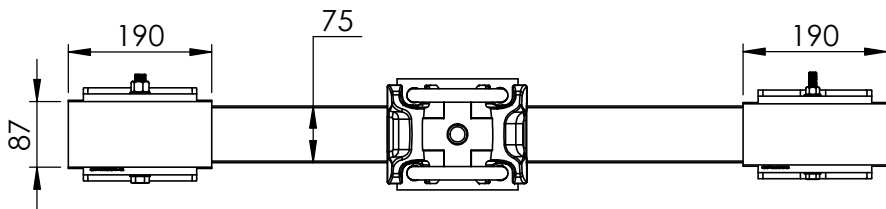
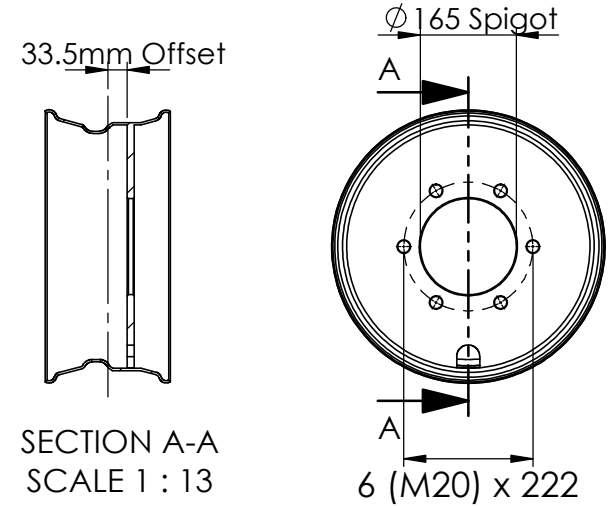
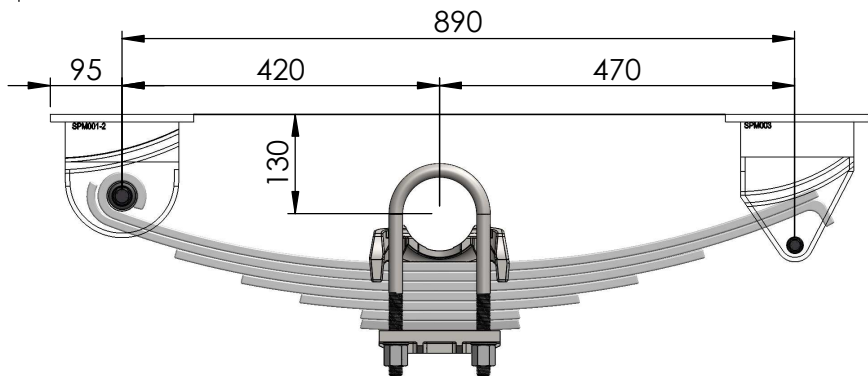
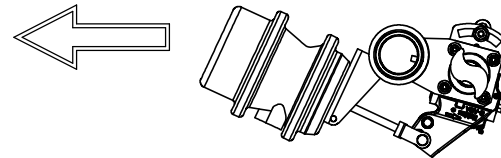


\*NOTE:  
THIS DIMENSION IS FOR A 33.5mm OFFSET RIM.



Cam Position



Tandem Axle Centres = 1157mm

Component	CTA No.
5T Axle	CTA-042912
Single Suspension	CTA-042866
Tandem Suspension	CTA-042867
Tri Suspension	CTA-042868

Gross axle load may be determined by ratings of tyres being used.

Technical Specifications		
	Size	Max Load Single Wheel
Tyre	235/75-17.5	2725
Rim	6x17.5	1500

**ADR 38/05  
COMPLIANT**

Drawn By:  
AD  
Dwg No:  
507  
Date:  
31/01/24

Description:  
5T Axle with Long Underslung  
Mechanical Suspension  
2270 Drum Face  
235/75 - 17.5

