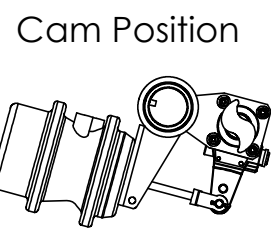
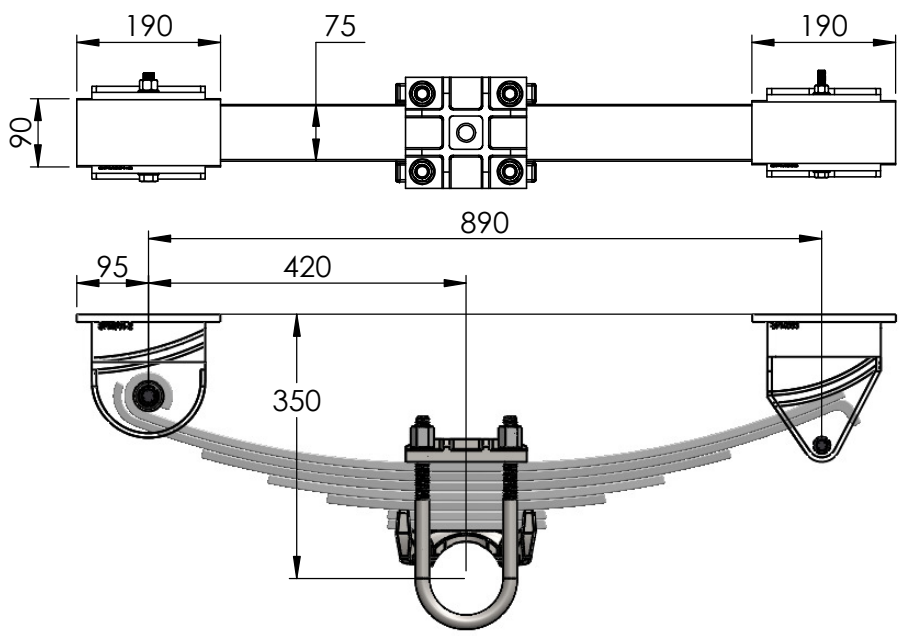
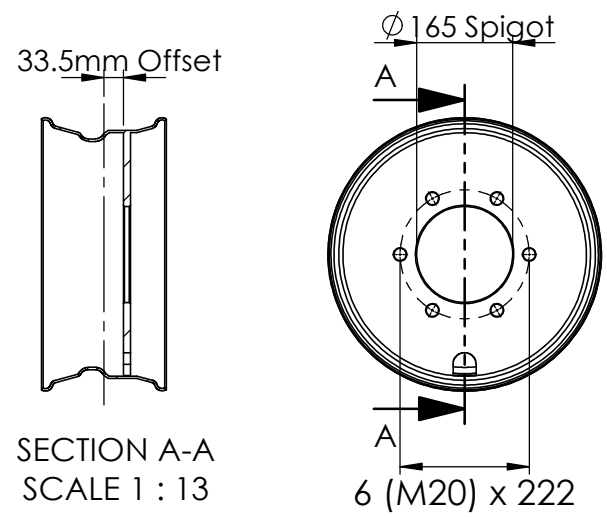


*NOTE:
THIS DIMENSION IS FOR A 33.5mm OFFSET RIM.



Component	CTA No.
5T Axle	CTA-042912
Single Suspension	CTA-042866
Tandem Suspension	CTA-042867
Tri Suspension	CTA-042868

Gross axle load may be determined by ratings of tyres being used.

Technical Specifications		
	Size	Max Load Single Wheel
Tyre	235/75-17.5	2725
Rim	6x17.5	1500

Tandem Axle Centres = 1157mm

**ADR 38/05
COMPLIANT**

Drawn By:
AD
Dwg No:
510
Date:
12/05/23

Description:
5T Axle with Long Overslung
Mechanical Suspension
2270 Drum Face
215/75 - 17.5

