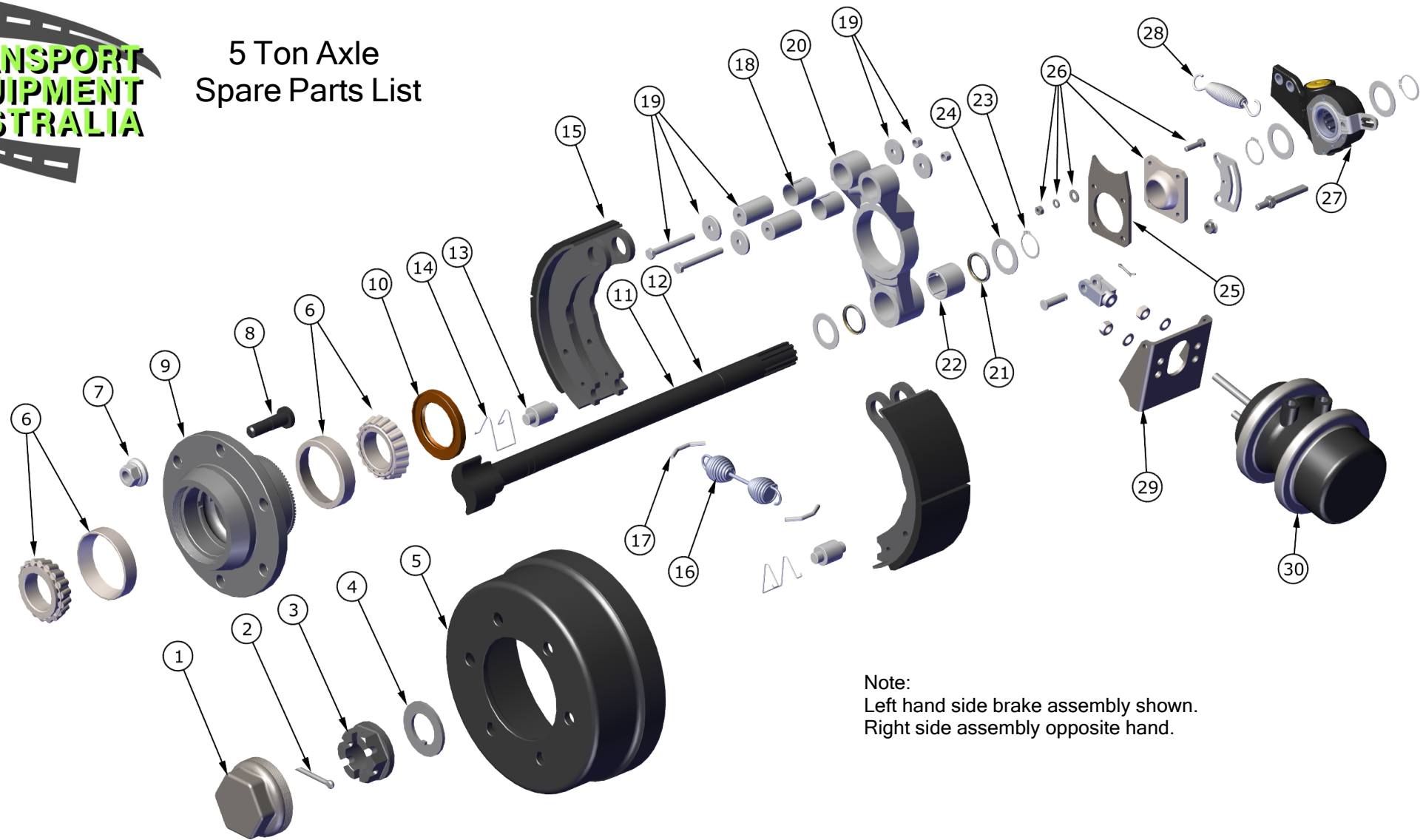


5 Ton Axle Spare Parts List



Note:
Left hand side brake assembly shown.
Right side assembly opposite hand.

BOM ID	Part Number	Description	Qty
1	AP5103-1	5T Hub Cap - Screw on	2
2	AP5101P	Castellated Axle Nut Split Pin	2
3	AP5101	5T Castellated Axle Nut	2
4	AP5102	5T Axle Washer	2
5	AP5107	5T Drum 6x222	2
6	AP5104	Bearing Cup & Cone Set	4
7	AP6111	Wheel Nut - M20 (suits 5T & 6T)	12
8	AP6108	Stud - M20 (suits 5T & 6T)	12
9	AP5108	5T Hub 6x222	2
10	AP5110	5T Dual Seal 75x110x12	2
11	AP6210	Camshaft - Left	1

BOM ID	Part Number	Description	Qty
12	AP6211	Camshaft - Right	1
13	AP6220	SCam Roller	4
14	AP6221	Roller Clip	4
15	AP6201	Brake Shoe Assy (311x100)	4
16	AP6205	Return Spring	2
17	AP6224	Pin Return Spring	4
18	AP6207	Anchor Pin Bush	4
19	AP6206	Anchor Pin Assy	4
20	AP6102	Brake Spider	2
21	AP6213	Camshaft Seal	4
22	AP6212	Camshaft Bush	2

BOM ID	Part Number	Description	Qty
23	AP6214	Camshaft Circlip	6
24	AP6215	Camshaft Washer	8
25	AP6217	Camshaft Mounting Bracket	2
26	AP6216	Cam Shaft Bush Mounting Kit	2
27	AP6219A	Auto Slack Adjuster Assy	2
28	AP6225	Slack Adjuster Return Spring	2
29	AP3124	Brake Booster Mounting Bracket	2
30	BCT1216EB	Brake Booster 12/16	2
31	AP5100	Brake Shoe Replacement Kit (13,14,15,16,17,18,19)	2