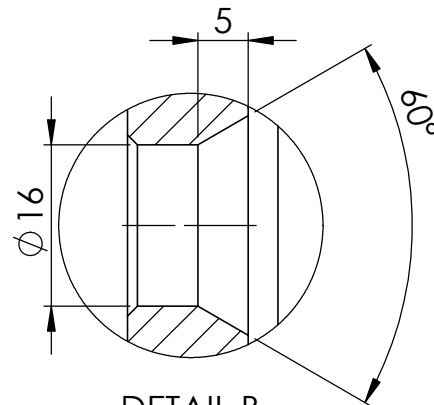
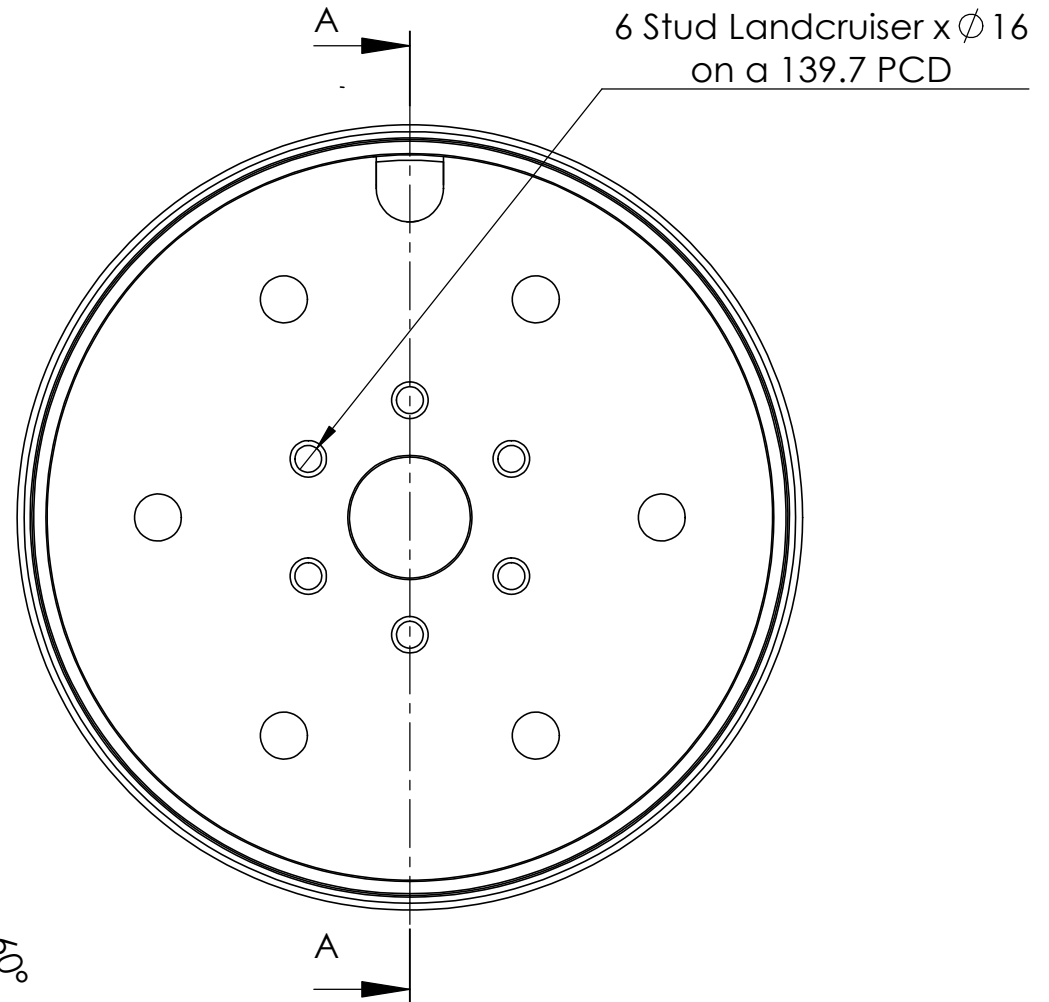


SECTION A-A  
SCALE 1 : 4.5



DETAIL B  
SCALE 2 : 1.5



Drawn By: AD	Description: 3T Wheel 17.5 x 6.0
Date: 22/03/23	Part No: W17.5 x 3T
Rev: Customer	Load Rating: 1500kgs

