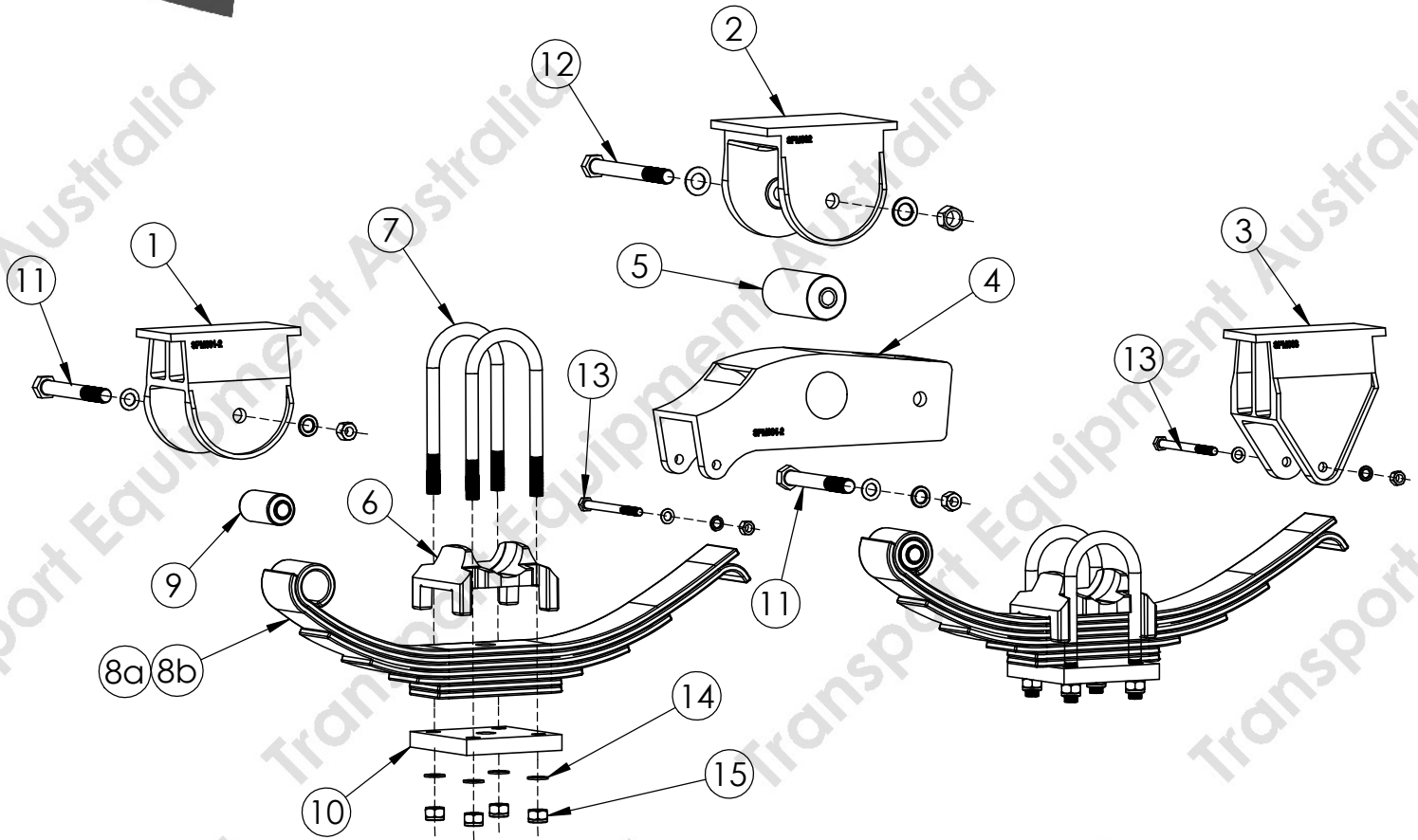


3 Ton Underslung Mechanical Suspension Parts List



Parts List

			CTA:	044315	044314	044313
Pos.	Part No.	Description	Single	Tandem	Tri	
1	SPM001-2	Front Hanger 18mm Bush	2	2	2	
2	SPM002	Center Hanger	-	2	4	
3	SPM003	Rear Hanger	2	2	2	
4	SPM004-2	Equaliser 18mm Bush	-	2	4	
5	SPM005	Equaliser Bush	-	2	4	
6	SPA2011	3T Axle Seat	2	4	6	
7	SPA2013	U-Bolt M16x200	4	8	12	
8a	SPM013	3T Short Spring Pack	2	4	6	
8b	SPM009-2	3T Long Spring Pack	2	4	6	
9	SPM011-18	Bush for Spring Eye 18mm	2	4	6	
10	SPM020	3T U-Bolt Plate 20mm	2	4	6	
11	SPM023A	Spring Eye Bolt Assy M18x150	2	4	6	
12	SPM015A	Equaliser Bolt Assy M18x185	-	2	4	
13	SPM018A	Spring Keeper Bolt Assy M10x140	2	4	6	
14	WA0361	Flat Washer Hardened M16	8	16	24	
15	SPA3005	Nyloc Nut M16	8	16	24	