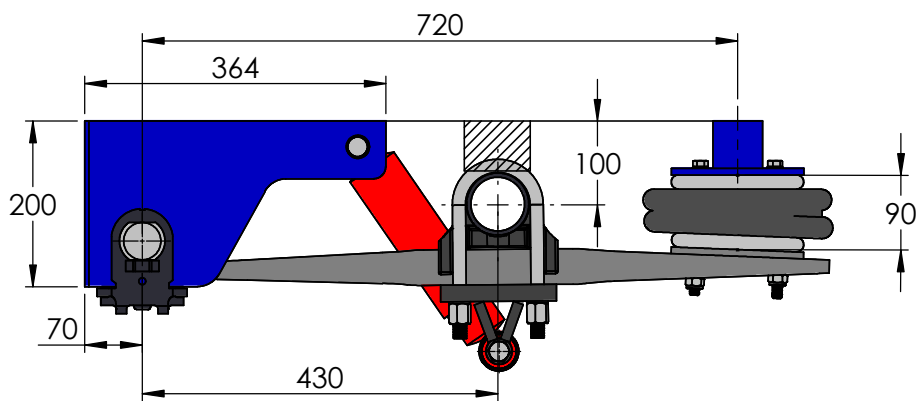
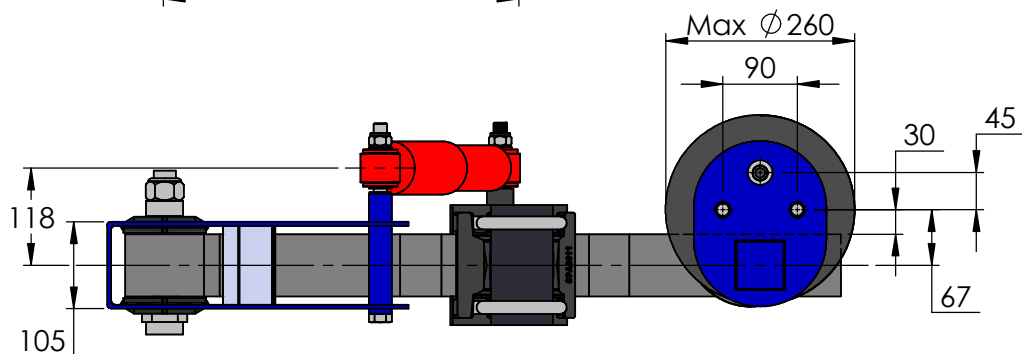


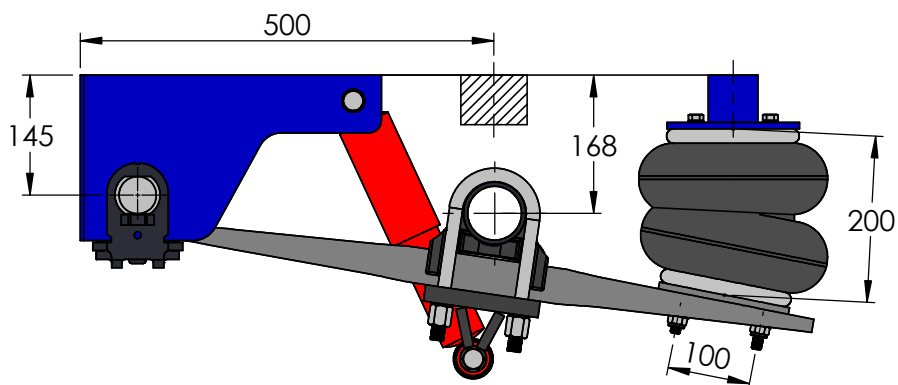
BUMP



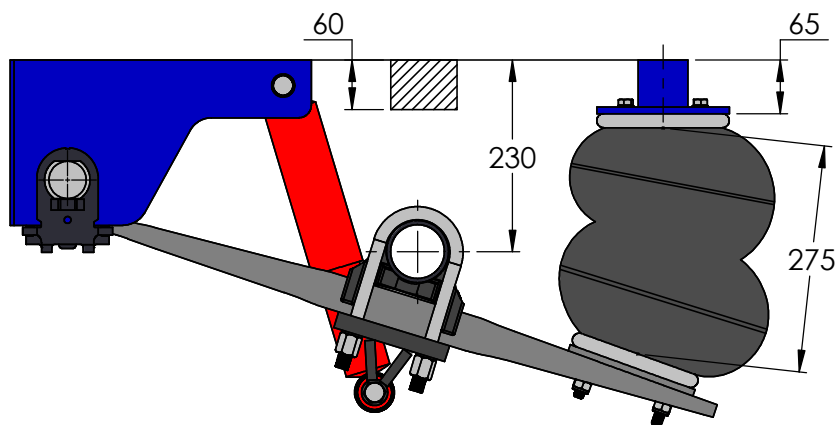
OVERVIEW



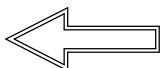
RIDE HEIGHT



MAXIMUM



Forward



CTA No.	
Single	CTA-042866
Tandem	CTA-042867
Tri	CTA-042868
Quad	CTA-048689

**ADR 38/05**  
COMPLIANT

Drawn By: AD
Dwg No: 305
Date: 1/08/22

Description:  
3T Underslung  
Air Suspension

