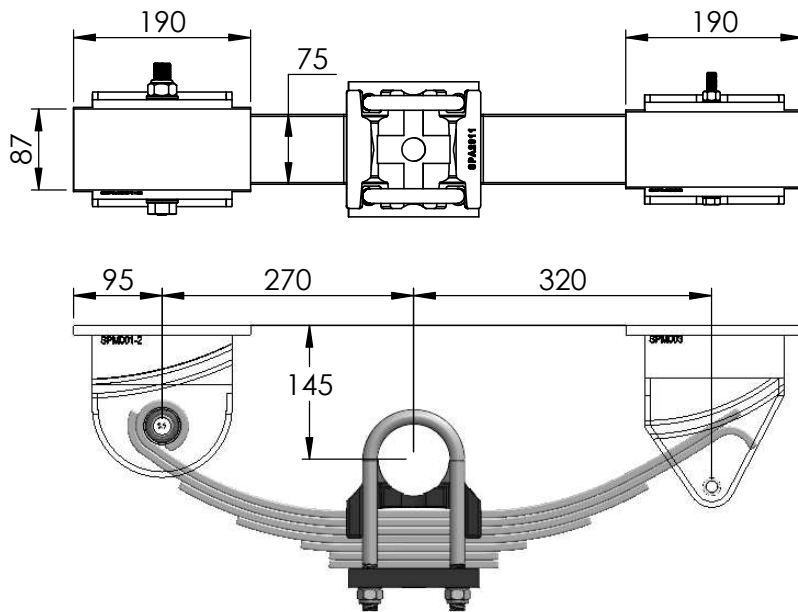
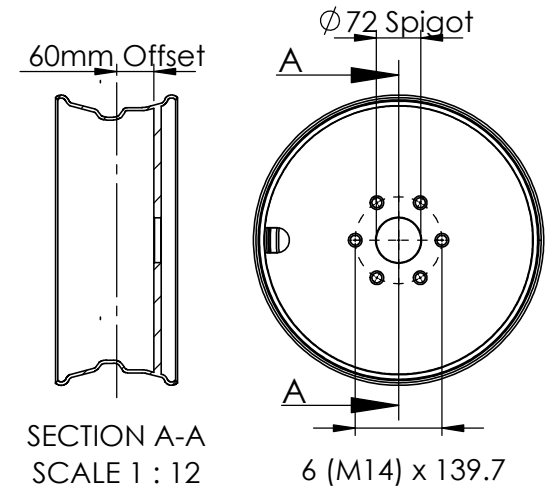


*NOTE:
THIS DIMENSION IS FOR
60mm OFFSET RIM.



Component	CTA No.
3T Axle	CTA-042865
Single Suspension	CTA-042866
Tandem Suspension	CTA-042867
Tri Suspension	CTA-042868

Gross axle load may be determined
by ratings of tyres being used.

Technical Specifications		
	Size	Max Load Single Wheel
Tyre	215/75-17.5	2000
Rim	6x17.5	1500

**ADR 38/05
COMPLIANT**

Drawn By:
AD
Dwg No:
314
Date:
3/10/22

Description:
3T Axle and Underslung
Mechanical Suspension
2370 Drum Face
215/75 -17.5

