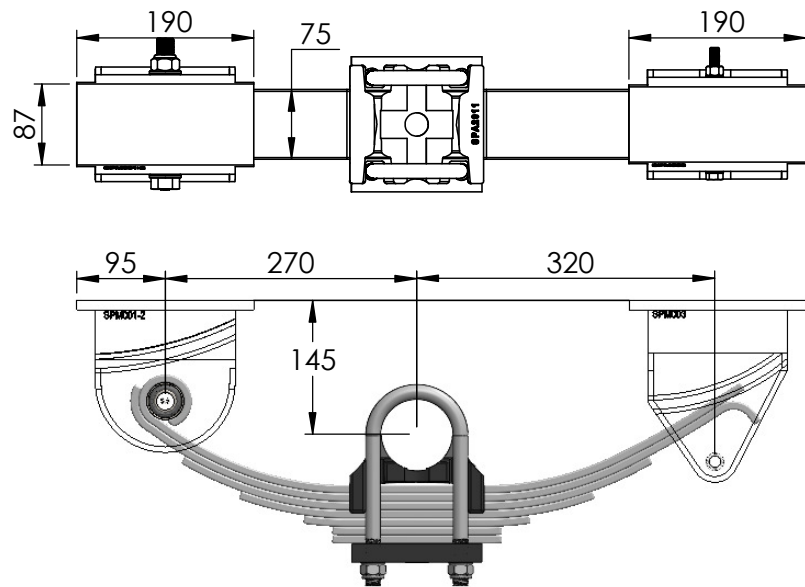
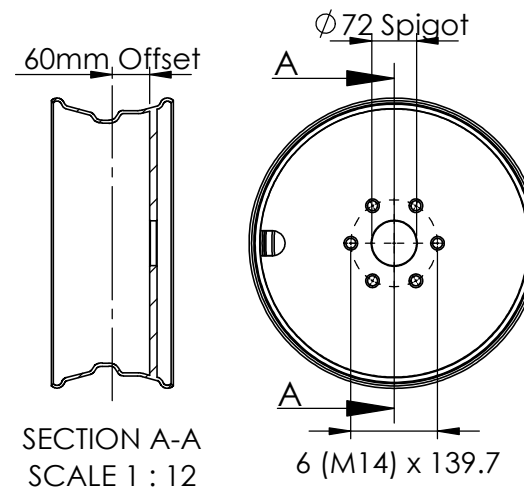
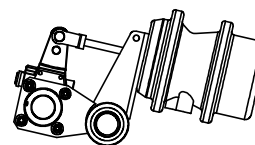


*NOTE:
THIS DIMENSION IS FOR
60mm OFFSET RIM.



Cam Position

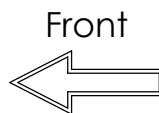


Mechanical
Suspension only

Component	CTA No.
3T Axle	CTA-042865
Single Suspension	CTA-042866
Tandem Suspension	CTA-042867
Tri Suspension	CTA-042868

Gross axle load may be determined by ratings of tyres being used.

Technical Specifications		
	Size	Max Load Single Wheel
Tyre	215/75-17.5	2000
Rim	6x17.5	1500



**ADR 38/05
COMPLIANT**

Drawn By: AD	Description: 3T Axle and Underslung Mechanical Suspension 2070 Drum Face 215/75 -17.5
Dwg No: 316	
Date: 12/08/22	

