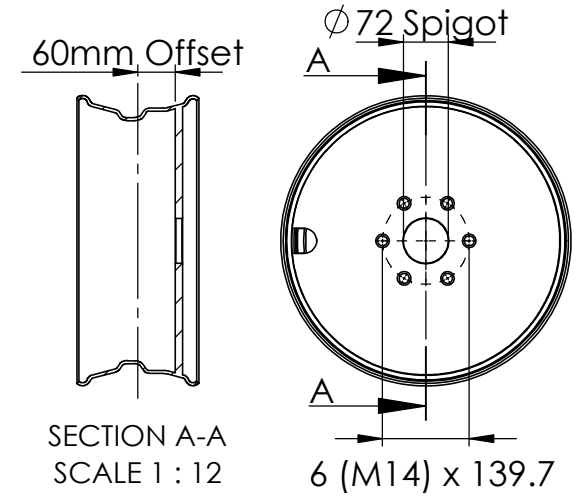


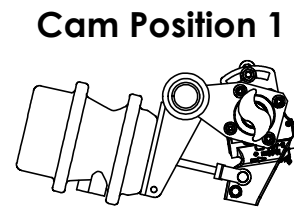
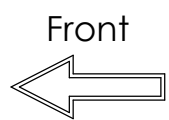
*NOTE:
THIS DIMENSION IS FOR 60mm
OFFSET RIM.



| | |
|---------|------------|
| CTA No. | CTA-042865 |
|---------|------------|

Gross axle load may be determined by ratings of tyres being used.

| Technical Specifications | | |
|--------------------------|-------------|-----------------------|
| | Size | Max Load Single Wheel |
| Tyre | 215/75-17.5 | 2000 |
| Rim | 6 x 17.5 | 1500 |



Suggested Cam positions

ADR 38/05
COMPLIANT

| | |
|------------------|--|
| Drawn By: AD | Description: 3T Axle 2370 Drum Face 215/75 - 17.5 |
| Dwg No: 312 | |
| Date: 3/10/22 | |

