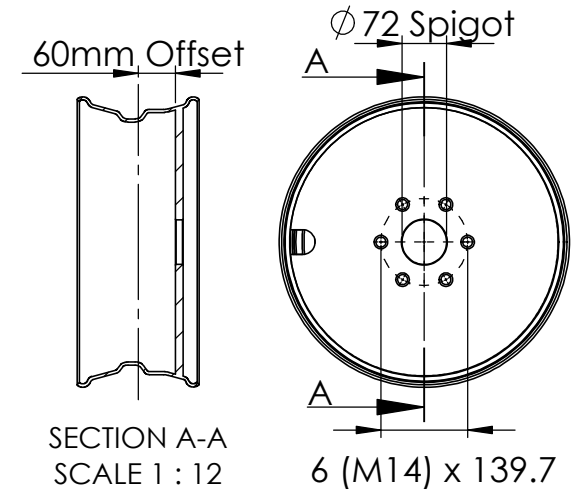
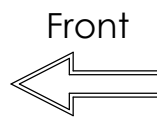


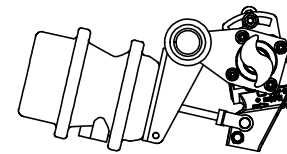
*NOTE:
THIS DIMENSION IS FOR 60mm
OFFSET RIM.



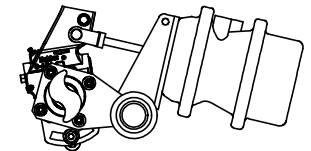
SECTION A-A
SCALE 1 : 12



Cam Position 1



Cam Position 2



Suggested Cam positions

CTA No.	CTA-042865
---------	------------

Gross axle load may be determined by ratings of tyres being used.

Technical Specifications		
	Size	Max Load Single Wheel
Tyre	215/75-17.5	2000
Rim	6 x 17.5	1500

**ADR 38/05
COMPLIANT**

Drawn By: AD	Description: 3T Axle 2220 Drum Face 215/75 - 17.5
Dwg No: 309	
Date: 3/10/22	

