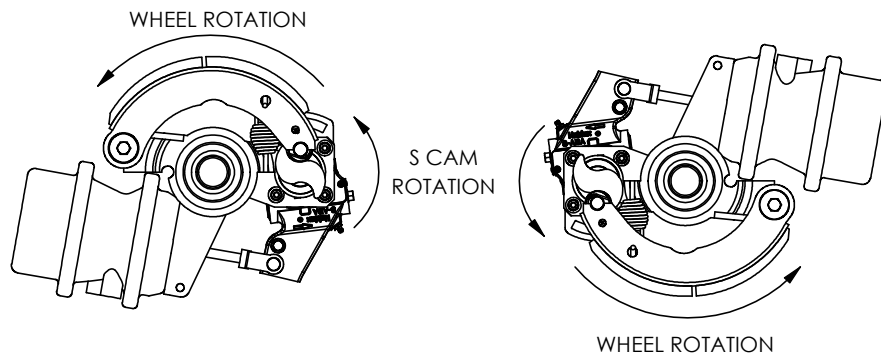
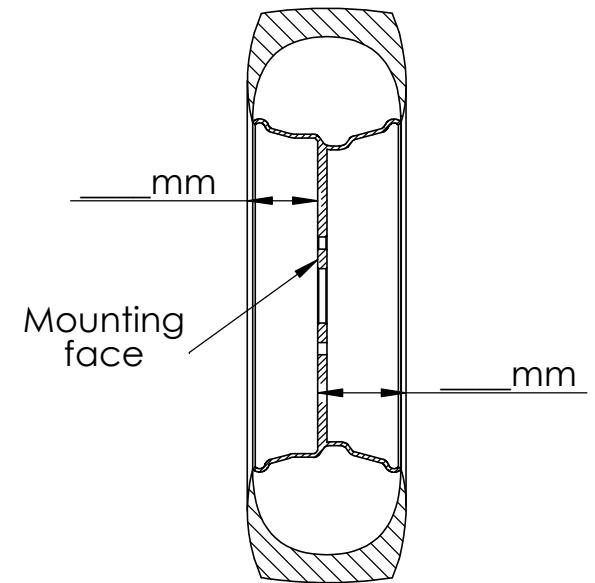
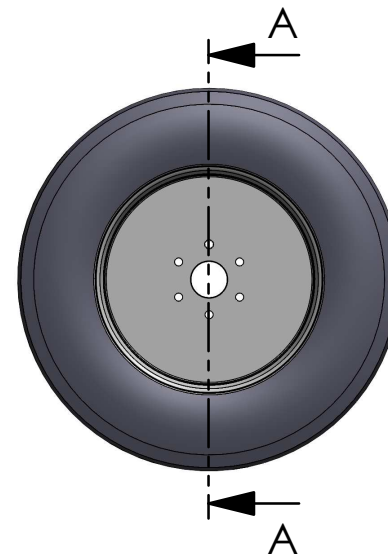


Send to TEA	sales@transportequip.com.au
Customer Name:	
Contact:	
Phone no:	



Cam rotation to follow wheel rotation.



SECTION A-A
SCALE 1 : 10

Both measurements to be take from the mounting face.

<p>3T Axle Identification Sheet 25/03/24</p>	
--	--