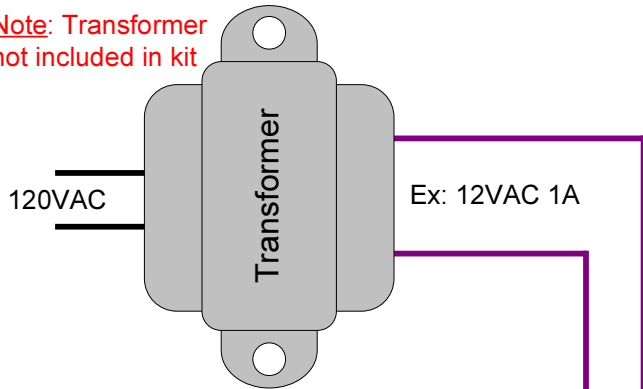
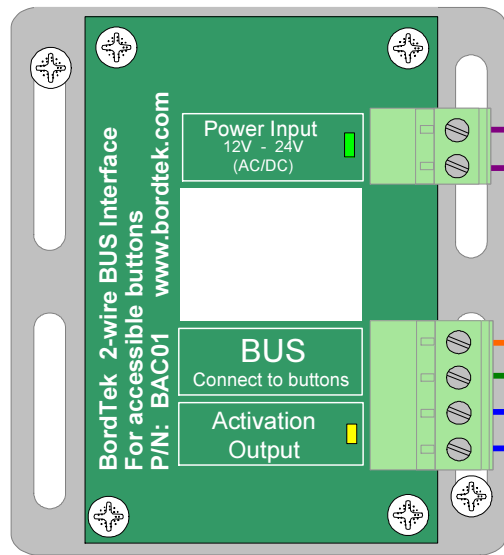


BAC01 2-wire BUS Interface Control (Wiring diagram for doors without a lock)

Note: Transformer not included in kit



Part number: BAC01



Power Input Requirement
12 - 24 V(AC/DC) 0.5A

Part number:
BAA10-001-S
BAA10-001-B



Part number:
BAA10-001-S
BAA10-001-B



Color	During
Blue	Normal state
Green	Activation

To door operator activation
(Activation and common signals)

BordTek Controls Inc

BAC01 2-wire BUS Interface

Date: FEB 10,2023

Revision: 01