

Zigbee Smart Water Heater Switch User Manual



Alexa TUTORIAL Google Home TUTORIAL

Notes Before Installation

1. Wi-Fi only support a 2.4GHz network (802.11 b/g/n)
2. Only support one way/single pole circuit, not compatible with 2-way
3. With Neutral wire or without Neutral wire.
4. Basic electrical wiring knowledge or experience is required, or please consult to a professional electrician
5. ON/OFF button also can be used as reset button. Long press to reset your smart switch to factory defaults only do this if you are sure you want to erase all your settings

1

1. Download App and Register

- 1.1 How to download App?
Scan the QR code below or search for "Smart Life" in the IOS APP store or Google play.

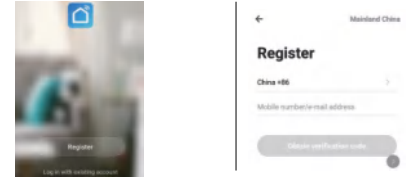


IOS & Android System

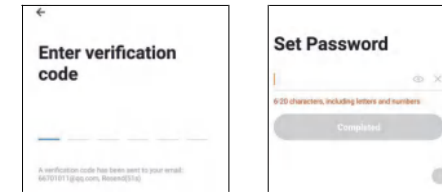
2

1.2 Setting Smart Life APP, How to Register and Login?

Download or Scan the QR Code and install Smart Life App. Once download or Scan the QR Code, register your account.



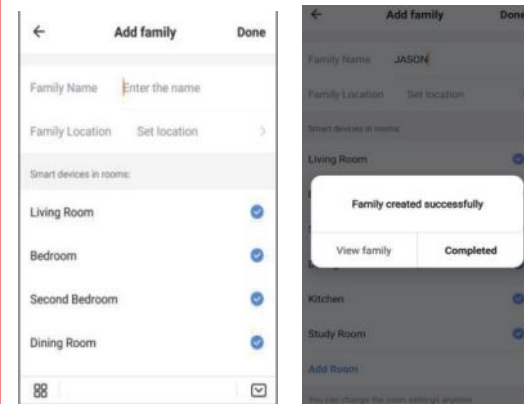
- 1.3 Enter your phone number or email which you prefer and select the country you live in. Obtain verification code. Enter verification code. Set Password.



3

1.4 Create "Family"

Enter the family name and select the room. Family created successfully.

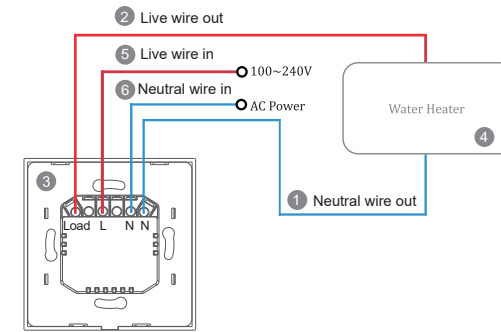


4

2. Wiring Diagram

2a. EU Touch Smart Water Heater Switch.

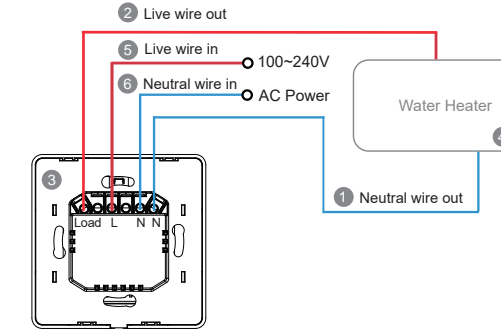
- 1-Neutral wire out.
- 2-Live wire out.
- 3-Switch.
- 4-Water Heater.
- 5-Live wire in.
- 6-Neutral wire in.



5

2b. EU Physical Smart Water Heater Switch.

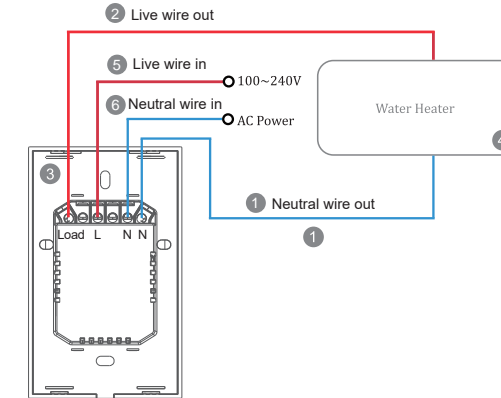
- 1-Neutral wire out.
- 2-Live wire out.
- 3-Switch.
- 4-Water Heater.
- 5-Live wire in.
- 6-Neutral wire in.



6

2c. US Touch Smart Water Heater Switch.

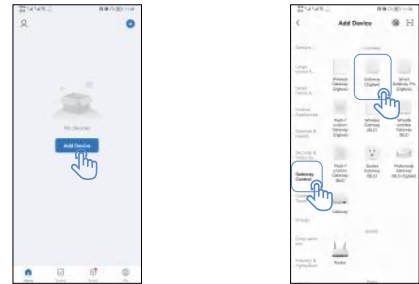
- 1-Neutral wire out.
- 2-Live wire out.
- 3-Switch.
- 4-Water Heater.
- 5-Live wire in.
- 6-Neutral wire in.



7

3. How does APP connect with smart gateway device fast ?

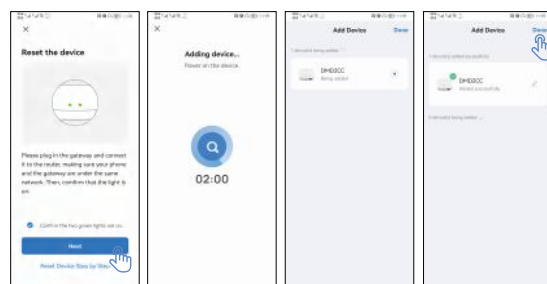
1. Open the application, click "Add Device", click " Gateway Zigbee Control ", then click " Gateway Zigbee ".



8

2. Please reset gateway device, press the reset button for a long time until the indicator light (green light) is on continuously.

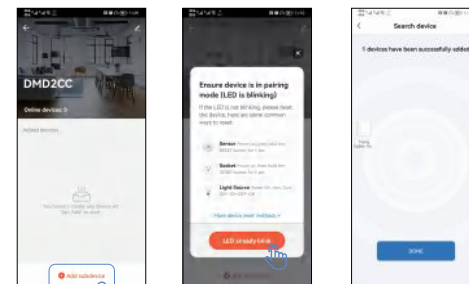
3. First click " confirm the two green lights are on ", then Click " Next ", make sure the cellphone and gateway in the same network, so APP could connect with the gateway device.
4. Device added successfully, click " Done ".



9

4. Smart gateway and APP connection complete, how to connect to the switch

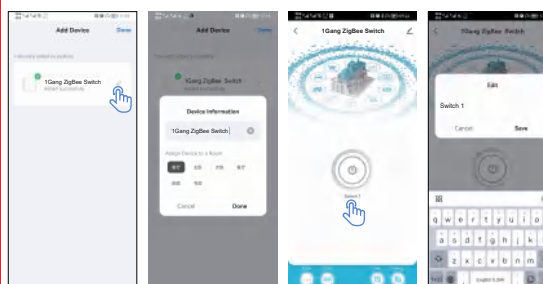
1. Make sure the switch is electrified, Press any switch button for 10 second until the Wi - Fi red light flashes rapidly.
2. After the smart Gateway is connected to the APP, click " Add subdevice " and then click " LED already blink ".



10

3. Device connecting automatically, then click device added successfully, Rename the device and select the room then tap completed.

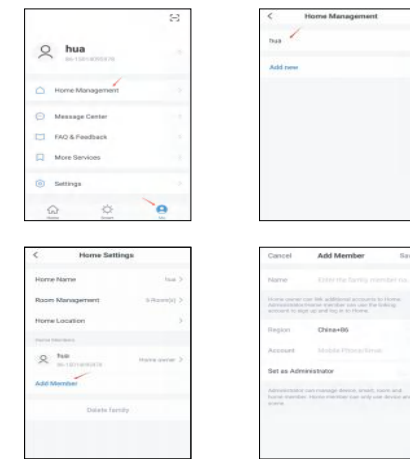
- (Attention : The name should use numeric and letters, do not use special symbols).
4. Click the switch name below the switch icon to edit the switch name. (Attention : The name should use numeric and letters, do not use special symbols)



11

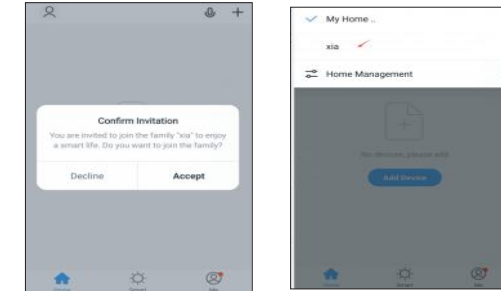
Attention : Zigbee Gateway can only be connected to one account, then, co-manage by adding more than one family member.

- How do I add family members ?
Add step : Click on the bottom right corner " Me " → Click on " Home Management " → Click on the name of the family you have created → Into my family → Click on " Add Member ", enter the name and account number of the member → Members can be set as administrators → Click Save → Member added successfully.



12

The application that adds a member will pop up a window → Whether or not to accept the invitation → Click accept the invitation → Back to main page " My home " → Click on the top left corner to switch to the main family name .



13

THANK YOU