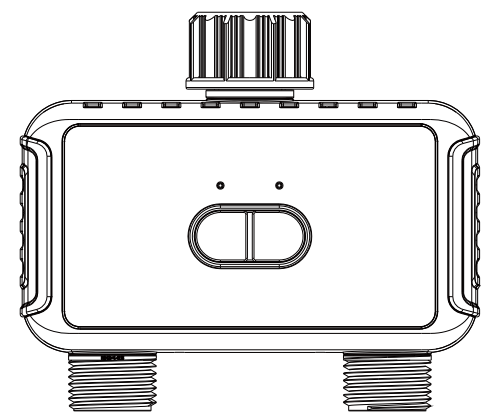


# Instruction Manual Smart Dual Water Timer



English



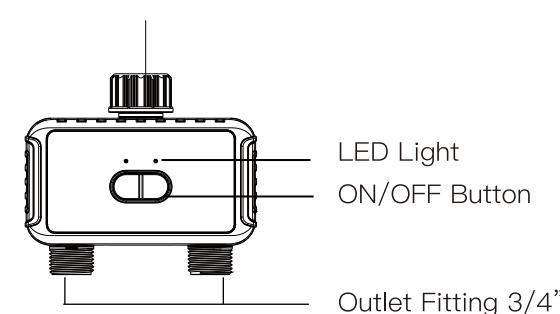
- Bitte scannen Sie den QR-Code, um das deutsche Handbuch, das Installationsvideo und die Funktionseinführung zu erhalten
- Escanee el código QR para obtener el manual en español, el video de instalación y la introducción de la función
- Veuillez scanner le code QR pour obtenir le manuel en français, la vidéo d'installation et l'introduction des fonctions
- Отсканируйте QR-код, чтобы получить руководство на русском языке, видео по установке и описание функций
- Scansionare il codice QR per ottenere il manuale in italiano, il video di installazione e la guida alle funzionalità. Video di installazione e funzionalità
- Leia o código QR para obter o manual em português, o video de instalação e a introdução das funções
- Zeskanuj kod QR, aby uzyskać instrukcje, filmy instalacyjne i funkcje
- من فضلك قم بمسح رمز الاستجابة السريعة (QR-code) للحصول على دليل المستخدم باللغة العربية وفيديو التثبيت ووصف للوظائف



请扫描二维码获取中文的说明书、安装视频及功能介绍

## Product Description

Hose Faucet Connection



## Specification:

Bluetooth Range	49.2ft without interference
Working Water Pressure	7.25-116 psi
Working Temperature	40.1°F-113°F(4.5°C-45°C)
Rain Delay Time	1 day and up to 7 days
Waterproof	IPX5
Battery	4x AA alkaline batteries

## Initial Water Timer Setup

### 1 Insert 4x AA Batteries

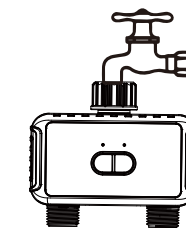
1. Remove the tray on the back of the timer by sliding or pulling it out.
2. Insert four AA (1.5V) alkaline batteries and replace the tray.

#### ! Note:

Please do not mix alkaline, standard (carbon-zinc), or rechargeable batteries.

### 2 Install the Timer

Connect the timer to an outdoor hose faucet. Your timer is now ready to be used with any product that can be attached to a standard hose faucet.



#### ! Note:

Do not place the timer in an underground valve box or anywhere your Bluetooth signal will be obstructed.

### 3 Turn on Your Water

The water must remain on for the timer to work properly.

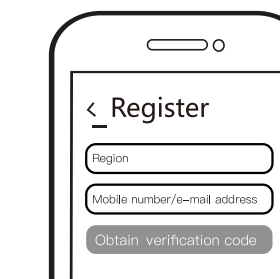
## Preparation for Use

### 1. Download Smart Life APP



Please scan the QR code or download Smart Life on App store

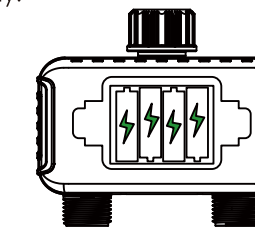
### 2. Registration or Log in.



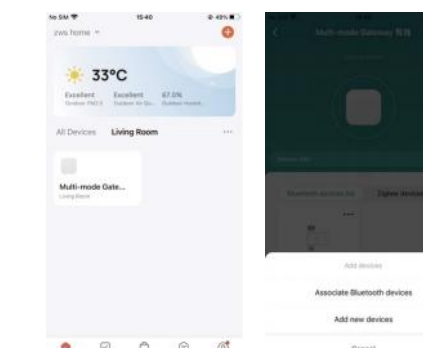
- Download "Smart Life" Application
- Enter the Register/Login interface; tap "Register" to create an account by entering your phone number to get verification code and "Set password". Choose "Log in" if you already have a Smart Life account.

## Add Device

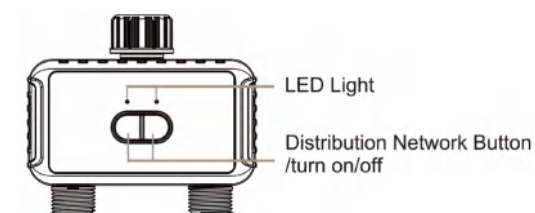
1. Slide or pull out the tray on the back of the device to remove it. Insert four AA (1.5V) alkaline batteries and install the tray.



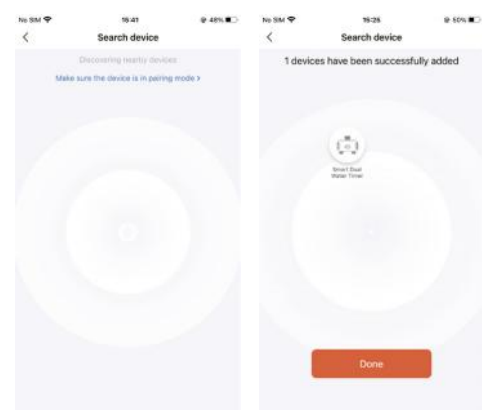
2. Open the MOES APP, make sure that the Bluetooth gateway/wired multimode gateway is connected to the APP, enter the gateway and click "Add new devices".



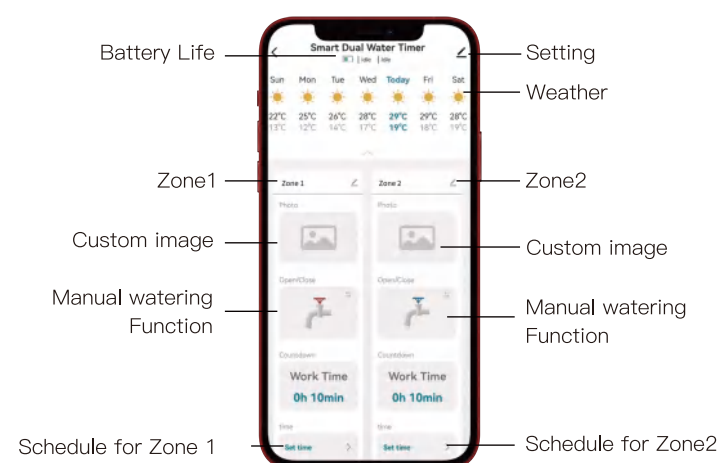
3. enter configuration mode Press and hold one of the "on/off buttons" for more than 6 seconds until the two green lights flash quickly at the same time, and the water valve timer enters pairing mode.



4. Wait for 10-120 seconds. After adding the device successfully, you can edit the device name.



5. Now you can set "smart scene linkage" according to your needs and enjoy your smart home life.



## Additional Water Timer Features

### 1 Manual Watering

Your timer has the ability to allow you to manually water without disturbing the programmed schedule. Manual is used to test equipment, run an extra watering cycle in an area, or to use the hose faucet without removing the timer.

Click the button to activate manual watering. Using the app you can click to set how long you want manual watering time to run for the "work time", also remaining watering time will be displayed.

### 2 Stop Watering

You can stop the flow of water at any time whether it is during manual watering, or during a programmed time. Click the button once again to stop watering. (NOTE: icon without water droplets)

### 3 Rain Delay Function

The rain delay function allows you to postpone watering for 1 day and up to 7 days due to rain or when the ground is already wet. Click the button to activate manual watering. Using the app you can click set how long you want the preset rain delay feature.

## Troubleshooting

Q1: Why the Bluetooth water timer didn't turn on/off at preset time?

#### A1:

- Programming is incorrect
- Water pressure is too low
- Particles of dirt or debris stuck in valve
- More than one start time is programmed with overlapping schedules
- Manual watering is on
- Faulty valve
- The batteries were low
- The faucet is off

Q2: Why Bluetooth keeps dropping connection?

#### A2:

- The Bluetooth of water timer is currently in sleep mode, please wait 5-10 seconds, the device will automatically reconnect. Or scroll down to refresh the home page of the APP, or disconnect the Bluetooth from your phone and turn it on again
- If the device has been connected by other mobile phones, please disconnect first.
- Make sure the device battery is charged and place the phone as close to the device as possible.
- Please note that you don't need to stay connect once you setup your schedule. The device will always keep your watering settings and work automatically according to the schedule.

Q3: Why is the water valve out of little water?

#### A3:

If your are gravity feed system such as rain barrel system, then it won't work and will keep low water pressure. Gravity feed has no real pressure when dealing with a rain barrel. It needs pressure measuring.

## Warm Tips

- The best range for connection and control is within 49.2ft in the open area.
- The bluetooth water timer does not support Alexa & Google voice or remote control.
- Do not use your timer when the air temperature is below 40°F(4.5°C), the timers should be removed from the hose faucet and stored indoors to avoid potential frozen damage.
- Filter can trap dirt particles, please clean filter regularly and replace if worn.
- Please replace batteries when the low battery indicator appears the display. When replacing the power unit, please make sure that the water timer is dry.
- To prevent leakage, make sure that the water timer is tightly attached to the faucet and hose, add rubber washer and thread seal tape if necessary!

#### ! Note:

- (1) The water flow is reduced by half when the two zones are turned on at the same time.
- (2) The water flow in two zones may be different if you turn on one zone first and then turn on the other zone.