



IMPORTANT! WARRANTY AND INSTALLATION INSTRUCTIONS

Please Forward All Information to Consumer

Be sure to review the enclosed instructions prior to beginning the installation process. If you have any questions about the enclosed parts or instructions, or if you encounter a problem during installation:

CALL TECHNICAL SUPPORT: 440.891.0999 or 800.486.0999

COLOR INSTRUCTIONS ARE AVAILABLE BY PART NUMBER ON:

VOLANT.COM



NEVER work on a hot engine bay.

Allow time for the vehicle to cool.

INSTALL DIFFICULTY



RECOMMENDED TOOLS & SUPPLIES

- Flathead Screwdriver
 - 1/4" Ratchet
 - Ratchet Extension
 - 8mm Socket
 - 10mm Socket
 - Philips Head Screw Driver
-

2019+ DODGE RAM 1500 5.7L

MAXFLOW 5 / POWERCORE, CLOSED BOX AIR INTAKE.

Part #: 16557, 165576



Please take time to read and understand these installation instructions.

Volant recommends that the installation of this system be performed by a qualified service center or professional installer who has the necessary equipment, tools, and experienced personnel. However, if you decide to perform this installation yourself, the use of an additional person may be required.

WARNING: Never work on a hot engine bay. Allow time for the vehicle to cool.

Check that this air intake complies with your Federal, State, and Local laws. We recommend saving your stock system.

This warranty does not extend to damaged or defect in the finish of a product or to any product, that in the opinion of Volant Performance, has been misused, damaged by accident or negligence, altered or modified in any way, faulty installation or installed contrary to Volant installation instructions, or repaired by an unauthorized service facility.

Full warranty available on <http://www.volant.com>

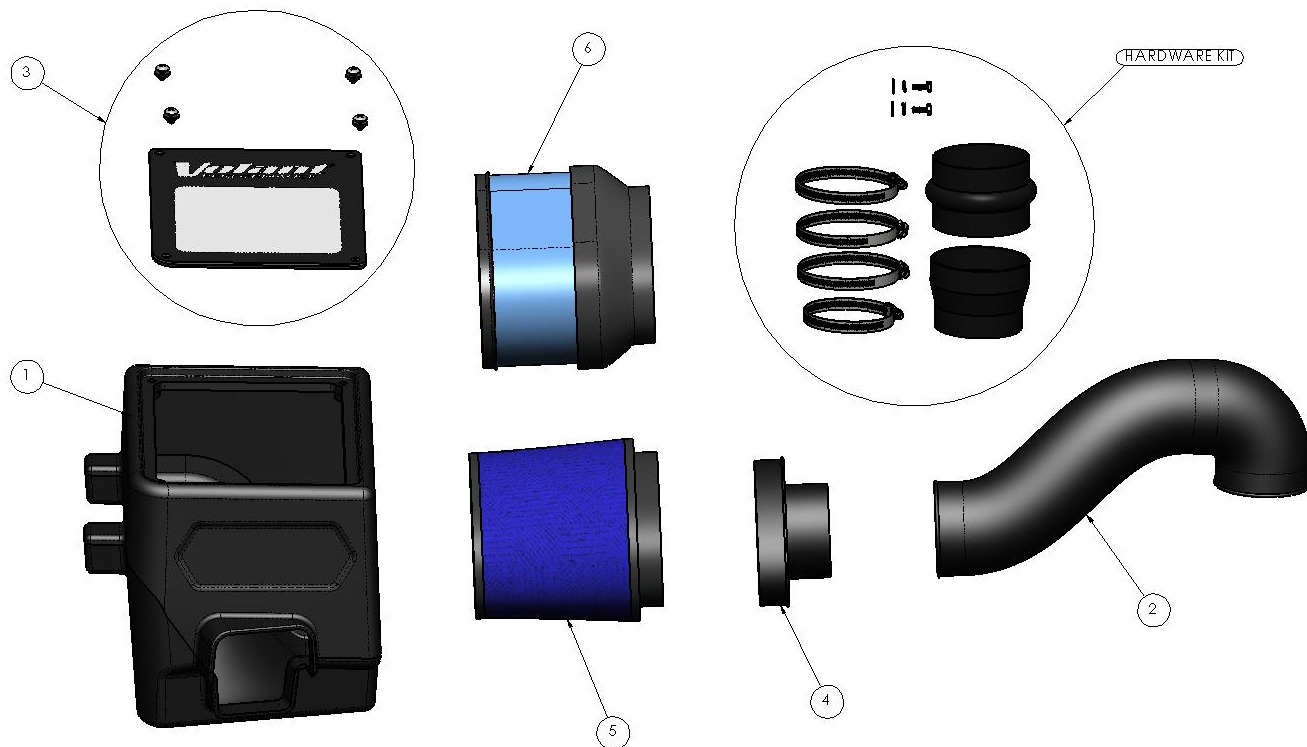
2019+ DODGE RAM 1500 5.7L

MAXFLOW 5 / POWERCORE, CLOSED BOX AIR INTAKE.

Part #: 16557, 165576



Please confirm that all parts are present according to the bill of materials before beginning the installation.



PREASSEMBLED MATERIALS

1 - VOLANT AIRBOX (P/N 412223)	1	2 - VOLANT AIR DUCT (P/N 441308)	1	3 - LID ASSEMBLY (P/N 652082)	1
Grommets (P/N 59045101)	4	Grommet (P/N 59045101)	1	Lid Screws (P/N 5900)	4
		Valve Vent Fitting (P/N 59034138)	1	Lid Rubber Washers (P/N 59025122)	4
4 - FILTER ADAPTER (P/N 462160)	1			Vinyl Pack (P/N 652057)	1

HARDWARE KIT

3.5" Clamp (P/N 52056)	1	4" to 3.5" Reducer (P/N 53310)	1	Adapter Lock Washer (P/N 59020114)	2
4" Clamps (P/N 52064)	3	Adapter Bolt (P/N 59012210)	2		
Hump Hose (P/N 53206)	1	Adapter Flat Washer (P/N 59020104)	2		

FILTER OPTIONS

5 - MaxFlow 5 Filter (P/N 5144)

6 - PowerCore Filter (P/N 61503)

*Locate the vehicle's battery and disconnect the negative battery cable.
This may reset the computer and clear old air flow data to help prevent CEL errors.*

REMOVAL INSTRUCTIONS

FACTORY INTAKE



1. Unplug the air temperature sensor harness from the stock intake tube.



2. Unplug the crank case vent hose by pressing the grey tab and gently pulling away.



3. Loosen the stock clamp at the throttle body using an 8mm socket & ratchet and remove the stock intake by pulling up on the box and the duct.



4. Carefully lift the tab and turn the factory air temperature sensor in the stock grommet to unclip it from the duct.

Continued on Next Page . . .

REMOVAL INSTRUCTIONS

FACTORY INTAKE



5. Gently remove the air temperature sensor from the factory air duct and keep it aside for installation of your Volant Cold Air Intake.

This concludes the removal of the factory intake.

INSTALLATION INSTRUCTIONS

VOLANT INTAKE



1. Carefully insert the stock air temperature sensor into the Volant air duct. **NOTE: The use of soapy water solution on the inside of the grommet might help to insert the sensor.**
2. Turn the sensor such that the sensor clip for the harness is facing the arrow in the duct.



3. Insert the adapter into the filter (Maxflow 5 or Powercore).

Continued on Next Page ...

INSTALLATION INSTRUCTIONS

VOLANT INTAKE



4. Tighten the clamps on the filter using a 8mm socket and ratchet.



5. Insert the filter into the box and turn the filter adapter to align the holes on the box with the threads in the adapter.

Continued on Next Page ...

INSTALLATION INSTRUCTIONS

VOLANT INTAKE



6. Assemble the included screw, washer and lock washer.



7. Secure adapter to airbox with the hardware assembly from step 6 using a 10mm socket and ratchet.



8. Align the four grommets in the Volant box to the four mounting points in the car as shown.



9. Press the box into the mounting points until fully seated.

Continued on Next Page . . .

INSTALLATION INSTRUCTIONS

VOLANT INTAKE



10. Insert the 3.5" Clamp onto the small end of the reducer.



11. Insert the reducer with the clamp onto the throttle body and tighten the clamp using a 8mm socket and ratchet.



12. Insert another 4" clamp onto the other end of the reducer as shown.



13. Insert a 4" Clamp onto one end of the hump hose and slide it onto the duct.

Continued on Next Page ...

INSTALLATION INSTRUCTIONS

VOLANT INTAKE



14. Insert the last 4" Clamp onto the other end of the hump hose and slide the duct onto the box assembly.



15. Slide the other end of the duct into the reducer on the throttle body,.



16. Plug in the air temperature sensor making sure that the sensor doesn't get rotated.



17. Connect the crank case vent hose to the fitting until it clicks.

Continued on Next Page . . .

INSTALLATION INSTRUCTIONS

VOLANT INTAKE



18. Put the lid & gasket assembly on the box.



19. Tighten the screws using a Philips head screwdriver.

DO NOT OVER TIGHTEN

This concludes the installation of your Volant Cold Air Intake.

*Check that this air intake complies with your Federal, State and Local laws.
We recommend saving your stock system.*

BEFORE ROAD TESTING

1. Start engine, leaving the transmission in park and securing the parking brake.
2. Make sure to look and listen for any unusual noises or air leaks. Repair problems if needed.
3. Once completed it will be necessary to check periodically, after a few heat cycles, for realignment and tightening of all connections.

MaxFlow 5 CARE AND CLEANING

Check the MaxFlow 5 cotton reusable filter periodically and remove any excessive dirt build-up by tapping the filter on the ground and brushing off the loosened dirt. Clean the filter by using a two stage cleaning kit to thoroughly clean and re-oil the filter. Re-oil every 10,000 miles without cleaning to improve filtering in sand and dirt. Clean only when dirt is very excessive or 50,000 miles.

Reference for Replacement Filters: MaxFlow 5 Filter Part # 5144 or PowerCore® Filter Part # 61503