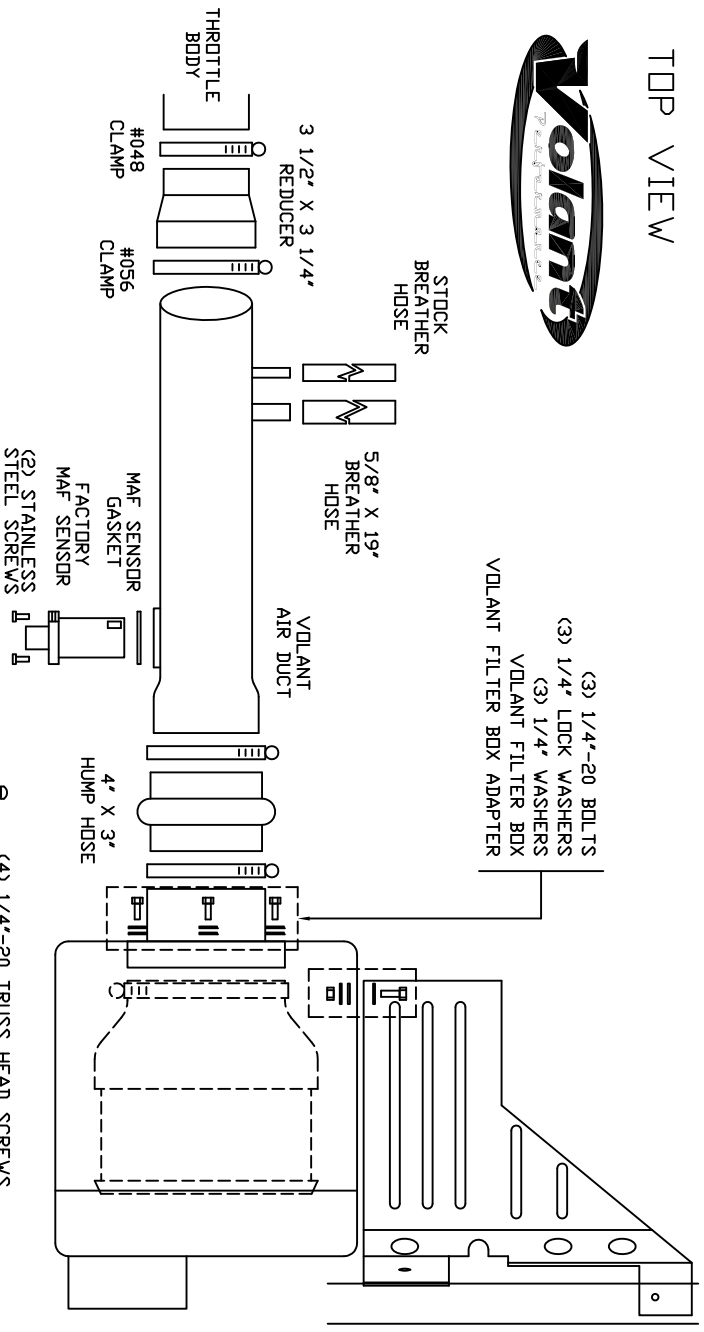


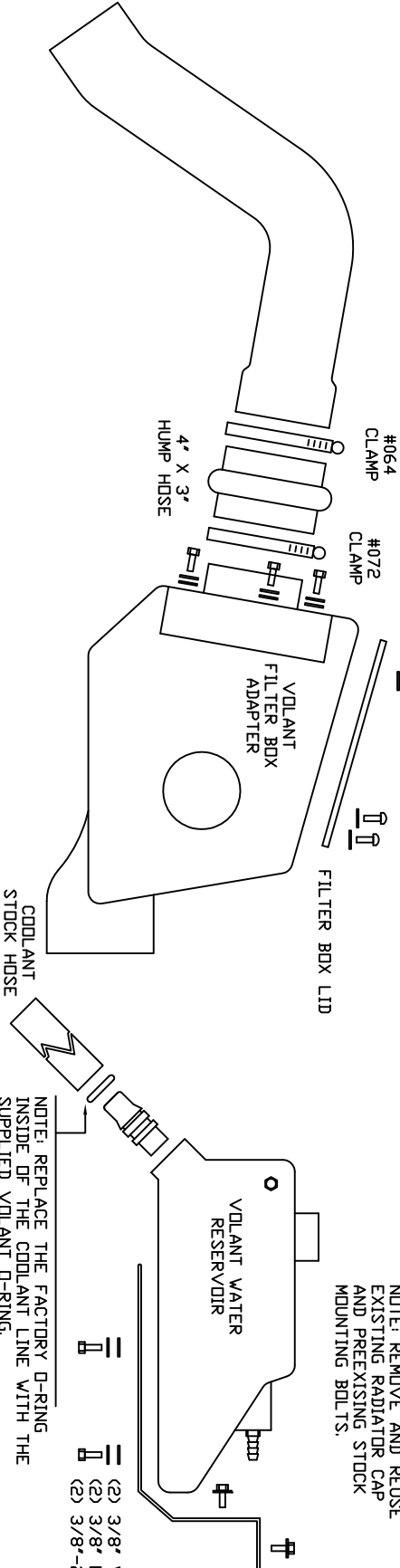
VOLANT COOL AIR INTAKES  
 PART NO.: 196376  
 INSTALLATION INSTRUCTIONS  
 WWW.VOLANT.COM  
 TECH SUPPRT: (909) 481-3888

196376 PARTS LIST					
1	VOLANT FILTER BOX	1	4" X 3" HUMPH HOSE	2	3/8" X 20 BOLTS
1	VOLANT FILTER BOX LID	1	#048 CLAMP	2	3/8" WASHERS
1	VOLANT AIR DUCT	1	#056 CLAMP	1	5/8" X 19" BREATHER HOSE
1	VOLANT FILTER BOX ADAPTER	1	#064 CLAMPS	4	1/4"-20 TRUSS HEAD SCREWS
1	POWERCORE FILTER W/CLAMP	1	#072 CLAMP	4	1/4" RUBBER WASHERS
1	COOLANT RESERVOIR BOTTLE	3	1/4"-20 BOLTS	2	STAINLESS STEEL SCREWS
1	COOLANT RESERVOIR TRAY	3	1/4"-20 LOCK WASHERS	1	MAF SENSOR GASKET
1	3 1/2" X 3 1/4" REDUCER	3	1/4"-20 WASHERS	1	VOLANT O-RING

TOP VIEW



SIDE VIEW



NOTE: REPLACE THE FACTORY O-RING INSIDE OF THE COOLANT LINE WITH THE SUPPLIED VOLANT O-RING.

(2) 3/8" WASHERS  
 (2) 3/8" LOCK WASHERS  
 (2) 3/8"-20 BOLTS

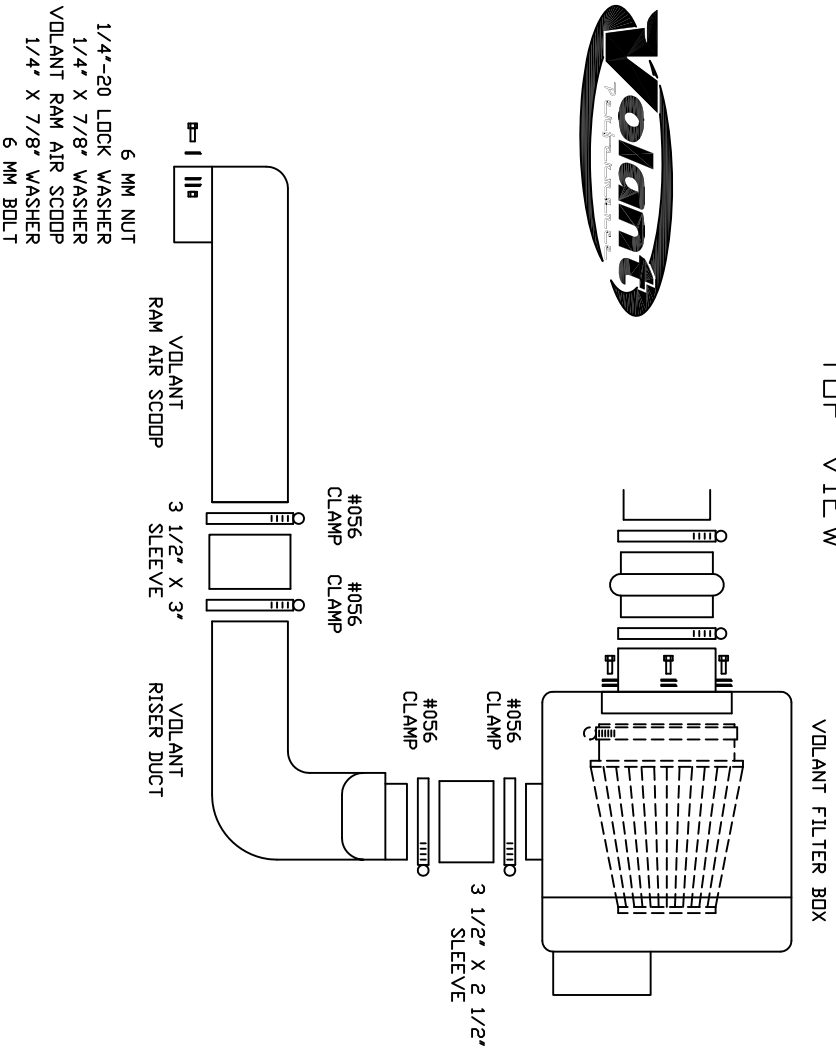
NOTE: REMOVE AND REUSE EXISTING RADIATOR CAP AND PREEXISTING STOCK MOUNTING BOLTS.

VOLANT COOL AIR INTAKES  
 PART NO.: 39850  
 INSTALLATION INSTRUCTIONS  
 WWW.VOLANT.COM  
 TECH SUPPORT: (909) 481-3888

39850 PARTS LIST			
1	VOLANT RISER DUCT	1	1/4"-20 LOCK WASHER
1	VOLANT RAM AIR SCOOP	2	1/4" X 7/8" WASHERS
4	#056 CLAMPS		
1	3 1/2" X 2 1/2" SLEEVE		
1	3 3/4" X 2 1/2" SLEEVE		
1	6 MM BOLT		
1	6 MM NUT		

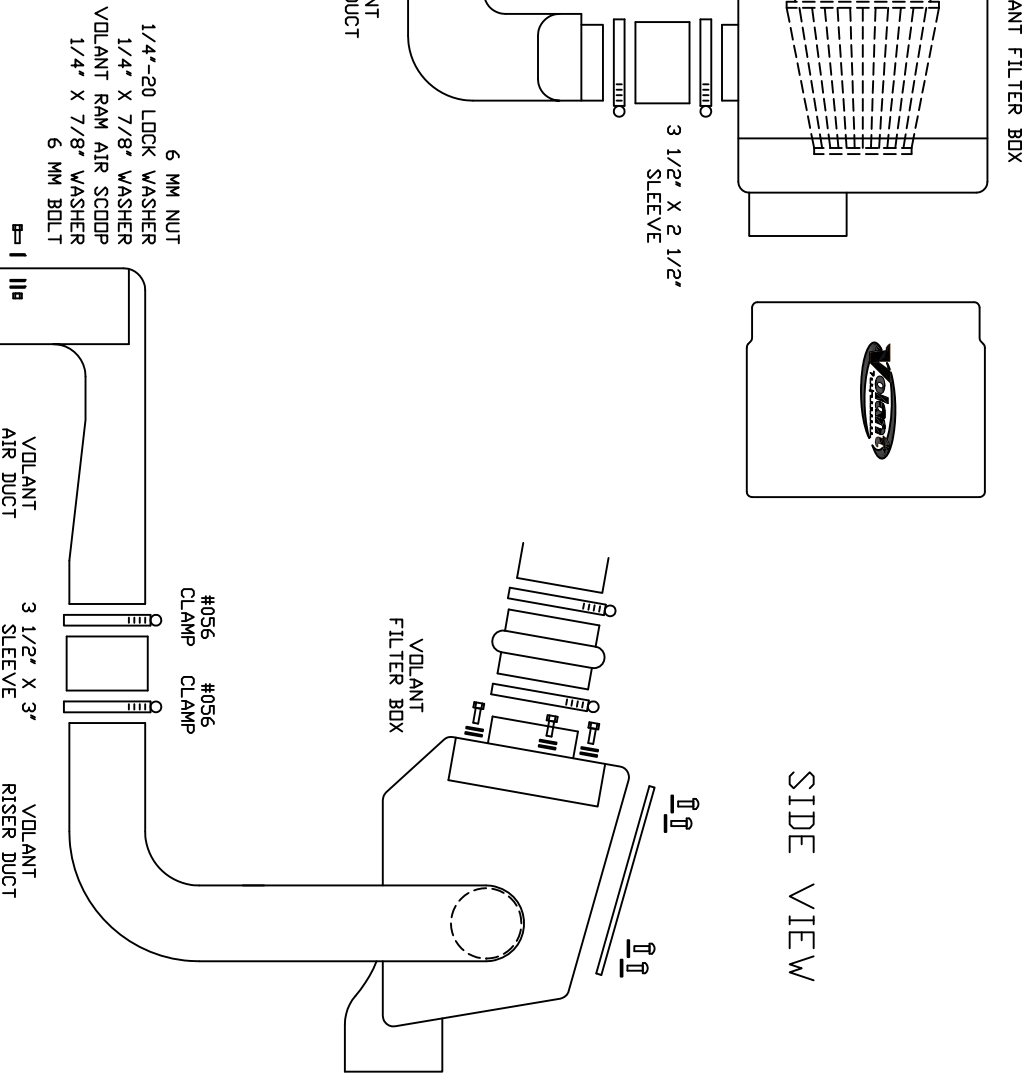


TOP VIEW



- 6 MM NUT
- 1/4"-20 LOCK WASHER
- 1/4" X 7/8" WASHER
- VOLANT RAM AIR SCOOP
- 1/4" X 7/8" WASHER
- 6 MM BOLT

SIDE VIEW



- 6 MM NUT
- 1/4"-20 LOCK WASHER
- 1/4" X 7/8" WASHER
- VOLANT RAM AIR SCOOP
- 1/4" X 7/8" WASHER
- 6 MM BOLT