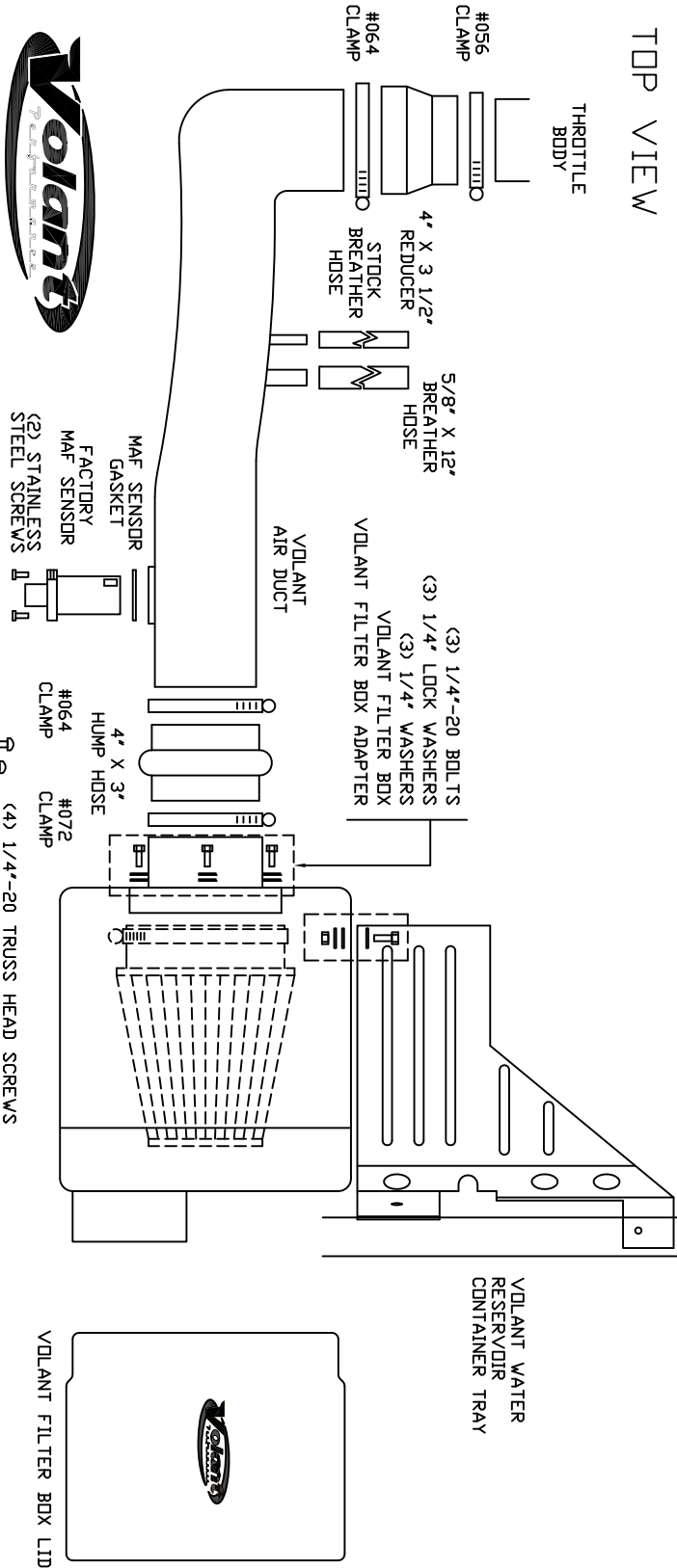


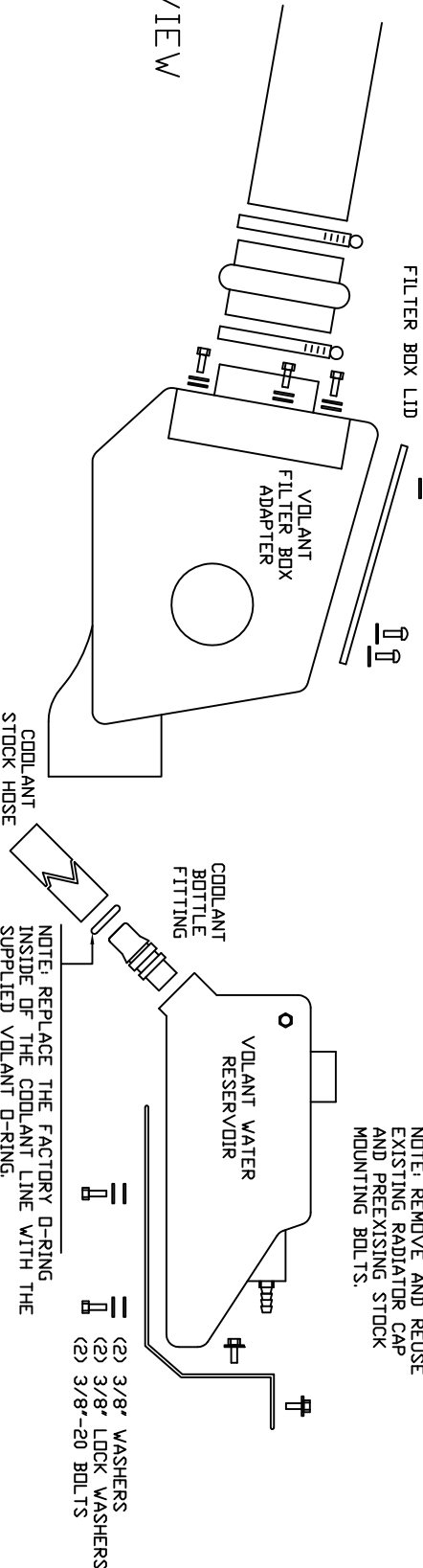
VOLANT COOL AIR INTAKES
 PART NO.: 19850
 INSTALLATION INSTRUCTIONS
 WWW.VOLANT.COM
 TECH SUPPORT: (909) 481-3888

19850 PARTS LIST					
1	VOLANT FILTER BOX	1	4" X 3" HUMPH HOSE	3	1/4"-20 WASHERS
1	VOLANT FILTER BOX LID	1	#056 CLAMP	2	1/4" X 7/8" WASHERS
1	VOLANT AIR DUCT	2	#064 CLAMPS	1	19754 MAF GASKET
1	VOLANT FILTER BOX ADAPTER	1	#072 CLAMP	2	4 MM X 10 SCREWS
1	RAW FILTER W/CLAMP	1	6 MM X 25 BOLT	1	5/8" X 12" BREATHER HOSE
1	COOLANT RESERVOIR BOTTLE	1	6 MM NUT	4	1/4"-20 TRUSS HEAD SCREWS
1	COOLANT TRAY	3	1/4"-20 BOLTS	4	1/4" RUBBER WASHERS
1	4" X 3 1/2" REDUCER	4	1/4"-20 LOCK WASHERS	1	VOLANT O-RING

TOP VIEW



SIDE VIEW



NOTE: REMOVE AND REUSE EXISTING RADIATOR CAP AND PREEXISTING STOCK MOUNTING BOLTS.

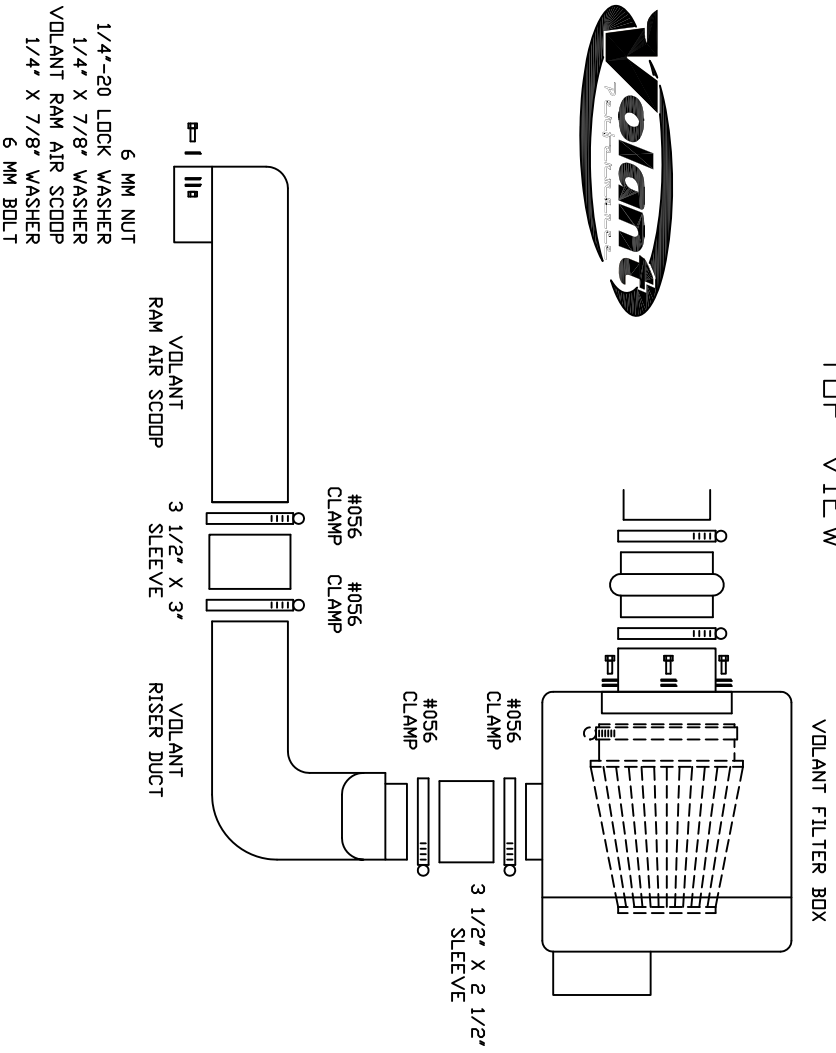
- (2) 3/8" WASHERS
- (2) 3/8" LOCK WASHERS
- (2) 3/8"-20 BOLTS

VOLANT COOL AIR INTAKES
 PART NO.: 39850
 INSTALLATION INSTRUCTIONS
 WWW.VOLANT.COM
 TECH SUPPORT: (909) 481-3888

39850 PARTS LIST			
1	VOLANT RISER DUCT	1	1/4"-20 LOCK WASHER
1	VOLANT RAM AIR SCOOP	2	1/4" X 7/8" WASHERS
4	#056 CLAMPS		
1	3 1/2" X 2 1/2" SLEEVE		
1	3 3/4" X 2 1/2" SLEEVE		
1	6 MM BOLT		
1	6 MM NUT		

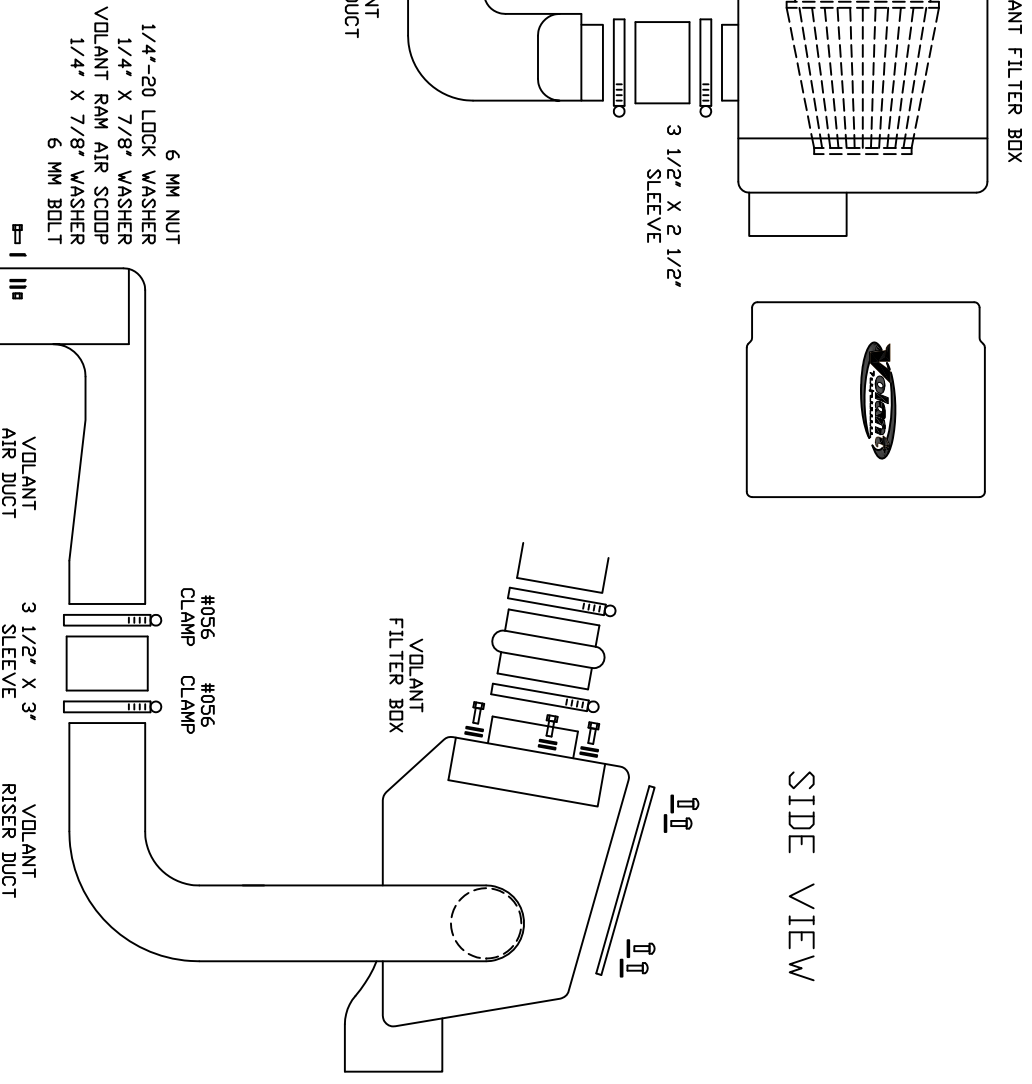


TOP VIEW



- 6 MM NUT
- 1/4"-20 LOCK WASHER
- 1/4" X 7/8" WASHER
- VOLANT RAM AIR SCOOP
- 1/4" X 7/8" WASHER
- 6 MM BOLT

SIDE VIEW



- 6 MM NUT
- 1/4"-20 LOCK WASHER
- 1/4" X 7/8" WASHER
- VOLANT RAM AIR SCOOP
- 1/4" X 7/8" WASHER
- 6 MM BOLT