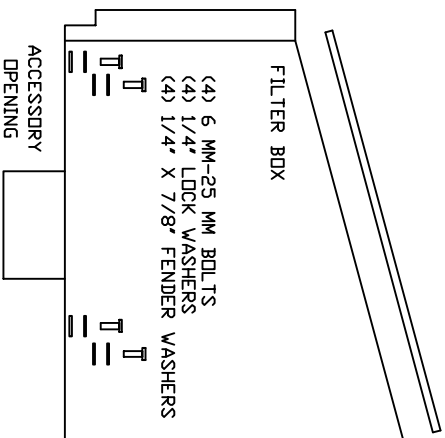


VOLANT AIR INTAKE SYSTEMS
 PART NO.: 159816
 INSTALLATION INSTRUCTIONS
 WWW.VOLANTPERFORMANCE.COM
 TECH SUPPORT: (909) 476-7225

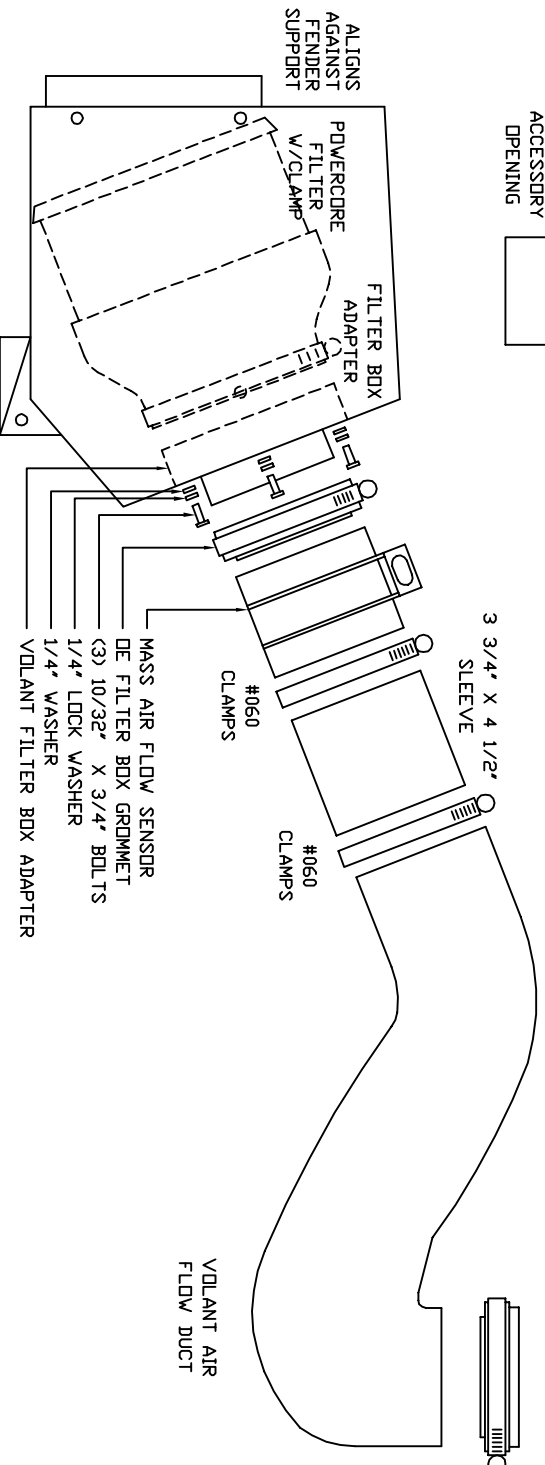
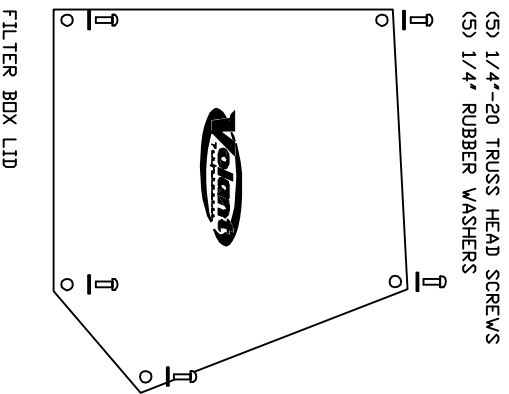
159816 PARTS LIST					
1	VOLANT FILTER BOX	1	3 3/4" X 4 1/2" SLEEVE	1	VOLANT RUBBER GROMMET
1	VOLANT FILTER BOX LID	2	#060 CLAMPS		
1	VOLANT FILTER BOX ADAPTER	4	6 MM-25 BOLTS		
1	VOLANT AIR FLOW DUCT	3	10/32" X 3/4" BOLTS		
1	POWER CORE FILTER W/CLAMP	4	1/4" X 7/8" FENDER WASHERS		
5	1/4"-20 TRUSS HEAD SCREWS	1	1/4" WASHERS		
5	1/4" RUBBER WASHERS	5	1/4" LOCK WASHERS		



VOLANT RUBBER GROMMET

3 3/4" X 4 1/2" SLEEVE

VOLANT AIR FLOW DUCT





Volant Performance
 Rancho Cucamonga, CA 91730
 (909) 481-3888 Tech Support
 (909) 476-1491 Fax
 www.volant.com

READ INSTRUCTIONS THOROUGHLY BEFORE DISASSEMBLING. DO NOT SKIP ANY STEPS. ANY QUESTIONS ON A VOLANT KIT MAY BE REFERRED TO OUR TECH SUPPORT LINE AT (909) 481-3888 OR VISIT OUR WEBSITE AT WWW.VOLANT.COM

INSTALLATION INSTRUCTIONS PART NO. 159816

Installation Instructions:

1. Disconnect the negative battery cable.
2. Loosen the stock rubber grommet hose clamp that connects the stock intake tube to the throttle body. Detach the stock intake tube along with the rubber grommet from the throttle body.
3. On the other end, loosen the hose clamp that connects the air duct to the mass flow sensor. Entirely remove the stock air duct from the engine compartment.
4. Loosen the stock rubber grommet hose clamp that connects your mass flow sensor to the stock filter box. Pull the sensor away from the filter box and set the sensor aside..
5. Remove the stock filter box by pulling straight up and away from the stock filter box mounting tray.
6. Remove the mounting tray from the chassis by loosening all 6 MM bolts with a 10 MM socket or wrench.
7. Mount the Volant box into factory position using the hardware provided.
8. Line up the maf sensor with the filter adapter and tighten together, make sure the maf gasket gets pinched in between the sensor and the air box.
9. Attach the 3.75 x 3 sleeve to the open end of the Maf and tighten with a #60 clamp.
10. Attach the volant throttle body grommet to the volant duct.
11. Press the duct into the sleeve and onto the throttle body and tighten the clamps.
12. Reattach the negative battery cables.

WARNING: OVER TIGHTENING HARDWARE MAY ALTAR THE INTEGRITY OF THE VOLANT AIR INTAKE SYSTEM.

BEFORE ROAD TESTING

1. Start engine, leaving the transmission in park and securing the parking brake.
2. Make sure to look and listen for any unusual noises or air leaks. Repair problems if needed.
3. Once completed it will be necessary to check periodically for realignment and tightening of all connections.
4. Once all tests are completed, enjoy the performance of your new Volant Air Intake System.

CARE AND CLEANING

Check the cotton reusable filter periodically and remove any excessive dirt build-up by tapping the filter on the ground and brushing off the loosened dirt. Clean the filter by using Volant's Filter Recharger Kit. Volant's Filter Recharger Kit is designed to restore original air flow. Re-oil every 10,000 miles without cleaning to improve filtering in sand and dirt. Clean only when dirt is very excessive or 50,000 miles.

RECOMMENDED SERVICE PARTS

RECOMMENDED SERVICE PARTS	PART NO.
POWERCORE FILTER	61517
REPLACEMENT COTTON FILTER	5119
PREFILTER	51921

APPLICATION GUIDE

MY	MAKE	MODEL	ENG.
01-07	CHEVROLET	AVALANCHE	8.1L
01-06	CHEVROLET	SILVERADO HD	8.1L
01-06	CHEVROLET	SUBURBAN	8.1L
01-07	GMC	SIERRA HD	8.1L
01-06	GMC	YUKON XL	8.1L

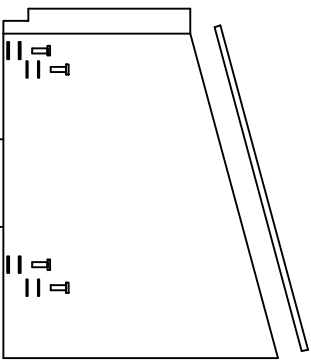
INSTALL



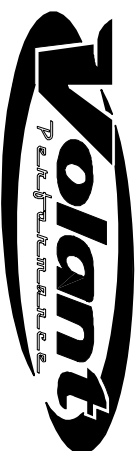
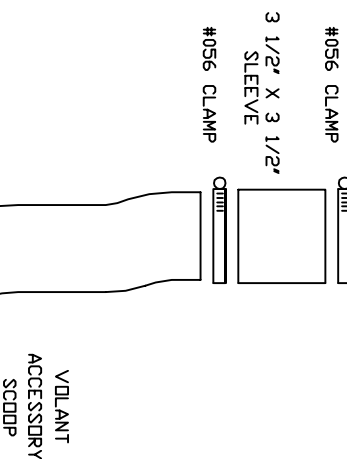
VOLANT COOL AIR INTAKES
 PART NO.: 35060
 INSTALLATION INSTRUCTIONS
 WWW.VOLANT.COM
 TECH SUPPORT: (909) 481-3888



35060 PARTS LIST	
1	VOLANT ACCESSORY SCOOP
2	#056 CLAMPS
1	6 MM X 25 BOLT
1	1/4" LOCK WASHER
2	1/4" WASHER
1	6 MM NUT
1	VOLANT BRACKET



NOTE: VOLANT FILTER BOX
 NOT INCLUDED WITH PART NO. 35060
 2500 HD/3500 HD SCOOP



NOTE: FOR ALL CHEVY APPLICATIONS
 BOLT THE BRACKET WITH THE HARDWARE
 PROVIDED TO THIS DRILL WHOLE.
 ATTACH THE BRACKET TO THE CHASSIS
 WITH A STOCK BOLT.

- 6 MM X 25 BOLT
- 1/4" WASHER
- VOLANT BRACKET
- VOLANT ACCESSORY SCOOP
- 1/4" WASHER
- 1/4" LOCK WASHER
- 6 MM NUT

NOTE: FOR ALL GMC APPLICATIONS BOLT
 THE BRACKET WITH THE HARDWARE
 PROVIDED TO THIS DRILL WHOLE.
 ATTACH THE BRACKET TO THE CHASSIS
 WITH A STOCK BOLT.

