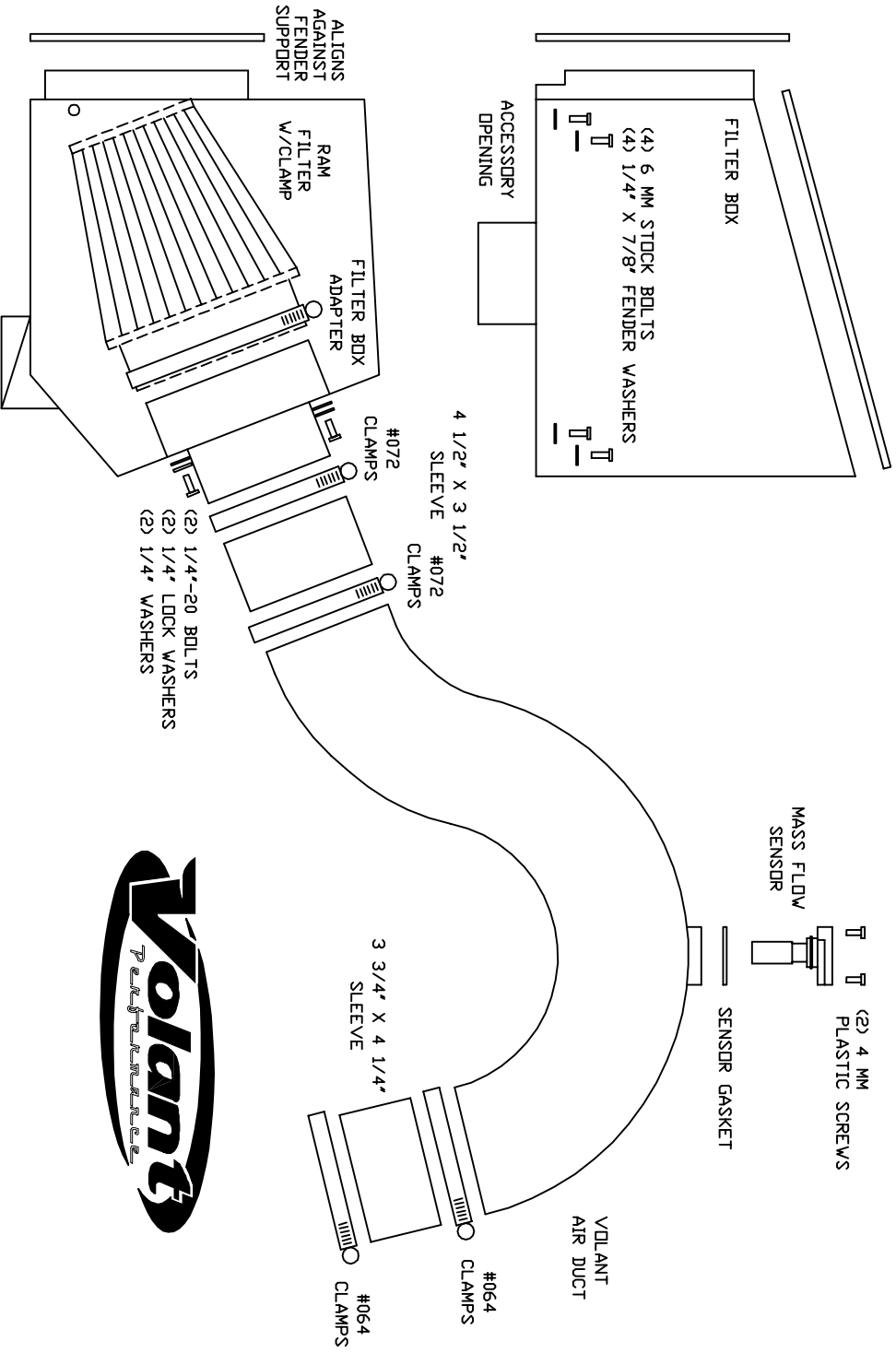
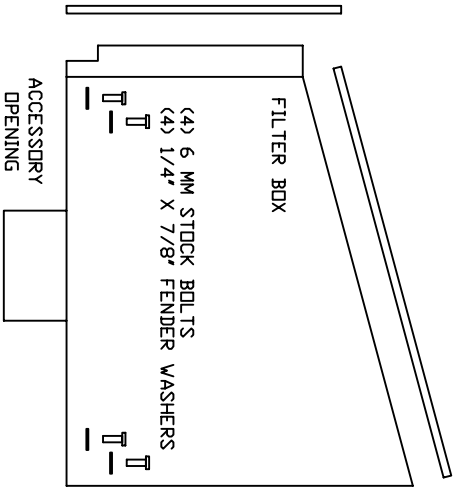
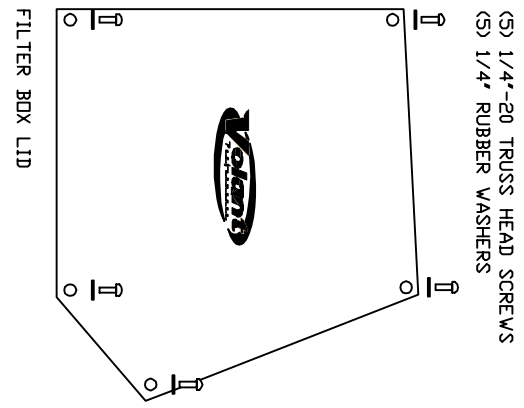


VOLANT COOL AIR INTAKES
 PART NO.: 15966
 INSTALLATION INSTRUCTIONS
 WWW.VOLANT.COM
 TECH SUPPORT: (909) 481-3888

15966 PARTS LIST

1	FILTER BOX	2	#064 CLAMPS	1	SENSOR GASKET
1	FILTER BOX LID	2	#072 CLAMPS	2	4 MM PLASTIC SCREWS
1	FILTER BOX ADAPTER	4	6 MM-25 BOLTS	1	3 3/4" X 4 1/4" SLEEVE
1	VOLANT AIR FLOW DUCT	2	1/4"-20 BOLTS	1	4 1/2" X 3 1/2" SLEEVE
1	RAM FILTER W/CLAMP	2	1/4" LOCK WASHERS		
5	1/4"-20 TRUSS HEAD SCREWS	2	1/4" WASHERS		
5	1/4" RUBBER WASHERS	4	1/4" X 7/8" FENDER WASHERS		

NOTE: REMOVE THE ADHESIVE COVER FROM THE FENDER WELL IN ORDER TO INSURE MAXIMUM AIR FLOW.





Volant Performance
 Rancho Cucamonga, CA 91730
 (909) 481-3888 Tech Support
 (909) 476-1491 Fax
 www.volant.com

READ INSTRUCTIONS THOROUGHLY BEFORE DISASSEMBLING. DO NOT SKIP ANY STEPS. ANY QUESTIONS ON A VOLANT KIT MAY BE REFERRED TO OUR TECH SUPPORT LINE AT (909) 481-3888 OR VISIT OUR WEBSITE AT WWW.VOLANT.COM

INSTALLATION INSTRUCTIONS PART NO. 15966

Installation Instructions:

1. Disconnect the negative battery cables.
2. Remove the screws holding the MAF sensor into the factory air duct.
3. Loosen the clamp holding the airduct to the air box and the clamp holding the duct to the turbo inlet.
4. Remove the factory air duct.
5. Pull up on the factory air box to remove it.
6. Remove the factory air box mounting tray.
7. If there is a silver mat pressed onto the fenderwell remove it now.
8. Install the volant box into factory position using the hardware provided.
9. Attach the 4.5 x 3.5 sleeve onto the filter adapter and tighten with a #72 clamp.
10. Attach the 3.75 x 4.25 sleeve onto the turbo inlet and tighten with a #64 clamp.
11. Press the Volant air duct into the sleeves and tighten the remaining clamps
12. Attach the MAF with the volant gasket and tighten with the hardware provided.
13. Attach the filter to the filter adapter and tighten the clamp.
14. Install the volant air box lid and re attach the battery cables.

WARNING: OVER TIGHTENING HARDWARE MAY ALTAR THE INTEGRITY OF THE VOLANT AIR INTAKE SYSTEM.

BEFORE ROAD TESTING

1. Start engine, leaving the transmission in park and securing the parking brake.
2. Make sure to look and listen for any unusual noises or air leaks. Repair problems if needed.
3. Once completed it will be necessary to check periodically for realignment and tightening of all connections.
4. Once all tests are completed, enjoy the performance of your new Volant Air Intake System.

CARE AND CLEANING

Check the cotton reusable filter periodically and remove any excessive dirt build-up by tapping the filter on the ground and brushing off the loosened dirt. Clean the filter by using Volant's Filter Recharger Kit. Volant's Filter Recharger Kit is designed to restore original air flow. Re-oil every 10,000 miles without cleaning to improve filtering in sand and dirt. Clean only when dirt is very excessive or 50,000 miles.

RECOMMENDED SERVICE PARTS

RECOMMENDED SERVICE PARTS	PART NO.
POWERCORE FILTER UPGRADE	61517
REPLACEMENT FILTER	5150
PREFILTER	51906
CLEANING KIT	5100

APPLICATION GUIDE

MY	MAKE	MODEL	ENG.
MID 04-05	CHEVROLET	SILVERADO	6.6L
MID 04-05	GMC	SIERRA	6.6L

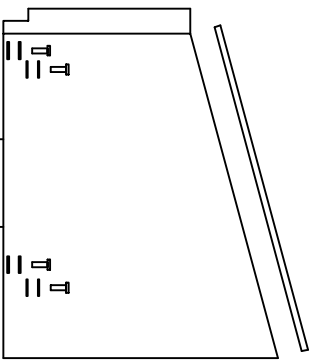
INSTALL



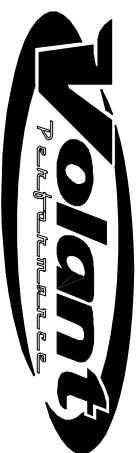
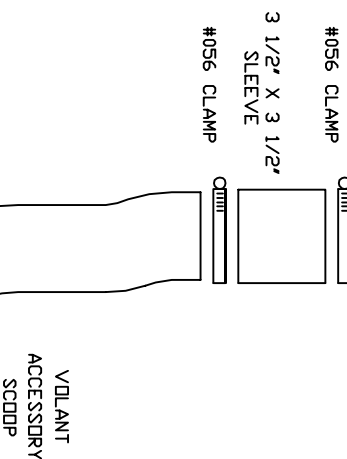
VOLANT COOL AIR INTAKES
 PART NO.: 35060
 INSTALLATION INSTRUCTIONS
 WWW.VOLANT.COM
 TECH SUPPORT: (909) 481-3888



35060 PARTS LIST	
1	VOLANT ACCESSORY SCOOP
2	#056 CLAMPS
1	6 MM X 25 BOLT
1	1/4" LOCK WASHER
2	1/4" WASHER
1	6 MM NUT
1	VOLANT BRACKET



NOTE: VOLANT FILTER BOX
 NOT INCLUDED WITH PART NO. 35060
 2500 HD/3500 HD SCOOP



NOTE: FOR ALL CHEVY APPLICATIONS
 BOLT THE BRACKET WITH THE HARDWARE
 PROVIDED TO THIS DRILL WHOLE.
 ATTACH THE BRACKET TO THE CHASSIS
 WITH A STOCK BOLT.

- 6 MM X 25 BOLT
- 1/4" WASHER
- VOLANT BRACKET
- VOLANT ACCESSORY SCOOP
- 1/4" WASHER
- 1/4" LOCK WASHER
- 6 MM NUT

NOTE: FOR ALL GMC APPLICATIONS BOLT
 THE BRACKET WITH THE HARDWARE
 PROVIDED TO THIS DRILL WHOLE.
 ATTACH THE BRACKET TO THE CHASSIS
 WITH A STOCK BOLT.

