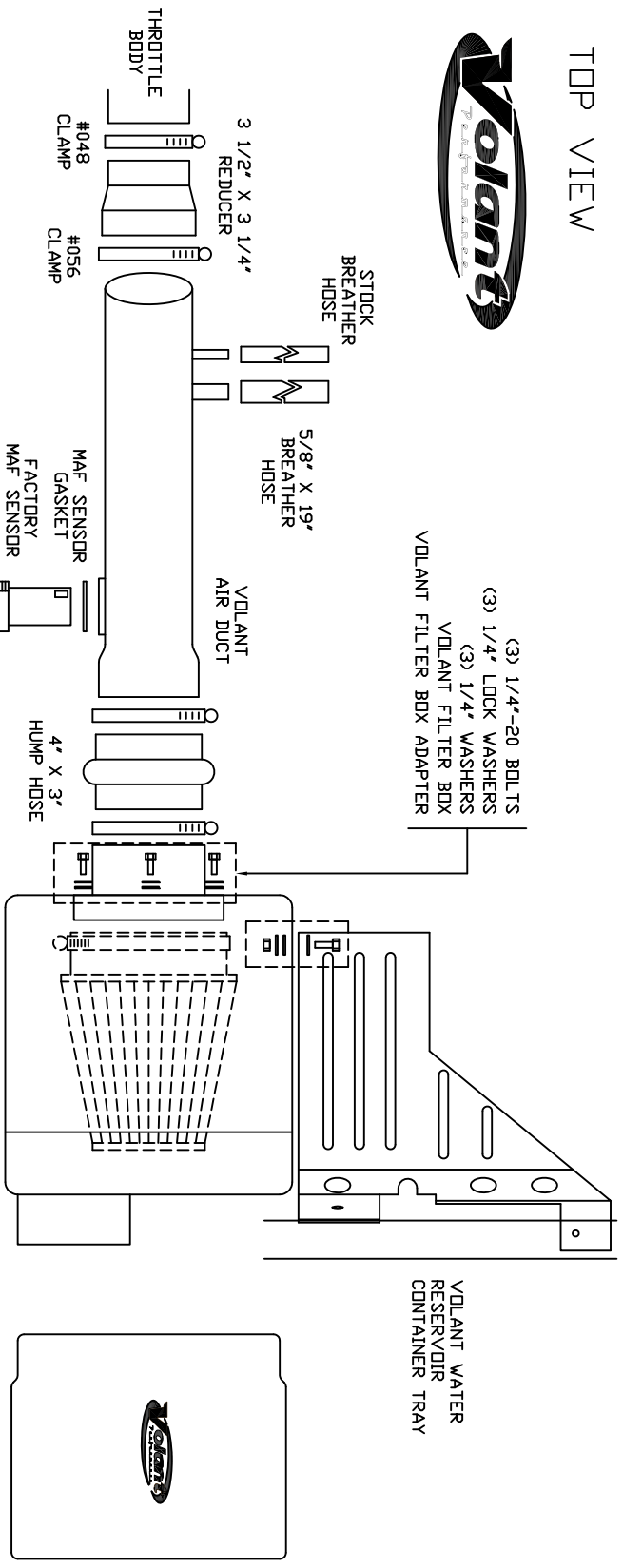


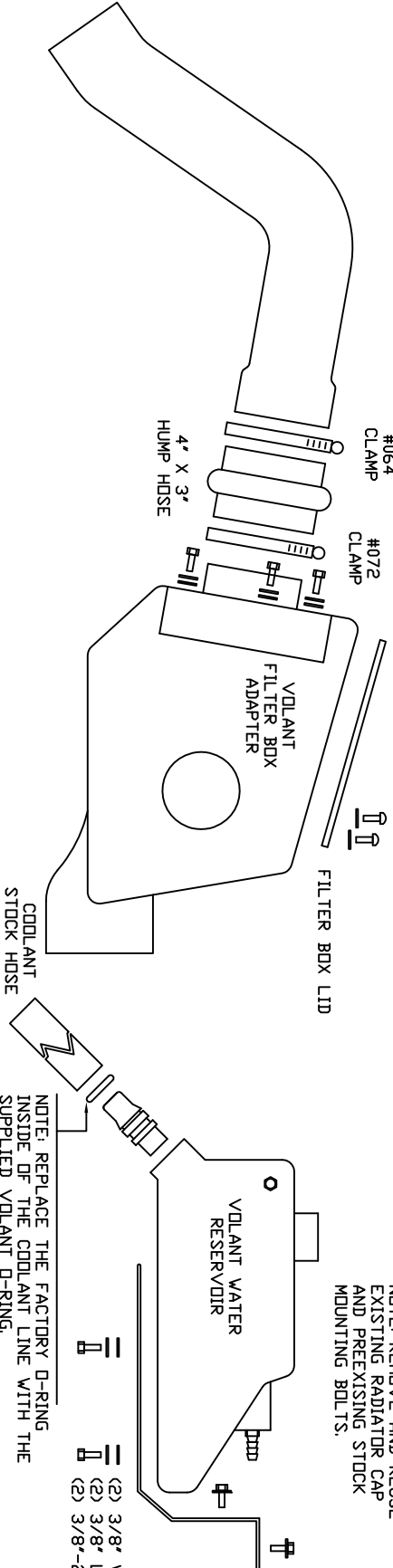
VOLANT COOL AIR INTAKES  
 PART NO.: 19637  
 INSTALLATION INSTRUCTIONS  
 WWW.VOLANT.COM  
 TECH SUPPORT: (909) 481-3888

19637 PARTS LIST					
1	VOLANT FILTER BOX	1	4' X 3' HUMP HOSE	2	3/8" X 20 BDLTS
1	VOLANT FILTER BOX LID	1	#048 CLAMP	2	3/8" LOCK WASHERS
1	VOLANT AIR DUCT	1	#056 CLAMP	1	5/8" X 19" BREATHER HOSE
1	VOLANT FILTER BOX ADAPTER	1	#064 CLAMPS	4	1/4"-20 TRUSS HEAD SCREWS
1	RAM FILTER W/CLAMP	1	#072 CLAMP	4	1/4" RUBBER WASHERS
1	COOLANT RESERVOIR BOTTLE	3	1/4"-20 BOLTS	2	STAINLESS STEEL SCREWS
1	COOLANT RESERVOIR TRAY	3	1/4"-20 LOCK WASHERS	1	MAF SENSOR GASKET
1	3 1/2" X 3 1/4" REDUCER	3	1/4"-20 WASHERS	1	VOLANT O-RING

TOP VIEW



SIDE VIEW



NOTE: REMOVE AND REUSE EXISTING RADIATOR CAP AND PREEXISTING STOCK MOUNTING BDLTS.

NOTE: REPLACE THE FACTORY O-RING INSIDE OF THE COOLANT LINE WITH THE SUPPLIED VOLANT O-RING.

- (2) 3/8" WASHERS
- (2) 3/8" LOCK WASHERS
- (2) 3/8"-20 BDLTS