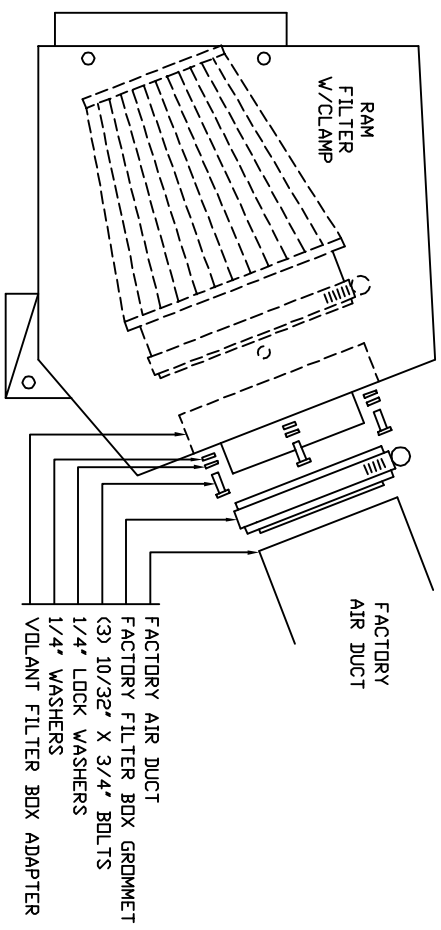
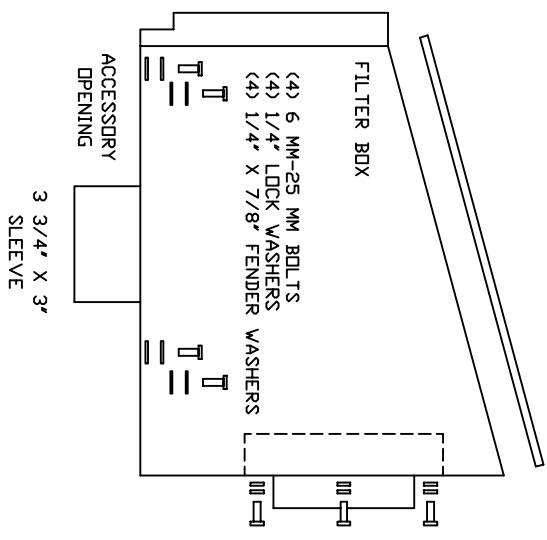
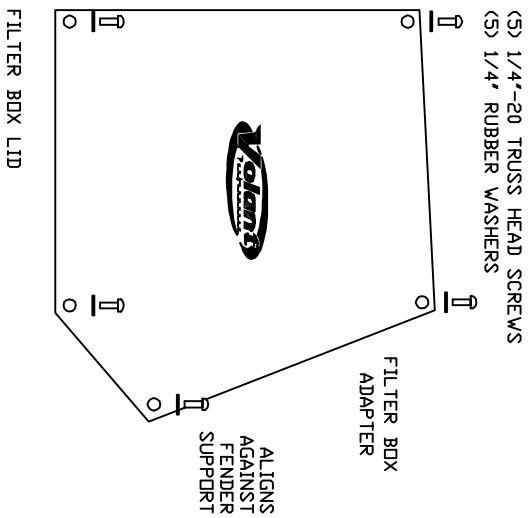


VOLANT COOL AIR INTAKES
 PART NO.: 15243
 INSTALLATION INSTRUCTIONS
 WWW.VOLANT.COM
 TECH SUPPORT: (909) 481-3888

15243 PARTS LIST

1	VOLANT FILTER BOX	4	1/4" X 7/8" FENDER WASHERS
1	VOLANT FILTER BOX LID	4	1/4" LOCK WASHERS
1	VOLANT FILTER BOX ADAPTER	3	1/4" LOCK WASHERS
1	RAM FILTER W/CLAMP	3	1/4" WASHERS
5	1/4"-20 TRUSS HEAD SCREWS	3	10/32" X 3/4" BOLTS
5	1/4" RUBBER WASHERS		
4	6 MM-25 BOLTS		





Volant Performance
 Rancho Cucamonga, CA 91730
 (909) 481-3888 Tech Support
 (909) 476-1491 Fax
 www.volant.com

READ INSTRUCTIONS THOROUGHLY BEFORE DISASSEMBLING. DO NOT SKIP ANY STEPS. ANY QUESTIONS ON A VOLANT KIT MAY BE REFERRED TO OUR TECH SUPPORT LINE AT (909) 481-3888 OR VISIT OUR WEBSITE AT WWW.VOLANT.COM

INSTALLATION INSTRUCTIONS PART NO. 15243

Installation Instructions:

1. Disconnect the negative battery cable.
2. Loosen the clamp holding the maf sensor to the air box, remove the sensor from the factory air box.
3. Pull up and remove the factory air box.
4. Remove the air box mounting tray.
5. Plact the volant box into factory position and tighten down with the hardware provided.
6. Silde the factory filter box grommet onto the filter adapter and tighten the clamp.
7. Attach the filter to the adapter and tighten the clamp.
8. Attach the Volant air box lid.
9. Re attach the negative battery cable.

WARNING: OVER TIGHTENING HARDWARE MAY ALTAR THE INTEGRITY OF THE VOLANT AIR INTAKE SYSTEM.

BEFORE ROAD TESTING

1. Start engine, leaving the transmission in park and securing the parking brake.
2. Make sure to look and listen for any unusual noises or air leaks. Repair problems if needed.
3. Once completed it will be necessary to check periodically for realignment and tightening of all connections.
4. Once all tests are completed, enjoy the performance of your new Volant Air Intake System.

CARE AND CLEANING

Check the cotton reusable filter periodically and remove any excessive dirt build-up by tapping the filter on the ground and brushing off the loosened dirt. Clean the filter by using Volant's Filter Recharger Kit. Volant's Filter Recharger Kit is designed to restore original air flow. Re-oil every 10,000 miles without cleaning to improve filtering in sand and dirt. Clean only when dirt is very excessive or 50,000 miles.

RECOMMENDED SERVICE PARTS

RECOMMENDED SERVICE PARTS	PART NO.
POWERCORE FILTER UPGRADE	61517
REPLACEMENT COTTON FILTER	5119
PREFILTER	51906
CLEANING KIT	5100

APPLICATION GUIDE

MY	MAKE	MODEL	ENG.
07-08	CHEVROLET	SILVERADO	4.3L

INSTALL

