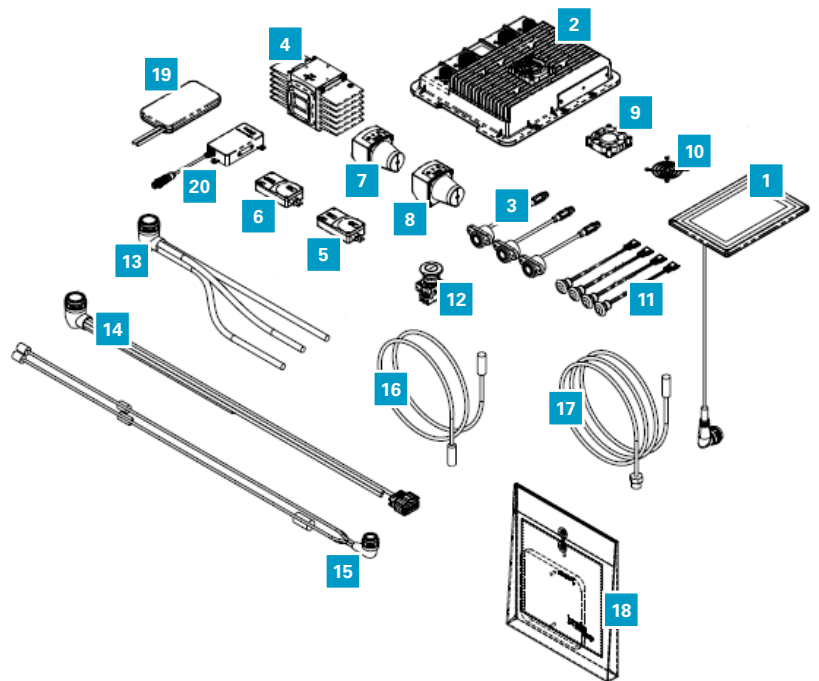


AMR Autonomy Parts Guide

ITEM NO.	PART NO.	DESCRIPTION
1	1240639	MONITOR, LCD, TOUCH
2	1248248	CONTROLLER, AMR (BCM)
3	1240062	CAMERA, AMR (2D)
4	1240059	CAMERA ASSY, FRONT (3D IFM O3D)
5	1240239	CAMERA, AMR, SIDE, LH (IFM O3X 3D)
6	1240632	CAMERA, AMR, SIDE, RH (IFM O3X 3D)
7	1240525	SENSOR, RANGE, AMR (LIDAR TiM551)
8	1240234	SENSOR, RANGE, AMR (LIDAR, HORIZ)
9	1240113	FAN, COOLING, CAMERA
10	1240631	GUARD, FAN
11	1240252	LIGHT, MARKER
12	1240637	SWITCH, PUSH, MOM, BLUE
13	1249468	HARNESS, AMR, UPPER
14	1242298	HARNESS, AMR, LOWER
15	1242299	HARNESS, AMR, POWER
16	1242300	CABLE, SENSOR, SPD
17	1242301	CABLE, SERVICE, AMR
18	1242894	SIGN KIT, AMR (HOME LOCATION)
19	1243814	ANTENNA, AMR
20	1243815	CONTROLLER, TELEM, AMR



For a demonstration or additional information,
call **+1.800.553.8033** or email **info@tennantco.com**