



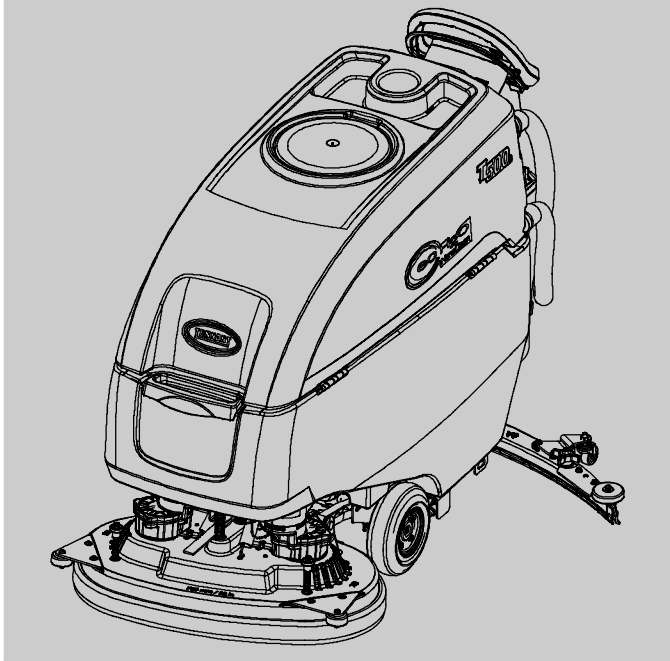
# T500e

Walk-Behind Floor Scrubber

## Parts Manual



(S/N 10000000-20000000)



Tennant True® Parts  
IRIS® a Tennant Technology  
Insta-Fit™ Adapter  
Smart-Fill™ Automatic Battery Watering



## North America / International

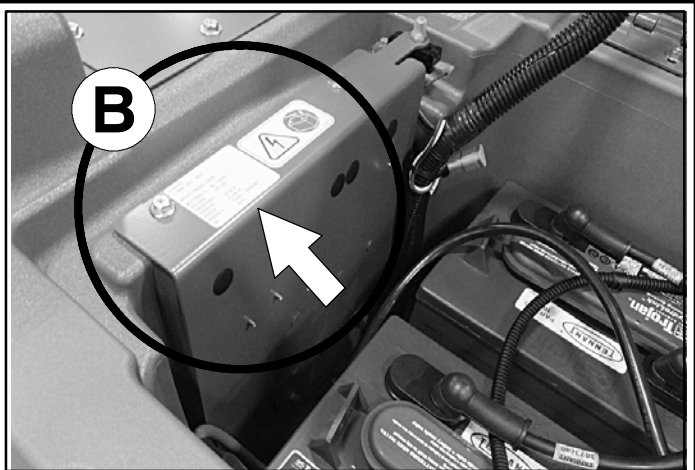
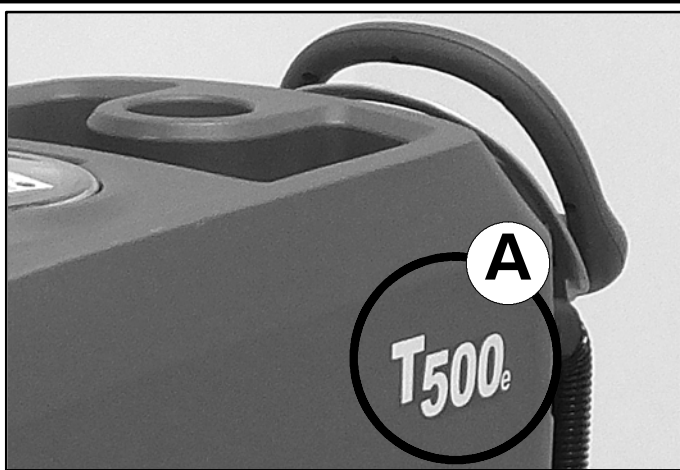


For the latest Parts manuals and other language Operator manuals, visit:

[www.tennantco.com/manuals](http://www.tennantco.com/manuals)

9015505  
Rev. 09 (11-2023)





Ref	Part No.	Serial Number	Description	Qty.
1	82681	(000000- )	Bracket W/dt, Lpg Mount	1
∇ 2	63810	(000000- )	Latch Assy, Lpg Tank Mtg, W/Nut	4
▲ 3	51839	(000000- )	Nut Adjustable, Lpg Tank Mtg	2
4	49263	(000000- )	Tie, Cable	3
(D) 82556	82556	(000000- 001039)	Bracket, Vaporizer	1
	54930	(000000- )	Vaporizer, LPG	1

**HOW TO ORDER PARTS - See diagram above**

Only use TENNANT Company supplied or equivalent parts. Parts and supplies may be ordered online, by phone, by fax or by mail.

Follow the steps below to ensure prompt delivery.

1. (A) Identify the machine model.
2. (B) Identify the machine serial number from the data label.
3. (C) Ensure the proper serial number is used from the parts list.
4. Identify the part number and quantity. Do not order by page or reference numbers.
5. Provide your name, company name, customer ID number, billing and shipping address, phone number and purchase order number.
6. Provide detail shipping instructions.

- (D) ∇ - identifies an assembly  
 ▲ - identifies parts included in assembly

**Please fill out at time of installation for future reference.**

Model No. - \_\_\_\_\_  
 Serial No. - \_\_\_\_\_  
 Machine Options - \_\_\_\_\_  
 Sales Rep. - \_\_\_\_\_  
 Sales Rep. phone no. - \_\_\_\_\_  
 Customer ID Number - \_\_\_\_\_  
 Installation Date - \_\_\_\_\_

**Tennant Company**  
 10400 Clean Street  
 Eden Prairie, MN 55344- 2650 USA  
 Phone: (800) 553- 8033  
 www.tennantco.com

<b>ES</b>	<p><b>CÓMO SOLICITAR PIEZAS - Consulte el diagrama anterior.</b></p> <p>Utilice sólo las piezas suministradas por TENNANT Company o piezas equivalentes. Puede solicitar las piezas a través de internet, por teléfono, por fax o por correo.</p> <p>Siga los siguientes pasos para que la entrega sea rápida.</p> <ol style="list-style-type: none"> <li>1. <b>(A)</b> Indique el modelo de máquina.</li> <li>2. <b>(B)</b> Indique el número de serie de la etiqueta de datos.</li> <li>3. <b>(C)</b> Asegúrese de que indica el número de serie correcto de la lista de piezas.</li> <li>4. Indique la cantidad y el número de la pieza. No realice el pedido indicando el número de página o el de referencia.</li> <li>5. Incluya su nombre, el nombre de la empresa, el ID de cliente, las direcciones de envío y facturación, el número de teléfono y el número del pedido de compra.</li> <li>6. Facilite instrucciones de envío.</li> </ol> <hr/> <p><b>(D)</b>    ▽ - identifica un conjunto           ▲ - identifica piezas de un conjunto</p>	<p><b>Rellene estos datos cuando realice la instalación para utilizarlos como referencia en el futuro.</b></p> <p>Nº modelo - _____</p> <p>Nº serie - _____</p> <p>Opciones de la máquina - _____</p> <p>Vendedor - _____</p> <p>Nº teléfono vendedor - _____</p> <p>Nº cliente - _____</p> <p>Fecha de instalación - _____</p>
-----------	---	---

<b>FR</b>	<p><b>COMMENT COMMANDER DES PIÈCES DÉTACHÉES - Voir le schéma ci-dessus.</b></p> <p>Utilisez uniquement des pièces fournies par la société TENNANT ou équivalentes. Les pièces et fournitures peuvent être commandées en ligne, par téléphone, fax, ou par courrier.</p> <p>Suivez les étapes ci-dessous pour assurer une livraison rapide.</p> <ol style="list-style-type: none"> <li>1. <b>(A)</b> Identifiez le modèle de la machine.</li> <li>2. <b>(B)</b> Identifiez le numéro de série de la machine, à partir de l'étiquette signalétique.</li> <li>3. <b>(C)</b> Assurez-vous que le numéro de série correct est utilisé à partir de la liste de pièces détachées.</li> <li>4. Identifiez le numéro de pièce et la quantité. Ne commandez pas par page ou numéros de référence.</li> <li>5. Fournissez votre nom, le nom de votre société, votre numéro d'identification de client, l'adresse de facturation et d'expédition, le numéro de téléphone et le numéro du bon de commande.</li> <li>6. Fournissez des instructions d'expédition détaillées.</li> </ol> <hr/> <p><b>(D)</b>    ▽ - identifie un assemblage           ▲ - identifie les pièces composant l'assemblage</p>	<p><b>A remplir au moment de l'installation à titre de référence.</b></p> <p>Nº du modèle - _____</p> <p>Nº de série - _____</p> <p>Options de la machine - _____</p> <p>Agent commercial - _____</p> <p>Nº tél. de l'agent commercial - _____</p> <p>Numéro d'identification client - _____</p> <p>Date d'installation - _____</p>
-----------	---	---



**STANDARD PARTS**

GENERAL RECOMMENDED MAINTENANCE ITEMS .....	7
REPLACEMENT BRUSHES AND PAD DRIVER DISK .....	12
REPLACEMENT BRUSHES CYLINDRICAL ....	14
REPLACEMENT PADS ORBITAL .....	15
SCRUB HEAD GROUP, DISK 650MM / 26IN ...	16
SCRUB HEAD GROUP, DISK 700MM / 28IN ...	18
SCRUB HEAD GROUP, DISK 800MM / 32IN ...	20
SCRUB HEAD GROUP, CYLINDRICAL 700MM / 28IN .....	22
SCRUB HEAD GROUP, CYLINDRICAL 700MM / 28IN - CONT'D .....	24
SCRUB HEAD GROUP, ORBITAL 700MM / 28IN .....	26
RECOVERY TANK GROUP, PINCH CUFF SCREW CAP .....	28
RECOVERY TANK GROUP, STANDARD SCREW CAP .....	30
SOLUTION TANK GROUP .....	32
ELECTRICAL GROUP, WET AND AGM BATTERY .....	34
ELECTRICAL GROUP, TPPL AND LITHIUM-ION BATTERY .....	36
FRAME AND DRIVE GROUP (S/N 11064202 - ) .....	38
FRAME AND DRIVE GROUP (S/N 10000000 - 11064201) .....	40
HEAD LIFT GROUP, DISK .....	42
HEAD LIFT GROUP, CYLINDRICAL .....	44
HEAD LIFT GROUP, ORBITAL .....	46
LOWER CONSOLE GROUP, ON- BOARD CHARGER .....	48
LOWER CONSOLE GROUP, ON- BOARD CHARGER, TPPL BATTERY .....	50
LOWER CONSOLE GROUP, ON- BOARD CHARGER 650W, LITHIUM-ION BATTERY .....	52
LOWER CONSOLE GROUP, OFF- BOARD CHARGER .....	54
CONSOLE GROUP, WITHOUT TELEMETRY ...	56
CONSOLE GROUP, WITH TELEMETRY .....	58

SQUEEGEE LIFT GROUP .....	60
SQUEEGEE ASSEMBLY, 500MM / 20IN .....	62
SQUEEGEE ASSEMBLY, 650MM / 26IN (New Style 9021741) .....	64
SQUEEGEE ASSEMBLY, 650MM / 26IN (Original Style 9015301 - Replaced By 9021741) .....	66
SQUEEGEE ASSEMBLY, 700MM / 28IN (New Style 9021742) .....	68
SQUEEGEE ASSEMBLY, 700MM / 28IN (Original Style 9015302 - Replaced By 9021742) .....	70
SQUEEGEE ASSEMBLY, 800MM / 32IN (New Style 9021743) .....	72
SQUEEGEE ASSEMBLY, 800MM / 32IN (Original Style 9015303 - Replaced By 9021743) .....	74
STANDARD SOLUTION GROUP .....	76
BATTERY CABLES GROUP, WET AND AGM BATTERY .....	78
BATTERY CABLES GROUP, TPPL BATTERY ..	79
BATTERY CABLES GROUP, LITHIUM-ION BATTERY .....	80
LABEL GROUP .....	81
ELECTRICAL DIAGRAM (S/N 10995399 - ) .....	82
ELECTRICAL DIAGRAM (S/N 10000000 - 10995388) .....	90
ELECTRICAL HARNESS, MAIN (S/N 10995399 - ) .....	94
ELECTRICAL HARNESS, MAIN (S/N 10000000 - 10995398) .....	100
ELECTRICAL HARNESS, OPERATOR STATION .....	106
ELECTRICAL HARNESS, BAIL SWITCH .....	108
ELECTRICAL HARNESS, TELEMETRY (OPTION) .....	109
ELECTRICAL HARNESS, RELAY ADAPTER (TPPL BATTERY) .....	110
ELECTRICAL HARNESS, BATTERY TO UI (LITHIUM-ION BATTERY) .....	111

# TABLE OF CONTENTS

---

## OPTIONS

BATTERY GROUP, WET 225AH .....	113
BATTERY GROUP, WET 260AH .....	114
BATTERY GROUP, AGM 210AH .....	115
BATTERY GROUP, TPPL 183AH C/20 .....	116
BATTERY GROUP, 90AH 125 BAUD LITHIUM-ION (1 Battery System) .....	117
BATTERY GROUP, 90AH 125 BAUD LITHIUM-ION (2 Battery System) .....	118
EXTENSION KIT, LITHIUM-ION BATTERY (1 Battery to 2 Battery System) .....	119
MANUAL BATTERY WATERING SYSTEM .....	120
HYDROLINK MANUAL BATTERY WATERING SYSTEM .....	122
SMART-FILL AUTOMATIC BATTERY WATERING SYSTEM (S/N 10995399 - ) .....	124
SMART-FILL AUTOMATIC BATTERY WATERING SYSTEM (S/N 10000000 - 10995398) .....	126
ELECTRICAL GROUP, TELEMETRY .....	128
BATTERY CABLES GROUP, TELEMETRY, AGM AND WET .....	130
PINCH CUFF SCREW CAP DRAIN HOSE GROUP .....	132
CONTROL VALVE DRAIN HOSE GROUP .....	134
ec-H2O SOLUTION GROUP .....	136
PARKING BRAKE GROUP (S/N 11064202 - ) .....	138
PARKING BRAKE GROUP (S/N 10000000 - 11064201) .....	140
BRACKET KIT, SOLUTION TANK SUPPORT (S/N 10000000 - 11064201) .....	142
DOCUMENTATION GROUP (ONLINE ONLY) ...	144

## BREAKDOWNS

AUTOMATIC BATTERY WATERING MODULE BREAKDOWN .....	145
ec- H2O NANOCLEAN MODULE BREAKDOWN 9020643, 9021553 (S/N 10983853 - ) ...	146
ec- H2O NANOCLEAN MODULE BREAKDOWN 9011810 (S/N 10000000 - 10983852) .....	148
ORBITAL HEAD ECCENTRIC DRIVE BREAKDOWN .....	150

# RECOMMENDED MAINTENANCE ITEMS

## GENERAL RECOMMENDED MAINTENANCE ITEMS

Part No.	Serial Number	Description	Qty.
1223989	(1000000- 2000000 )	Brush Assy, Disk, Scb, 13.0d, Pyp	2
1223991	(1000000- 2000000 )	Brush Assy, Disk, Scb, 13.0d, Nyl	2
1223990	(1000000- 2000000 )	Brush Assy, Disk, Scb, 13.0d, Sab	2
1243567	(1000000- 2000000 )	Pad, Stripper, 13.0d, Brn [1pick=1ctn]	2
1243655	(1000000- 2000000 )	Pad, Scb, 13.0d Blu [1pick=1ctn]	2
1243341	(1000000- 2000000 )	Pad, Buff, 13.0d, Red [1pick=1ctn]	2
1243342	(1000000- 2000000 )	Pad, Polish, 13.0d, White [1pick=1ctn]	2
1243666	(1000000- 2000000 )	Pad, Surf Prep, 13.0d Maroon[1pick=1ctn]	2
1240356	(1000000- 2000000 )	Pad, Polish, 13.0d, Yel [1pick=1ctn]	2
1220218	(1000000- 2000000 )	Brush Assy, Disk, Scb, 14.0d, Pyp	2
1221541	(1000000- 2000000 )	Brush Assy, Disk, Scb, 14.0d, Nyl	2
1220217	(1000000- 2000000 )	Brush Assy, Disk, Scb, 14.0d, Sab	2
1243657	(1000000- 2000000 )	Pad, Stripping, 14.0d Brown [1pick=1ctn]	2
1243344	(1000000- 2000000 )	Pad, Scb, 14.0d, Blu [1pick=1ctn]	2
1243656	(1000000- 2000000 )	Pad, Buff, 14.0d Red [1pick=1ctn]	2
1243343	(1000000- 2000000 )	Pad, Polish, 14.0d, White [1pick=1ctn]	2
1243658	(1000000- 2000000 )	Pad, Strip, 14.0d Blk[Hi Prod1pick=1ctn]	2
1243667	(1000000- 2000000 )	Pad, Surf Prep, 14.0d Maroon[1pick=1ctn]	2
1240389	(1000000- 2000000 )	Pad, Polish, 14.0d, Yel [1pick=1ctn]	2
1220216	(1000000- 2000000 )	Brush Assy, Disk, Scb, 16.0d, Pyp	2
1220215	(1000000- 2000000 )	Brush Assy, Disk, Scb, 16.0d, Nyl	2
1220214	(1000000- 2000000 )	Brush Assy, Disk, Scb, 16.0d, Sab	2
1243685	(1000000- 2000000 )	Pad, Stripping, 16.0d, Brn [1pick=1ctn]	2
1243354	(1000000- 2000000 )	Pad, Scb, 16.0d, Blu [1pick=1ctn]	2
1243355	(1000000- 2000000 )	Pad, Buff, 16.0d, Red [1pick=1ctn]	2
1243356	(1000000- 2000000 )	Pad, Polish, 16.0d, White [1pick=1ctn]	2
1243659	(1000000- 2000000 )	Pad, Strip, 16.0d Blk[Hi Prod1pick=1ctn]	2
1243668	(1000000- 2000000 )	Pad, Surf Prep, 16.0d Maroon[1pick=1ctn]	2
1240390	(1000000- 2000000 )	Pad, Polish, 16.0d, Yel [1pick=1ctn]	2
222304	(1000000- 2000000 )	Brush, Scb, 28l, 18sr, Pyp, Spl	2
222305	(1000000- 2000000 )	Brush, Scb, 28l, 18sr, Nyl, Spl	2
222306	(1000000- 2000000 )	Brush, Scb, 28l, 18sr, Abr, Spl	2
1223247	(1000000- 2000000 )	Pad, Scb, 28 X 14, Blu [1pc=1pad]	1
1244690	(1000000- 2000000 )	Pad, Buff, 28 X 14, Red [1pick=1ctn]	1
1223246	(1000000- 2000000 )	Pad, Polish, 28 X 14, White [1pc=1pad]	1
1223248	(1000000- 2000000 )	Pad, Surf Prep, 28 X 14, Mar [1pc=1pad]	1
1223250	(1000000- 2000000 )	Pad, Scb, 28 X 14, Green [1pick=1ctn]	1
1075563	(1000000- 2000000 )	Pad, Stripping, 28 X 14, Blk [1pick=1ctn]	1
1228002	(1000000- 2000000 )	Pad, Melamine, 14" X 28" [Case Of 5]	1
1240343	(1000000- 2000000 )	Pad, Polish, 28 X 14, Yel [1pick=1ctn]	1
1221839	(1000000- 2000000 )	Pad, Backer, 28 X 14 (Includes Velcro Fasteners)	1
222403	(1000000- 2000000 )	Wheel, 02.0d 0.88w 0.50b (Disk Head)	2
1232324	(1000000- 2000000 )	Bumper, Head, 65cm, Skirt, Im	1
1232325	(1000000- 2000000 )	Bumper, Head, 70cm, Skirt, Im	1
1232326	(1000000- 2000000 )	Bumper, Head, 80cm, Skirt, Im	1
630477	(1000000- 2000000 )	Wheel, Pyu, 02.0d 0.38w, Gray (Cylindrical Head)	6
1014918	(1000000- 2000000 )	Wheel, 03.0d 0.88w 0.31b, W/ Bshg, Rbr (Orbital Head)	2
1218573	(1000000- 2000000 )	Skirt, Side, Scrb, Cyl [T500]	4
▽ 9015765	(1000000- 2000000 )	Belt Kit, Motor, Ci (Cylindrical Head)	1
▲ 1035888	(1000000- 2000000 )	Belt, Drive, 6grv, 508 L X 14 W, [6pj]	2
▲ 1203758	(1000000- 2000000 )	Tool, Installation, Belt	1

# RECOMMENDED MAINTENANCE ITEMS

## GENERAL RECOMMENDED MAINTENANCE ITEMS

	Part No.	Serial Number	Description	Qty.
▽	9015731	(10000000- 20000000 )	Blade Kit, 500mm, Linatex (Standard)	1
▲	1203953	(10000000- 20000000 )	Blade, Sqge, Rear, 836l, Linatex[500mm] (Standard)	1
▲	1203954	(10000000- 20000000 )	Blade, Sqge, Front, 788l, Linatex[500mm] (Standard)	1
▽	9015732	(10000000- 20000000 )	Blade Kit, 500mm, Urethane (Option)	1
▲	1215609	(10000000- 20000000 )	Blade, Sqge, Rear, 836l, Urethane[500mm] (Option)	1
▲	1215611	(10000000- 20000000 )	Blade, Sqge, Front, 788l, Urethane[500mm] (Option)	1
▽	9015730	(10000000- 20000000 )	Blade Kit, 500mm, Gum (Option)	1
▲	1215610	(10000000- 20000000 )	Blade, Sqge, Rear, 836l, Gum[500mm] (Option)	1
▲	1215612	(10000000- 20000000 )	Blade, Sqge, Front, 788l, Gum[500mm] (Option)	1
▽	9015734	(10000000- 20000000 )	Blade Kit, 650mm, Linatex/Linard (Standard)	1
▲	1221585	(10000000- 20000000 )	Blade, Sqge, Rear, 1166l, Linatex[650mm] (Standard)	1
▲	1232680	(10000000- 20000000 )	Blade, Sqge, Front, 1072l Linard[650mm] (Standard)	1
▽	9015735	(10000000- 20000000 )	Blade Kit, 650mm, Urethane (Option)	1
▲	1228909	(10000000- 20000000 )	Blade, Sqge, Rear, 1136l,Urethane[650mm] (Option)	1
▲	1228915	(10000000- 20000000 )	Blade, Sqge, Front,1072l,Urethane[650mm] (Option)	1
▽	9015733	(10000000- 20000000 )	Blade Kit, 650mm, Gum (Option)	1
▲	1228910	(10000000- 20000000 )	Blade, Sqge, Rear, 1136l, Gum[650mm] (Option)	1
▲	1228919	(10000000- 20000000 )	Blade, Sqge, Front, 1072l Gum[650mm] (Option)	1
▽	9015737	(10000000- 20000000 )	Blade Kit, 700mm, Linatex/Linard (Standard)	1
▲	1221572	(10000000- 20000000 )	Blade, Sqge, Rear, 1204l, Linatex[700mm] (Standard)	1
▲	1232679	(10000000- 20000000 )	Blade, Sqge, Front, 1148l Linard[700mm] (Standard)	1
▽	9015738	(10000000- 20000000 )	Blade Kit, 700mm, Urethane (Option)	1
▲	1228904	(10000000- 20000000 )	Blade, Sqge, Rear, 1204l,Urethane[700mm] (Option)	1
▲	1228906	(10000000- 20000000 )	Blade, Sqge, Front,1148l Urethane[700mm] (Option)	1
▽	9015736	(10000000- 20000000 )	Blade Kit, 700mm, Gum (Option)	1
▲	1228905	(10000000- 20000000 )	Blade, Sqge, Rear, 1204l, Gum[700mm] (Option)	1
▲	1228907	(10000000- 20000000 )	Blade, Sqge, Front, 1148l Gum[700mm] (Option)	1
▽	9015740	(10000000- 20000000 )	Blade Kit, 800mm, Linatex/Linard (Standard)	1
▲	1221115	(10000000- 20000000 )	Blade, Sqge, Rear, 1306l, Linatex[800mm] (Standard)	1
▲	1232681	(10000000- 20000000 )	Blade, Sqge, Front, 1256l Linard[800mm] (Standard)	1
▽	9015741	(10000000- 20000000 )	Blade Kit, 800mm, Urethane (Option)	1
▲	1228920	(10000000- 20000000 )	Blade, Sqge, Rear, 1306l,Urethane[800mm] (Option)	1
▲	1228922	(10000000- 20000000 )	Blade, Sqge, Front,1256l Urethane[800mm] (Option)	1
▽	9015739	(10000000- 20000000 )	Blade Kit, 800mm, Gum (Option)	1
▲	1228921	(10000000- 20000000 )	Blade, Sqge, Rear, 1306l, Gum[800mm] (Option)	1
▲	1228923	(10000000- 20000000 )	Blade, Sqge, Front, 1256l Gum[800mm] (Option)	1



# RECOMMENDED MAINTENANCE ITEMS

## GENERAL RECOMMENDED MAINTENANCE ITEMS

Part No.	Serial Number	Description	Qty.
630052	(10000000- 20000000 )	Float, Shut- Off, (2)Ball, 1.75d	1
9015756	(10000000- 20000000 )	Seal, Cover, Recvy, Ci [T500]	1
1211220	(10000000- 20000000 )	Hose Assy,W/2cuff,1.5d 022l 1.5/1.5[Pvc] (Black - Standard)	1
1224414	(10000000- 10972171 )	Hose Assy, W/2cuff,1.5d 033l 1.5/1.5[Pu] (Gray - Option) (No Longer Available - Replaced by 1211220 - Black PVC)	1
∇	1248221	(10972172- 20000000 ) Hose Assy, Drain, 1.5id X 11.0l [Pvc] (Black - Standard)	1
▲∇	1232385	(10972172- 20000000 ) Cap, Drain Assy [Black, T500e]	1
▲▲	1008637	(10000000- 20000000 ) Seal, Org, 1.48id 1.76od	1
∇	1228252	(10000000- 10972171 ) Hose Assy, Drain, 1.5d 014l 2/1.5cap Pvc (Black - Standard) (Replaced by 1248221 - Pinch Cuff Screw Cap Style)	1
▲∇	1218955	(10000000- 10972171 ) Cap, Drain Assy [Black]	1
▲▲	1008637	(10000000- 20000000 ) Seal, Org, 1.48id 1.76od	1
	9015758	(10000000- 20000000 ) Seal, Tank, Soltn, Ci [T500/T500e]	1
	1066431	(10000000- 20000000 ) Seal, Afmkt, Bulb, Dual, 03ft [F/.30gap](Soltn Tank Front)	1
	1212422	(10000000- 20000000 ) Caster, Swivel [Wicke 224051]	2
∇	9004909	(10000000- 11046265 ) Wheel Kit, Solid, Ci [T5 T5e Ss5] (No Longer Available - Replaced By 1223583 Qty 2)	1
	1223582	(11046266- 20000000 ) Wheel, Scrbr, 8.00d, W/ Taper	2
▲	1223583	(10000000- 11046265 ) Wheel, Scrbr, 213mm, W/ Taper	2
∇	1031723	(10000000- 20000000 ) Motor, Transaxle, 24vdc, Afmkt [T5]	1
▲	614166	(10000000- 20000000 ) Brush Kit, Carbon, Transaxle, Replmt [4]	1
∇	1219312	(10000000- 20000000 ) Fan, Vacuum, 5.7d, 024vdc, 2 Stage (Canada Also Require Qty 1 Ferrite #1065665)	1
▲	372883	(10000000- 20000000 ) Vr, Brush Kit, Motor, Ele	1
	1065665	(10000000- 20000000 ) Inductor, 32.3mm [Ferrite 10- 250mhz] (Canada Only)	1
	100038	(10000000- 20000000 ) Gasket, .50, 02.63id 05.75od, Adh [Epdm]	1
∇	1211537	(10000000- 20000000 ) Filter, In- Line, Pf06/Pf06 080m 2.6l Epd	1
▲	1218885	(10000000- 20000000 ) Gasket [Epdm, F/1211537]	1
▲	1218883	(10000000- 20000000 ) Screen, Fltr, 80 Mesh, Ss [W/ Cage]	1
▲	613991	(10000000- 20000000 ) Bowl, Clr, Short, F/1005302	1
	9021553	(SEP2022- 20000000 ) Module Kit, Replmt [Ec- H2o, B 02] (Includes Cartridge)	1
	9020643	(10983853- AUG2022 ) Module Kit, Replmt [Ec- H2o, B 02] (Includes Cartridge) (Replaced By 9021553)	1
	9011810	(10000000- 10983852 ) Module Kit, Replmt [Ec- H2o, B 02] (Includes Cartridge) (Replaced By 9021553)	1
	9014127	(10000000- 20000000 ) Controller Kit, Replmt [Ec- H2o Nc] (Includes Cartridge)	1
	9013646	(10000000- 20000000 ) Cartridge, Ec- H2o Nanoclean Wcm, 270ml	1
∇	1247144	(10951746- 10972171 ) Hose Assy, Drain, 1.5id X 21.0l [Pu] (Gray - Option) (No Longer Available - Replaced by 1248221 Black PVC)	1
▲∇	1247319	(10951746- 10972171 ) Cap, Drain Assy, D- Ring [Gray] (No Longer Available - Replaced by 1248221 Black PVC)	1
▲▲	1008637	(10000000- 20000000 ) Seal, Org, 1.48id 1.76od	1
∇	9015727	(10000000- 10951745 ) Hose Kit, Drain, Pu, W/ Valve, Ci[T500e] (Gray - Option) (No Longer Available - Replaced by 1248221 Black PVC Pinch Cuff Screw Cap Style)	1
▲	1051986	(10000000- 10951745 ) Valve, Ball, 2way, 1.0id Pvc, W/Handle (No Longer Available - Replaced by 1248221 Black PVC Pinch Cuff Screw Cap Style)	1
▲	1228335	(10000000- 10951745 ) Hose Assy, W/2cuff,1.5d 022l 2.0/1.5[Pu] (Gray - Option)	1
▲	1229567	(10000000- 10951745 ) Strap, Hanger	1

# RECOMMENDED MAINTENANCE ITEMS

---

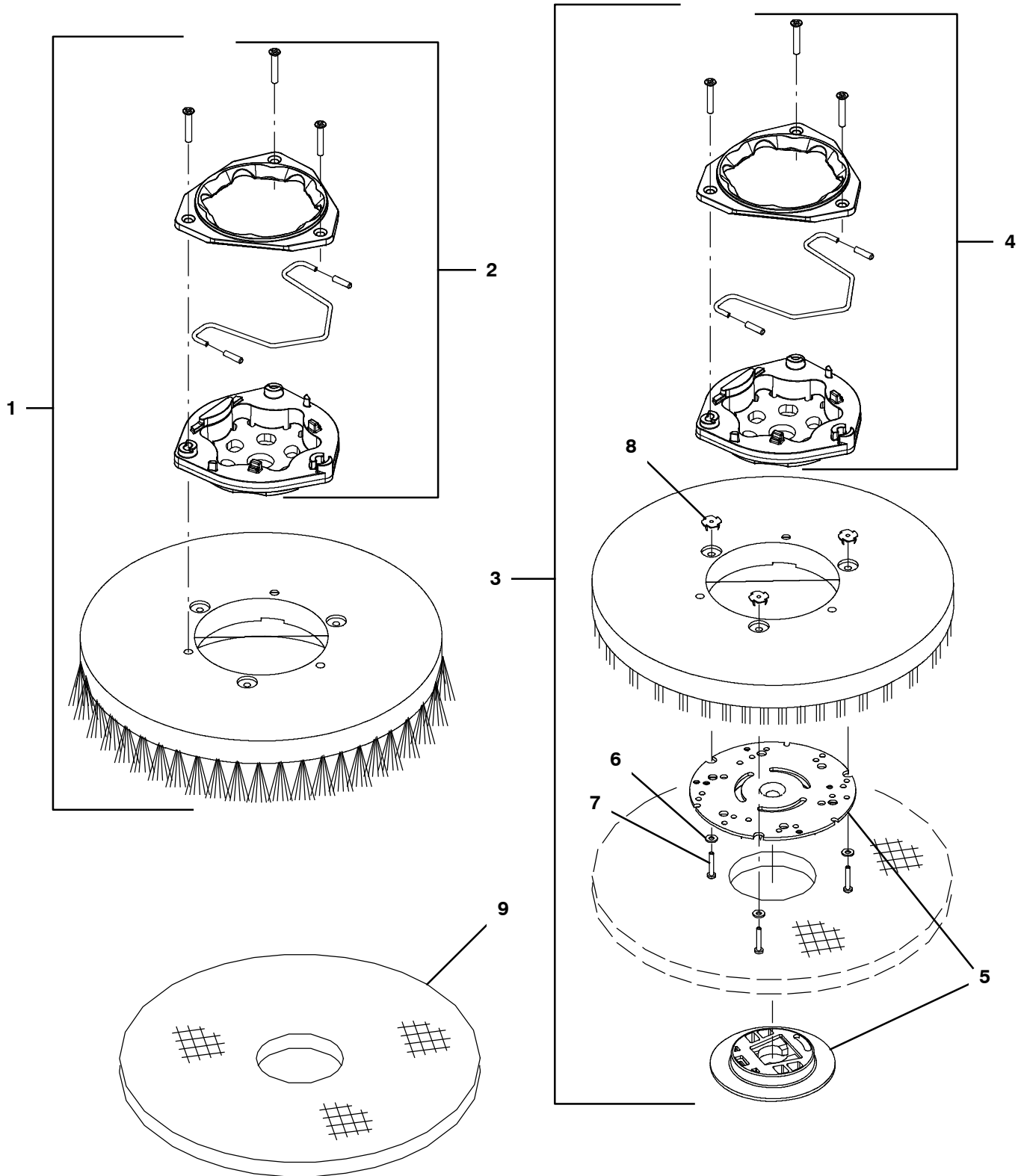
## GENERAL RECOMMENDED MAINTENANCE ITEMS

	<b>Part No.</b>	<b>Serial Number</b>	<b>Description</b>	<b>Qty.</b>
▽	1023067	(10000000- 20000000 )	Motor, Ele, 24vdc 0220rpm 0.75hp Gear (Disk Head) (Canada Also Requires Ferrite Qty 2 #1227867 & Qty 1 #1065665)	2
▲	1031775	(10000000- 20000000 )	Brush Kit, Carbon, Motor, Replmt [T5] (Disk Head)	1
	1227867	(10000000- 20000000 )	Inductor, Ferrite [Split Case,407@100hz] (Canada Only)	4
	1065665	(10000000- 20000000 )	Inductor, 32.3mml [Ferrite 10- 250mhz] (Canada Only)	2
▽	1223429	(10000000- 20000000 )	Motor, Ele, 24vdc 1500rpm 0.60hp (Cylindrical Head) (Canada Also Require Qty 1 Ferrite #1065665)	2
▲	1031775	(10000000- 20000000 )	Brush Kit, Carbon, Motor, Replmt [T5] (Cylindrical Head)	1
	1065665	(10000000- 20000000 )	Inductor, 32.3mml [Ferrite 10- 250mhz] (Canada Only)	2
▽	1219913	(10000000- 20000000 )	Motor, Ele, 24vdc, 2200rpm, 0.75hp 28.0a (Orbital Head)	1
▲	1059370	(10000000- 20000000 )	Brush, Motor, Replmt [Bag Of 4) (Orbital Head)	1



REPLACEMENT BRUSHES AND PAD DRIVER DISK

355426



## REPLACEMENT BRUSHES AND PAD DRIVER DISK

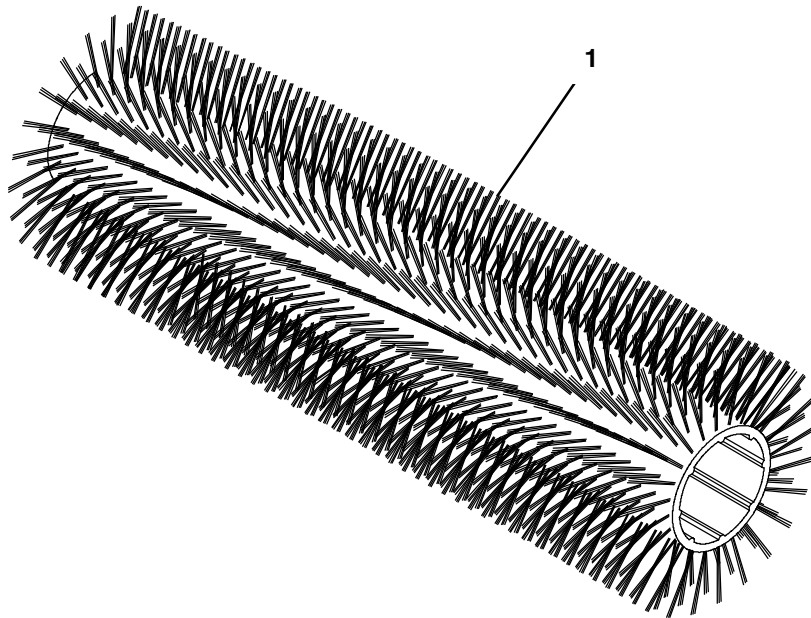
Ref.	Part No.	Serial Number	Description	Qty.
▽	1	1223989	(10000000- 20000000 ) Brush Assy, Disk, Scb, 13.0d, Pyp	2
▽	1	1223991	(10000000- 20000000 ) Brush Assy, Disk, Scb, 13.0d, Nyl	2
▽	1	1223990	(10000000- 20000000 ) Brush Assy, Disk, Scb, 13.0d, Sab	2
▽	1	1220218	(10000000- 20000000 ) Brush Assy, Disk, Scb, 14.0d, Pyp	2
▽	1	1221541	(10000000- 20000000 ) Brush Assy, Disk, Scb, 14.0d, Nyl	2
▽	1	1220217	(10000000- 20000000 ) Brush Assy, Disk, Scb, 14.0d, Sab	2
▽	1	1220216	(10000000- 20000000 ) Brush Assy, Disk, Scb, 16.0d, Pyp	2
▽	1	1220215	(10000000- 20000000 ) Brush Assy, Disk, Scb, 16.0d, Nyl	2
▽	1	1220214	(10000000- 20000000 ) Brush Assy, Disk, Scb, 16.0d, Sab	2
▲	2	9014667	(10000000- 20000000 ) Brush Kit, Hub Assy, Drive, Ci [Comm]	1
▽	3	1220220	(10000000- 20000000 ) Driver Assy, Pad, 13.0d, Brush	2
▽	3	1220221	(10000000- 20000000 ) Driver Assy, Pad, 14.0d, Brush	2
▽	3	1220222	(10000000- 20000000 ) Driver Assy, Pad, 16.0d, Brush	2
▲	4	9014667	(10000000- 20000000 ) Brush Kit, Hub Assy, Drive, Ci [Comm]	1
▲	5	370095	(10000000- 20000000 ) Device, Centering, Clip On, TI [Gf Pp]	1
▲	6	41579	(10000000- 20000000 ) Washer, Flat, 08, Ss	3
▲	7	04403	(10000000- 20000000 ) Screw, Pan, Phl, M4 X 0.70 X 25, Nl, Ss	3
▲	8	10908	(10000000- 20000000 ) Nut, T, M4 X 0.70	3
	9	1243567	(10000000- 20000000 ) Pad, Stripper, 13.0d, Brn [1pick=1ctn]	2
	9	1243655	(10000000- 20000000 ) Pad, Scb, 13.0d Blu [1pick=1ctn]	2
	9	1243341	(10000000- 20000000 ) Pad, Buff, 13.0d, Red [1pick=1ctn]	2
	9	1243342	(10000000- 20000000 ) Pad, Polish, 13.0d, White [1pick=1ctn]	2
	9	1243666	(10000000- 20000000 ) Pad, Surf Prep, 13.0d Maroon[1pick=1ctn]	2
	9	1240356	(10000000- 20000000 ) Pad, Polish, 13.0d, Yel [1pick=1ctn]	2
	9	1243657	(10000000- 20000000 ) Pad, Stripping, 14.0d Brown [1pick=1ctn]	2
	9	1243344	(10000000- 20000000 ) Pad, Scb, 14.0d, Blu [1pick=1ctn]	2
	9	1243656	(10000000- 20000000 ) Pad, Buff, 14.0d Red [1pick=1ctn]	2
	9	1243343	(10000000- 20000000 ) Pad, Polish, 14.0d, White [1pick=1ctn]	2
	9	1243658	(10000000- 20000000 ) Pad, Strip, 14.0d Blk[Hi Prod1pick=1ctn]	2
	9	1243667	(10000000- 20000000 ) Pad, Surf Prep, 14.0d Maroon[1pick=1ctn]	2
	9	1240389	(10000000- 20000000 ) Pad, Polish, 14.0d, Yel [1pick=1ctn]	2
	9	1243685	(10000000- 20000000 ) Pad, Stripping, 16.0d, Brn [1pick=1ctn]	2
	9	1243354	(10000000- 20000000 ) Pad, Scb, 16.0d, Blu [1pick=1ctn]	2
	9	1243355	(10000000- 20000000 ) Pad, Buff, 16.0d, Red [1pick=1ctn]	2
	9	1243356	(10000000- 20000000 ) Pad, Polish, 16.0d, White [1pick=1ctn]	2
	9	1243659	(10000000- 20000000 ) Pad, Strip, 16.0d Blk[Hi Prod1pick=1ctn]	2
	9	1243668	(10000000- 20000000 ) Pad, Surf Prep, 16.0d Maroon[1pick=1ctn]	2
	9	1240390	(10000000- 20000000 ) Pad, Polish, 16.0d, Yel [1pick=1ctn]	2

▽ ASSEMBLY

▲ INCLUDED IN ASSEMBLY

REPLACEMENT BRUSHES CYLINDRICAL

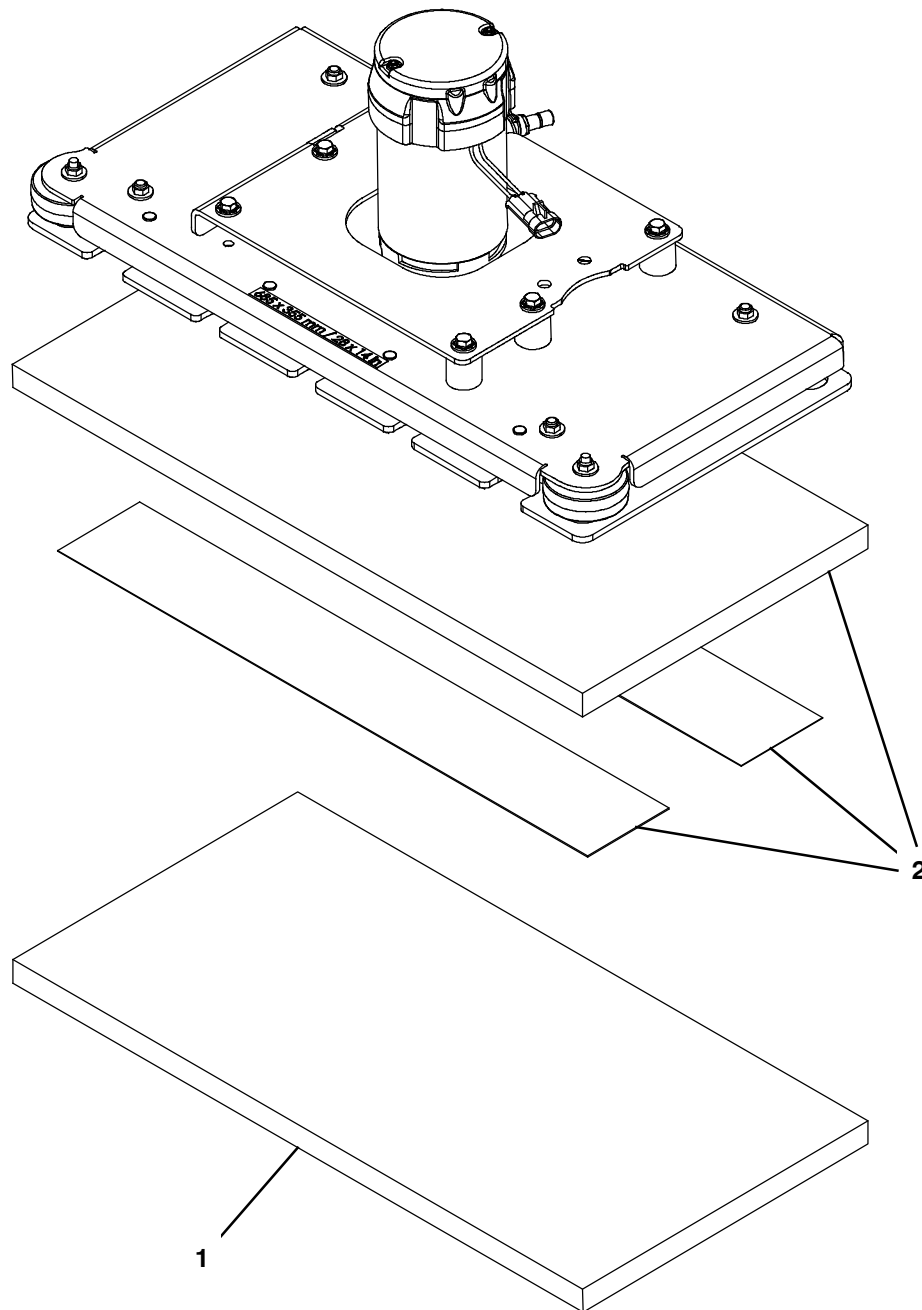
355427



Ref.	Part No.	Serial Number	Description	Qty.
1	222304	(10000000-20000000 )	Brush, Scb, 28l, 18sr, Pyp, Spl	2
1	222305	(10000000-20000000 )	Brush, Scb, 28l, 18sr, Nyl, Spl	2
1	222306	(10000000-20000000 )	Brush, Scb, 28l, 18sr, Abr, Spl	2

REPLACEMENT PADS ORBITAL

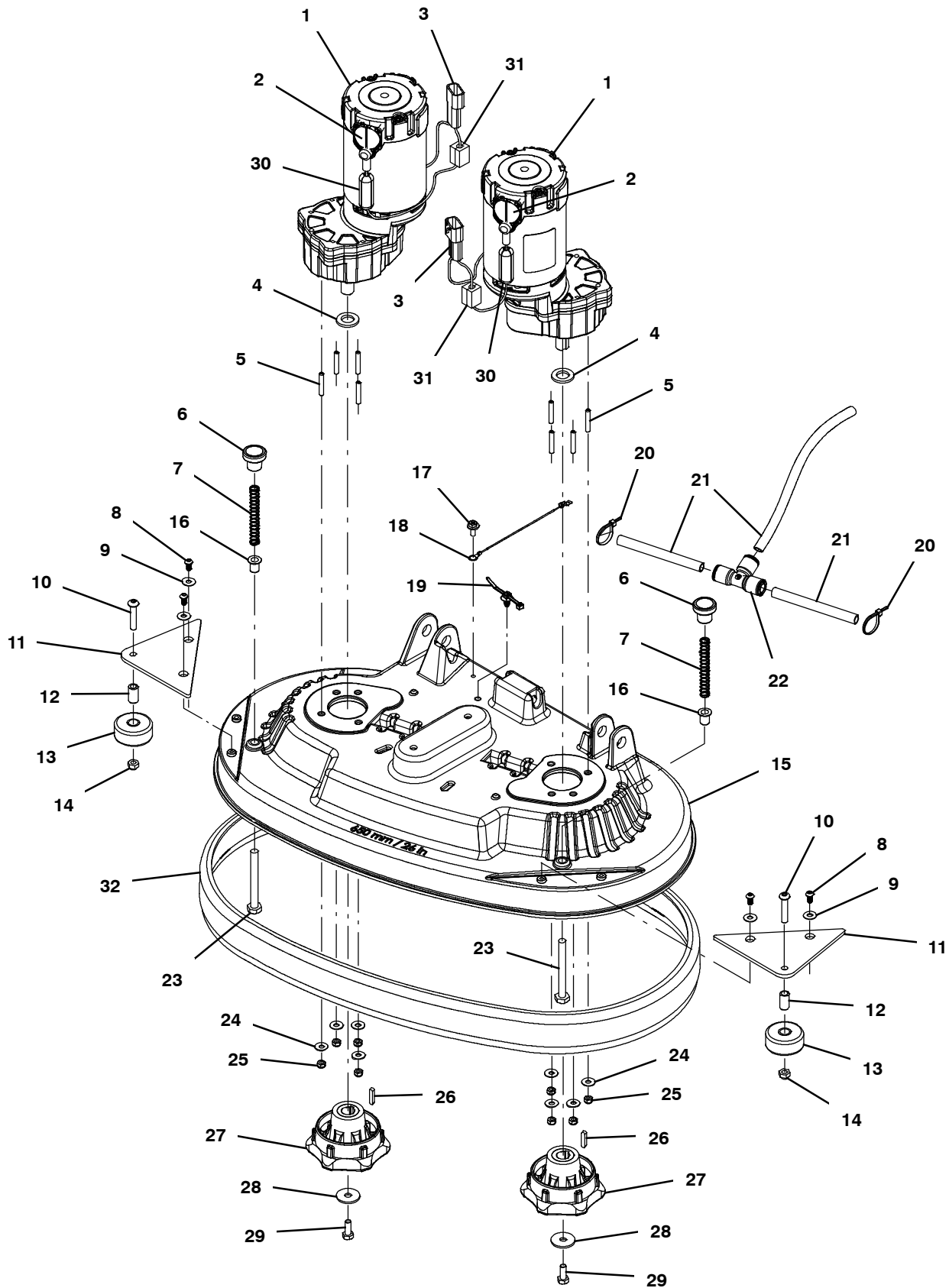
355478



Ref.	Part No.	Serial Number	Description	Qty.
1	1223247	(10000000- 20000000 )	Pad, Scb, 28 X 14, Blu [1pc=1pad]	1
1	1244690	(10000000- 20000000 )	Pad, Buff, 28 X 14, Red [1pick=1ctn]	1
1	1223246	(10000000- 20000000 )	Pad, Polish, 28 X 14, White [1pc=1pad]	1
1	1223248	(10000000- 20000000 )	Pad, Surf Prep, 28 X 14, Mar [1pc=1pad]	1
1	1223250	(10000000- 20000000 )	Pad, Scb, 28 X 14, Green [1pick=1ctn]	1
1	1075563	(10000000- 20000000 )	Pad, Stripping, 28 X 14, Blk [1pick=1ctn]	1
1	1228002	(10000000- 20000000 )	Pad, Melamine, 14" X 28" [Case Of 5]	1
1	1240343	(10000000- 20000000 )	Pad, Polish, 28 X 14, Yel [1pick=1ctn]	1
2	1221839	(10000000- 20000000 )	Pad, Backer, 28 X 14 (Includes Velcro Fasteners)	1

SCRUB HEAD GROUP, DISK 650MM / 26IN

355666





## SCRUB HEAD GROUP, DISK 650MM / 26IN

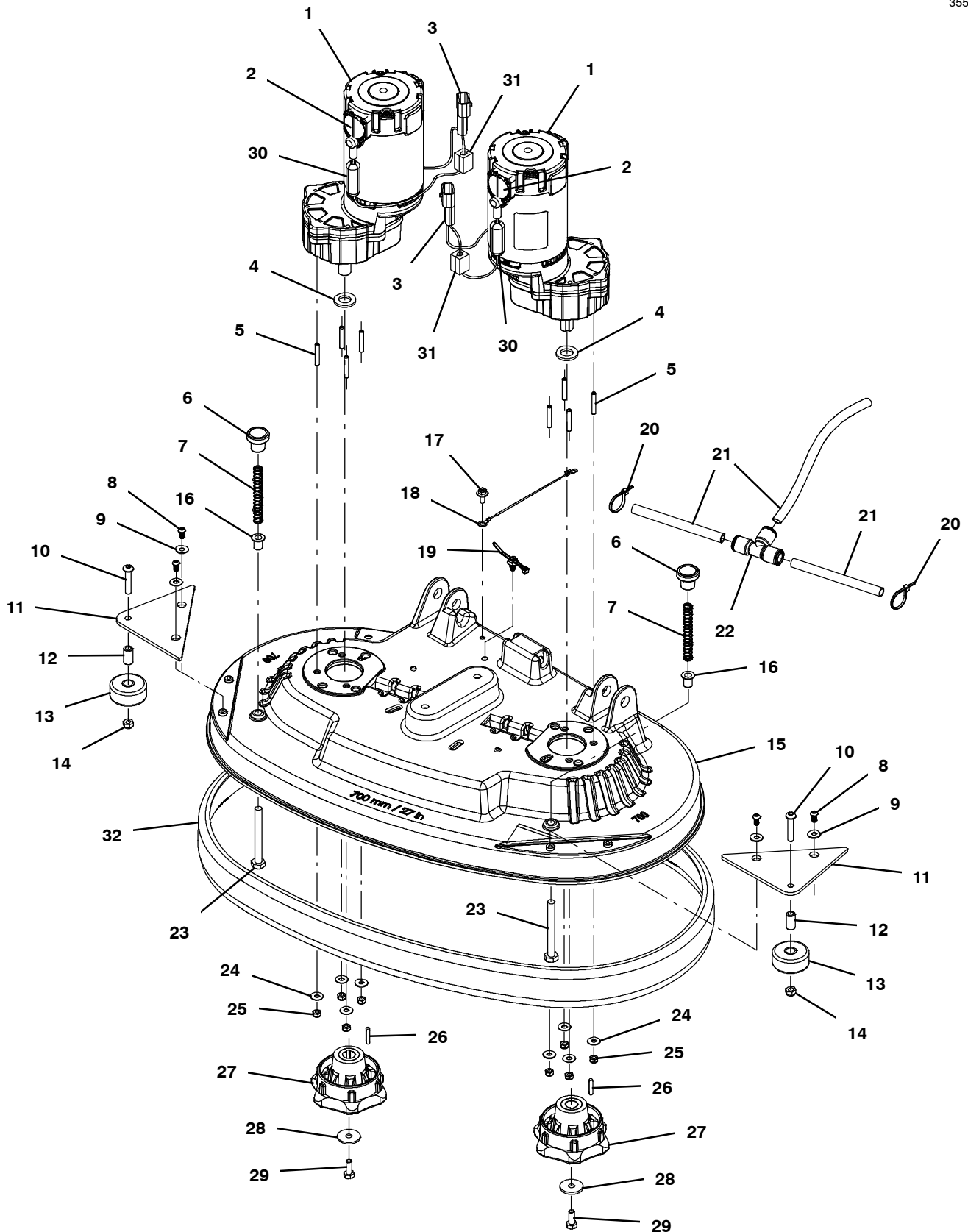
Ref.	Part No.	Serial Number	Description	Qty.
▽	1	1023067	(10000000- 20000000 ) Motor, Ele, 24vdc 0220rpm 0.75hp Gear (Canada Also Requires Ferrite Qty 2 #1227867 & Qty 1 #1065665)	2
▲	2	1031775	(10000000- 20000000 ) Brush Kit, Carbon, Motor, Replmt [T5]	1
▲	3	1031681	(10000000- 20000000 ) Harness, Connector, Brush- Motor [T5] Us	1
	4	1022549	(10000000- 20000000 ) Spacer, Shaft, 17.15b 30.0d 3.0l, Ss	2
	5	1025853	(10000000- 20000000 ) Screw, Set, M6 X 1.00 X 35, NI, Ss	8
	6	1222988	(10000000- 20000000 ) Knob, Rnd, 31.0d 27.0l M10, Plstc	2
	7	626081	(10000000- 20000000 ) Spring, Cmpr, 0.48od .04wir 03.5l	2
	8	1227865	(10000000- 20000000 ) Screw, Trs, M6 X 1.0 X 12, Phl, Ss, NI	4
	9	01684	(10000000- 20000000 ) Washer, Flat, 0.27b 0.69d .05, Ss	4
	10	397826	(10000000- 20000000 ) Screw, Btn, M8 X 1.25 X 40, Ss	2
	11	1227709	(10000000- 20000000 ) Bracket, Roller, Wall	2
	12	222496	(10000000- 20000000 ) Sleeve, P/M, 0.32b 0.50d 0.9l [430ss]	2
	13	222403	(10000000- 20000000 ) Wheel, 02.0d 0.88w 0.50b	2
	14	08713	(10000000- 20000000 ) Nut, Hex, Lock, M8 X 1.25, NI, Ss	2
▽	15	9018835	(10000000- 20000000 ) Housing, Disc, 65cm, Afmkt [T600, Na,Ce]	1
▲	16	1247152	(10000000- 20000000 ) Bushing, Flng, 10mmb 12mmd 17mml	2
	17	1034731	(10000000- 20000000 ) Screw, Hex, M6 X 1.00 X 16, Sems, Ss	1
	18	1074344	(10000000- 20000000 ) Harness, Ele [Ring With .250m Tail]	1
	19	1210807	(10000000- 20000000 ) Wire, Tie [W/.25" Fir Tree Clip]	1
	20	130773	(10000000- 20000000 ) Tie, Cable, Nyl, 11.0l, .14w, 3.0 Max. D	2
	21	9014145	(10000000- 20000000 ) Hose, Afmkt, Pe, .375id .50od, 05ft	1
	22	1212858	(10000000- 20000000 ) Fitting, Plstc, Tee, Qf08/Qf08/Qf08	1
	23	09746	(10000000- 20000000 ) Screw, Hex, M10 X 1.50 X 90, Ss	2
	24	01684	(10000000- 20000000 ) Washer, Flat, 0.27b 0.69d .05, Ss	8
	25	08712	(10000000- 20000000 ) Nut, Hex, Lock, M6 X 1.00, NI, Ss	8
	26	1014328	(10000000- 20000000 ) Key, Sq, 05mm X 05mm, 25mml	2
	27	1071637	(10000000- 20000000 ) Hub, Drive, Brush, Disk, 17mmb	2
	28	1017218	(10000000- 20000000 ) Washer, Flat, 0.32b 1.00d .12, Ss	2
	29	12273	(10000000- 20000000 ) Screw, Hex, M8 X 1.25 X 20, NI, Ss	2
	30	1227867	(10000000- 20000000 ) Inductor, Ferrite [Split Case,407@100hz] (Canada Only)	4
	31	1065665	(10000000- 20000000 ) Inductor, 32.3mml [Ferrite 10- 250mhz] (Canada Only)	2
	32	1232324	(10000000- 20000000 ) Bumper, Head, 65cm, Skirt, Im	1

▽ ASSEMBLY

▲ INCLUDED IN ASSEMBLY

SCRUB HEAD GROUP, DISK 700MM / 28IN

355667



## SCRUB HEAD GROUP, DISK 700MM / 28IN

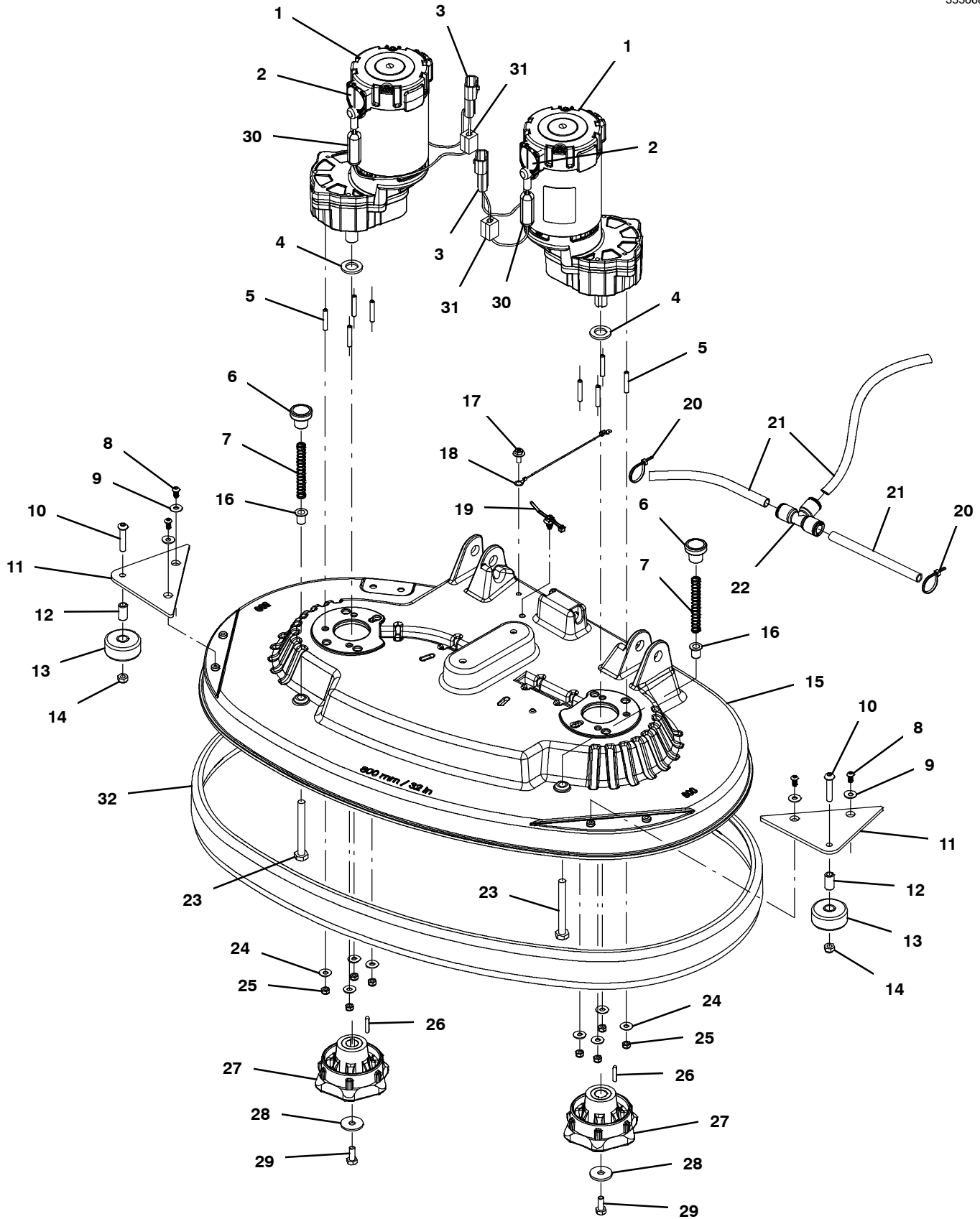
Ref.	Part No.	Serial Number	Description	Qty.
▽	1	1023067	(10000000- 20000000 ) Motor, Ele, 24vdc 0220rpm 0.75hp Gear (Canada Also Requires Ferrite Qty 2 #1227867 & Qty 1 #1065665)	2
▲	2	1031775	(10000000- 20000000 ) Brush Kit, Carbon, Motor, Replmt [T5]	1
▲	3	1031681	(10000000- 20000000 ) Harness, Connector, Brush- Motor [T5] Us	1
	4	1022549	(10000000- 20000000 ) Spacer, Shaft, 17.15b 30.0d 3.0l, Ss	2
	5	1025853	(10000000- 20000000 ) Screw, Set, M6 X 1.00 X 35, NI, Ss	8
	6	1222988	(10000000- 20000000 ) Knob, Rnd, 31.0d 27.0l M10, Plstc	2
	7	626081	(10000000- 20000000 ) Spring, Cmpr, 0.48od .04wir 03.5l	2
	8	1227865	(10000000- 20000000 ) Screw, Trs, M6 X 1.0 X 12, Phl, Ss, NI	4
	9	01684	(10000000- 20000000 ) Washer, Flat, 0.27b 0.69d .05, Ss	4
	10	397826	(10000000- 20000000 ) Screw, Btn, M8 X 1.25 X 40, Ss	2
	11	1227709	(10000000- 20000000 ) Bracket, Roller, Wall	2
	12	222496	(10000000- 20000000 ) Sleeve, P/M, 0.32b 0.50d 0.9l [430ss]	2
	13	222403	(10000000- 20000000 ) Wheel, 02.0d 0.88w 0.50b	2
	14	08713	(10000000- 20000000 ) Nut, Hex, Lock, M8 X 1.25, NI, Ss	2
▽	15	9018824	(10000000- 20000000 ) Housing, Disc, 70cm, Afmkt [T600, Na,Ce]	1
▲	16	1247152	(10000000- 20000000 ) Bushing, Flng, 10mmb 12mmd 17mml	2
	17	1034731	(10000000- 20000000 ) Screw, Hex, M6 X 1.00 X 16, Sems, Ss	1
	18	1074344	(10000000- 20000000 ) Harness, Ele [Ring With .250m Tail]	1
	19	1210807	(10000000- 20000000 ) Wire, Tie [W/.25" Fir Tree Clip]	1
	20	130773	(10000000- 20000000 ) Tie, Cable, Nyl, 11.0l, .14w, 3.0 Max. D	2
	21	9014145	(10000000- 20000000 ) Hose, Afmkt, Pe, .375id .50od, 05ft	1
	22	1212858	(10000000- 20000000 ) Fitting, Plstc, Tee, Qf08/Qf08/Qf08	1
	23	09746	(10000000- 20000000 ) Screw, Hex, M10 X 1.50 X 90, Ss	2
	24	01684	(10000000- 20000000 ) Washer, Flat, 0.27b 0.69d .05, Ss	8
	25	08712	(10000000- 20000000 ) Nut, Hex, Lock, M6 X 1.00, NI, Ss	8
	26	1014328	(10000000- 20000000 ) Key, Sq, 05mm X 05mm, 25mml	2
	27	1071637	(10000000- 20000000 ) Hub, Drive, Brush, Disk, 17mmb	2
	28	1017218	(10000000- 20000000 ) Washer, Flat, 0.32b 1.00d .12, Ss	2
	29	12273	(10000000- 20000000 ) Screw, Hex, M8 X 1.25 X 20, NI, Ss	2
	30	1227867	(10000000- 20000000 ) Inductor, Ferrite [Split Case,407@100hz] (Canada Only)	4
	31	1065665	(10000000- 20000000 ) Inductor, 32.3mml [Ferrite 10- 250mhz] (Canada Only)	2
	32	1232325	(10000000- 20000000 ) Bumper, Head, 70cm, Skirt, Im	1

▽ ASSEMBLY

▲ INCLUDED IN ASSEMBLY

SCRUB HEAD GROUP, DISK 800MM / 32IN

355668



## SCRUB HEAD GROUP, DISK 800MM / 32IN

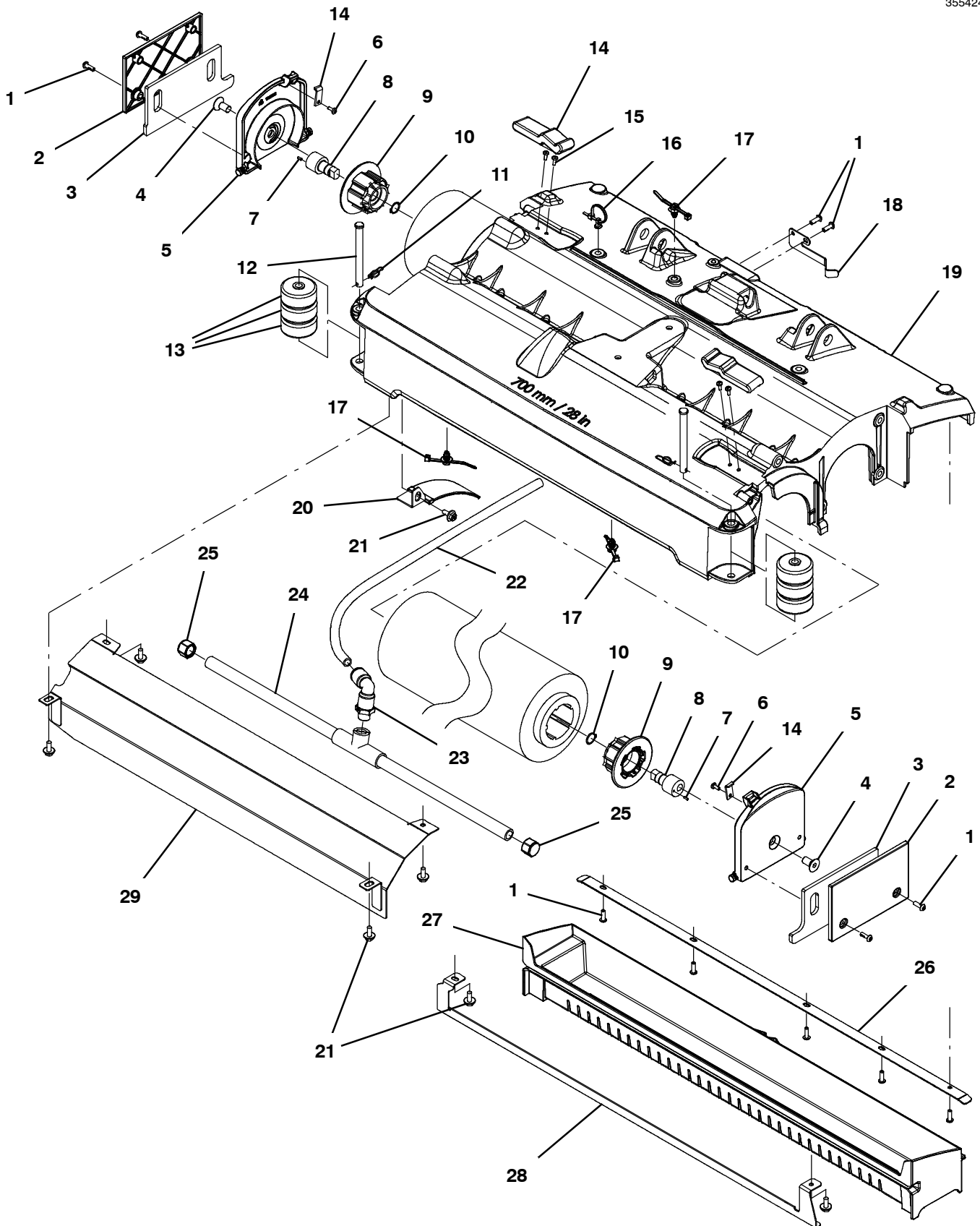
Ref.	Part No.	Serial Number	Description	Qty.
▽	1	1023067	(10000000- 20000000 ) Motor, Ele, 24vdc 0220rpm 0.75hp Gear (Canada Also Requires Ferrite Qty 2 #1227867 & Qty 1 #1065665)	2
▲	2	1031775	(10000000- 20000000 ) Brush Kit, Carbon, Motor, Replmt [T5]	1
▲	3	1031681	(10000000- 20000000 ) Harness, Connector, Brush- Motor [T5] Us	1
	4	1022549	(10000000- 20000000 ) Spacer, Shaft, 17.15b 30.0d 3.0l, Ss	2
	5	1025853	(10000000- 20000000 ) Screw, Set, M6 X 1.00 X 35, NI, Ss	8
	6	1222988	(10000000- 20000000 ) Knob, Rnd, 31.0d 27.0l M10, Plstc	2
	7	626081	(10000000- 20000000 ) Spring, Cmpr, 0.48od .04wir 03.5l	2
	8	1227865	(10000000- 20000000 ) Screw, Trs, M6 X 1.0 X 12, Phl, Ss, NI	4
	9	01684	(10000000- 20000000 ) Washer, Flat, 0.27b 0.69d .05, Ss	4
	10	397826	(10000000- 20000000 ) Screw, Btn, M8 X 1.25 X 40, Ss	2
	11	1227709	(10000000- 20000000 ) Bracket, Roller, Wall	2
	12	222496	(10000000- 20000000 ) Sleeve, P/M, 0.32b 0.50d 0.9l [430ss]	2
	13	222403	(10000000- 20000000 ) Wheel, 02.0d 0.88w 0.50b	2
	14	08713	(10000000- 20000000 ) Nut, Hex, Lock, M8 X 1.25, NI, Ss	2
▽	15	9018823	(10000000- 20000000 ) Housing, Disc, 80cm, Afmkt [T600, Na,Ce]	1
▲	16	1247152	(10000000- 20000000 ) Bushing, Flng, 10mmb 12mmd 17mml	2
	17	1034731	(10000000- 20000000 ) Screw, Hex, M6 X 1.00 X 16, Sems, Ss	1
	18	1074344	(10000000- 20000000 ) Harness, Ele [Ring With .250m Tail]	1
	19	1210807	(10000000- 20000000 ) Wire, Tie [W/.25" Fir Tree Clip]	1
	20	130773	(10000000- 20000000 ) Tie, Cable, Nyl, 11.0l, .14w, 3.0 Max. D	2
	21	9014145	(10000000- 20000000 ) Hose, Afmkt, Pe, .375id .50od, 05ft	1
	22	1212858	(10000000- 20000000 ) Fitting, Plstc, Tee, Qf08/Qf08/Qf08	1
	23	09746	(10000000- 20000000 ) Screw, Hex, M10 X 1.50 X 90, Ss	2
	24	01684	(10000000- 20000000 ) Washer, Flat, 0.27b 0.69d .05, Ss	8
	25	08712	(10000000- 20000000 ) Nut, Hex, Lock, M6 X 1.00, NI, Ss	8
	26	1014328	(10000000- 20000000 ) Key, Sq, 05mm X 05mm, 25mml	2
	27	1071637	(10000000- 20000000 ) Hub, Drive, Brush, Disk, 17mmb	2
	28	1017218	(10000000- 20000000 ) Washer, Flat, 0.32b 1.00d .12, Ss	2
	29	12273	(10000000- 20000000 ) Screw, Hex, M8 X 1.25 X 20, NI, Ss	2
	30	1227867	(10000000- 20000000 ) Inductor, Ferrite [Split Case,407@100hz] (Canada Only)	4
	31	1065665	(10000000- 20000000 ) Inductor, 32.3mml [Ferrite 10- 250mhz] (Canada Only)	2
	32	1232326	(10000000- 20000000 ) Bumper, Head, 80cm, Skirt, Im	1

▽ ASSEMBLY

▲ INCLUDED IN ASSEMBLY

SCRUB HEAD GROUP, CYLINDRICAL 700MM / 28IN

355424

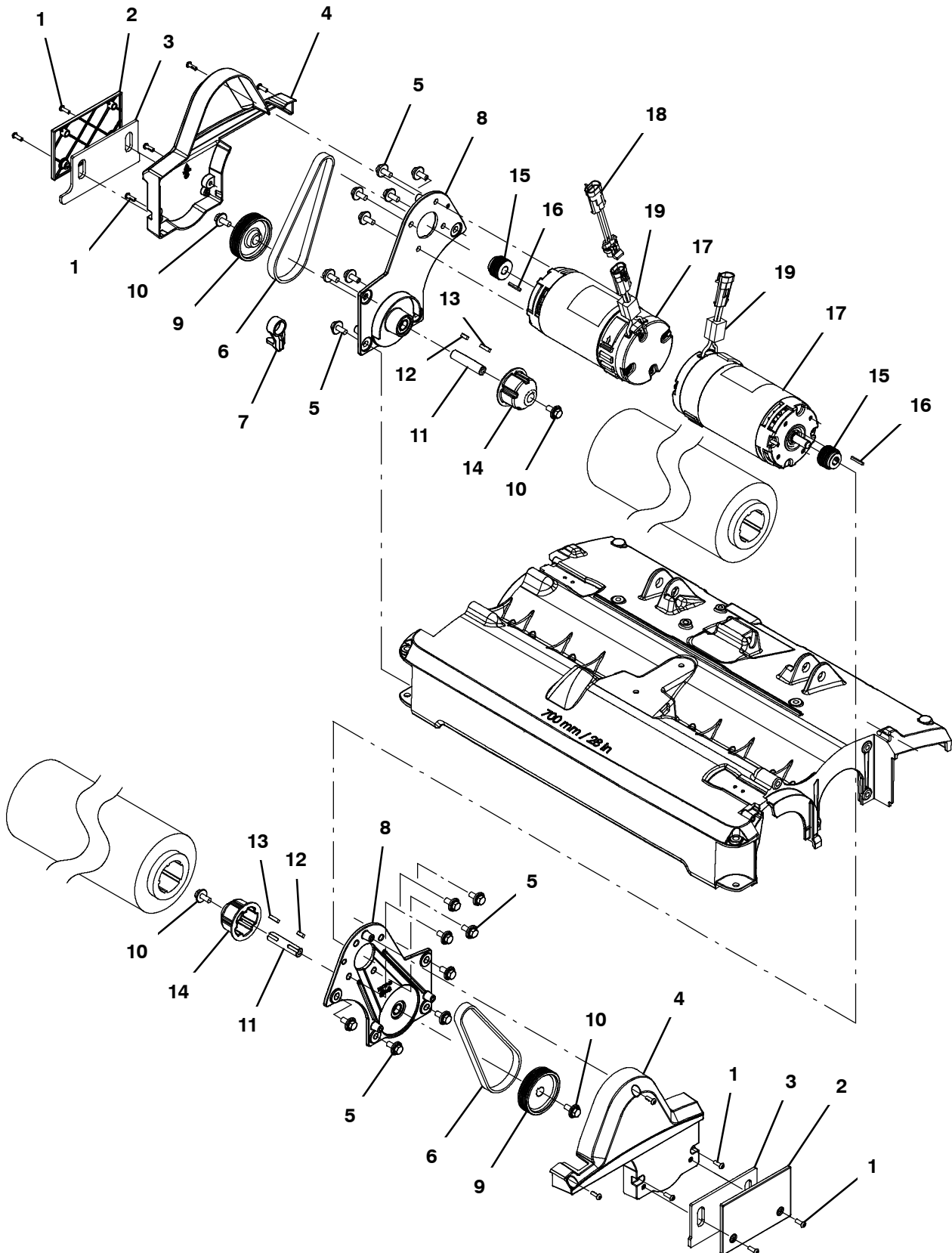


## SCRUB HEAD GROUP, CYLINDRICAL 700MM / 28IN

Ref.	Part No.	Serial Number	Description	Qty.
1	1205799	(10000000-20000000)	Screw, Btn, M5 X 0.8 X 16, 8.8, NI, Torx	2
2	1218032	(10000000-20000000)	Cover, Skirt, 2cyl [T500]	2
3	1218573	(10000000-20000000)	Skirt, Side, Scrb, Cyl [T500]	2
4	390996	(10000000-20000000)	Screw, Flt, Soc, M10 X 1.50 X 20, 10.9, NI	2
5	1218692	(10000000-20000000)	Door, Brush, 2cyl [Machined, T500]	1
6	49697	(10000000-20000000)	Screw, Pan, Phl, M4 X 0.70 X 10, Ss	6
7	222184	(10000000-20000000)	Pin, Roll, .094d X 0.25l, .094/.097	2
8	222177	(10000000-20000000)	Shaft, Plug, Idler	2
9	1057629	(10000000-20000000)	Plug, Idler, Brush [Sgl Brg]	2
10	01516	(10000000-20000000)	Ring, Retaining, Ext, 0.59d, Basic	2
11	1216647	(10000000-20000000)	Pin, Cotter, Hair, 0.38d .054 Wir	2
12	49914	(10000000-20000000)	Pin, Clevis, 0.37d X 4.00l	2
13	630477	(10000000-20000000)	Wheel, Pyu, 02.0d 0.38w, Gray	6
14	1207285	(10000000-20000000)	Latch, Draw, Rbr, W/ Keeper, Yellow	2
15	49697	(10000000-20000000)	Screw, Pan, Phl, M4 X 0.70 X 10, Ss	6
16	1221161	(10000000-20000000)	Tie, Cable, Nyl, Push Mount, 76mm Max D	1
17	1210807	(10000000-20000000)	Wire, Tie [W/.25" Fir Tree Clip]	3
18	1218242	(10000000-20000000)	Bracket, Spring, Tray, Debris [T500]	1
19	1217942	(10000000-20000000)	Housing, Cyl, 70cm [Machined]	1
20	1029358	(10000000-20000000)	Deflector, Water, Cyl Head	1
21	1034731	(10000000-20000000)	Screw, Hex, M6 X 1.00 X 16, Sems, Ss	7
22	9014145	(10000000-20000000)	Hose, Afmkt, Pe, .375id .50od, 05ft	1
23	1212987	(10000000-20000000)	Fitting, Plstc, E90, Qf08/Pm06, Swivel	1
24	1046049	(10000000-20000000)	Tube Assy, Bar, Spray, 70cm [T5, 5680]	1
25	1025580	(10000000-20000000)	Fitting, Pipe, Cap, P06, Nyl	2
26	1218153	(10000000-20000000)	Bracket, Tray, Debris [T500]	1
27	1218144	(10000000-20000000)	Tray, Debris, 700mm [lm] [Rhine]	1
28	1218577	(10000000-20000000)	Bracket, Slide, Tray, Debris	1
29	1219969	(10000000-20000000)	Panel Wldt, Wrap, Brush [T500]	1

SCRUB HEAD GROUP, CYLINDRICAL 700MM / 28IN - CONT'D

355430





SCRUB HEAD GROUP, CYLINDRICAL 700MM / 28IN - CONT'D

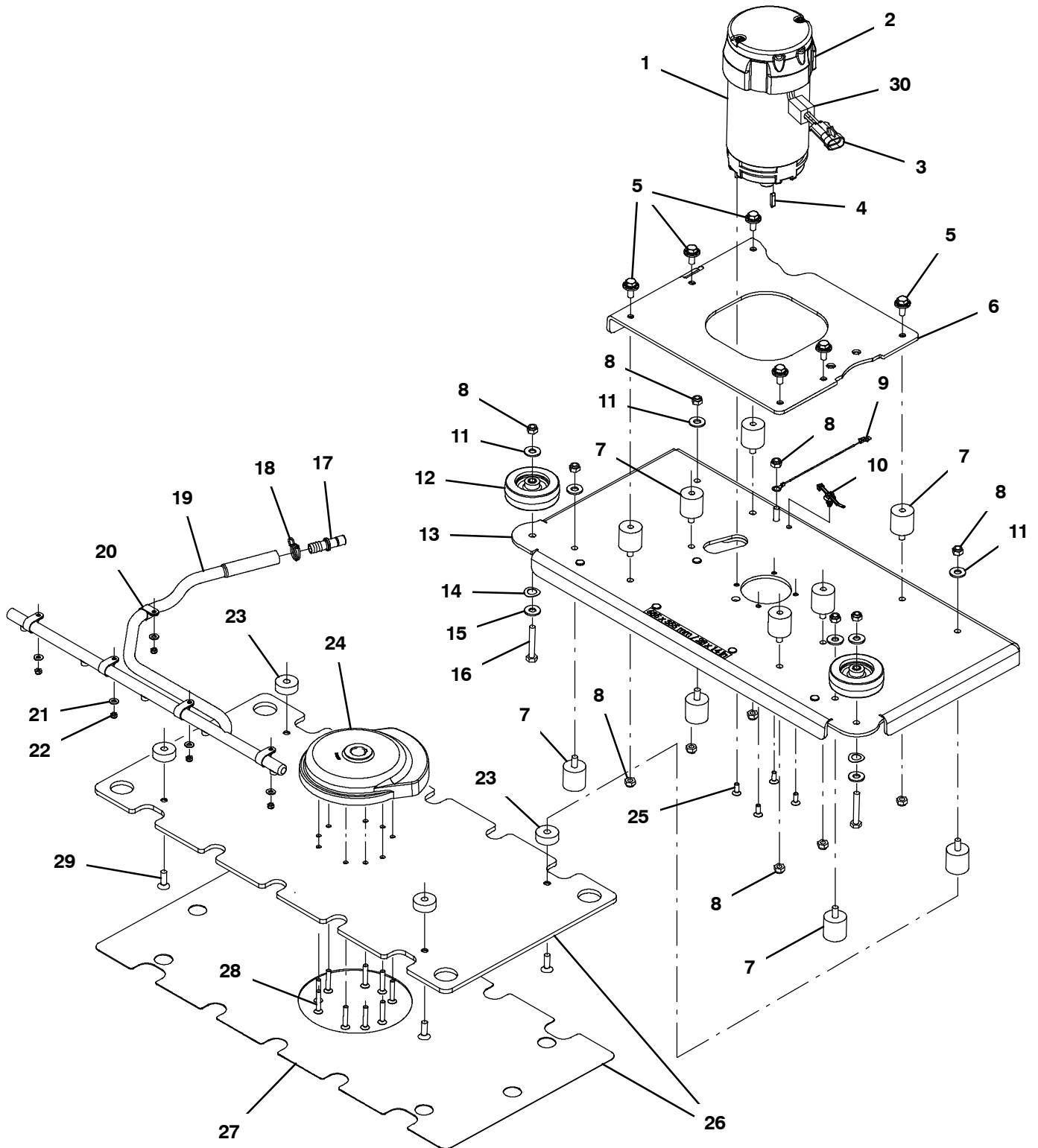
Ref.	Part No.	Serial Number	Description	Qty.
1	1205799	(10000000- 20000000 )	Screw, Btn, M5 X 0.8 X 16, 8.8, NI, Torx	12
2	1218032	(10000000- 20000000 )	Cover, Skirt, 2cyl [T500]	2
3	1218573	(10000000- 20000000 )	Skirt, Side, Scrub, Cyl [T500]	2
4	1218012	(10000000- 20000000 )	Cover, Belt, 2 Cyl [T500]	2
5	1020341	(10000000- 20000000 )	Screw, Hex, M8 X 1.25 X 20, Ss, Sems	16
▽	6	9015765	(10000000- 20000000 ) Belt Replacement Kit (Cylindrical)	1
▲		1035888	(10000000- 20000000 ) Belt, Drive, 6grv, 508 L X 14 W, [6pj]	2
▲	7	1203758	(10000000- 20000000 ) Tool, Installation, Belt	1
▽	8	9018012	(10000000- 20000000 ) Bracket Assy, Motor, Ci (Includes Bearings And Tube - Not Available Separately)	2
▲	9	1035173	(10000000- 20000000 ) Sheave, 06grv, 2.96pd 0.59b, Alm [Pj]	1
▲	10	1020341	(10000000- 20000000 ) Screw, Hex, M8 X 1.25 X 20, Ss, Sems	2
▲	11	1021050	(10000000- 20000000 ) Shaft, Drive, 15.0d X 65.5l [T5, 1610]	1
▲	12	00961	(10000000- 20000000 ) Key, Sq, 0.19 X 0.19, 0.50l	1
▲	13	00911	(10000000- 20000000 ) Key, Sq, 0.19 X 0.19, 0.75l	1
▲	14	378805	(10000000- 20000000 ) Plug, Drive, Brush, Mach	1
	15	1033528	(10000000- 20000000 ) Sheave, 06grv, 1.33pd 0.50b, Alm [Pj]	2
	16	00954	(10000000- 20000000 ) Key, Sq, 0.12 X 0.12, 1.00l	2
▽	17	1223429	(10000000- 20000000 ) Motor, Ele, 24vdc 1500rpm 0.60hp (Canada Also Require Qty 1 Ferrite #1065665)	2
▲		1031775	(10000000- 20000000 ) Brush Kit, Carbon, Motor, Replmt [T5]	1
	18	1052895	(10000000- 20000000 ) Harness, Adapter, Motor [T7/T5]	1
	19	1065665	(10000000- 20000000 ) Inductor, 32.3mml [Ferrite 10- 250mhz] (Canada Only)	2

▽ ASSEMBLY

▲ INCLUDED IN ASSEMBLY

SCRUB HEAD GROUP, ORBITAL 700MM / 28IN

355425



## SCRUB HEAD GROUP, ORBITAL 700MM / 28IN

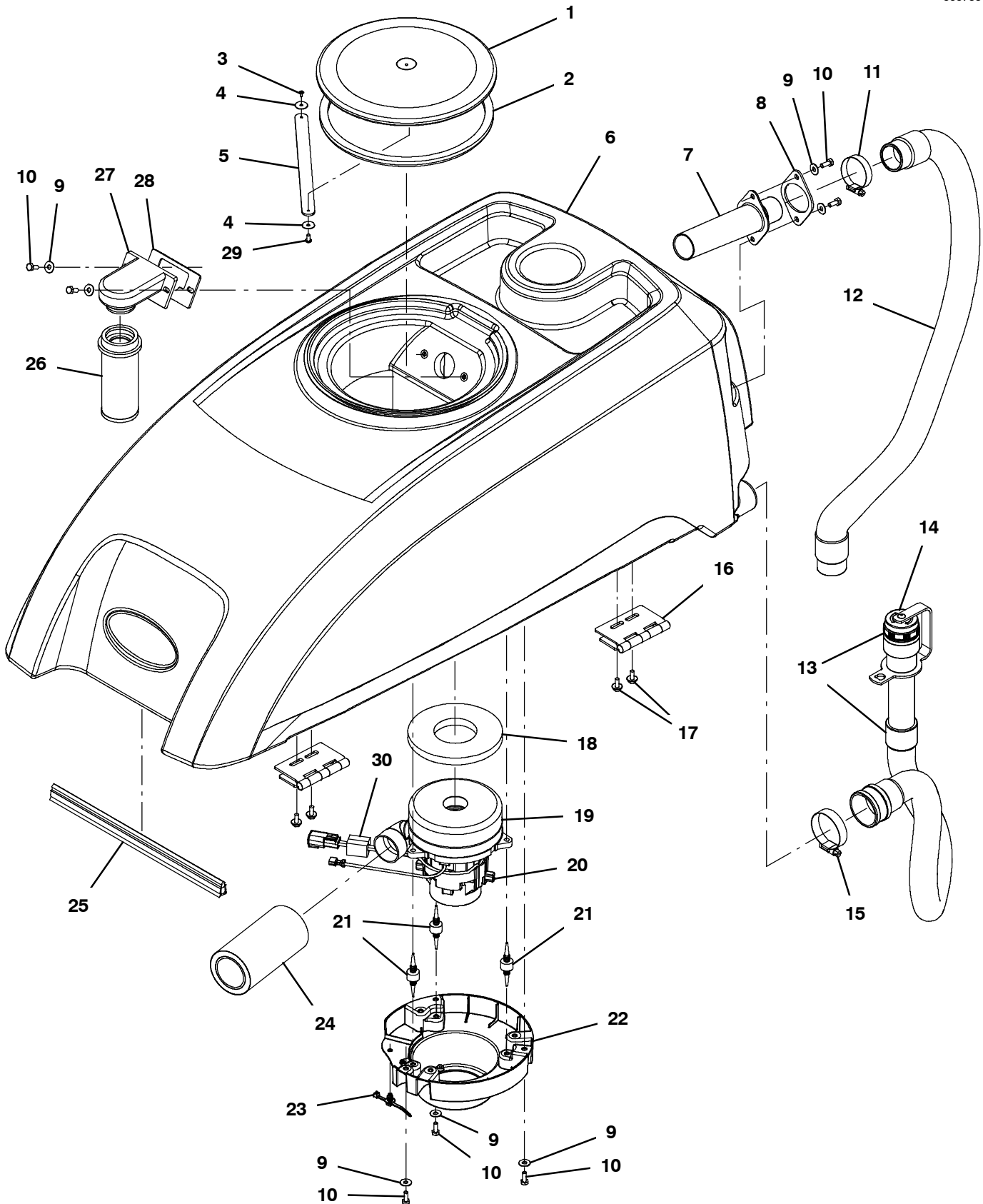
Ref.	Part No.	Serial Number	Description	Qty.
▽	1	1219913	(10000000- 20000000 ) Motor, Ele, 24vdc, 2200rpm, 0.75hp 28.0a (Canada Also Requires Qty 1 Ferrite #1065665)	1
▲	2	1059370	(10000000- 20000000 ) Brush, Motor, Replmt [Bag Of 4]	1
▲	3	1031681	(10000000- 20000000 ) Harness, Connector, Brush- Motor [T5] Us	1
	4	1231238	(10000000- 20000000 ) Key, Sq, 5mm X 5mm X 22mm	1
	5	1020341	(10000000- 20000000 ) Screw, Hex, M8 X 1.25 X 20, Ss, Sems	6
	6	1220910	(10000000- 20000000 ) Bracket Wldt, Mtg, Head	1
	7	1212543	(10000000- 20000000 ) Isolator, Neoprene, 1.25" X 1.25", M8	13
	8	08713	(10000000- 20000000 ) Nut, Hex, Lock, M8 X 1.25, NI, Ss	1
	9	1074344	(10000000- 20000000 ) Harness, Ele [Ring With .250m Tail]	1
	10	1210807	(10000000- 20000000 ) Wire, Tie [W/.25" Fir Tree Clip]	1
	11	01685	(10000000- 20000000 ) Washer, Flat, 0.38b 0.88d .08, Ss	6
	12	1014918	(10000000- 20000000 ) Wheel, 03.0d 0.88w 0.31b, W/ Bshg, Rbr	2
	13	1221766	(10000000- 20000000 ) Housing Wldt, Brush	1
	14	1210221	(10000000- 20000000 ) Washer, Wave, .515b, .875d, .013, Ss	2
	15	01685	(10000000- 20000000 ) Washer, Flat, 0.38b 0.88d .08, Ss	2
	16	49694	(10000000- 20000000 ) Screw, Hex, M8 X 1.25 X 50, Ss	2
	17	1212807	(10000000- 20000000 ) Fitting, Plstc, Str, Qm08/Bm08	1
	18	607776	(10000000- 20000000 ) Clamp, Hose, Wir, .73 - .77, Silver	1
	19	1234853	(10000000- 20000000 ) Manifold, Bar, Spray [28in]	1
	20	140916	(10000000- 20000000 ) Clamp, Cable, Nyl, 0.62d, Nat	5
	21	01683	(10000000- 20000000 ) Washer, Flat, 10, Ss	4
	22	09739	(10000000- 20000000 ) Nut, Hex, Lock, M5 X 0.80, NI, Ss	4
	23	1221850	(10000000- 20000000 ) Spacer, Head	4
	24	9015774	(10000000- 20000000 ) Eccentric Drive Kit, Orbital	1
	25	09163	(10000000- 20000000 ) Screw, Flt, Soc, M6 X 1.00 X 16, 18- 8,Ss	4
▽	26	9015416	(10000000- 20000000 ) Driver Kit, Pad, Ci [T500] (Includes Driver Plate, Driver Face, & Red Buffing Pad)	1
▲	27	1220627	(10000000- 20000000 ) Face, Pad Driver	1
	28	1212710	(10000000- 20000000 ) Screw, Flt, Soc, M6 X 1.00 X 35, 10.9,NI	6
	29	74077	(10000000- 20000000 ) Screw, Flt, Soc, M8 X 1.25 X 25, Ss	4
	30	1065665	(10000000- 20000000 ) Inductor, 32.3mml [Ferrite 10- 250mhz] (Canada Only)	1

▽ ASSEMBLY

▲ INCLUDED IN ASSEMBLY

RECOVERY TANK GROUP, PINCH CUFF SCREW CAP

355733



## RECOVERY TANK GROUP, PINCH CUFF SCREW CAP

Ref.	Part No.	Serial Number	Description	Qty.
▽	1	1017958	(10000000- 20000000 ) Lid Assy, Tank, Recvy	1
▲	2	1017959	(10000000- 20000000 ) Seal, Bulb, Str, 0.50h .50w 032.0l, Adh	1
	3	3701.6	(10000000- 20000000 ) Screw, Pan, Phl, 06- 32 X 0.38, Shtmtl,Ss	1
	4	1009168	(10000000- 20000000 ) Washer, Flat, 0.17b 0.75d .04, Ss	2
	5	1001005	(10000000- 20000000 ) Strap, Retaining, Cover	1
	6	9015761	(10000000- 20000000 ) Kit, Tank, Recvy, Ci [T500e]	1
	7	1021214	(10000000- 20000000 ) Tube, Hose, Adapter, 1.5d [T5]	1
	8	1024602	(10000000- 20000000 ) Gasket, Neo, .13, 1.97id, 2/3.2bc, Adh	1
	9	01684	(10000000- 20000000 ) Washer, Flat, 0.27b 0.69d .05, Ss	7
	10	11329	(10000000- 20000000 ) Screw, Hex, M6 X 1.00 X 16, NI, Ss	7
	11	11531	(10000000- 20000000 ) Clamp, Hose, Wormdrive, 1.06- 2.00d, .56w	1
	12	1211220	(10000000- 20000000 ) Hose Assy,W/2cuff,1.5d 022l 1.5/1.5[Pvc] (Black - Standard)	1
▽	13	1248221	(10972172- 20000000 ) Hose Assy, Drain, 1.5id X 11.0l [Pvc] (Black - Standard)	1
▲▽	14	1232385	(10972172- 20000000 ) Cap, Drain Assy [Black, T500e]	1
▲▲		1008637	(10000000- 20000000 ) Seal, Org, 1.48id 1.76od	1
	15	22297	(10000000- 20000000 ) Clamp, Hose, Wormdrive, 1.56- 2.50d, .50w	1
	16	1217669	(10000000- 20000000 ) Hinge Assy, 7.0 Pin, 11 Ga, 100l X 105w	1
	17	1034731	(10000000- 20000000 ) Screw, Hex, M6 X 1.00 X 16, Sems, Ss	4
	18	100038*	(10000000- 20000000 ) Gasket, .50, 02.63id 05.75od, Adh [Epdm]	1
▽	19	1219312*	(10000000- 20000000 ) Fan, Vacuum, 5.7d, 024vdc, 2 Stage (Canada Also Requires Qty 1 Ferrite #1065665)	1
▲	20	372883	(10000000- 20000000 ) Vr, Brush Kit, Motor, Ele	1
	21	1062016	(10000000- 20000000 ) Isolator, Vib, .75d	3
	22	1207368	(10000000- 20000000 ) Mount, Vacfan, 5.7/6.6	1
	23	1210807	(10000000- 20000000 ) Wire, Tie [W/.25" Fir Tree Clip]	1
	24	1068577	(10000000- 20000000 ) Muffler, Exhaust, Vacfan, 150mml [T2/T3]	1
	25	1066431	(10000000- 20000000 ) Seal, Afmkt, Bulb, Dual, 03ft [F/.30gap]	1
	26	630052	(10000000- 20000000 ) Float, Shut- Off, (2)Ball, 1.75d	1
	27	630053	(10000000- 20000000 ) Mount, Cage, Float [20.0 Scrubber]	1
	28	630255	(10000000- 20000000 ) Gasket, Float, Mount	1
	29	606915	(10000000- 20000000 ) Screw, Pan, Phl, 10- 16 X 0.38, Tcut, Ss	1
	30	1065665	(10000000- 20000000 ) Inductor, 32.3mml [Ferrite 10- 250mhz] (Canada Only)	1

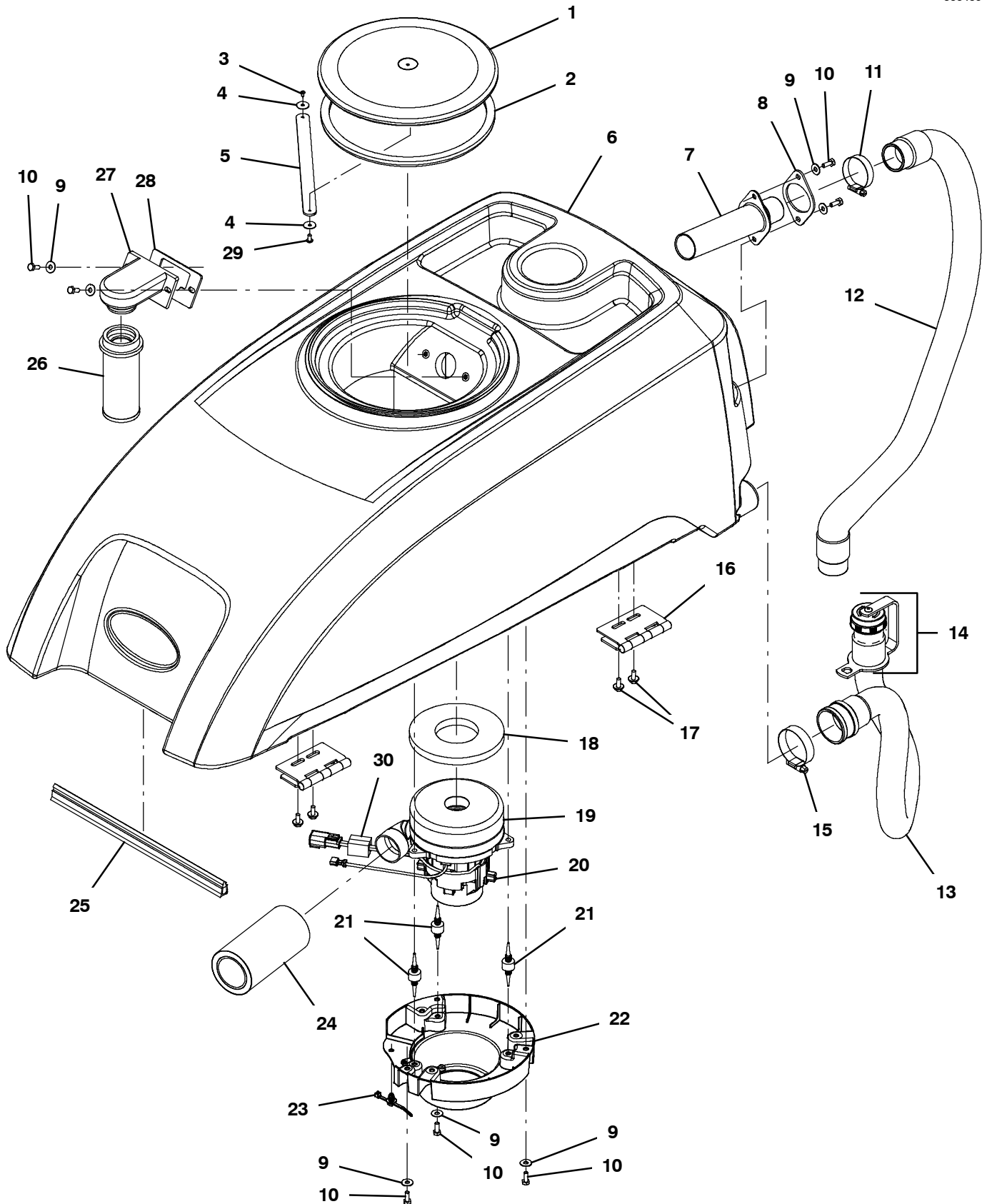
**\* For machines serial number range 10835156 - 10842521, vacuum motor replacement requires two gaskets; standard gasket 100038 and extra gasket 223264 (not shown).**

▽ ASSEMBLY

▲ INCLUDED IN ASSEMBLY

RECOVERY TANK GROUP, STANDARD SCREW CAP

355459



## RECOVERY TANK GROUP, STANDARD SCREW CAP

Ref.	Part No.	Serial Number	Description	Qty.
▽	1	1017958	(10000000- 20000000 ) Lid Assy, Tank, Recvy	1
▲	2	1017959	(10000000- 20000000 ) Seal, Bulb, Str, 0.50h .50w 032.0l, Adh	1
	3	3701.6	(10000000- 20000000 ) Screw, Pan, Phl, 06- 32 X 0.38, Shtmtl, Ss	1
	4	1009168	(10000000- 20000000 ) Washer, Flat, 0.17b 0.75d .04, Ss	2
	5	1001005	(10000000- 20000000 ) Strap, Retaining, Cover	1
	6	9015761	(10000000- 20000000 ) Kit, Tank, Recvy, Ci [T500e]	1
	7	1021214	(10000000- 20000000 ) Tube, Hose, Adapter, 1.5d [T5]	1
	8	1024602	(10000000- 20000000 ) Gasket, Neo, .13, 1.97id, 2/3.2bc, Adh	1
	9	01684	(10000000- 20000000 ) Washer, Flat, 0.27b 0.69d .05, Ss	7
	10	11329	(10000000- 20000000 ) Screw, Hex, M6 X 1.00 X 16, NI, Ss	7
	11	11531	(10000000- 20000000 ) Clamp, Hose, Wormdrive, 1.06- 2.00d, .56w	1
	12	1211220	(10000000- 20000000 ) Hose Assy, W/2cuff, 1.5d 022l 1.5/1.5[Pvc] (Black - Standard)	1
	12	1224414	(10000000- 10972171 ) Hose Assy, W/2cuff, 1.5d 033l 1.5/1.5[Pu] (Gray - Option) (No Longer Available - Replaced by 1211220 - Black PVC)	1
▽	13	1228252	(10000000- 10972171 ) Hose Assy, Drain, 1.5d 014l 2/1.5cap Pvc (Black - Standard) (Replaced by 1248221 - Pinch Cuff Screw Cap Style)	1
▲▽	14	1218955	(10000000- 10972171 ) Cap, Drain Assy [Black]	1
▲▲		1008637	(10000000- 20000000 ) Seal, Org, 1.48id 1.76od	1
	15	22297	(10000000- 20000000 ) Clamp, Hose, Wormdrive, 1.56- 2.50d, .50w	1
	16	1217669	(10000000- 20000000 ) Hinge Assy, 7.0 Pin, 11 Ga, 100l X 105w	1
	17	1034731	(10000000- 20000000 ) Screw, Hex, M6 X 1.00 X 16, Sems, Ss	4
	18	100038*	(10000000- 20000000 ) Gasket, .50, 02.63id 05.75od, Adh [Epdm]	1
▽	19	1219312*	(10000000- 20000000 ) Fan, Vacuum, 5.7d, 024vdc, 2 Stage (Canada Also Requires Qty 1 Ferrite #1065665)	1
▲	20	372883	(10000000- 20000000 ) Vr, Brush Kit, Motor, Ele	1
	21	1062016	(10000000- 20000000 ) Isolator, Vib, .75d	3
	22	1207368	(10000000- 20000000 ) Mount, Vacfan, 5.7/6.6	1
	23	1210807	(10000000- 20000000 ) Wire, Tie [W/.25" Fir Tree Clip]	1
	24	1068577	(10000000- 20000000 ) Muffler, Exhaust, Vacfan, 150mml [T2/T3]	1
	25	1066431	(10000000- 20000000 ) Seal, Afmkt, Bulb, Dual, 03ft [F/.30gap]	1
	26	630052	(10000000- 20000000 ) Float, Shut- Off, (2)Ball, 1.75d	1
	27	630053	(10000000- 20000000 ) Mount, Cage, Float [20.0 Scrubber]	1
	28	630255	(10000000- 20000000 ) Gasket, Float, Mount	1
	29	606915	(10000000- 20000000 ) Screw, Pan, Phl, 10- 16 X 0.38, Tcut, Ss	1
	30	1065665	(10000000- 20000000 ) Inductor, 32.3mml [Ferrite 10- 250mhz] (Canada Only)	1

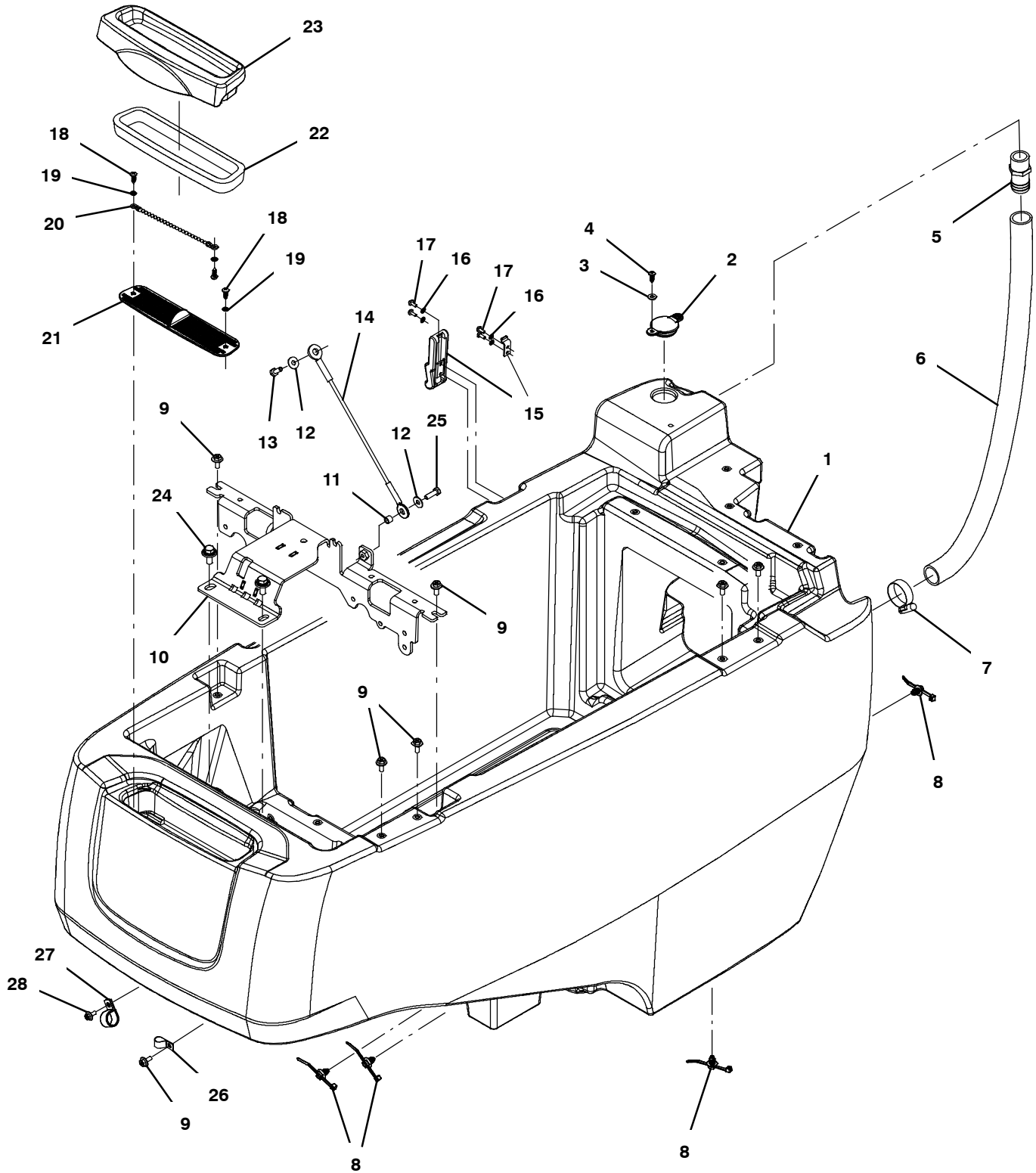
\* For machines serial number range 10835156 - 10842521, vacuum motor replacement requires two gaskets; standard gasket 100038 and extra gasket 223264 (not shown).

▽ ASSEMBLY

▲ INCLUDED IN ASSEMBLY

SOLUTION TANK GROUP

355458



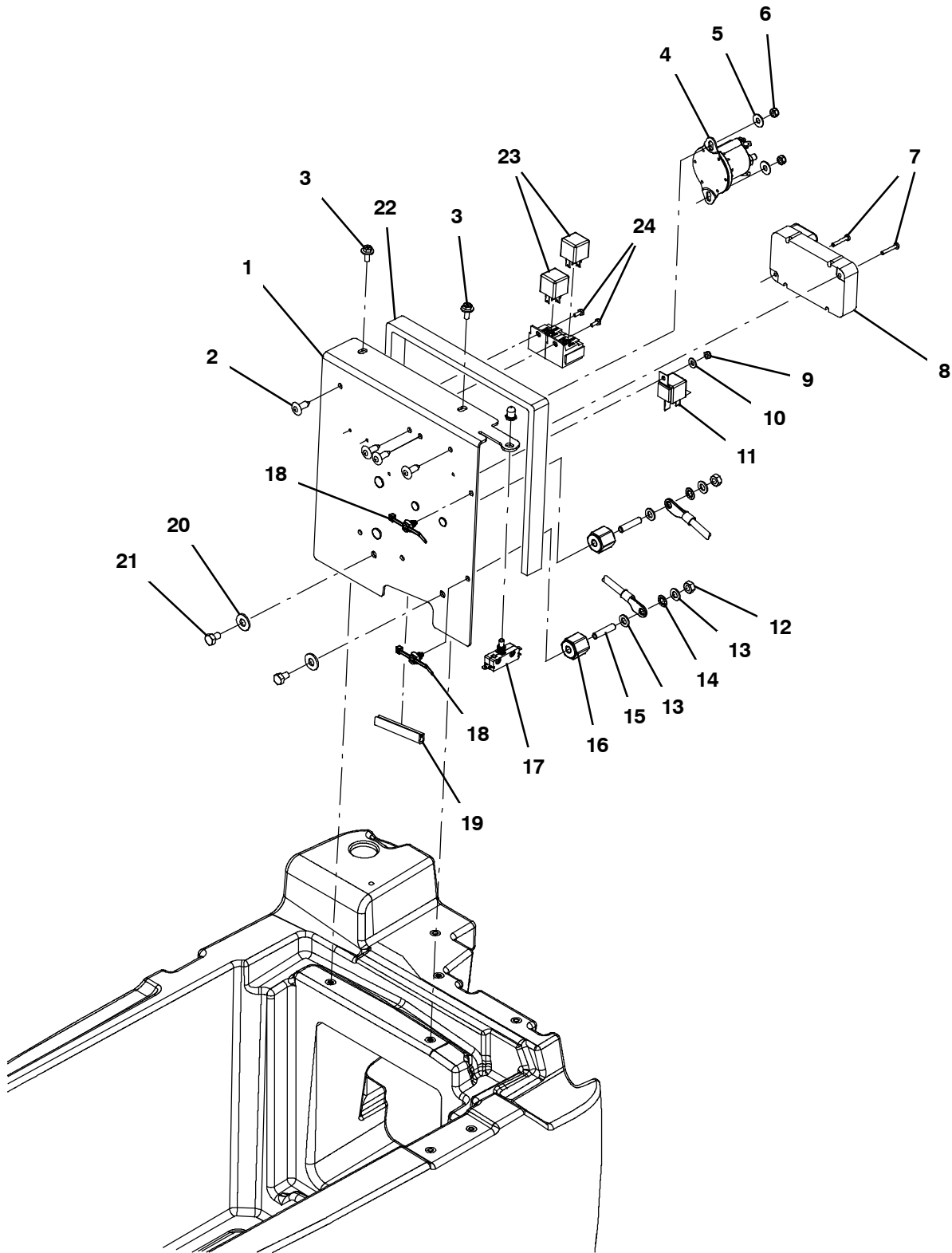


## SOLUTION TANK GROUP

Ref.	Part No.	Serial Number	Description	Qty.
1	9018024	(10000000- 20000000 )	Tank Kit, Soltn, Ci [T500e]	1
2	1012965	(10000000- 20000000 )	Cap, Port, Soltn Fill	1
3	01683	(10000000- 20000000 )	Washer, Flat, 10, Ss	1
4	1018155	(10000000- 20000000 )	Screw, Pan, Phl, M5 X 0.80 X 16, Tcut,Ss	1
5	1041082	(10000000- 20000000 )	Fitting, Plstc, Str, Bm16/Pm12	1
6	9015728	(10000000- 20000000 )	Hose Kit, Drain, Soln, Ci [T500/T500e]	1
7	11399	(10000000- 20000000 )	Clamp, Hose, Wormdrive, 0.81- 1.50d, .50w	1
8	1210807	(10000000- 20000000 )	Wire, Tie [W/.25" Fir Tree Clip]	4
9	1034731	(10000000- 20000000 )	Screw, Hex, M6 X 1.00 X 16, Sems, Ss	7
10	1221012	(10000000- 20000000 )	Bracket Wldt, Actuator	1
11	140154	(10000000- 20000000 )	Sleeve, P/M, 0.25b 0.38d 0.3l, PI	1
12	01684	(10000000- 20000000 )	Washer, Flat, 0.27b 0.69d .05, Ss	2
13	11329	(10000000- 20000000 )	Screw, Hex, M6 X 1.00 X 16, NI, Ss	1
14	1221803	(10000000- 20000000 )	Cable, Glv .13d 10.5l .38eye /.38eye	1
15	1207285	(10000000- 20000000 )	Latch, Draw, Rbr, W/ Keeper, Yellow	1
16	02938	(10000000- 20000000 )	Washer, Lock, Int, 08, Ss	4
17	49697	(10000000- 20000000 )	Screw, Pan, Phl, M4 X 0.70 X 10, Ss	4
18	1018155	(10000000- 20000000 )	Screw, Pan, Phl, M5 X 0.80 X 16, Tcut,Ss	3
19	07514	(10000000- 20000000 )	Washer, Lock, Int, 10, Ss	3
20	621443	(10000000- 20000000 )	Chain, Ball, 10, 0157mml, Ss	1
21	1219917	(10000000- 20000000 )	Screen, Fltr, 2.0 X 8.7	1
22	9015758	(10000000- 20000000 )	Seal, Tank, Soltn, Ci [T500/T500e]	1
23	1218043	(10000000- 20000000 )	Cover, Fill, Front [T500]	1
23	9015759	(10000000- 20000000 )	Kit, Cover, Fill [T500/T500e] (ec- H2O Models)	1
24	1020341	(10000000- 20000000 )	Screw, Hex, M8 X 1.25 X 20, Ss, Sems	2
25	12277	(10000000- 20000000 )	Screw, Hex, M6 X 1.00 X 20, NI, Ss	1
26	140300	(10000000- 20000000 )	Clamp, Cable, Stl, 0.50d [Insulated]	1
27	40678- 1	(10000000- 20000000 )	Clamp, Cable, Stl, 0.88d X 0.62w, 1hole (Models w/out ABW Option)	1
28	1034731	(10000000- 20000000 )	Screw, Hex, M6 X 1.00 X 16, Sems, Ss (Models w/out ABW Option)	1

ELECTRICAL GROUP, WET AND AGM BATTERY

355465



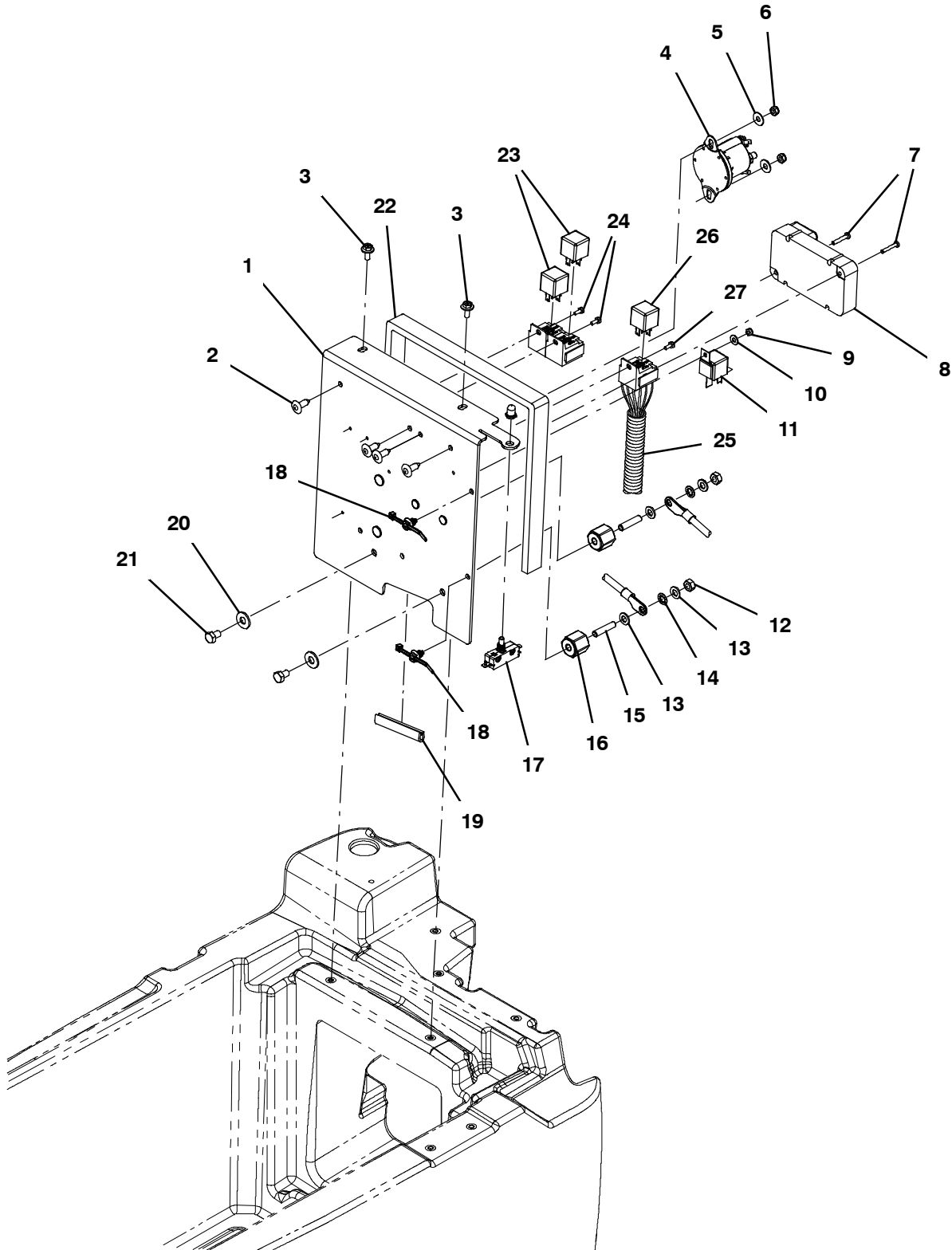
## ELECTRICAL GROUP, WET AND AGM BATTERY

Ref.	Part No.	Serial Number	Description	Qty.
1	1224001	(10000000- 20000000 )	Bracket Wldt, Mtg, Ele [T500e]	1
2	140262	(10000000- 20000000 )	Clip, Snap- In	4
3	1034731	(10000000- 20000000 )	Screw, Hex, M6 X 1.00 X 16, Sems, Ss	2
4	1066409	(10000000- 20000000 )	Relay, 24vdc, 150a, No [Trombetta]	1
5	01684	(10000000- 20000000 )	Washer, Flat, 0.27b 0.69d .05, Ss	2
6	08712	(10000000- 20000000 )	Nut, Hex, Lock, M6 X 1.00, NI, Ss	2
7	1073600	(10000000- 20000000 )	Screw, Pan, M4 X 0.7 X 25, Fmg	2
8	9015776*	(10000000- 20000000 )	Drive Module Kit, Ci	1
9	09739	(10000000- 20000000 )	Nut, Hex, Lock, M5 X 0.80, NI, Ss	1
10	01683	(10000000- 20000000 )	Washer, Flat, 10, Ss	1
11	1228510	(10000000- 20000000 )	Relay, 24vdc, 80a, Spst No, Plug- In	1
12	41361	(10000000- 20000000 )	Nut, Hex, Std, M8 X 1.25, Brs	1
13	1209373	(10000000- 20000000 )	Washer, Flat, M8.4b X 16d X 1.6, Brs	2
14	43952	(10000000- 20000000 )	Washer, Lock, Int, 0.31, Ss	4
15	607461	(10000000- 20000000 )	Screw, Set, M8 X 1.25 X 35, NI	2
16	1205345	(10000000- 20000000 )	Stand- Off, Wir, M8, Insulator, Panel	2
17	1071996	(10000000- 20000000 )	Switch, Push, Snap Action, 25a	1
18	1210807	(10000000- 20000000 )	Wire, Tie [W/.25" Fir Tree Clip]	2
19	1020174	(10000000- 20000000 )	Molding, Afmkt, Trim, Pvc, .08 .11, 03ft	1
20	01685	(10000000- 20000000 )	Washer, Flat, 0.38b 0.88d .08, Ss	2
21	386868	(10000000- 20000000 )	Screw, Hex, M8 X 1.25 X 12, Ss	2
22	1219045	(10000000- 20000000 )	Gasket, Cover, Circuitboard	1
23	49309	(10000000- 20000000 )	Relay, 24vdc, 015a, Spdt No	2
24	16944	(10000000- 20000000 )	Screw, Hex, M4 X 0.70 X 10, Fmg	2

\* Requires Tennant *True* service or an authorized Tennant service provider.

ELECTRICAL GROUP, TPPL AND LITHIUM-ION BATTERY

355808



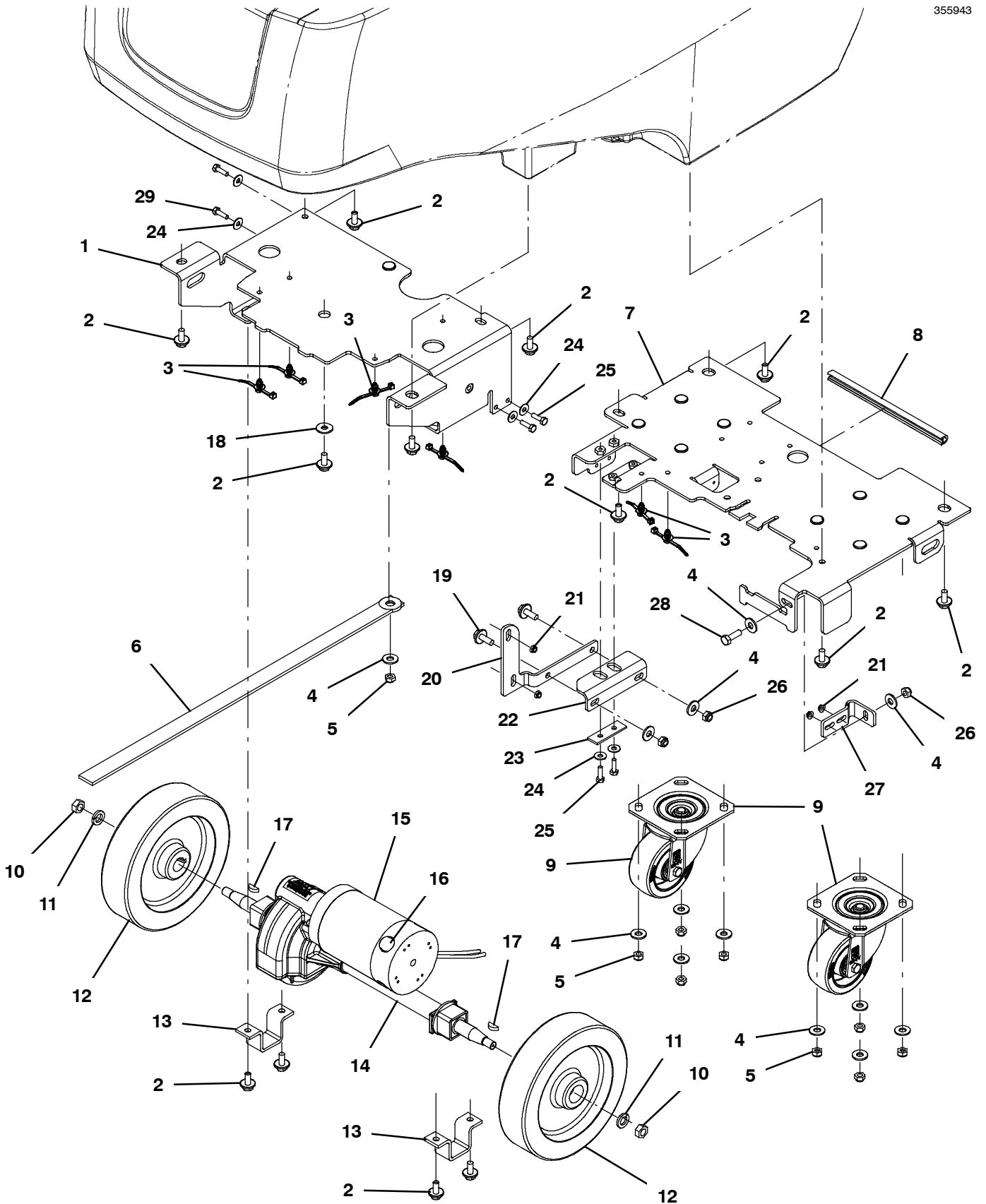
## ELECTRICAL GROUP, TPPL AND LITHIUM-ION BATTERY

Ref.	Part No.	Serial Number	Description	Qty.
1	1224001	(10000000- 20000000 )	Bracket Wldt, Mtg, Ele [T500e]	1
2	140262	(10000000- 20000000 )	Clip, Snap- In	4
3	1034731	(10000000- 20000000 )	Screw, Hex, M6 X 1.00 X 16, Sems, Ss	2
4	1066409	(10000000- 20000000 )	Relay, 24vdc, 150a, No [Trombetta]	1
5	01684	(10000000- 20000000 )	Washer, Flat, 0.27b 0.69d .05, Ss	2
6	08712	(10000000- 20000000 )	Nut, Hex, Lock, M6 X 1.00, NI, Ss	2
7	1073600	(10000000- 20000000 )	Screw, Pan, M4 X 0.7 X 25, Fmg	2
8	9015776*	(10000000- 20000000 )	Drive Module Kit, Ci	1
9	09739	(10000000- 20000000 )	Nut, Hex, Lock, M5 X 0.80, NI, Ss	1
10	01683	(10000000- 20000000 )	Washer, Flat, 10, Ss	1
11	1228510	(10000000- 20000000 )	Relay, 24vdc, 80a, Spst No, Plug- In	1
12	41361	(10000000- 20000000 )	Nut, Hex, Std, M8 X 1.25, Brs	1
13	1209373	(10000000- 20000000 )	Washer, Flat, M8.4b X 16d X 1.6, Brs	2
14	43952	(10000000- 20000000 )	Washer, Lock, Int, 0.31, Ss	4
15	607461	(10000000- 20000000 )	Screw, Set, M8 X 1.25 X 35, NI	2
16	1205345	(10000000- 20000000 )	Stand- Off, Wir, M8, Insulator, Panel	2
17	1071996	(10000000- 20000000 )	Switch, Push, Snap Action, 25a	1
18	1210807	(10000000- 20000000 )	Wire, Tie [W/.25" Fir Tree Clip]	2
19	1020174	(10000000- 20000000 )	Molding, Afmkt, Trim, Pvc, .08 .11, 03ft	1
20	01685	(10000000- 20000000 )	Washer, Flat, 0.38b 0.88d .08, Ss	2
21	386868	(10000000- 20000000 )	Screw, Hex, M8 X 1.25 X 12, Ss	2
22	1219045	(10000000- 20000000 )	Gasket, Cover, Circuitboard	1
23	49309	(10000000- 20000000 )	Relay, 24vdc, 015a, Spdt No	2
24	16944	(10000000- 20000000 )	Screw, Hex, M4 X 0.70 X 10, Fmg	2
25	1076909	(10000000- 20000000 )	Harness, Ele, Adaptor, Relay	1
26	49309	(10000000- 20000000 )	Relay, 24vdc, 015a, Spdt No	1
27	16944	(10000000- 20000000 )	Screw, Hex, M4 X 0.70 X 10, Fmg	1

\* Requires Tennant *True* service or an authorized Tennant service provider.

FRAME AND DRIVE GROUP (S/N 11064202 - )

355943



## FRAME AND DRIVE GROUP (S/N 11064202 - )

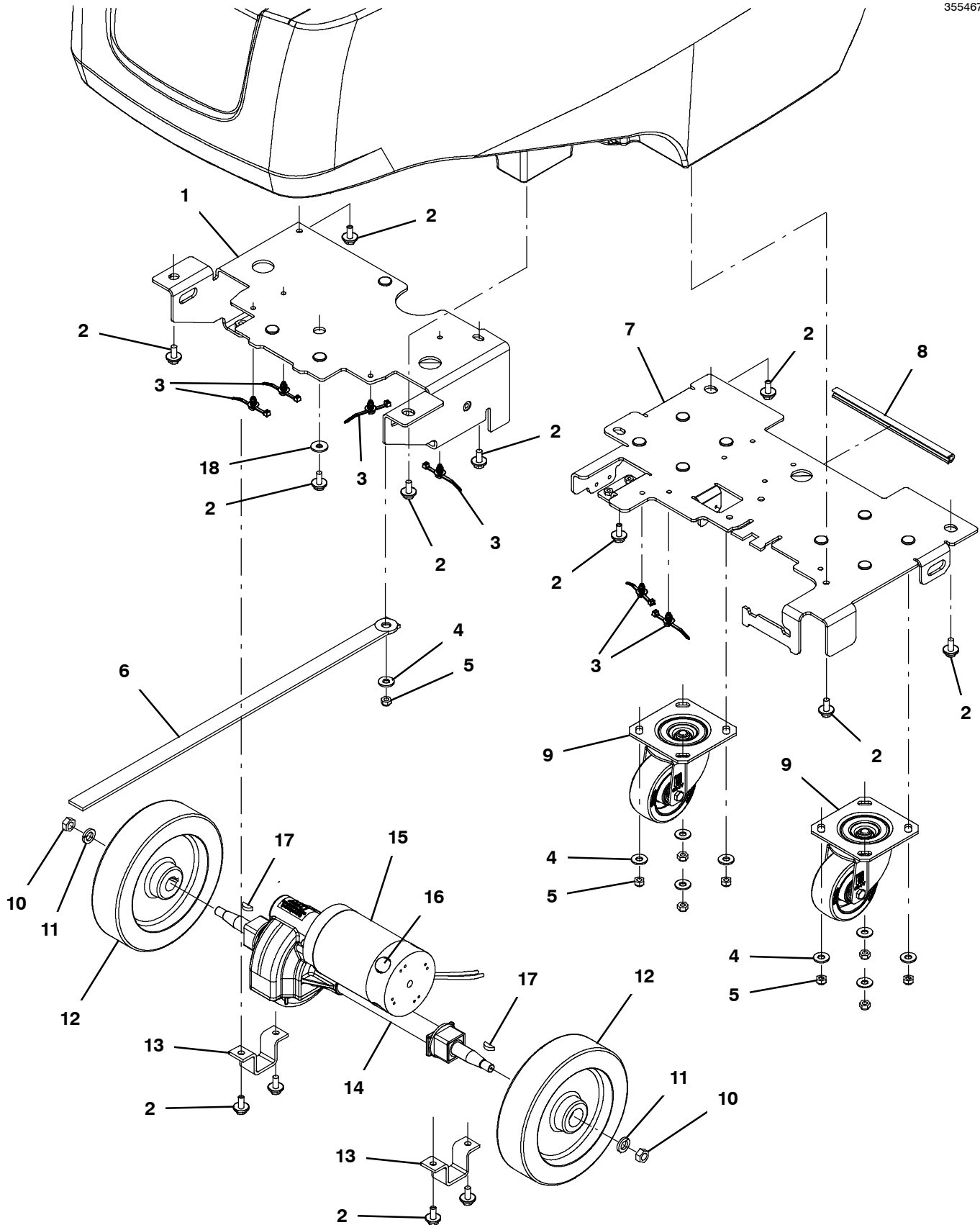
Ref.	Part No.	Serial Number	Description	Qty.	
1	1256615	(11064202- 20000000 )	Frame Wldt, Front [T500]	1	
2	1020341	(10000000- 20000000 )	Screw, Hex, M8 X 1.25 X 20, Ss, Sems	13	
3	1210807	(10000000- 20000000 )	Wire, Tie [W/.25" Fir Tree Clip]	6	
4	01685	(11064202- 20000000 )	Washer, Flat, 0.38b 0.88d .08, Ss	13	
5	08713	(10000000- 20000000 )	Nut, Hex, Lock, M8 X 1.25, NI, Ss	9	
6	71579	(10000000- 20000000 )	Strap, Static, W/Grommet, .19 1.1w 25.0l	1	
7	1261154	(11064202- 20000000 )	Frame Wldt, Rear [T500]	1	
7	1219137	(10000000- 11064201 )	Frame Wldt, Rear [T500]	1	
8	1020168	(10000000- 20000000 )	Molding, Afmkt, Trim, Pvc, .08 .11, 01ft	1	
9	1212422	(10000000- 20000000 )	Caster, Swivel [Wicke 224051]	2	
10	09741	(10000000- 20000000 )	Nut, Hex, Lock, M12 X 1.75, NI, Ss	2	
11	140058	(10000000- 20000000 )	Washer, Flat, 0.54b 0.88d .06, Ss [Wand]	2	
12	1223582	(11046266- 20000000 )	Wheel, Scrbr, 8.00d, W/ Taper	2	
13	606001	(10000000- 20000000 )	Bracket, Mtg, Transaxle, PI [1510, T5]	2	
▽	14	1220970	(10000000- 20000000 )	Transaxle, Ele, 24vdc, 107rpm [Asi, 4]	1
▲		612874	(10000000- 20000000 )	Coupling, Transaxle, Replmt	1
▲		612880	(10000000- 20000000 )	Joint, Transaxle, Replmt	1
▲▽	15	1031723	(10000000- 20000000 )	Motor, Transaxle, 24vdc, Afmkt [T5]	1
▲▲	16	614166	(10000000- 20000000 )	Brush Kit, Carbon, Transaxle, Replmt [4]	1
▲	17	1021167	(10000000- 20000000 )	Key, Woodruff, 5mm	2
18	39890	(10000000- 20000000 )	Washer, Flat, M8, Fendr	1	
19	1072628	(11064202- 20000000 )	Screw, Hex, M8 X 1.25 X 25, Ss, Sems	2	
20	1259657	(11064202- 20000000 )	Bracket, Spanning Vert [T500]	1	
21	1040381	(11064202- 20000000 )	Nut, Hex, Flng, M6 X 1.0, Ss [Serrated]	4	
22	1259658	(11064202- 20000000 )	Bracket, Spanning Angle [T500]	1	
23	1260051	(11064202- 20000000 )	Plate, Bracket, Spanning	1	
24	01684	(11064202- 20000000 )	Washer, Flat, 0.27b 0.69d .05, Ss	5	
25	08716	(11064202- 20000000 )	Screw, Hex, M6 X 1.00 X 20, Ss	2	
26	08713	(11064202- 20000000 )	Nut, Hex, Lock, M8 X 1.25, NI, Ss	3	
27	1256017	(11064202- 20000000 )	Bracket, Spanning [T500]	1	
28	09010	(11064202- 20000000 )	Screw, Hex, M8 X 1.25 X 25, Ss	1	
29	08716	(11064202- 20000000 )	Screw, Hex, M6 X 1.00 X 20, Ss	2	

▽ ASSEMBLY

▲ INCLUDED IN ASSEMBLY

FRAME AND DRIVE GROUP (S/N 1000000 - 11064201)

355467





**FRAME AND DRIVE GROUP (S/N 1000000 - 11064201)**

(Note: Solution Tank Support Bracket Upgrade Kit Available, Tennant Part Number 9021792 Pages 148- 149)

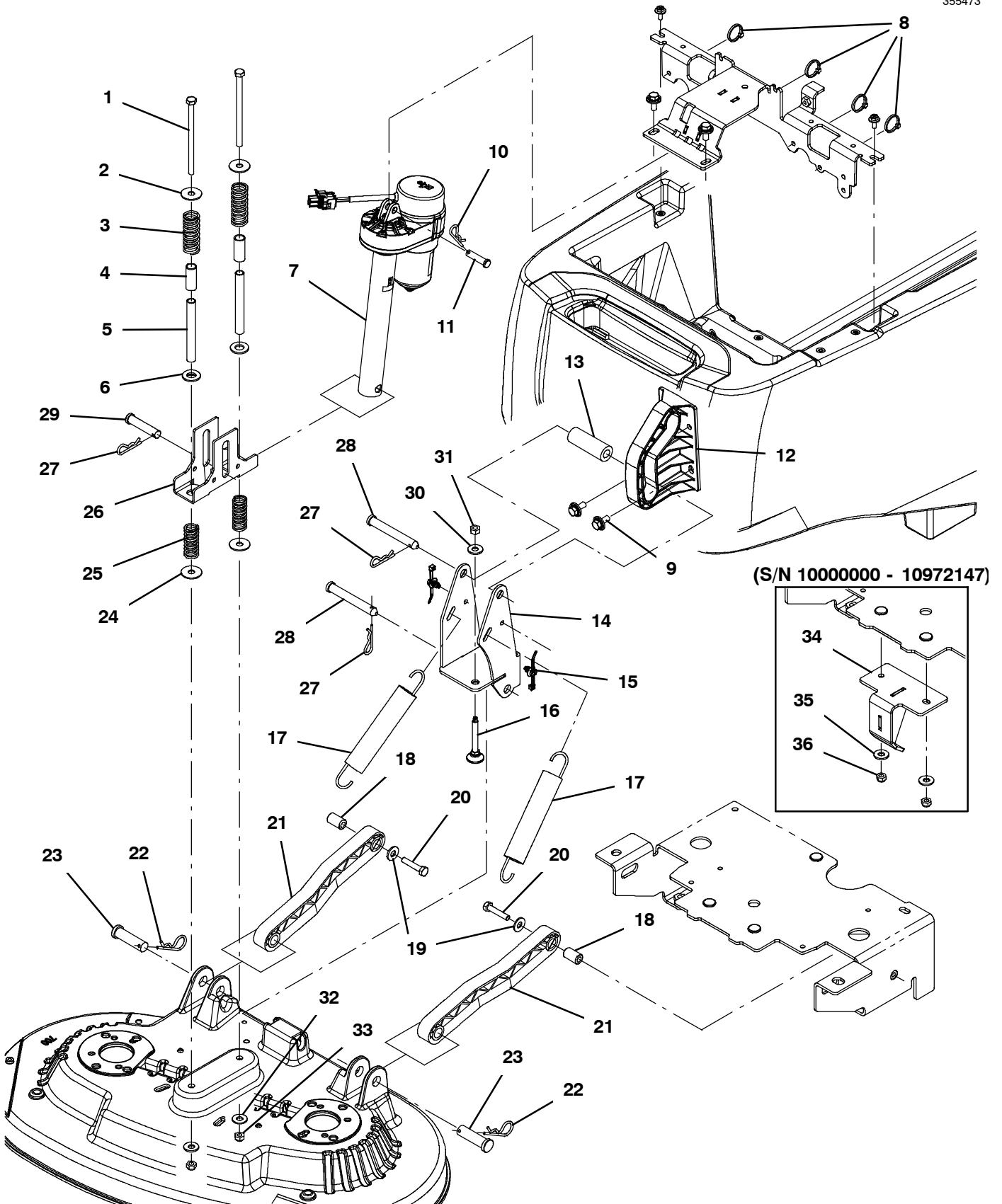
Ref.	Part No.	Serial Number	Description	Qty.	
1	1256615	(11046266- 11064201 )	Frame Wldt, Front [T500]	1	
1	1219118	(10000000- 11046265 )	Frame Wldt, Front [T500]	1	
2	1020341	(10000000- 20000000 )	Screw, Hex, M8 X 1.25 X 20, Ss, Sems	13	
3	1210807	(10000000- 20000000 )	Wire, Tie [W/.25" Fir Tree Clip]	6	
4	01685	(10000000- 11064201 )	Washer, Flat, 0.38b 0.88d .08, Ss	9	
5	08713	(10000000- 20000000 )	Nut, Hex, Lock, M8 X 1.25, NI, Ss	9	
6	71579	(10000000- 20000000 )	Strap, Static, W/Grommet, .19 1.1w 25.0l	1	
7	1219137	(10000000- 11064201 )	Frame Wldt, Rear [T500]	1	
8	1020168	(10000000- 20000000 )	Molding, Afmkt, Trim, Pvc, .08 .11, 01ft	1	
9	1212422	(10000000- 20000000 )	Caster, Swivel [Wicke 224051]	2	
10	09741	(10000000- 20000000 )	Nut, Hex, Lock, M12 X 1.75, NI, Ss	2	
11	140058	(10000000- 20000000 )	Washer, Flat, 0.54b 0.88d .06, Ss [Wand]	2	
▽	9004909	(10000000- 11046265 )	Wheel Kit, Solid, Ci [T5 T5e Ss5] (No Longer Available - Replaced By 1223583 Qty 2)	1	
12	1223582	(11046266- 20000000 )	Wheel, Scrbr, 8.00d, W/ Taper	2	
▲	12	1223583	(10000000- 11046265 )	Wheel, Scrbr, 213mm, W/ Taper	2
13	606001	(10000000- 20000000 )	Bracket, Mtg, Transaxle, PI [1510, T5]	2	
▽	14	1220970	(10000000- 20000000 )	Transaxle, Ele, 24vdc, 107rpm [Asi, 4]	1
▲		612874	(10000000- 20000000 )	Coupling, Transaxle, Replmt	1
▲		612880	(10000000- 20000000 )	Joint, Transaxle, Replmt	1
▲▽	15	1031723	(10000000- 20000000 )	Motor, Transaxle, 24vdc, Afmkt [T5]	1
▲▲	16	614166	(10000000- 20000000 )	Brush Kit, Carbon, Transaxle, Replmt [4]	1
▲	17	1021167	(10000000- 20000000 )	Key, Woodruff, 5mm	2
	18	39890	(10000000- 20000000 )	Washer, Flat, M8, Fendr	1

▽ ASSEMBLY

▲ INCLUDED IN ASSEMBLY

HEAD LIFT GROUP, DISK

355473

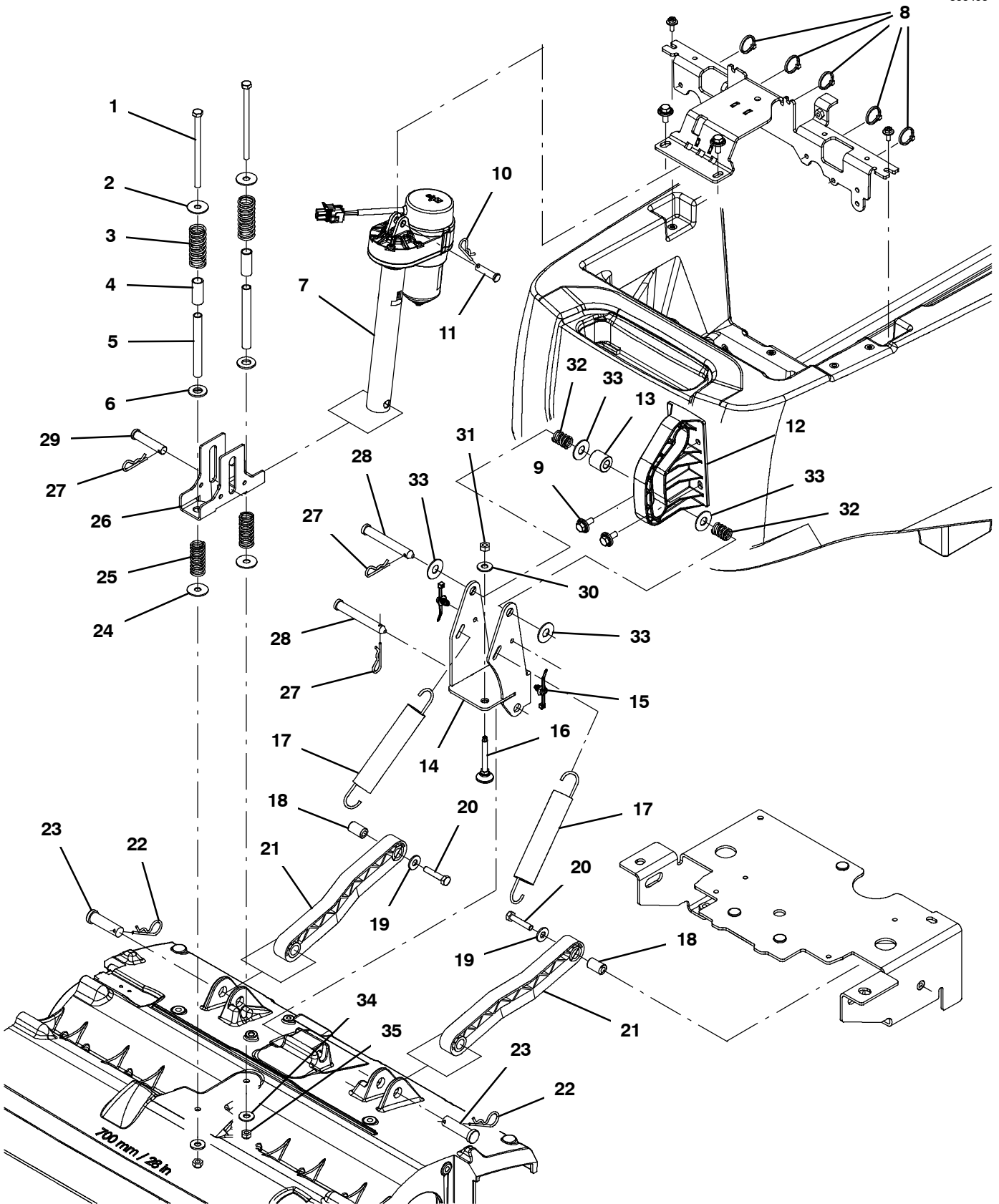


## HEAD LIFT GROUP, DISK

Ref.	Part No.	Serial Number	Description	Qty.
1	387431	(10000000- 20000000 )	Screw, Hex, M8 X 1.25 X 130, Ss	2
2	32662	(10000000- 20000000 )	Washer, Flat, 0.38b 1.22d .06, Ss	2
3	45261	(10000000- 20000000 )	Spring, Cmpr, 0.97od .11wir 02.5l	2
4	1224334	(10000000- 20000000 )	Sleeve, P/M, 0.51b 0.63d 1.5l, PI	2
5	1219491	(10000000- 20000000 )	Sleeve, 0.40id .50d 4.25l, Ss	2
6	32486	(10000000- 20000000 )	Washer, Flat, 0.53b 1.06d .10, Stl, PI	2
7	1225246	(10000000- 20000000 )	Actuator, 24vdc, 05.5strk, 0600lb[Base]	1
8	49263	(10000000- 20000000 )	Tie, Cable, Nyl, 11.4l .19w 3.0 Max D	5
9	1020341	(10000000- 20000000 )	Screw, Hex, M8 X 1.25 X 20, Ss, Sems	4
10	140626	(10000000- 20000000 )	Pin, Cotter, Hair, 0.25d .125 Wir	1
11	29558	(10000000- 20000000 )	Pin, Clevis, 0.37d X 1.50l	1
12	1219912	(10000000- 20000000 )	Bracket, Guide, Head[T500]	1
13	1220305	(10000000- 20000000 )	Tube, Plstc, 0.51id 0.98od 02.8l	1
14	1221507	(10000000- 20000000 )	Pivot Wldt, Head, Scrub [T500]	1
15	1210807	(10000000- 20000000 )	Wire, Tie [W/.25" Fir Tree Clip]	2
16	1227530	(10000000- 20000000 )	Screw, Leveler, M8x75	1
17	222363	(10000000- 20000000 )	Spring, Extn, 1.23od 0.15wir 06.5l	2
18	606056	(10000000- 20000000 )	Tube, 0.32id 0.62od 01.0l, Stl, PI	2
19	01685	(10000000- 20000000 )	Washer, Flat, 0.38b 0.88d .08, Ss	2
20	74440	(10000000- 20000000 )	Screw, Hex, M8 X 1.25 X 40, NI, Ss	2
21	222027	(10000000- 20000000 )	Arm, Lift, Head	2
22	02942	(10000000- 20000000 )	Pin, Hair, Cotter, 0.62d .120 Wir	2
23	222210	(10000000- 20000000 )	Pin, Clevis, 0.62d X 2.12l	2
24	32662	(10000000- 20000000 )	Washer, Flat, 0.38b 1.22d .06, Ss	2
25	63185	(10000000- 20000000 )	Spring, Cmpr, 0.85od .09wir 02.0l	2
26	1224191	(10000000- 20000000 )	Bracket, Spring, Suspension, Head	1
27	140626	(10000000- 20000000 )	Pin, Cotter, Hair, 0.25d .125 Wir	3
28	374225	(10000000- 20000000 )	Pin, Clevis, 0.50d X 3.75l	2
29	11211	(10000000- 20000000 )	Pin, Clevis, 0.50d X 2.25l	1
30	01685	(10000000- 20000000 )	Washer, Flat, 0.38b 0.88d .08, Ss	1
31	07786	(10000000- 20000000 )	Nut, Hex, Std, M8 X 1.25, Ss	1
32	01685	(10000000- 20000000 )	Washer, Flat, 0.38b 0.88d .08, Ss	2
33	08713	(10000000- 20000000 )	Nut, Hex, Lock, M8 X 1.25, NI, Ss	2
34	1222374	(10000000- 10972147 )	Frame Wldt, Hardstop [T500] (No Longer Available)	1
35	01685	(10000000- 10972147 )	Washer, Flat, 0.38b 0.88d .08, Ss	2
36	08713	(10000000- 10972147 )	Nut, Hex, Lock, M8 X 1.25, NI, Ss	2

HEAD LIFT GROUP, CYLINDRICAL

355493

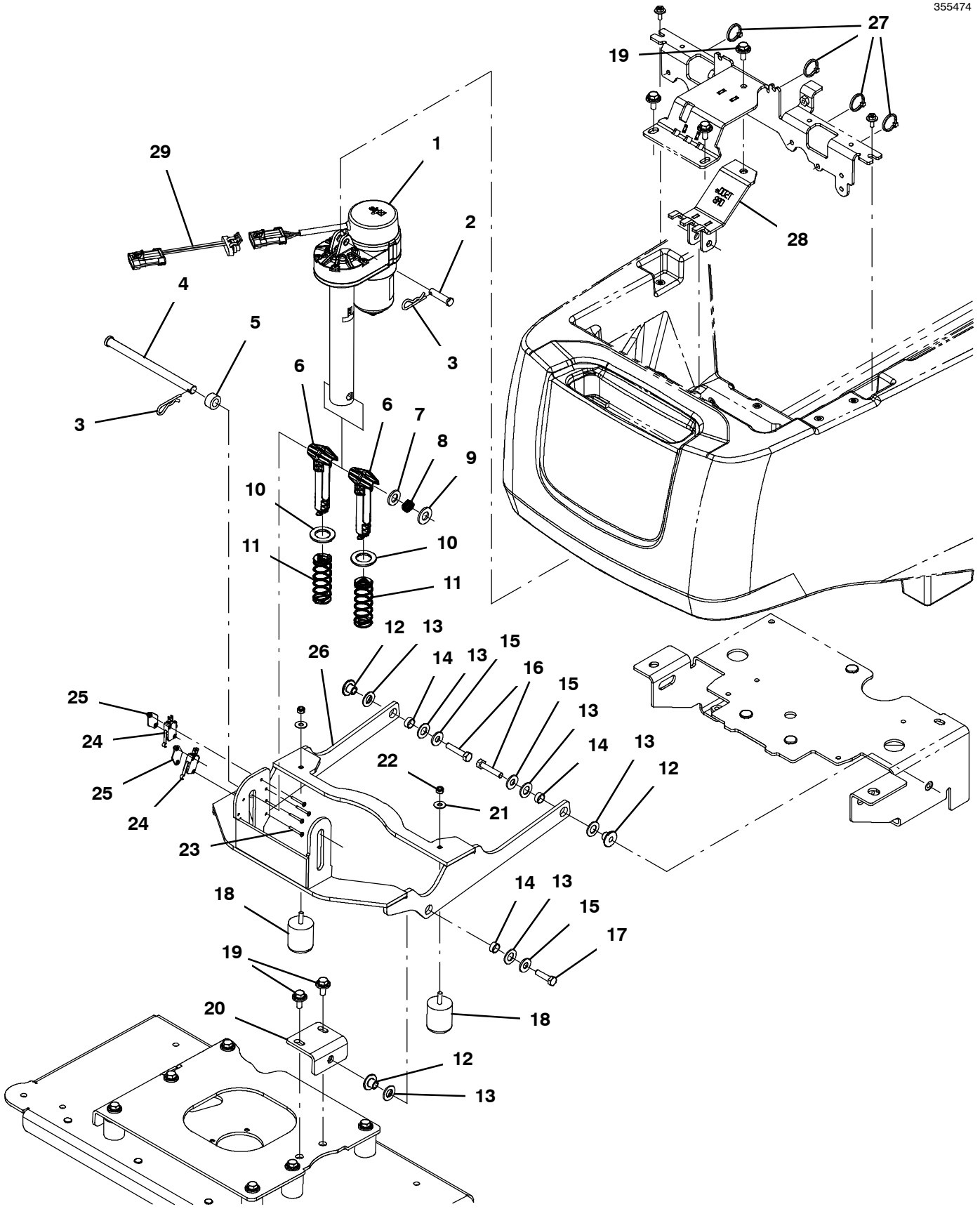


## HEAD LIFT GROUP, CYLINDRICAL

Ref.	Part No.	Serial Number	Description	Qty.
1	387431	(10000000- 20000000 )	Screw, Hex, M8 X 1.25 X 130, Ss	2
2	32662	(10000000- 20000000 )	Washer, Flat, 0.38b 1.22d .06, Ss	2
3	45261	(10000000- 20000000 )	Spring, Cmpr, 0.97od .11wir 02.5l	2
4	1224334	(10000000- 20000000 )	Sleeve, P/M, 0.51b 0.63d 1.5l, PI	2
5	1219491	(10000000- 20000000 )	Sleeve, 0.40id .50d 4.25l, Ss	2
6	32486	(10000000- 20000000 )	Washer, Flat, 0.53b 1.06d .10, Stl, PI	2
7	1225246	(10000000- 20000000 )	Actuator, 24vdc, 05.5strk, 0600lb[Base]	1
8	49263	(10000000- 20000000 )	Tie, Cable, Nyl, 11.4l .19w 3.0 Max D	5
9	1020341	(10000000- 20000000 )	Screw, Hex, M8 X 1.25 X 20, Ss, Sems	4
10	140626	(10000000- 20000000 )	Pin, Cotter, Hair, 0.25d .125 Wir	1
11	29558	(10000000- 20000000 )	Pin, Clevis, 0.37d X 1.50l	1
12	1219912	(10000000- 20000000 )	Bracket, Guide, Head[T500]	1
13	1014020	(10000000- 20000000 )	Roller, 0.99d 0.50b 0.95l, Acetal	1
14	1221507	(10000000- 20000000 )	Pivot Wldt, Head, Scrub [T500]	1
15	1210807	(10000000- 20000000 )	Wire, Tie [W/.25" Fir Tree Clip]	2
16	1227530	(10000000- 20000000 )	Screw, Leveler, M8x75	1
17	222363	(10000000- 20000000 )	Spring, Extn, 1.23od 0.15wir 06.5l	2
18	606056	(10000000- 20000000 )	Tube, 0.32id 0.62od 01.0l, Stl, PI	2
19	01685	(10000000- 20000000 )	Washer, Flat, 0.38b 0.88d .08, Ss	2
20	74440	(10000000- 20000000 )	Screw, Hex, M8 X 1.25 X 40, NI, Ss	2
21	222027	(10000000- 20000000 )	Arm, Lift, Head	2
22	02942	(10000000- 20000000 )	Pin, Hair, Cotter, 0.62d .120 Wir	2
23	222210	(10000000- 20000000 )	Pin, Clevis, 0.62d X 2.12l	2
24	32662	(10000000- 20000000 )	Washer, Flat, 0.38b 1.22d .06, Ss	2
25	63185	(10000000- 20000000 )	Spring, Cmpr, 0.85od .09wir 02.0l	2
26	1224191	(10000000- 20000000 )	Bracket, Spring, Suspension, Head	1
27	140626	(10000000- 20000000 )	Pin, Cotter, Hair, 0.25d .125 Wir	3
28	374225	(10000000- 20000000 )	Pin, Clevis, 0.50d X 3.75l	2
29	11211	(10000000- 20000000 )	Pin, Clevis, 0.50d X 2.25l	1
30	01685	(10000000- 20000000 )	Washer, Flat, 0.38b 0.88d .08, Ss	1
31	07786	(10000000- 20000000 )	Nut, Hex, Std, M8 X 1.25, Ss	1
32	607920	(10000000- 20000000 )	Spring, Cmpr, 0.70od .10wir 01.0l, Mw	2
33	140045	(10000000- 20000000 )	Washer, Flat, 0.51b 1.25d .06, Ss	4
34	01685	(10000000- 20000000 )	Washer, Flat, 0.38b 0.88d .08, Ss	2
35	08713	(10000000- 20000000 )	Nut, Hex, Lock, M8 X 1.25, NI, Ss	2

HEAD LIFT GROUP, ORBITAL

355474

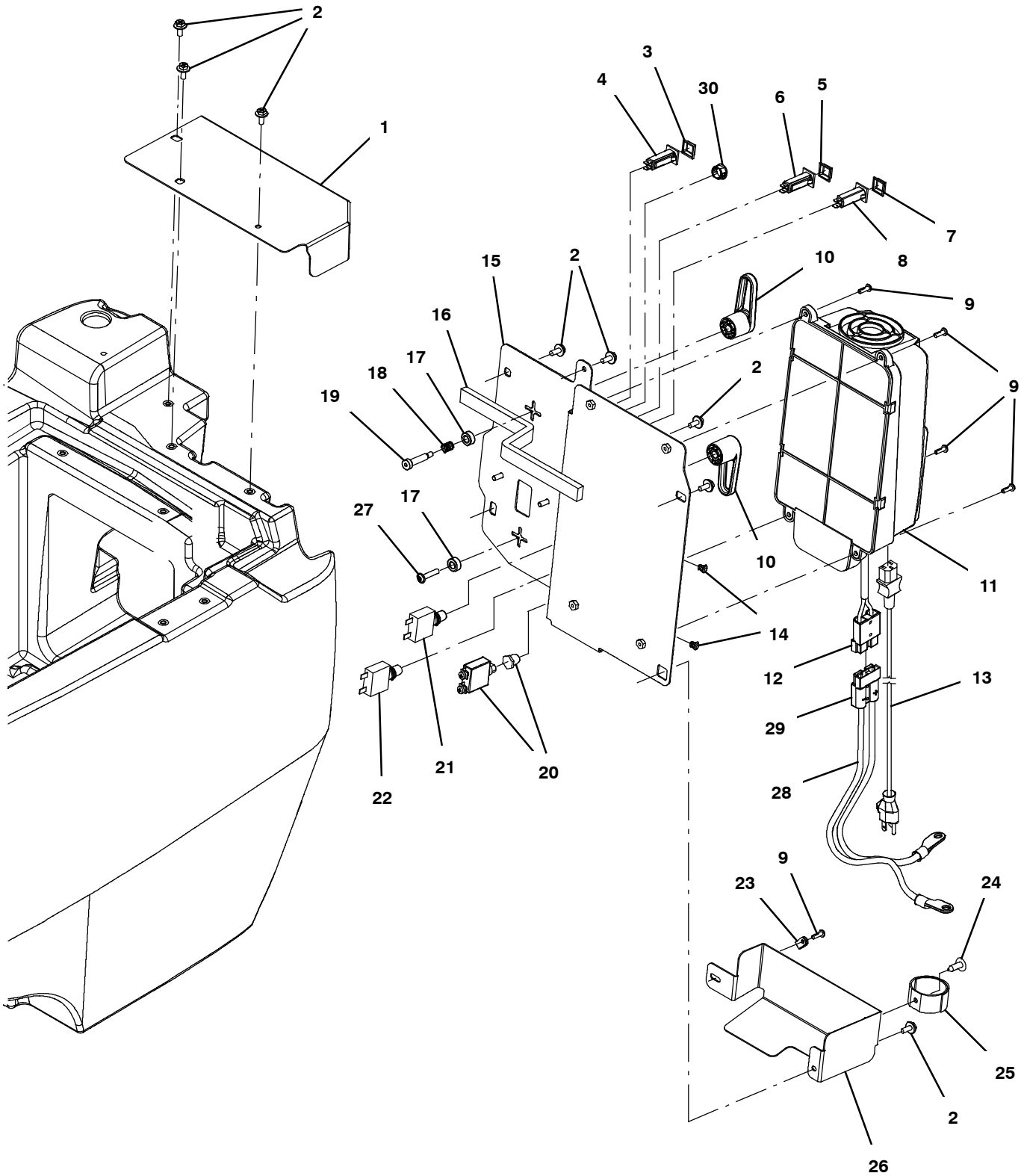


## HEAD LIFT GROUP, ORBITAL

Ref.	Part No.	Serial Number	Description	Qty.
1	1225246	(10000000- 20000000 )	Actuator, 24vdc, 05.5strk, 0600lb[Base]	1
2	29558	(10000000- 20000000 )	Pin, Clevis, 0.37d X 1.50l	1
3	140626	(10000000- 20000000 )	Pin, Cotter, Hair, 0.25d .125 Wir	1
4	1226754	(10000000- 20000000 )	Pin, Clevis, .50d X 7.00l	1
5	1226759	(10000000- 20000000 )	Spacer, .500 ld X .875 Od	1
6	1224233	(10000000- 20000000 )	Pin, Guide, Spring, Head	2
7	1013936	(10000000- 20000000 )	Washer, Flat, 0.51b 0.94d .10, Nyl	1
8	1226640	(10000000- 20000000 )	Spring, Wave, .512 ld X .709 Od X .375	1
9	32486	(10000000- 20000000 )	Washer, Flat, 0.53b 1.06d .10, Stl, PI	1
10	1225960	(10000000- 20000000 )	Washer, Thrust, 0.89b 1.50d 0.13w, Bnz	2
11	1227036	(10000000- 20000000 )	Spring, Cmpr, 1.10od .085wir 03.0l	2
12	1059990	(10000000- 20000000 )	Sleeve, Flng, 0.32b 1.00/0.50d 0.6l, Ss	3
13	608562	(10000000- 20000000 )	Washer, Flat, 0.51b 0.94d .06, Nyl	6
14	630188	(10000000- 20000000 )	Bearing, Journal, .50id X .25l	3
15	01685	(10000000- 20000000 )	Washer, Flat, 0.38b 0.88d .08, Ss	3
16	74440	(10000000- 20000000 )	Screw, Hex, M8 X 1.25 X 40, NI, Ss	2
17	1016399	(10000000- 20000000 )	Screw, Hex, M8 X 1.25 X 30, NI, Ss	1
18	1212543	(10000000- 20000000 )	Isolator, Neoprene, 1.25" X 1.25", M8	2
19	1020341	(10000000- 20000000 )	Screw, Hex, M8 X 1.25 X 20, Ss, Sems	3
20	1224295	(10000000- 20000000 )	Brkt Wldt, Lift	1
21	01685	(10000000- 20000000 )	Washer, Flat, 0.38b 0.88d .08, Ss	2
22	08713	(10000000- 20000000 )	Nut, Hex, Lock, M8 X 1.25, NI, Ss	2
23	33933	(10000000- 20000000 )	Screw, Pan, Phl, M3 X 0.50 X 25, Ss	6
24	1215716	(10000000- 20000000 )	Switch, 0.1a, Spdt[Micro, Gold Contacts]	2
25	1013705	(10000000- 20000000 )	Plate, Thread, Switch, M3 Nut, 96hr PI	2
26	1221043	(10000000- 20000000 )	Arm Wldt, Lift	1
27	49263	(10000000- 20000000 )	Tie, Cable, Nyl, 11.4l .19w 3.0 Max D	5
28	1225990	(10000000- 20000000 )	Bracket Wldt, Mount, Actuator[T500e]	1
29	1076557	(10959723- 20000000 )	Harness, Ele [Adaptor, Delphi, 4pos.]	1

LOWER CONSOLE GROUP, ON-BOARD CHARGER, WET AND AGM BATTERY

355462





LOWER CONSOLE GROUP, ON-BOARD CHARGER, WET AND AGM BATTERY

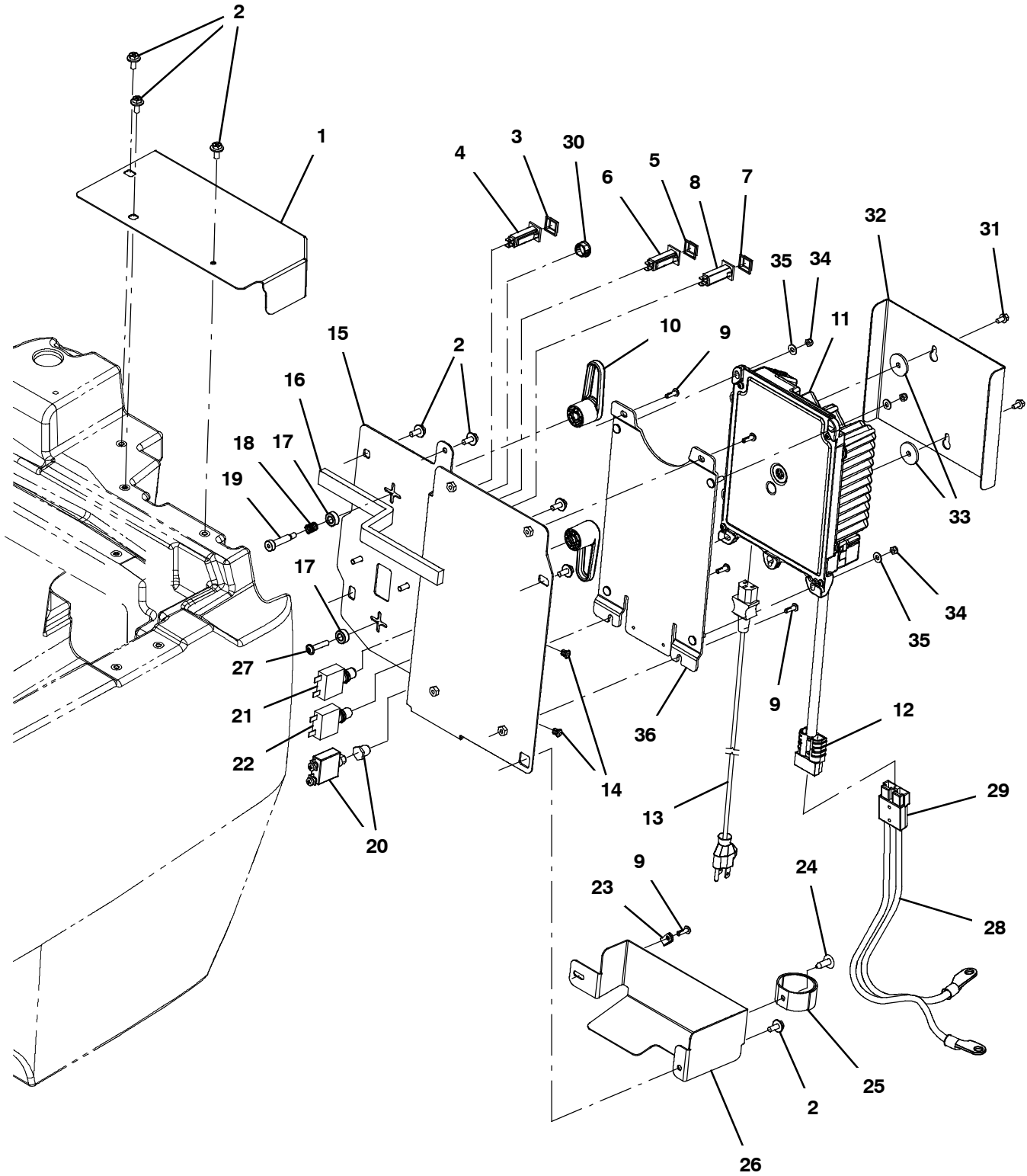
Ref.	Part No.	Serial Number	Description	Qty.	
1	1225401	(10000000- 20000000 )	Bracket, Cover, Charger	1	
2	1034731	(10000000- 20000000 )	Screw, Hex, M6 X 1.00 X 16, Sems, Ss	8	
3	1064191	(10000000- 20000000 )	Boot, Circuitbreaker	1	
4	1208816	(10000000- 20000000 )	Circuitbreaker, 04.0a, Resetable (Key Switch)	1	
5	1064191	(10000000- 20000000 )	Boot, Circuitbreaker	1	
6	1064187	(10000000- 20000000 )	Circuitbreaker, 10.0a, Resetable (Actuator)	1	
7	1064191	(10000000- 20000000 )	Boot, Circuitbreaker	1	
8	1064189	(10000000- 20000000 )	Circuitbreaker, 20.0a, Resetable (Vacuum Fan)	1	
9	1205799	(10000000- 20000000 )	Screw, Btn, M5 X 0.8 X 16, 8.8, NI, Torx	5	
10	1205496	(10000000- 20000000 )	Hook, Cord	2	
▽	11	1250046	(10978950- 20000000 )	Charger, 24vdc 25a 100- 240vac [On- Board]	1
▽	11	1220856	(10000000- 10978949 )	Charger, 24vdc 25a 115- 240vac [On- Board] (Replaced By 1250046)	1
▲	12	605387	(10000000- 20000000 )	Connector, Anderson, 050a, Red [W/O Con]	1
	13	1025642	(10000000- 20000000 )	Cord, Power, 16/3, 15ft Blk [Us]	1
	13	1026330	(10000000- 20000000 )	Cord, Power, 1.0mm2 [2.5meter]	1
	13	1026325	(10000000- 20000000 )	Cord, Power, 1.0mm2/3 Blk[2.5meter, Aus]	1
	13	1048304	(10000000- 20000000 )	Cord, Power [4.5meter, India, S.Africa]	1
	14	1202868	(10000000- 20000000 )	Clip, Tie, 0.25d, Plstc	2
	15	1225019	(10000000- 20000000 )	Bracket Wldt, Charger	1
	16	1046428	(10000000- 20000000 )	Seal, Afmkt, Rbr, Clsd, Adh, 02ft	1
	17	1014668	(10000000- 20000000 )	Bushing, Sleeve, 8mmb 12mmd 6mml	2
	18	611311	(10982634- 20000000 )	Spring, Cmpr, 0.40od .05wir 00.5l, Pl,Mw	1
	18	611311	(10000000- 10982633 )	Spring, Cmpr, 0.40od .05wir 00.5l, Pl,Mw	2
	19	1024965	(10982634- 20000000 )	Bolt, Shld, 08mmd X 030mm, M06 X 1.0	1
	19	1024965	(10000000- 10982633 )	Bolt, Shld, 08mmd X 030mm, M06 X 1.0	2
	20	383729	(10000000- 20000000 )	Circuitbreaker, 60.0a (I- Drive)	1
	21	383724	(10000000- 20000000 )	Circuitbreaker, 25.0a, Resetable (Left Scrub Motor)	1
	22	383724	(10000000- 20000000 )	Circuitbreaker, 25.0a, Resetable (Right Scrub Motor)	1
	23	26395- 2	(10000000- 20000000 )	Clamp, Cable, Stl, 0.38d X 0.38w, 1hole	1
	24	140262	(10000000- 20000000 )	Clip, Snap- In	1
	25	1059534	(10000000- 20000000 )	Fastener, 09.00l [Hook & Loop]	1
	26	1224589	(10000000- 20000000 )	Bracket, Cover, Charger Cables	1
	27	1248098	(10982634- 20000000 )	Screw, Btn, Flng, M6 X 1.0 X 30, 10.9	1
▽	28	1073634	(10000000- 20000000 )	Harness, Chrgr, 12ga [M8 Ring/M8 Ring]	1
▲	29	605387	(10000000- 20000000 )	Connector, Anderson, 050a, Red [W/O Con]	1
	30	1058340	(10000000- 20000000 )	Plug, Hole, Rnd, 0.63h 0.1l, Blk (Models w/out ec- H2O / ABW Option)	1

▽ ASSEMBLY

▲ INCLUDED IN ASSEMBLY

LOWER CONSOLE GROUP, ON-BOARD CHARGER, TPPL BATTERY

355806

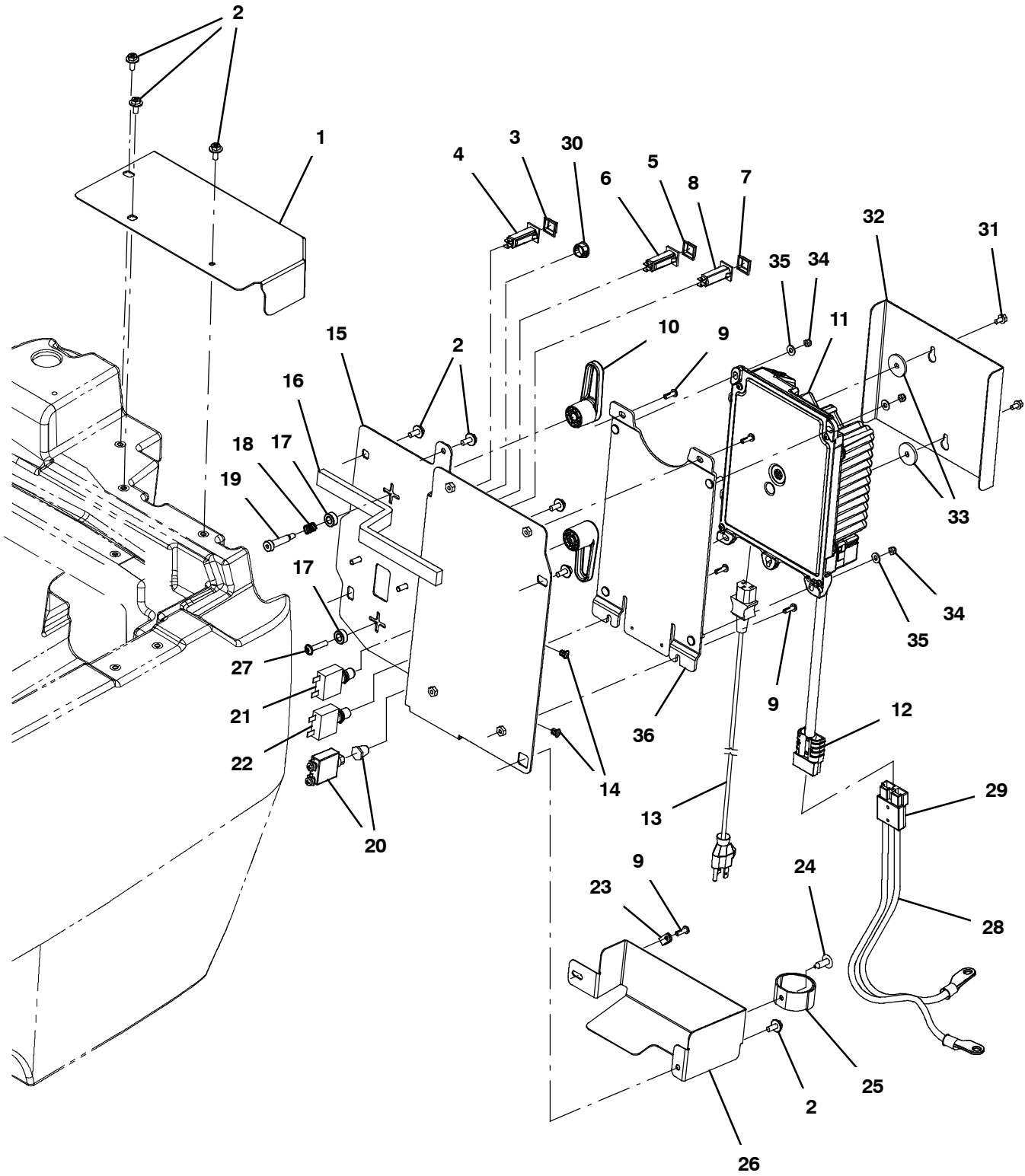


LOWER CONSOLE GROUP, ON- BOARD CHARGER, TPPL BATTERY

Ref.	Part No.	Serial Number	Description	Qty.	
1	1225401	(10000000- 20000000 )	Bracket, Cover, Charger	1	
2	1034731	(10000000- 20000000 )	Screw, Hex, M6 X 1.00 X 16, Sems, Ss	8	
3	1064191	(10000000- 20000000 )	Boot, Circuitbreaker	1	
4	1208816	(10000000- 20000000 )	Circuitbreaker, 04.0a, Resetable (Key Switch)	1	
5	1064191	(10000000- 20000000 )	Boot, Circuitbreaker	1	
6	1064187	(10000000- 20000000 )	Circuitbreaker, 10.0a, Resetable (Actuator)	1	
7	1064191	(10000000- 20000000 )	Boot, Circuitbreaker	1	
8	1064189	(10000000- 20000000 )	Circuitbreaker, 20.0a, Resetable (Vacuum Fan)	1	
9	1205799	(10000000- 20000000 )	Screw, Btn, M5 X 0.8 X 16, 8.8, NI, Torx	9	
10	1205496	(10000000- 20000000 )	Hook, Cord	2	
▽	11	1254123	(10000000- 20000000 )	Charger, 24vdc, 650w,100- 240vac [On Brd]	1
▲	12	605387	(10000000- 20000000 )	Connector, Anderson, 050a, Red [W/O Con]	1
	13	1025642	(10000000- 20000000 )	Cord, Power, 16/3, 15ft Blk [Us]	1
	13	1026330	(10000000- 20000000 )	Cord, Power, 1.0mm2 [2.5meter]	1
	13	1026325	(10000000- 20000000 )	Cord, Power, 1.0mm2/3 Blk[2.5meter, Aus]	1
	13	1048304	(10000000- 20000000 )	Cord, Power [4.5meter, India, S.Africa]	1
	14	1202868	(10000000- 20000000 )	Clip, Tie, 0.25d, Plstc	2
	15	1225019	(10000000- 20000000 )	Bracket Wldt, Charger	1
	16	1046428	(10000000- 20000000 )	Seal, Afmkt, Rbr, Clsd, Adh, 02ft	1
	17	1014668	(10000000- 20000000 )	Bushing, Sleeve, 8mmb 12mmd 6mml	2
	18	611311	(10982634- 20000000 )	Spring, Cmpr, 0.40od .05wir 00.5l, Pl,Mw	1
	18	611311	(10000000- 10982633 )	Spring, Cmpr, 0.40od .05wir 00.5l, Pl,Mw	2
	19	1024965	(10982634- 20000000 )	Bolt, Shld, 08mmd X 030mm, M06 X 1.0	1
	19	1024965	(10000000- 10982633 )	Bolt, Shld, 08mmd X 030mm, M06 X 1.0	2
	20	383729	(10000000- 20000000 )	Circuitbreaker, 60.0a (I- Drive)	1
	21	383724	(10000000- 20000000 )	Circuitbreaker, 25.0a, Resetable (Left Scrub Motor)	1
	22	383724	(10000000- 20000000 )	Circuitbreaker, 25.0a, Resetable (Right Scrub Motor)	1
	23	26395- 2	(10000000- 20000000 )	Clamp, Cable, Stl, 0.38d X 0.38w, 1hole	1
	24	140262	(10000000- 20000000 )	Clip, Snap- In	1
	25	1059534	(10000000- 20000000 )	Fastener, 09.00l [Hook & Loop]	1
	26	1224589	(10000000- 20000000 )	Bracket, Cover, Charger Cables	1
	27	1248098	(10982634- 20000000 )	Screw, Btn, Flng, M6 X 1.0 X 30, 10.9	1
▽	28	1073634	(10000000- 20000000 )	Harness, Chrgr, 12ga [M8 Ring/M8 Ring]	1
▲	29	605387	(10000000- 20000000 )	Connector, Anderson, 050a, Red [W/O Con]	1
	30	1058340	(10000000- 20000000 )	Plug, Hole, Rnd, 0.63h 0.1l, Blk (Models w/out ec- H2O / ABW Option)	1
	31	223198	(10000000- 20000000 )	Screw, Hex, M5 X 0.80 X 10, Fmg	2
	32	1255115	(10000000- 20000000 )	Cover, Charger, Front	1
	33	386063	(10000000- 20000000 )	Washer, Flat, 0.25b 1.12d .12, Ss	2
	34	06549	(10000000- 20000000 )	Nut, Hex, M5 X 0.80 X 16, 8.8	4
	35	01683	(10000000- 20000000 )	Washer, Flat, 10, Ss	4
	36	1254600	(10000000- 20000000 )	Plate Wldt, Charger, Adapter	1

LOWER CONSOLE GROUP, ON-BOARD CHARGER 650W, LITHIUM-ION BATTERY

355961



LOWER CONSOLE GROUP, ON-BOARD CHARGER 650W, LITHIUM-ION BATTERY

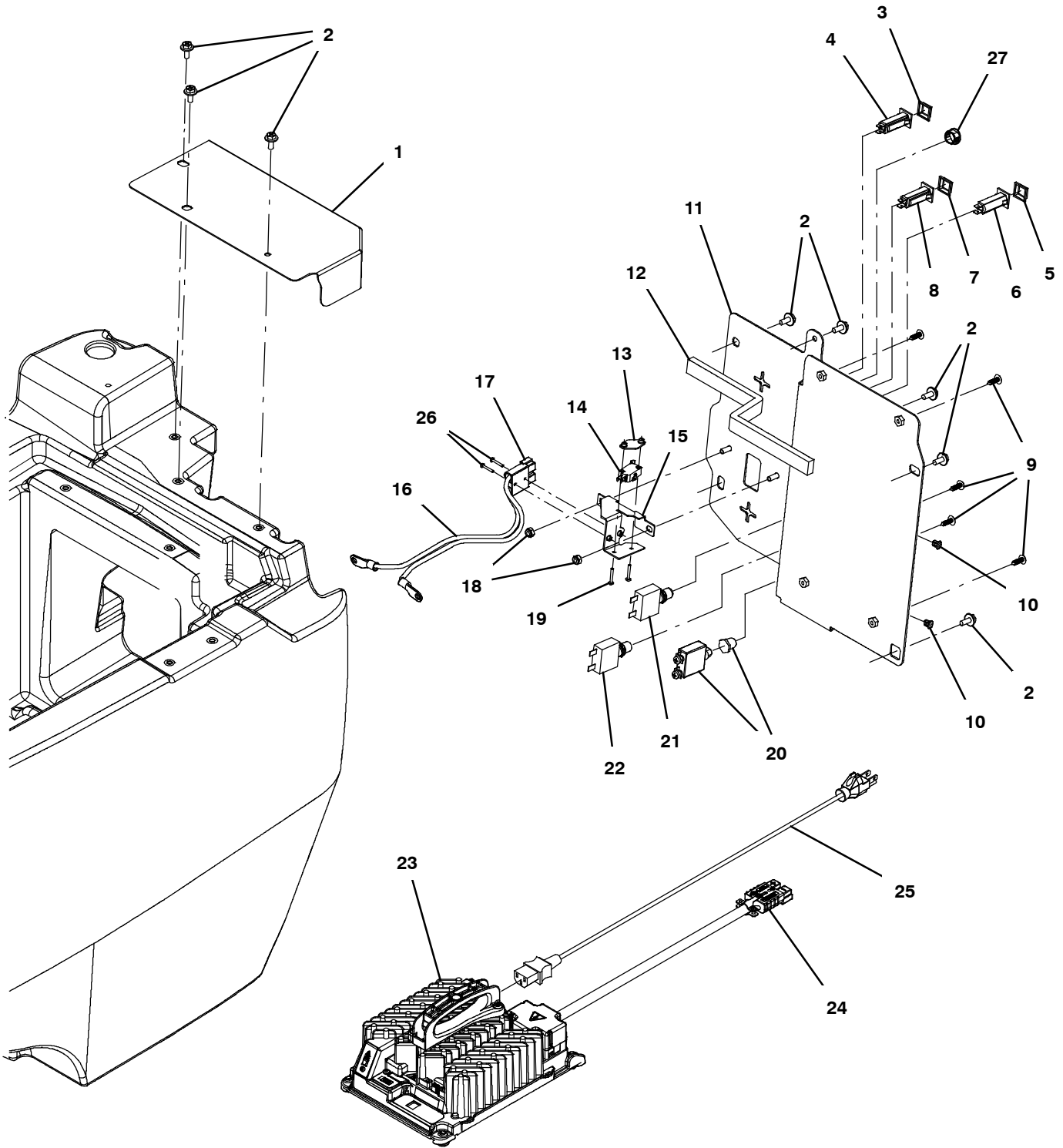
Ref.	Part No.	Serial Number	Description	Qty.	
1	1225401	(10000000- 20000000 )	Bracket, Cover, Charger	1	
2	1034731	(10000000- 20000000 )	Screw, Hex, M6 X 1.00 X 16, Sems, Ss	8	
3	1064191	(10000000- 20000000 )	Boot, Circuitbreaker	1	
4	1208816	(10000000- 20000000 )	Circuitbreaker, 04.0a, Resetable (Key Switch)	1	
5	1064191	(10000000- 20000000 )	Boot, Circuitbreaker	1	
6	1064187	(10000000- 20000000 )	Circuitbreaker, 10.0a, Resetable (Actuator)	1	
7	1064191	(10000000- 20000000 )	Boot, Circuitbreaker	1	
8	1064189	(10000000- 20000000 )	Circuitbreaker, 20.0a, Resetable (Vacuum Fan)	1	
9	1205799	(10000000- 20000000 )	Screw, Btn, M5 X 0.8 X 16, 8.8, NI, Torx	9	
10	1205496	(10000000- 20000000 )	Hook, Cord	2	
▽	11	1261728	(10000000- 20000000 )	Charger, 24vdc, 650w,100- 240vac [On Brd]	1
▲	12	605387	(10000000- 20000000 )	Connector, Anderson, 050a, Red [W/O Con]	1
	13	1025642	(10000000- 20000000 )	Cord, Power, 16/3, 15ft Blk [Us]	1
	13	1026330	(10000000- 20000000 )	Cord, Power, 1.0mm2 [2.5meter]	1
	13	1026325	(10000000- 20000000 )	Cord, Power, 1.0mm2/3 Blk[2.5meter, Aus]	1
	13	1048304	(10000000- 20000000 )	Cord, Power [4.5meter, India, S.Africa]	1
	14	1202868	(10000000- 20000000 )	Clip, Tie, 0.25d, Plstc	2
	15	1225019	(10000000- 20000000 )	Bracket Wldt, Charger	1
	16	1046428	(10000000- 20000000 )	Seal, Afmkt, Rbr, Clsd, Adh, 02ft	1
	17	1014668	(10000000- 20000000 )	Bushing, Sleeve, 8mmb 12mmd 6mml	2
	18	611311	(10982634- 20000000 )	Spring, Cmpr, 0.40od .05wir 00.5l, Pl,Mw	1
	19	1024965	(10982634- 20000000 )	Bolt, Shld, 08mmd X 030mm, M06 X 1.0	1
	20	383729	(10000000- 20000000 )	Circuitbreaker, 60.0a (I- Drive)	1
	21	383724	(10000000- 20000000 )	Circuitbreaker, 25.0a, Resetable (Left Scrub Motor)	1
	22	383724	(10000000- 20000000 )	Circuitbreaker, 25.0a, Resetable (Right Scrub Motor)	1
	23	26395- 2	(10000000- 20000000 )	Clamp, Cable, Stl, 0.38d X 0.38w, 1hole	1
	24	140262	(10000000- 20000000 )	Clip, Snap- In	1
	25	1059534	(10000000- 20000000 )	Fastener, 09.00l [Hook & Loop]	1
	26	1224589	(10000000- 20000000 )	Bracket, Cover, Charger Cables	1
	27	1248098	(10982634- 20000000 )	Screw, Btn, Flng, M6 X 1.0 X 30, 10.9	1
▽	28	1267308	(10000000- 20000000 )	Harness, Chrgr, 10ga [M8 Ring/M8ring]	1
▲	29	605387	(10000000- 20000000 )	Connector, Anderson, 050a, Red [W/O Con]	1
	30	1058340	(10000000- 20000000 )	Plug, Hole, Rnd, 0.63h 0.1l, Blk (Models w/out ec- H2O / ABW Option)	1
	31	223198	(10000000- 20000000 )	Screw, Hex, M5 X 0.80 X 10, Fmg	2
	32	1255115	(10000000- 20000000 )	Cover, Charger, Front	1
	33	386063	(10000000- 20000000 )	Washer, Flat, 0.25b 1.12d .12, Ss	2
	34	06549	(10000000- 20000000 )	Nut, Hex, M5 X 0.80 X 16, 8.8	4
	35	01683	(10000000- 20000000 )	Washer, Flat, 10, Ss	4
	36	1254600	(10000000- 20000000 )	Plate Wldt, Charger, Adapter	1

▽ ASSEMBLY

▲ INCLUDED IN ASSEMBLY

LOWER CONSOLE GROUP, OFF-BOARD CHARGER

355461



## LOWER CONSOLE GROUP, OFF- BOARD CHARGER

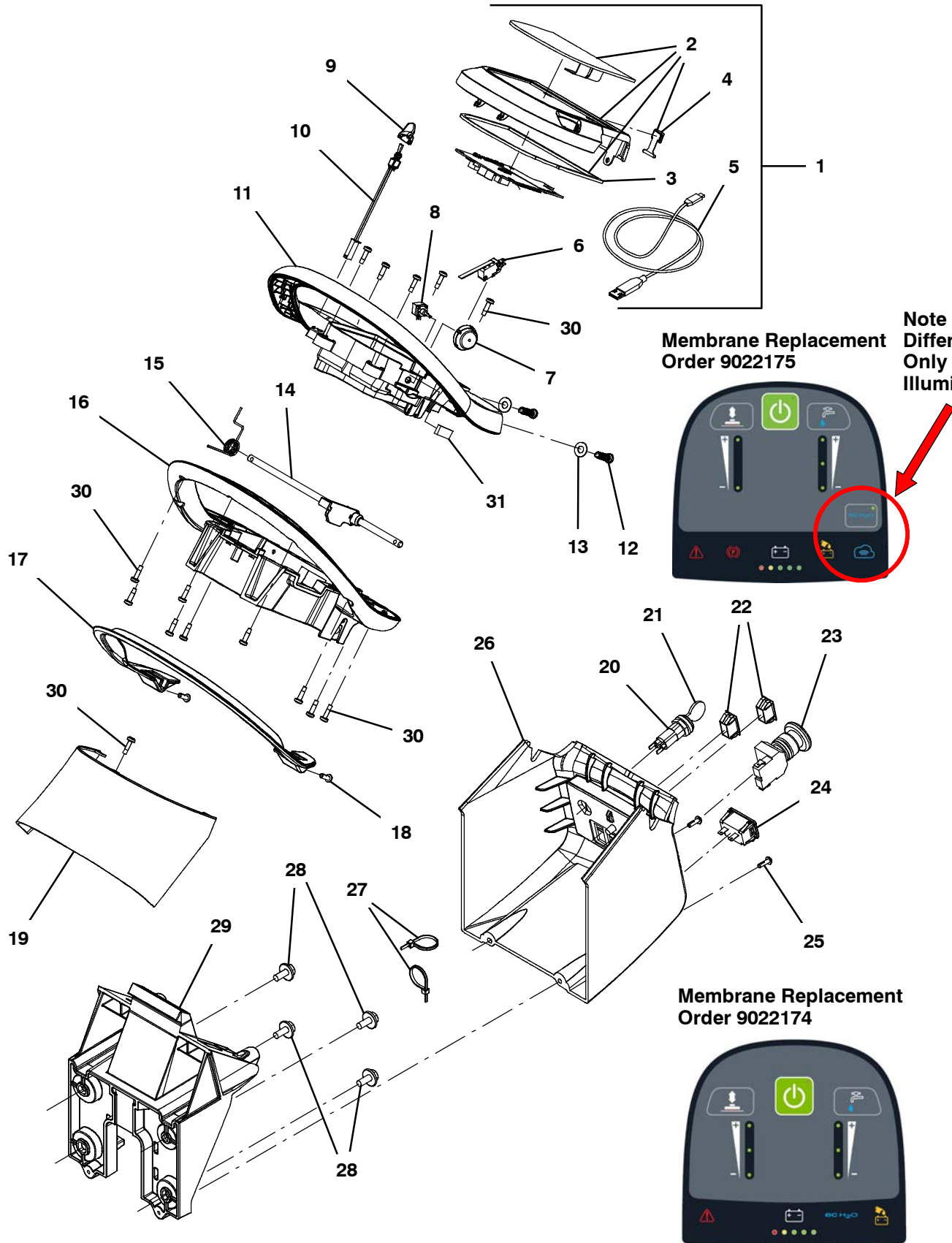
Ref.	Part No.	Serial Number	Description	Qty.
1	1225401	(10000000- 20000000 )	Bracket, Cover, Charger	1
2	1034731	(10000000- 20000000 )	Screw, Hex, M6 X 1.00 X 16, Sems, Ss	8
3	1064191	(10000000- 20000000 )	Boot, Circuitbreaker	1
4	1208816	(10000000- 20000000 )	Circuitbreaker, 04.0a, Resetable (Key Switch)	1
5	1064191	(10000000- 20000000 )	Boot, Circuitbreaker	1
6	1064187	(10000000- 20000000 )	Circuitbreaker, 10.0a, Resetable (Actuator)	1
7	1064191	(10000000- 20000000 )	Boot, Circuitbreaker	1
8	1064189	(10000000- 20000000 )	Circuitbreaker, 20.0a, Resetable (Vacuum Fan)	1
9	397780	(10000000- 20000000 )	Plug, Hole, Rnd, 0.19h 0.7l, Brb, Plstc	5
10	1202868	(10000000- 20000000 )	Clip, Tie, 0.25d, Plstc	2
11	1225019	(10000000- 20000000 )	Bracket Wldt, Charger	1
12	1046428	(10000000- 20000000 )	Seal, Afmkt, Rbr, Clsd, Adh, 02ft	1
13	1013705	(10000000- 20000000 )	Plate, Thread, Switch, M3 Nut, 96hr PI	1
14	1215716	(10000000- 20000000 )	Switch, 0.1a, Spdt[Micro, Gold Contacts]	1
15	1225158	(10000000- 20000000 )	Bracket Assy, Charger Plug	1
▽	16	1073634	(10000000- 20000000 ) Harness, Chrgr, 12ga [M8 Ring/M8 Ring] (Wet & AGM Batteries)	1
▲	17	605387	(10000000- 20000000 ) Connector, Anderson, 050a, Red [W/O Con]	1
▽	16	1267308	(10000000- 20000000 ) Harness, Chrgr, 10ga [M8 Ring/M8 Ring] (Lithium- Ion Batteries)	1
▲	17	605387	(10000000- 20000000 ) Connector, Anderson, 050a, Red [W/O Con]	1
	18	08712	(10000000- 20000000 ) Nut, Hex, Lock, M6 X 1.00, NI, Ss	2
	19	06922	(10000000- 20000000 ) Screw, Pan, Phl, M3 X 0.50 X 20, 4.8	2
	20	383729	(10000000- 20000000 ) Circuitbreaker, 60.0a (I- Drive)	1
	21	383724	(10000000- 20000000 ) Circuitbreaker, 25.0a, Resetable (Left Scrub Motor)	1
	22	383724	(10000000- 20000000 ) Circuitbreaker, 25.0a, Resetable (Right Scrub Motor)	1
▽	23	9015391	(10000000- 20000000 ) Charger Assy, Off- Board [T500/T500e] (Wet & AGM Batteries)	1
▲	24	605387	(10000000- 20000000 ) Connector, Anderson, 050a, Red [W/O Con]	1
▽	23	9021961	(10000000- 20000000 ) Charger, Replmt, Li- Ion, 24v, 650w (Lithium- Ion Batteries)	1
▲	24	605387	(10000000- 20000000 ) Connector, Anderson, 050a, Red [W/O Con]	1
	25	1025642	(10000000- 20000000 ) Cord, Power, 16/3, 15ft Blk [Us]	1
	25	1026330	(10000000- 20000000 ) Cord, Power, 1.0mm2 [2.5meter] (China)	1
	25	1026325	(10000000- 20000000 ) Cord, Power, 1.0mm2/3 Blk[2.5meter, Aus]	1
	25	1048304	(10000000- 20000000 ) Cord, Power [4.5meter, India, S.Africa]	1
	26	06922	(10000000- 20000000 ) Screw, Pan, Phl, M3 X 0.50 X 20, 4.8	2
	27	1058340	(10000000- 20000000 ) Plug, Hole, Rnd, 0.63h 0.1l, Blk (Models w/out ec- H2O / ABW Option)	1

▽ ASSEMBLY

▲ INCLUDED IN ASSEMBLY

CONSOLE GROUP, WITHOUT TELEMETRY

355905





## CONSOLE GROUP, WITHOUT TELEMETRY

Ref.	Part No.	Serial Number	Description	Qty.
∇	1	9022174*	(11054675- 20000000 ) Bezel Kit, Memb, Ci [T500e/Ss500/T600e]	1
▲∇	2	9022175	(11054675- 20000000 ) Screen Kit, Memb, Ci [T500e/Ss500/T600e]	1
▲▲	3	1245824	(MAR2020- 20000000 ) Gasket, Console	1
▲▲	4	1205618	(10000000- 20000000 ) Cap, Usb	1
▲	5	1071235	(10000000- 20000000 ) Cable [Usb, 2m, A- Male To Mini- B- Male]	1
∇	1	9015780*	(10000000- 11054674 ) Bezel Kit, Membrane [T500e, T600e] (Replaced By 9022174)	1
▲∇	2	9015781	(10000000- 11054674 ) Screen Kit, Membrane, Ci [T500e, T600e] (Replaced By 9022174)	1
▲▲	3	1245824	(MAR2020- 20000000 ) Gasket, Console	1
▲▲	4	1205618	(10000000- 20000000 ) Cap, Usb	1
▲	5	1071235	(10000000- 20000000 ) Cable [Usb, 2m, A- Male To Mini- B- Male]	1
	6	1205323	(10000000- 20000000 ) Switch, 0.1a, Spdt [Micro, Straight]	1
	7	1234365	(10000000- 20000000 ) Dial, Range, Speed	1
	8	1256757	(11008828- 20000000 ) Potentiometer [100k, 1 Turn, Multi- Mach]	1
	8	1246392	(10947727- 11008827 ) Potentiometer [100k, 1 Turn, B5/B7] (Rpld by 1256757)	1
	8	1204930	(10000000- 10947726 ) Potentiometer [100k, 1 Turn, B5/B7] (Rpld by 1256757)	1
	9	1209730	(10000000- 20000000 ) Cap, Toggle, Direction	1
	10	1209673	(10000000- 20000000 ) Switch Assy, Toggle, Direction	1
	11	1203787	(10000000- 20000000 ) Housing, Handle, Cntrl, Top	2
	12	1215863	(10000000- 20000000 ) Screw, Pan, Torx, M8 X 3.5 X 25[Remform]	2
	13	140027	(10000000- 20000000 ) Washer, Flat, 0.35b 0.75d .04, Ss	2
	14	1205143	(10000000- 20000000 ) Shaft Assy, Bail, Handle	1
	15	1205781	(10000000- 20000000 ) Spring, Return, Bail	1
	16	1222608	(10000000- 20000000 ) Housing, Handle, Cntrl, Bottom, Slotted	1
	17	1205778	(10000000- 20000000 ) Handle, Bail [Machined]	1
	18	1205799	(10000000- 20000000 ) Screw, Btn, M5 X 0.8 X 16, 8.8, NI, Torx	2
	19	1207004	(10000000- 20000000 ) Cover, Handle, Cntrl	1
∇	20	1011402	(10000000- 20000000 ) Switch, Key	1
▲	21	1017696	(10000000- 20000000 ) Key Set, Replmt [F/ Keyswitch 1011402]	1
	22	582150	(10000000- 20000000 ) Plug, Hole, Rt, 1.23 X 1.12, Nyl	2
	23	1011735	(10000000- 20000000 ) Switch, Safety, Shutoff	1
	24	1064038	(10000000- 20000000 ) Gauge, Hourmeter, 05- 277 Volt, Ac / Dc	1
	25	1205799	(10000000- 20000000 ) Screw, Btn, M5 X 0.8 X 16, 8.8, NI, Torx	2
	26	1223019	(10000000- 20000000 ) Cover, Console, Lower [T500e]	1
	27	130773	(10000000- 20000000 ) Tie, Cable, Nyl, 11.0l, .14w, 3.0 Max. D	2
	28	1020341	(10000000- 20000000 ) Screw, Hex, M8 X 1.25 X 20, Ss, Sems	4
	29	1226368	(10000000- 20000000 ) Frame, Console, Short, Simplified [Im]	1
	30	1043573	(10000000- 20000000 ) Screw, #10- 14 X 0.675, Spl[Shcs,Selftap]	15
	31	1063909	(MAR2020- 20000000 ) Seal, Afmkt, Rbr, Clsd, Adh, 01ft	1

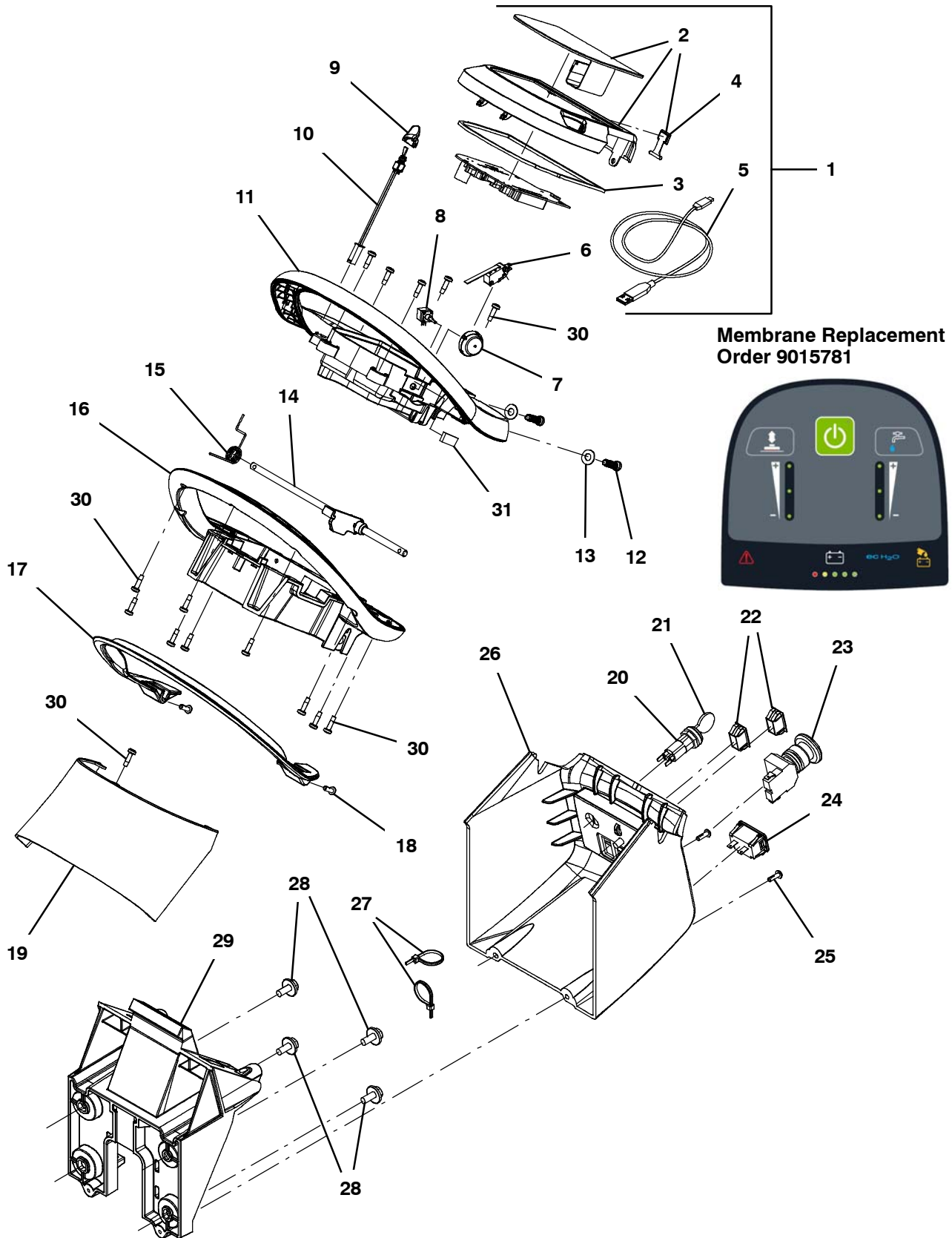
\* Requires Tennant *True* service or an authorized Tennant service provider.

∇ ASSEMBLY

▲ INCLUDED IN ASSEMBLY

CONSOLE GROUP, WITH TELEMETRY

355460



## CONSOLE GROUP, WITH TELEMETRY

Ref.	Part No.	Serial Number	Description	Qty.
▽	1	9015780*	(10000000- 20000000 ) Bezel Kit, Membrane [T500e, T600e]	1
▲▽	2	9015781	(10000000- 20000000 ) Screen Kit, Membrane, CI [T500e, T600e]	1
▲▲	3	1245824	(MAR2020- 20000000 ) Gasket, Console	1
▲▲	4	1205618	(10000000- 20000000 ) Cap, Usb	1
▲	5	1071235	(10000000- 20000000 ) Cable [Usb, 2m, A- Male To Mini- B- Male]	1
	6	1205323	(10000000- 20000000 ) Switch, 0.1a, Spdt [Micro, Straight]	1
	7	1234365	(10000000- 20000000 ) Dial, Range, Speed	1
	8	1256757	(11008828- 20000000 ) Potentiometer [100k, 1 Turn, Multi- Mach]	1
	8	1246392	(10947727- 11008827 ) Potentiometer [100k, 1 Turn, B5/B7] (Rpld by 1256757)	1
	8	1204930	(10000000- 10947726 ) Potentiometer [100k, 1 Turn, B5/B7] (Rpld by 1256757)	1
	9	1209730	(10000000- 20000000 ) Cap, Toggle, Direction	1
	10	1209673	(10000000- 20000000 ) Switch Assy, Toggle, Direction	1
	11	1203787	(10000000- 20000000 ) Housing, Handle, Cntrl, Top	2
	12	1215863	(10000000- 20000000 ) Screw, Pan, Torx, M8 X 3.5 X 25[Remform]	2
	13	140027	(10000000- 20000000 ) Washer, Flat, 0.35b 0.75d .04, Ss	2
	14	1205143	(10000000- 20000000 ) Shaft Assy, Bail, Handle	1
	15	1205781	(10000000- 20000000 ) Spring, Return, Bail	1
	16	1222608	(10000000- 20000000 ) Housing, Handle, Cntrl, Bottom, Slotted	1
	17	1205778	(10000000- 20000000 ) Handle, Bail [Machined]	1
	18	1205799	(10000000- 20000000 ) Screw, Btn, M5 X 0.8 X 16, 8.8, NI, Torx	2
	19	1207004	(10000000- 20000000 ) Cover, Handle, Cntrl	1
▽	20	1011402	(10000000- 20000000 ) Switch, Key	1
▲	21	1017696	(10000000- 20000000 ) Key Set, Replmt [F/ Keyswitch 1011402]	1
	22	582150	(10000000- 20000000 ) Plug, Hole, Rt, 1.23 X 1.12, Nyl	2
	23	1011735	(10000000- 20000000 ) Switch, Safety, Shutoff	1
	24	1064038	(10000000- 20000000 ) Gauge, Hourmeter, 05- 277 Volt, Ac / Dc	1
	25	1205799	(10000000- 20000000 ) Screw, Btn, M5 X 0.8 X 16, 8.8, NI, Torx	2
	26	1223019	(10000000- 20000000 ) Cover, Console, Lower [T500e]	1
	27	130773	(10000000- 20000000 ) Tie, Cable, Nyl, 11.0l, .14w, 3.0 Max. D	2
	28	1020341	(10000000- 20000000 ) Screw, Hex, M8 X 1.25 X 20, Ss, Sems	4
	29	1226368	(10000000- 20000000 ) Frame, Console, Short, Simplified [Im]	1
	30	1043573	(10000000- 20000000 ) Screw, #10- 14 X 0.675, Spl[Shcs,Selftap]	15
	31	1063909	(MAR2020- 20000000 ) Seal, Afmkt, Rbr, Clsd, Adh, 01ft	1

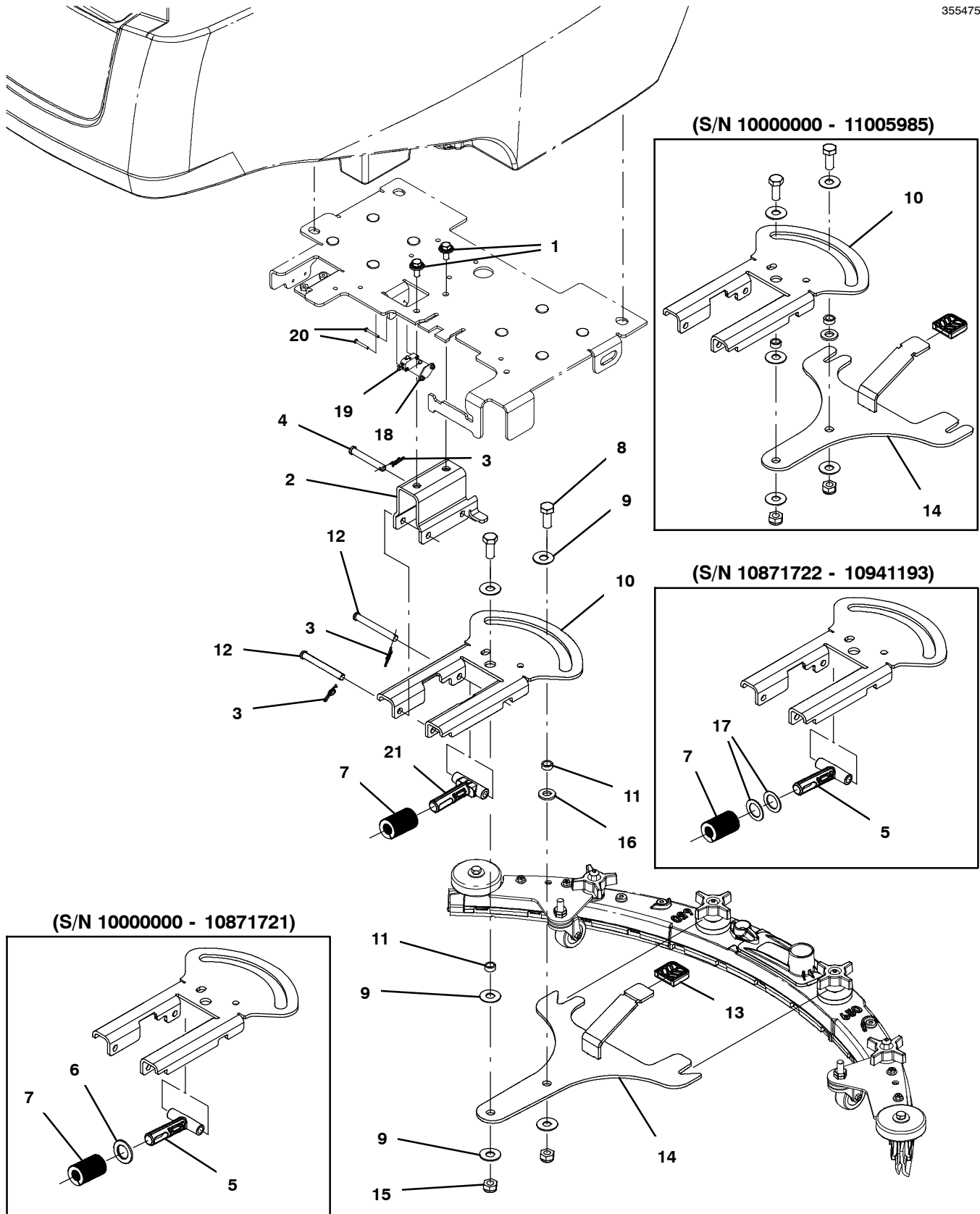
\* Requires Tennant *True* service or an authorized Tennant service provider.

▽ ASSEMBLY

▲ INCLUDED IN ASSEMBLY

SQUEEGEE LIFT GROUP

355475

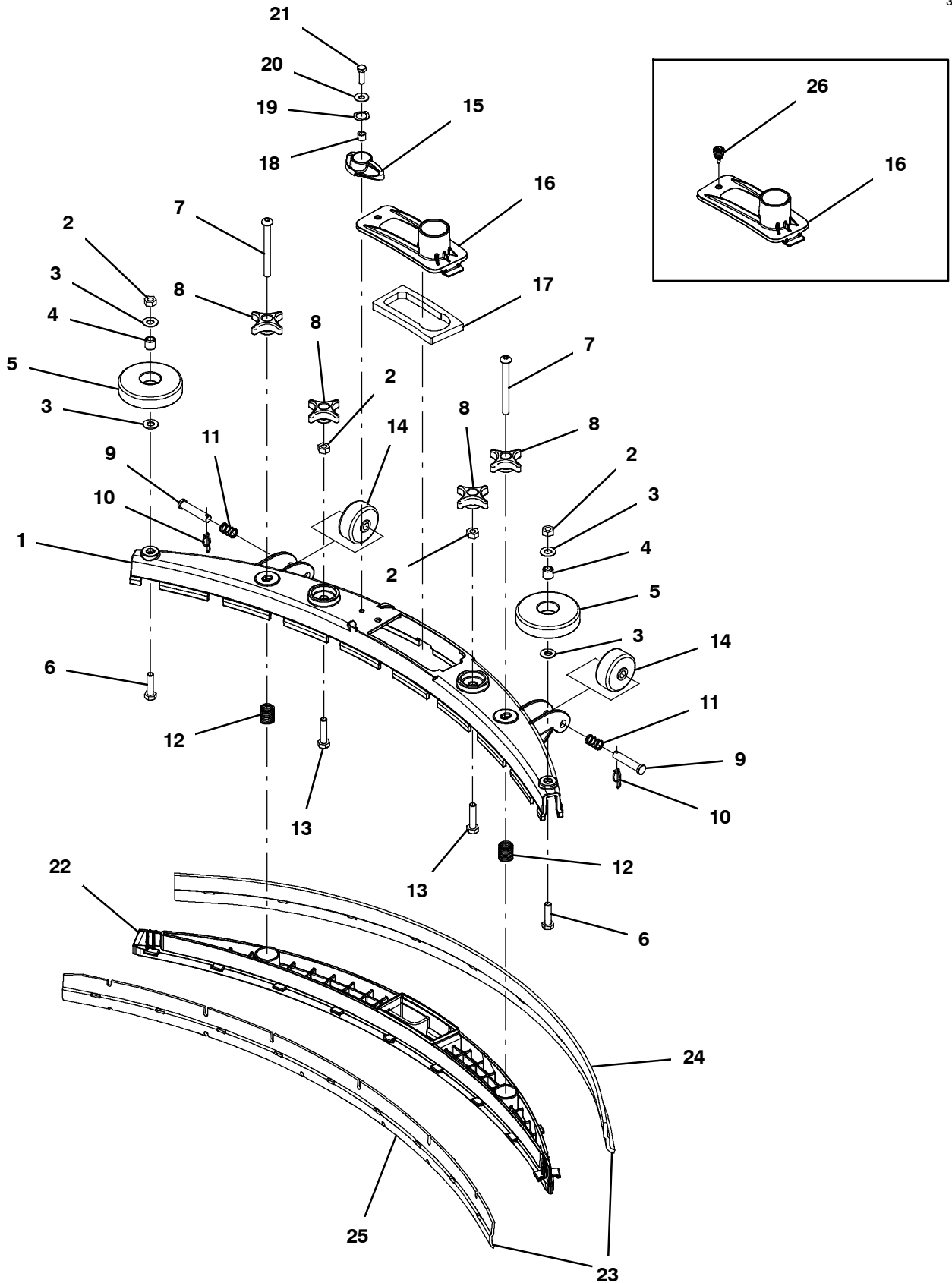


## SQUEEGEE LIFT GROUP

Ref.	Part No.	Serial Number	Description	Qty.
1	1020341	(10000000- 20000000 )	Screw, Hex, M8 X 1.25 X 20, Ss, Sems	2
2	1221959	(10000000- 20000000 )	Bracket, Wldt, Lift, Sqge [T500]	1
3	1216647	(10000000- 20000000 )	Pin, Cotter, Hair, 0.38d .054 Wir	3
4	391179	(10000000- 20000000 )	Pin, Clevis, 0.37d X 2.62l	1
5	1230368	(10000000- 10941193 )	Guide, Spring (Replaced by 9016898)	1
6	1225960	(10000000- 10871721 )	Washer, Thrust, 0.89b 1.50d 0.13w, Bnz	1
7	1253245	(10997797- 20000000 )	Spring, Cmpr, 1.4od, .874id, .263d, 2.0l	1
7	1228773	(10000000- 10997796 )	Spring, Cmpr, 1.25od, .625id, 2.0l (Replaced By 1253245)	1
8	12309	(10000000- 20000000 )	Screw, Hex, M12 X 1.75 X 30, Ss	2
9	140045	(10000000- 20000000 )	Washer, Flat, 0.51b 1.25d .06, Ss	5
10	1255528	(11005986- 20000000 )	Bracket, Pivot, Sqge [T500]	1
10	1219466	(10000000- 11005985 )	Bracket, Pivot, Sqge [T500]	1
11	1013662	(10000000- 20000000 )	Bushing, Sleeve, 12mmb 16mmd 7mml, Pm Yel	2
12	57598	(10000000- 20000000 )	Pin, Clevis, 0.37d X 3.25l	2
13	1212533	(10000000- 20000000 )	Cover, Pedal, Lift	1
14	1246993	(11005986- 20000000 )	Bracket Wldt, Mtg, Sqge [T500]	1
14	1220505	(10000000- 11005985 )	Bracket Wldt, Mtg, Sqge [T500]	1
15	09741	(10000000- 20000000 )	Nut, Hex, Lock, M12 X 1.75, NI, Ss	2
16	140127	(10000000- 20000000 )	Washer, Thrust, 0.51b 1.00d 0.12w, Brz	1
17	82226	(10871722- 10941193 )	Washer, Flat, 0.91b 1.38d .06, Stl, PI	2
18	1013705	(10000000- 20000000 )	Plate, Thread, Switch, M3 Nut, 96hr PI	1
19	1215716	(10000000- 20000000 )	Switch, 0.1a, Spdt[Micro, Gold Contacts]	1
20	33933	(10000000- 20000000 )	Screw, Pan, Phl, M3 X 0.50 X 25, Ss	2
21	1235860	(10941194- 20000000 )	Guide, Spring	1

SQUEEGEE ASSEMBLY, 500MM / 20IN

355437



## SQUEEGEE ASSEMBLY, 500MM / 20IN

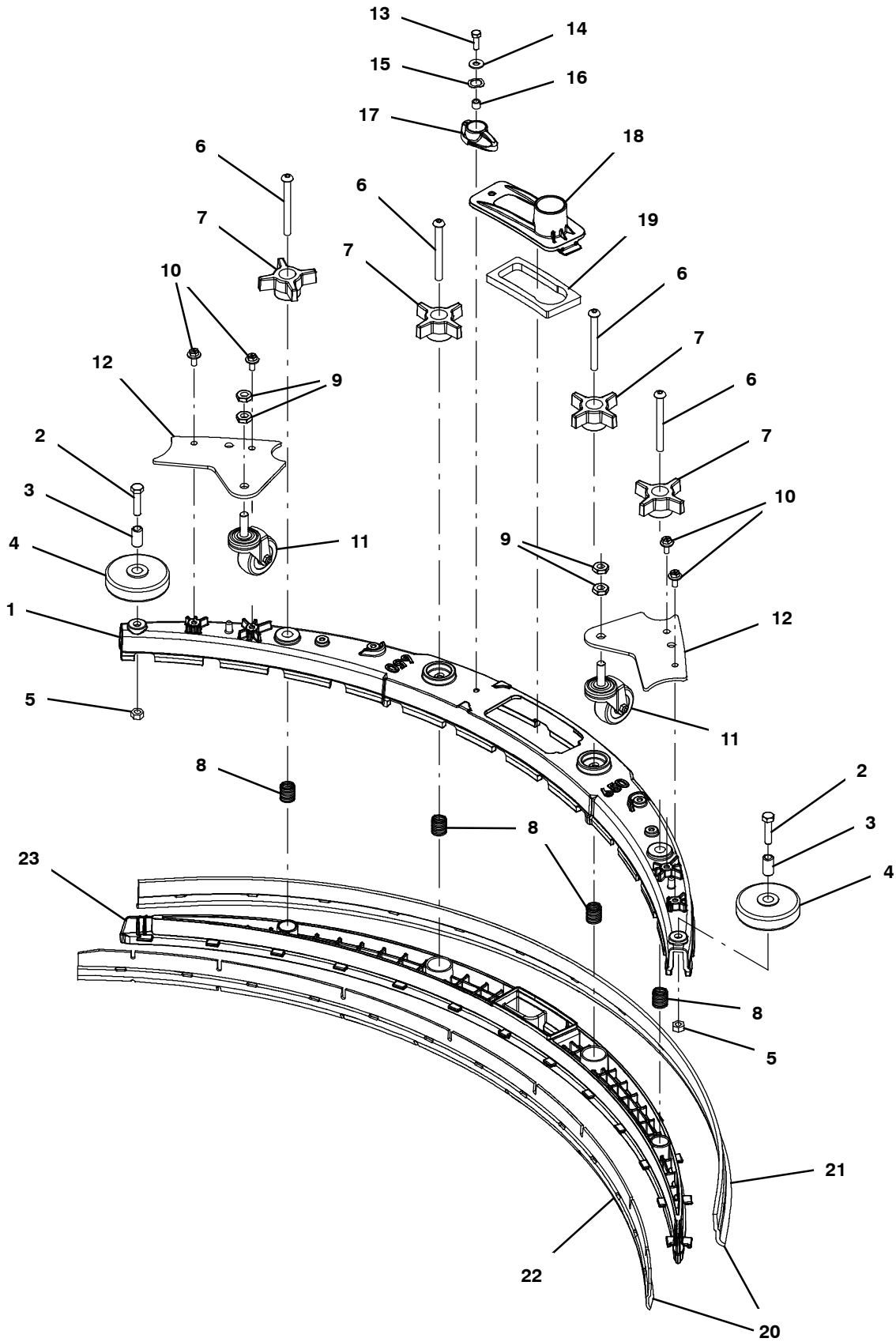
Ref.	Part No.	Serial Number	Description	Qty.
▽	9014172	(10000000- 20000000 )	Squeegee Kit, Linatex, Ci [T300/E/Ss300]	1
▲	1 1230946	(10000000- 20000000 )	Frame, Sqge, 50cm, Mach [T300]	1
▲	2 07786	(10000000- 20000000 )	Nut, Hex, Std, M8 X 1.25, Ss	2
▲	3 140027	(10000000- 20000000 )	Washer, Flat, 0.35b 0.75d .04, Ss	4
▲	4 222460	(10000000- 20000000 )	Sleeve, P/M, 0.32b 0.50d 0.5l [430ss]	2
▲	5 1010560	(10000000- 20000000 )	Wheel, Bmpr, 80d X 25w, Non- Marking	2
▲	6 1016399	(10000000- 20000000 )	Screw, Hex, M8 X 1.25 X 30, NI, Ss	2
▲	7 1212755	(10000000- 20000000 )	Screw, Btn, M8 X 1.25 X 80, Ss	2
▲	8 1213677	(10000000- 20000000 )	Knob, Star, 2.00od 4ear M8x1.25 [Yel]	4
▲	9 17461	(10000000- 20000000 )	Pin, Clevis, 0.37d X 1.75l	2
▲	10 1216647	(10000000- 20000000 )	Pin, Cotter, Hair, 0.38d .054 Wir	2
▲	11 1017091	(10000000- 20000000 )	Spring, Cmpr, 0.50od .04wir 00.8l	2
▲	12 22290	(10000000- 20000000 )	Spring, Cmpr, 0.72od .06wir 02.3l	2
▲	13 09026	(10000000- 20000000 )	Screw, Hex, M8 X 1.25 X 40, Ss	2
▲	14 630477	(10000000- 20000000 )	Wheel, Pyu, 02.0d 0.38w, Gray	2
▲	15 1222109	(xxxxxxx- 20000000 )	Knob, Sqge, 58l, M6 X 1.00, Plstc	1
▲	16 1209631	(10000000- 20000000 )	Cover, Trap, Water, Sqge	1
▲	17 1210756	(10000000- 20000000 )	Gasket, Trap, Water, Sqge	1
▲	18 140154	(xxxxxxx- 20000000 )	Sleeve, P/M, 0.25b 0.38d 0.3l, PI	1
▲	19 140060	(xxxxxxx- 20000000 )	Washer, .505 X .750 X 0.45 Wave	1
▲	20 01684	(xxxxxxx- 20000000 )	Washer, Flat, 0.27b 0.69d .05, Ss	1
▲	21 12277	(xxxxxxx- 20000000 )	Screw, Hex, M6 X 1.00 X 20, NI, Ss	1
▲	22 1203638	(10000000- 20000000 )	Retainer, Sqge [T300]	1
▲▽	23 9015731	(10000000- 20000000 )	Blade Kit, 500mm, Linatex (Standard)	1
▲▲	24 1203953	(10000000- 20000000 )	Blade, Sqge, Rear, 836l, Linatex[500mm] (Standard)	1
▲▲	25 1203954	(10000000- 20000000 )	Blade, Sqge, Front, 788l, Linatex[500mm] (Standard)	1
▽	23 9015732	(10000000- 20000000 )	Blade Kit, 500mm, Urethane (Option)	1
▲	24 1215609	(10000000- 20000000 )	Blade, Sqge, Rear, 836l, Urethane[500mm] (Option)	1
▲	25 1215611	(10000000- 20000000 )	Blade, Sqge, Front, 788l, Urethane[500mm] (Option)	1
▽	23 9015730	(10000000- 20000000 )	Blade Kit, 500mm, Gum (Option)	1
▲	24 1215610	(10000000- 20000000 )	Blade, Sqge, Rear, 836l, Gum[500mm] (Option)	1
▲	25 1215612	(10000000- 20000000 )	Blade, Sqge, Front, 788l, Gum[500mm] (Option)	1
	26 1212683	(10000000- xxxxxxx )	Screw, Captive, M5, Knurled [Snap In]	1

▽ ASSEMBLY

▲ INCLUDED IN ASSEMBLY

SQUEEGEE ASSEMBLY, 650MM / 26IN  
(New Style 9021741)

355838





**SQUEEGEE ASSEMBLY, 650MM / 26IN  
(New Style 9021741)**

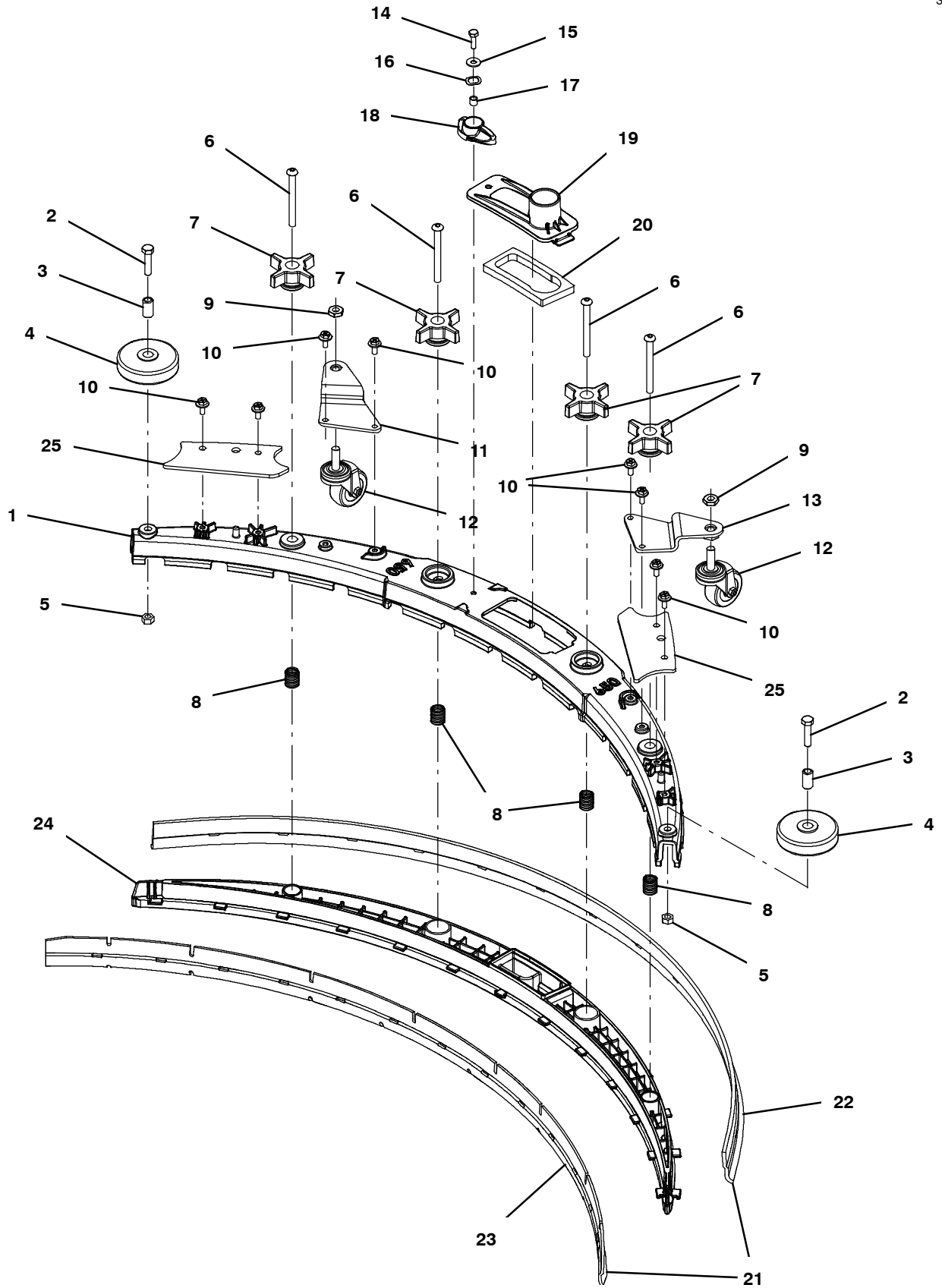
Ref.	Part No.	Serial Number	Description	Qty.
▽	9021741	(11005986- 20000000 )	Squeegee Kit, 650mm	1
▲	1 1243537	(11005986- 20000000 )	Frame, Sqge, 65cm, Mach [T500/T600]	1
▲	2 59658	(10000000- 20000000 )	Screw, Hex, M8 X 1.25 X 35, NI, Ss	2
▲	3 222496	(10000000- 20000000 )	Sleeve, P/M, 0.32b 0.50d 0.9l [430ss]	2
▲	4 222066	(10000000- 20000000 )	Wheel, 03.0d 0.88w 0.50b	2
▲	5 07786	(10000000- 20000000 )	Nut, Hex, Std, M8 X 1.25, Ss	2
▲	6 1255358	(10000000- 20000000 )	Screw, Btn, M8 X 1.25 X 85, Ss	4
▲	7 1074204	(10000000- 20000000 )	Knob,Star,2.75d 4ear 1.1l M8x1.25,Thru,Y	4
▲	8 22290	(10000000- 20000000 )	Spring, Cmpr, 0.72od .06wir 02.3l	4
▲	9 32716	(11005986- 20000000 )	Nut, Hex, Jam, M10 X 1.5, Ss	4
▲	10 1034731	(10964903- 20000000 )	Screw, Hex, M6 X 1.00 X 16, Sems, Ss	4
▲	11 1006343	(10000000- 20000000 )	Caster, Swivel, 50mmd, M10 X 30, Clr PI	2
▲	12 1243364	(11005986- 20000000 )	Plate, Caster, Sqge	2
▲	13 12277	(10000000- 20000000 )	Screw, Hex, M6 X 1.00 X 20, NI, Ss	1
▲	14 01684	(10000000- 20000000 )	Washer, Flat, 0.27b 0.69d .05, Ss	1
▲	15 140060	(10000000- 20000000 )	Washer, Wave- Spring, .505 .750 .045	1
▲	16 140154	(10000000- 20000000 )	Sleeve, P/M, 0.25b 0.38d 0.3l, PI	1
▲	17 1222109	(10000000- 20000000 )	Knob, Sqge, 58l, M6 X 1.00, Plstc	1
▲	18 1209631	(10000000- 20000000 )	Cover, Trap, Water, Sqge	1
▲	19 1210756	(10000000- 20000000 )	Gasket, Trap, Water, Sqge	1
▲▽	20 9015734	(10000000- 20000000 )	Blade Kit, 650mm, Linatex/Linard (Standard)	1
▲▲	21 1221585	(10000000- 20000000 )	Blade, Sqge, Rear, 1166l, Linatex[650mm] (Standard)	1
▲▲	22 1232680	(10000000- 20000000 )	Blade, Sqge, Front, 1072l Linard[650mm] (Standard)	1
▲	23 1221260	(10000000- 20000000 )	Retainer, Sqge, 65cm [T500]	1
▽	20 9015735	(10000000- 20000000 )	Blade Kit, 650mm, Urethane (Option)	1
▲	21 1228909	(10000000- 20000000 )	Blade, Sqge, Rear, 1136l,Urethane[650mm] (Option)	1
▲	22 1228915	(10000000- 20000000 )	Blade, Sqge, Front,1072l,Urethane[650mm] (Option)	1
▽	20 9015733	(10000000- 20000000 )	Blade Kit, 650mm, Gum (Option)	1
▲	21 1228910	(10000000- 20000000 )	Blade, Sqge, Rear, 1136l, Gum[650mm] (Option)	1
▲	22 1228919	(10000000- 20000000 )	Blade, Sqge, Front, 1072l Gum[650mm] (Option)	1

▽ ASSEMBLY

▲ INCLUDED IN ASSEMBLY

**SQUEEGEE ASSEMBLY, 650MM / 26IN**  
(Original Style 9015301 - Replaced By 9021741)

355438



**SQUEEGEE ASSEMBLY, 650MM / 26IN**  
**(Original Style 9015301 - Replaced By 9021741)**

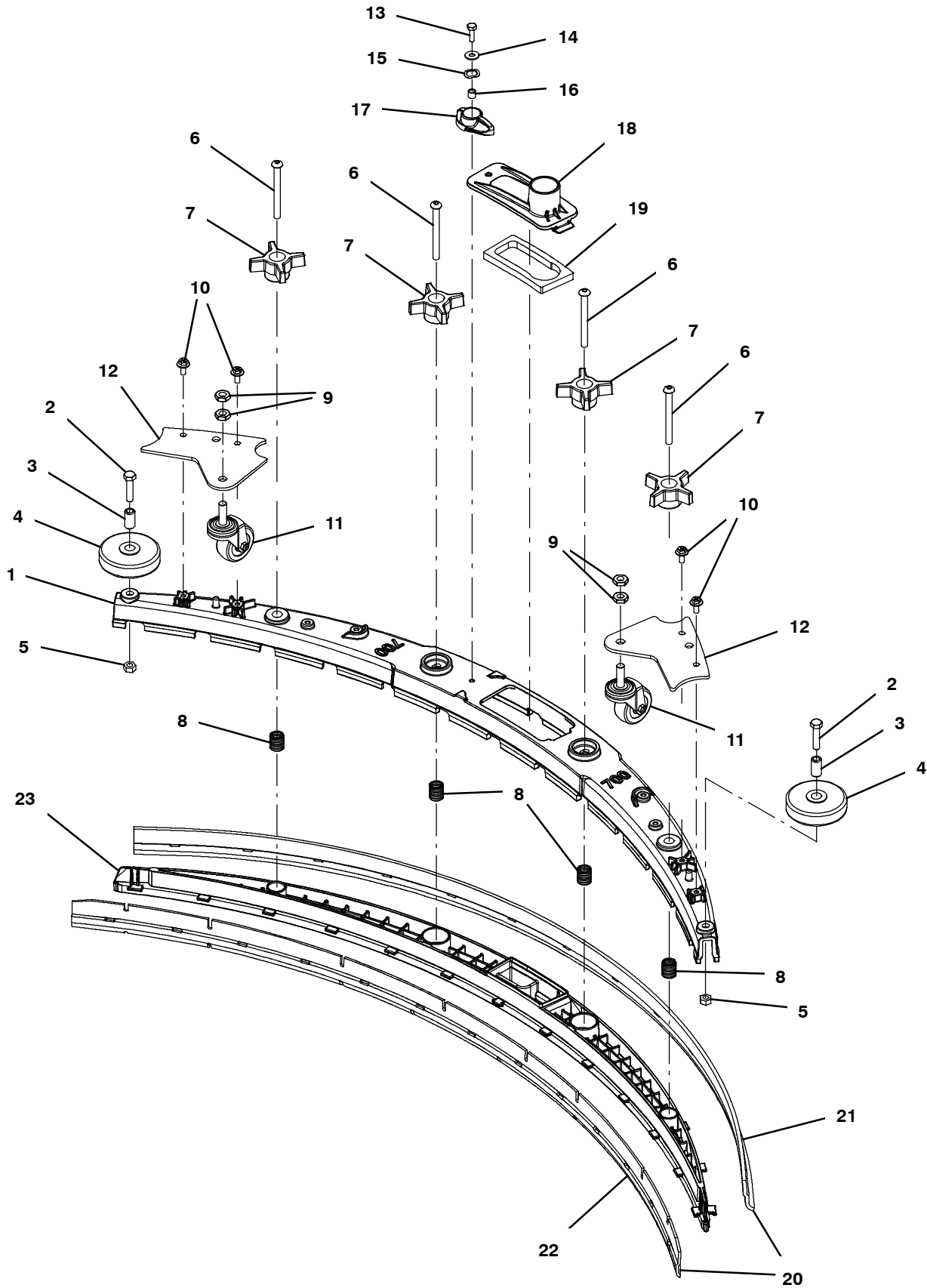
Ref.	Part No.	Serial Number	Description	Qty.
▽	9015301	(10000000- 11005985 )	Squeegee Kit, 650mm, Ci (Replaced By 9021741)	1
▲	1 1243537	(10979889- 11005985 )	Frame, Sqge, 65cm, Mach [T500/T600]	1
▲	1 1221259	(10000000- 10979888 )	Frame, Sqge, 65cm, Mach [T500] (Replaced By 1243537)	1
▲	2 59658	(10000000- 20000000 )	Screw, Hex, M8 X 1.25 X 35, NI, Ss	2
▲	3 222496	(10000000- 20000000 )	Sleeve, P/M, 0.32b 0.50d 0.9l [430ss]	2
▲	4 222066	(10000000- 20000000 )	Wheel, 03.0d 0.88w 0.50b	2
▲	5 07786	(10000000- 20000000 )	Nut, Hex, Std, M8 X 1.25, Ss	2
▲	6 1255358	(10000000- 20000000 )	Screw, Btn, M8 X 1.25 X 80, Ss	4
▲	7 1074204	(10000000- 20000000 )	Knob,Star,2.75d 4ear 1.1l M8x1.25,Thru,Y	4
▲	8 22290	(10000000- 20000000 )	Spring, Cmpr, 0.72od .06wir 02.3l	4
▲	9 32716	(10000000- 11005985 )	Nut, Hex, Jam, M10 X 1.5, Ss	2
▲	10 1034731	(10000000- 11005985 )	Screw, Hex, M6 X 1.00 X 16, Sems, Ss	8
▲	11 1222236	(10000000- 11005985 )	Bracket Wldt, Caster, Rh Sqge[T500]	1
▲	12 1006343	(10000000- 20000000 )	Caster, Swivel, 50mmd, M10 X 30, Clr PI	2
▲	13 1222001	(10000000- 11005985 )	Bracket Wldt, Caster, Lh Sqge [T500]	1
▲	14 12277	(10000000- 20000000 )	Screw, Hex, M6 X 1.00 X 20, NI, Ss	1
▲	15 01684	(10000000- 20000000 )	Washer, Flat, 0.27b 0.69d .05, Ss	1
▲	16 140060	(10000000- 20000000 )	Washer, Wave- Spring, .505 .750 .045	1
▲	17 140154	(10000000- 20000000 )	Sleeve, P/M, 0.25b 0.38d 0.3l, PI	1
▲	18 1222109	(10000000- 20000000 )	Knob, Sqge, 58l, M6 X 1.00, Plstc	1
▲	19 1209631	(10000000- 20000000 )	Cover, Trap, Water, Sqge	1
▲	20 1210756	(10000000- 20000000 )	Gasket, Trap, Water, Sqge	1
▲▽	21 9015734	(10000000- 20000000 )	Blade Kit, 650mm, Linatex/Linard (Standard)	1
▲▲	22 1221585	(10000000- 20000000 )	Blade, Sqge, Rear, 1166l, Linatex[650mm] (Standard)	1
▲▲	23 1232680	(10000000- 20000000 )	Blade, Sqge, Front, 1072l Linard[650mm] (Standard)	1
▲	24 1221260	(10000000- 20000000 )	Retainer, Sqge, 65cm [T500]	1
▲	25 1230738	(10000000- 11005985 )	Bracket, Sqge Bumper	2
▽	21 9015735	(10000000- 20000000 )	Blade Kit, 650mm, Urethane (Option)	1
▲	22 1228909	(10000000- 20000000 )	Blade, Sqge, Rear, 1136l,Urethane[650mm] (Option)	1
▲	23 1228915	(10000000- 20000000 )	Blade, Sqge, Front,1072l,Urethane[650mm] (Option)	1
▽	21 9015733	(10000000- 20000000 )	Blade Kit, 650mm, Gum (Option)	1
▲	22 1228910	(10000000- 20000000 )	Blade, Sqge, Rear, 1136l, Gum[650mm] (Option)	1
▲	23 1228919	(10000000- 20000000 )	Blade, Sqge, Front, 1072l Gum[650mm] (Option)	1

▽ ASSEMBLY

▲ INCLUDED IN ASSEMBLY

SQUEEGEE ASSEMBLY, 700MM / 28IN  
(New Style 9021742)

355839



**SQUEEGEE ASSEMBLY, 700MM / 28IN  
(New Style 9021742)**

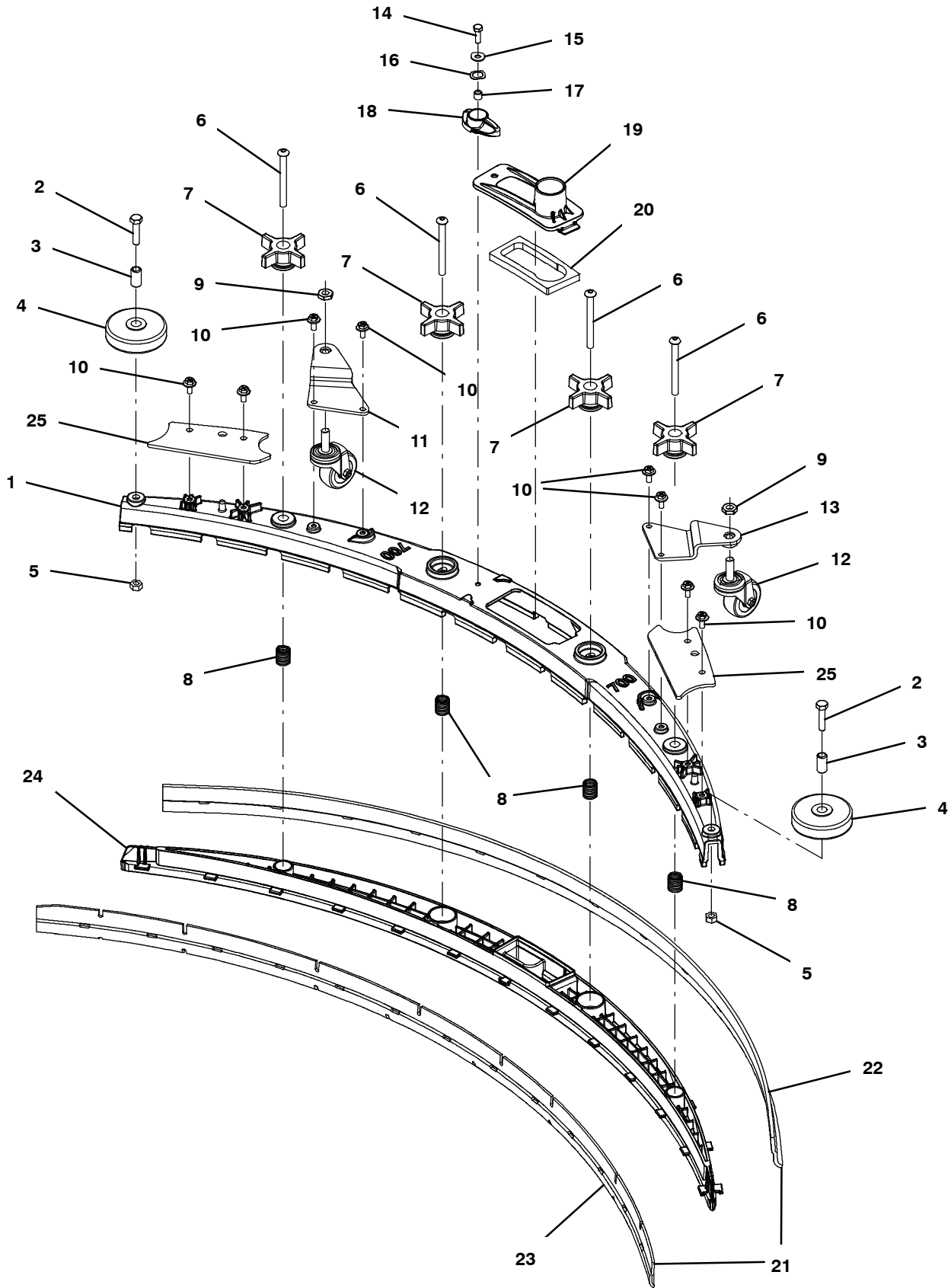
Ref.	Part No.	Serial Number	Description	Qty.
▽	9021742	(11005986- 20000000 )	Squeegee Kit, 700mm	1
▲	1 1241632	(11005986- 20000000 )	Frame, Sqge, 70cm, Mach [T500/T600]	1
▲	2 59658	(10000000- 20000000 )	Screw, Hex, M8 X 1.25 X 35, NI, Ss	2
▲	3 222496	(10000000- 20000000 )	Sleeve, P/M, 0.32b 0.50d 0.9l [430ss]	2
▲	4 222066	(10000000- 20000000 )	Wheel, 03.0d 0.88w 0.50b	2
▲	5 07786	(10000000- 20000000 )	Nut, Hex, Std, M8 X 1.25, Ss	2
▲	6 1255358	(10000000- 20000000 )	Screw, Btn, M8 X 1.25 X 85, Ss	4
▲	7 1074204	(10000000- 20000000 )	Knob,Star,2.75d 4ear 1.1l M8x1.25,Thru,Y	4
▲	8 22290	(10000000- 20000000 )	Spring, Cmpr, 0.72od .06wir 02.3l	4
▲	9 32716	(11005986- 20000000 )	Nut, Hex, Jam, M10 X 1.5, Ss	4
▲	10 1034731	(11005986- 20000000 )	Screw, Hex, M6 X 1.00 X 16, Sems, Ss	4
▲	11 1006343	(10000000- 20000000 )	Caster, Swivel, 50mmd, M10 X 30, Clr PI	2
▲	12 1243364	(11005986- 20000000 )	Plate, Caster, Sqge	2
▲	13 12277	(10000000- 20000000 )	Screw, Hex, M6 X 1.00 X 20, NI, Ss	1
▲	14 01684	(10000000- 20000000 )	Washer, Flat, 0.27b 0.69d .05, Ss	1
▲	15 140060	(10000000- 20000000 )	Washer, Wave- Spring, .505 .750 .045	1
▲	16 140154	(10000000- 20000000 )	Sleeve, P/M, 0.25b 0.38d 0.3l, PI	1
▲	17 1222109	(10000000- 20000000 )	Knob, Sqge, 58l, M6 X 1.00, Plstc	1
▲	18 1209631	(10000000- 20000000 )	Cover, Trap, Water, Sqge	1
▲	19 1210756	(10000000- 20000000 )	Gasket, Trap, Water, Sqge	1
▲▽	20 9015737	(10000000- 20000000 )	Blade Kit, 700mm, Linatex/Linard (Standard)	1
▲▲	21 1221572	(10000000- 20000000 )	Blade, Sqge, Rear, 1204l, Linatex[700mm] (Standard)	1
▲▲	22 1232679	(10000000- 20000000 )	Blade, Sqge, Front, 1148l Linard[700mm] (Standard)	1
▲	23 1220783	(10000000- 20000000 )	Retainer, Sqge, 70cm [T500]	1
▽	20 9015738	(10000000- 20000000 )	Blade Kit, 700mm, Urethane (Option)	1
▲	21 1228904	(10000000- 20000000 )	Blade, Sqge, Rear, 1204l,Urethane[700mm] (Option)	1
▲	22 1228906	(10000000- 20000000 )	Blade, Sqge, Front,1148l Urethane[700mm] (Option)	1
▽	20 9015736	(10000000- 20000000 )	Blade Kit, 700mm, Gum (Option)	1
▲	21 1228905	(10000000- 20000000 )	Blade, Sqge, Rear, 1204l, Gum[700mm] (Option)	1
▲	22 1228907	(10000000- 20000000 )	Blade, Sqge, Front, 1148l Gum[700mm] (Option)	1

▽ ASSEMBLY

▲ INCLUDED IN ASSEMBLY

**SQUEEGEE ASSEMBLY, 700MM / 28IN**  
(Original Style 9015302 - Replaced By 9021742)

355439



**SQUEEGEE ASSEMBLY, 700MM / 28IN**  
**(Original Style 9015302 - Replaced By 9021742)**

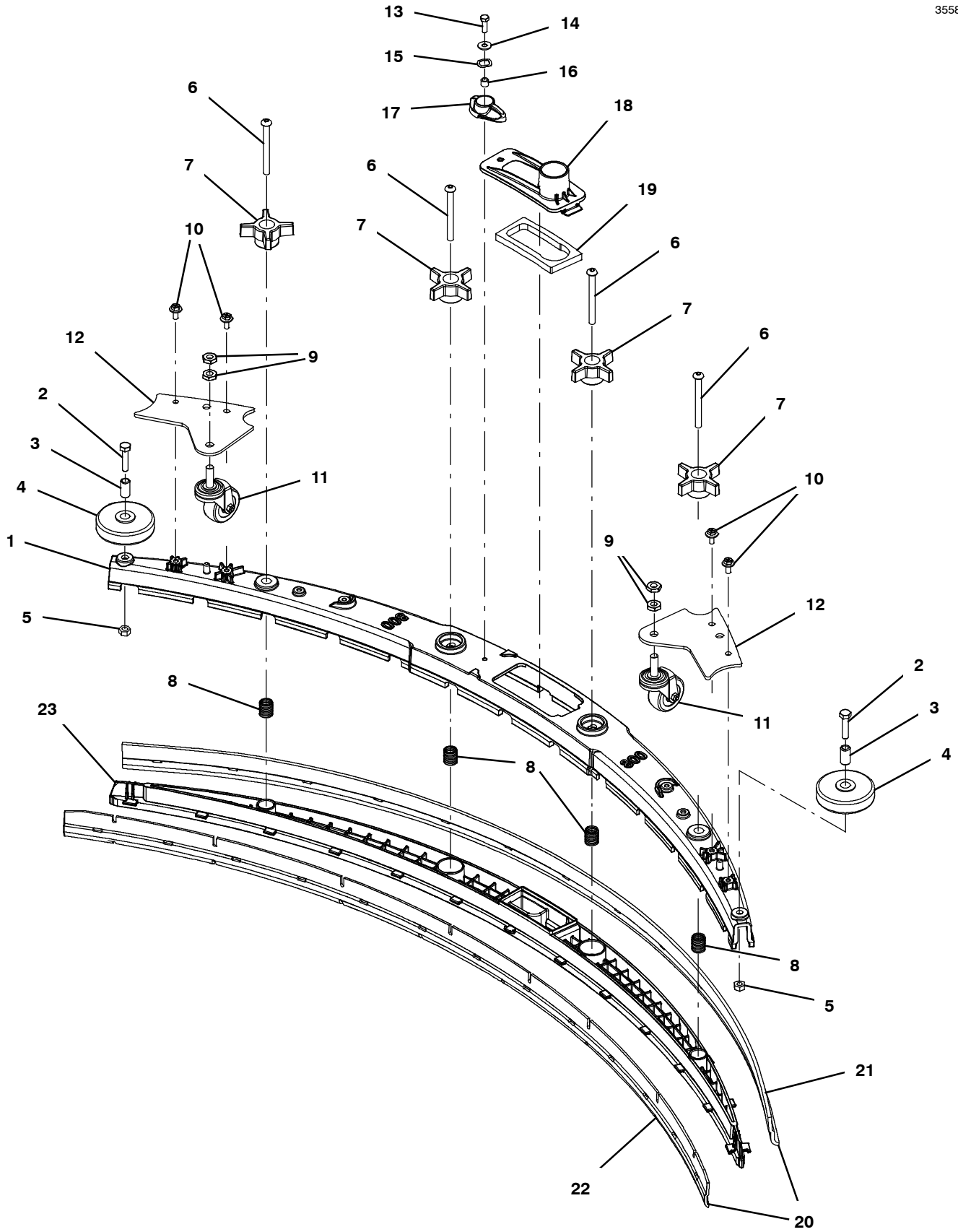
Ref.	Part No.	Serial Number	Description	Qty.
▽	9015302	(10000000- 11005985 )	Squeegee Kit, 700mm, Ci (Replaced By 9021742)	1
▲	1 1241632	(10983981- 11005985 )	Frame, Sqge, 70cm, Mach [T500/T600]	1
▲	1 1220309	(10000000- 10983980 )	Frame, Sqge, 70cm, Mach [T500] (Replaced By 1241632)	1
▲	2 59658	(10000000- 20000000 )	Screw, Hex, M8 X 1.25 X 35, NI, Ss	2
▲	3 222496	(10000000- 20000000 )	Sleeve, P/M, 0.32b 0.50d 0.9l [430ss]	2
▲	4 222066	(10000000- 20000000 )	Wheel, 03.0d 0.88w 0.50b	2
▲	5 07786	(10000000- 20000000 )	Nut, Hex, Std, M8 X 1.25, Ss	2
▲	6 1255358	(10000000- 20000000 )	Screw, Btn, M8 X 1.25 X 80, Ss	4
▲	7 1074204	(10000000- 20000000 )	Knob,Star,2.75d 4ear 1.1l M8x1.25,Thru,Y	4
▲	8 22290	(10000000- 20000000 )	Spring, Cmpr, 0.72od .06wir 02.3l	4
▲	9 32716	(10000000- 11005985 )	Nut, Hex, Jam, M10 X 1.5, Ss	2
▲	10 1034731	(10000000- 11005985 )	Screw, Hex, M6 X 1.00 X 16, Sems, Ss	8
▲	11 1222236	(10000000- 11005985 )	Bracket Wldt, Caster, Rh Sqge[T500]	1
▲	12 1006343	(10000000- 20000000 )	Caster, Swivel, 50mmd, M10 X 30, Clr PI	2
▲	13 1222001	(10000000- 11005985 )	Bracket Wldt, Caster, Lh Sqge [T500]	1
▲	14 12277	(10000000- 20000000 )	Screw, Hex, M6 X 1.00 X 20, NI, Ss	1
▲	15 01684	(10000000- 20000000 )	Washer, Flat, 0.27b 0.69d .05, Ss	1
▲	16 140060	(10000000- 20000000 )	Washer, Wave- Spring, .505 .750 .045	1
▲	17 140154	(10000000- 20000000 )	Sleeve, P/M, 0.25b 0.38d 0.3l, PI	1
▲	18 1222109	(10000000- 20000000 )	Knob, Sqge, 58l, M6 X 1.00, Plstc	1
▲	19 1209631	(10000000- 20000000 )	Cover, Trap, Water, Sqge	1
▲	20 1210756	(10000000- 20000000 )	Gasket, Trap, Water, Sqge	1
▲▽	21 9015737	(10000000- 20000000 )	Blade Kit, 700mm, Linatex/Linard (Standard)	1
▲▲	22 1221572	(10000000- 20000000 )	Blade, Sqge, Rear, 1204l, Linatex[700mm] (Standard)	1
▲▲	23 1232679	(10000000- 20000000 )	Blade, Sqge, Front, 1148l Linard[700mm] (Standard)	1
▲	24 1220783	(10000000- 20000000 )	Retainer, Sqge, 70cm [T500]	1
▲	25 1230738	(10000000- 11005985 )	Bracket, Sqge Bumper	2
▽	21 9015738	(10000000- 20000000 )	Blade Kit, 700mm, Urethane (Option)	1
▲	22 1228904	(10000000- 20000000 )	Blade, Sqge, Rear, 1204l,Urethane[700mm] (Option)	1
▲	23 1228906	(10000000- 20000000 )	Blade, Sqge, Front,1148l Urethane[700mm] (Option)	1
▽	21 9015736	(10000000- 20000000 )	Blade Kit, 700mm, Gum (Option)	1
▲	22 1228905	(10000000- 20000000 )	Blade, Sqge, Rear, 1204l, Gum[700mm] (Option)	1
▲	23 1228907	(10000000- 20000000 )	Blade, Sqge, Front, 1148l Gum[700mm] (Option)	1

▽ ASSEMBLY

▲ INCLUDED IN ASSEMBLY

SQUEEGEE ASSEMBLY, 800MM / 32IN  
(New Style 9021743)

355840





**SQUEEGEE ASSEMBLY, 800MM / 32IN  
(New Style 9021743)**

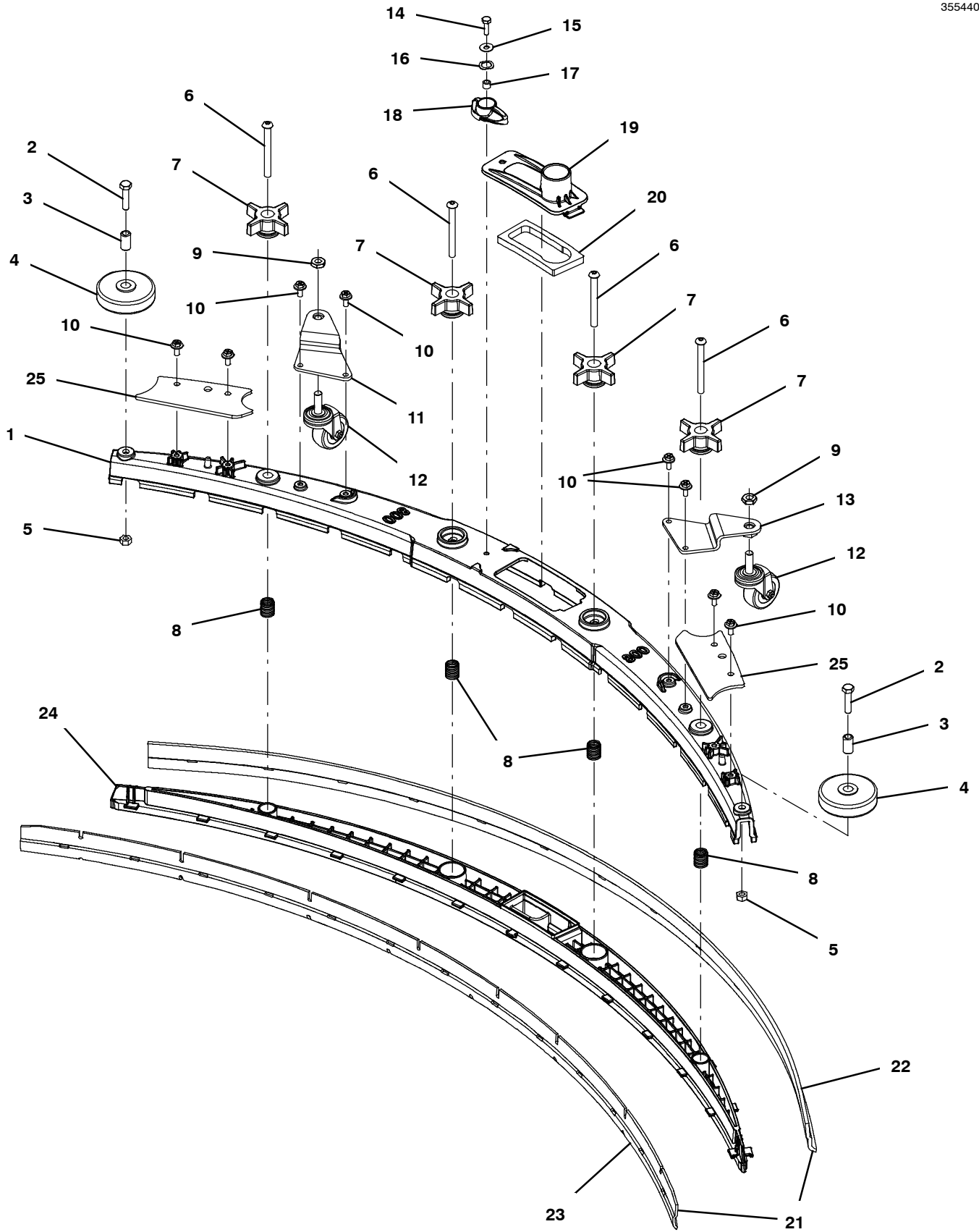
Ref.	Part No.	Serial Number	Description	Qty.
▽	9021743	(11005986-20000000 )	Squeegee Kit, 800mm	1
▲	1 1243538	(11005986-20000000 )	Frame, Sqge, 80cm, Mach [T500/T600]	1
▲	2 59658	(10000000-20000000 )	Screw, Hex, M8 X 1.25 X 35, NI, Ss	2
▲	3 222496	(10000000-20000000 )	Sleeve, P/M, 0.32b 0.50d 0.9l [430ss]	2
▲	4 222066	(10000000-20000000 )	Wheel, 03.0d 0.88w 0.50b	2
▲	5 07786	(10000000-20000000 )	Nut, Hex, Std, M8 X 1.25, Ss	2
▲	6 1255358	(10000000-20000000 )	Screw, Btn, M8 X 1.25 X 85, Ss	4
▲	7 1074204	(10000000-20000000 )	Knob,Star,2.75d 4ear 1.1l M8x1.25,Thru,Y	4
▲	8 22290	(10000000-20000000 )	Spring, Cmpr, 0.72od .06wir 02.3l	4
▲	9 32716	(11005986-20000000 )	Nut, Hex, Jam, M10 X 1.5, Ss	4
▲	10 1034731	(11005986-20000000 )	Screw, Hex, M6 X 1.00 X 16, Sems, Ss	4
▲	11 1006343	(10000000-20000000 )	Caster, Swivel, 50mmd, M10 X 30, Clr PI	2
▲	12 1243364	(11005986-20000000 )	Plate, Caster, Sqge	2
▲	13 12277	(10000000-20000000 )	Screw, Hex, M6 X 1.00 X 20, NI, Ss	1
▲	14 01684	(10000000-20000000 )	Washer, Flat, 0.27b 0.69d .05, Ss	1
▲	15 140060	(10000000-20000000 )	Washer, Wave- Spring, .505 .750 .045	1
▲	16 140154	(10000000-20000000 )	Sleeve, P/M, 0.25b 0.38d 0.3l, PI	1
▲	17 1222109	(10000000-20000000 )	Knob, Sqge, 58l, M6 X 1.00, Plstc	1
▲	18 1209631	(10000000-20000000 )	Cover, Trap, Water, Sqge	1
▲	19 1210756	(10000000-20000000 )	Gasket, Trap, Water, Sqge	1
▲▽	20 9015740	(10000000-20000000 )	Blade Kit, 800mm, Linatex/Linard (Standard)	1
▲▲	21 1221115	(10000000-20000000 )	Blade, Sqge, Rear, 1306l, Linatex[800mm] (Standard)	1
▲▲	22 1232681	(10000000-20000000 )	Blade, Sqge, Front, 1256l Linard[800mm] (Standard)	1
▲	23 1219405	(10000000-20000000 )	Retainer, Sqge, 80cm [T500]	1
▽	20 9015741	(10000000-20000000 )	Blade Kit, 800mm, Urethane (Option)	1
▲	21 1228920	(10000000-20000000 )	Blade, Sqge, Rear, 1306l,Urethane[800mm] (Option)	1
▲	22 1228922	(10000000-20000000 )	Blade, Sqge, Front,1256l Urethane[800mm] (Option)	1
▽	20 9015739	(10000000-20000000 )	Blade Kit, 800mm, Gum (Option)	1
▲	21 1228921	(10000000-20000000 )	Blade, Sqge, Rear, 1306l, Gum[800mm] (Option)	1
▲	22 1228923	(10000000-20000000 )	Blade, Sqge, Front, 1256l Gum[800mm] (Option)	1

▽ ASSEMBLY

▲ INCLUDED IN ASSEMBLY

SQUEEGEE ASSEMBLY, 800MM / 32IN  
(Original Style 9015303 - Replaced By 9021743)

355440



**SQUEEGEE ASSEMBLY, 800MM / 32IN**  
**(Original Style 9015303 - Replaced By 9021743)**

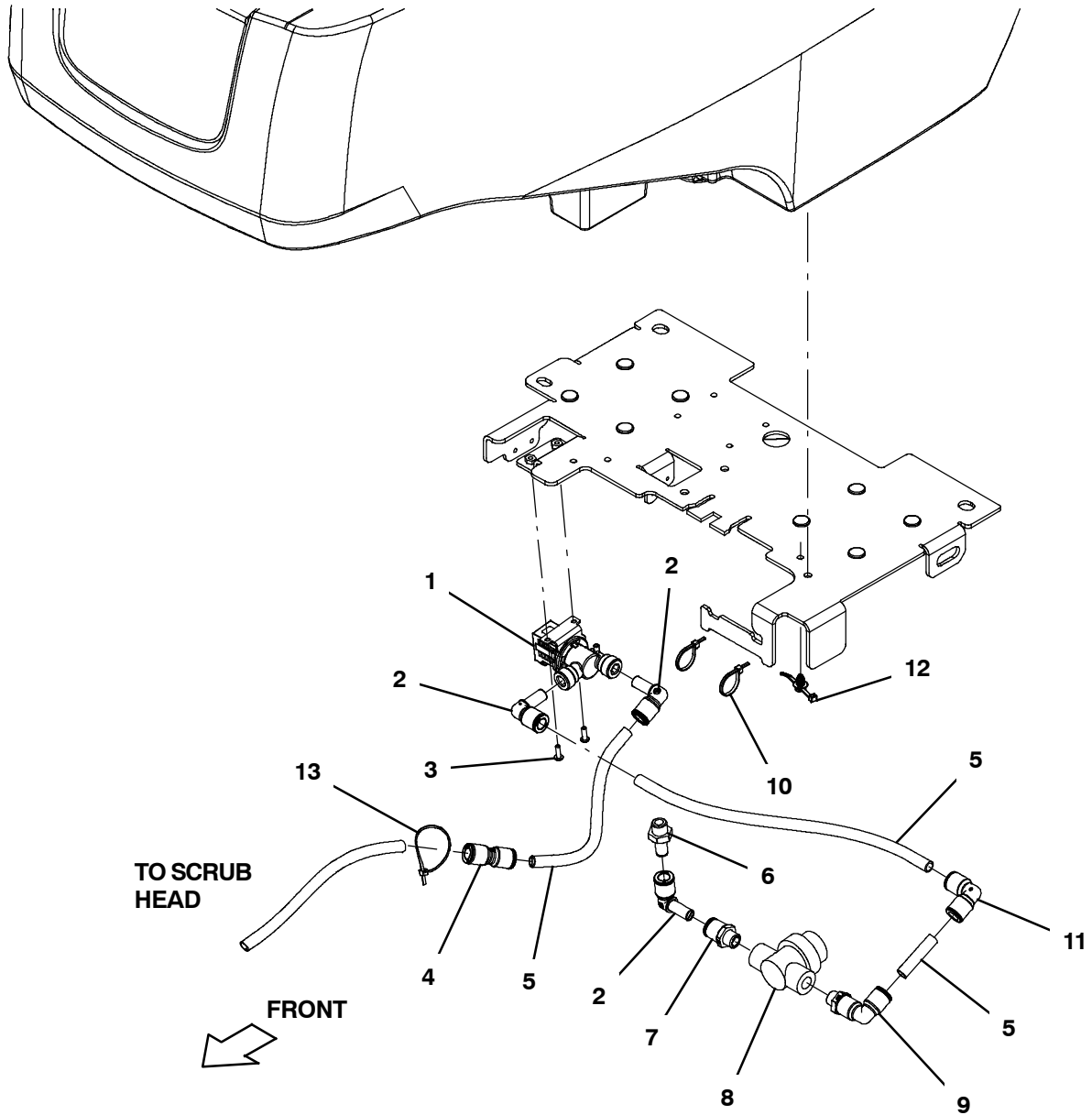
Ref.	Part No.	Serial Number	Description	Qty.
▽	9015303	(10000000- 11005985 )	Squeegee Kit, 800mm, Ci (Replaced By 9021743)	1
▲	1 1243538	(10996996- 11005985 )	Frame, Sqge, 80cm, Mach [T500/T600]	1
▲	1 1219894	(10000000- 10996995 )	Frame, Sqge, 80cm, Mach [T500] (Replaced By 1243538)	1
▲	2 59658	(10000000- 20000000 )	Screw, Hex, M8 X 1.25 X 35, NI, Ss	2
▲	3 222496	(10000000- 20000000 )	Sleeve, P/M, 0.32b 0.50d 0.9l [430ss]	2
▲	4 222066	(10000000- 20000000 )	Wheel, 03.0d 0.88w 0.50b	2
▲	5 07786	(10000000- 20000000 )	Nut, Hex, Std, M8 X 1.25, Ss	2
▲	6 1255358	(10000000- 20000000 )	Screw, Btn, M8 X 1.25 X 80, Ss	4
▲	7 1074204	(10000000- 20000000 )	Knob,Star,2.75d 4ear 1.1l M8x1.25,Thru,Y	4
▲	8 22290	(10000000- 20000000 )	Spring, Cmpr, 0.72od .06wir 02.3l	4
▲	9 32716	(10000000- 11005985 )	Nut, Hex, Jam, M10 X 1.5, Ss	2
▲	10 1034731	(10000000- 11005985 )	Screw, Hex, M6 X 1.00 X 16, Sems, Ss	8
▲	11 1222236	(10000000- 11005985 )	Bracket Wldt, Caster, Rh Sqge[T500]	1
▲	12 1006343	(10000000- 20000000 )	Caster, Swivel, 50mmd, M10 X 30, Clr PI	2
▲	13 1222001	(10000000- 11005985 )	Bracket Wldt, Caster, Lh Sqge [T500]	1
▲	14 12277	(10000000- 20000000 )	Screw, Hex, M6 X 1.00 X 20, NI, Ss	1
▲	15 01684	(10000000- 20000000 )	Washer, Flat, 0.27b 0.69d .05, Ss	1
▲	16 140060	(10000000- 20000000 )	Washer, Wave- Spring, .505 .750 .045	1
▲	17 140154	(10000000- 20000000 )	Sleeve, P/M, 0.25b 0.38d 0.3l, PI	1
▲	18 1222109	(10000000- 20000000 )	Knob, Sqge, 58l, M6 X 1.00, Plstc	1
▲	19 1209631	(10000000- 20000000 )	Cover, Trap, Water, Sqge	1
▲	20 1210756	(10000000- 20000000 )	Gasket, Trap, Water, Sqge	1
▲▽	21 9015740	(10000000- 20000000 )	Blade Kit, 800mm, Linatex/Linard (Standard)	1
▲▲	22 1221115	(10000000- 20000000 )	Blade, Sqge, Rear, 1306l, Linatex[800mm] (Standard)	1
▲▲	23 1232681	(10000000- 20000000 )	Blade, Sqge, Front, 1256l Linard[800mm] (Standard)	1
▲	24 1219405	(10000000- 20000000 )	Retainer, Sqge, 80cm [T500]	1
▲	25 1230738	(10000000- 11005985 )	Bracket, Sqge Bumper	2
▽	21 9015741	(10000000- 20000000 )	Blade Kit, 800mm, Urethane (Option)	1
▲	22 1228920	(10000000- 20000000 )	Blade, Sqge, Rear, 1306l,Urethane[800mm] (Option)	1
▲	23 1228922	(10000000- 20000000 )	Blade, Sqge, Front,1256l Urethane[800mm] (Option)	1
▽	21 9015739	(10000000- 20000000 )	Blade Kit, 800mm, Gum (Option)	1
▲	22 1228921	(10000000- 20000000 )	Blade, Sqge, Rear, 1306l, Gum[800mm] (Option)	1
▲	23 1228923	(10000000- 20000000 )	Blade, Sqge, Front, 1256l Gum[800mm] (Option)	1

▽ ASSEMBLY

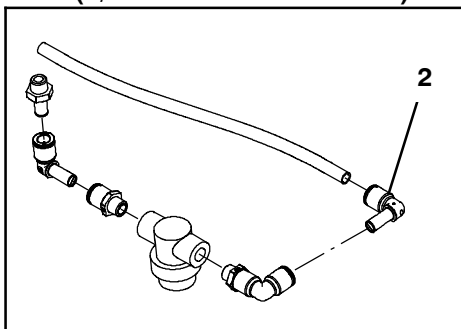
▲ INCLUDED IN ASSEMBLY

STANDARD SOLUTION GROUP

355468



(S/N 10000000 - 10865726)



STANDARD SOLUTION GROUP

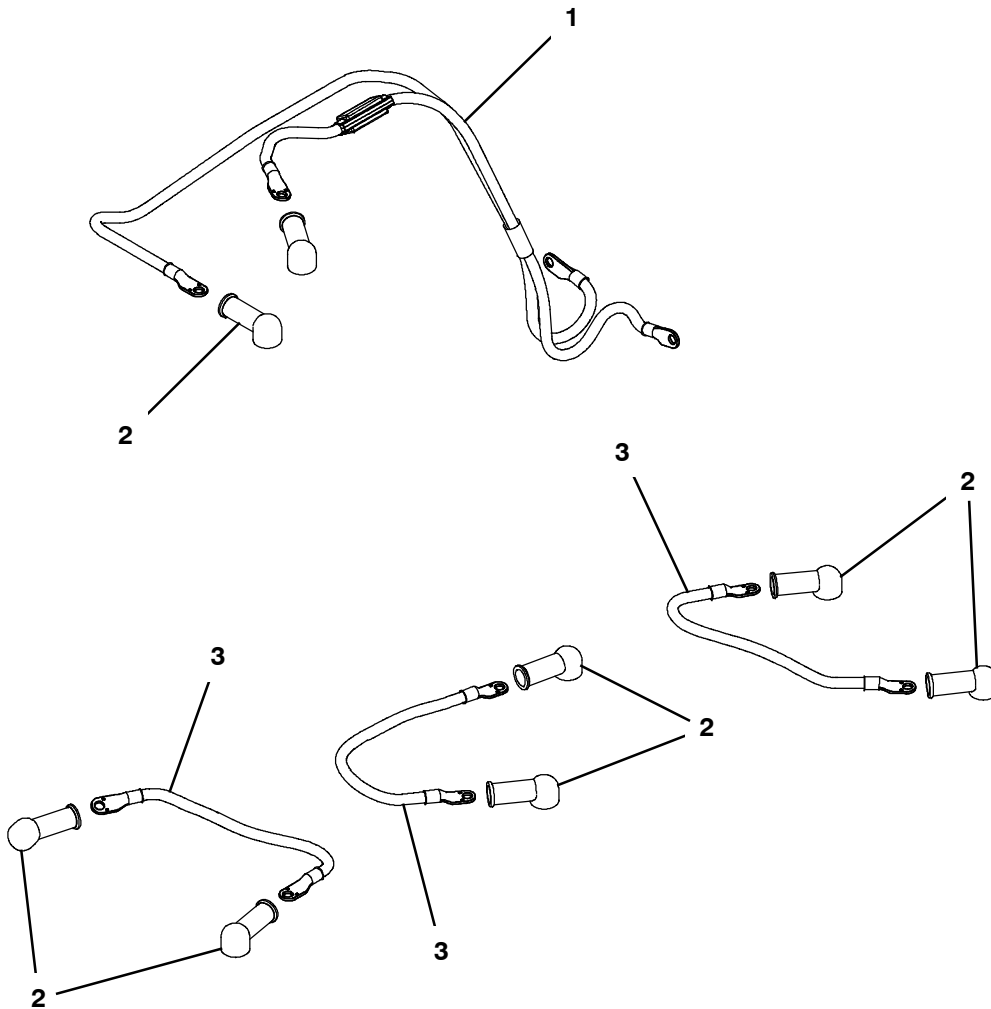
Ref.	Part No.	Serial Number	Description	Qty.
1	1211424	(10000000- 20000000 )	Valve, Water, Solenoid, 24vdc Qf08/Qf08	1
2	1212809	(10865727- 20000000 )	Fitting, Plstc, E90, Qf08/Qm08	3
2	1212809	(10000000- 10865726 )	Fitting, Plstc, E90, Qf08/Qm08	4
3	1205799	(10000000- 20000000 )	Screw, Btn, M5 X 0.8 X 16, 8.8, NI, Torx	2
4	1212859	(10000000- 20000000 )	Fitting, Plstc, Str, Qf08/Qf08	1
5	9014145	(10000000- 20000000 )	Hose, Afmkt, Pe, .375id .50od, 05ft	1
6	1227552	(10000000- 20000000 )	Fitting, Plstc, Str, Qm08/Pm06	1
7	1212813	(10000000- 20000000 )	Fitting, Plstc, Str, Qf08/Pm06	1
▽	8	1211537	(10000000- 20000000 ) Filter, In- Line, Pf06/Pf06 080m 2.6l Epd	1
▲		1218885	(10000000- 20000000 ) Gasket [Epdm, F/1211537]	1
▲		1218883	(10000000- 20000000 ) Screen, Fltr, 80 Mesh, Ss [W/ Cage]	1
▲		613991	(10000000- 20000000 ) Bowl, Clr, Short, F/1005302	1
	9	1212987	(10000000- 20000000 ) Fitting, Plstc, E90, Qf08/Pm06, Swivel	1
	10	130773	(10000000- 20000000 ) Tie, Cable, Nyl, 11.0l, .14w, 3.0 Max. D	2
	11	1221945	(10865727- 20000000 ) Fitting, Plstc, E90, Qf08/Qf08	1
	12	1210807	(10865727- 20000000 ) Wire, Tie [W/.25" Fir Tree Clip]	1
	13	130773	(10000000- 20000000 ) Tie, Cable, Nyl, 11.0l, .14w, 3.0 Max. D	1

▽ ASSEMBLY

▲ INCLUDED IN ASSEMBLY

**BATTERY CABLES GROUP, WET AND AGM BATTERY**

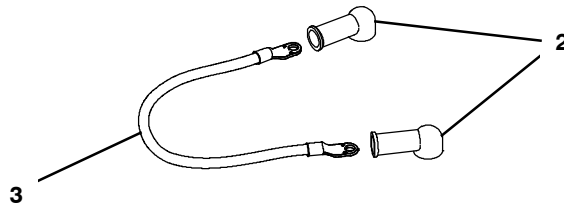
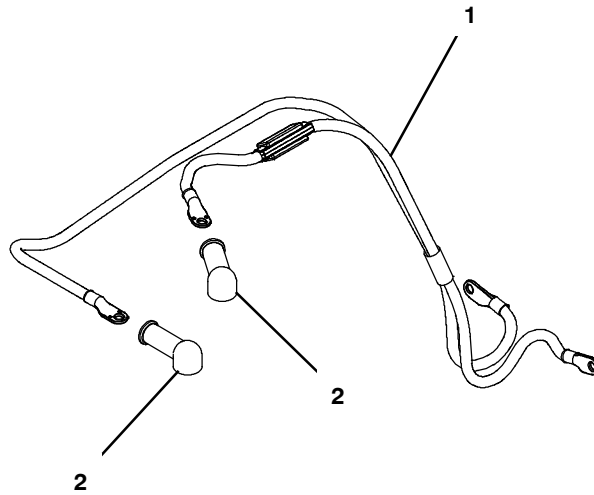
355463



Ref.	Part No.	Serial Number	Description	Qty.
1	1074942	(10000000- 20000000 )	Cable, Assy [T500,T500e]	1
2	611221	(10000000- 20000000 )	Boot, Terminal, Battery, 25.4mm, Blk	8
3	1073680	(10000000- 20000000 )	Cable, 04ga 15.0l Blk [M8 Ring/M8 Ring]	3

BATTERY CABLES GROUP, TPPL BATTERY

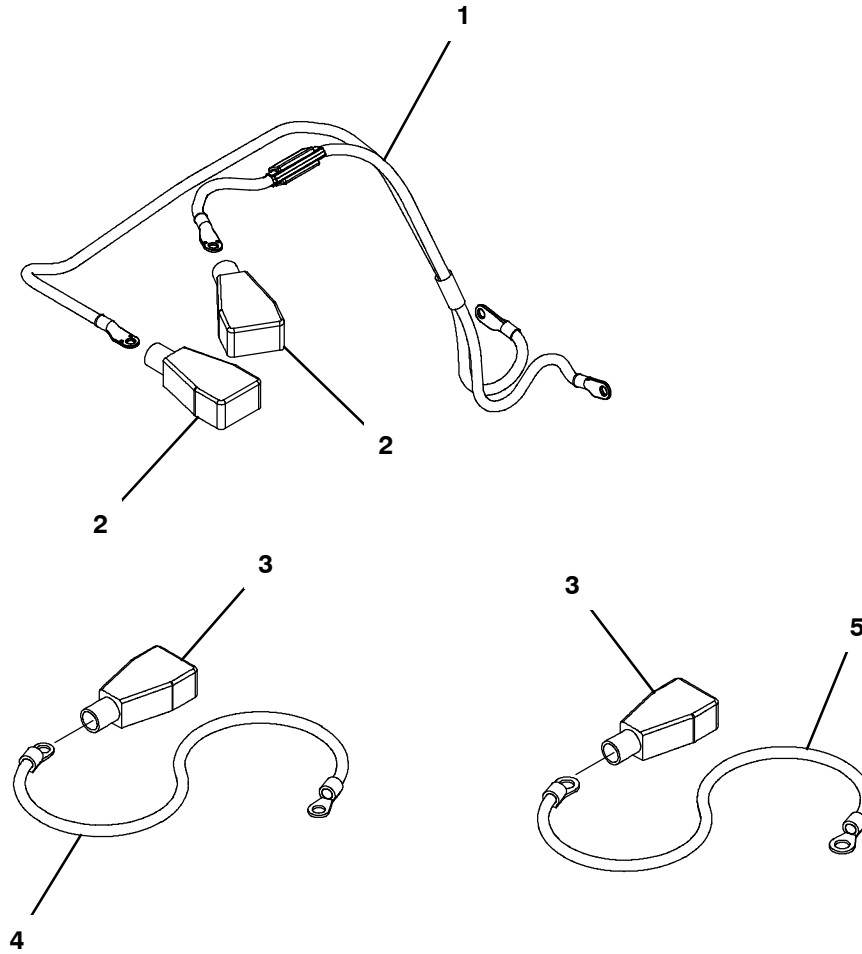
355810



Ref.	Part No.	Serial Number	Description	Qty.
1	1076930	(10000000-20000000 )	Cable, Assy .31ring/.25ring [T500, T500e]	1
2	611221	(10000000-20000000 )	Boot, Terminal, Battery, 25.4mm, Blk	4
3	1076929	(10000000-20000000 )	Cable, 04ga 15.0l Blk, .25ring/.25ring	1

BATTERY CABLES GROUP, LITHIUM-ION BATTERY

355965

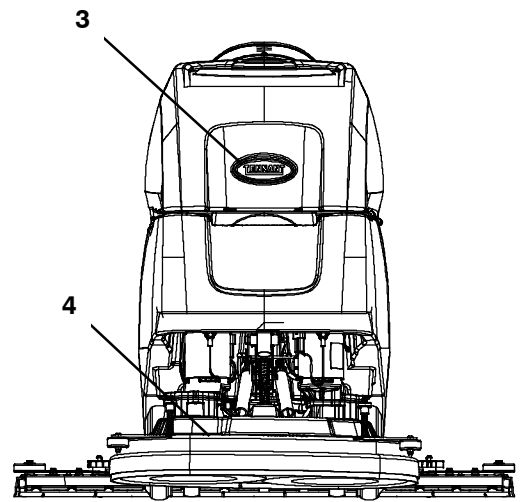
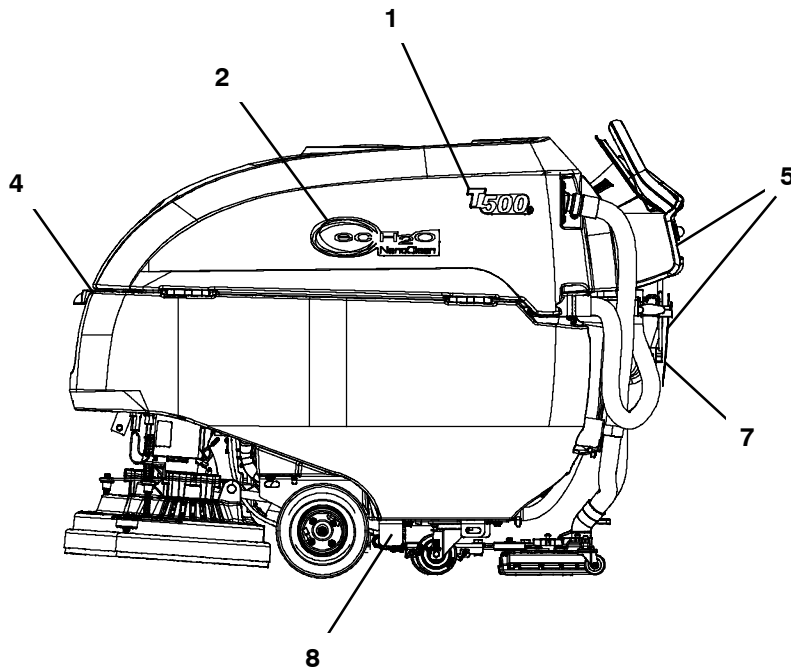


Ref.	Part No.	Serial Number	Description	Qty.
1	1266969	(10000000- 20000000 )	Cable, Assy, [T500, T500e]	1
2	68872	(10000000- 20000000 )	Boot, Terminal, Battery, 02- 01ga, Blk	2
3	68872	(10000000- 20000000 )	Boot, Terminal, Battery, 02- 01ga, Blk (2 Battery System Only)	2
4	1077083	(10000000- 20000000 )	Cable, 04ga 18.0l Red .41ring /.41ring (2 Battery System Only)	1
5	223364	(10000000- 20000000 )	Cable, 04ga 18.0l Blk .34ring /.34ring (2 Battery System Only)	1

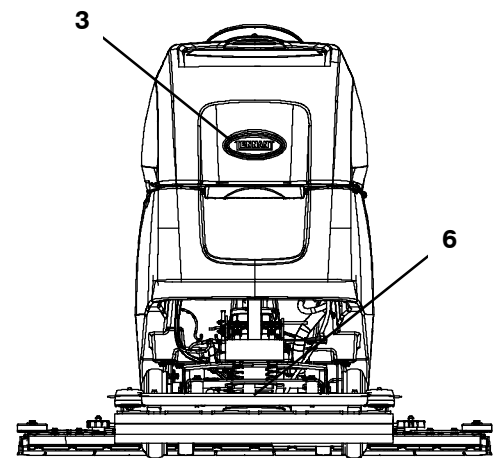
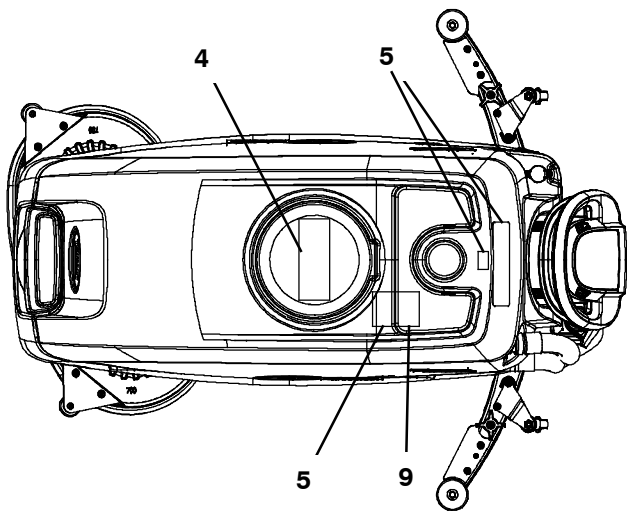


LABEL GROUP

355967



DISK & CYLINDRICAL HEAD



ORBITAL HEAD

Ref.	Part No.	Serial Number	Description	Qty.
1	1224984	(10000000- 20000000 )	Label, T500e	2
2	1216520	(10000000- 20000000 )	Label, Logo [Ech2o Nano]	2
3	1213114	(10000000- 20000000 )	Label, Logo, 05.5l, Blk/Sil [Tennant]	1
4	1220962	(10000000- 20000000 )	Label Sheet, Info/Hzrd [T500, Na]	1
5	1220965	(10000000- 20000000 )	Label Sheet, Operational [T500]	1
6	1224995	(10000000- 20000000 )	Label, Orbital, Size, 70cm	1
7	1225763	(10000000- 20000000 )	Label, Decal, Charger, Off- Board	1
8	1231798	(10865727- 20000000 )	Label, Info, Filter	1
9	1266965	(10000000- 20000000 )	Label, Hzrd, Battery [T500/E/Ss500, Li] (Lithium- Ion Batteries)	1

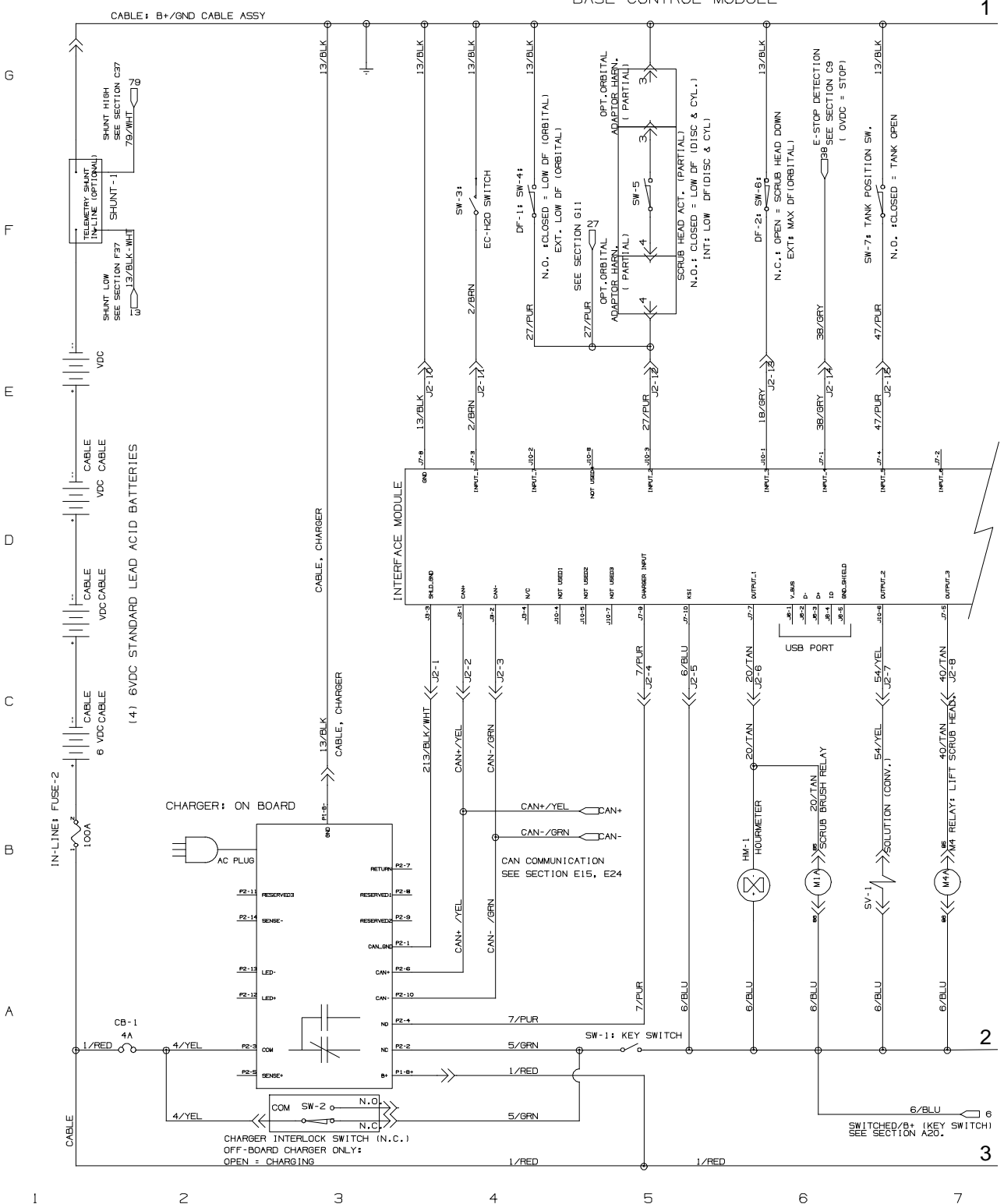
ELECTRICAL DIAGRAM (PAGE 1 OF 8)  
(S/N 10995399 - )

1075167\_02

T500e WITH STANDARD LEAD ACID BATTERIES

BATTERY / CHARGER SYSTEMS

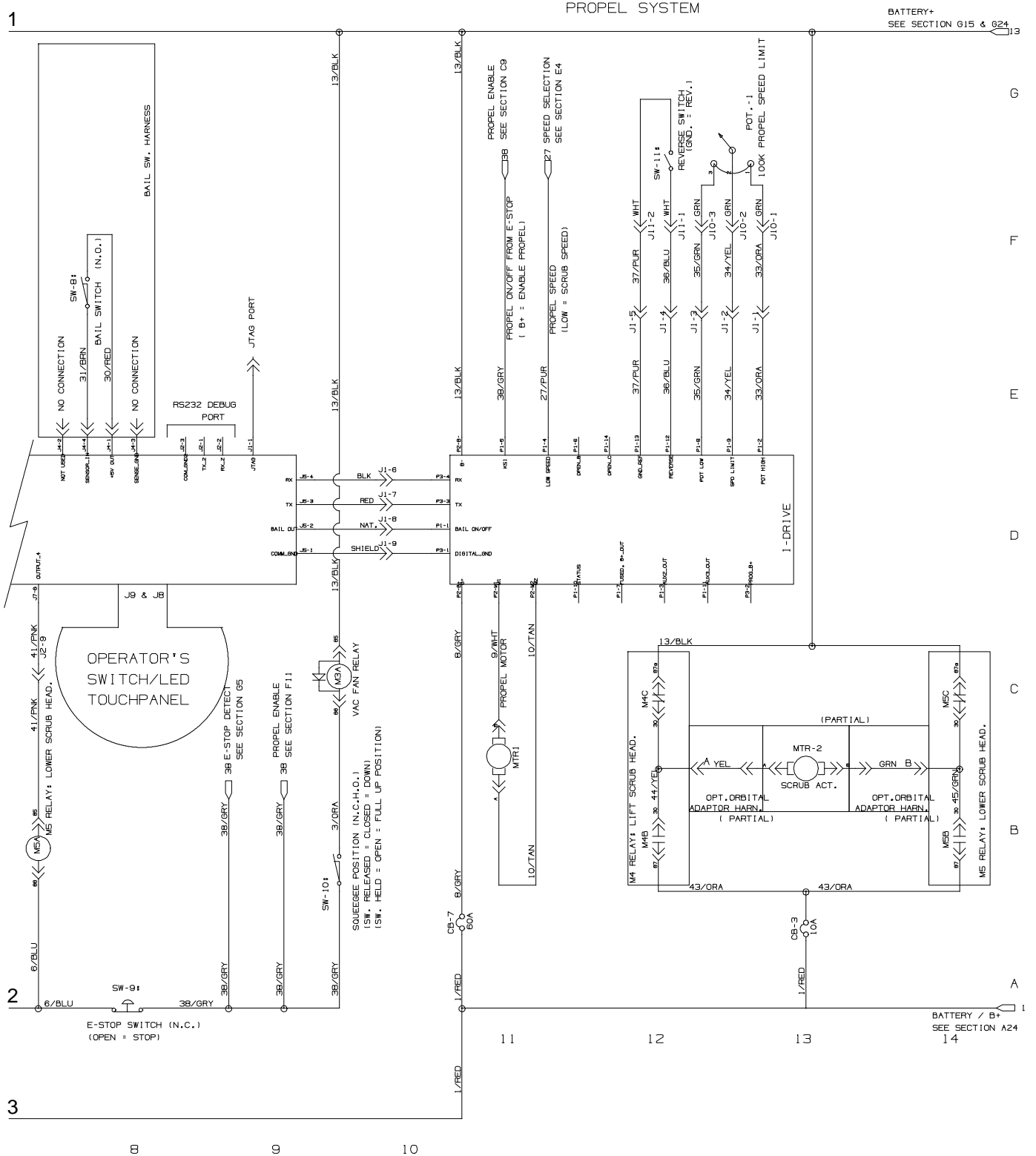
BASE CONTROL MODULE



ELECTRICAL DIAGRAM (PAGE 2 OF 8)  
(S/N 10995399 - )

1075167\_02

T500e WITH STANDARD LEAD ACID BATTERIES



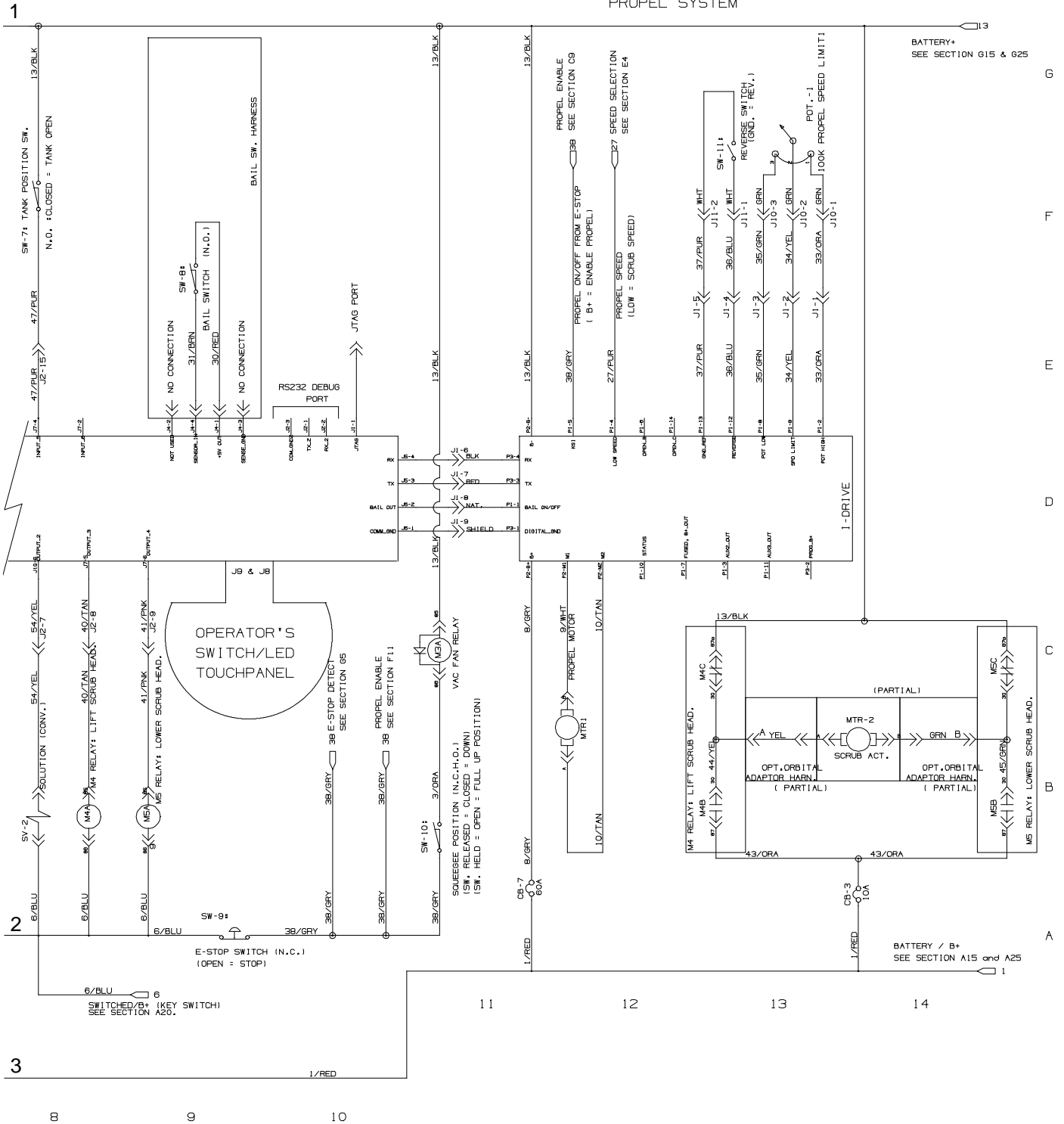


ELECTRICAL DIAGRAM (PAGE 4 OF 8)  
(S/N 10995399 - )

1075014\_02

T500e WITH LITHIUM ION BATTERIES

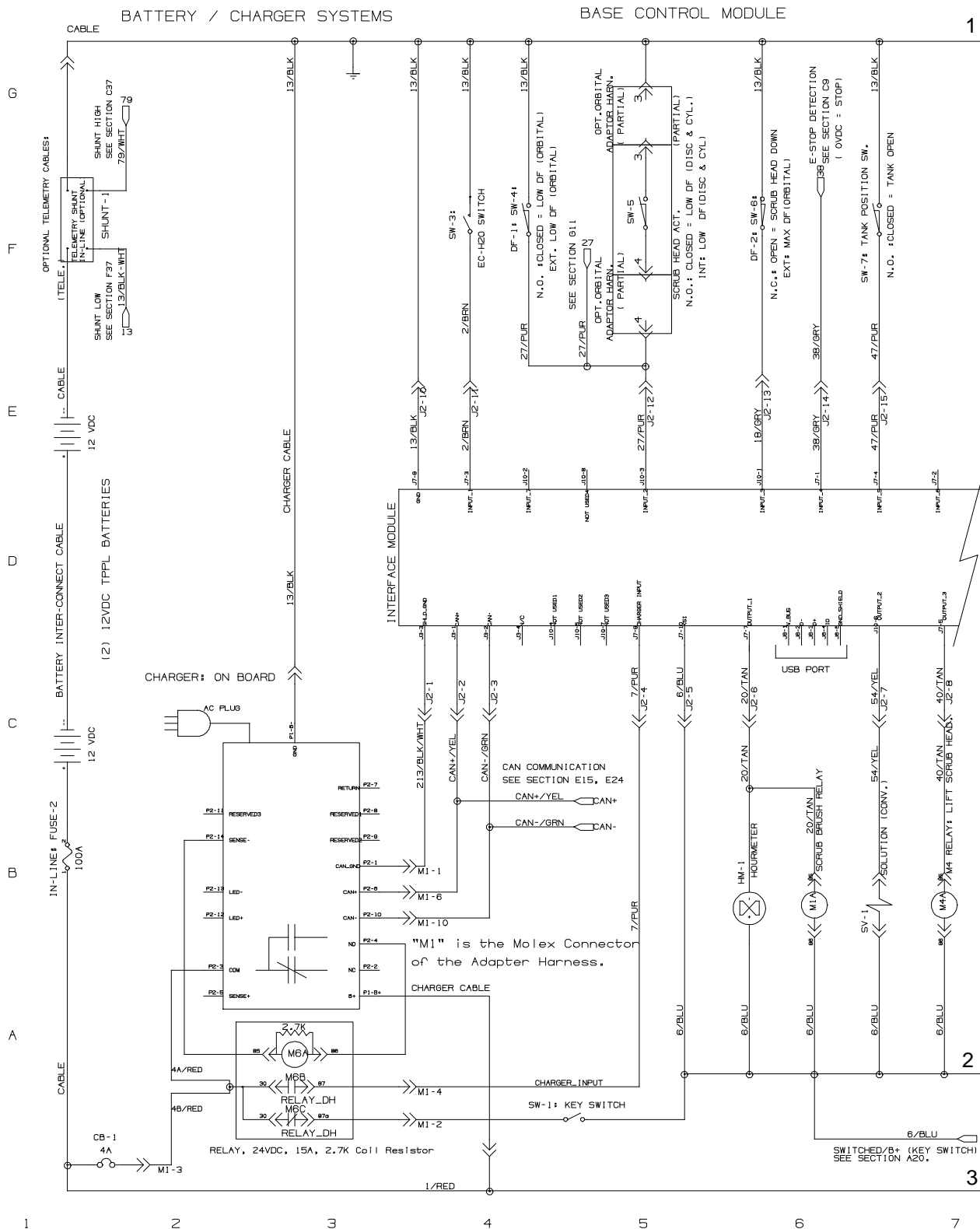
PROPEL SYSTEM



**ELECTRICAL DIAGRAM (PAGE 5 OF 8)**  
**(S/N 10995399 - )**

1075167\_02

T500e WITH TPPL BATTERIES



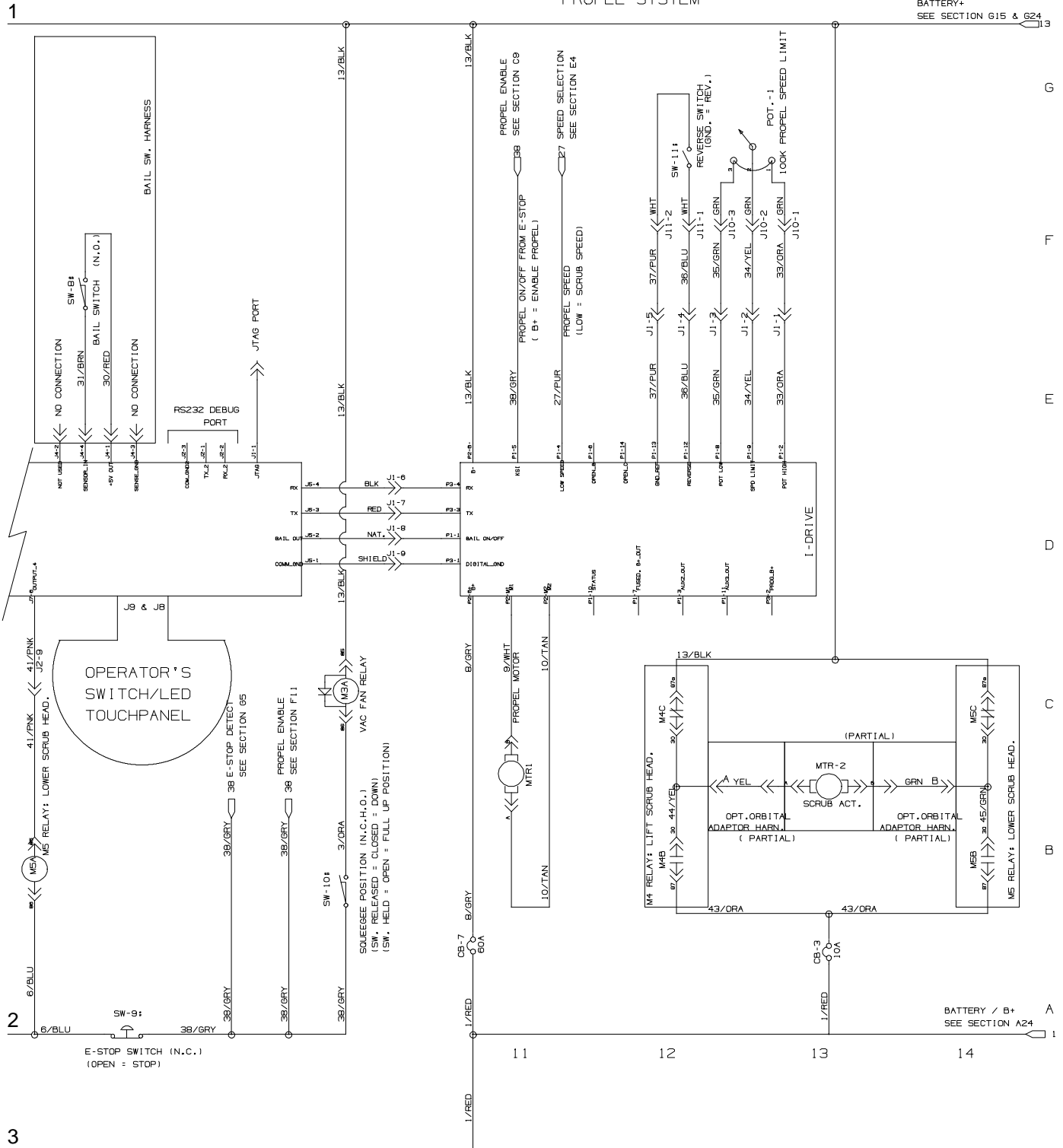
ELECTRICAL DIAGRAM (PAGE 6 OF 8)  
(S/N 10995399 - )

1075167\_02

T500e WITH TPPL BATTERIES

PROPEL SYSTEM

BATTERY+  
SEE SECTION G15 & G24

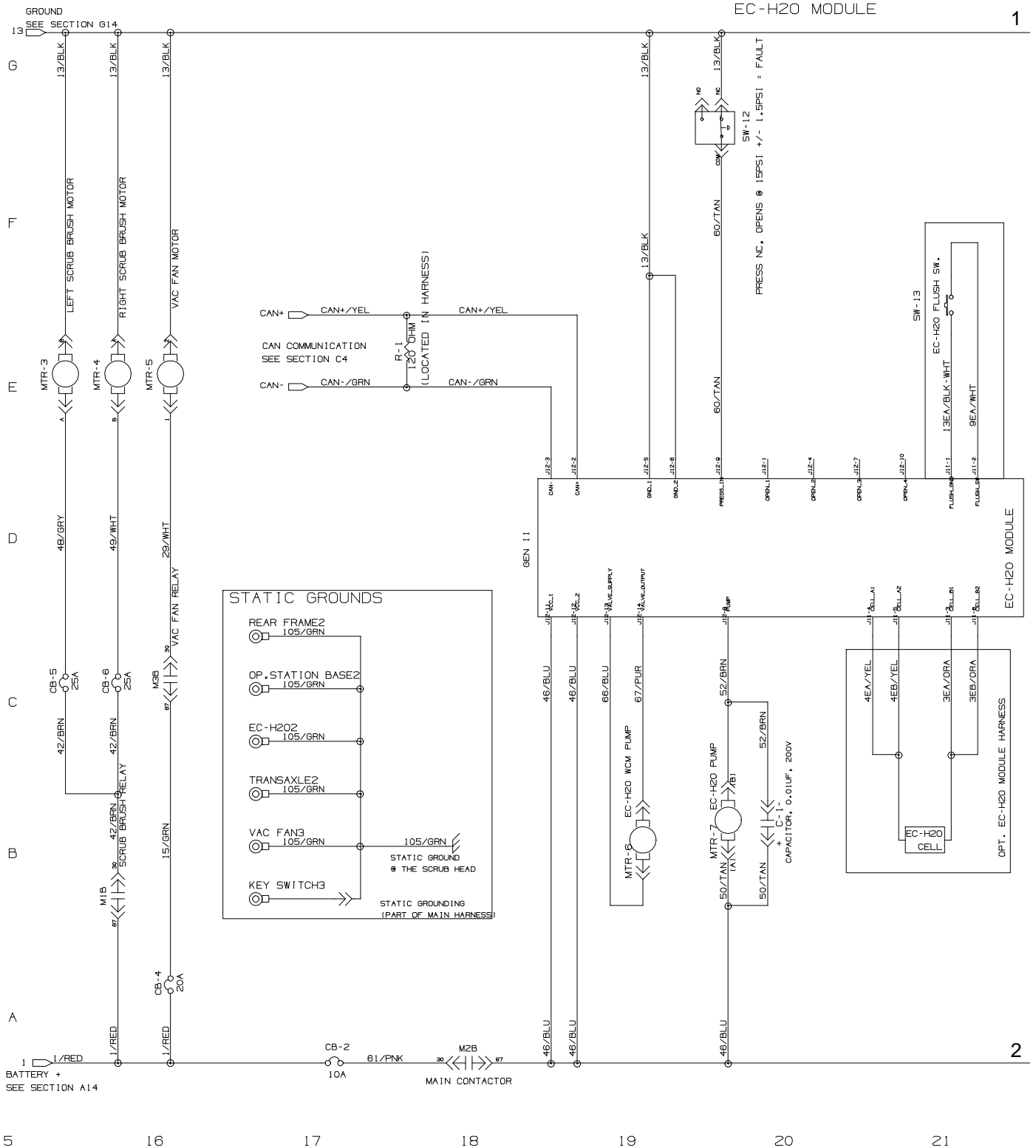


8 9 10

ELECTRICAL DIAGRAM (PAGE 7 OF 8)  
(S/N 10995399 - )

1075167\_02

T500e, COMMON

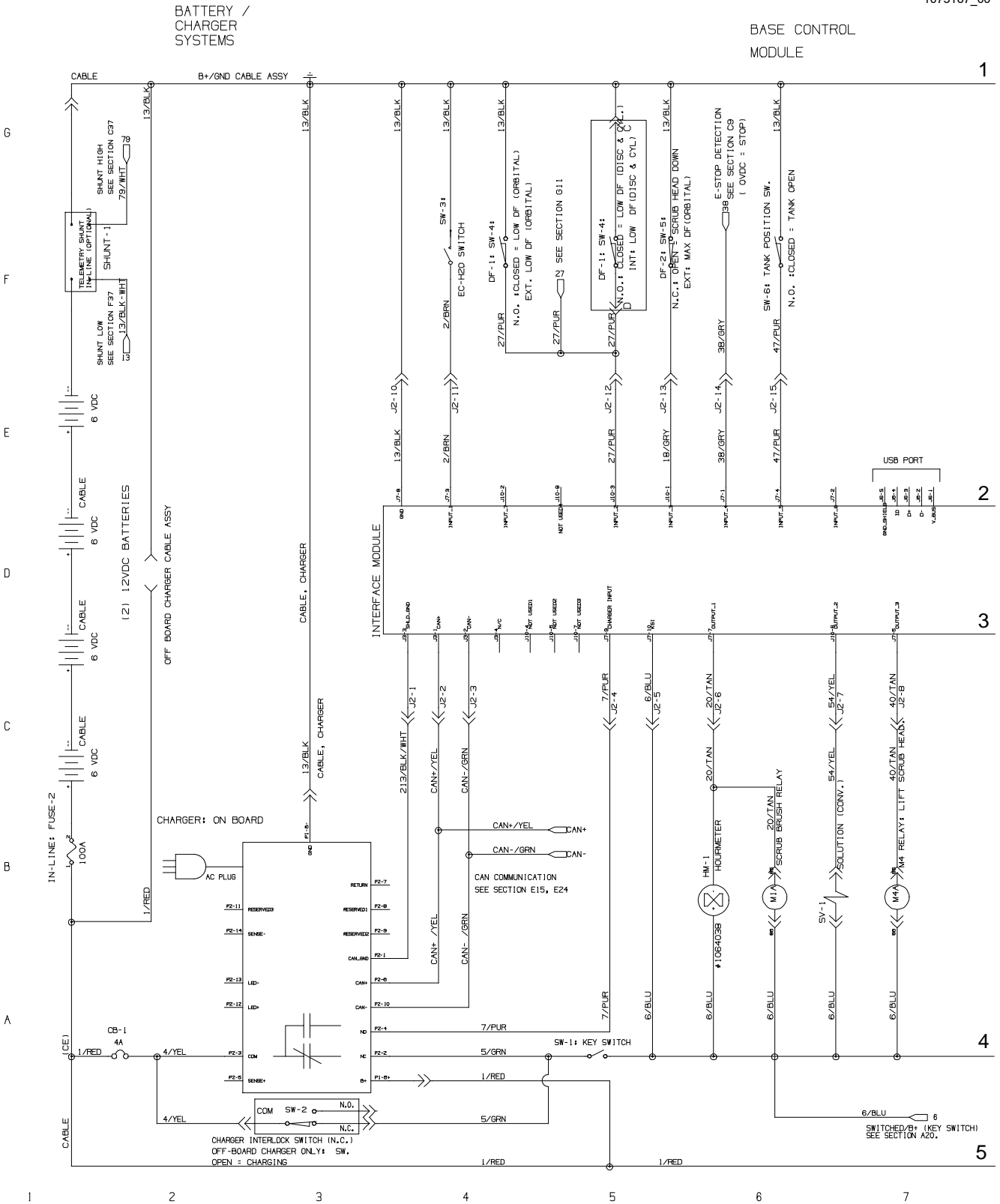






ELECTRICAL DIAGRAM (PAGE 1 OF 4)  
(S/N 1000000 - 10995388)

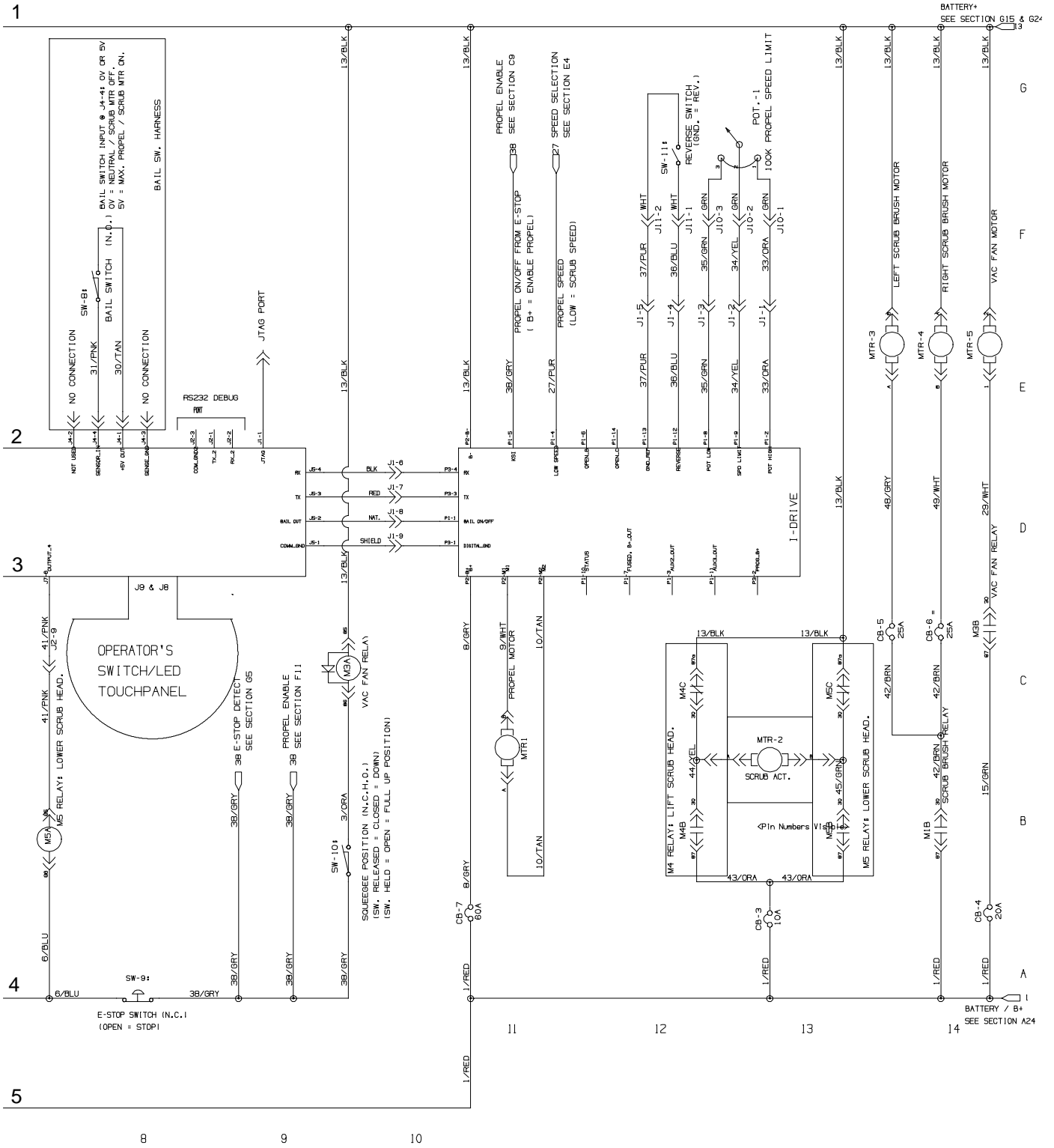
1075167\_00



ELECTRICAL DIAGRAM (PAGE 2 OF 4)  
(S/N 1000000 - 10995388)

1075167\_00

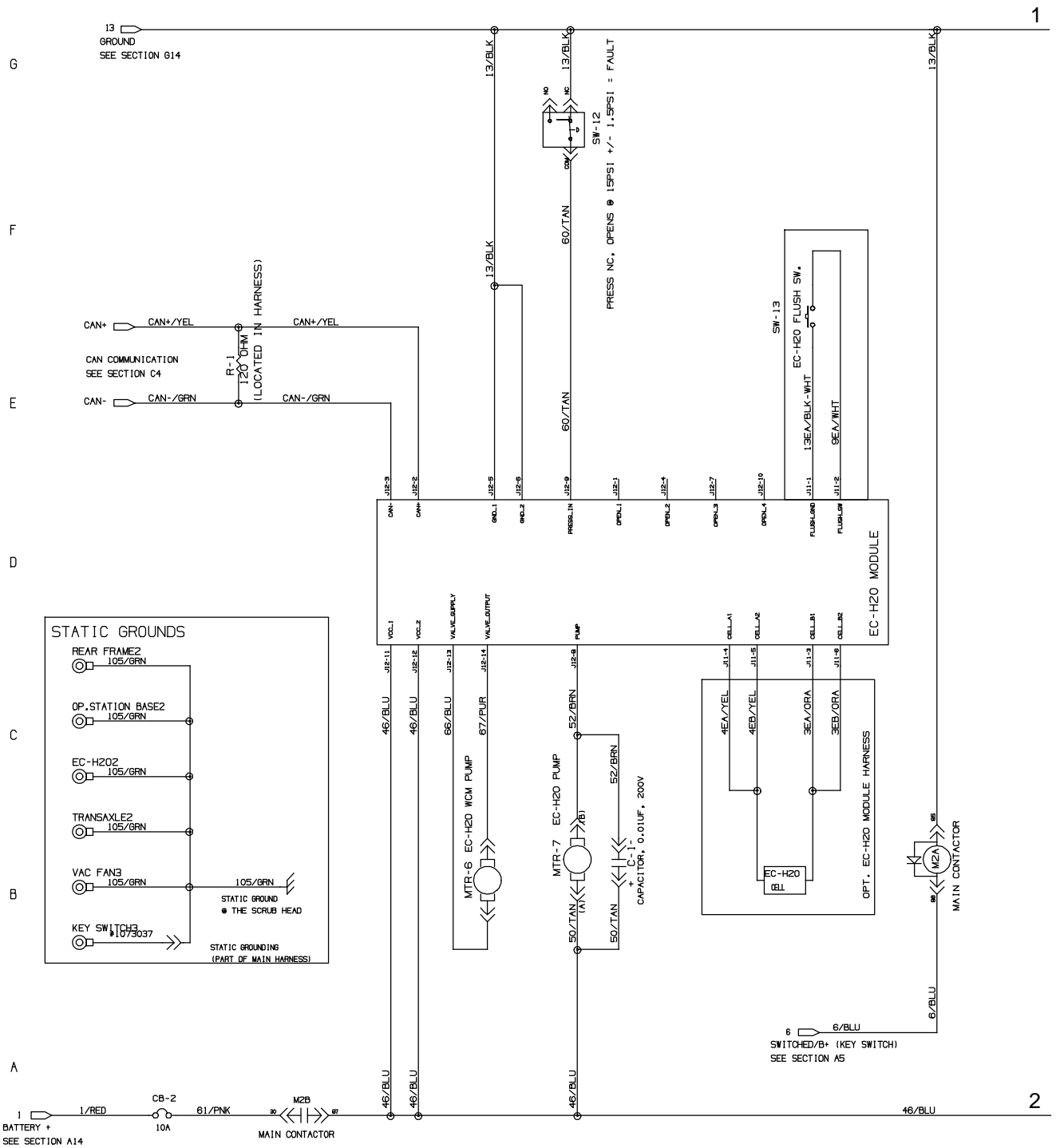
PROPEL SYSTEM



ELECTRICAL DIAGRAM (PAGE 3 OF 4)  
(S/N 1000000 - 10995388)

1075167\_00

EC-H2O MODULE



15

16

17

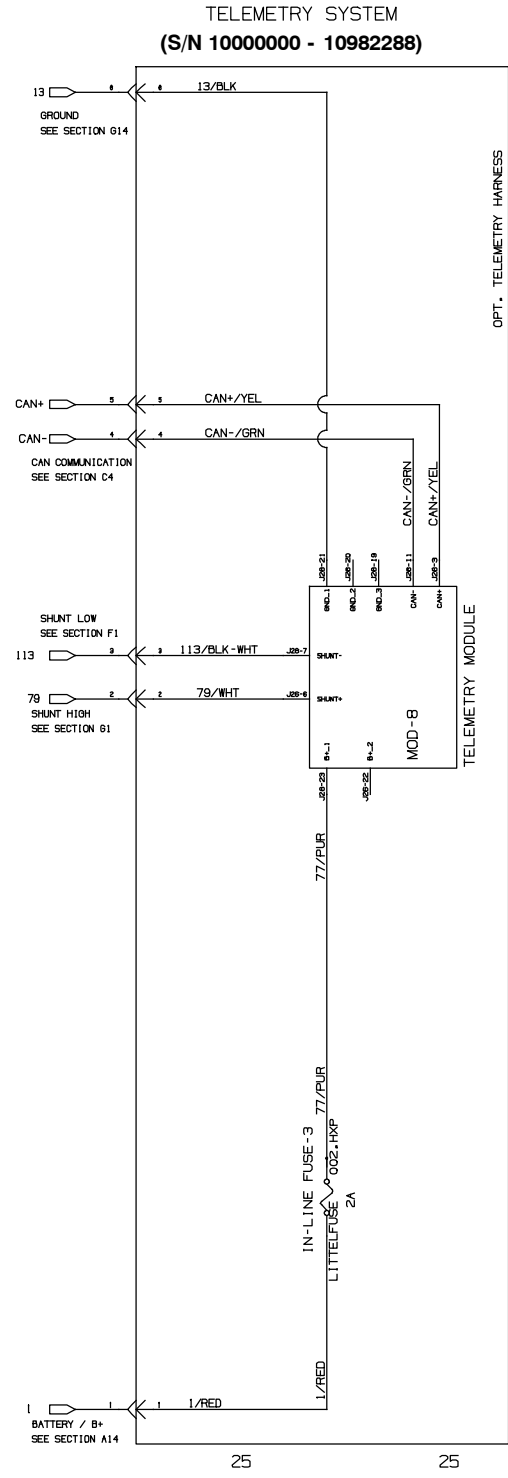
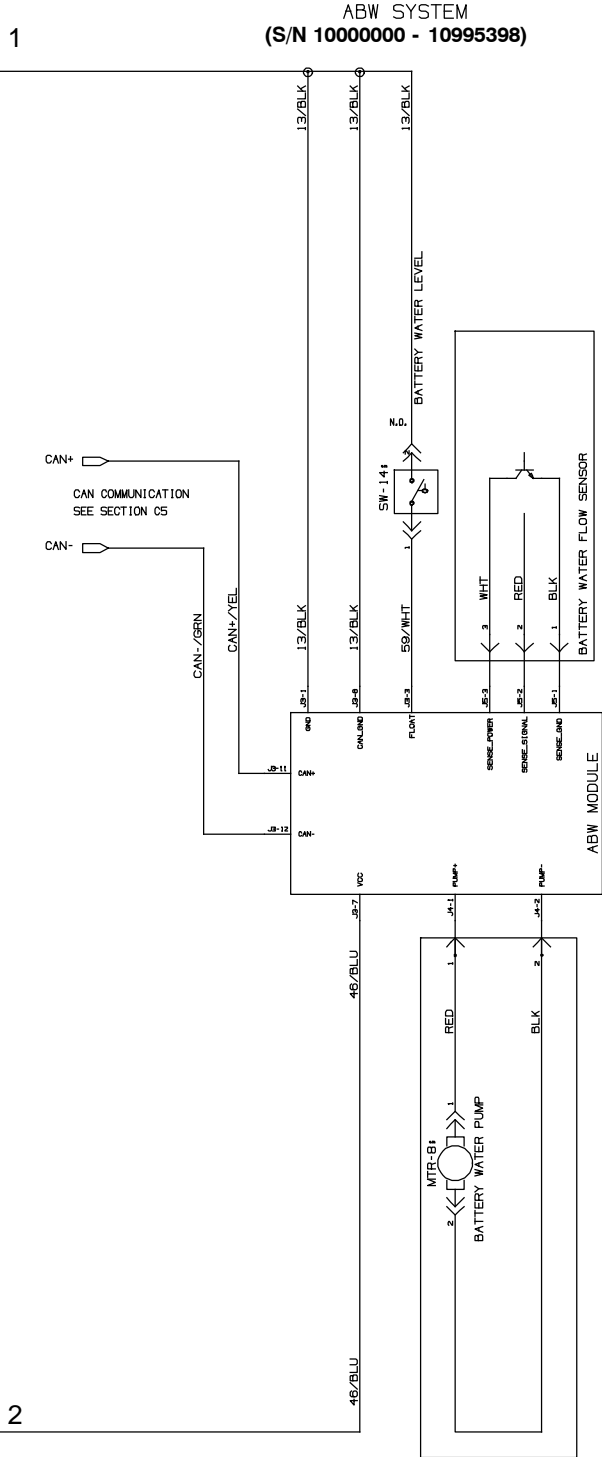
18

19

20

ELECTRICAL DIAGRAM (PAGE 4 OF 4)  
(S/N 1000000 - 10995388)

1075167\_00



21

22

23

24

G

F

E

D

C

B

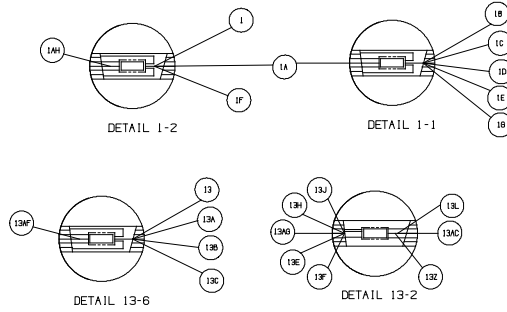
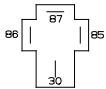
A

ELECTRICAL HARNESS, MAIN (PAGE 1 OF 6)  
(S/N 10995399 - )

1076839\_00

TO: M2: MAIN RELAY		TO: M3: VAC FAN RELAY	
WIRE NO.	REF. RELAY	WIRE NO.	REF. RELAY
61/PNK	30	29/WHT	30
13H/BLK	85	13J/BLK	85
46/BLU	B7	15/GRN	87
6H/BLU	86	3/ORA	86

BACK VIEW OF "AP".  
WHERE WIRES ENTER.



WIRE NO.	REF. RELAY
44/YEL	30
40/TAN	85
13E/BLK	B7A
43A/ORA	B7
6E/BLU	B6

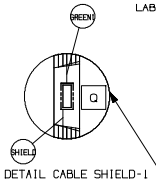
  

WIRE NO.	REF. RELAY
45/GRN	30
41/PNK	85
13F/BLK	B7A
43B/ORA	B7
8F/BLU	B6

TO: M4: SCRUB HEAD ACT. LABEL(1): M4: SCRUB HEAD ACT.

TO: M5: SCRUB HEAD ACT. LABEL(1): M5: SCRUB HEAD ACT.

CONNECT THESE TWO RELAY CONNECTOR BODIES TOGETHER.

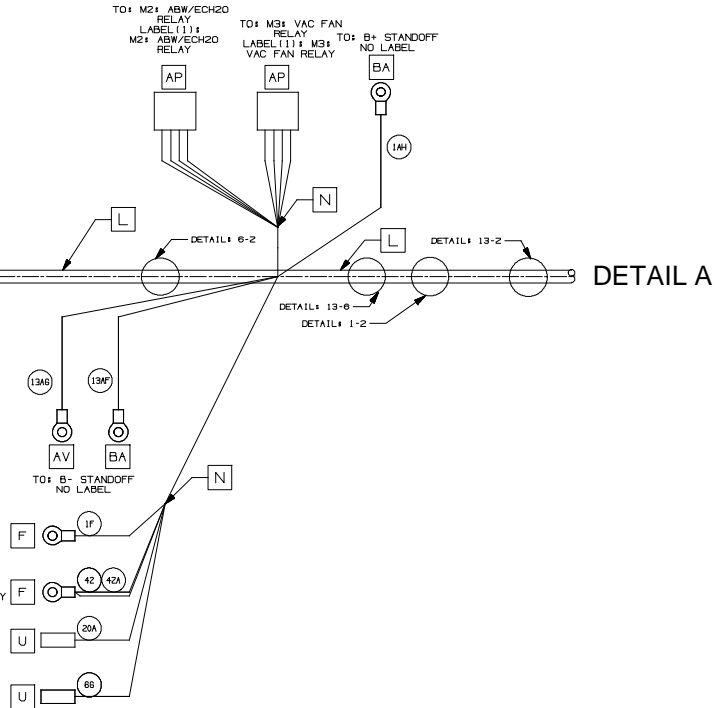


BACK VIEW OF "E".  
WHERE WIRES ENTER.

DETAIL CABLE SHIELD-1

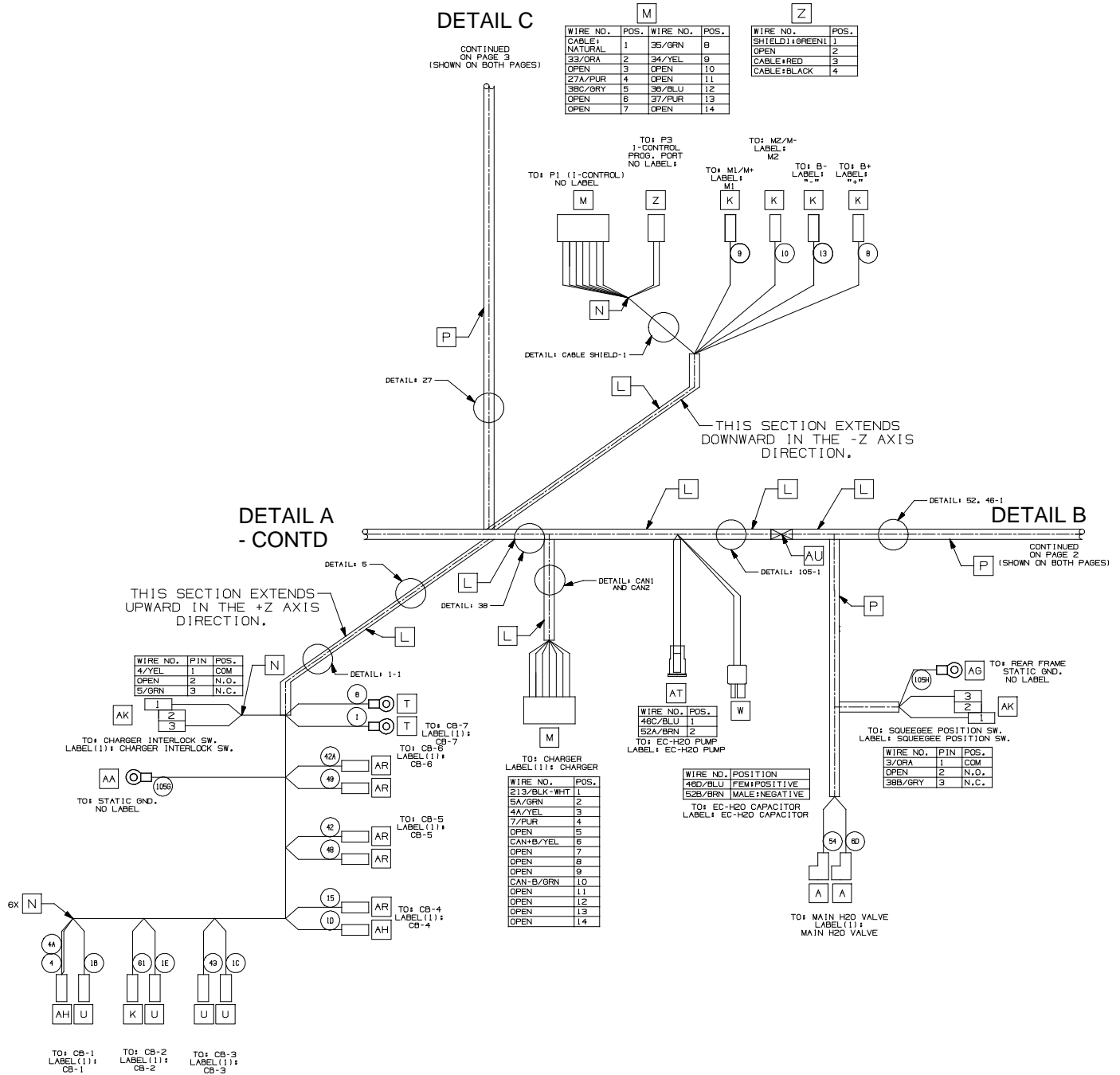
- NOTE:
- REMOVE CABLE COVERING ABOVE THIS POINT.
  - SPLICE SHIELD TO THE SHIELD/GREEN WIRE.
  - ROUTE THE (4) WIRES UP TO THE SPECIFIED CONNECTORS.
  - COVER THE EXPOSED END OF THE CABLE COVER WITH DEFINED HEATSHRINK.

TO: M1: SCRUB RELAY LABEL(1): M1: SCRUB RELAY



ELECTRICAL HARNESS, MAIN (PAGE 2 OF 6)  
(S/N 10995399 - )

1076839\_00



ELECTRICAL HARNESS, MAIN (PAGE 3 OF 6)  
(S/N 10995399 - )

1076839\_00

TO: LEFT SCRUB MOTOR#2  
LABEL(1): LEFT SCRUB  
MOTOR#2  
ALL SCRUB HEADS

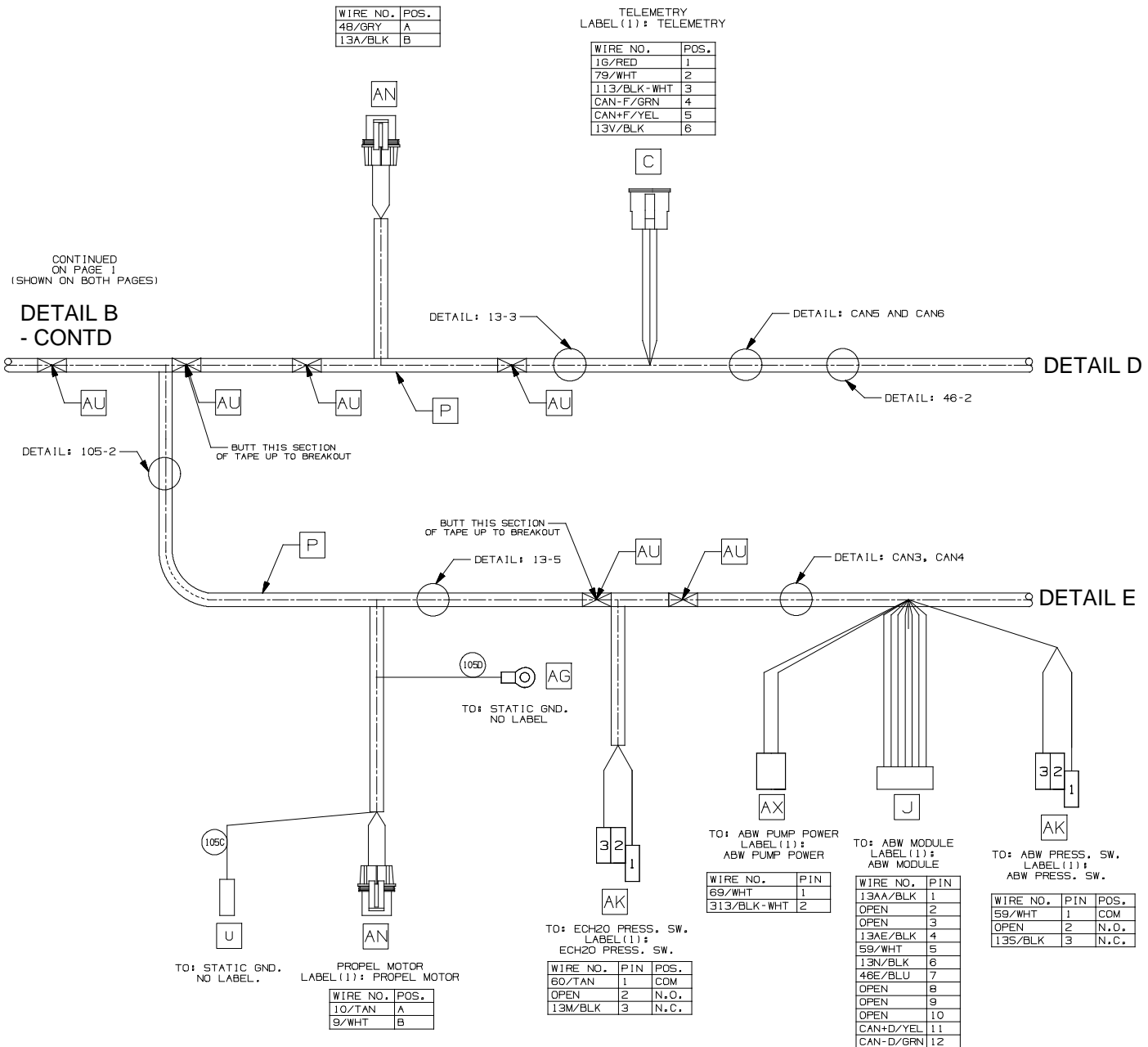
WIRE NO.	POS.
48/GRY	A
13A/BLK	B

TELEMETRY  
LABEL(1): TELEMETRY

WIRE NO.	POS.
1G/RED	1
79/WHT	2
113/BLK-WHT	3
CAN-F/GRN	4
CAN+F/YEL	5
13V/BLK	6

CONTINUED  
ON PAGE 1  
(SHOWN ON BOTH PAGES)

DETAIL B  
- CONTD



TO: STATIC GND.  
NO LABEL.

PROPEL MOTOR  
LABEL(1): PROPEL MOTOR

WIRE NO.	POS.
10/TAN	A
9/WHT	B

TO: STATIC GND.  
NO LABEL

TO: ECH20 PRESS. SW.  
LABEL(1):  
ECH20 PRESS. SW.

WIRE NO.	PIN	POS.
60/TAN	1	COM
OPEN	2	N.O.
13M/BLK	3	N.C.

TO: ABW PUMP POWER  
LABEL(1):  
ABW PUMP POWER

WIRE NO.	PIN
69/WHT	1
313/BLK-WHT	2

TO: ABW MODULE  
LABEL(1):  
ABW MODULE

WIRE NO.	PIN
13AA/BLK	1
OPEN	2
OPEN	3
13AE/BLK	4
59/WHT	5
13N/BLK	6
46E/BLU	7
OPEN	8
OPEN	9
OPEN	10
CAN+D/YEL	11
CAN-D/GRN	12

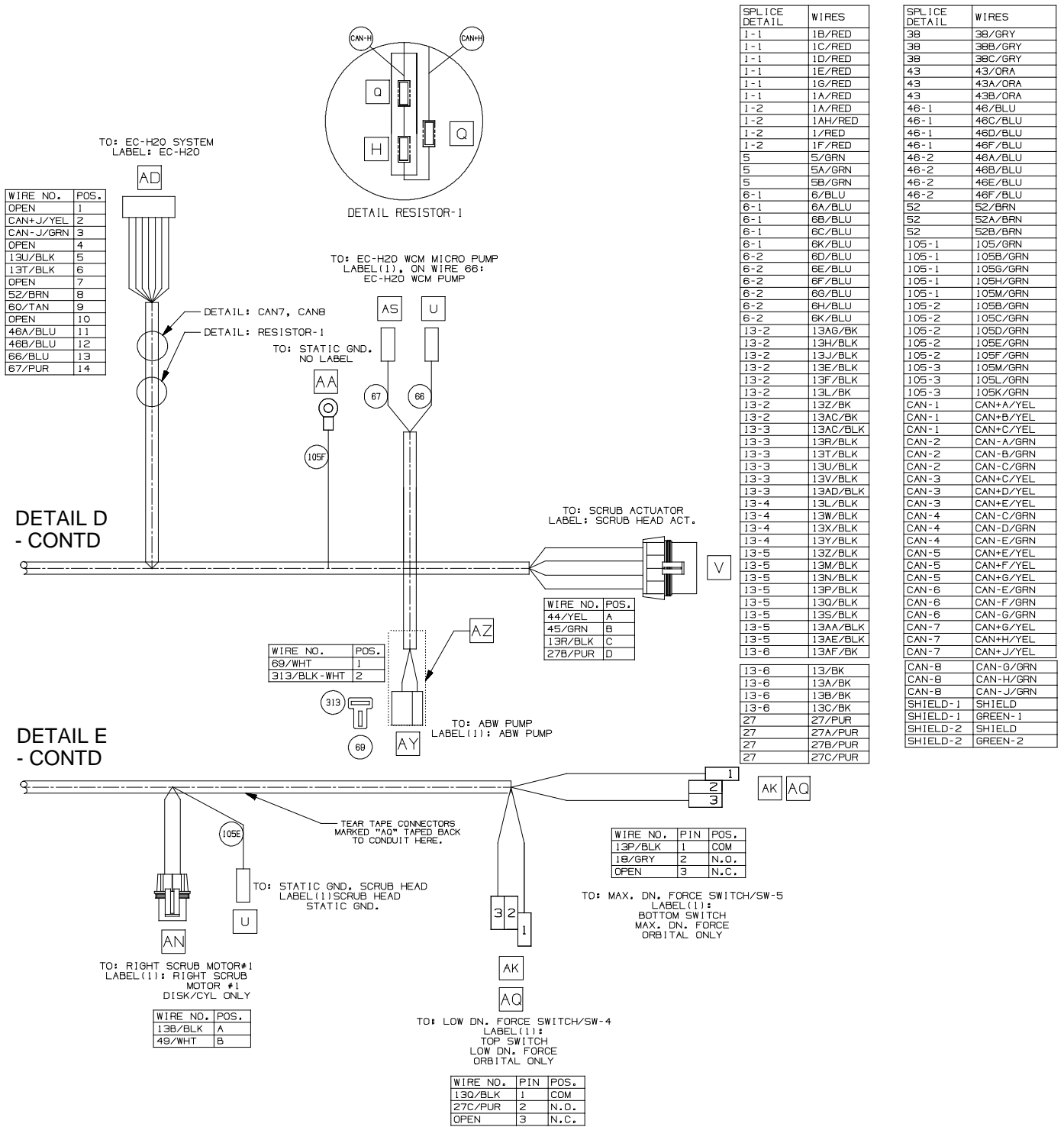
TO: ABW PRESS. SW.  
LABEL(1):  
ABW PRESS. SW.

WIRE NO.	PIN	POS.
59/WHT	1	COM
OPEN	2	N.O.
13S/BLK	3	N.C.



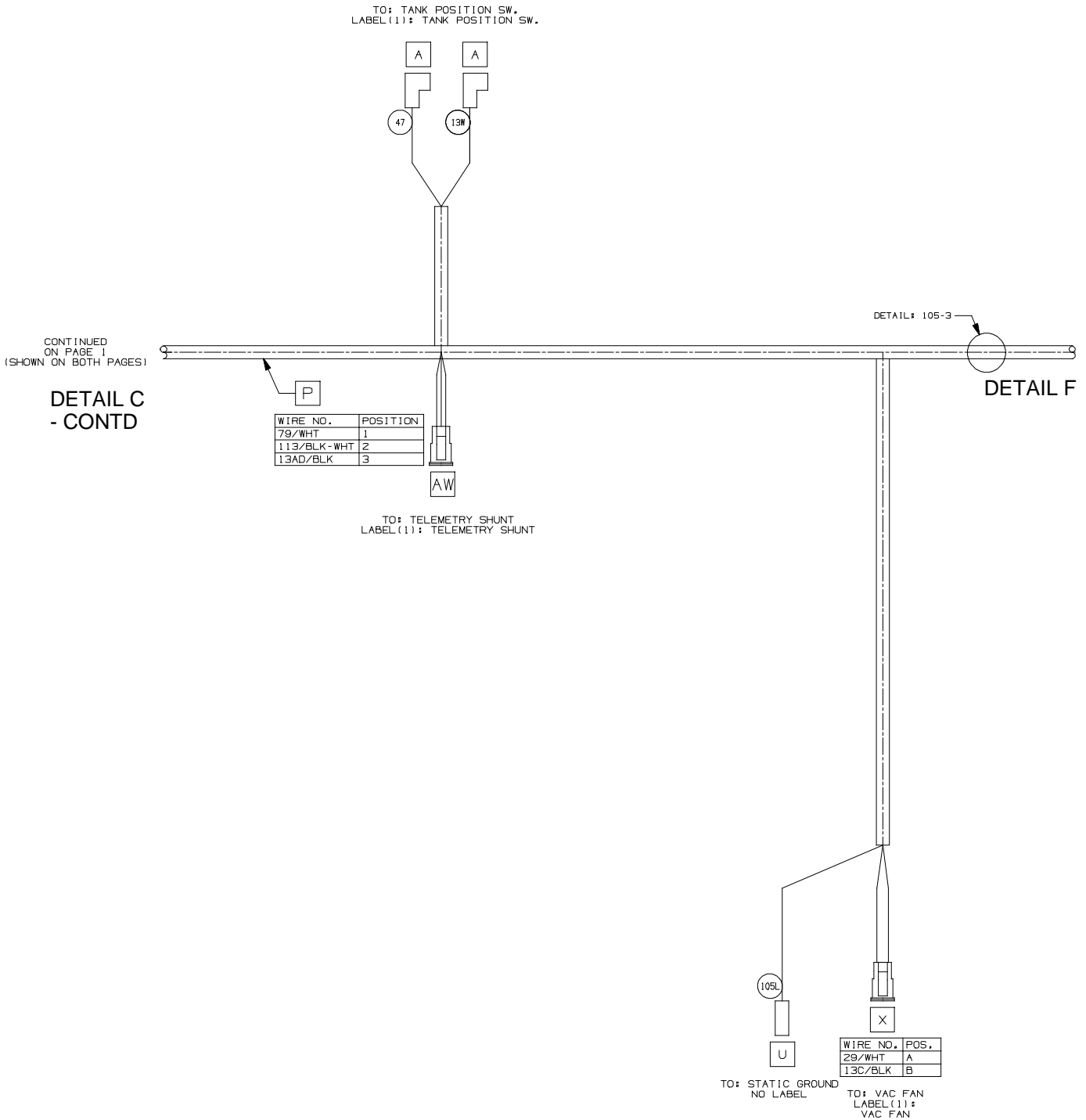
ELECTRICAL HARNESS, MAIN (PAGE 4 OF 6)  
(S/N 10995399 - )

1076839\_00



ELECTRICAL HARNESS, MAIN (PAGE 5 OF 6)  
(S/N 10995399 - )

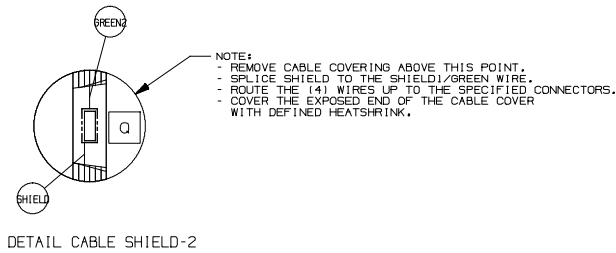
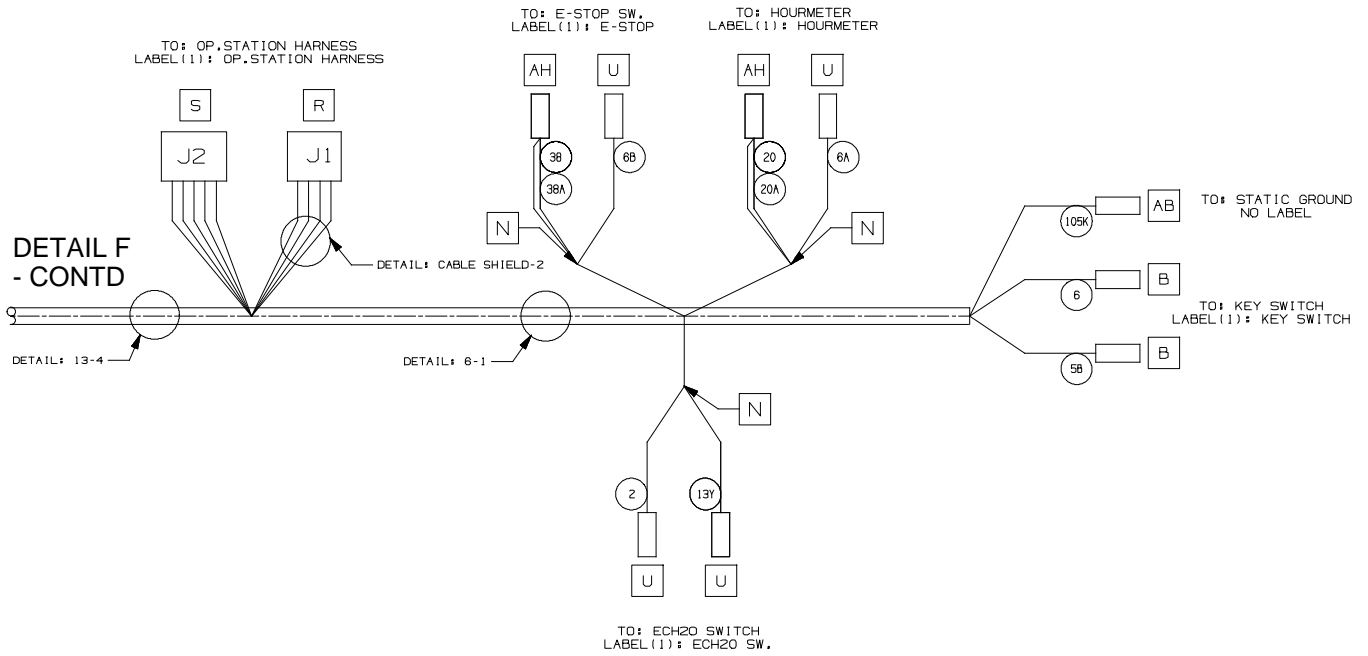
1076839\_00



ELECTRICAL HARNESS, MAIN (PAGE 6 OF 6)  
(S/N 10995399 - )

1076839\_00

S J2		R J1	
WIRE NO.	POS.	WIRE NO.	POS.
213/BLK - WHT	1	33/ORA	1
CAN+A/YEL	2	34/YEL	2
CAN+A/GRN	3	35/GRN	3
7/PUR	4	36/BLU	4
6C/BLU	5	37/PUR	5
20/TAN	6	CABLE:BLACK	6
54/YEL	7	CABLE:RED	7
40/TAN	8	CABLE:NATURAL	8
41/PNK	9	SHIELD2:GREEN2	9
13X/BLK	10		
2/BRN	11		
27/PUR	12		
18/GRY	13		
38A/GRY	14		
47/PUR	15		



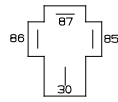
Part No.	Serial Number	Description	Qty.
1076839	(10995399- 2000000 )	Harness, Main, Ele [T500e]	1
49309	(10000000- 20000000 )	Relay, 24vdc, 015a, Spdt No	2

ELECTRICAL HARNESS, MAIN (PAGE 1 OF 6)  
(S/N 10000000 - 10995398)

1075312\_00

TO: M2: MAIN RELAY		TO: M3: VAC FAN RELAY	
WIRE NO.	REF. RELAY	WIRE NO.	REF. RELAY
61/PNK	30	29/WHT	30
13H/BLK	85	13J/BLK	85
46/BLU	87	15/GRN	87
6H/BLU	86	3/ORA	86

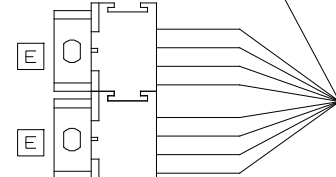
BACK VIEW OF "AP".  
WHERE WIRES ENTER.



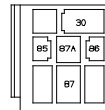
WIRE NO.	REF. RELAY
44/YEL	30
40/TAN	85
13E/BLK	87A
43A/ORA	87
6E/BLU	86

WIRE NO.	REF. RELAY
45/GRN	30
41/PNK	85
13F/BLK	87A
43B/ORA	87
6F/BLU	86

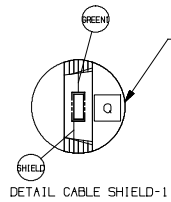
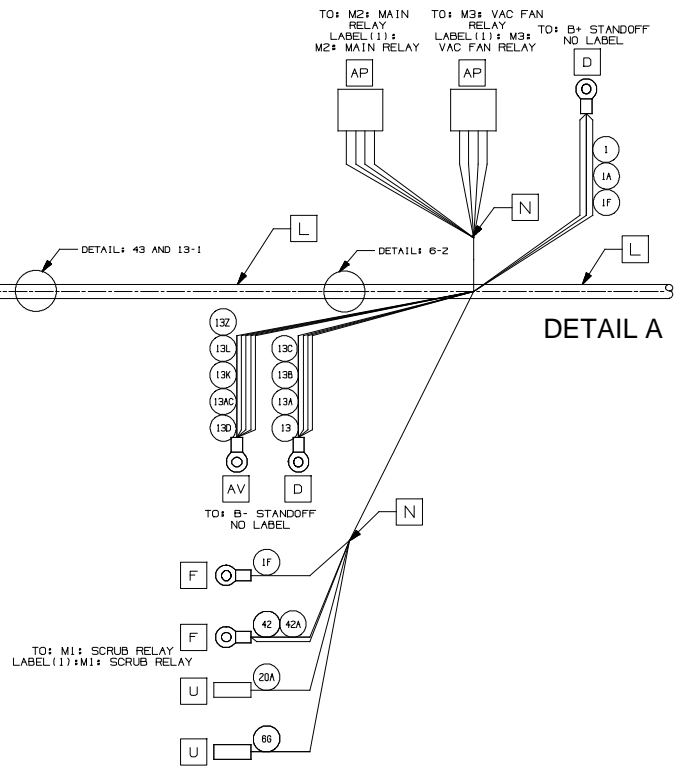
TO: M4: SCRUB HEAD ACT.  
LABEL (1): M4: SCRUB HEAD ACT.



TO: M5: SCRUB HEAD ACT.  
LABEL (1): M5: SCRUB HEAD ACT.



BACK VIEW OF "E".  
WHERE WIRES ENTER.



- NOTE:
- REMOVE CABLE COVERING ABOVE THIS POINT.
  - SPLICE SHIELD TO THE SHIELD1/GREEN WIRE.
  - ROUTE THE (4) WIRES UP TO THE SPECIFIED CONNECTORS.
  - COVER THE EXPOSED END OF THE CABLE COVER WITH DEFINED HEATSHRINK.

ELECTRICAL HARNESS, MAIN (PAGE 2 OF 6)  
(S/N 1000000 - 10995398)

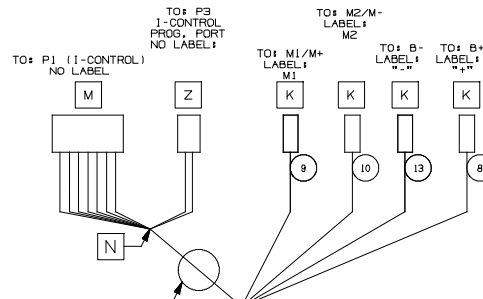
1075312\_00

CONTINUED  
ON PAGE 3  
(SHOWN ON BOTH PAGES)

DETAIL C

WIRE NO.	POS.	WIRE NO.	POS.
CABLE: NATURAL	1	35/GRN	8
33/ORA	2	34/YEL	9
OPEN	3	OPEN	10
27A/PUR	4	OPEN	11
38C/GRY	5	36/BLU	12
OPEN	6	37/PUR	13
OPEN	7	OPEN	14

WIRE NO.	POS.
SHIELD1:GREEN1	1
OPEN	2
CABLE:RED	3
CABLE:BLACK	4

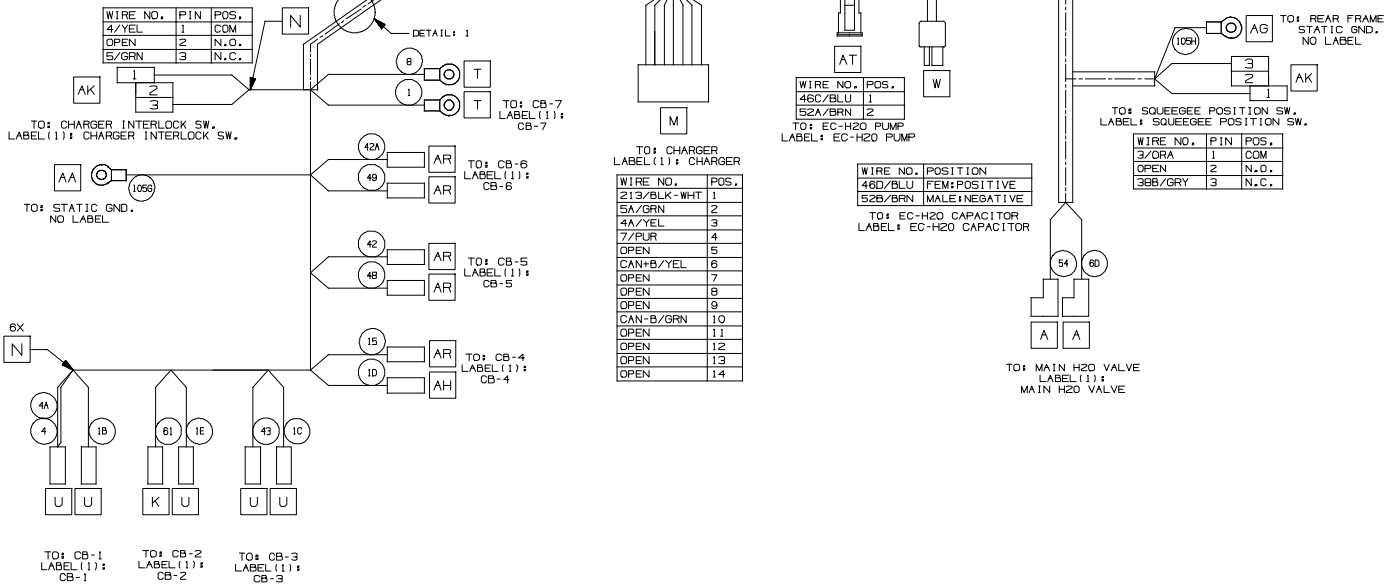


DETAIL A  
- CONTD

DETAIL B

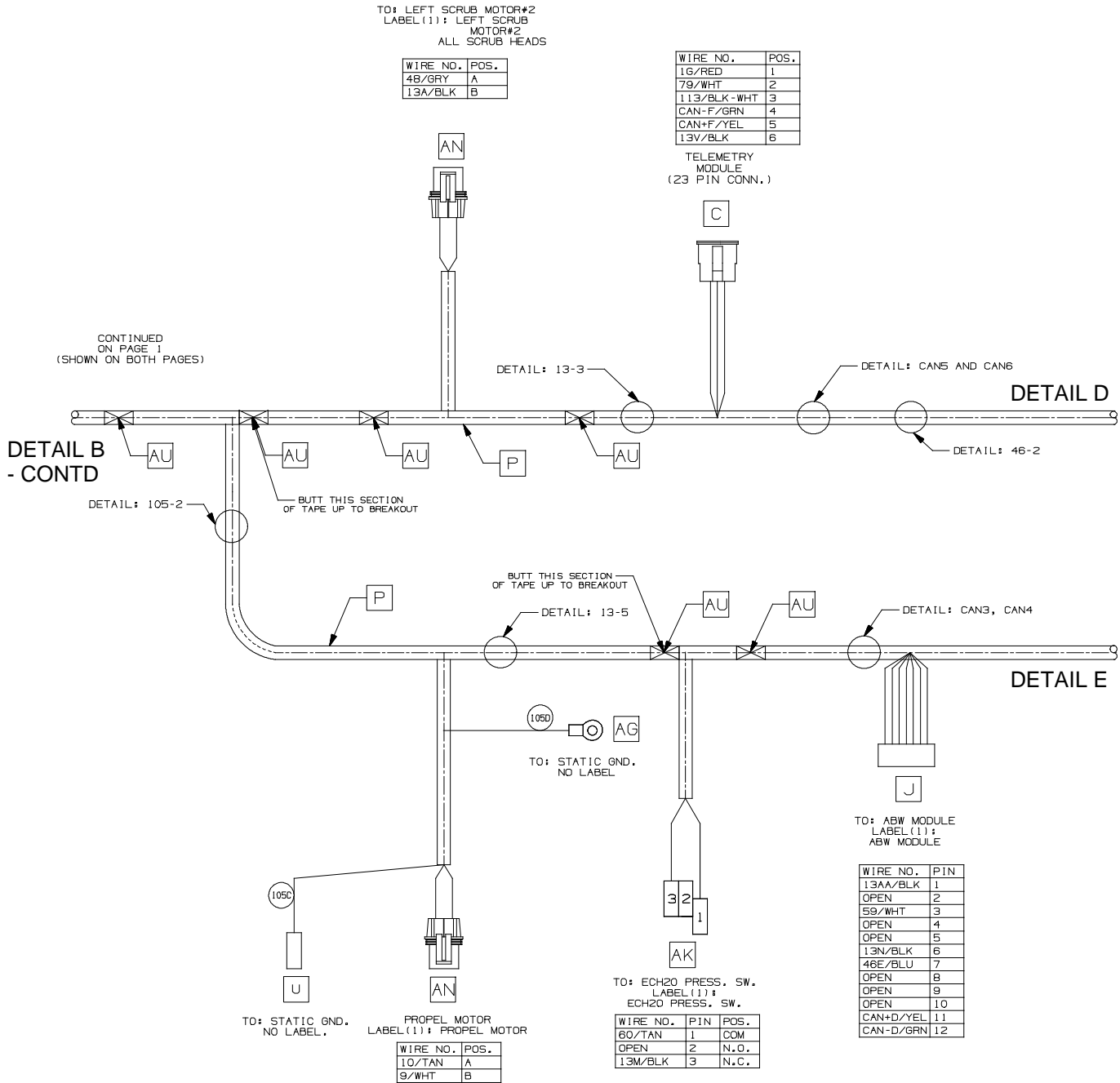
THIS SECTION EXTENDS  
UPWARD IN THE +Z AXIS  
DIRECTION.

CONTINUED  
ON PAGE 2  
(SHOWN ON  
BOTH PAGES)



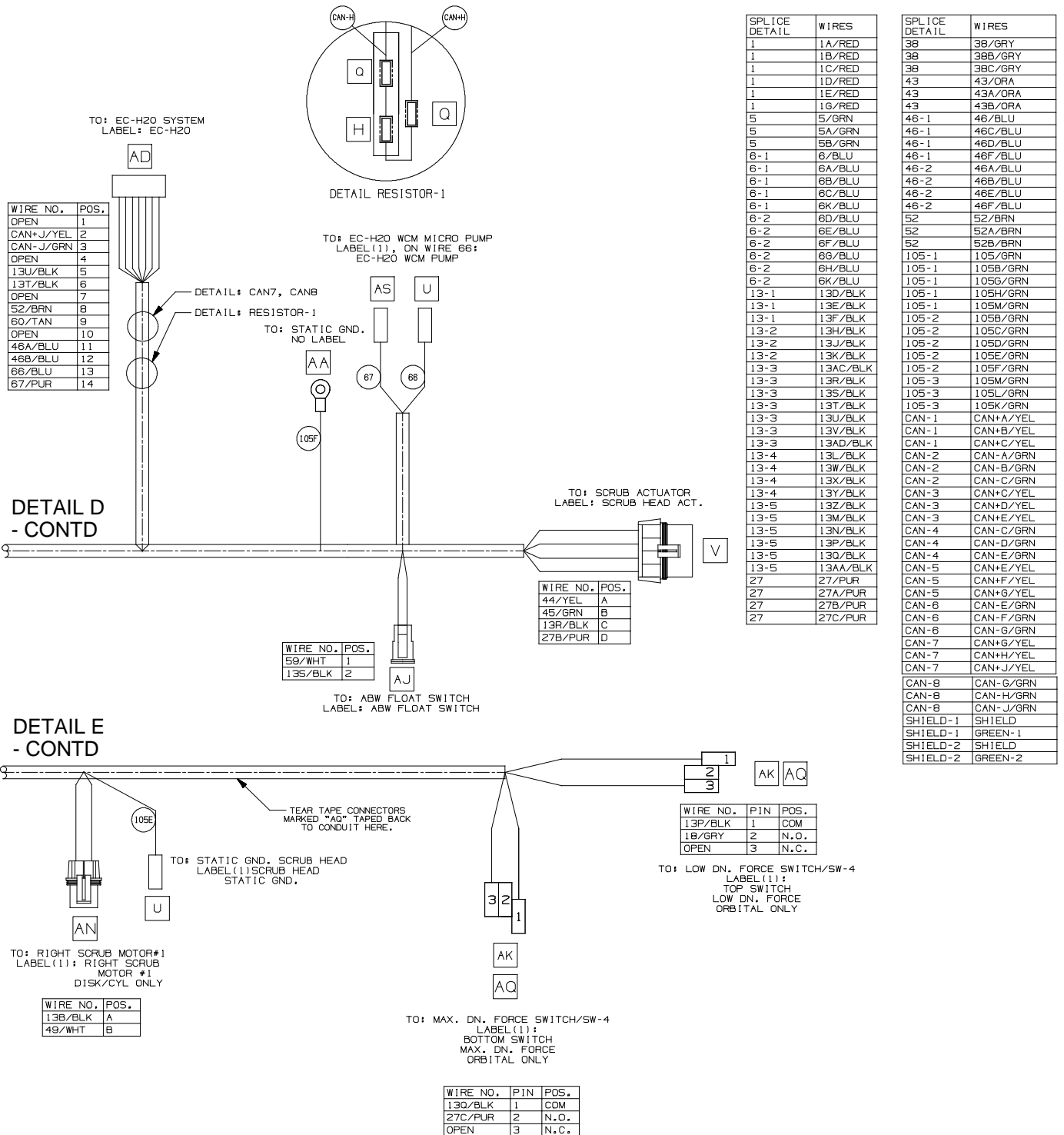
ELECTRICAL HARNESS, MAIN (PAGE 3 OF 6)  
(S/N 10000000 - 10995398)

10745312\_00



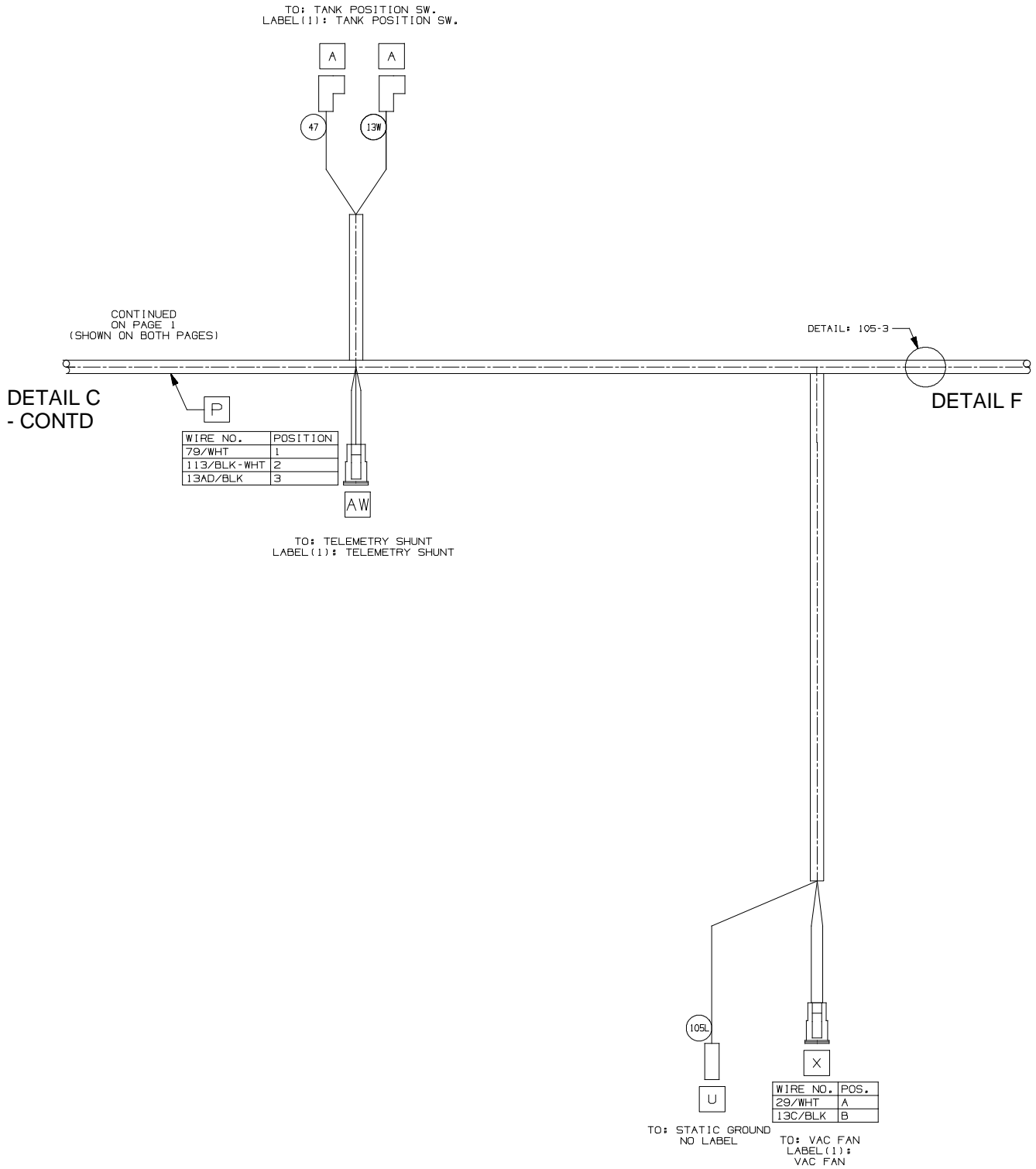
ELECTRICAL HARNESS, MAIN (PAGE 4 OF 6)  
(S/N 10000000 - 10995398)

1075312\_00



ELECTRICAL HARNESS, MAIN (PAGE 5 OF 6)  
(S/N 10000000 - 10995398)

1075312\_00



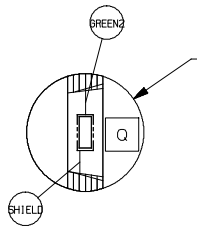


**ELECTRICAL HARNESS, MAIN (PAGE 6 OF 6)**  
**(S/N 10000000 - 10995398)**

1075312\_00

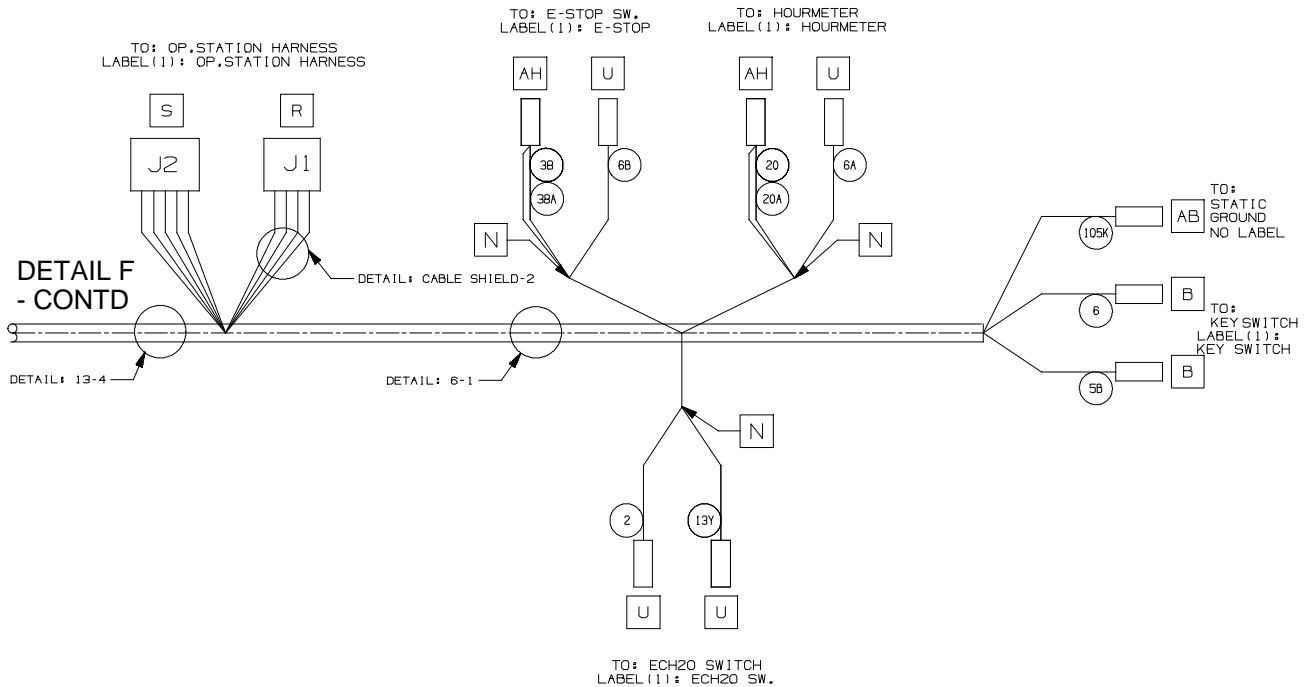
WIRE NO.	POS.
213/BLK-WHT	1
CAN+A/YEL	2
CAN-A/GRN	3
7/PUR	4
6C/BLU	5
20/TAN	6
54/YEL	7
40/TAN	8
41/PNK	9
13X/BLK	10
2/BRN	11
27/PUR	12
1B/GRY	13
38A/GRY	14
47/PUR	15

WIRE NO.	POS.
33/DRA	1
34/YEL	2
35/GRN	3
36/BLU	4
37/PUR	5
CABLE:BLACK	6
CABLE:RED	7
CABLE:NATURAL	8
SHIELD2:GREEN2	9



NOTE:  
 - REMOVE CABLE COVERINGS ABOVE THIS POINT.  
 - SPLICE SHIELD TO THE SHIELD1/GREEN WIRE.  
 - ROUTE THE (4) WIRES UP TO THE SPECIFIED CONNECTORS.  
 - COVER THE EXPOSED END OF THE CABLE COVER WITH DEFINED HEATSHRINK.

DETAIL CABLE SHIELD-2



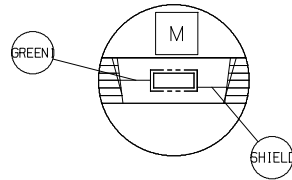
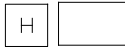
Part No.	Serial Number	Description	Qty.
1075312	(10000000- 10995398 )	Harness, Main, Ele [T500e]	1
49309	(10000000- 20000000 )	Relay, 24vdc, 015a, Spdt No	2

## ELECTRICAL HARNESS, OPERATOR STATION

1075313\_00

TO: REVERSE SWITCH  
 LABEL: REV. SW.

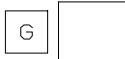
WIRE NO.	POS.
36/BLU	1
37/PUR	2



DETAIL CABLE SHIELD-1

TO: SPEED POTENTIOMETER  
 LABEL: SPEED POT.

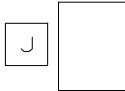
WIRE NO.	POS.
33/ORA	1
34/YEL	2
35/GRN	3



TO: USER INTERFACE MODULE  
 NO LABELS

WIRE NO.	POS.
38/GRY	1
OPEN	2
2/BRN	3
47/PUR	4
40/TAN	5
41/PNK	6
20/TAN	7
13/BLK	8
7/PUR	9
6/BLU	10

CONN. J7



CONN. J5

WIRE NO.	POS.
SHIELD1/ GREEN	1
CABLE: NATURAL	2
CABLE: RED	3
CABLE: BLACK	4



DETAIL: SHIELD-1  
 (LOCATED WITHIN 75MM OF CONNECTOR "D".)

CONN. J3

WIRE NO.	POS.
CAN+/YEL	1
CAN-/GRN	2
113/BLK-WHT	3
OPEN	4



CONN. J10

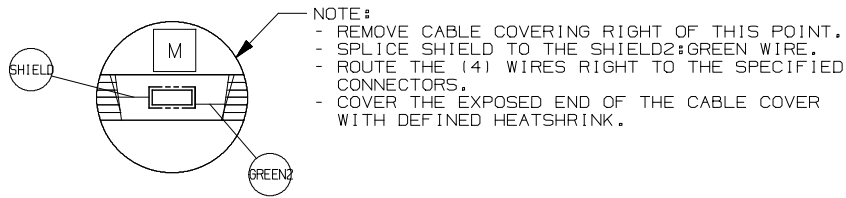
WIRE NO.	POS.
18/GRY	1
OPEN	2
27/PUR	3
OPEN	4
OPEN	5
54/YEL	6
OPEN	7
OPEN	8



DETAIL A

ELECTRICAL HARNESS, OPERATOR STATION

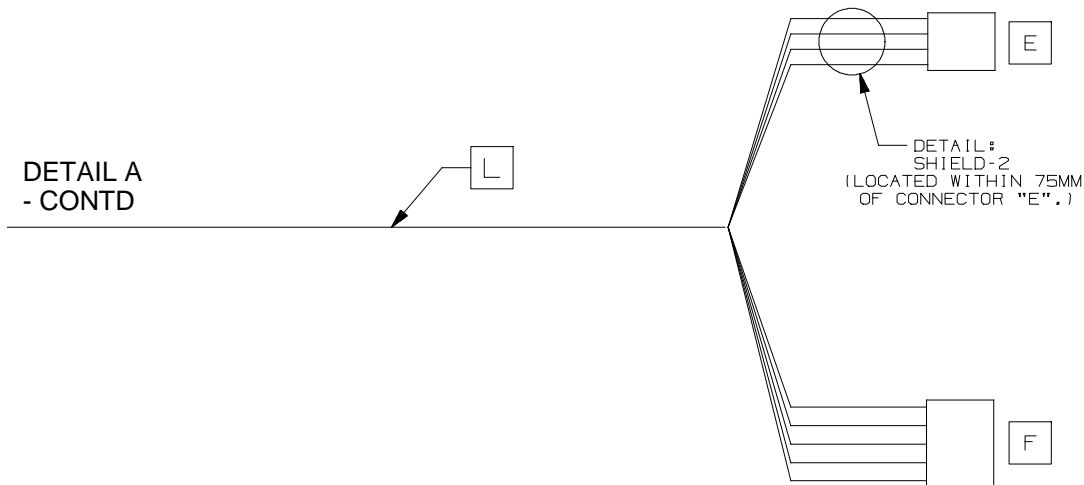
1075313\_00



DETAIL CABLE SHIELD-2

TO: MAIN HARNESS  
NO LABEL

WIRE NO.	POS.
33/ORA	1
34/YEL	2
35/GRN	3
36/BLU	4
37/PUR	5
CABLE:BLK	6
CABLE:RED	7
CABLE:NATURAL	8
SHIELD2:GREEN	9



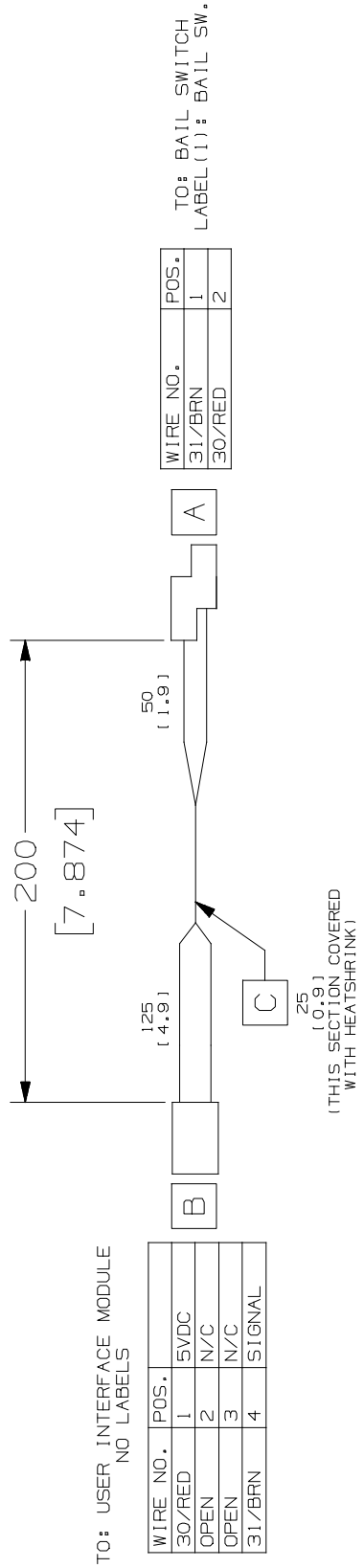
TO: MAIN HARNESS.  
NO LABEL

WIRE NO.	POS.
113/BLK-WHT	1
CAN+ /YEL	2
CAN- /GRN	3
7/PUR	4
6/BLU	5
20/TAN	6
54/YEL	7
40/TAN	8
41/PNK	9
13/BLK	10
2/BRN	11
27/PUR	12
18/GRY	13
38/GRY	14
47/PUR	15

Part No.	Serial Number	Description	Qty.
1075313	(10000000- 20000000 )	Harness, Ele [Op. Station, T500e]	1

ELECTRICAL HARNESS, BAIL SWITCH

1072524\_00

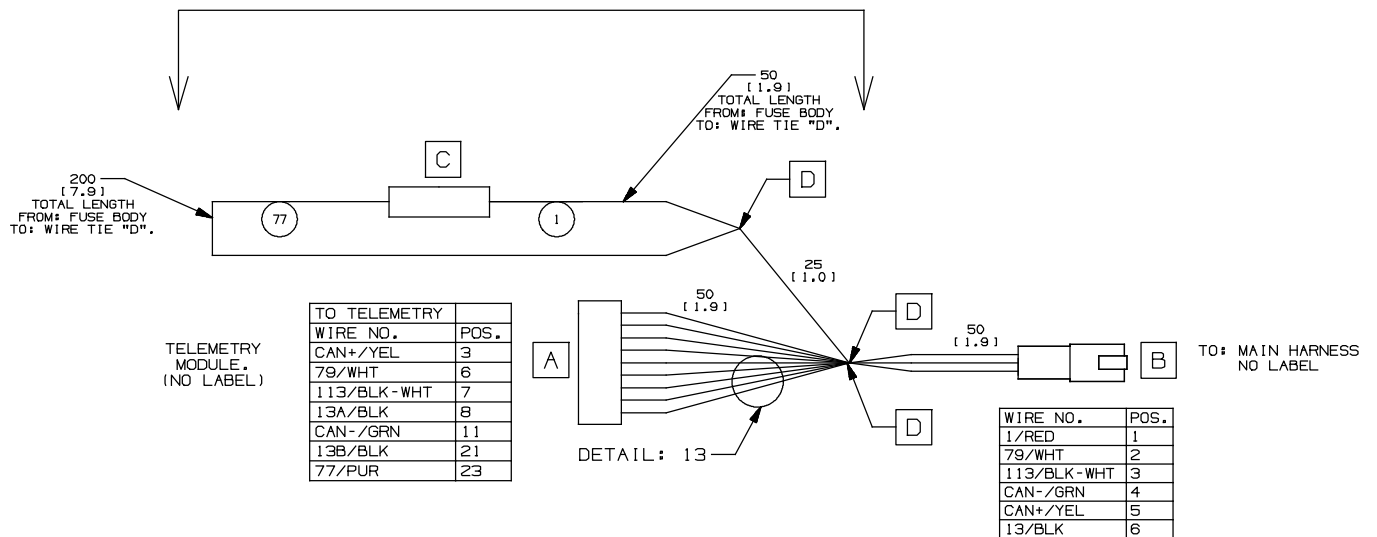


Part No.	Serial Number	Description	Qty.
1072524	(10000000-20000000 )	Harness, Ele [Bail Switch]	1

ELECTRICAL HARNESS, TELEMETRY (OPTION)

1075352\_00

THIS SECTION OF HARNESS (FUSE "C" AND WIRES 77/PUR AND 1/RED) IS TO BE BUNDLED AND WIRE TIED TO THE SECTION OF HARNESS ROUTING FROM CONNECTOR "A" TO CONNECTOR "B".

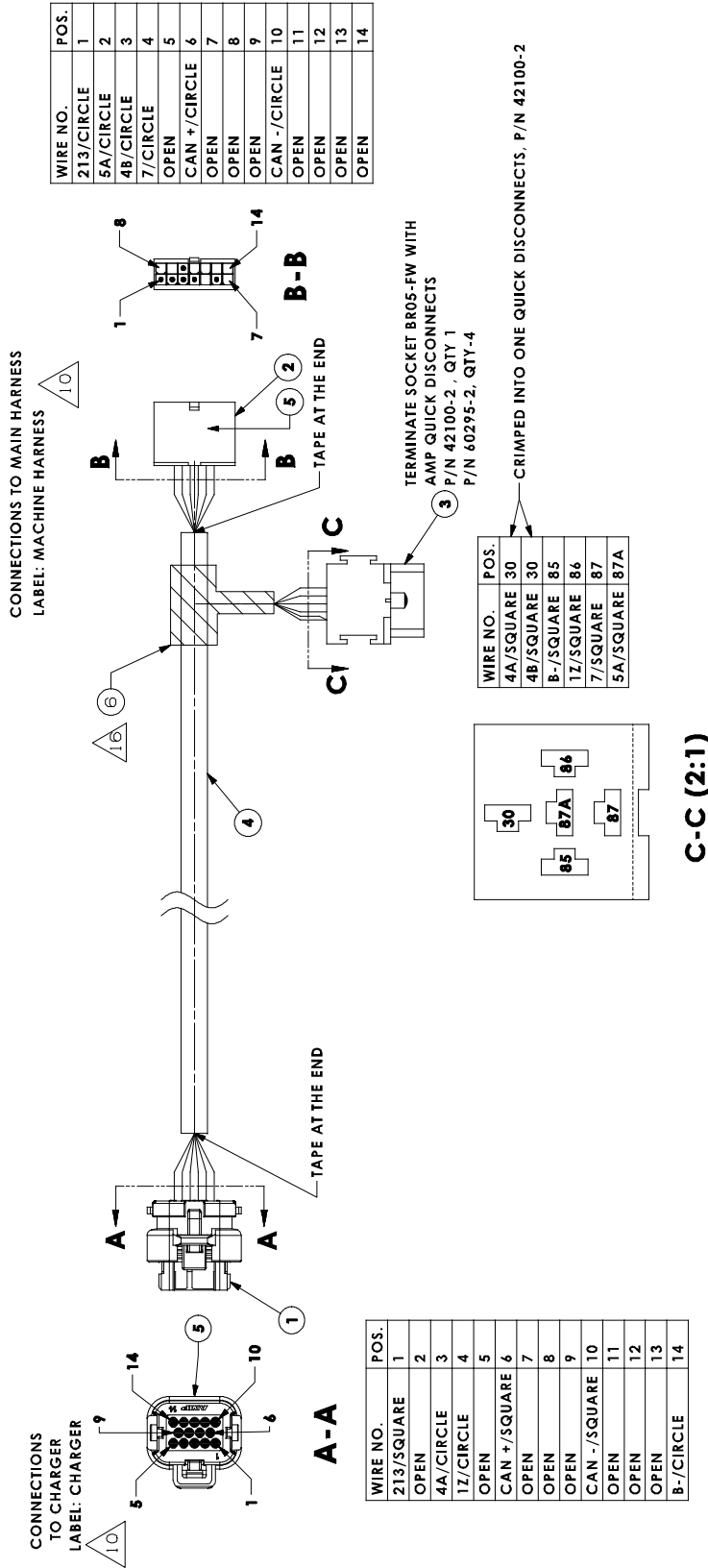


WIRE NO	GA
1/RED	20
13/BLK	20
13A/BLK	20
13B/BLK	20
77/PUR	20
79/WHT	20
113/BLK-WHT	20
CAN-/GRN	20
CAN+/YEL	20

Part No.	Serial Number	Description	Qty.
1075352	(10000000- 20000000 )	Harness, Ele [Telem, T500e]	1

ELECTRICAL HARNESS, RELAY ADAPTER (TPPL BATTERY)

1076909\_00



WIRE ID	GAUGE	COLOR	WIRE TYPE	CIRCLE TERMINAL		SQUARE TERMINAL	
				MANUFACTURER	P/N	MANUFACTURER	P/N
1Z	18	ORA	SEE NOTE 13	AMPSEAL	770854-1	AMP	60295-2
4A	20	YEL		AMPSEAL	770854-1	AMP	42100-2
4B	20	YEL		MOLEX	39000040	AMP	60295-2
5A	20	GRN		MOLEX	39000040	AMP	60295-2
7	20	PUR		MOLEX	39000040	AMP	60295-2
213	18	BLK-WHT		MOLEX	39000040	AMPSEAL	770854-1
CAN +	20	YEL		MOLEX	39000040	AMPSEAL	770854-1
CAN -	20	GRN	MOLEX	39000040	AMPSEAL	770854-1	
B-	18	BLK		AMPSEAL	770854-1	AMP	60295-2

Part No.	Serial Number	Description	Qty.
1076909	(10995399-2000000 )	Harness, Ele, Adapter, Relay	1

1266968

ELECTRICAL HARNESS, BATTERY TO UI (LITHIUM-ION BATTERY)



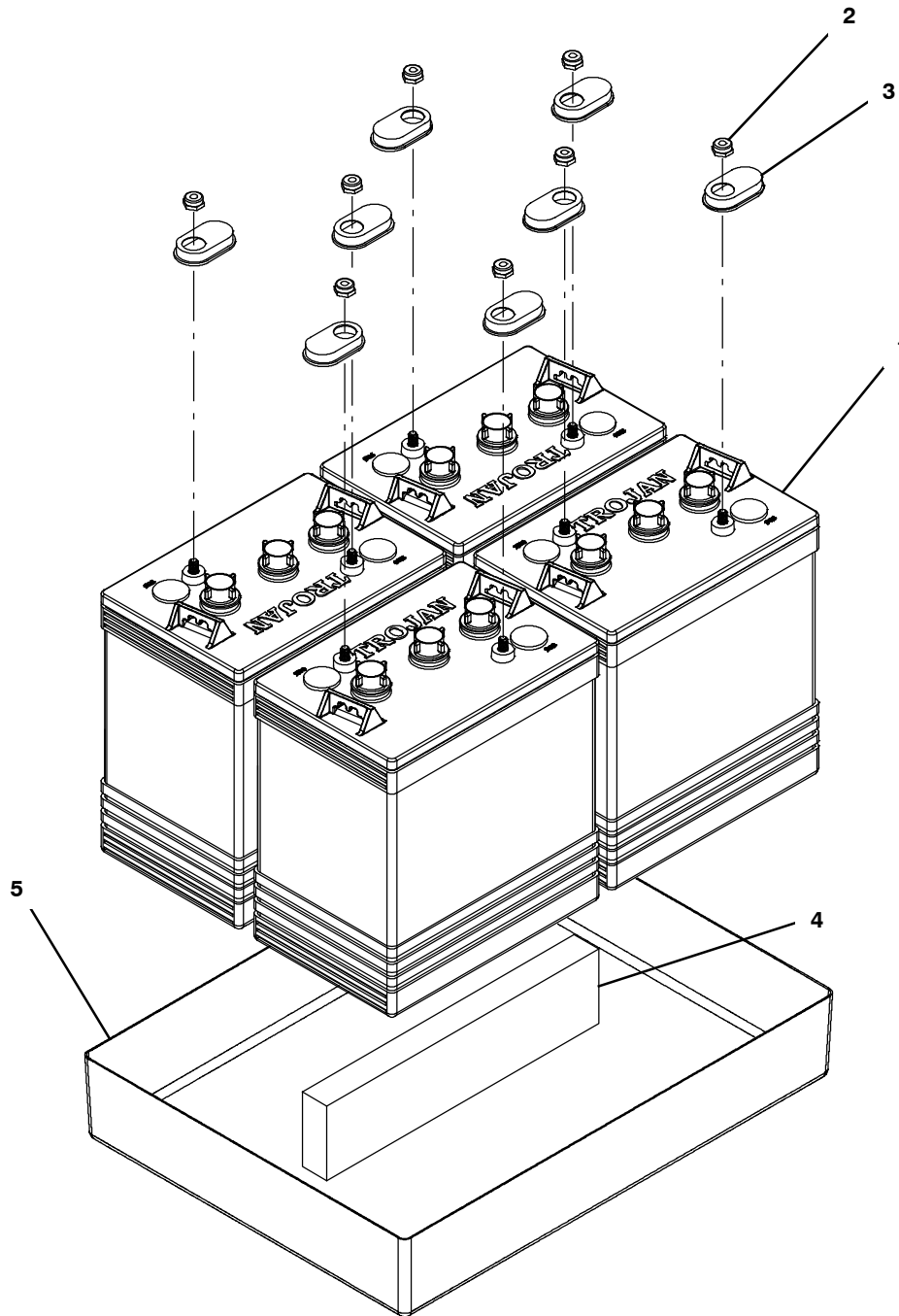
Part No.	Serial Number	Description	Qty.
9022783	(10000000-20000000 )	Harness, Replmt [Battery To U]	1





BATTERY GROUP, WET 225AH

355452



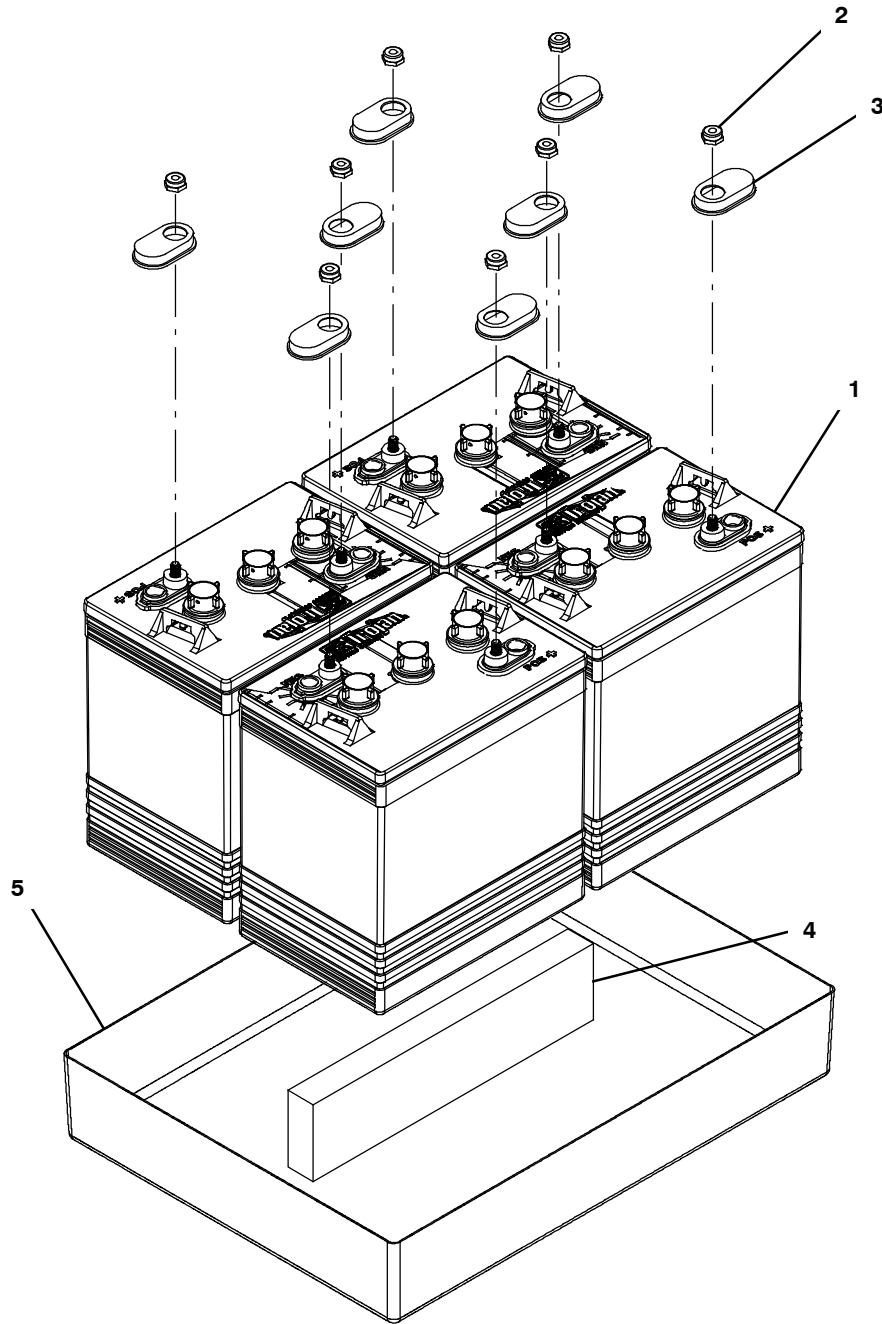
Ref.	Part No.	Serial Number	Description	Qty.
▽	1	10155	(10000000- 20000000 ) Battery, Wet, 06vdc	4
▲	2	87435	(10000000- 20000000 ) Nut, Hex, Flexlock, .31- 18	2
	3	1041030	(10000000- 20000000 ) Cap, Battery, Black [For 155ah]	8
	4	630375	(10000000- 20000000 ) Spacer, Battery, Foam, 1.25 X 3.3 X 13.7	1
	5	1222318	(10000000- 20000000 ) Tray, Battery, Trimmed [T500, Thick]	1

▽ ASSEMBLY

▲ INCLUDED IN ASSEMBLY

BATTERY GROUP, WET 260AH

355448



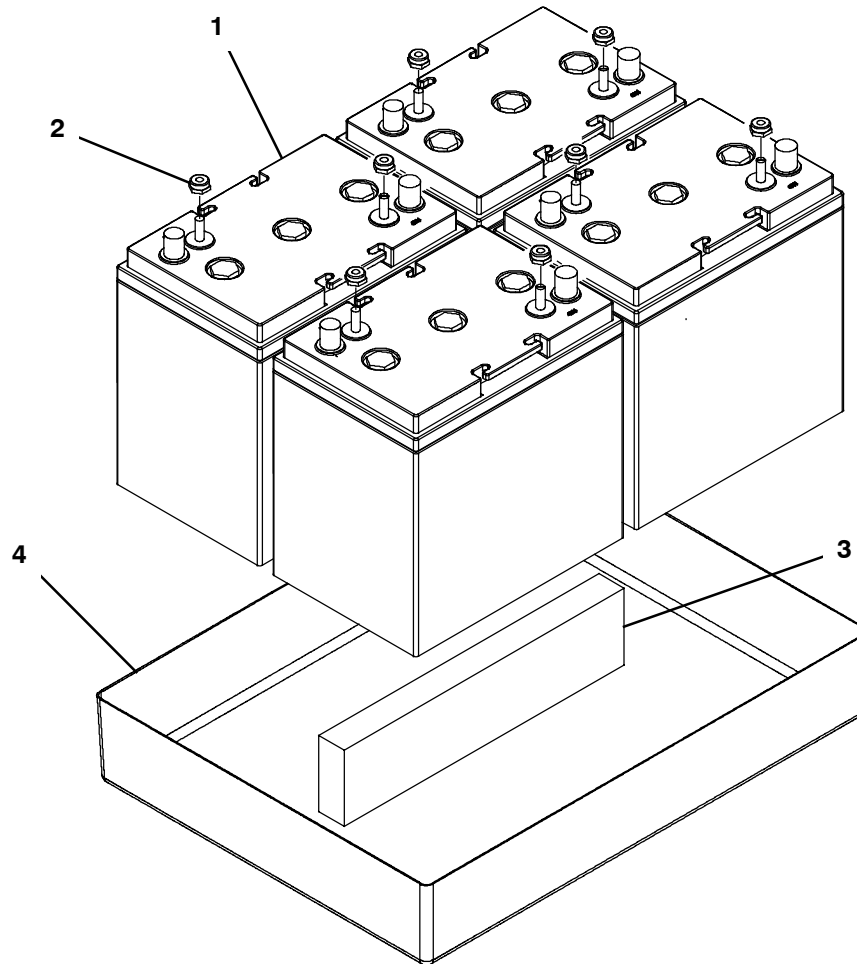
	Ref.	Part No.	Serial Number	Description	Qty.
▽	1	390825	(10000000-20000000 )	Battery, Wet, 06vdc 0244ah	4
▲	2	87435	(10000000-20000000 )	Nut, Hex, Flexlock, .31- 18	2
▲	3	1041030	(10000000-20000000 )	Cap, Battery, Black [For 155ah]	2
	4	630375	(10000000-20000000 )	Spacer, Battery, Foam, 1.25 X 3.3 X 13.7	1
	5	1222318	(10000000-20000000 )	Tray, Battery, Trimmed [T500, Thick]	1

▽ ASSEMBLY

▲ INCLUDED IN ASSEMBLY

BATTERY GROUP, AGM 210AH

355450



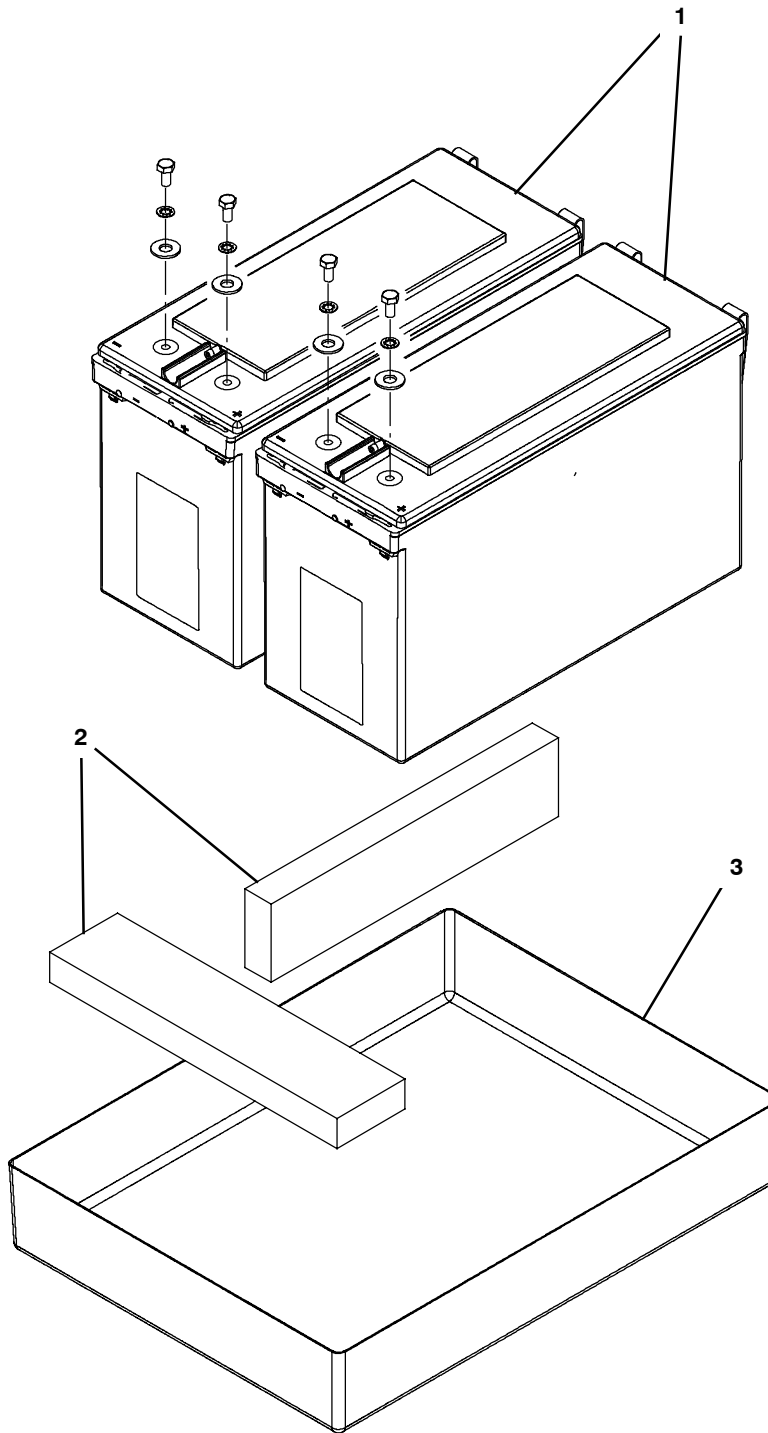
	Ref.	Part No.	Serial Number	Description	Qty.
▽	1	1262245	(10000000-20000000 )	Battery, Agm, 06vdc 0210ah	4
▲	2	87435	(10000000-20000000 )	Nut, Hex, Flexlock, .31- 18	2
	3	630375	(10000000-20000000 )	Spacer, Battery, Foam, 1.25 X 3.3 X 13.7	1
	4	1222318	(10000000-20000000 )	Tray, Battery, Trimmed [T500, Thick]	1

▽ ASSEMBLY

▲ INCLUDED IN ASSEMBLY

BATTERY GROUP, TPPL 183AH C/20

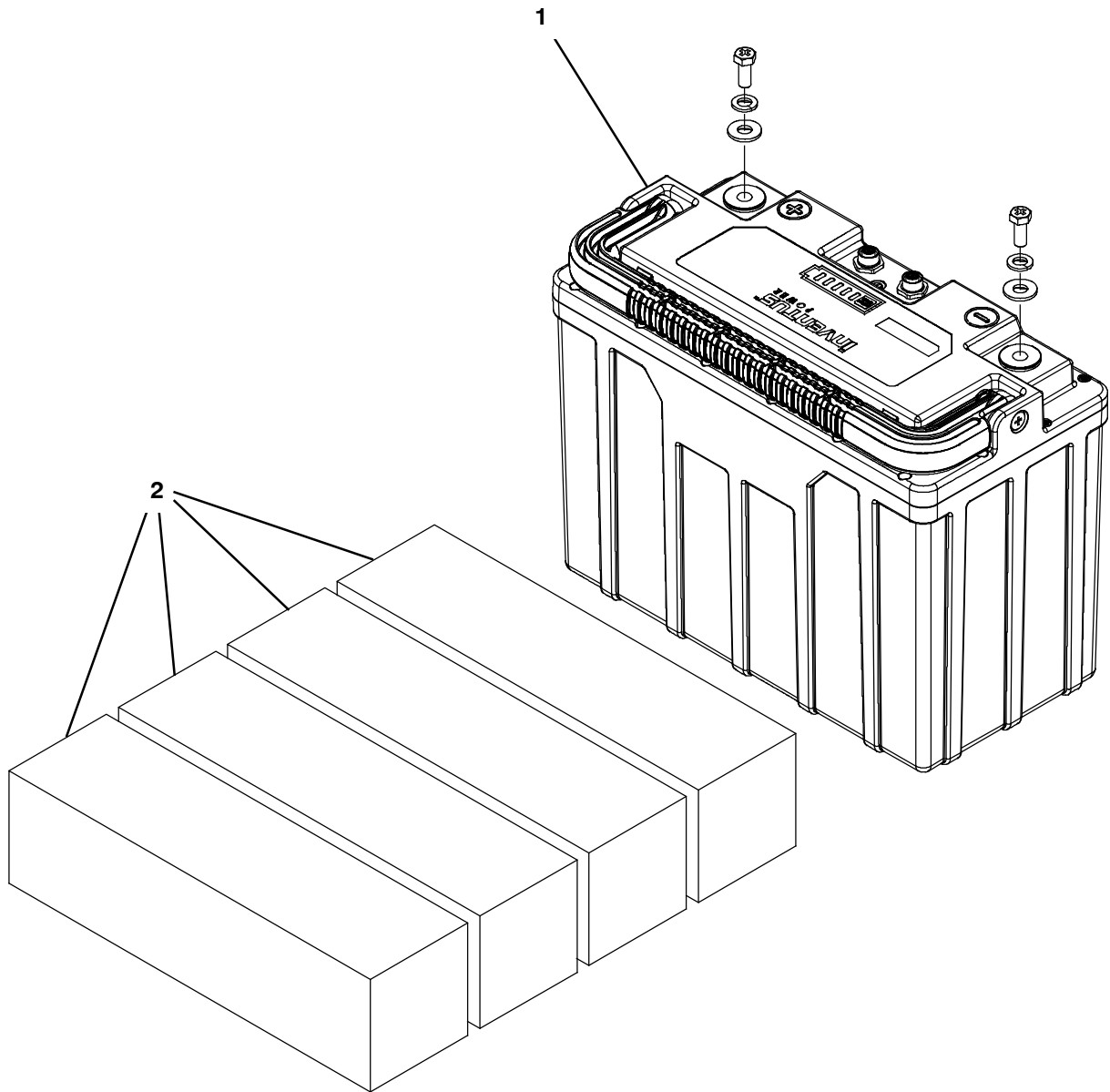
355804



Ref.	Part No.	Serial Number	Description	Qty.
1	1254199	(10000000- 20000000 )	Battery, Ttpl, 12vdc, 183ah [C/20]	2
2	630375	(10000000- 20000000 )	Spacer, Battery, Foam, 1.25 X 3.3 X 13.7	2
3	1222318	(10000000- 20000000 )	Tray, Battery, Trimmed [T500, Thick]	1

**BATTERY GROUP, 90AH 125 BAUD LITHIUM-ION (1 Battery System)**

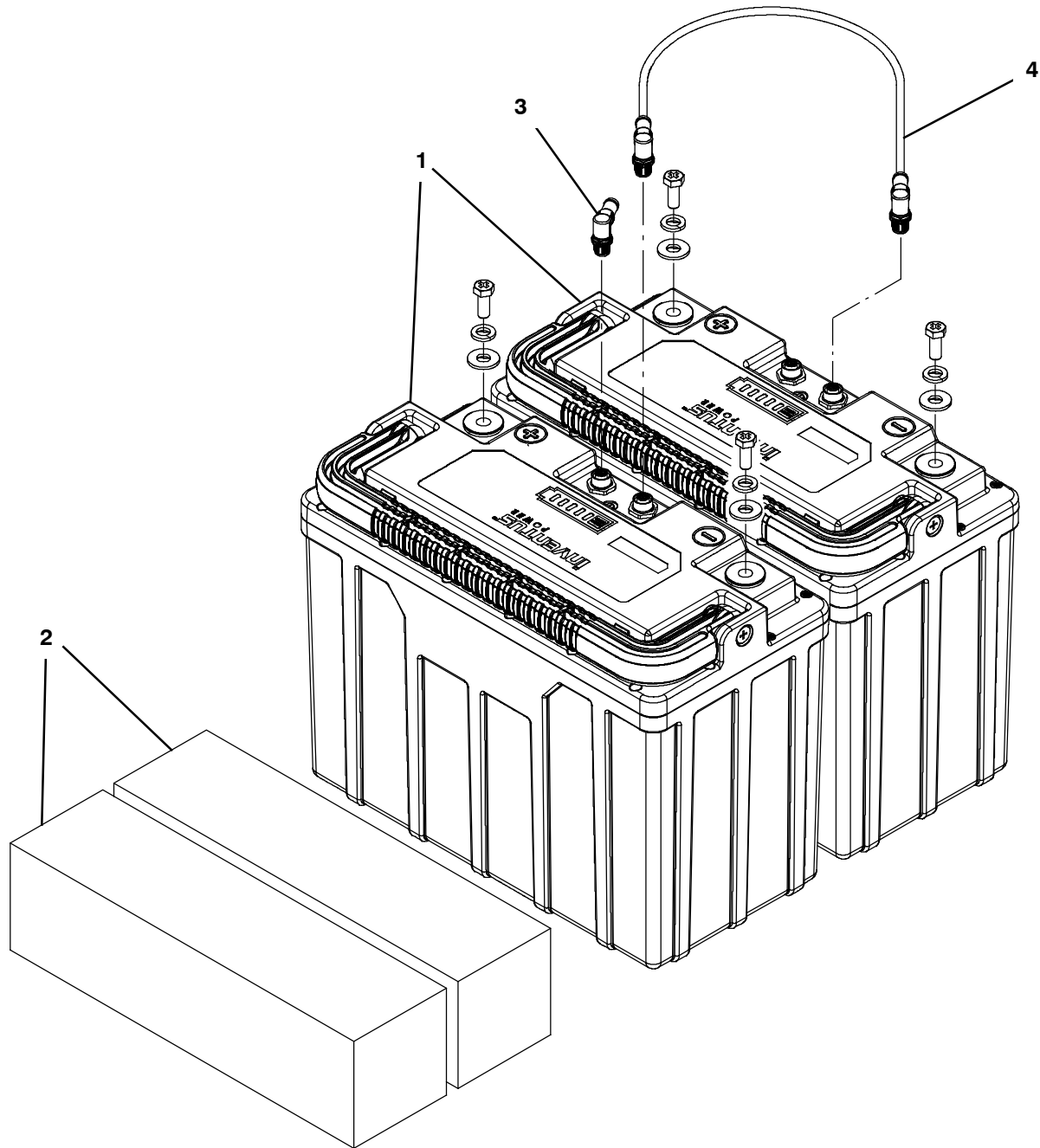
355963



Ref.	Part No.	Serial Number	Description	Qty.
1	9022779	(10000000- 20000000 )	Battery, Replmt, Li- Ion, 24v [T300/T500]	1
2	1243753	(10000000- 20000000 )	Spacer, Battery, Foam, 3.5 X 3.5 X 13.0	4

**BATTERY GROUP, 90AH 125 BAUD LITHIUM-ION (2 Battery System)**

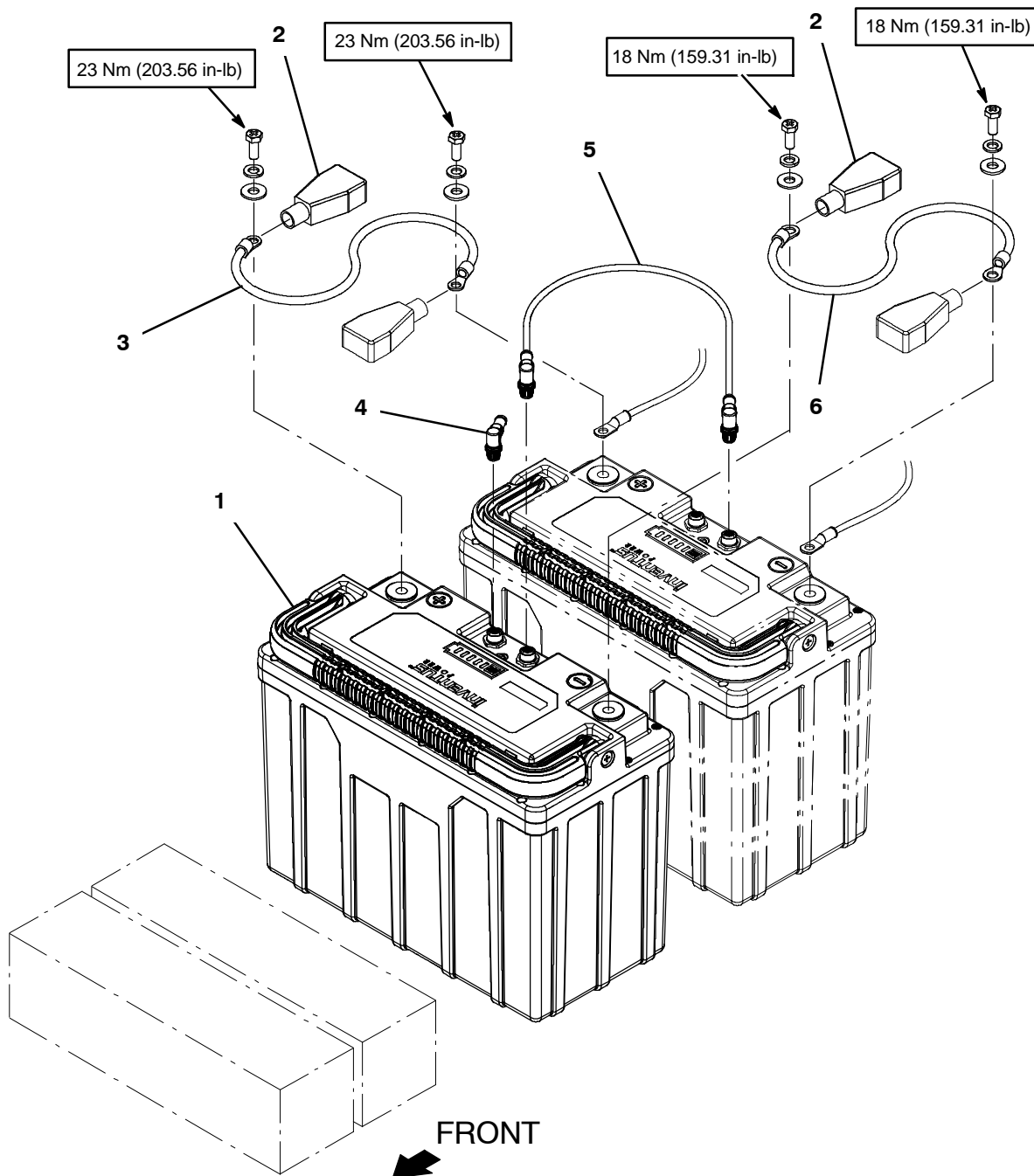
355964



Ref.	Part No.	Serial Number	Description	Qty.
1	9022779	(10000000-20000000 )	Battery, Replmt, Li- Ion, 24v [T300/T500]	2
2	1243753	(10000000-20000000 )	Spacer, Battery, Foam, 3.5 X 3.5 X 13.0	2
3	9022781	(10000000-20000000 )	Resistor, Plug, Replmt	1
4	1077084	(10000000-20000000 )	Cable Assy, 8 Pos, Male To Male, 19.7l	1

**EXTENSION KIT, LITHIUM-ION BATTERY (1 Battery to 2 Battery System)**

355953



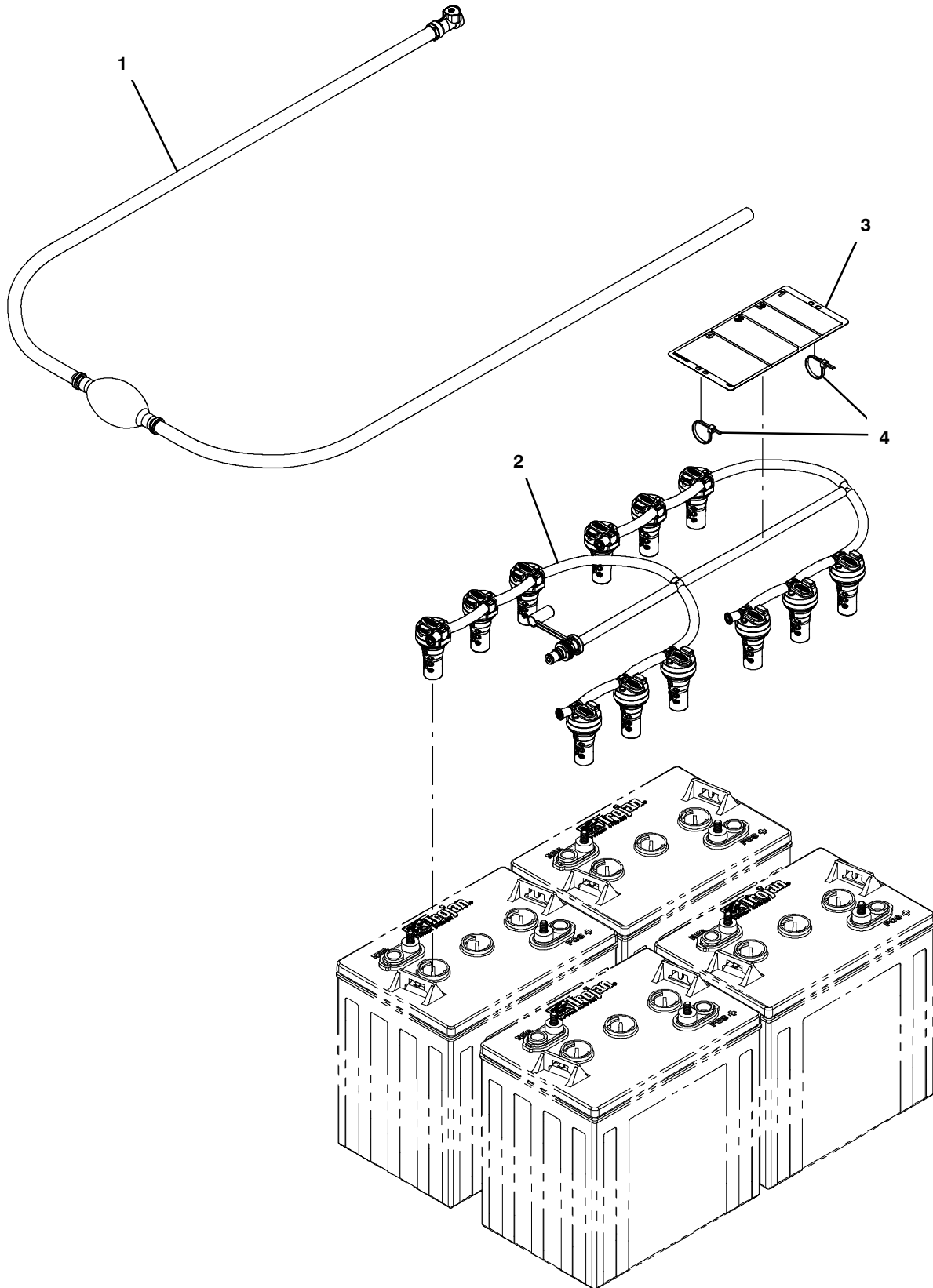
Ref.	Part No.	Serial Number	Description	Qty.
▽	9022780	(10000000- 20000000 )	Battery Kit, Li- Ion,24v,Extn [T300/T500]	1
▲	1 9022779	(10000000- 20000000 )	Battery, Replmt, Li- Ion, 24v [T300/T500]	1
▲	2 68872	(10000000- 20000000 )	Boot, Terminal, Battery, 02- 01ga, Blk	2
▲	3 1077083	(10000000- 20000000 )	Cable, 04ga 18.0l Red .41ring /.41ring	1
▲	4 9022781	(10000000- 20000000 )	Resistor, Plug, Replmt	1
▲	5 1077084	(10000000- 20000000 )	Cable Assy, 8 Pos, Male To Male, 19.7l	1
▲	6 223364	(10000000- 20000000 )	Cable, 04ga 18.0l Blk .34ring /.34ring	1

▽ ASSEMBLY

▲ INCLUDED IN ASSEMBLY

MANUAL BATTERY WATERING SYSTEM

355801





**MANUAL BATTERY WATERING SYSTEM**

	<b>Ref.</b>	<b>Part No.</b>	<b>Serial Number</b>	<b>Description</b>	<b>Qty.</b>
▽		9021123*	(10995399- 20000000 )	Fill Kit, Battery, Manual, Ci [Trojan]	1
▲	1	1236295	(10995399- 20000000 )	Pump, Hand, Battery	1
▲	2	9021081	(10995399- 20000000 )	Manifold Kit, Water, 4 Btry [Trojan]	1
▲	3	1253250	(10995399- 20000000 )	Label, Tag, Battery [Bwt Watering]	1
▲	4	130773	(10000000- 20000000 )	Tie, Cable, Nyl, 11.0l, .14w, 3.0 Max. D	2

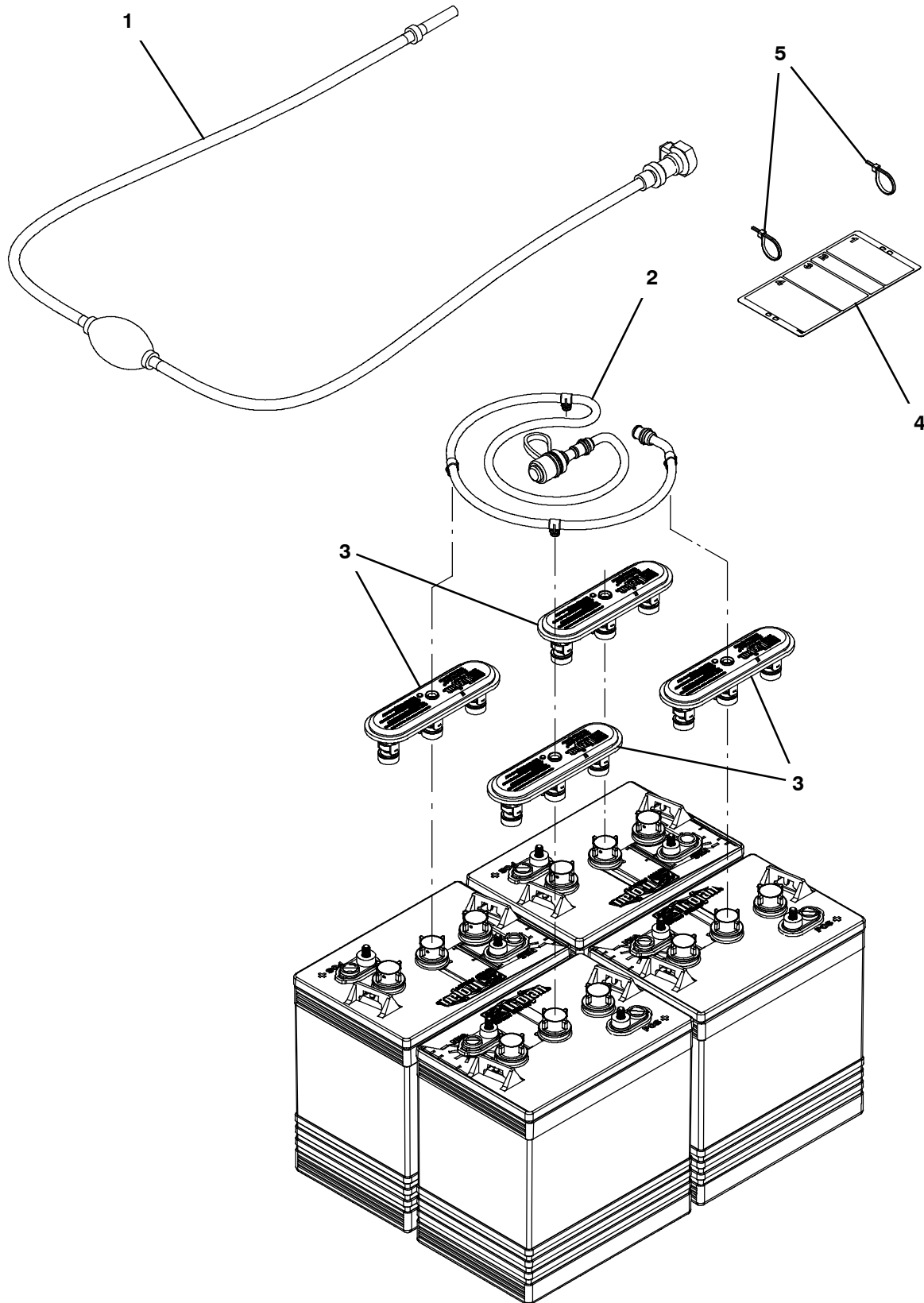
\*THIS KIT IS INTENDED FOR USE WITH TROJAN® LEAD ACID BATTERIES ONLY.

▽ ASSEMBLY

▲ INCLUDED IN ASSEMBLY

HYDROLINK MANUAL BATTERY WATERING SYSTEM

355454



**HYDROLINK MANUAL BATTERY WATERING SYSTEM**

	<b>Ref.</b>	<b>Part No.</b>	<b>Serial Number</b>	<b>Description</b>	<b>Qty.</b>
▽		9010300*	(10000000- 10995398 )	Battery Fill Kit, 24v, Ci [Hydrolink] (Replaced By 9021123)	1
▲	1	1058939	(10000000- 10995398 )	Pump Kit, Fill, Battery	1
▲	2	1229544	(10000000- 10995398 )	Tube, Water, Battery, 24vdc [Trojan]	1
▲	3	1204142	(10000000- 10995398 )	Cap, Fill, Battery [Trojan]	4
▲	4	1071084	(10000000- 10995398 )	Label, Tag, Battery [Hydrolink Watering]	1
▲	5	130773	(10000000- 20000000 )	Tie, Cable, Nyl, 11.0l, .14w, 3.0 Max. D	2

\*THIS KIT IS INTENDED FOR USE WITH TROJAN® LEAD ACID BATTERIES ONLY.

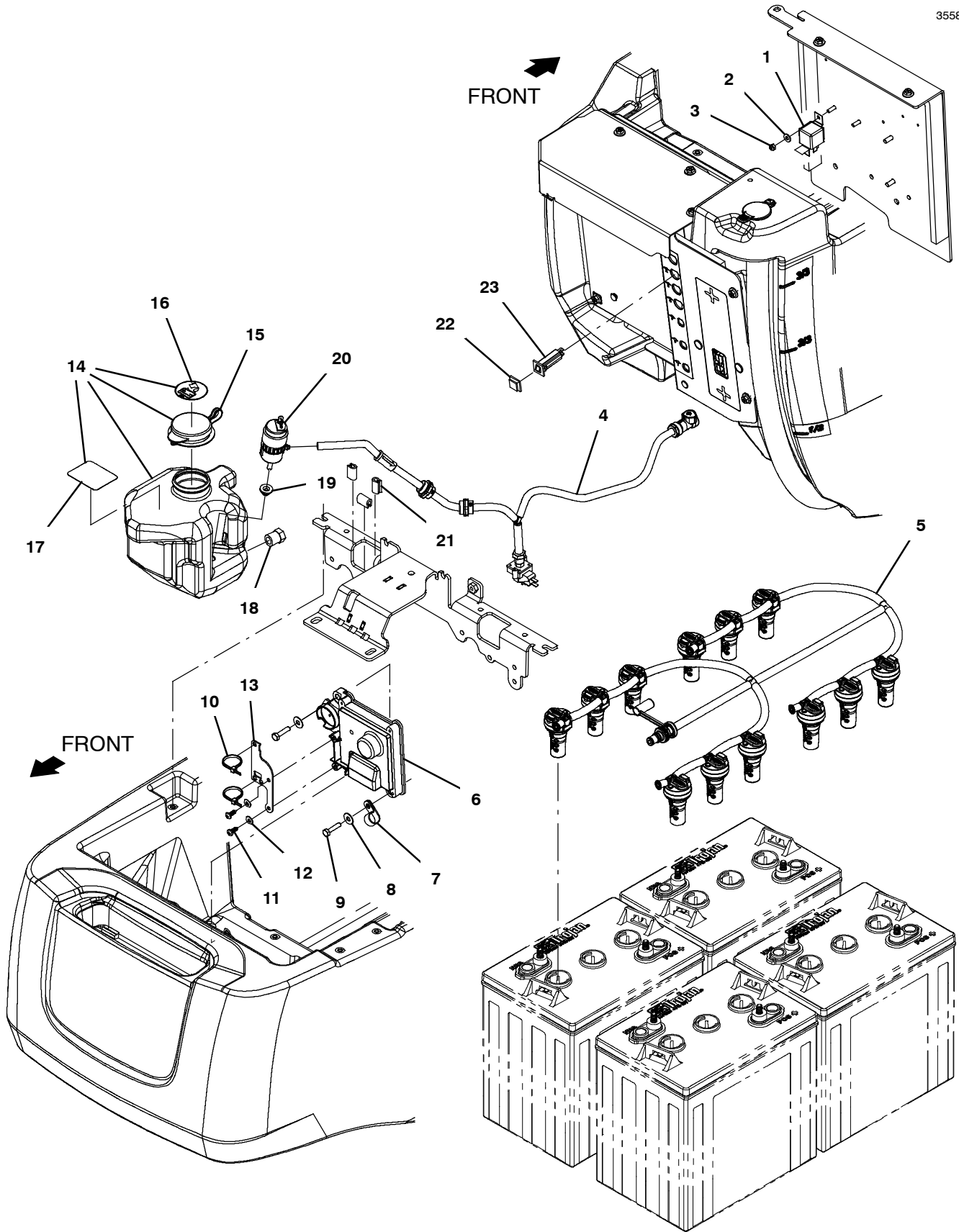
HYDROLINK® IS A REGISTERED TRADEMARK OF TROJAN BATTERY COMPANY.

▽ ASSEMBLY

▲ INCLUDED IN ASSEMBLY

SMART-FILL AUTOMATIC BATTERY WATERING SYSTEM  
(S/N 10995399 - )

355803



**SMART-FILL AUTOMATIC BATTERY WATERING SYSTEM  
(S/N 10995399 - )**

Ref.	Part No.	Serial Number	Description	Qty.
▽	9021125*	(10995399-20000000)	Fill Kit, Battery, Auto, Ci [Trojan]	1
▲	1 1228510	(10000000-20000000)	Relay, 24vdc, 80a, Spst No, Plug- In	1
▲	2 01683	(10000000-20000000)	Washer, Flat, 10, Ss	1
▲	3 09739	(10000000-20000000)	Nut, Hex, Lock, M5 X 0.80, NI, Ss	1
▲	4 9018989	(10995399-20000000)	Delivery Kit, Water, Battery	1
▲	5 9018988	(10995399-20000000)	Distribution Kit, Water, Battery	1
▲	6 9016770*	(10995399-20000000)	Controller Kit, Battery, 24vdc, Ci [Abw] (See Breakdowns)	1
▲	7 40678-1	(10995399-20000000)	Clamp, Cable, Stl, 0.88d X 0.62w, 1hole	1
▲	8 01684	(10000000-20000000)	Washer, Flat, 0.27b 0.69d .05, Ss	2
▲	9 1016005	(10000000-20000000)	Screw, Hex, M6 X 1.00 X 25, NI, FI, Ss	2
▲	10 130773	(10000000-20000000)	Tie, Cable, Nyl, 11.0l, .14w, 3.0 Max. D	2
▲	11 1018155	(10000000-20000000)	Screw, Pan, Phl, M5 X 0.80 X 16, Tcut,Ss	2
▲	12 01683	(10000000-20000000)	Washer, Flat, 10, Ss	2
▲	13 1252827	(10995399-20000000)	Bracket, Mtg, Abw	1
▲▽	14 9021131	(10995399-20000000)	Tank Kit, Battery Fill, Ci [W/ Pump]	1
▲▲	15 1224600	(10000000-20000000)	Cap, Snap, 2.17d [Blue]	1
▲▲	16 1224988	(10000000-20000000)	Label, Automated Battery Watering	1
▲▲	17 1233633	(10000000-20000000)	Label, Detgt [Do Not Add]	1
▲▲	18 630146	(10000000-20000000)	Fitting, Plug, Pm06, Hdpe	1
▲▲	19 1231338	(10995399-20000000)	Grommet, Pump	1
▲▲	20 1231018	(10995399-20000000)	Pump, In- Tank, 13.5vdc 3.5lpm	1
▲	21 1020168	(10000000-20000000)	Molding, Afmkt, Trim, Pvc, .08 .11, 01ft	1
▲	22 1064191	(10000000-20000000)	Boot, Circuitbreaker	1
▲	23 1064187	(10000000-20000000)	Circuitbreaker, 10.0a, Resetable	1

\* Requires Tennant *True* service or an authorized Tennant service provider.

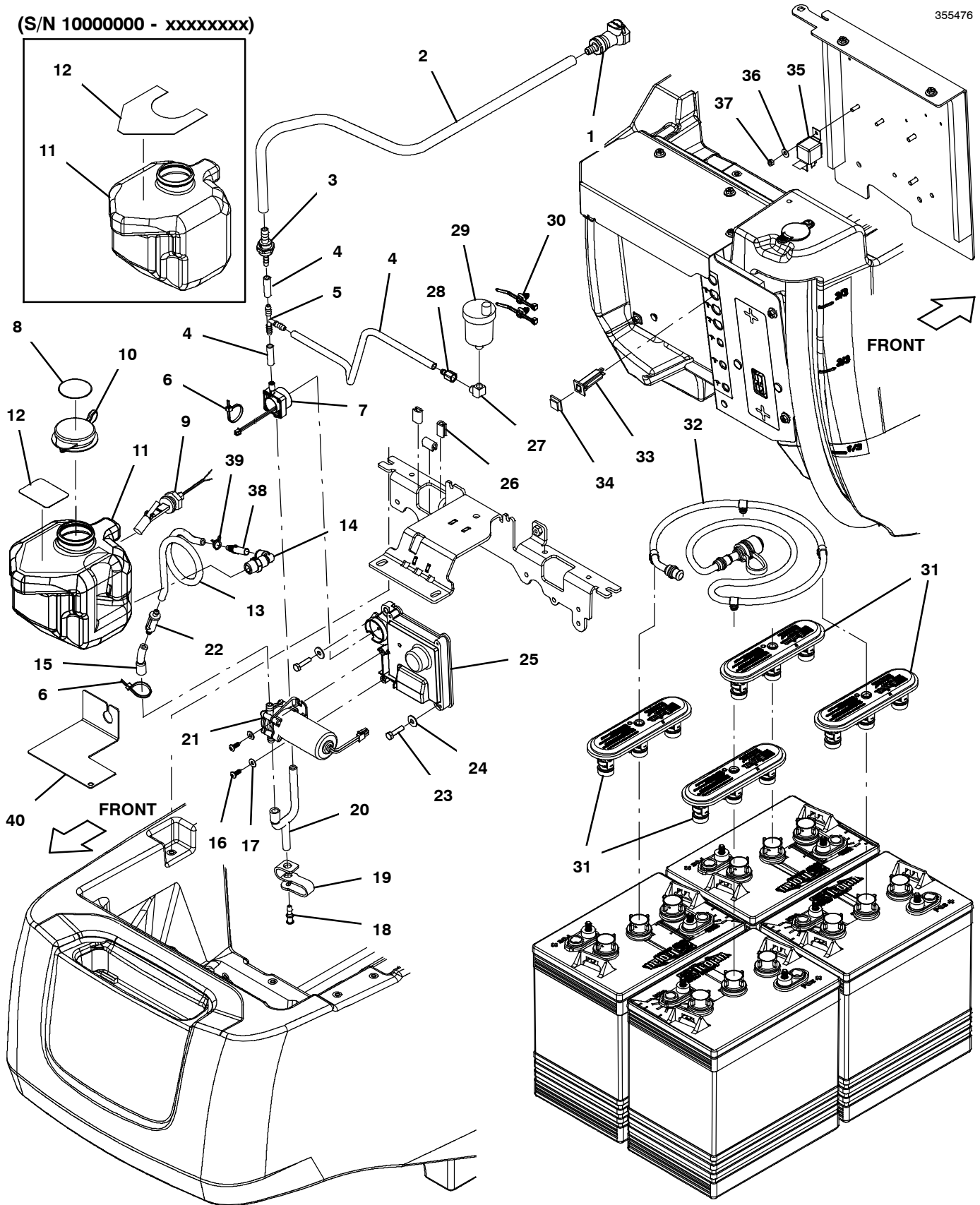
▽ ASSEMBLY

▲ INCLUDED IN ASSEMBLY

**SMART-FILL AUTOMATIC BATTERY WATERING SYSTEM  
(S/N 10000000 - 10995398)**

(S/N 10000000 - xxxxxxxx)

355476



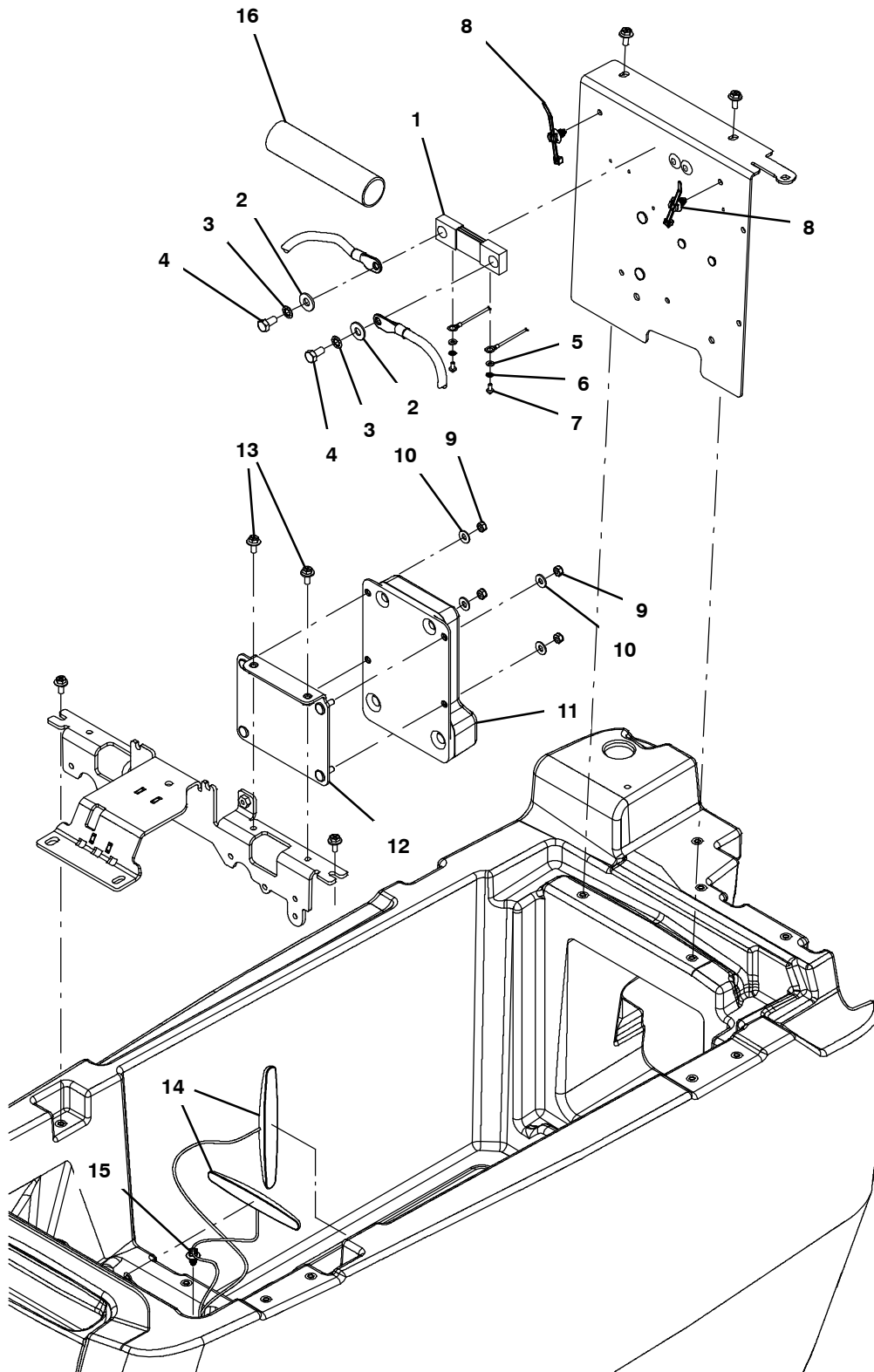
**SMART-FILL AUTOMATIC BATTERY WATERING SYSTEM  
(S/N 10000000 - 10995398)**

Ref.	Part No.	Serial Number	Description	Qty.
1	1221589	(10000000- 10995398 )	Fitting, Plstc, Str, Bm06, Cplg, Fem[HI]	1
2	1006416	(10000000- 10995398 )	Hose, Afrmkt, Pvc, Clr, 0.38id, 03ft	1
3	1225185	(10000000- 10995398 )	Valve, Check, 0002psi Bm04/Bm06	1
4	1006415	(10000000- 10995398 )	Hose, Afrmkt, Pvc, Clr, 0.25id, 03ft	1
5	150713	(10000000- 10995398 )	Fitting, Plstc, Tee, Bm04/Bm04/Bm04	1
6	130773	(10000000- 20000000 )	Tie, Cable, Nyl, 11.0l, .14w, 3.0 Max. D	2
7	1222371	(10000000- 10995398 )	Sensor, Flow, Hall Effect, 5- 24vdc	1
8	1224988	(10000000- 20000000 )	Label, Automated Battery Watering	1
9	1212430	(10000000- 10995398 )	Sensor, Level, Liq, 30watt, Spst	1
10	1224600	(10000000- 20000000 )	Cap, Snap, 2.17d [Blue]	1
11	1252606	(xxxxxxx- 20000000 )	Tank, 2.3l, Trimmed, Se	1
11	1217453	(10000000- xxxxxxxx )	Tank [2.5 Liter] (Replaced By 1252606)	1
12	1233633	(xxxxxxx- 20000000 )	Label, Detgt [Do Not Add]	1
12	1228813	(10000000- xxxxxxxx )	Label, Warning, No Detgt (Replaced By 1233633)	1
13	1006415	(10000000- 10995398 )	Hose, Afrmkt, Pvc, Clr, 0.25id, 03ft	1
14	1212812	(10000000- 10995398 )	Fitting, Plstc, E90, Qf06/Pm06, Swivel	1
15	1224108	(10000000- 10995398 )	Hose, Mold, Bm04/Bm06	1
16	1018155	(10000000- 20000000 )	Screw, Pan, Phl, M5 X 0.80 X 16, Tcut, Ss	2
17	01683	(10000000- 20000000 )	Washer, Flat, 10, Ss	2
18	1228042	(10000000- 10995398 )	Fitting, Plstc, Cap, Bm03 [T500]	1
19	1228043	(10000000- 10995398 )	Strap, Retaining, Cap [T500]	1
20	1224016	(10000000- 10995398 )	Hose, Molded, Bm04/Bm06	1
21	1220042	(10000000- 10995398 )	Pump, Fill, Battery	1
22	1222924	(10000000- 10995398 )	Filter, In- Line, Bm04/Bm04, 100mic, 2.0l	1
23	1016005	(10000000- 20000000 )	Screw, Hex, M6 X 1.00 X 25, NI, FI, Ss	2
24	01684	(10000000- 20000000 )	Washer, Flat, 0.27b 0.69d .05, Ss	2
25	9018008*	(10000000- 10995398 )	Kit, Module, Abw, Ci (See Breakdowns) (Replaced By 9016770)	1
26	1020168	(10000000- 20000000 )	Molding, Afrmkt, Trim, Pvc, .08 .11, 01ft	1
27	150407	(10000000- 10995398 )	Fitting, Brs, E90, Pf02/Pm02 [Street]	1
28	1040254	(10000000- 10995398 )	Fitting, Brs, Str, Bm04/Pf02	1
29	1017386	(10000000- 10995398 )	Valve, Vent, Air, Float Type	1
30	1210807	(10000000- 10995398 )	Wire, Tie [W/.25" Fir Tree Clip]	2
31	1204142	(10000000- 10995398 )	Cap, Fill, Battery [Trojan]	4
32	1229544	(10000000- 10995398 )	Tube, Water, Battery, 24vdc [Trojan]	1
33	1064187	(10000000- 20000000 )	Circuitbreaker, 10.0a, Resetable	1
34	1064191	(10000000- 20000000 )	Boot, Circuitbreaker	1
35	1228510	(10000000- 20000000 )	Relay, 24vdc, 80a, Spst No, Plug- In	1
36	01683	(10000000- 20000000 )	Washer, Flat, 10, Ss	1
37	09739	(10000000- 20000000 )	Nut, Hex, Lock, M5 X 0.80, NI, Ss	1
38	1212857	(10000000- 10995398 )	Fitting, Plstc, Str, Qm06/Bm04	1
39	613735	(10000000- 10995398 )	Clamp, Hose, Wir, .40 - .42, Yel	1
40	1243106	(10000000- 10995398 )	Plate, Shield, Switch	1

\* Requires Tennant *True* service or an authorized Tennant service provider.

ELECTRICAL GROUP, TELEMETRY

355466



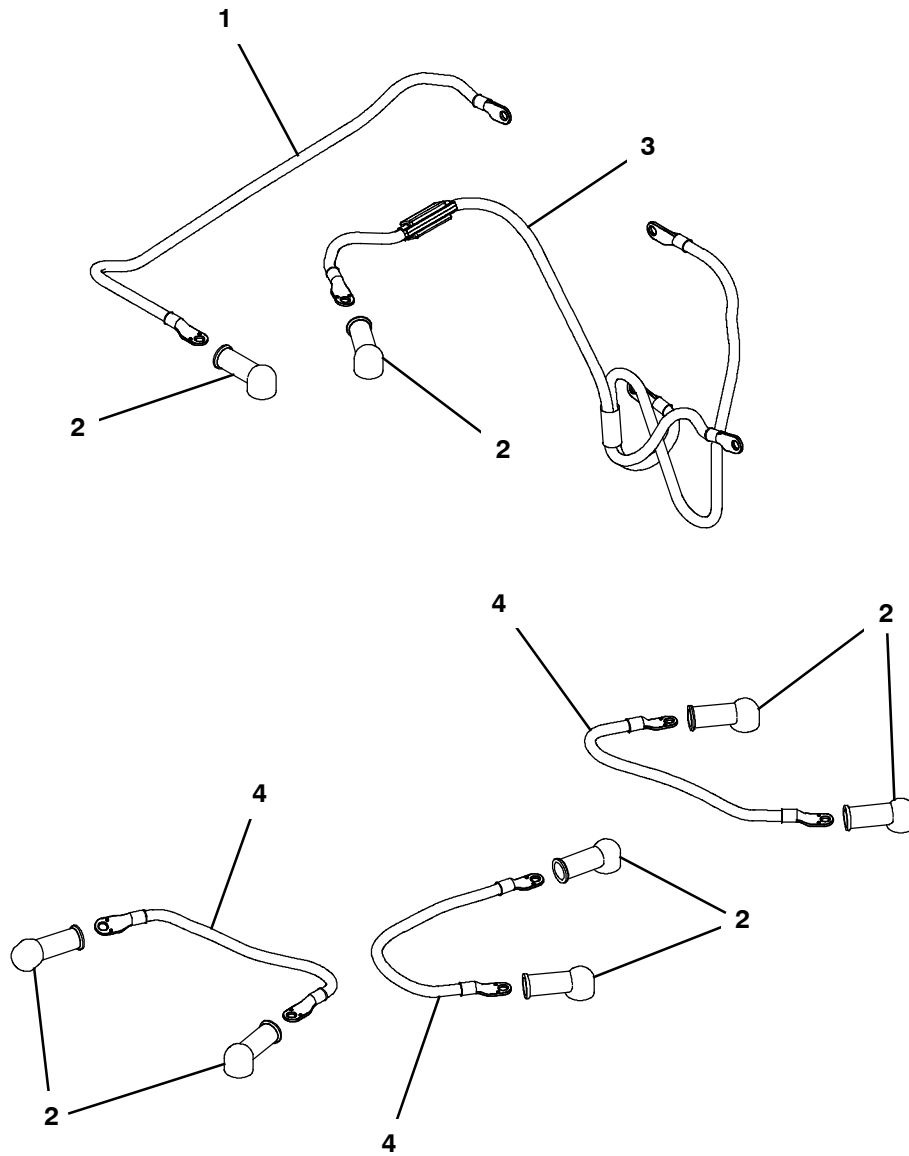


**ELECTRICAL GROUP, TELEMETRY**

Ref.	Part No.	Serial Number	Description	Qty.
1	1217304	(10000000- 20000000 )	Shunt [Empro, 250amp/50mv, Metric]	1
2	01685	(10000000- 20000000 )	Washer, Flat, 0.38b 0.88d .08, Ss	2
3	43952	(10000000- 20000000 )	Washer, Lock, Int, 0.31, Ss	2
4	15675	(10000000- 20000000 )	Screw, Hex, M8 X 1.25 X 16, Ss	2
5	41578	(10000000- 20000000 )	Washer, Flat, 06, Ss	2
6	02938	(10000000- 20000000 )	Washer, Lock, Int, 08, Ss	2
7	391403	(10000000- 20000000 )	Screw, Pan, Phl, M4 X 0.70 X 8, Ss	2
8	1210807	(10000000- 20000000 )	Wire, Tie [W/.25" Fir Tree Clip]	2
9	08712	(10000000- 20000000 )	Nut, Hex, Lock, M6 X 1.00, NI, Ss	4
10	32483	(10000000- 20000000 )	Washer, Flat, 0.25, Sae	4
11	9010085	(10000000- 20000000 )	Control Box Assy Kit, Replmt, Telem[Usa]	1
12	1225123	(10000000- 20000000 )	Bracket Wldt, Control Box	1
13	1034731	(10000000- 20000000 )	Screw, Hex, M6 X 1.00 X 16, Sems, Ss	2
14	1247569	(10982289- 20000000 )	Antenna, Telem [4g, 36"]	2
14	315724	(10000000- 10982288 )	Antenna, Telem, 18.0 In [Gprs]	1
15	1210807	(10000000- 20000000 )	Wire, Tie [W/.25" Fir Tree Clip]	1
16	1217818	(10000000- 20000000 )	Sleeve, Heatshrink, 1.50id, 07.0l	1

BATTERY CABLES GROUP, TELEMETRY, AGM AND WET

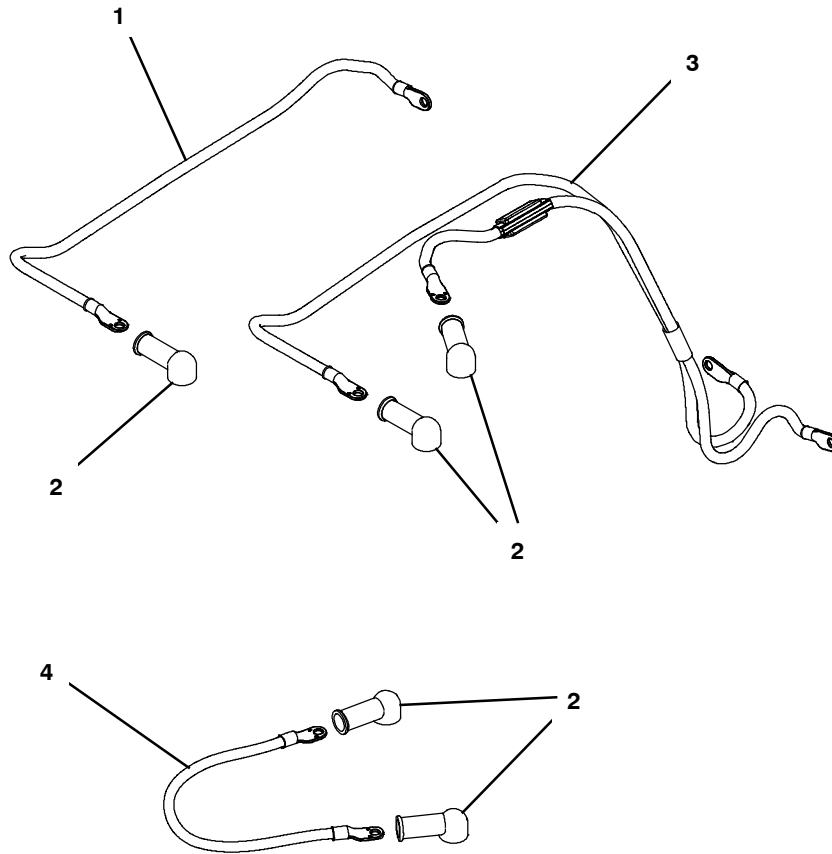
355464



Ref.	Part No.	Serial Number	Description	Qty.
1	1070498	(10000000-20000000 )	Cable, 4ga, Blk [6200e, Telemetry]	1
2	611221	(10000000-20000000 )	Boot, Terminal, Battery, 25.4mm, Blk	8
3	1074942	(10000000-20000000 )	Cable, Assy [T500,T500e]	1
4	1073680	(10000000-20000000 )	Cable, 04ga 15.0l Blk [M8 Ring/M8 Ring]	3

BATTERY CABLES GROUP, TELEMETRY, TPPL BATTERY

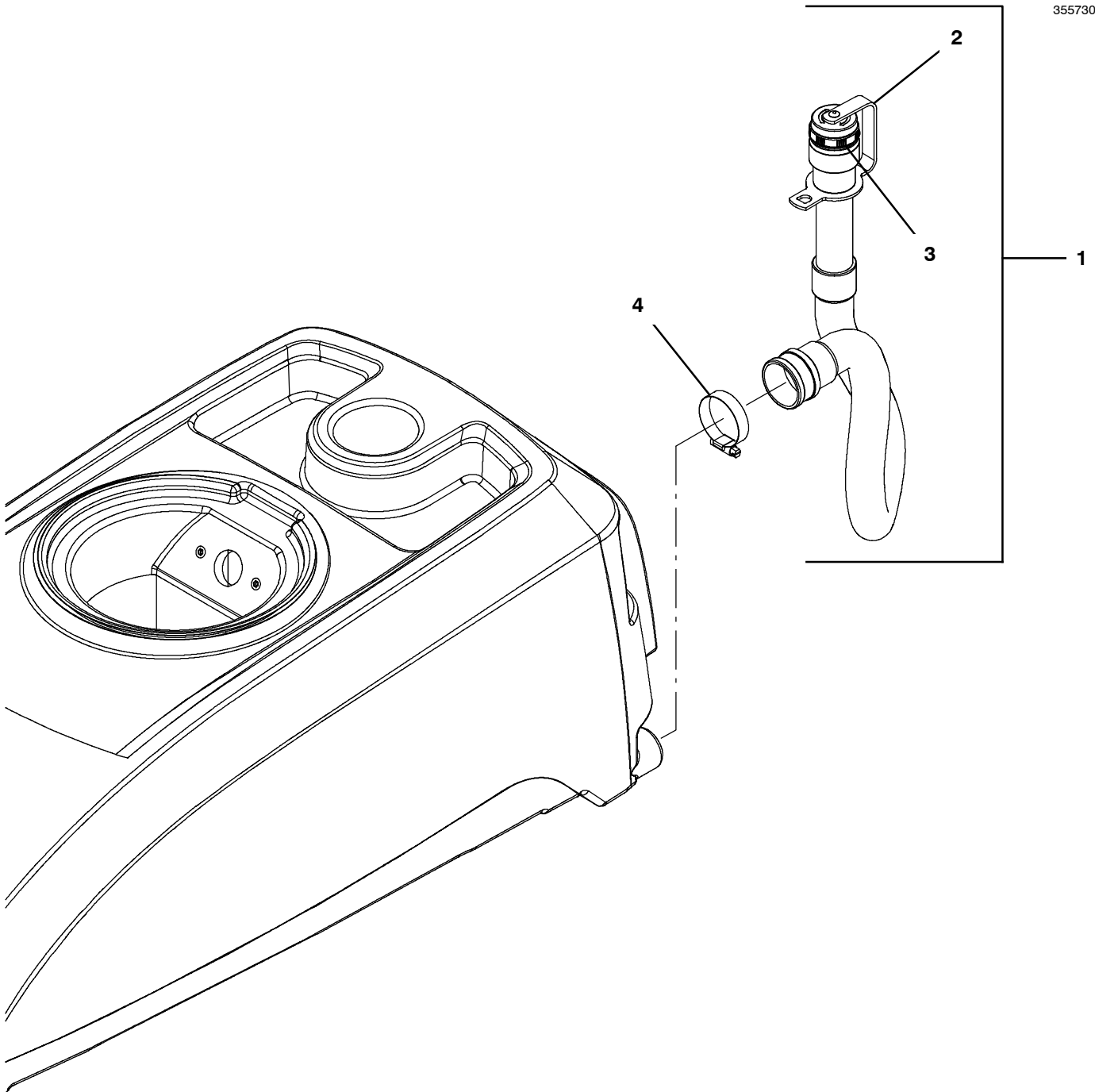
355809



Ref.	Part No.	Serial Number	Description	Qty.
1	1076928	(10000000-20000000 )	Cable,4ga 23.6l Blk, .31ring/.25ring	1
2	611221	(10000000-20000000 )	Boot, Terminal, Battery, 25.4mm, Blk	5
3	1076935	(10000000-20000000 )	Cable, Assy .31ring/.25ring[T500e,Shunt]	1
4	1076929	(10000000-20000000 )	Cable, 04ga 15.0l Blk, .25ring/.25ring	1

PINCH CUFF SCREW CAP DRAIN HOSE GROUP

355730



**PINCH CUFF SCREW CAP DRAIN HOSE GROUP**

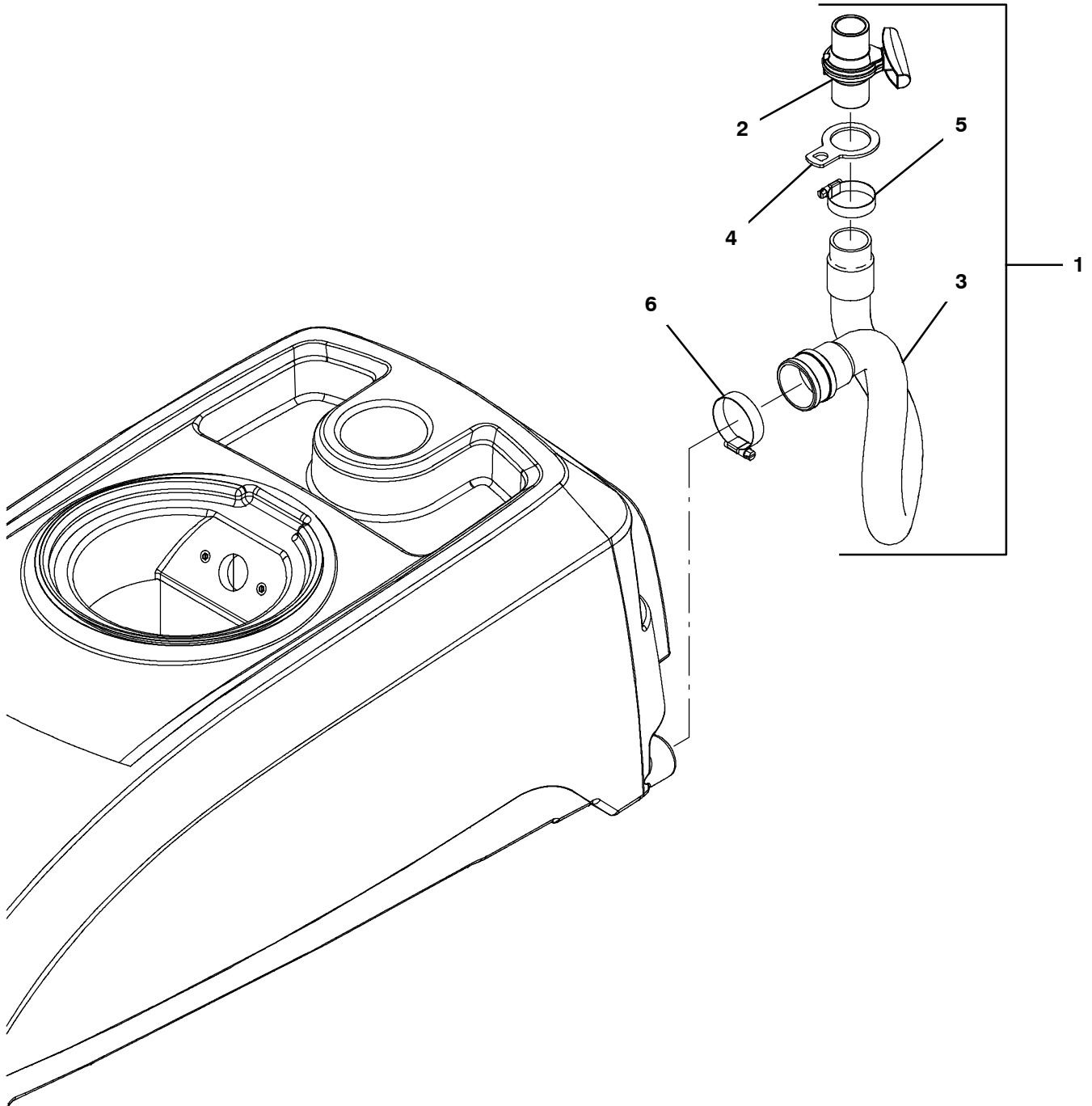
	<b>Ref.</b>	<b>Part No.</b>	<b>Serial Number</b>	<b>Description</b>	<b>Qty.</b>
▽	1	1247144	(10951746- 10972171 )	Hose Assy, Drain, 1.5id X 21.0l [Pu] (Gray) (No Longer Available - Replaced by 1248221 Black PVC)	1
▲▽	2	1247319	(10951746- 10972171 )	Cap, Drain Assy, D- Ring [Gray] (No Longer Available - Replaced by 1248221 Black PVC)	1
▲▲	3	1008637	(10000000- 20000000 )	Seal, Org, 1.48id 1.76od	1
	4	22297	(10000000- 20000000 )	Clamp, Hose, Wormdrive, 1.56- 2.50d, .50w	1

▽ ASSEMBLY

▲ INCLUDED IN ASSEMBLY

CONTROL VALVE DRAIN HOSE GROUP

355494



**CONTROL VALVE DRAIN HOSE GROUP**

	<b>Ref.</b>	<b>Part No.</b>	<b>Serial Number</b>	<b>Description</b>	<b>Qty.</b>
▽	1	9015727	(10000000- 10951745 )	Hose Kit, Drain, Pu, W/ Valve, Ci[T500e] (Gray) (No Longer Available - Replaced by 1248221 Black PVC Pinch Cuff Screw Cap Style)	1
▲	2	1051986	(10000000- 10951745 )	Valve, Ball, 2way, 1.0id Pvc, W/Handle (No Longer Available - Replaced by 1248221 Black PVC Pinch Cuff Screw Cap Style)	1
▲	3	1228335	(10000000- 10951745 )	Hose Assy, W/2cuff,1.5d 022l 2.0/1.5[Pu] (Gray)	1
▲	4	1229567	(10000000- 10951745 )	Strap, Hanger	1
▲	5	11531	(10000000- 10951745 )	Clamp, Hose, Wormdrive, 1.06- 2.00d, .56w	1
	6	22297	(10000000- 20000000 )	Clamp, Hose, Wormdrive, 1.56- 2.50d, .50w	1

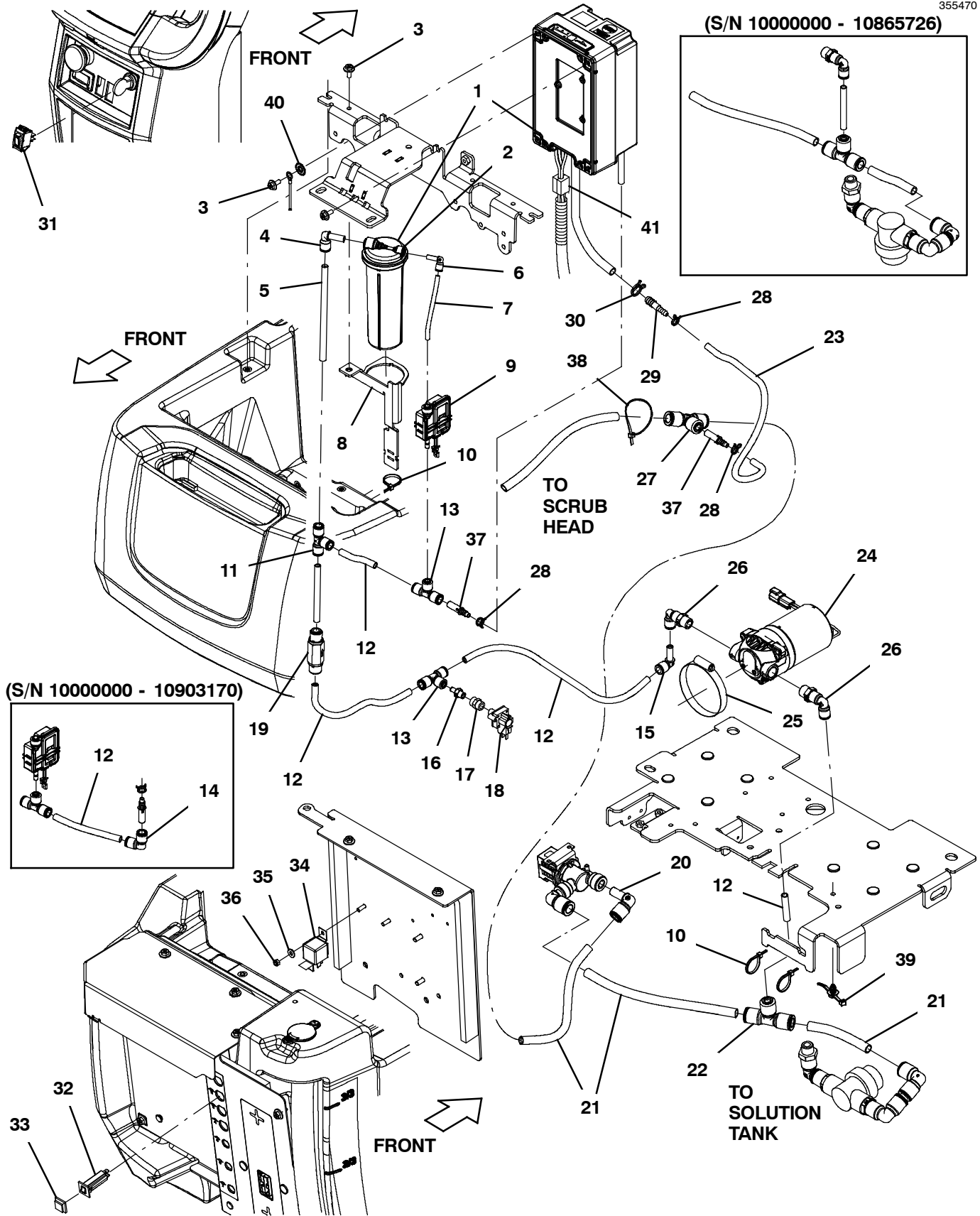
▽ ASSEMBLY

▲ INCLUDED IN ASSEMBLY

ec-H2O SOLUTION GROUP

355470

(S/N 1000000 - 10865726)





ec-H2O SOLUTION GROUP

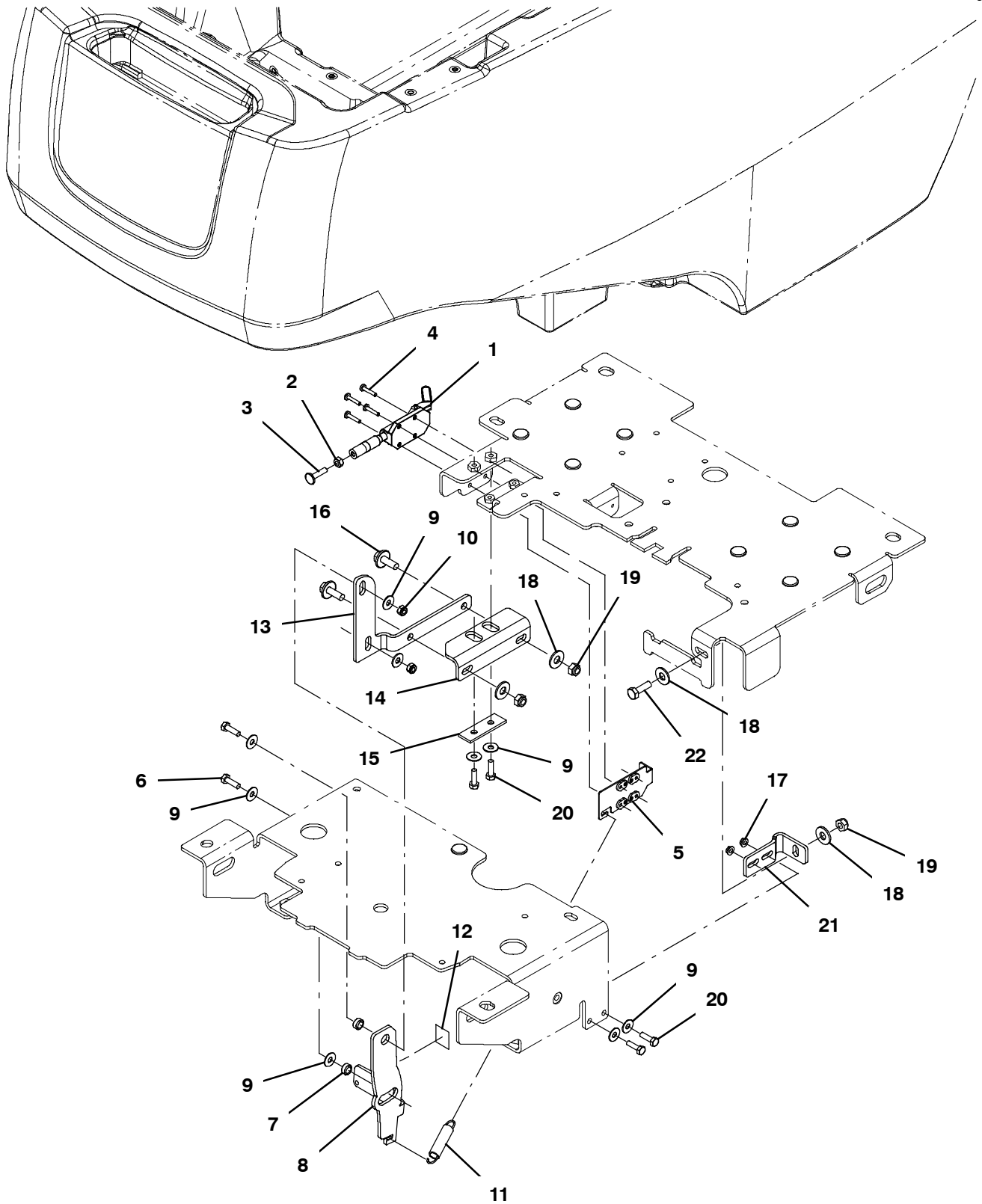
Ref.	Part No.	Serial Number	Description	Qty.
▽	1	9021553	(SEP2022- 20000000 ) Module Kit, Replmt [Ec- H2o, B 02] (Includes ec- H2O NanoClean Cartridge)	1
▽	1	9020643	(10983853- AUG2022 ) Module Kit, Replmt [Ec- H2o, B 02] (Canada Also Requires Ferrite) (Replaced By 9021553)	1
▽	1	9011810	(10000000- 10983852 ) Module Kit, Replmt [Ec- H2o, B 02] (See Breakdowns) (Canada Also Requires Ferrite) (Replaced By 9021553)	1
▲	2	9013646	(10000000- 20000000 ) Cartridge, Ec- H2o Nanoclean Wcm, 270ml	1
	3	1034731	(10000000- 20000000 ) Screw, Hex, M6 X 1.00 X 16, Sems, Ss	4
	4	1215186	(10000000- 20000000 ) Fitting, Plstc, E90, Qf06/Qm06	1
	5	9014146	(10000000- 20000000 ) Hose, Afmkt, Pvc, 0.06id .38od, 05ft	1
	6	1214339	(10000000- 20000000 ) Fitting, Plstc, E90, Qfo4/Qm04	1
	7	9014147	(10000000- 20000000 ) Hose, Afmkt, Pvc, 0.06id .25od, 05ft	1
	8	1221926	(10000000- 20000000 ) Bracket Wldt, Mtg, Ec- H20 [T500]	1
	9	1216973	(10000000- 20000000 ) Pump Assy, Dispenser	1
	10	130773	(10000000- 20000000 ) Tie, Cable, Nyl, 11.0l, .14w, 3.0 Max. D	3
	11	1212573	(10000000- 20000000 ) Fitting, Plstc, Tee, Qf06/Qf06/Qf06	1
	12	9014148	(10000000- 20000000 ) Hose, Afmkt, Nat, 0.25id 0.375od, 06ft	1
	13	1212855	(10000000- 20000000 ) Fitting, Plstc, Tee, Qf04/Qf06/Qf06	2
	14	1212856	(10000000- 10903170 ) Fitting, Plstc, E90, Qf06/Qf06	1
	15	1215186	(10000000- 20000000 ) Fitting, Plstc, E90, Qf06/Qm06	1
	16	1216185	(10000000- 20000000 ) Fitting, Plstc, Str, Qm04/Pm02	1
	17	150307	(10000000- 20000000 ) Fitting, Brs, Cplg, Pf02/Pf02	1
	18	1044414	(10000000- 20000000 ) Switch, Press, 15psi, Pm02	1
	19	1215527	(10000000- 20000000 ) Valve, Check, 1.0 Psi Qf06/Qf06	1
	20	1212809	(10000000- 20000000 ) Fitting, Plstc, E90, Qf08/Qm08	1
	21	9014145	(10000000- 20000000 ) Hose, Afmkt, Pe, .375id .50od, 05ft	1
	22	1212875	(10000000- 20000000 ) Fitting, Plstc, Tee, Qf06/Qf08/Qf08	1
	23	1014985	(10000000- 20000000 ) Hose, Afmkt, Pvc, Clr, 0.25id, 08ft	1
	24	1210517	(10000000- 20000000 ) Pump, Soltn, Ele, 24vdc, 35 Psi	1
	25	43555	(10000000- 20000000 ) Clamp, Hose, Wormdrive, 2.62- 3.50d	1
	26	1212812	(10000000- 20000000 ) Fitting, Plstc, E90, Qf06/Pm06, Swivel	2
	27	1212875	(10000000- 20000000 ) Fitting, Plstc, Tee, Qf06/Qf08/Qf08	1
	28	613735	(10000000- 20000000 ) Clamp, Hose, Wir, .40 - .42, Yel	3
	29	1039557	(10000000- 20000000 ) Fitting, Plstc, Str, Bm04/Bm06	1
	30	607775	(10000000- 20000000 ) Clamp, Hose, Wir, .63 - .66, Blk	1
	31	1044393	(10000000- 20000000 ) Switch, Rocker, Spst, Mom	1
	32	1064187	(10000000- 20000000 ) Circuitbreaker, 10.0a, Resetable	1
	33	1064191	(10000000- 20000000 ) Boot, Circuitbreaker	1
	34	1228510	(10000000- 20000000 ) Relay, 24vdc, 80a, Spst No, Plug- In	1
	35	01683	(10000000- 20000000 ) Washer, Flat, 10, Ss	1
	36	09739	(10000000- 20000000 ) Nut, Hex, Lock, M5 X 0.80, NI, Ss	1
	37	1212857	(10000000- 20000000 ) Fitting, Plstc, Str, Qm06/Bm04	2
	38	130773	(10000000- 20000000 ) Tie, Cable, Nyl, 11.0l, .14w, 3.0 Max. D	1
	39	41140	(10000000- 20000000 ) Washer, Lock, Int- Ext, 0.25	1
	40	1210807	(10865727- 20000000 ) Wire, Tie [W/.25" Fir Tree Clip]	1
	41	1065665	(10000000- 20000000 ) Inductor, 32.3mml [Ferrite 10- 250mhz] (Canada Only)	1

▽ ASSEMBLY

▲ INCLUDED IN ASSEMBLY

PARKING BRAKE GROUP (S/N 11064202 - )

355941

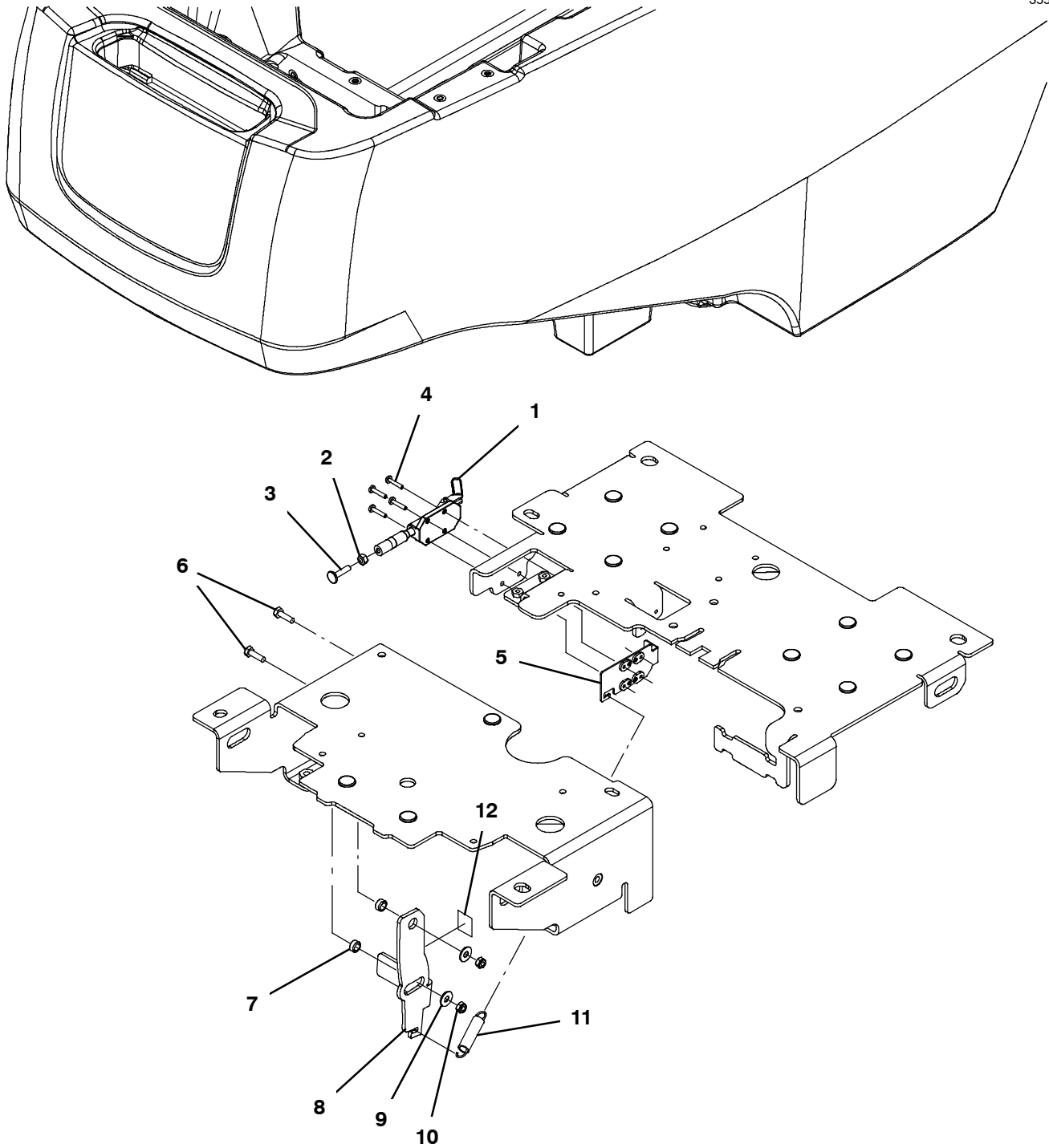


PARKING BRAKE GROUP (S/N 11064202 - )

Ref.	Part No.	Serial Number	Description	Qty.
1	1221694	(10000000- 20000000 )	Clamp, Brake, Parking [T500]	1
2	07785	(10000000- 20000000 )	Nut, Hex, Std, M6 X 1.00, Ss	1
3	1017416	(10000000- 20000000 )	Screw, Weld, M6 X 1.00 X 25, Thru, Ss	1
4	12323	(10000000- 20000000 )	Screw, Pan, Phl, M4 X 0.70 X 20, Ss	4
5	1221695	(10000000- 20000000 )	Plate Wldt, Brake [T500]	1
6	1040803	(11064202- 20000000 )	Screw, Hex, M6 X 1.00 X 30mm, Ss	2
7	360801	(10000000- 20000000 )	Sleeve, 0.32b 0.50d 0.3l, 2cham, Ss	2
8	1256643	(11064202- 20000000 )	Shoe, Brake, Parking	1
9	01684	(11064202- 20000000 )	Washer, Flat, 0.27b 0.69d .05, Ss	9
10	08712	(10000000- 20000000 )	Nut, Hex, Lock, M6 X 1.00, NI, Ss	2
11	75575	(10000000- 20000000 )	Spring, Extn, 0.50od 0.06wir 02.5l	1
12	1224990	(10000000- 20000000 )	Label, Opertnl, Parking Brake	1
13	1259657	(11064202- 20000000 )	Bracket, Spanning Vert [T500]	1
14	1259658	(11064202- 20000000 )	Bracket, Spanning Angle [T500]	1
15	1260051	(11064202- 20000000 )	Plate, Bracket, Spanning	1
16	1072628	(11064202- 20000000 )	Screw, Hex, M8 X 1.25 X 25, Ss, Sems	2
17	1040381	(11064202- 20000000 )	Nut, Hex, Flng, M6 X 1.0, Ss [Serrated]	2
18	01685	(11064202- 20000000 )	Washer, Flat, 0.38b 0.88d .08, Ss	4
19	08713	(11064202- 20000000 )	Nut, Hex, Lock, M8 X 1.25, NI, Ss	3
20	08716	(11064202- 20000000 )	Screw, Hex, M6 X 1.00 X 20, Ss	4
21	1256017	(11064202- 20000000 )	Bracket, Spanning [T500]	1
22	09010	(11064202- 20000000 )	Screw, Hex, M8 X 1.25 X 25, Ss	1

PARKING BRAKE GROUP (S/N 1000000 - 11064201)

355496

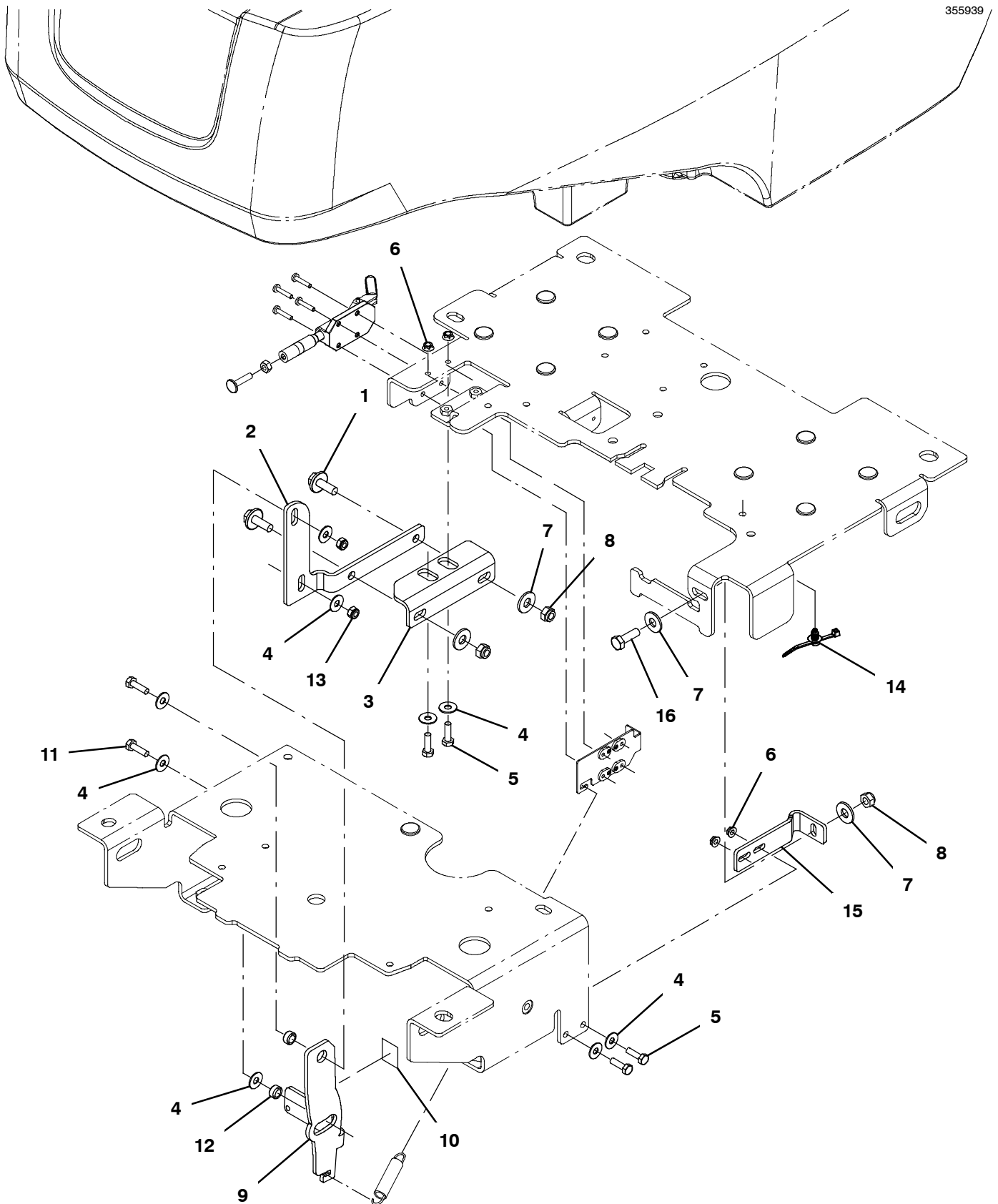


**PARKING BRAKE GROUP (S/N 10000000 - 11064201)**

<b>Ref.</b>	<b>Part No.</b>	<b>Serial Number</b>	<b>Description</b>	<b>Qty.</b>
1	1221694	(10000000- 20000000 )	Clamp, Brake, Parking [T500]	1
2	07785	(10000000- 20000000 )	Nut, Hex, Std, M6 X 1.00, Ss	1
3	1017416	(10000000- 20000000 )	Screw, Weld, M6 X 1.00 X 25, Thru, Ss	1
4	12323	(10000000- 20000000 )	Screw, Pan, Phl, M4 X 0.70 X 20, Ss	4
5	1221695	(10000000- 20000000 )	Plate Wldt, Brake [T500]	1
6	08716	(10000000- 11064201 )	Screw, Hex, M6 X 1.00 X 20, Ss	2
7	360801	(10000000- 20000000 )	Sleeve, 0.32b 0.50d 0.3l, 2cham, Ss	2
8	1221423	(10000000- 11064201 )	Shoe, Brake, Parking	1
9	01684	(10000000- 11064201 )	Washer, Flat, 0.27b 0.69d .05, Ss	2
10	08712	(10000000- 20000000 )	Nut, Hex, Lock, M6 X 1.00, NI, Ss	2
11	75575	(10000000- 20000000 )	Spring, Extn, 0.50od 0.06wir 02.5l	1
12	1224990	(10000000- 20000000 )	Label, Opertnl, Parking Brake	1

BRACKET KIT, SOLUTION TANK SUPPORT (S/N 1000000 - 11064201)

355939



**SOLUTION TANK SUPPORT BRACKET KIT (S/N 10000000 - 11064201)**

Ref.	Part No.	Serial Number	Description	Qty.
▽	9021792	(10000000- 11064201 )	Solution Tank Support Kit Afmkt [T500/E]	1
▲	1 1072628	(10000000- 11064201 )	Screw, Hex, M8 X 1.25 X 25, Ss, Sems	2
▲	2 1255979	(10000000- 11064201 )	Bracket, Spanning [T500]	1
▲	3 1255978	(10000000- 11064201 )	Bracket, Spanning [T500]	1
▲	4 01684	(10000000- 11064201 )	Washer, Flat, 0.27b 0.69d .05, Ss	9
▲	5 08716	(10000000- 11064201 )	Screw, Hex, M6 X 1.00 X 20, Ss	2
▲	6 1040381	(10000000- 11064201 )	Nut, Hex, Flng, M6 X 1.0, Ss [Serrated]	4
▲	7 01685	(10000000- 11064201 )	Washer, Flat, 0.38b 0.88d .08, Ss	4
▲	8 08713	(10000000- 11064201 )	Nut, Hex, Lock, M8 X 1.25, NI, Ss	3
▲	9 1256643	(10000000- 11064201 )	Shoe, Brake, Parking	1
▲	10 1224990	(10000000- 11064201 )	Label, Opertnl, Parking Brake	1
▲	11 1040803	(10000000- 11064201 )	Screw, Hex, M6 X 1.00 X 30mm, Ss	2
	12 360801	(10000000- 20000000 )	Sleeve, 0.32b 0.50d 0.3l, 2cham, Ss (Existing Part - Not Included In Upgrade Kit 9021792)	2
▲	13 08712	(10000000- 11064201 )	Nut, Hex, Lock, M6 X 1.00, NI, Ss	2
▲	14 1210807	(10000000- 11064201 )	Wire, Tie [W/.25" Fir Tree Clip]	1
▲	15 1256017	(10000000- 11064201 )	Bracket, Spanning [T500]	1
▲	15 1259835	(10000000- 11064201 )	Bracket, Spanning Old Frames [T500]	1
▲	16 09010	(10000000- 11064201 )	Screw, Hex, M8 X 1.25 X 25, Ss	1

▽ ASSEMBLY

▲ INCLUDED IN ASSEMBLY

# OPTIONS

---

## DOCUMENTATION GROUP (ONLINE ONLY)

Ref.	Part No.	Serial Number	Description	Qty.
	9015505	(10000000- 20000000 )	Manual, Parts [T500e, Na]	1
	9015506	(10000000- 20000000 )	Manual, Oprtr [T500e, En, Na/Intl]	1
	9015507	(10000000- 20000000 )	Manual, Oprtr [T500e, Es, Na]	1
	9015508	(10000000- 20000000 )	Manual, Oprtr [T500e, Fr, Na]	1
	9015509	(10000000- 20000000 )	Manual, Oprtr [T500e, Ptbr]	1
	9015510	(10000000- 20000000 )	Instr, Wall Chart [T500e, Na]	1
	9015511	(10000000- 20000000 )	Manual, Service [T500e, En]	1



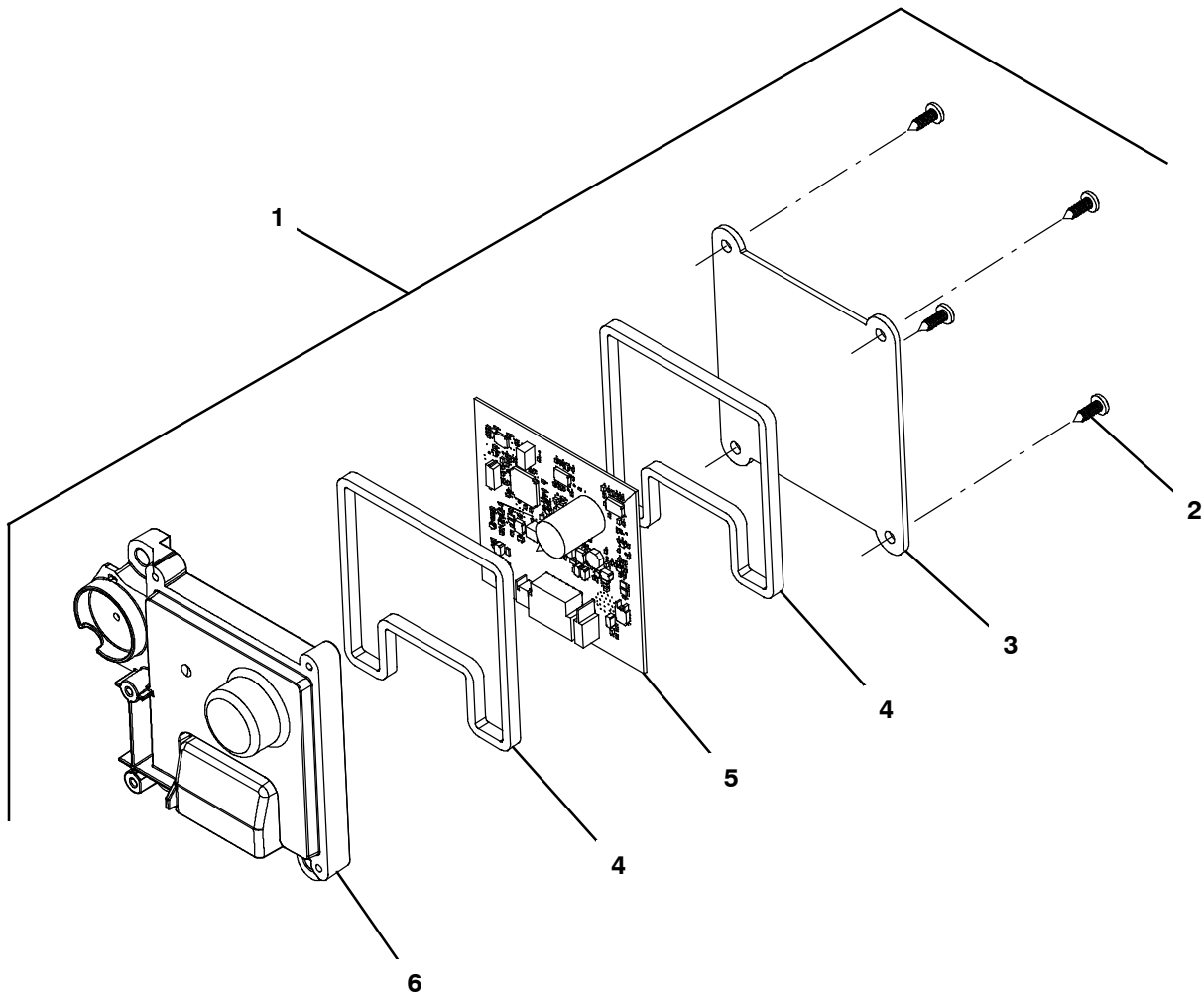
To view, print, order, download the latest Parts manual, other language Operator manuals, and Use and Care Guides (wall charts), visit:

[www.tennantco.com/manual](http://www.tennantco.com/manual)



AUTOMATIC BATTERY WATERING MODULE BREAKDOWN

355564



Ref.	Part No.	Serial Number	Description	Qty.
▽	1	9016770*	(10995399- 20000000 ) Controller Kit, Battery, 24vdc, Ci [Abw]	1
▽	1	9018008	(10000000- 10995398 ) Kit, Module, Abw, Ci (Replaced By 9016770)	1
▲	2	1018155	(10000000- 20000000 ) Screw, Pan, Phl, M5 X 0.80 X 16, Tcut,Ss	4
▲	3	1223055	(10000000- 20000000 ) Panel, Mtg, Fill, Auto, Battery	1
▲	4	1223286	(10000000- 20000000 ) Seal, Cover, Board, Battery Watering	2
▲	5	1220931	(10000000- 20000000 ) Circuitboard Assy [Abw Module]	1
▲	6	1223261	(10000000- 20000000 ) Cover, Circuitboard, Battery Watering	1

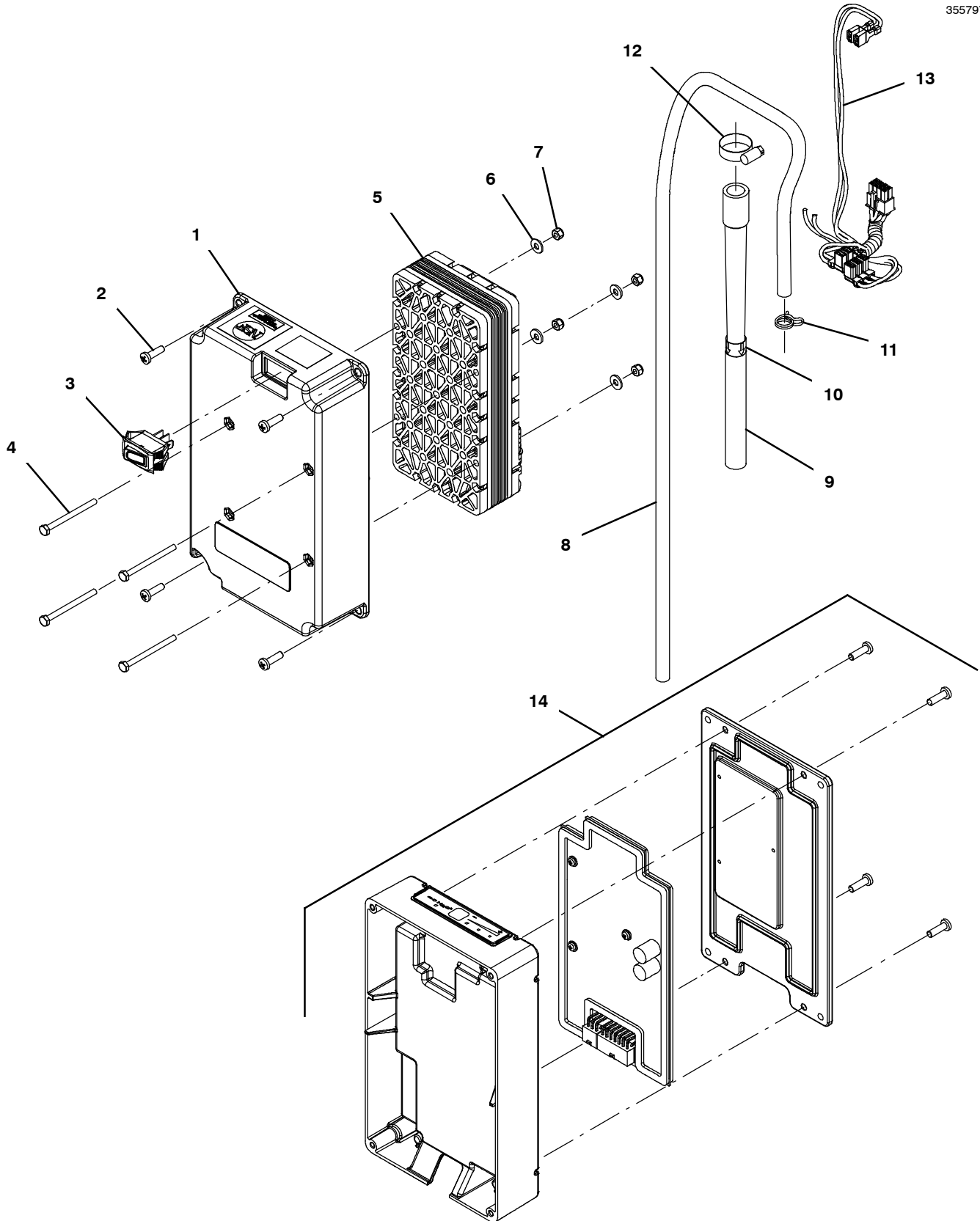
\* Requires Tennant *True* service or an authorized Tennant service provider.

▽ ASSEMBLY

▲ INCLUDED IN ASSEMBLY

ec- H2O NANOCLEAN MODULE BREAKDOWN 9020643, 9021553  
(S/N 10983853 - )

355797



**ec- H2O NANOCLEAN MODULE BREAKDOWN 9020643, 9021553  
(S/N 10983853 - )**

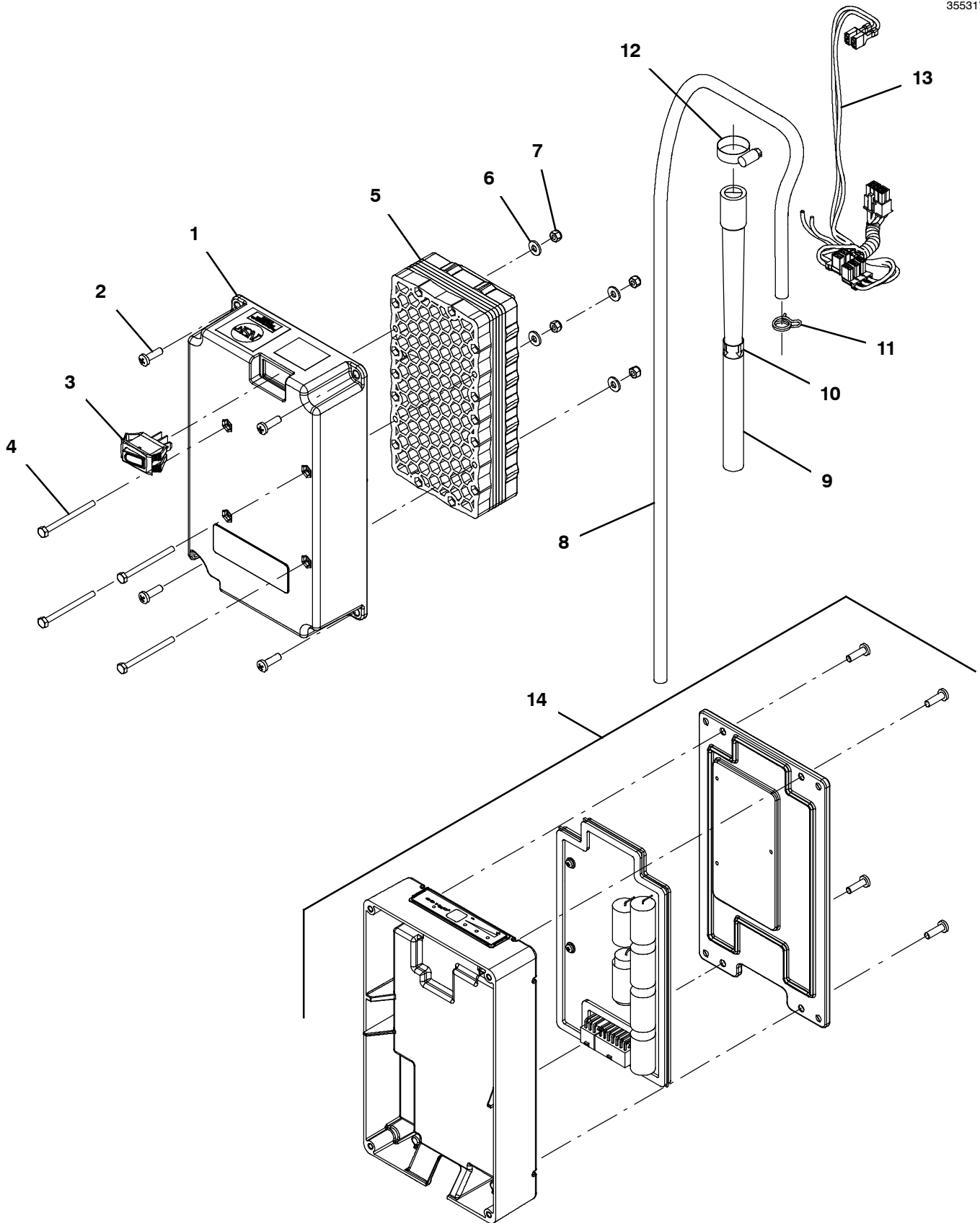
	<b>Ref.</b>	<b>Part No.</b>	<b>Serial Number</b>	<b>Description</b>	<b>Qty.</b>
▽		9021553	(SEP2022- 20000000 )	Module Kit, Replmt [Ec- H2o, B 02] (Includes ec- H2O NanoClean Cartridge)	1
▽		9020643	(10983853- AUG2022 )	Module Kit, Replmt [Ec- H2o, B 02] (Replaced By 9021553) (Includes ec- H2O NanoClean Cartridge)	1
▲▽		9014126	(10000000- 20000000 )	Ec- H2o Nc Kit [Module B, Plumbing]	1
▲▲	1	1208823	(10000000- 20000000 )	Housing, Module, Upper, Ec- H2o	1
▲▲	2	1015506	(10000000- 20000000 )	Screw, Pan, Phl, M5 X 16, Tcut [Plastic]	4
▲▲	3	1044393	(10000000- 20000000 )	Switch, Rocker, Spst, Mom	1
▲▲	4	32509	(10000000- 20000000 )	Screw, Hex, M4 X 0.70 X 50, Ss	4
▲▲	5	1233516	(10983853- 20000000 )	Electrode, 5 Plate [De Nora Tech]	1
▲▲	6	41579	(10000000- 20000000 )	Washer, Flat, 08, Ss	4
▲▲	7	33932	(10000000- 20000000 )	Nut, Hex, Lock, M4 X 0.70, NI, Ss	4
▲▲	8	1006415	(10000000- 20000000 )	Hose, Afrmkt, Pvc, Clr, 0.25id, 03ft	1
▲▲	9	1208526	(10000000- 20000000 )	Hose, Molded, Bm08/Bm06	1
▲▲	10	1049637	(10000000- 20000000 )	Label, Direction [Ec- H2o]	1
▲▲	11	613735	(10000000- 20000000 )	Clamp, Hose, Wir, .40 - .42, Yel	1
▲▲	12	54333	(10000000- 20000000 )	Clamp, Hose, Wormdrive, 0.31- 0.88d, .31w	1
▲▲	13	1073286	(10000000- 20000000 )	Harness, Ele, Module B2 [Ec- H2o]	1
▲	14	9020642	(10983853- 20000000 )	Controller Kit, Replmt [Ec- H2o Nc] (Includes ec- H2O NanoClean Cartridge)	1

▽ ASSEMBLY

▲ INCLUDED IN ASSEMBLY

ec- H2O NANOCLEAN MODULE BREAKDOWN 9011810  
(S/N 10000000 - 10983852)

355317



**ec- H2O NANOCLEAN MODULE BREAKDOWN 9011810  
(S/N 10000000 - 10983852)**

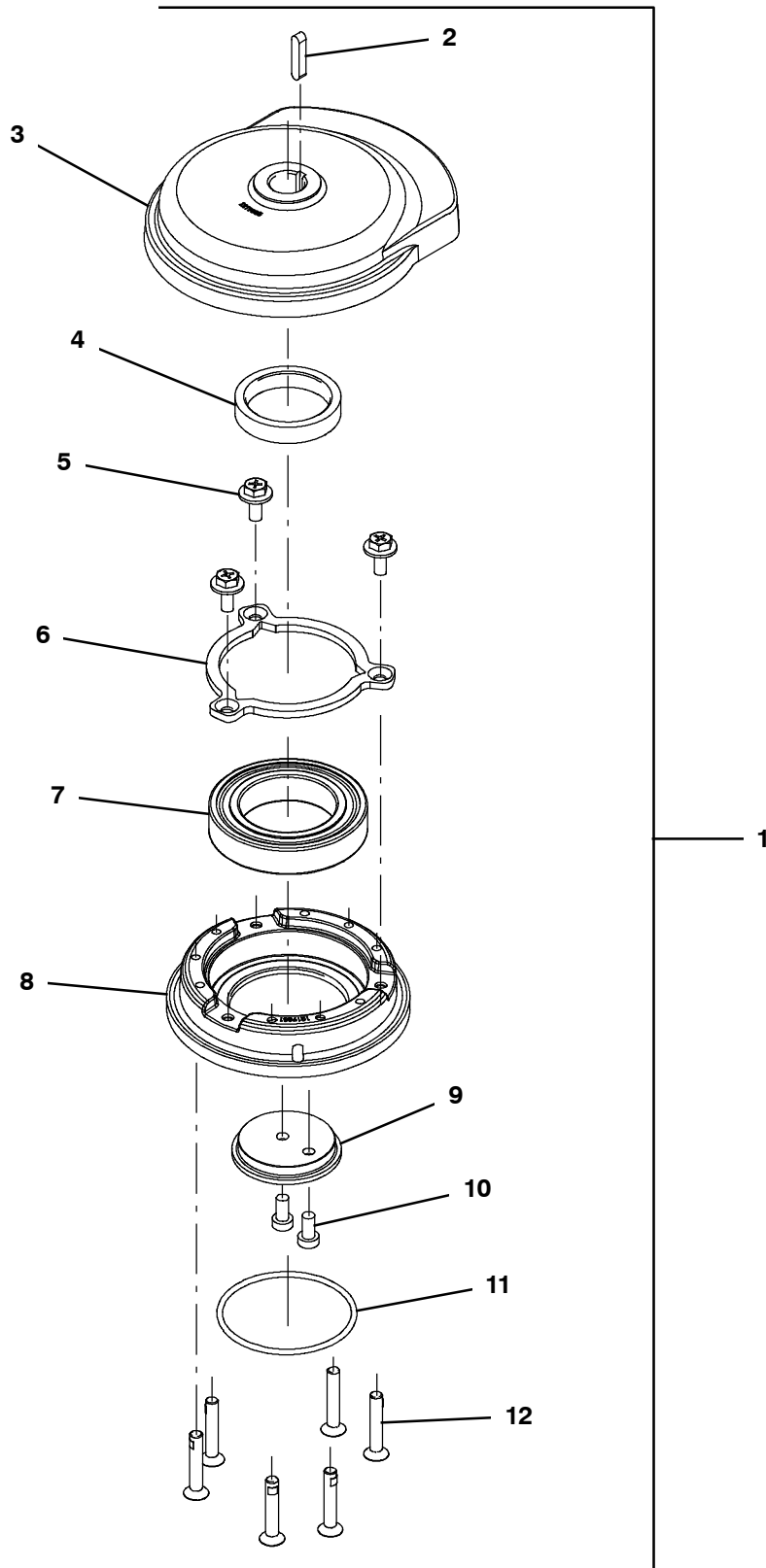
	<b>Ref.</b>	<b>Part No.</b>	<b>Serial Number</b>	<b>Description</b>	<b>Qty.</b>
▽		9011810	(10000000- 10983852 )	Module Kit, Replmt [Ec- H2o, B 02] (Includes ec- H2O NanoClean Cartridge) (Replaced By 9021553)	1
▲▽		9014126	(10000000- 20000000 )	Ec- H2o Nc Kit [Module B, Plumbing]	1
▲▲	1	1208823	(10000000- 20000000 )	Housing, Module, Upper, Ec- H2o	1
▲▲	2	1015506	(10000000- 20000000 )	Screw, Pan, Phl, M5 X 16, Tcut [Plastic]	4
▲▲	3	1044393	(10000000- 20000000 )	Switch, Rocker, Spst, Mom	1
▲▲	4	32509	(10000000- 20000000 )	Screw, Hex, M4 X 0.70 X 50, Ss	4
▲▲	5	1208164	(10000000- 10983852 )	Electrode, 5 Plate, High Flow (Replaced By 1233516)	1
▲▲	6	41579	(10000000- 20000000 )	Washer, Flat, 08, Ss	4
▲▲	7	33932	(10000000- 20000000 )	Nut, Hex, Lock, M4 X 0.70, NI, Ss	4
▲▲	8	1006415	(10000000- 20000000 )	Hose, Afrmkt, Pvc, Clr, 0.25id, 03ft	1
▲▲	9	1208526	(10000000- 20000000 )	Hose, Molded, Bm08/Bm06	1
▲▲	10	1049637	(10000000- 20000000 )	Label, Direction [Ec- H2o]	1
▲▲	11	613735	(10000000- 20000000 )	Clamp, Hose, Wir, .40 - .42, Yel	1
▲▲	12	54333	(10000000- 20000000 )	Clamp, Hose, Wormdrive, 0.31- 0.88d, .31w	1
▲▲	13	1073286	(10000000- 20000000 )	Harness, Ele, Module B2 [Ec- H2o]	1
▲	14	9014127	(10000000- 10983852 )	Controller Kit, Replmt [Ec- H2o Nc] (Includes ec- H2O NanoClean Cartridge) (Replaced By 9020642)	1

▽ ASSEMBLY

▲ INCLUDED IN ASSEMBLY

ORBITAL HEAD ECCENTRIC DRIVE BREAKDOWN

355477



**ORBITAL HEAD ECCENTRIC DRIVE BREAKDOWN**

	<b>Ref.</b>	<b>Part No.</b>	<b>Serial Number</b>	<b>Description</b>	<b>Qty.</b>
▽	1	9015774	(10000000- 20000000 )	Eccentric Drive Kit, Orbital	1
▲	2	1231238	(10000000- 20000000 )	Key, Sq, 5mm X 5mm X 22mm	1
▲	3	N/A	(10000000- 20000000 )	Balance, Eccentric, Step [Machined]	1
▲	4	N/A	(10000000- 20000000 )	Spacer, Eccentric	1
▲	5	N/A	(10000000- 20000000 )	Screw, Hex, M6 X 1.00 X 16, Sems	3
▲	6	N/A	(10000000- 20000000 )	Plate, Retainer, Brg, Outer	1
▲	7	1220452	(10000000- 20000000 )	Bearing, Ball, 2.17b 3.54d .71w	1
▲	8	N/A	(10000000- 20000000 )	Housing, Bearing, Outer [Machined]	1
▲	9	N/A	(10000000- 20000000 )	Retainer, Bearing, Inner [Qpq]	1
▲	10	N/A	(10000000- 20000000 )	Screw, Soc, M6 X 1.00 X 12, 8.8, Low	2
▲	11	1221394	(10000000- 20000000 )	Seal, Org, .125 X 02.63id	1
▲	12	1212710	(10000000- 20000000 )	Screw, Flt, Soc, M6 X 1.00 X 35, 10.9,NI	6

▽ ASSEMBLY

▲ INCLUDED IN ASSEMBLY