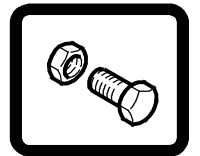




T500

Walk-Behind Floor Scrubber

Parts Manual



(S/N 10000000-20000000)



Hygenic[®] Fully Cleanable Recovery Tank
Tennant *True*[®] Parts
IRIS[®] a Tennant Technology
Pro-Panel[®] Controls
Insta-Fit[™] Adapter
Smart-Fill[™] Automatic Battery Watering



North America / International

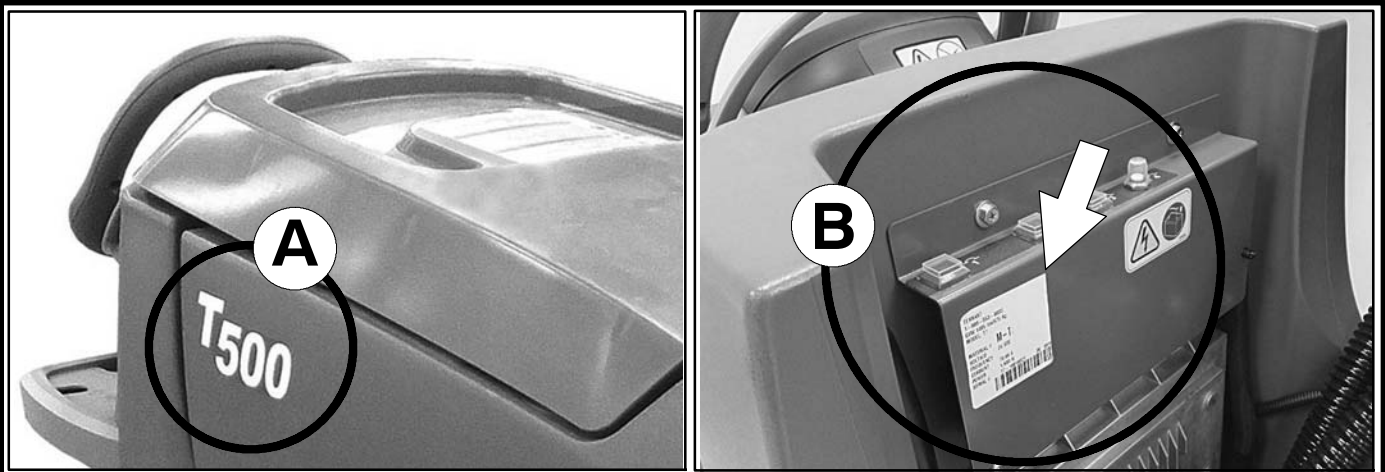


For the latest Parts manuals and other language Operator manuals, visit:

www.tennantco.com/manuals

9015222
Rev. 09 (11-2023)





Ref	Part No.	Serial Number	Description	Qty.
1	82681	(000000-)	Bracket Wldt, Lpg Mount	1
∇ 2	63810	(000000-)	Latch Assy, Lpg Tank Mtg, W/Nut	4
▲ 3	51839	(000000-)	Nut Adjustable, Lpg Tank Mtg	2
4	49263	(000000-)	Tie, Cable	3
(D)	82556	(000000- 001039)	Bracket, Vaporizer	1
	54930	(000000-)	Vaporizer, LPG	1

HOW TO ORDER PARTS - See diagram above

Only use TENNANT Company supplied or equivalent parts. Parts and supplies may be ordered online, by phone, by fax or by mail.

Follow the steps below to ensure prompt delivery.

1. (A) Identify the machine model.
2. (B) Identify the machine serial number from the data label.
3. (C) Ensure the proper serial number is used from the parts list.
4. Identify the part number and quantity.
Do not order by page or reference numbers.
5. Provide your name, company name, customer ID number, billing and shipping address, phone number and purchase order number.
6. Provide detail shipping instructions.

- (D) ∇ - identifies an assembly
▲ - identifies parts included in assembly

Please fill out at time of installation for future reference.

Model No. - _____

Serial No. - _____

Machine Options - _____

Sales Rep. - _____

Sales Rep. phone no. - _____

Customer ID Number - _____

Installation Date - _____

Tennant Company
 10400 Clean Street
 Eden Prairie, MN 55344- 2650 USA
 Phone: (800) 553- 8033
 www.tennantco.com

Specifications and parts are subject to change without notice.

Copyright © 2023 TENNANT Company, Printed in U.S.A.

ES	<p>CÓMO SOLICITAR PIEZAS - Consulte el diagrama anterior.</p> <p>Utilice sólo las piezas suministradas por TENNANT Company o piezas equivalentes. Puede solicitar las piezas a través de internet, por teléfono, por fax o por correo.</p> <p>Siga los siguientes pasos para que la entrega sea rápida.</p> <ol style="list-style-type: none"> 1. (A) Indique el modelo de máquina. 2. (B) Indique el número de serie de la etiqueta de datos. 3. (C) Asegúrese de que indica el número de serie correcto de la lista de piezas. 4. Indique la cantidad y el número de la pieza. No realice el pedido indicando el número de página o el de referencia. 5. Incluya su nombre, el nombre de la empresa, el ID de cliente, las direcciones de envío y facturación, el número de teléfono y el número del pedido de compra. 6. Facilite instrucciones de envío. <hr/> <p>(D) ▽ - identifica un conjunto ▲ - identifica piezas de un conjunto</p>	<p>Rellene estos datos cuando realice la instalación para utilizarlos como referencia en el futuro.</p> <p>Nº modelo - _____</p> <p>Nº serie - _____</p> <p>Opciones de la máquina - _____</p> <p>Vendedor - _____</p> <p>Nº teléfono vendedor - _____</p> <p>Nº cliente - _____</p> <p>Fecha de instalación - _____</p>
-----------	---	---

FR	<p>COMMENT COMMANDER DES PIÈCES DÉTACHÉES - Voir le schéma ci-dessus.</p> <p>Utilisez uniquement des pièces fournies par la société TENNANT ou équivalentes. Les pièces et fournitures peuvent être commandées en ligne, par téléphone, fax, ou par courrier.</p> <p>Suivez les étapes ci-dessous pour assurer une livraison rapide.</p> <ol style="list-style-type: none"> 1. (A) Identifiez le modèle de la machine. 2. (B) Identifiez le numéro de série de la machine, à partir de l'étiquette signalétique. 3. (C) Assurez-vous que le numéro de série correct est utilisé à partir de la liste de pièces détachées. 4. Identifiez le numéro de pièce et la quantité. Ne commandez pas par page ou numéros de référence. 5. Fournissez votre nom, le nom de votre société, votre numéro d'identification de client, l'adresse de facturation et d'expédition, le numéro de téléphone et le numéro du bon de commande. 6. Fournissez des instructions d'expédition détaillées. <hr/> <p>(D) ▽ - identifie un assemblage ▲ - identifie les pièces composant l'assemblage</p>	<p>A remplir au moment de l'installation à titre de référence.</p> <p>Nº du modèle - _____</p> <p>Nº de série - _____</p> <p>Options de la machine - _____</p> <p>Agent commercial - _____</p> <p>Nº tél. de l'agent commercial - _____</p> <p>Numéro d'identification client - _____</p> <p>Date d'installation - _____</p>
-----------	---	---

STANDARD PARTS

GENERAL RECOMMENDED MAINTENANCE ITEMS	7
REPLACEMENT BRUSHES AND PAD DRIVER DISK	10
REPLACEMENT BRUSHES CYLINDRICAL	12
REPLACEMENT PADS ORBITAL	13
SCRUB HEAD GROUP, DISK 650MM / 26IN ...	14
SCRUB HEAD GROUP, DISK 700MM / 28IN ...	16
SCRUB HEAD GROUP, DISK 800MM / 32IN ...	18
SCRUB HEAD GROUP, CYLINDRICAL 700MM / 28IN	20
SCRUB HEAD GROUP, CYLINDRICAL 700MM / 28IN - CONT'D	22
SCRUB HEAD GROUP, ORBITAL 700MM / 28IN	24
RECOVERY TANK GROUP	26
RECOVERY TANK FILTER AND HOSE GROUP, STANDARD SCREW CAP	28
SOLUTION TANK GROUP	30
STANDARD ELECTRICAL GROUP	32
FRAME AND DRIVE GROUP (S/N 11064202 -)	34
FRAME AND DRIVE GROUP (S/N 10000000 - 11064201)	36
HEAD LIFT GROUP, DISK	38
HEAD LIFT GROUP, CYLINDRICAL	40
HEAD LIFT GROUP, ORBITAL	42
SHROUD GROUP, DISK AND ORBITAL	44
SHROUD GROUP, CYLINDRICAL	45
LOWER CONSOLE GROUP, ON- BOARD CHARGER	46
LOWER CONSOLE GROUP, ON- BOARD CHARGER, TPPL BATTERY	48
LOWER CONSOLE GROUP, ON- BOARD CHARGER 650W, LITHIUM- ION BATTERY	50
LOWER CONSOLE GROUP, ON- BOARD CHARGER 1000W, LITHIUM- ION BATTERY	52
LOWER CONSOLE GROUP, OFF- BOARD CHARGER	54
CONSOLE HANDLE, PRO- MEMBRANE PANEL WITHOUT TELEMETRY	56

CONSOLE HANDLE, PRO- MEMBRANE PANEL WITH TELEMETRY	58
CONSOLE HANDLE, PRO- PANEL LCD	60
SQUEEGEE LIFT GROUP	62
SQUEEGEE ASSEMBLY, 500MM / 20IN	64
SQUEEGEE ASSEMBLY, 650MM / 26IN (New Style 9021741)	66
SQUEEGEE ASSEMBLY, 650MM / 26IN (Original Style 9015301 - Replaced By 9021741)	68
SQUEEGEE ASSEMBLY, 700MM / 28IN (New Style 9021742)	70
SQUEEGEE ASSEMBLY, 700MM / 28IN (Original Style 9015302 - Replaced By 9021742)	72
SQUEEGEE ASSEMBLY, 800MM / 32IN (New Style 9021743)	74
SQUEEGEE ASSEMBLY, 800MM / 32IN (Original Style 9015303 - Replaced By 9021743)	76
STANDARD SOLUTION GROUP	78
STANDARD BATTERY CABLES GROUP	80
BATTERY CABLES GROUP, TPPL BATTERY ..	81
BATTERY CABLES GROUP, LITHIUM-ION BATTERY	82
LABEL GROUP	83
ELECTRICAL DIAGRAM (S/N 10995399 -)	84
ELECTRICAL DIAGRAM (S/N 10000000 - 10995398)	92
ELECTRICAL HARNESS, MAIN (S/N 10995399 -)	96
ELECTRICAL HARNESS, MAIN (S/N 10000000 - 10995398)	100
ELECTRICAL HARNESS, OPERATOR STATION (S/N 11062242 -)	104
ELECTRICAL HARNESS, OPERATOR STATION (S/N 10000000 - 11062241)	106
ELECTRICAL HARNESS, BAIL SWITCH	108
ELECTRICAL HARNESS, ADAPTER (TELEMETRY MODELS)	109
ELECTRICAL HARNESS, RELAY ADAPTER (TPPL BATTERY)	110
ELECTRICAL HARNESS, BATTERY TO UI (LITHIUM- ION BATTERY)	111

TABLE OF CONTENTS

OPTIONS

BATTERY GROUP, WET 225AH	113
BATTERY GROUP, WET 260AH	114
BATTERY GROUP, AGM 210AH	115
BATTERY GROUP, TPPL 183AH C/20	116
BATTERY GROUP, 90AH 125 BAUD LITHIUM-ION (1 Battery System)	117
BATTERY GROUP, 90AH 125 BAUD LITHIUM-ION (2 Battery System)	118
EXTENSION KIT, LITHIUM-ION BATTERY (1 Battery to 2 Battery System)	119
MANUAL BATTERY WATERING SYSTEM	120
HYDROLINK® MANUAL BATTERY WATERING SYSTEM	122
SMART-FILL AUTOMATIC BATTERY WATERING SYSTEM (S/N 10995399 -)	124
SMART-FILL AUTOMATIC BATTERY WATERING SYSTEM (S/N 10000000 - 10995398)	126
ELECTRICAL GROUP, TELEMETRY	128
PINCH CUFF SCREW CAP DRAIN HOSE GROUP	130
CONTROL VALVE DRAIN HOSE GROUP	131
RECOVERY TANK RINSE KIT	132
SOLUTION TANK AUTO-FILL KIT	134
PARKING BRAKE GROUP (S/N 11064202 -)	136
PARKING BRAKE GROUP (S/N 10000000 - 11064201)	138
BRACKET KIT, SOLUTION TANK SUPPORT (S/N 10000000 - 11064201)	140
ec-H2O SOLUTION GROUP	142
SEVERE ENVIRONMENT SOLUTION GROUP .	144
SEVERE ENVIRONMENT LOCKOUT KIT	146
DOCUMENTATION GROUP (ONLINE ONLY) ...	147

BREAKDOWNS

ec- H2O NANOCLEAN MODULE BREAKDOWN 9020643, 9021553 (S/N 10983853 -) ...	148
ec- H2O NANOCLEAN MODULE BREAKDOWN 9011810 (S/N 10000000 - 10983852)	150
ORBITAL HEAD ECCENTRIC DRIVE BREAKDOWN	152
AUTOMATIC BATTERY WATERING MODULE BREAKDOWN	154

RECOMMENDED MAINTENANCE ITEMS

GENERAL RECOMMENDED MAINTENANCE ITEMS

Part No.	Serial Number	Description	Qty.
1223989	(1000000- 2000000)	Brush Assy, Disk, Scb, 13.0d, Pyp	2
1223991	(1000000- 2000000)	Brush Assy, Disk, Scb, 13.0d, Nyl	2
1223990	(1000000- 2000000)	Brush Assy, Disk, Scb, 13.0d, Sab	2
1243567	(1000000- 2000000)	Pad, Stripper, 13.0d, Brn [1pick=1ctn]	2
1243655	(1000000- 2000000)	Pad, Scb, 13.0d Blu [1pick=1ctn]	2
1243341	(1000000- 2000000)	Pad, Buff, 13.0d, Red [1pick=1ctn]	2
1243342	(1000000- 2000000)	Pad, Polish, 13.0d, White [1pick=1ctn]	2
1243666	(1000000- 2000000)	Pad, Surf Prep, 13.0d Maroon[1pick=1ctn]	2
1240356	(1000000- 2000000)	Pad, Polish, 13.0d, Yel [1pick=1ctn]	2
1220218	(1000000- 2000000)	Brush Assy, Disk, Scb, 14.0d, Pyp	2
1221541	(1000000- 2000000)	Brush Assy, Disk, Scb, 14.0d, Nyl	2
1220217	(1000000- 2000000)	Brush Assy, Disk, Scb, 14.0d, Sab	2
1243657	(1000000- 2000000)	Pad, Stripping, 14.0d Brown [1pick=1ctn]	2
1243344	(1000000- 2000000)	Pad, Scb, 14.0d, Blu [1pick=1ctn]	2
1243656	(1000000- 2000000)	Pad, Buff, 14.0d Red [1pick=1ctn]	2
1243343	(1000000- 2000000)	Pad, Polish, 14.0d, White [1pick=1ctn]	2
1243658	(1000000- 2000000)	Pad, Strip, 14.0d Blk[Hi Prod1pick=1ctn]	2
1243667	(1000000- 2000000)	Pad, Surf Prep, 14.0d Maroon[1pick=1ctn]	2
1240389	(1000000- 2000000)	Pad, Polish, 14.0d, Yel [1pick=1ctn]	2
1220216	(1000000- 2000000)	Brush Assy, Disk, Scb, 16.0d, Pyp	2
1220215	(1000000- 2000000)	Brush Assy, Disk, Scb, 16.0d, Nyl	2
1220214	(1000000- 2000000)	Brush Assy, Disk, Scb, 16.0d, Sab	2
1243685	(1000000- 2000000)	Pad, Stripping, 16.0d, Brn [1pick=1ctn]	2
1243354	(1000000- 2000000)	Pad, Scb, 16.0d, Blu [1pick=1ctn]	2
1243355	(1000000- 2000000)	Pad, Buff, 16.0d, Red [1pick=1ctn]	2
1243356	(1000000- 2000000)	Pad, Polish, 16.0d, White [1pick=1ctn]	2
1243659	(1000000- 2000000)	Pad, Strip, 16.0d Blk[Hi Prod1pick=1ctn]	2
1243668	(1000000- 2000000)	Pad, Surf Prep, 16.0d Maroon[1pick=1ctn]	2
1240390	(1000000- 2000000)	Pad, Polish, 16.0d, Yel [1pick=1ctn]	2
222304	(1000000- 2000000)	Brush, Scb, 28l, 18sr, Pyp, Spl	2
222305	(1000000- 2000000)	Brush, Scb, 28l, 18sr, Nyl, Spl	2
222306	(1000000- 2000000)	Brush, Scb, 28l, 18sr, Abr, Spl	2
1223247	(1000000- 2000000)	Pad, Scb, 28 X 14, Blu [1pc=1pad]	1
1244690	(1000000- 2000000)	Pad, Buff, 28 X 14, Red [1pick=1ctn]	1
1223246	(1000000- 2000000)	Pad, Polish, 28 X 14, White [1pc=1pad]	1
1223248	(1000000- 2000000)	Pad, Surf Prep, 28 X 14, Mar [1pc=1pad]	1
1223250	(1000000- 2000000)	Pad, Scb, 28 X 14, Green [1pick=1ctn]	1
1075563	(1000000- 2000000)	Pad, Stripping, 28 X 14, Blk [1pick=1ctn]	1
1228002	(1000000- 2000000)	Pad, Melamine, 14" X 28" [Case Of 5]	1
1240343	(1000000- 2000000)	Pad, Polish, 28 X 14, Yel [1pick=1ctn]	1
1221839	(1000000- 2000000)	Pad, Backer, 28 X 14 (Includes Velcro Fasteners)	1
222403	(1000000- 2000000)	Wheel, 02.0d 0.88w 0.50b (Disk Head)	2
1232324	(1000000- 2000000)	Bumper, Head, 65cm, Skirt, Im	1
1232325	(1000000- 2000000)	Bumper, Head, 70cm, Skirt, Im	1
1232326	(1000000- 2000000)	Bumper, Head, 80cm, Skirt, Im	1
630477	(1000000- 2000000)	Wheel, Pyu, 02.0d 0.38w, Gray (Cylindrical Head)	6
1014918	(1000000- 2000000)	Wheel, 03.0d 0.88w 0.31b, W/ Bshg, Rbr (Orbital Head)	2
1218573	(1000000- 2000000)	Skirt, Side, Scrb, Cyl [T500]	4
▽ 9015765	(1000000- 2000000)	Belt Kit, Motor, Ci (Cylindrical Head)	1
▲ 1035888	(1000000- 2000000)	Belt, Drive, 6grv, 508 L X 14 W, [6pj]	2
▲ 1203758	(1000000- 2000000)	Tool, Installation, Belt	1

RECOMMENDED MAINTENANCE ITEMS

GENERAL RECOMMENDED MAINTENANCE ITEMS

	Part No.	Serial Number	Description	Qty.
▽	9015731	(10000000- 20000000)	Blade Kit, 500mm, Linatex (Standard)	1
▲	1203953	(10000000- 20000000)	Blade, Sqge, Rear, 836l, Linatex[500mm] (Standard)	1
▲	1203954	(10000000- 20000000)	Blade, Sqge, Front, 788l, Linatex[500mm] (Standard)	1
▽	9015732	(10000000- 20000000)	Blade Kit, 500mm, Urethane (Option)	1
▲	1215609	(10000000- 20000000)	Blade, Sqge, Rear, 836l, Urethane[500mm] (Option)	1
▲	1215611	(10000000- 20000000)	Blade, Sqge, Front, 788l, Urethane[500mm] (Option)	1
▽	9015730	(10000000- 20000000)	Blade Kit, 500mm, Gum (Option)	1
▲	1215610	(10000000- 20000000)	Blade, Sqge, Rear, 836l, Gum[500mm] (Option)	1
▲	1215612	(10000000- 20000000)	Blade, Sqge, Front, 788l, Gum[500mm] (Option)	1
▽	9015734	(10000000- 20000000)	Blade Kit, 650mm, Linatex/Linard (Standard)	1
▲	1221585	(10000000- 20000000)	Blade, Sqge, Rear, 1166l, Linatex[650mm] (Standard)	1
▲	1232680	(10000000- 20000000)	Blade, Sqge, Front, 1072l Linard[650mm] (Standard)	1
▽	9015735	(10000000- 20000000)	Blade Kit, 650mm, Urethane (Option)	1
▲	1228909	(10000000- 20000000)	Blade, Sqge, Rear, 1136l,Urethane[650mm] (Option)	1
▲	1228915	(10000000- 20000000)	Blade, Sqge, Front,1072l,Urethane[650mm] (Option)	1
▽	9015733	(10000000- 20000000)	Blade Kit, 650mm, Gum (Option)	1
▲	1228910	(10000000- 20000000)	Blade, Sqge, Rear, 1136l, Gum[650mm] (Option)	1
▲	1228919	(10000000- 20000000)	Blade, Sqge, Front, 1072l Gum[650mm] (Option)	1
▽	9015737	(10000000- 20000000)	Blade Kit, 700mm, Linatex/Linard (Standard)	1
▲	1221572	(10000000- 20000000)	Blade, Sqge, Rear, 1204l, Linatex[700mm] (Standard)	1
▲	1232679	(10000000- 20000000)	Blade, Sqge, Front, 1148l Linard[700mm] (Standard)	1
▽	9015738	(10000000- 20000000)	Blade Kit, 700mm, Urethane (Option)	1
▲	1228904	(10000000- 20000000)	Blade, Sqge, Rear, 1204l,Urethane[700mm] (Option)	1
▲	1228906	(10000000- 20000000)	Blade, Sqge, Front,1148l Urethane[700mm] (Option)	1
▽	9015736	(10000000- 20000000)	Blade Kit, 700mm, Gum (Option)	1
▲	1228905	(10000000- 20000000)	Blade, Sqge, Rear, 1204l, Gum[700mm] (Option)	1
▲	1228907	(10000000- 20000000)	Blade, Sqge, Front, 1148l Gum[700mm] (Option)	1
▽	9015740	(10000000- 20000000)	Blade Kit, 800mm, Linatex/Linard (Standard)	1
▲	1221115	(10000000- 20000000)	Blade, Sqge, Rear, 1306l, Linatex[800mm] (Standard)	1
▲	1232681	(10000000- 20000000)	Blade, Sqge, Front, 1256l Linard[800mm] (Standard)	1
▽	9015741	(10000000- 20000000)	Blade Kit, 800mm, Urethane (Option)	1
▲	1228920	(10000000- 20000000)	Blade, Sqge, Rear, 1306l,Urethane[800mm] (Option)	1
▲	1228922	(10000000- 20000000)	Blade, Sqge, Front,1256l Urethane[800mm] (Option)	1
▽	9015739	(10000000- 20000000)	Blade Kit, 800mm, Gum (Option)	1
▲	1228921	(10000000- 20000000)	Blade, Sqge, Rear, 1306l, Gum[800mm] (Option)	1
▲	1228923	(10000000- 20000000)	Blade, Sqge, Front, 1256l Gum[800mm] (Option)	1

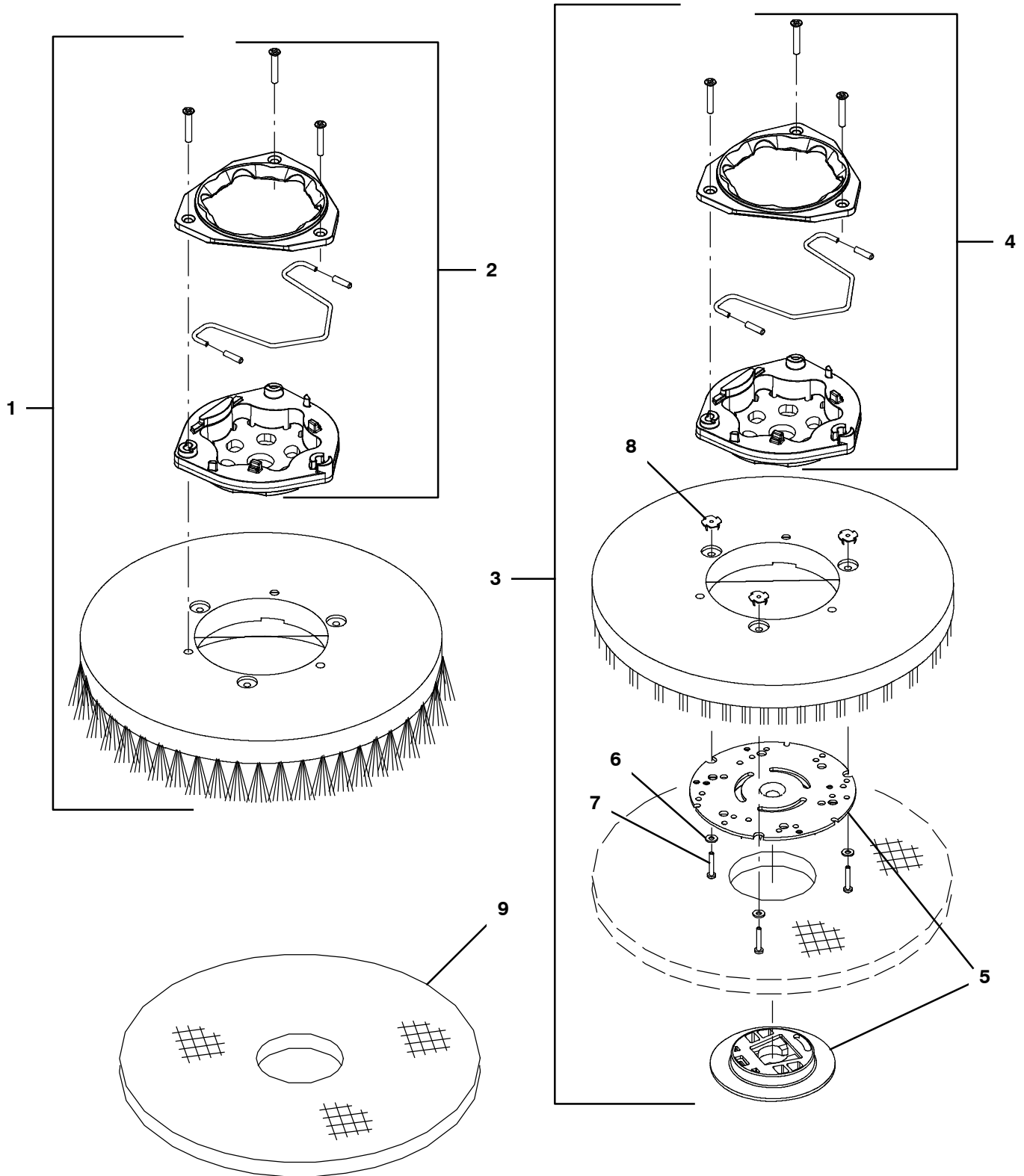
RECOMMENDED MAINTENANCE ITEMS

GENERAL RECOMMENDED MAINTENANCE ITEMS

	Part No.	Serial Number	Description	Qty.
▽	9004909	(10000000- 20000000)	Wheel Kit, Solid, Ci [T5 T5e Ss5]	1
▲	1223583	(10000000- 20000000)	Wheel, Scrbr, 213mm, W/ Taper	2
▽	1031723	(10000000- 20000000)	Motor, Transaxle, 24vdc, Afmkt [T5]	1
▲	614166	(10000000- 20000000)	Brush Kit, Carbon, Transaxle, Replmt [4]	1
▽	1226905	(10000000- 20000000)	Fan, Vacuum, 6.6d, 024vdc, 2 Stage	1
▲	1206774	(10000000- 20000000)	Vr, Brush Kit, Motor, Fan	1
	1065665	(10000000- 20000000)	Inductor, 32.3mml [Ferrite 10- 250mhz] (Canada Only)	1
	100038	(10000000- 20000000)	Gasket, .50, 02.63id 05.75od, Adh [Epdm]	1
	630052	(10000000- 20000000)	Float, Shut- Off, (2)Ball, 1.75d	1
	1207357	(10000000- 20000000)	Tray, Debris, Tank, Recvy [T300]	1
▽	1250482	(10984821- 20000000)	Hose Assy, Drain, 1.5id X 15.5l [Pvc] (Black - Standard)	1
▲▽	1218955	(10000000- 20000000)	Cap, Drain Assy [Black]	1
▲▲	1008637	(10000000- 20000000)	Seal, Org, 1.48id 1.76od	1
▽	1225793	(10000000- 10984820)	Hose Assy, Drain, 1.5d 016l 1.5/Cap[Pvc] (Black - Standard) (Replaced By 1250482)	1
▲▽	1218955	(10000000- 20000000)	Cap, Drain Assy [Black]	1
▲▲	1008637	(10000000- 20000000)	Seal, Org, 1.48id 1.76od	1
▽	1247083	(10948943- 10984820)	Hose Assy, Drain, 1.5id X 26.4l [Pu] (Gray - Option) (NLA - Replaced By Black PVC Hose 1250482)	1
▲▽	1219134	(10948943- 10984820)	Cap, Drain Assy [Gray]	1
▲▲	1008637	(10000000- 20000000)	Seal, Org, 1.48id 1.76od	1
▽	9015726	(10000000- 10948942)	Hose Kit, Drain, Pu, W/ Valve, Ci[T500] (Gray - Option) (No Longer Available - Replaced by 1250482 - Pinch Cuff Screw Cap Style)	1
▲	1051986	(10000000- 10948942)	Valve, Ball, 2way, 1.0id Pvc, W/Handle (No Longer Avail- able - Replaced by 1250482 - Pinch Cuff Screw Cap)	1
	1211220	(10000000- 20000000)	Hose Assy,W/2cuff,1.5d 022l 1.5/1.5[Pvc] (Black - Std)	1
	1224414	(10000000- 10984820)	Hose Assy, W/2cuff,1.5d 033l 1.5/1.5[Pu] (Gray - Option) (NLA - Replaced By Black PVC Hose 1211220)	1
	9015756	(10000000- 20000000)	Seal, Cover, Recvy, Ci [T500]	1
	9015758	(10000000- 20000000)	Seal, Tank, Soltn, Ci [T500/T500e]	1
	1066431	(10000000- 20000000)	Seal, Afmkt, Bulb, Dual, 03ft [F/.30gap](Soltn Tank Front)	1
	1212422	(10000000- 20000000)	Caster, Swivel [Wicke 224051]	2
▽	1211537	(10000000- 20000000)	Filter, In- Line, Pf06/Pf06 080m 2.6l Epd	1
▲	1218885	(10000000- 20000000)	Gasket [Epdm, F/1211537]	1
▲	1218883	(10000000- 20000000)	Screen, Fltr, 80 Mesh, Ss [W/ Cage]	1
▲	613991	(10000000- 20000000)	Bowl, Clr, Short, F/1005302	1
▽	9021553	(SEP2022- 20000000)	Module Kit, Replmt [Ec- H2o, B 02] (Includes Cartridge)	1
▽	9020643	(10983853- AUG2022)	Module Kit, Replmt [Ec- H2o, B 02] (Replaced By 9021553) (Includes ec- H2O NanoClean Cartridge)	1
▽	9011810	(10000000- 10983852)	Module Kit, Replmt [Ec- H2o, B 02] (Includes Cartridge) (Replaced By 9021553)	1
▲	9014127	(10000000- 20000000)	Controller Kit, Replmt [Ec- H2o Nc] (Includes Cartridge)	1
▲	9013646	(10000000- 20000000)	Cartridge, Ec- H2o Nanoclean Wcm, 270ml	1
	1225817	(10000000- 20000000)	Hose Assy, W/2cuff,1.5d 027l 2.0/1.5[Pu] (Gray)	1
▽	1023067	(10000000- 20000000)	Motor, Ele, 24vdc 0220rpm 0.75hp Gear (Disk Head)	2
▲	1031775	(10000000- 20000000)	Brush Kit, Carbon, Motor, Replmt [T5] (Disk Head)	1
	1227867	(10000000- 20000000)	Inductor, Ferrite [Split Case,407@100hz] (Canada Only)	4
▽	1223429	(10000000- 20000000)	Motor, Ele, 24vdc 1500rpm 0.60hp (Cylindrical Head)	2
▲	1031775	(10000000- 20000000)	Brush Kit, Carbon, Motor, Replmt [T5] (Cylindrical Head)	1
	1065665	(10000000- 20000000)	Inductor, 32.3mml [Ferrite 10- 250mhz] (Canada Only)	2
▽	1219913	(10000000- 20000000)	Motor, Ele, 24vdc, 2200rpm, 0.75hp 28.0a (Orbital Head)	1
▲	1059370	(10000000- 20000000)	Brush, Motor, Replmt [Bag Of 4] (Orbital Head)	1
	1065665	(10000000- 20000000)	Inductor, 32.3mml [Ferrite 10- 250mhz] (Canada Only)	1

REPLACEMENT BRUSHES AND PAD DRIVER DISK

355426



REPLACEMENT BRUSHES AND PAD DRIVER DISK

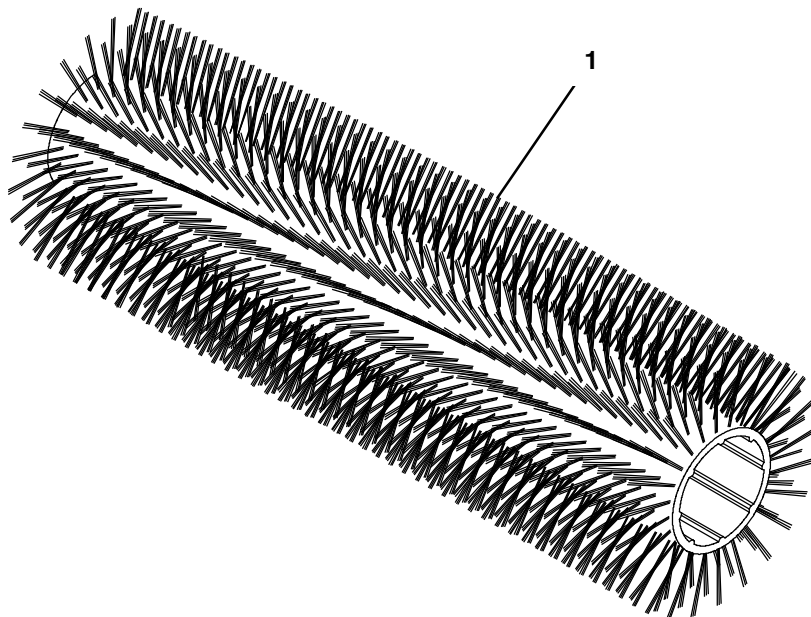
Ref.	Part No.	Serial Number	Description	Qty.
▽	1	1223989	(10000000- 20000000) Brush Assy, Disk, Scb, 13.0d, Pyp	2
▽	1	1223991	(10000000- 20000000) Brush Assy, Disk, Scb, 13.0d, Nyl	2
▽	1	1223990	(10000000- 20000000) Brush Assy, Disk, Scb, 13.0d, Sab	2
▽	1	1220218	(10000000- 20000000) Brush Assy, Disk, Scb, 14.0d, Pyp	2
▽	1	1221541	(10000000- 20000000) Brush Assy, Disk, Scb, 14.0d, Nyl	2
▽	1	1220217	(10000000- 20000000) Brush Assy, Disk, Scb, 14.0d, Sab	2
▽	1	1220216	(10000000- 20000000) Brush Assy, Disk, Scb, 16.0d, Pyp	2
▽	1	1220215	(10000000- 20000000) Brush Assy, Disk, Scb, 16.0d, Nyl	2
▽	1	1220214	(10000000- 20000000) Brush Assy, Disk, Scb, 16.0d, Sab	2
▲	2	9014667	(10000000- 20000000) Brush Kit, Hub Assy, Drive, Ci [Comm]	1
▽	3	1220220	(10000000- 20000000) Driver Assy, Pad, 13.0d, Brush	2
▽	3	1220221	(10000000- 20000000) Driver Assy, Pad, 14.0d, Brush	2
▽	3	1220222	(10000000- 20000000) Driver Assy, Pad, 16.0d, Brush	2
▲	4	9014667	(10000000- 20000000) Brush Kit, Hub Assy, Drive, Ci [Comm]	1
▲	5	370095	(10000000- 20000000) Device, Centering, Clip On, TI [Gf Pp]	1
▲	6	41579	(10000000- 20000000) Washer, Flat, 08, Ss	3
▲	7	04403	(10000000- 20000000) Screw, Pan, Phl, M4 X 0.70 X 25, NI, Ss	3
▲	8	10908	(10000000- 20000000) Nut, T, M4 X 0.70	3
	9	1243567	(10000000- 20000000) Pad, Stripper, 13.0d, Brn [1pick=1ctn]	2
	9	1243655	(10000000- 20000000) Pad, Scb, 13.0d Blu [1pick=1ctn]	2
	9	1243341	(10000000- 20000000) Pad, Buff, 13.0d, Red [1pick=1ctn]	2
	9	1243342	(10000000- 20000000) Pad, Polish, 13.0d, White [1pick=1ctn]	2
	9	1243666	(10000000- 20000000) Pad, Surf Prep, 13.0d Maroon[1pick=1ctn]	2
	9	1240356	(10000000- 20000000) Pad, Polish, 13.0d, Yel [1pick=1ctn]	2
	9	1243657	(10000000- 20000000) Pad, Stripping, 14.0d Brown [1pick=1ctn]	2
	9	1243344	(10000000- 20000000) Pad, Scb, 14.0d, Blu [1pick=1ctn]	2
	9	1243656	(10000000- 20000000) Pad, Buff, 14.0d Red [1pick=1ctn]	2
	9	1243343	(10000000- 20000000) Pad, Polish, 14.0d, White [1pick=1ctn]	2
	9	1243658	(10000000- 20000000) Pad, Strip, 14.0d Blk[Hi Prod1pick=1ctn]	2
	9	1243667	(10000000- 20000000) Pad, Surf Prep, 14.0d Maroon[1pick=1ctn]	2
	9	1240389	(10000000- 20000000) Pad, Polish, 14.0d, Yel [1pick=1ctn]	2
	9	1243685	(10000000- 20000000) Pad, Stripping, 16.0d, Brn [1pick=1ctn]	2
	9	1243354	(10000000- 20000000) Pad, Scb, 16.0d, Blu [1pick=1ctn]	2
	9	1243355	(10000000- 20000000) Pad, Buff, 16.0d, Red [1pick=1ctn]	2
	9	1243356	(10000000- 20000000) Pad, Polish, 16.0d, White [1pick=1ctn]	2
	9	1243659	(10000000- 20000000) Pad, Strip, 16.0d Blk[Hi Prod1pick=1ctn]	2
	9	1243668	(10000000- 20000000) Pad, Surf Prep, 16.0d Maroon[1pick=1ctn]	2
	9	1240390	(10000000- 20000000) Pad, Polish, 16.0d, Yel [1pick=1ctn]	2

▽ ASSEMBLY

▲ INCLUDED IN ASSEMBLY

REPLACEMENT BRUSHES CYLINDRICAL

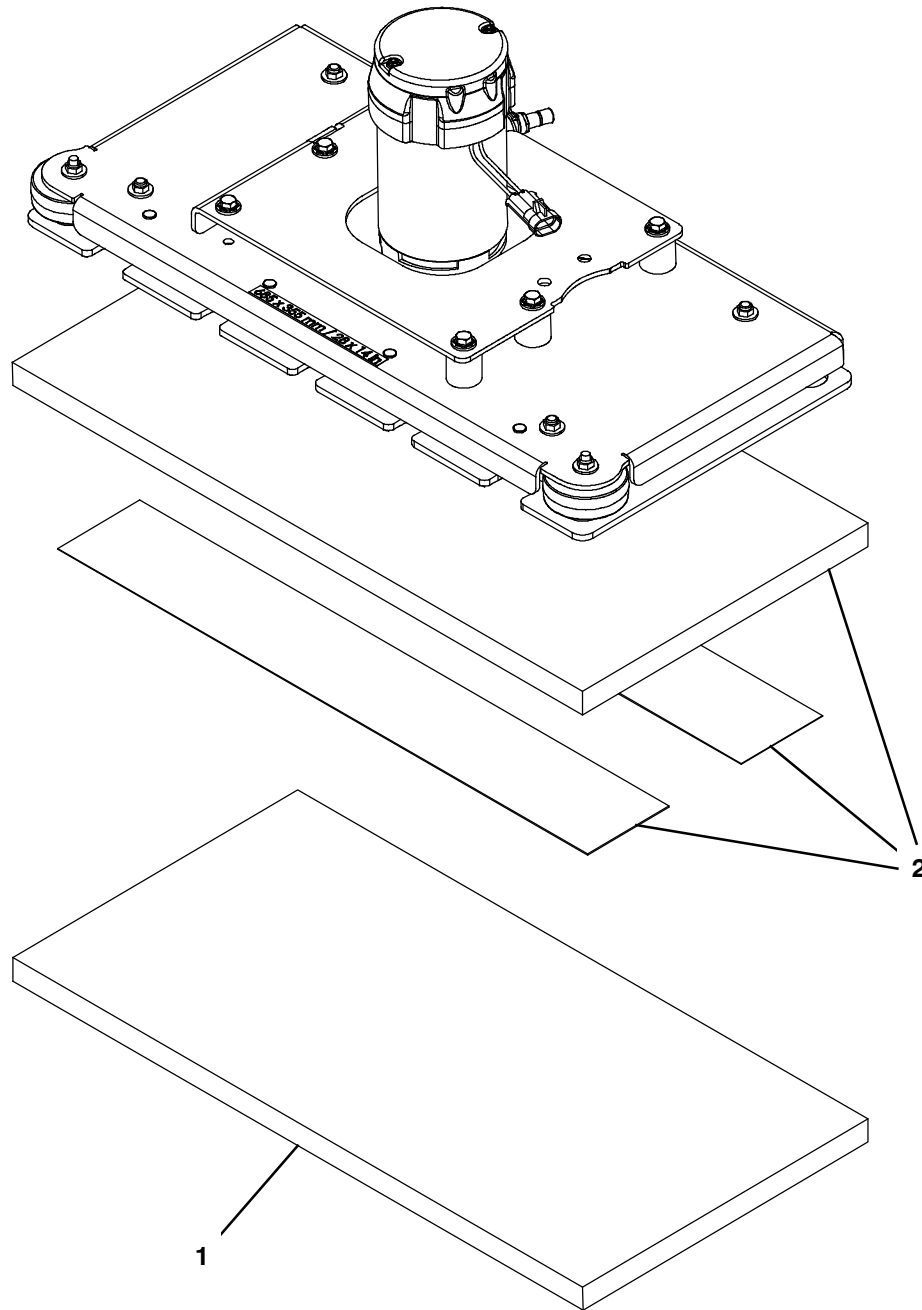
355427



Ref.	Part No.	Serial Number	Description	Qty.
1	222304	(10000000-20000000)	Brush, Scb, 28l, 18sr, Pyp, Spl	2
1	222305	(10000000-20000000)	Brush, Scb, 28l, 18sr, Nyl, Spl	2
1	222306	(10000000-20000000)	Brush, Scb, 28l, 18sr, Abr, Spl	2

REPLACEMENT PADS ORBITAL

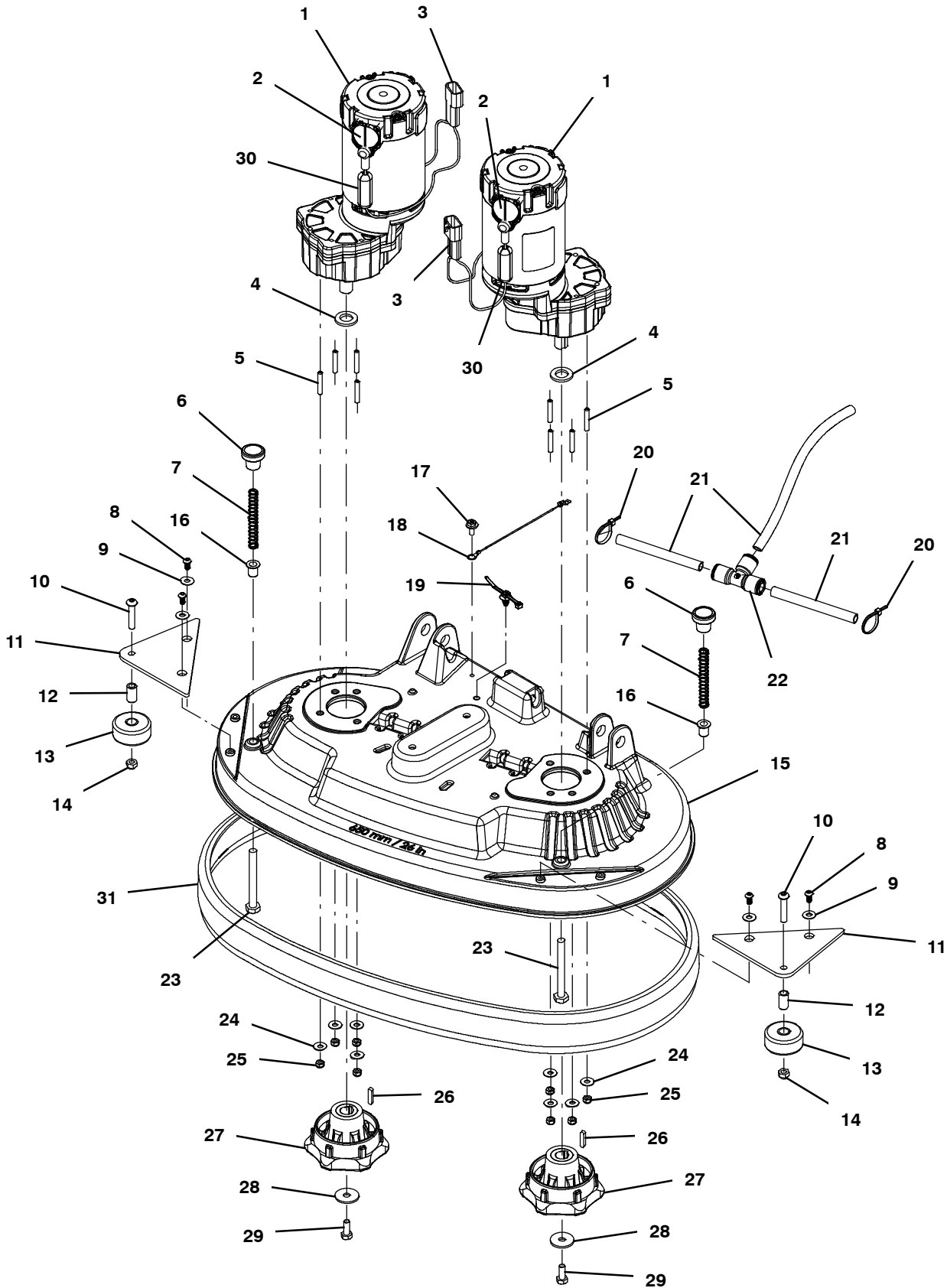
355478



Ref.	Part No.	Serial Number	Description	Qty.
1	1223247	(10000000- 20000000)	Pad, Scb, 28 X 14, Blu [1pc=1pad]	1
1	1244690	(10000000- 20000000)	Pad, Buff, 28 X 14, Red [1pick=1ctn]	1
1	1223246	(10000000- 20000000)	Pad, Polish, 28 X 14, White [1pc=1pad]	1
1	1223248	(10000000- 20000000)	Pad, Surf Prep, 28 X 14, Mar [1pc=1pad]	1
1	1223250	(10000000- 20000000)	Pad, Scb, 28 X 14, Green [1pick=1ctn]	1
1	1075563	(10000000- 20000000)	Pad, Stripping, 28 X 14, Blk [1pick=1ctn]	1
1	1228002	(10000000- 20000000)	Pad, Melamine, 14" X 28" [Case Of 5]	1
1	1240343	(10000000- 20000000)	Pad, Polish, 28 X 14, Yel [1pick=1ctn]	1
2	1221839	(10000000- 20000000)	Pad, Backer, 28 X 14 (Includes Velcro Fasteners)	1

SCRUB HEAD GROUP, DISK 650MM / 26IN

355421



SCRUB HEAD GROUP, DISK 650MM / 26IN

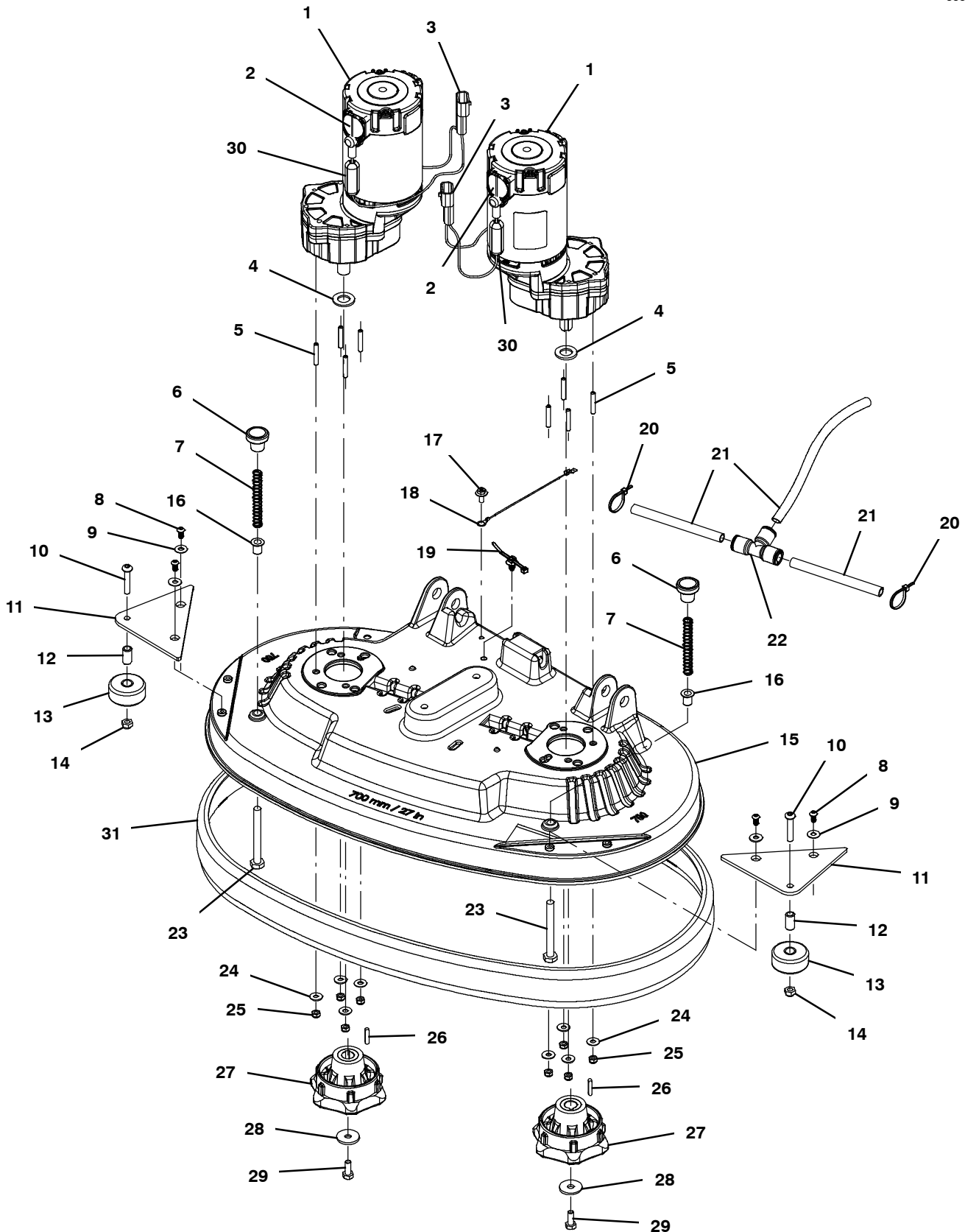
Ref.	Part No.	Serial Number	Description	Qty.
▽	1	1023067	(10000000- 20000000) Motor, Ele, 24vdc 0220rpm 0.75hp Gear (Canada Also Requires Qty 2 Ferrite #1227867)	2
▲	2	1031775	(10000000- 20000000) Brush Kit, Carbon, Motor, Replmt [T5]	1
▲	3	1031681	(10000000- 20000000) Harness, Connector, Brush- Motor [T5] Us	1
	4	1022549	(10000000- 20000000) Spacer, Shaft, 17.15b 30.0d 3.0l, Ss	2
	5	1025853	(10000000- 20000000) Screw, Set, M6 X 1.00 X 35, NI, Ss	8
	6	1222988	(10000000- 20000000) Knob, Rnd, 31.0d 27.0l M10, Plstc	2
	7	626081	(10000000- 20000000) Spring, Cmpr, 0.48od .04wir 03.5l	2
	8	1227865	(10000000- 20000000) Screw, Trs, M6 X 1.0 X 12, Phl, Ss, NI	4
	9	01684	(10000000- 20000000) Washer, Flat, 0.27b 0.69d .05, Ss	4
	10	397826	(10000000- 20000000) Screw, Btn, M8 X 1.25 X 40, Ss	2
	11	1227709	(10000000- 20000000) Bracket, Roller, Wall	2
	12	222496	(10000000- 20000000) Sleeve, P/M, 0.32b 0.50d 0.9l [430ss]	2
	13	222403	(10000000- 20000000) Wheel, 02.0d 0.88w 0.50b	2
	14	08713	(10000000- 20000000) Nut, Hex, Lock, M8 X 1.25, NI, Ss	2
▽	15	9018835	(10000000- 20000000) Housing, Disc, 65cm, Afmkt [T600, Na,Ce]	1
▲	16	1247152	(10000000- 20000000) Bushing, Flng, 10mmb 12mmd 17mml	2
	17	1034731	(10000000- 20000000) Screw, Hex, M6 X 1.00 X 16, Sems, Ss	1
	18	1074344	(10000000- 20000000) Harness, Ele [Ring With .250m Tail]	1
	19	1210807	(10000000- 20000000) Wire, Tie [W/.25" Fir Tree Clip]	1
	20	130773	(10000000- 20000000) Tie, Cable, Nyl, 11.0l, .14w, 3.0 Max. D	2
	21	9014145	(10000000- 20000000) Hose, Afmkt, Pe, .375id .50od, 05ft	1
	22	1212858	(10000000- 20000000) Fitting, Plstc, Tee, Qf08/Qf08/Qf08	1
	23	09746	(10000000- 20000000) Screw, Hex, M10 X 1.50 X 90, Ss	2
	24	01684	(10000000- 20000000) Washer, Flat, 0.27b 0.69d .05, Ss	8
	25	08712	(10000000- 20000000) Nut, Hex, Lock, M6 X 1.00, NI, Ss	8
	26	1014328	(10000000- 20000000) Key, Sq, 05mm X 05mm, 25mml	2
	27	1071637	(10000000- 20000000) Hub, Drive, Brush, Disk, 17mmb	2
	28	1017218	(10000000- 20000000) Washer, Flat, 0.32b 1.00d .12, Ss	2
	29	12273	(10000000- 20000000) Screw, Hex, M8 X 1.25 X 20, NI, Ss	2
	30	1227867	(10000000- 20000000) Inductor, Ferrite [Split Case,407@100hz] (Canada Only)	4
	31	1232324	(10000000- 20000000) Bumper, Head, 65cm, Skirt, Im	1

▽ ASSEMBLY

▲ INCLUDED IN ASSEMBLY

SCRUB HEAD GROUP, DISK 700MM / 28IN

355422



SCRUB HEAD GROUP, DISK 700MM / 28IN

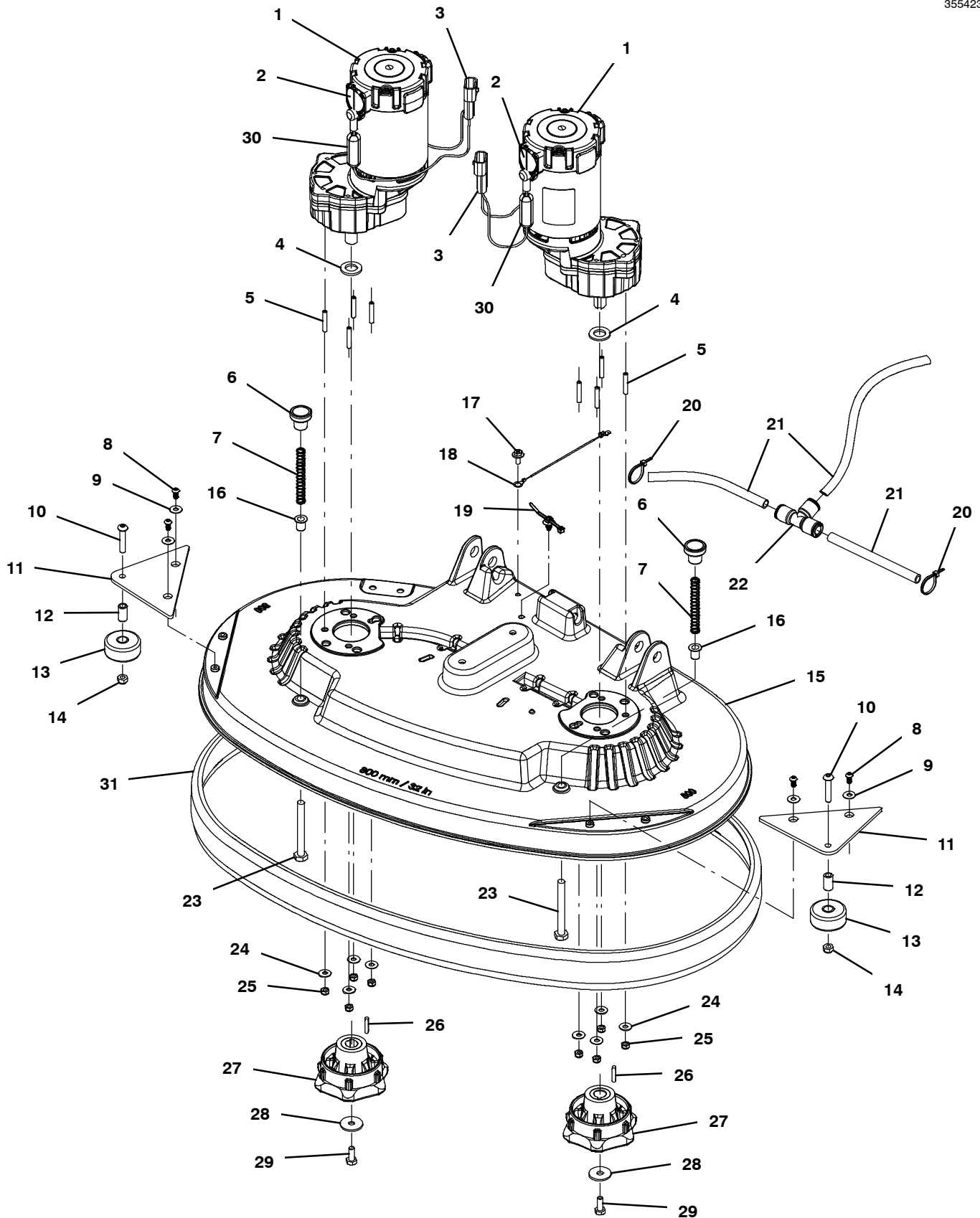
Ref.	Part No.	Serial Number	Description	Qty.
▽	1	1023067	(10000000- 20000000) Motor, Ele, 24vdc 0220rpm 0.75hp Gear (Canada Also Requires Qty 2 Ferrite #1227867)	2
▲	2	1031775	(10000000- 20000000) Brush Kit, Carbon, Motor, Replmt [T5]	1
▲	3	1031681	(10000000- 20000000) Harness, Connector, Brush- Motor [T5] Us	1
	4	1022549	(10000000- 20000000) Spacer, Shaft, 17.15b 30.0d 3.0l, Ss	2
	5	1025853	(10000000- 20000000) Screw, Set, M6 X 1.00 X 35, NI, Ss	8
	6	1222988	(10000000- 20000000) Knob, Rnd, 31.0d 27.0l M10, Plstc	2
	7	626081	(10000000- 20000000) Spring, Cmpr, 0.48od .04wir 03.5l	2
	8	1227865	(10000000- 20000000) Screw, Trs, M6 X 1.0 X 12, Phl, Ss, NI	4
	9	01684	(10000000- 20000000) Washer, Flat, 0.27b 0.69d .05, Ss	4
	10	397826	(10000000- 20000000) Screw, Btn, M8 X 1.25 X 40, Ss	2
	11	1227709	(10000000- 20000000) Bracket, Roller, Wall	2
	12	222496	(10000000- 20000000) Sleeve, P/M, 0.32b 0.50d 0.9l [430ss]	2
	13	222403	(10000000- 20000000) Wheel, 02.0d 0.88w 0.50b	2
	14	08713	(10000000- 20000000) Nut, Hex, Lock, M8 X 1.25, NI, Ss	2
▽	15	9018824	(10000000- 20000000) Housing, Disc, 70cm, Afmkt [T600, Na,Ce]	1
▲	16	1247152	(10000000- 20000000) Bushing, Flng, 10mmb 12mmd 17mml	2
	17	1034731	(10000000- 20000000) Screw, Hex, M6 X 1.00 X 16, Sems, Ss	1
	18	1074344	(10000000- 20000000) Harness, Ele [Ring With .250m Tail]	1
	19	1210807	(10000000- 20000000) Wire, Tie [W/.25" Fir Tree Clip]	1
	20	130773	(10000000- 20000000) Tie, Cable, Nyl, 11.0l, .14w, 3.0 Max. D	2
	21	9014145	(10000000- 20000000) Hose, Afmkt, Pe, .375id .50od, 05ft	1
	22	1212858	(10000000- 20000000) Fitting, Plstc, Tee, Qf08/Qf08/Qf08	1
	23	09746	(10000000- 20000000) Screw, Hex, M10 X 1.50 X 90, Ss	2
	24	01684	(10000000- 20000000) Washer, Flat, 0.27b 0.69d .05, Ss	8
	25	08712	(10000000- 20000000) Nut, Hex, Lock, M6 X 1.00, NI, Ss	8
	26	1014328	(10000000- 20000000) Key, Sq, 05mm X 05mm, 25mml	2
	27	1071637	(10000000- 20000000) Hub, Drive, Brush, Disk, 17mmb	2
	28	1017218	(10000000- 20000000) Washer, Flat, 0.32b 1.00d .12, Ss	2
	29	12273	(10000000- 20000000) Screw, Hex, M8 X 1.25 X 20, NI, Ss	2
	30	1227867	(10000000- 20000000) Inductor, Ferrite [Split Case,407@100hz] (Canada Only)	4
	31	1232325	(10000000- 20000000) Bumper, Head, 70cm, Skirt, Im	1

▽ ASSEMBLY

▲ INCLUDED IN ASSEMBLY

SCRUB HEAD GROUP, DISK 800MM / 32IN

355423



SCRUB HEAD GROUP, DISK 800MM / 32IN

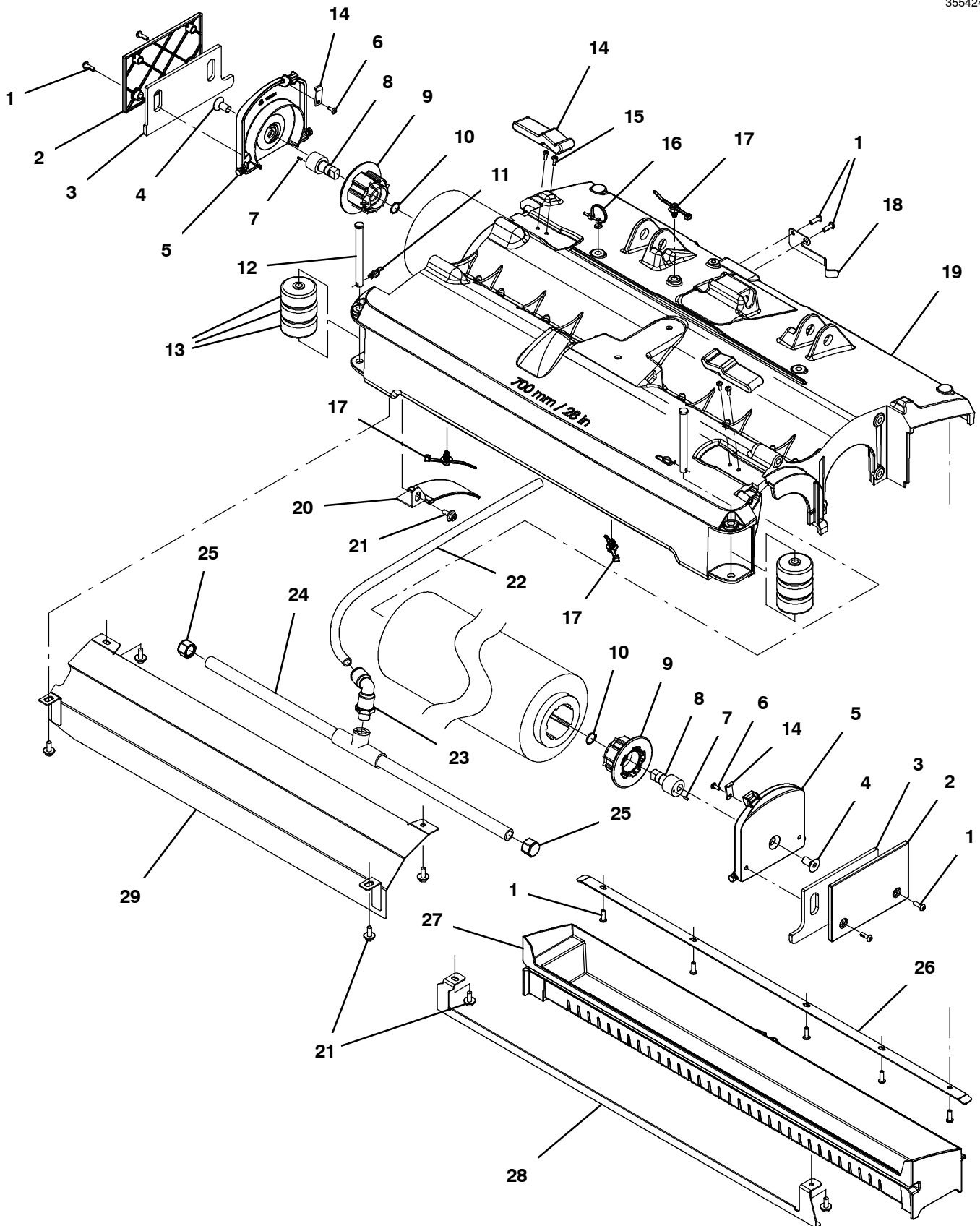
Ref.	Part No.	Serial Number	Description	Qty.
▽	1	1023067	(10000000- 20000000) Motor, Ele, 24vdc 0220rpm 0.75hp Gear (Canada Also Requires Qty 2 Ferrite #1227867)	2
▲	2	1031775	(10000000- 20000000) Brush Kit, Carbon, Motor, Replmt [T5]	1
▲	3	1031681	(10000000- 20000000) Harness, Connector, Brush- Motor [T5] Us	1
	4	1022549	(10000000- 20000000) Spacer, Shaft, 17.15b 30.0d 3.0l, Ss	2
	5	1025853	(10000000- 20000000) Screw, Set, M6 X 1.00 X 35, NI, Ss	8
	6	1222988	(10000000- 20000000) Knob, Rnd, 31.0d 27.0l M10, Plstc	2
	7	626081	(10000000- 20000000) Spring, Cmpr, 0.48od .04wir 03.5l	2
	8	1227865	(10000000- 20000000) Screw, Trs, M6 X 1.0 X 12, Phl, Ss, NI	4
	9	01684	(10000000- 20000000) Washer, Flat, 0.27b 0.69d .05, Ss	4
	10	397826	(10000000- 20000000) Screw, Btn, M8 X 1.25 X 40, Ss	2
	11	1227709	(10000000- 20000000) Bracket, Roller, Wall	2
	12	222496	(10000000- 20000000) Sleeve, P/M, 0.32b 0.50d 0.9l [430ss]	2
	13	222403	(10000000- 20000000) Wheel, 02.0d 0.88w 0.50b	2
	14	08713	(10000000- 20000000) Nut, Hex, Lock, M8 X 1.25, NI, Ss	2
▽	15	9018823	(10000000- 20000000) Housing, Disc, 80cm, Afmkt [T600, Na,Ce]	1
▲	16	1247152	(10000000- 20000000) Bushing, Flng, 10mmb 12mmd 17mml	2
	17	1034731	(10000000- 20000000) Screw, Hex, M6 X 1.00 X 16, Sems, Ss	1
	18	1074344	(10000000- 20000000) Harness, Ele [Ring With .250m Tail]	1
	19	1210807	(10000000- 20000000) Wire, Tie [W/.25" Fir Tree Clip]	1
	20	130773	(10000000- 20000000) Tie, Cable, Nyl, 11.0l, .14w, 3.0 Max. D	2
	21	9014145	(10000000- 20000000) Hose, Afmkt, Pe, .375id .50od, 05ft	1
	22	1212858	(10000000- 20000000) Fitting, Plstc, Tee, Qf08/Qf08/Qf08	1
	23	09746	(10000000- 20000000) Screw, Hex, M10 X 1.50 X 90, Ss	2
	24	01684	(10000000- 20000000) Washer, Flat, 0.27b 0.69d .05, Ss	8
	25	08712	(10000000- 20000000) Nut, Hex, Lock, M6 X 1.00, NI, Ss	8
	26	1014328	(10000000- 20000000) Key, Sq, 05mm X 05mm, 25mml	2
	27	1071637	(10000000- 20000000) Hub, Drive, Brush, Disk, 17mmb	2
	28	1017218	(10000000- 20000000) Washer, Flat, 0.32b 1.00d .12, Ss	2
	29	12273	(10000000- 20000000) Screw, Hex, M8 X 1.25 X 20, NI, Ss	2
	30	1227867	(10000000- 20000000) Inductor, Ferrite [Split Case,407@100hz] (Canada Only)	4
	31	1232326	(10000000- 20000000) Bumper, Head, 80cm, Skirt, Im	1

▽ ASSEMBLY

▲ INCLUDED IN ASSEMBLY

SCRUB HEAD GROUP, CYLINDRICAL 700MM / 28IN

355424

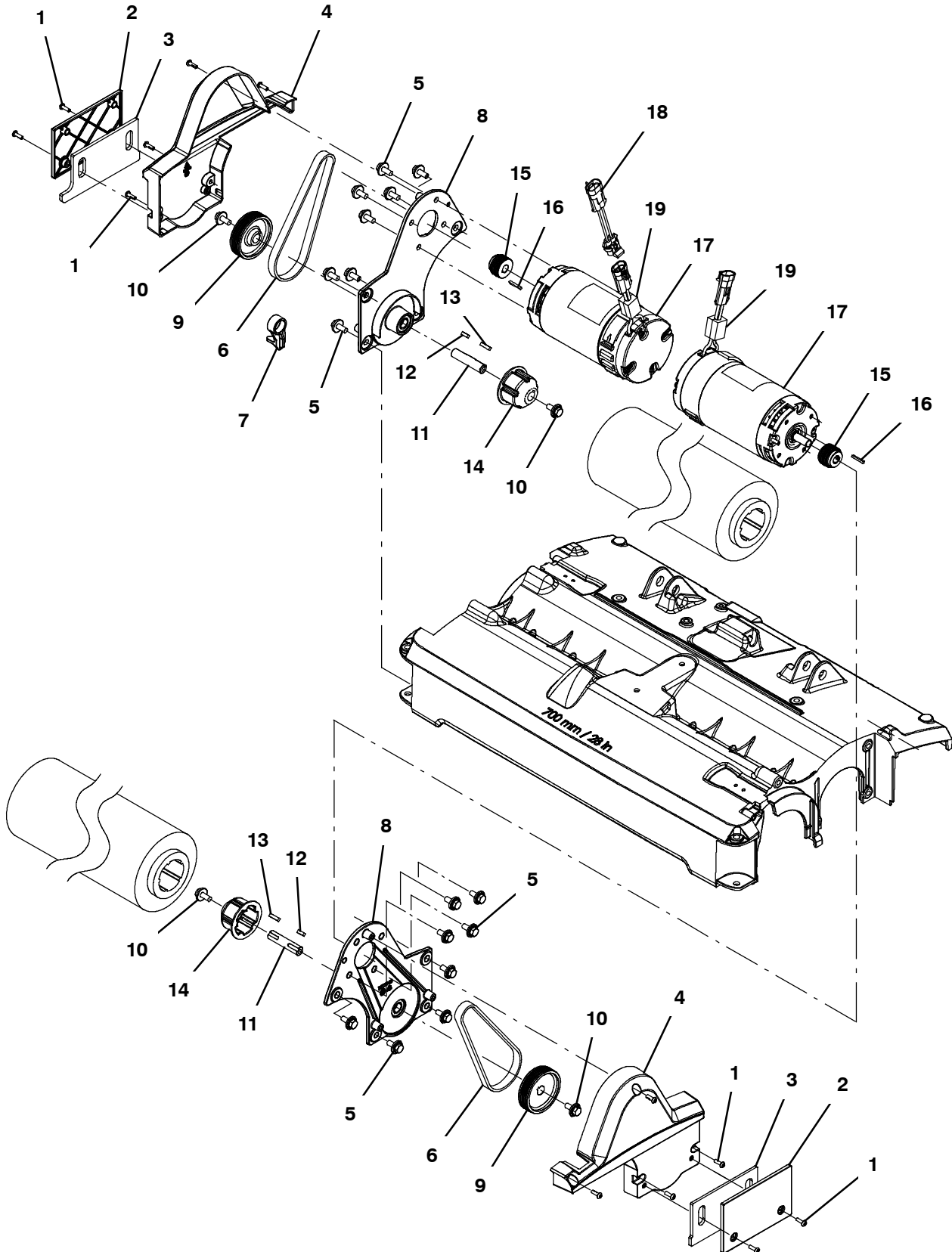


SCRUB HEAD GROUP, CYLINDRICAL 700MM / 28IN

Ref.	Part No.	Serial Number	Description	Qty.
1	1205799	(10000000-20000000)	Screw, Btn, M5 X 0.8 X 16, 8.8, NI, Torx	2
2	1218032	(10000000-20000000)	Cover, Skirt, 2cyl [T500]	2
3	1218573	(10000000-20000000)	Skirt, Side, Scrb, Cyl [T500]	2
4	390996	(10000000-20000000)	Screw, Flt, Soc, M10 X 1.50 X 20, 10.9, NI	2
5	1218692	(10000000-20000000)	Door, Brush, 2cyl [Machined, T500]	1
6	49697	(10000000-20000000)	Screw, Pan, Phl, M4 X 0.70 X 10, Ss	6
7	222184	(10000000-20000000)	Pin, Roll, .094d X 0.25l, .094/.097	2
8	222177	(10000000-20000000)	Shaft, Plug, Idler	2
9	1057629	(10000000-20000000)	Plug, Idler, Brush [Sgl Brg]	2
10	01516	(10000000-20000000)	Ring, Retaining, Ext, 0.59d, Basic	2
11	1216647	(10000000-20000000)	Pin, Cotter, Hair, 0.38d .054 Wir	2
12	49914	(10000000-20000000)	Pin, Clevis, 0.37d X 4.00l	2
13	630477	(10000000-20000000)	Wheel, Pyu, 02.0d 0.38w, Gray	6
14	1207285	(10000000-20000000)	Latch, Draw, Rbr, W/ Keeper, Yellow	2
15	49697	(10000000-20000000)	Screw, Pan, Phl, M4 X 0.70 X 10, Ss	6
16	1221161	(10000000-20000000)	Tie, Cable, Nyl, Push Mount, 76mm Max D	1
17	1210807	(10000000-20000000)	Wire, Tie [W/.25" Fir Tree Clip]	3
18	1218242	(10000000-20000000)	Bracket, Spring, Tray, Debris [T500]	1
19	1217942	(10000000-20000000)	Housing, Cyl, 70cm [Machined]	1
20	1029358	(10000000-20000000)	Deflector, Water, Cyl Head	1
21	1034731	(10000000-20000000)	Screw, Hex, M6 X 1.00 X 16, Sems, Ss	7
22	9014145	(10000000-20000000)	Hose, Afmkt, Pe, .375id .50od, 05ft	1
23	1212987	(10000000-20000000)	Fitting, Plstc, E90, Qf08/Pm06, Swivel	1
24	1046049	(10000000-20000000)	Tube Assy, Bar, Spray, 70cm [T5, 5680]	1
25	1025580	(10000000-20000000)	Fitting, Pipe, Cap, P06, Nyl	2
26	1218153	(10000000-20000000)	Bracket, Tray, Debris [T500]	1
27	1218144	(10000000-20000000)	Tray, Debris, 700mm [lm] [Rhine]	1
28	1218577	(10000000-20000000)	Bracket, Slide, Tray, Debris	1
29	1219969	(10000000-20000000)	Panel Wldt, Wrap, Brush [T500]	1

SCRUB HEAD GROUP, CYLINDRICAL 700MM / 28IN - CONT'D

355430



SCRUB HEAD GROUP, CYLINDRICAL 700MM / 28IN - CONT'D

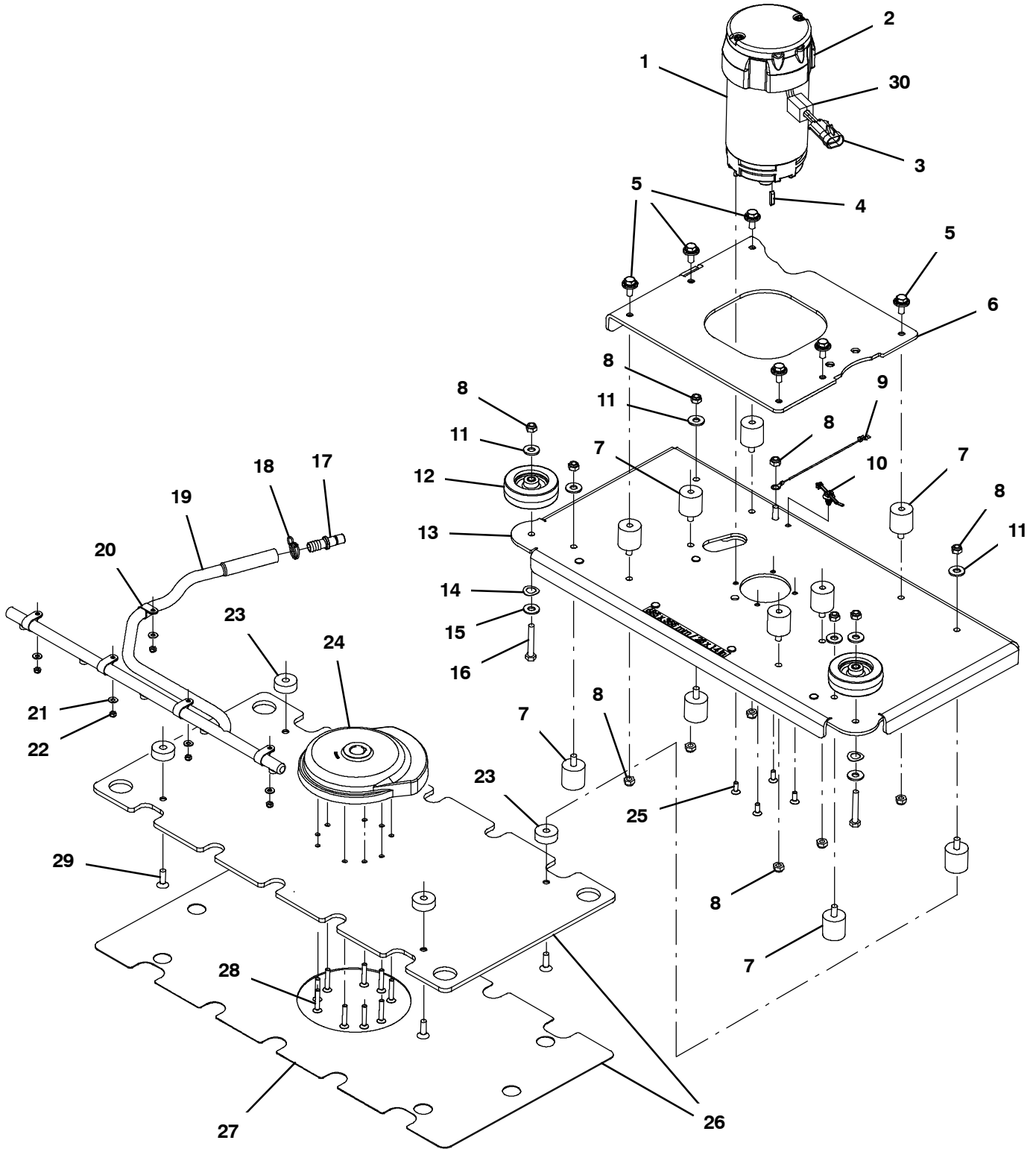
Ref.	Part No.	Serial Number	Description	Qty.	
1	1205799	(10000000- 20000000)	Screw, Btn, M5 X 0.8 X 16, 8.8, NI, Torx	12	
2	1218032	(10000000- 20000000)	Cover, Skirt, 2cyl [T500]	2	
3	1218573	(10000000- 20000000)	Skirt, Side, Scrub, Cyl [T500]	2	
4	1218012	(10000000- 20000000)	Cover, Belt, 2 Cyl [T500]	2	
5	1020341	(10000000- 20000000)	Screw, Hex, M8 X 1.25 X 20, Ss, Sems	16	
▽	6	9015765	(10000000- 20000000)	Belt Replacement Kit (Cylindrical)	1
▲		1035888	(10000000- 20000000)	Belt, Drive, 6grv, 508 L X 14 W, [6pj]	2
▲	7	1203758	(10000000- 20000000)	Tool, Installation, Belt	1
▽	8	9018012	(10000000- 20000000)	Bracket Assy, Motor, Ci (Includes Bearings And Tube - Not Available Separately)	2
▲	9	1035173	(10000000- 20000000)	Sheave, 06grv, 2.96pd 0.59b, Alm [Pj]	1
▲	10	1020341	(10000000- 20000000)	Screw, Hex, M8 X 1.25 X 20, Ss, Sems	2
▲	11	1021050	(10000000- 20000000)	Shaft, Drive, 15.0d X 65.5l [T5, 1610]	1
▲	12	00961	(10000000- 20000000)	Key, Sq, 0.19 X 0.19, 0.50l	1
▲	13	00911	(10000000- 20000000)	Key, Sq, 0.19 X 0.19, 0.75l	1
▲	14	378805	(10000000- 20000000)	Plug, Drive, Brush, Mach	1
	15	1033528	(10000000- 20000000)	Sheave, 06grv, 1.33pd 0.50b, Alm [Pj]	2
	16	00954	(10000000- 20000000)	Key, Sq, 0.12 X 0.12, 1.00l	2
▽	17	1223429	(10000000- 20000000)	Motor, Ele, 24vdc 1500rpm 0.60hp (Canada Also Requires Qty 1 Ferrite #1065665)	2
▲		1031775	(10000000- 20000000)	Brush Kit, Carbon, Motor, Replmt [T5]	1
	18	1052895	(10000000- 20000000)	Harness, Adapter, Motor [T7/T5]	1
	19	1065665	(10000000- 20000000)	Inductor, 32.3mml [Ferrite 10- 250mhz] (Canada Only)	2

▽ ASSEMBLY

▲ INCLUDED IN ASSEMBLY

SCRUB HEAD GROUP, ORBITAL 700MM / 28IN

355425



SCRUB HEAD GROUP, ORBITAL 700MM / 28IN

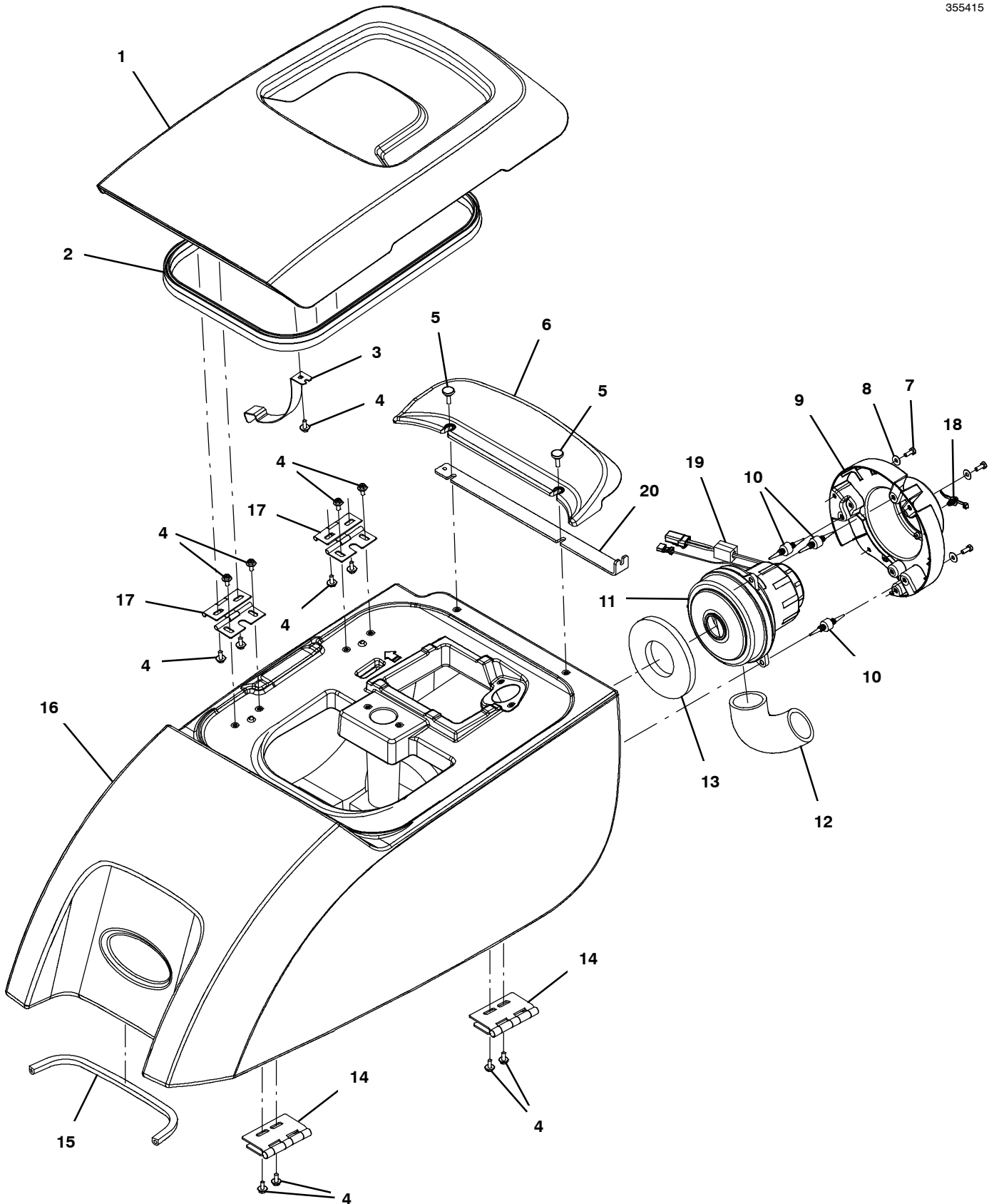
Ref.	Part No.	Serial Number	Description	Qty.
▽	1	1219913	(10000000- 20000000) Motor, Ele, 24vdc, 2200rpm, 0.75hp 28.0a (Canada Also Requires Qty 1 Ferrite #1065665)	1
▲	2	1059370	(10000000- 20000000) Brush, Motor, Replmt [Bag Of 4]	1
▲	3	1031681	(10000000- 20000000) Harness, Connector, Brush- Motor [T5] Us	1
	4	1231238	(10000000- 20000000) Key, Sq, 5mm X 5mm X 22mm	1
	5	1020341	(10000000- 20000000) Screw, Hex, M8 X 1.25 X 20, Ss, Sems	6
	6	1220910	(10000000- 20000000) Bracket Wldt, Mtg, Head	1
	7	1212543	(10000000- 20000000) Isolator, Neoprene, 1.25" X 1.25", M8	13
	8	08713	(10000000- 20000000) Nut, Hex, Lock, M8 X 1.25, NI, Ss	1
	9	1074344	(10000000- 20000000) Harness, Ele [Ring With .250m Tail]	1
	10	1210807	(10000000- 20000000) Wire, Tie [W/.25" Fir Tree Clip]	1
	11	01685	(10000000- 20000000) Washer, Flat, 0.38b 0.88d .08, Ss	6
	12	1014918	(10000000- 20000000) Wheel, 03.0d 0.88w 0.31b, W/ Bshg, Rbr	2
	13	1221766	(10000000- 20000000) Housing Wldt, Brush	1
	14	1210221	(10000000- 20000000) Washer, Wave, .515b, .875d, .013, Ss	2
	15	01685	(10000000- 20000000) Washer, Flat, 0.38b 0.88d .08, Ss	2
	16	49694	(10000000- 20000000) Screw, Hex, M8 X 1.25 X 50, Ss	2
	17	1212807	(10000000- 20000000) Fitting, Plstc, Str, Qm08/Bm08	1
	18	607776	(10000000- 20000000) Clamp, Hose, Wir, .73 - .77, Silver	1
	19	1234853	(10000000- 20000000) Manifold, Bar, Spray [28in]	1
	20	140916	(10000000- 20000000) Clamp, Cable, Nyl, 0.62d, Nat	5
	21	01683	(10000000- 20000000) Washer, Flat, 10, Ss	4
	22	09739	(10000000- 20000000) Nut, Hex, Lock, M5 X 0.80, NI, Ss	4
	23	1221850	(10000000- 20000000) Spacer, Head	4
	24	9015774	(10000000- 20000000) Eccentric Drive Kit, Orbital	1
	25	09163	(10000000- 20000000) Screw, Flt, Soc, M6 X 1.00 X 16, 18- 8,Ss	4
▽	26	9015416	(10000000- 20000000) Driver Kit, Pad, Ci [T500] (Includes Driver Plate, Driver Face, & Red Buffing Pad)	1
▲	27	1220627	(10000000- 20000000) Face, Pad Driver	1
	28	1212710	(10000000- 20000000) Screw, Flt, Soc, M6 X 1.00 X 35, 10.9,NI	6
	29	74077	(10000000- 20000000) Screw, Flt, Soc, M8 X 1.25 X 25, Ss	4
	30	1065665	(10000000- 20000000) Inductor, 32.3mml [Ferrite 10- 250mhz] (Canada Only)	1

▽ ASSEMBLY

▲ INCLUDED IN ASSEMBLY

RECOVERY TANK GROUP

355415



RECOVERY TANK GROUP

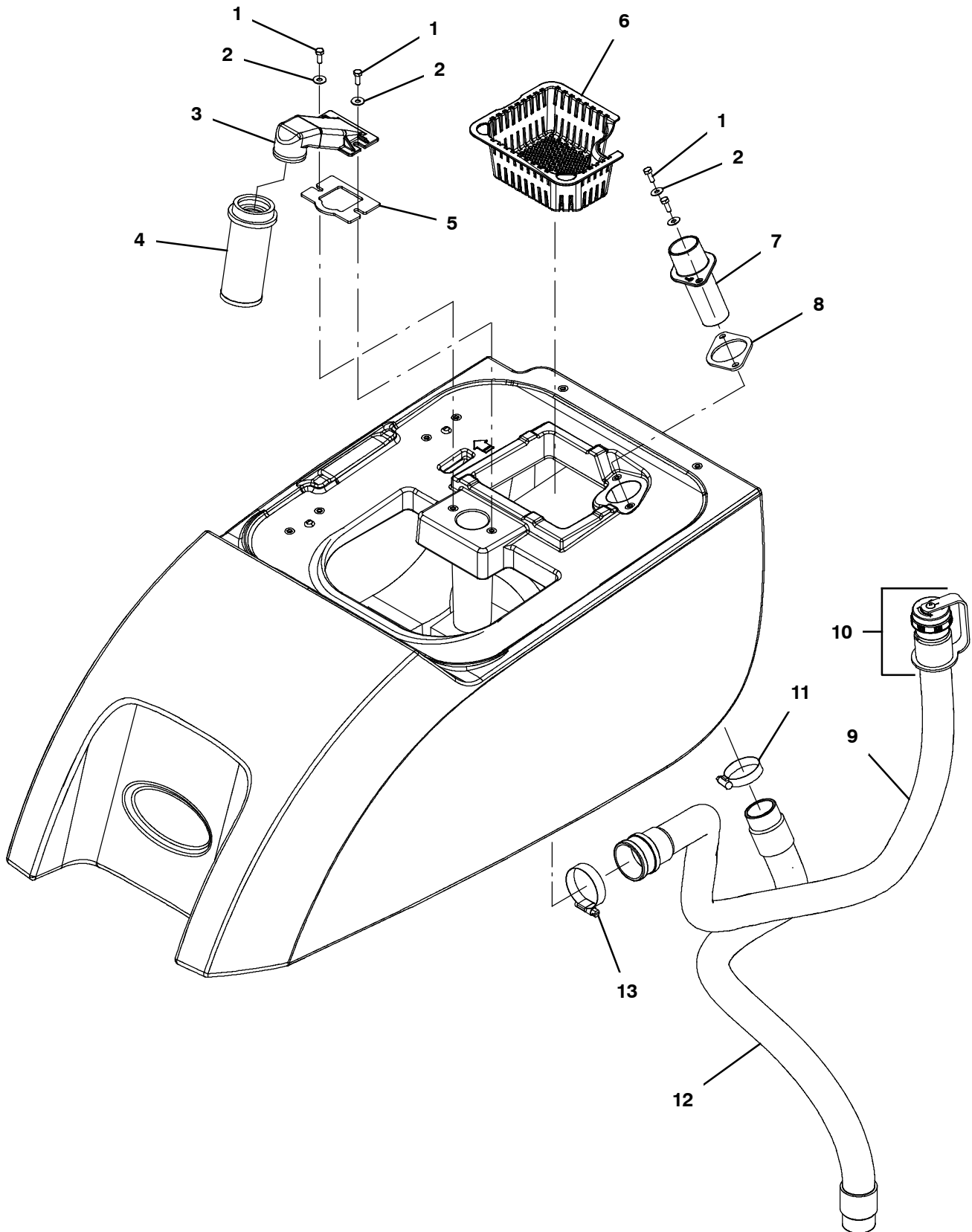
	Ref.	Part No.	Serial Number	Description	Qty.
▽	1	9015750	(10000000- 20000000)	Kit, Cover, Recvy, Ci [Na,T500]	1
▲	2	9015756	(10000000- 20000000)	Seal, Cover, Recvy, Ci [T500]	1
	3	1219333	(10000000- 20000000)	Support, Lid, Recvy Tank	1
	4	1034731	(10000000- 20000000)	Screw, Hex, M6 X 1.00 X 16, Sems, Ss	12
	5	1046631	(10000000- 20000000)	Knob, Rnd, 19.4d 7.6l M6 X 20, Plstc, PI	2
	6	1223499	(10000000- 20000000)	Shield, Spray, Recvy Tank	1
	7	11329	(10000000- 20000000)	Screw, Hex, M6 X 1.00 X 16, NI, Ss	3
	8	01684	(10000000- 20000000)	Washer, Flat, 0.27b 0.69d .05, Ss	3
	9	1207368	(10000000- 20000000)	Mount, Vacfan, 5.7/6.6	1
	10	1062016	(10000000- 20000000)	Isolator, Vib, .75d	3
▽	11	1226905	(10000000- 20000000)	Fan, Vacuum, 6.6d, 024vdc, 2 Stage (Canada Also Requires Qty 1 Ferrite #1065665)	1
▲		1206774	(10000000- 20000000)	Vr, Brush Kit, Motor, Fan	1
	12	1068577	(10000000- 20000000)	Muffler, Exhaust, Vacfan, 150mml [T2/T3]	1
	13	100038	(10000000- 20000000)	Gasket, .50, 02.63id 05.75od, Adh [Epdm]	1
	14	1217669	(10000000- 20000000)	Hinge Assy, 7.0 Pin, 11 Ga, 100l X 105w	2
	15	9015757	(10000000- 20000000)	Seal, Tank, Recvy, Ci [T500/T500e]	1
	16	9015760	(10000000- 20000000)	Kit, Tank, Recvy, Ci [T500]	1
	17	1219334	(10000000- 20000000)	Hinge, 4mm Pin, 2.0thk X 83.0mmw, 3 Leaf	2
	18	1210807	(10000000- 20000000)	Wire, Tie [W/.25" Fir Tree Clip]	1
	19	1065665	(10000000- 20000000)	Inductor, 32.3mml [Ferrite 10- 250mhz] (Canada Only)	1
	20	1253003	(11010147- 20000000)	Bracket, Hanger, Sqge, Top [T500]	1

▽ ASSEMBLY

▲ INCLUDED IN ASSEMBLY

RECOVERY TANK FILTER AND HOSE GROUP, STANDARD SCREW CAP

355416



RECOVERY TANK FILTER AND HOSE GROUP, STANDARD SCREW CAP

Ref.	Part No.	Serial Number	Description	Qty.
1	11329	(10000000- 20000000)	Screw, Hex, M6 X 1.00 X 16, NI, Ss	2
2	01684	(10000000- 20000000)	Washer, Flat, 0.27b 0.69d .05, Ss	2
3	1011777	(10000000- 20000000)	Mount, Float, Mold	1
4	630052	(10000000- 20000000)	Float, Shut- Off, (2)Ball, 1.75d	1
5	1013628	(10000000- 20000000)	Gasket, Mtg, Float, .125th, Neo, Adh	1
6	1207357	(10000000- 20000000)	Tray, Debris, Tank, Recvy [T300]	1
7	1219618	(10000000- 20000000)	Tube, Hose, Adapter, 1.5d [T500]	1
8	1037106	(10000000- 20000000)	Gasket, Adapter, Hose .13, Neo	1
▽	9	1250482	(10984821- 20000000) Hose Assy, Drain, 1.5id X 15.5l [Pvc] (Black - Standard)	1
▲▽	10	1218955	(10000000- 20000000) Cap, Drain Assy [Black]	1
▲▲		1008637	(10000000- 20000000) Seal, Org, 1.48id 1.76od	1
▽	9	1225793	(10000000- 10984820) Hose Assy, Drain, 1.5d 016l 1.5/Cap[Pvc] (Black - Std) (Replaced By 1250482)	1
▲▽	10	1218955	(10000000- 20000000) Cap, Drain Assy [Black]	1
▲▲		1008637	(10000000- 20000000) Seal, Org, 1.48id 1.76od	1
	11	11531	(10000000- 20000000) Clamp, Hose, Wormdrive, 1.06- 2.00d, .56w	1
	12	1211220	(10000000- 20000000) Hose Assy,W/2cuff,1.5d 022l 1.5/1.5[Pvc] (Black - Std)	1
	12	1224414	(10000000- 10984820) Hose Assy, W/2cuff,1.5d 033l 1.5/1.5[Pu] (Gray - Option) (NLA - Replaced By Black PVC Hose 1211220)	1
	13	22297	(10000000- 20000000) Clamp, Hose, Wormdrive, 1.56- 2.50d, .50w	1

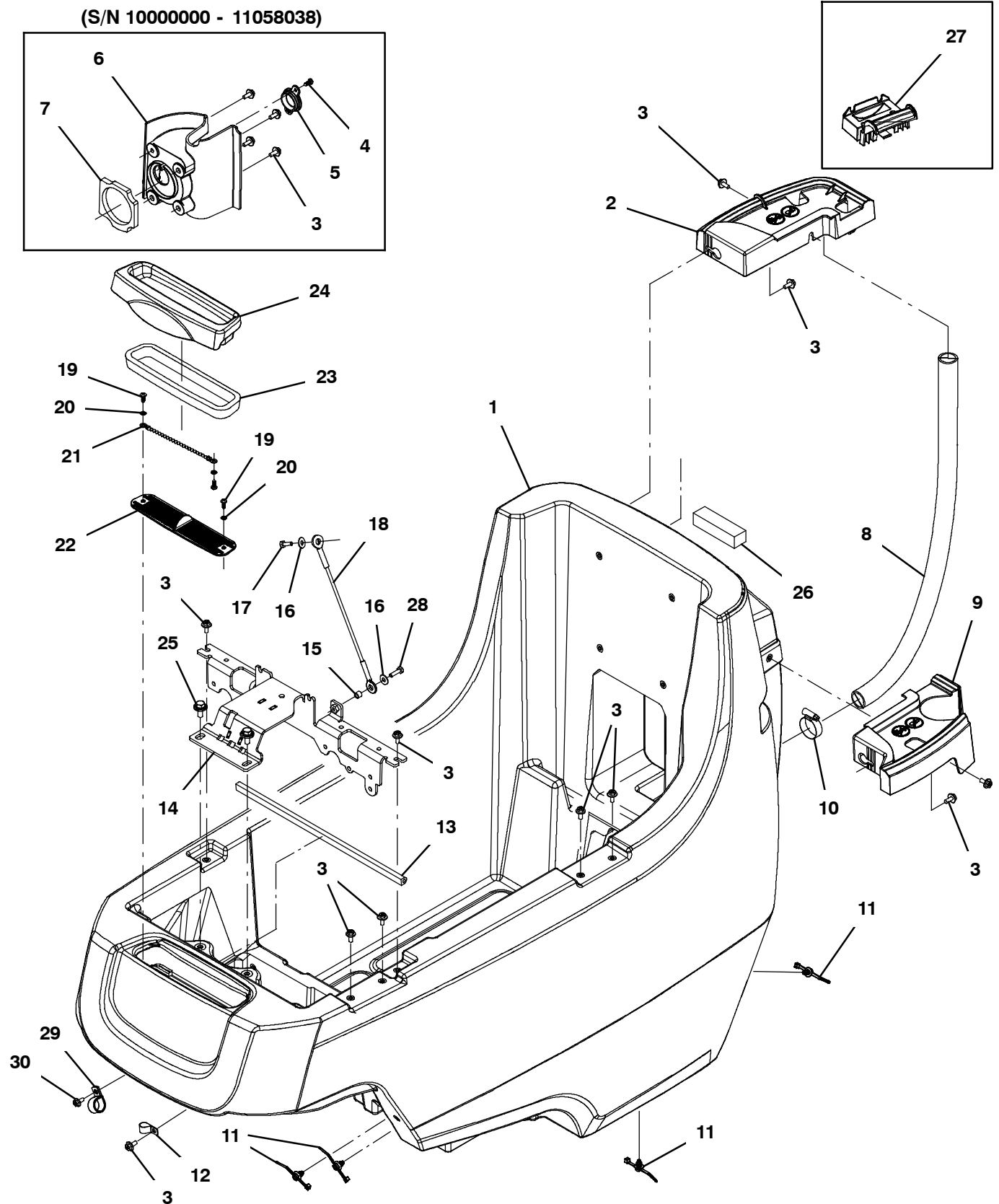
▽ ASSEMBLY

▲ INCLUDED IN ASSEMBLY

SOLUTION TANK GROUP

355414

(S/N 1000000 - 11058038)

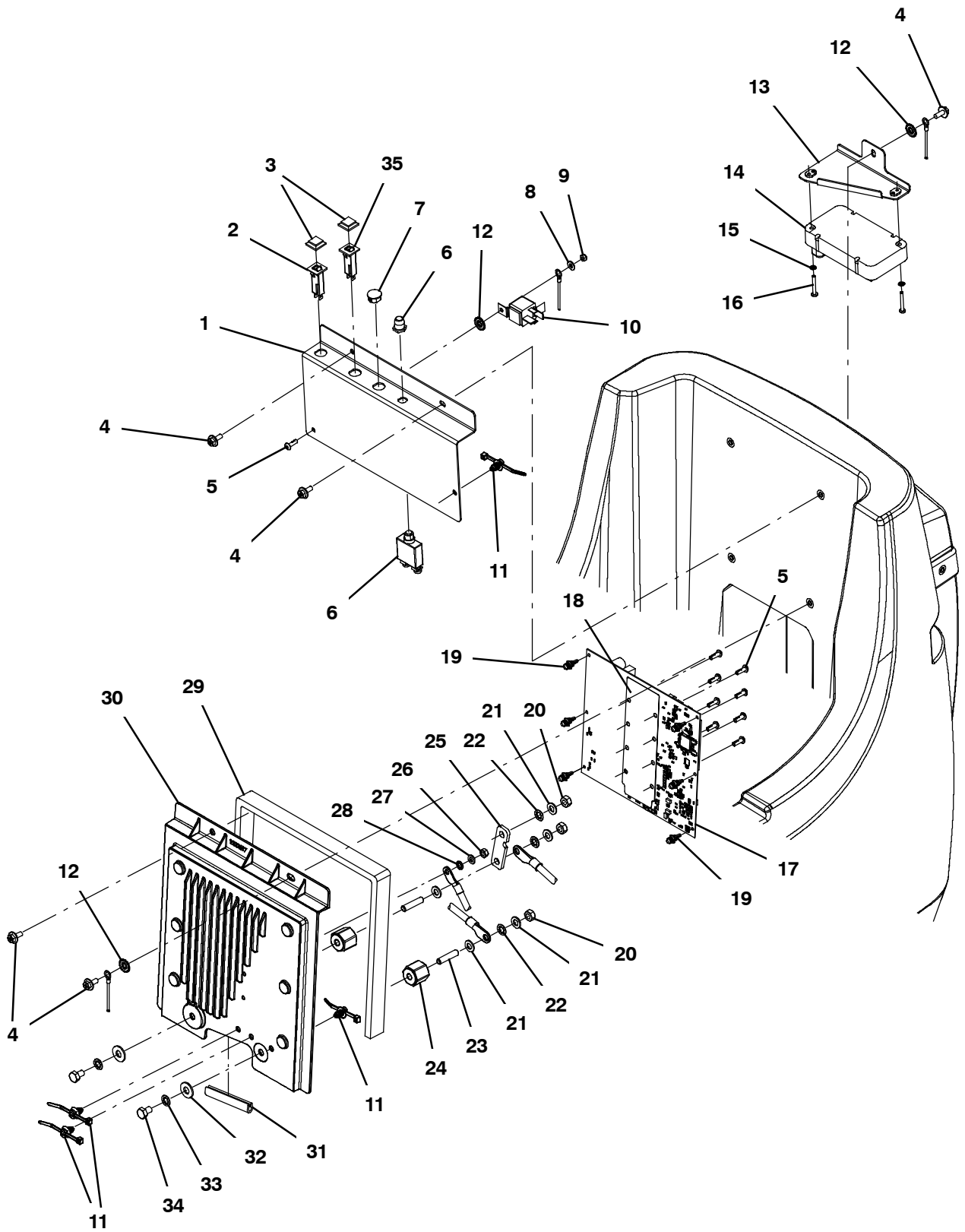


SOLUTION TANK GROUP

Ref.	Part No.	Serial Number	Description	Qty.
1	9018023	(10000000- 20000000)	Tank Kit, Soltn, Ci [T500]	1
2	1237555	(10895989- 20000000)	Tray, Accssry, Rh, [T500]	1
2	1218444	(10000000- 10895988)	Tray, Accssry, Rh, [Rhine] (Replaced By 1237555)	1
3	1034731	(11058039- 20000000)	Screw, Hex, M6 X 1.00 X 16, Sems, Ss	11
3	1034731	(10000000- 11058038)	Screw, Hex, M6 X 1.00 X 16, Sems, Ss	15
4	1018155	(10000000- 11058038)	Screw, Pan, Phl, M5 X 0.80 X 16, Tcut,Ss	1
5	1012965	(10000000- 11058038)	Cap, Port, Soltn Fill	1
6	1225412	(10000000- 11058038)	Cover, Standard- Fill	1
7	1220263	(10000000- 11058038)	Seal, Bulk Head, Water	1
8	9015728	(10000000- 20000000)	Hose Kit, Drain, Soln, Ci [T500/T500e]	1
9	1218443	(10000000- 20000000)	Tray, Accssry, Lh, [Rhine]	1
10	11399	(10000000- 20000000)	Clamp, Hose, Wormdrive, 0.81- 1.50d, .50w	1
11	1210807	(10000000- 20000000)	Wire, Tie [W/.25" Fir Tree Clip]	4
12	140300	(10000000- 20000000)	Clamp, Cable, Stl, 0.50d [Insulated]	1
13	1066431	(10000000- 20000000)	Seal, Afmkt, Bulb, Dual, 03ft [F/.30gap]	1
14	1221012	(10000000- 20000000)	Bracket Wldt, Actuator	1
15	140154	(10000000- 20000000)	Sleeve, P/M, 0.25b 0.38d 0.3l, PI	1
16	01684	(10000000- 20000000)	Washer, Flat, 0.27b 0.69d .05, Ss	2
17	11329	(10000000- 20000000)	Screw, Hex, M6 X 1.00 X 16, NI, Ss	1
18	1221803	(10000000- 20000000)	Cable, Glv .13d 10.5l .38eye /.38eye	1
19	1018155	(10000000- 20000000)	Screw, Pan, Phl, M5 X 0.80 X 16, Tcut,Ss	3
20	07514	(10000000- 20000000)	Washer, Lock, Int, 10, Ss	3
21	621443	(10000000- 20000000)	Chain, Ball, 10, 0157mml, Ss	1
22	1219917	(10000000- 20000000)	Screen, Fltr, 2.0 X 8.7	1
23	9015758	(10000000- 20000000)	Seal, Tank, Soltn, Ci [T500/T500e]	1
24	1218043	(10000000- 20000000)	Cover, Fill, Front	1
24	9015759	(10000000- 20000000)	Kit, Cover, Fill [T500/T500e] (ec- H2O Models)	1
25	1020341	(10000000- 20000000)	Screw, Hex, M8 X 1.25 X 20, Ss, Sems	2
26	1229734	(10000000- 20000000)	Seal, Neo, 0.88, 1.00w 3.6l Adh	1
27	1214292	(10000000- MAY2022)	Bracket, Hanger, Rail, Lrg (Option - No Longer Available)	1
28	12277	(10000000- 20000000)	Screw, Hex, M6 X 1.00 X 20, NI, Ss	1
29	40678- 1	(10000000- 20000000)	Clamp, Cable, Stl, 0.88d X 0.62w, 1hole (Models w/out ABW Option)	1
30	1034731	(10000000- 20000000)	Screw, Hex, M6 X 1.00 X 16, Sems, Ss (Models w/out ABW Option)	1

STANDARD ELECTRICAL GROUP

355442



STANDARD ELECTRICAL GROUP

Ref.	Part No.	Serial Number	Description	Qty.	
1	1218761	(10000000- 20000000)	Bracket, Mtg [Circuitbreakers- T500]	1	
2	1208816	(10000000- 20000000)	Circuitbreaker, 04.0a, Resetable	1	
3	1064191	(10000000- 20000000)	Boot, Circuitbreaker	2	
4	1034731	(10000000- 20000000)	Screw, Hex, M6 X 1.00 X 16, Sems, Ss	5	
5	1205799	(10000000- 20000000)	Screw, Btn, M5 X 0.8 X 16, 8.8, NI, Torx	9	
6	383729	(10000000- 20000000)	Circuitbreaker, 60.0a	1	
7	1058340	(10000000- 20000000)	Plug, Hole, Rnd, 0.63h 0.1l, Blk (Models without Spray Wand Option)	1	
8	01683	(10000000- 20000000)	Washer, Flat, 10, Ss	1	
9	09739	(10000000- 20000000)	Nut, Hex, Lock, M5 X 0.80, NI, Ss	1	
10	1228510	(10000000- 20000000)	Relay, 24vdc, 80a, Spst No, Plug- In	1	
11	1210807	(10000000- 20000000)	Wire, Tie [W/.25" Fir Tree Clip]	4	
12	41140	(10000000- 20000000)	Washer, Lock, Int- Ext, 0.25	3	
13	1223824	(10000000- 20000000)	Bracket Wldt, Mtg, Cntrl, [T300/T300e]	1	
14	9015776*	(10000000- 20000000)	Drive Module Kit, Ci	1	
15	02938	(10000000- 20000000)	Washer, Lock, Int, 08, Ss	2	
16	33931	(10000000- 20000000)	Screw, Pan, Phl, M4 X 0.70 X 30, Ss	2	
▽	17	9015784	(10000000- 20000000)	Kit, Control Board, Ci [T500]	1
▲		27964	(10000000- 20000000)	Strap, Ground, Static, Disposable	1
▲		1071235	(10000000- 20000000)	Cable [Usb, 2m, A- Male To Mini- B- Male]	1
18	1220930	(10000000- 20000000)	Circuitboard, Silpad [T500, Main Scrub]	1	
19	1209448	(10000000- 20000000)	Standoff, Circuitboard, .25	1	
20	41361	(10000000- 20000000)	Nut, Hex, Std, M8 X 1.25, Brs	6	
21	1209373	(10000000- 20000000)	Washer, Flat, M8.4b X 16d X 1.6, Brs	3	
22	43952	(10000000- 20000000)	Washer, Lock, Int, 0.31, Ss	5	
23	607461	(10000000- 20000000)	Screw, Set, M8 X 1.25 X 35, NI	3	
24	1205345	(10000000- 20000000)	Stand- Off, Wir, M8, Insulator, Panel	2	
25	1212780	(10000000- 20000000)	Busbar, 125a 0.188 0.750w 2.638l	2	
26	1061910	(10000000- 20000000)	Nut, Hex, Std, M6 X 1.00, Brs	1	
27	1061918	(10000000- 20000000)	Washer, Flat, 0.25b 0.47d .06, Brs	1	
28	07515	(10000000- 20000000)	Washer, Lock, Int, 0.25, Ss	1	
29	1219045	(10000000- 20000000)	Gasket, Cover, Circuitboard	1	
30	1234401	(10000000- 20000000)	Heatsink, Mtg, Circuitboard, Machined	1	
31	1020174	(10000000- 20000000)	Molding, Afmkt, Trim, Pvc, .08 .11, 03ft	1	
32	01685	(10000000- 20000000)	Washer, Flat, 0.38b 0.88d .08, Ss	2	
33	32984	(10000000- 20000000)	Washer, Lock, Int, 0.31	2	
34	386868	(10000000- 20000000)	Screw, Hex, M8 X 1.25 X 12, Ss	2	
35	1064187	(10000000- 20000000)	Circuitbreaker, 10.0a, Resetable	1	

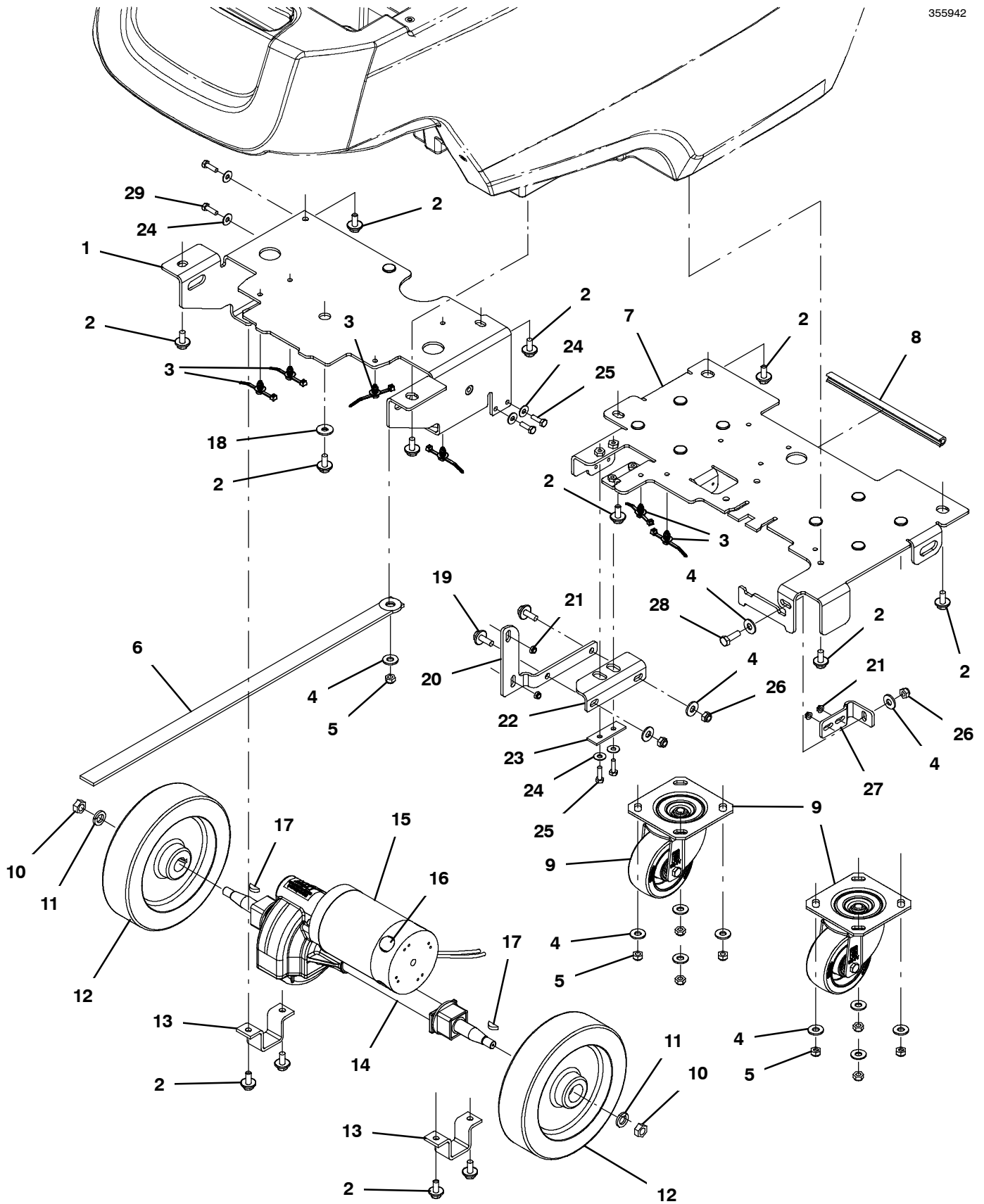
* Requires Tennant *True* service or an authorized Tennant service provider.

▽ ASSEMBLY

▲ INCLUDED IN ASSEMBLY

FRAME AND DRIVE GROUP (S/N 11064202 -)

355942



FRAME AND DRIVE GROUP (S/N 11064202 -)

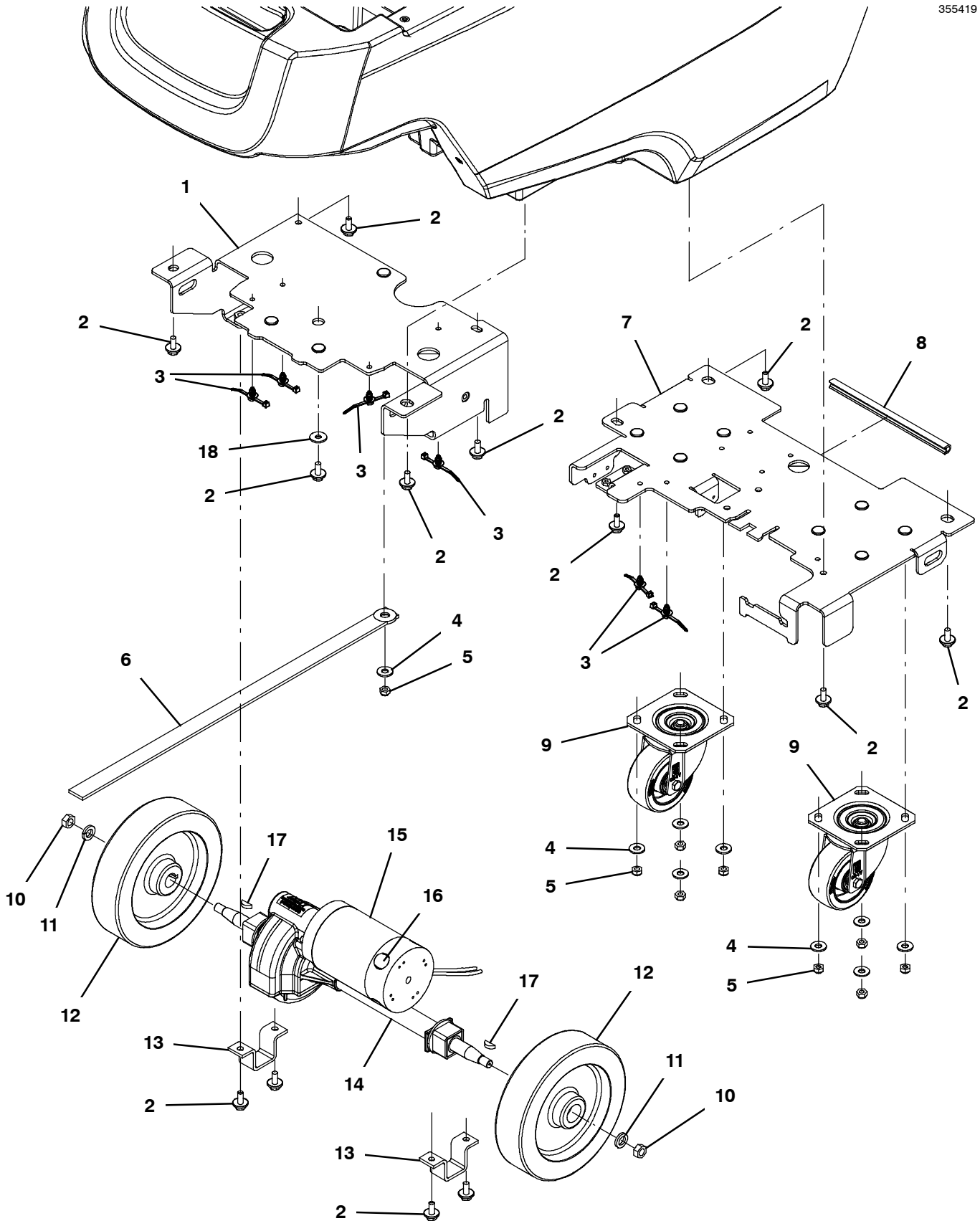
Ref.	Part No.	Serial Number	Description	Qty.	
1	1256615	(11064202- 20000000)	Frame Wldt, Front [T500]	1	
2	1020341	(10000000- 20000000)	Screw, Hex, M8 X 1.25 X 20, Ss, Sems	13	
3	1210807	(10000000- 20000000)	Wire, Tie [W/.25" Fir Tree Clip]	6	
4	01685	(11064202- 20000000)	Washer, Flat, 0.38b 0.88d .08, Ss	13	
5	08713	(10000000- 20000000)	Nut, Hex, Lock, M8 X 1.25, NI, Ss	9	
6	71579	(10000000- 20000000)	Strap, Static, W/Grommet, .19 1.1w 25.0l	1	
7	1261154	(11064202- 20000000)	Frame Wldt, Rear [T500]	1	
8	1020168	(10000000- 20000000)	Molding, Afmkt, Trim, Pvc, .08 .11, 01ft	1	
9	1212422	(10000000- 20000000)	Caster, Swivel [Wicke 224051]	2	
10	09741	(10000000- 20000000)	Nut, Hex, Lock, M12 X 1.75, NI, Ss	2	
11	140058	(10000000- 20000000)	Washer, Flat, 0.54b 0.88d .06, Ss [Wand]	2	
12	1223582	(11046266- 20000000)	Wheel, Scrbr, 8.00d, W/ Taper	2	
13	606001	(10000000- 20000000)	Bracket, Mtg, Transaxle, PI [1510, T5]	2	
▽	14	1220970	(10000000- 20000000)	Transaxle, Ele, 24vdc, 107rpm [Asi, 4]	1
▲		612874	(10000000- 20000000)	Coupling, Transaxle, Replmt	1
▲		612880	(10000000- 20000000)	Joint, Transaxle, Replmt	1
▲▽	15	1031723	(10000000- 20000000)	Motor, Transaxle, 24vdc, Afmkt [T5]	1
▲▲	16	614166	(10000000- 20000000)	Brush Kit, Carbon, Transaxle, Replmt [4]	1
▲	17	1021167	(10000000- 20000000)	Key, Woodruff, 5mm	2
	18	39890	(10000000- 20000000)	Washer, Flat, M8, Fendr	1
	19	1072628	(11064202- 20000000)	Screw, Hex, M8 X 1.25 X 25, Ss, Sems	2
	20	1259657	(11064202- 20000000)	Bracket, Spanning Vert [T500]	1
	21	1040381	(11064202- 20000000)	Nut, Hex, Flng, M6 X 1.0, Ss [Serrated]	4
	22	1259658	(11064202- 20000000)	Bracket, Spanning Angle [T500]	1
	23	1260051	(11064202- 20000000)	Plate, Bracket, Spanning	1
	24	01684	(11064202- 20000000)	Washer, Flat, 0.27b 0.69d .05, Ss	5
	25	08716	(11064202- 20000000)	Screw, Hex, M6 X 1.00 X 20, Ss	2
	26	08713	(11064202- 20000000)	Nut, Hex, Lock, M8 X 1.25, NI, Ss	3
	27	1256017	(11064202- 20000000)	Bracket, Spanning [T500]	1
	28	09010	(11064202- 20000000)	Screw, Hex, M8 X 1.25 X 25, Ss	1
	29	08716	(11064202- 20000000)	Screw, Hex, M6 X 1.00 X 20, Ss	2

▽ ASSEMBLY

▲ INCLUDED IN ASSEMBLY

FRAME AND DRIVE GROUP (S/N 1000000 - 11064201)

355419



FRAME AND DRIVE GROUP (S/N 1000000 - 11064201)

(Note: Solution Tank Support Bracket Upgrade Kit Available, Tennant Part Number 9021792 Pages 140- 141)

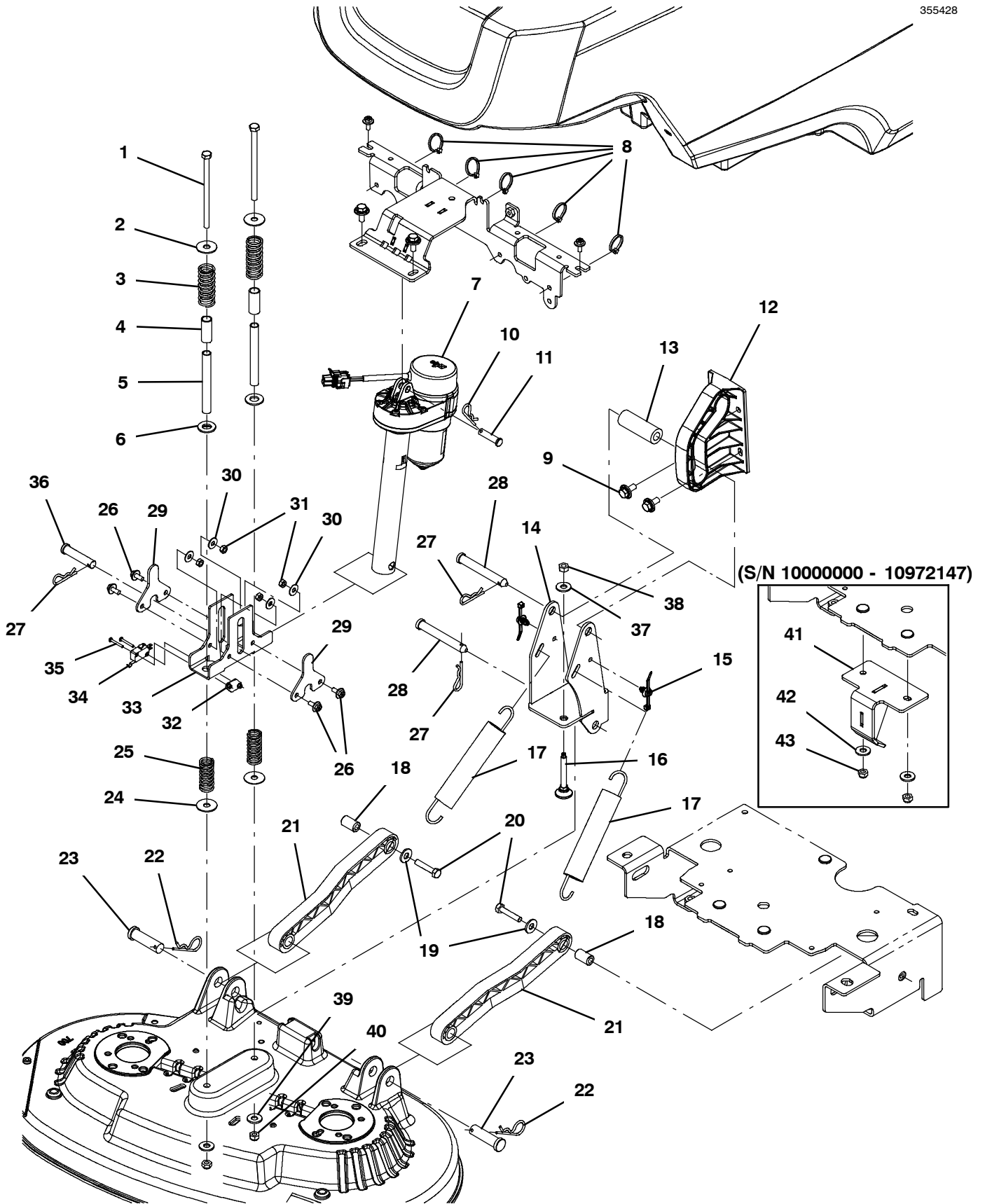
Ref.	Part No.	Serial Number	Description	Qty.
1	1256615	(11046266- 11064201)	Frame Wldt, Front [T500]	1
1	1219118	(10000000- 11046265)	Frame Wldt, Front [T500]	1
2	1020341	(10000000- 20000000)	Screw, Hex, M8 X 1.25 X 20, Ss, Sems	13
3	1210807	(10000000- 20000000)	Wire, Tie [W/.25" Fir Tree Clip]	6
4	01685	(10000000- 11064201)	Washer, Flat, 0.38b 0.88d .08, Ss	9
5	08713	(10000000- 20000000)	Nut, Hex, Lock, M8 X 1.25, NI, Ss	9
6	71579	(10000000- 20000000)	Strap, Static, W/Grommet, .19 1.1w 25.0l	1
7	1219137	(10000000- 11064201)	Frame Wldt, Rear [T500]	1
8	1020168	(10000000- 20000000)	Molding, Afmkt, Trim, Pvc, .08 .11, 01ft	1
9	1212422	(10000000- 20000000)	Caster, Swivel [Wicke 224051]	2
10	09741	(10000000- 20000000)	Nut, Hex, Lock, M12 X 1.75, NI, Ss	2
11	140058	(10000000- 20000000)	Washer, Flat, 0.54b 0.88d .06, Ss [Wand]	2
12	1223582	(11046266- 20000000)	Wheel, Scrbr, 8.00d, W/ Taper	2
▽	9004909	(10000000- 11046265)	Wheel Kit, Solid, Ci [T5 T5e Ss5] (No Longer Available - Replaced By 1223583 Qty 2)	1
▲	12 1223583	(10000000- 11046265)	Wheel, Scrbr, 213mm, W/ Taper	2
13	606001	(10000000- 20000000)	Bracket, Mtg, Transaxle, PI [1510, T5]	2
▽	14 1220970	(10000000- 20000000)	Transaxle, Ele, 24vdc, 107rpm [Asi, 4]	1
▲	612874	(10000000- 20000000)	Coupling, Transaxle, Replmt	1
▲	612880	(10000000- 20000000)	Joint, Transaxle, Replmt	1
▲▽	15 1031723	(10000000- 20000000)	Motor, Transaxle, 24vdc, Afmkt [T5]	1
▲▲	16 614166	(10000000- 20000000)	Brush Kit, Carbon, Transaxle, Replmt [4]	1
▲	17 1021167	(10000000- 20000000)	Key, Woodruff, 5mm	2
	18 39890	(10000000- 20000000)	Washer, Flat, M8, Fendr	1

▽ ASSEMBLY

▲ INCLUDED IN ASSEMBLY

HEAD LIFT GROUP, DISK

355428

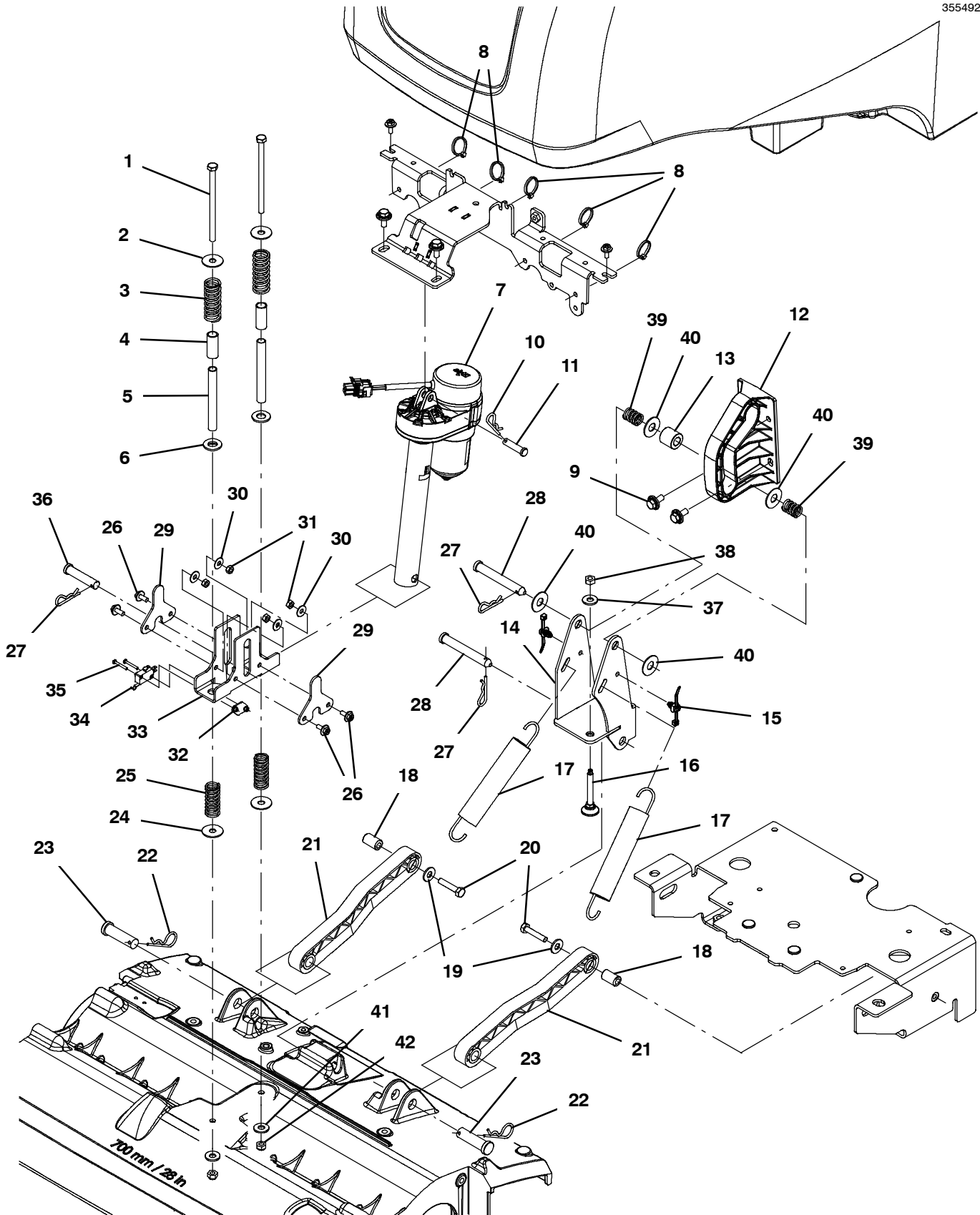


HEAD LIFT GROUP, DISK

Ref.	Part No.	Serial Number	Description	Qty.
1	387431	(10000000- 20000000)	Screw, Hex, M8 X 1.25 X 130, Ss	2
2	32662	(10000000- 20000000)	Washer, Flat, 0.38b 1.22d .06, Ss	2
3	45261	(10000000- 20000000)	Spring, Cmpr, 0.97od .11wir 02.5l	2
4	1224334	(10000000- 20000000)	Sleeve, P/M, 0.51b 0.63d 1.5l, PI	2
5	1219491	(10000000- 20000000)	Sleeve, 0.40id .50d 4.25l, Ss	2
6	32486	(10000000- 20000000)	Washer, Flat, 0.53b 1.06d .10, Stl, PI	2
7	1221206	(10000000- 20000000)	Actuator, 24vdc, 07.0strk, 0600lb	1
8	49263	(10000000- 20000000)	Tie, Cable, Nyl, 11.4l .19w 3.0 Max D	5
9	1020341	(10000000- 20000000)	Screw, Hex, M8 X 1.25 X 20, Ss, Sems	4
10	140626	(10000000- 20000000)	Pin, Cotter, Hair, 0.25d .125 Wir	1
11	29558	(10000000- 20000000)	Pin, Clevis, 0.37d X 1.50l	1
12	1219912	(10000000- 20000000)	Bracket, Guide, Head[T500]	1
13	1220305	(10000000- 20000000)	Tube, Plstc, 0.51id 0.98od 02.8l	1
14	1221507	(10000000- 20000000)	Pivot Wldt, Head, Scrub [T500]	1
15	1210807	(10000000- 20000000)	Wire, Tie [W/.25" Fir Tree Clip]	2
16	1227530	(10000000- 20000000)	Screw, Leveler, M8x75	1
17	222363	(10000000- 20000000)	Spring, Extn, 1.23od 0.15wir 06.5l	2
18	606056	(10000000- 20000000)	Tube, 0.32id 0.62od 01.0l, Stl, PI	2
19	01685	(10000000- 20000000)	Washer, Flat, 0.38b 0.88d .08, Ss	2
20	74440	(10000000- 20000000)	Screw, Hex, M8 X 1.25 X 40, NI, Ss	2
21	222027	(10000000- 20000000)	Arm, Lift, Head	2
22	02942	(10000000- 20000000)	Pin, Hair, Cotter, 0.62d .120 Wir	2
23	222210	(10000000- 20000000)	Pin, Clevis, 0.62d X 2.12l	2
24	32662	(10000000- 20000000)	Washer, Flat, 0.38b 1.22d .06, Ss	2
25	63185	(10000000- 20000000)	Spring, Cmpr, 0.85od .09wir 02.0l	2
26	1034731	(10000000- 20000000)	Screw, Hex, M6 X 1.00 X 16, Sems, Ss	4
27	140626	(10000000- 20000000)	Pin, Cotter, Hair, 0.25d .125 Wir	3
28	374225	(10000000- 20000000)	Pin, Clevis, 0.50d X 3.75l	2
29	1225719	(10000000- 20000000)	Bracket, Pin Holder	2
30	01684	(10000000- 20000000)	Washer, Flat, 0.27b 0.69d .05, Ss	4
31	07785	(10000000- 20000000)	Nut, Hex, Std, M6 X 1.00, Ss	4
32	1013705	(10000000- 20000000)	Plate, Thread, Switch, M3 Nut, 96hr PI	1
33	1224191	(10000000- 20000000)	Bracket, Spring, Suspension, Head	1
34	1215716	(10000000- 20000000)	Switch, 0.1a, Spdt[Micro, Gold Contacts]	1
35	33933	(10000000- 20000000)	Screw, Pan, Phl, M3 X 0.50 X 25, Ss	2
36	11211	(10000000- 20000000)	Pin, Clevis, 0.50d X 2.25l	1
37	01685	(10000000- 20000000)	Washer, Flat, 0.38b 0.88d .08, Ss	1
38	07786	(10000000- 20000000)	Nut, Hex, Std, M8 X 1.25, Ss	1
39	01685	(10000000- 20000000)	Washer, Flat, 0.38b 0.88d .08, Ss	2
40	08713	(10000000- 20000000)	Nut, Hex, Lock, M8 X 1.25, NI, Ss	2
41	1222374	(10000000- 10972147)	Frame Wldt, Hardstop [T500] (No Longer Available)	1
42	01685	(10000000- 10972147)	Washer, Flat, 0.38b 0.88d .08, Ss	2
43	08713	(10000000- 10972147)	Nut, Hex, Lock, M8 X 1.25, NI, Ss	2

HEAD LIFT GROUP, CYLINDRICAL

355492

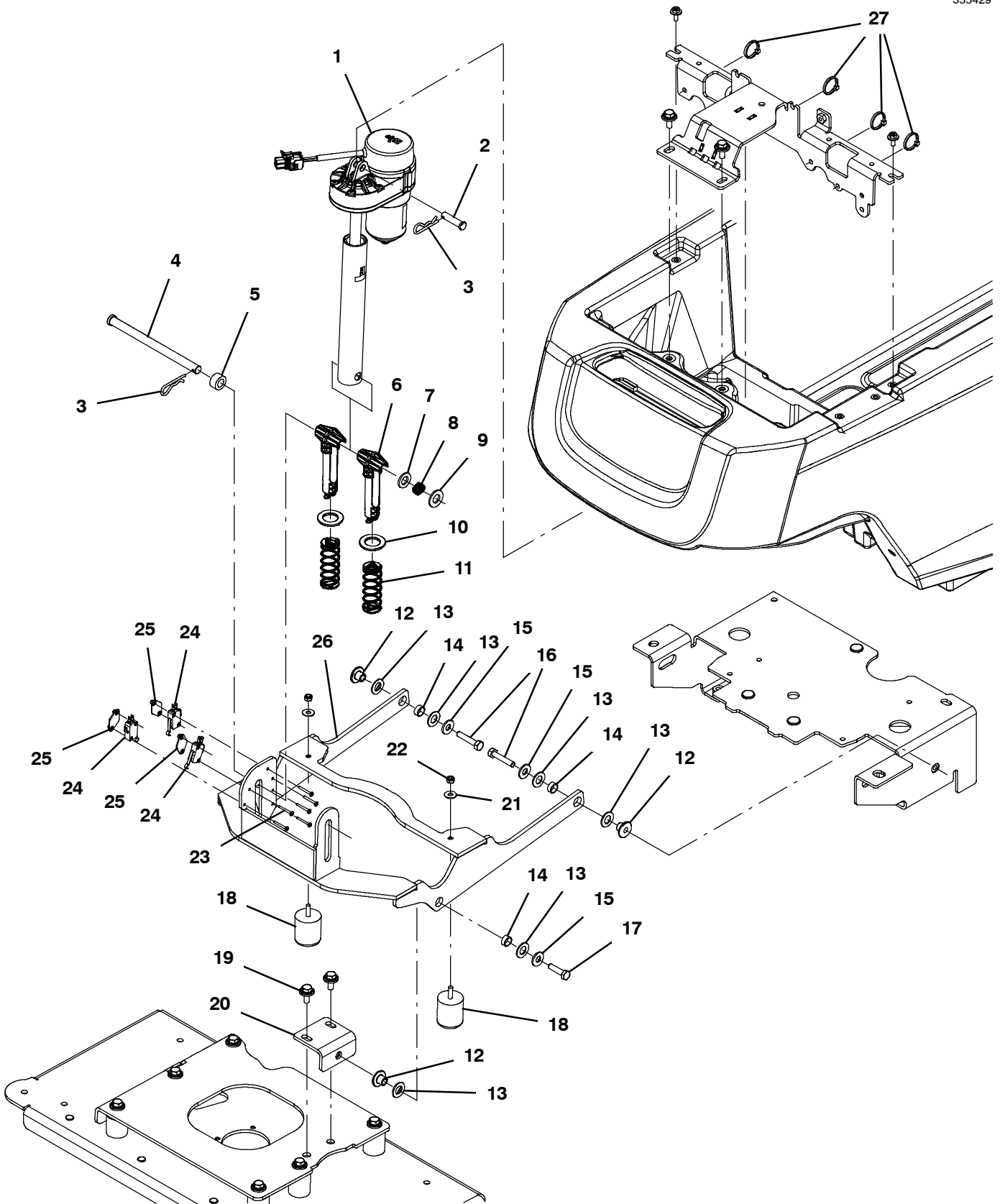


HEAD LIFT GROUP, CYLINDRICAL

Ref.	Part No.	Serial Number	Description	Qty.
1	387431	(10000000- 20000000)	Screw, Hex, M8 X 1.25 X 130, Ss	2
2	32662	(10000000- 20000000)	Washer, Flat, 0.38b 1.22d .06, Ss	2
3	45261	(10000000- 20000000)	Spring, Cmpr, 0.97od .11wir 02.5l	2
4	1224334	(10000000- 20000000)	Sleeve, P/M, 0.51b 0.63d 1.5l, PI	2
5	1219491	(10000000- 20000000)	Sleeve, 0.40id .50d 4.25l, Ss	2
6	32486	(10000000- 20000000)	Washer, Flat, 0.53b 1.06d .10, Stl, PI	2
7	1221206	(10000000- 20000000)	Actuator, 24vdc, 07.0strk, 0600lb	1
8	49263	(10000000- 20000000)	Tie, Cable, Nyl, 11.4l .19w 3.0 Max D	5
9	1020341	(10000000- 20000000)	Screw, Hex, M8 X 1.25 X 20, Ss, Sems	4
10	140626	(10000000- 20000000)	Pin, Cotter, Hair, 0.25d .125 Wir	1
11	29558	(10000000- 20000000)	Pin, Clevis, 0.37d X 1.50l	1
12	1219912	(10000000- 20000000)	Bracket, Guide, Head[T500]	1
13	1014020	(10000000- 20000000)	Roller, 0.99d 0.50b 0.95l, Acetal	1
14	1221507	(10000000- 20000000)	Pivot Wldt, Head, Scrub [T500]	1
15	1210807	(10000000- 20000000)	Wire, Tie [W/.25" Fir Tree Clip]	2
16	1227530	(10000000- 20000000)	Screw, Leveler, M8x75	1
17	222363	(10000000- 20000000)	Spring, Extn, 1.23od 0.15wir 06.5l	2
18	606056	(10000000- 20000000)	Tube, 0.32id 0.62od 01.0l, Stl, PI	2
19	01685	(10000000- 20000000)	Washer, Flat, 0.38b 0.88d .08, Ss	2
20	74440	(10000000- 20000000)	Screw, Hex, M8 X 1.25 X 40, NI, Ss	2
21	222027	(10000000- 20000000)	Arm, Lift, Head	2
22	02942	(10000000- 20000000)	Pin, Hair, Cotter, 0.62d .120 Wir	2
23	222210	(10000000- 20000000)	Pin, Clevis, 0.62d X 2.12l	2
24	32662	(10000000- 20000000)	Washer, Flat, 0.38b 1.22d .06, Ss	2
25	63185	(10000000- 20000000)	Spring, Cmpr, 0.85od .09wir 02.0l	2
26	1034731	(10000000- 20000000)	Screw, Hex, M6 X 1.00 X 16, Sems, Ss	4
27	140626	(10000000- 20000000)	Pin, Cotter, Hair, 0.25d .125 Wir	3
28	374225	(10000000- 20000000)	Pin, Clevis, 0.50d X 3.75l	2
29	1225719	(10000000- 20000000)	Bracket, Pin Holder	2
30	01684	(10000000- 20000000)	Washer, Flat, 0.27b 0.69d .05, Ss	4
31	07785	(10000000- 20000000)	Nut, Hex, Std, M6 X 1.00, Ss	4
32	1013705	(10000000- 20000000)	Plate, Thread, Switch, M3 Nut, 96hr PI	1
33	1224191	(10000000- 20000000)	Bracket, Spring, Suspension, Head	1
34	1215716	(10000000- 20000000)	Switch, 0.1a, Spdt[Micro, Gold Contacts]	1
35	33933	(10000000- 20000000)	Screw, Pan, Phl, M3 X 0.50 X 25, Ss	2
36	11211	(10000000- 20000000)	Pin, Clevis, 0.50d X 2.25l	1
37	01685	(10000000- 20000000)	Washer, Flat, 0.38b 0.88d .08, Ss	1
38	07786	(10000000- 20000000)	Nut, Hex, Std, M8 X 1.25, Ss	1
39	607920	(10000000- 20000000)	Spring, Cmpr, 0.70od .10wir 01.0l, Mw	2
40	140045	(10000000- 20000000)	Washer, Flat, 0.51b 1.25d .06, Ss	4
41	01685	(10000000- 20000000)	Washer, Flat, 0.38b 0.88d .08, Ss	2
42	08713	(10000000- 20000000)	Nut, Hex, Lock, M8 X 1.25, NI, Ss	2

HEAD LIFT GROUP, ORBITAL

355429

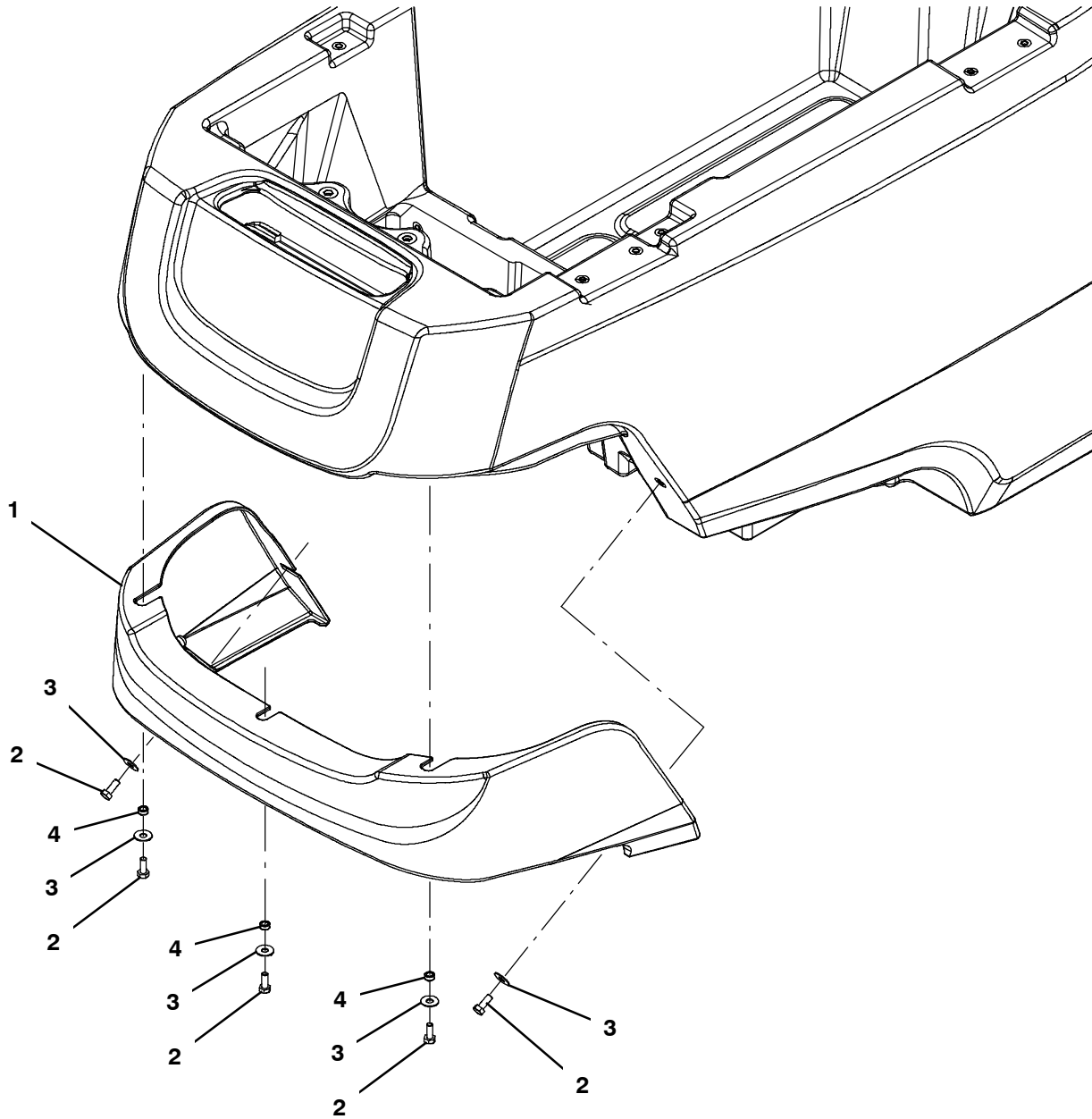


HEAD LIFT GROUP, ORBITAL

Ref.	Part No.	Serial Number	Description	Qty.
1	1221206	(10000000- 20000000)	Actuator, 24vdc, 07.0strk, 0600lb	1
2	29558	(10000000- 20000000)	Pin, Clevis, 0.37d X 1.50l	1
3	140626	(10000000- 20000000)	Pin, Cotter, Hair, 0.25d .125 Wir	1
4	1226754	(10000000- 20000000)	Pin, Clevis, .50d X 7.00l	1
5	1226759	(10000000- 20000000)	Spacer, .500 ld X .875 Od	1
6	1224233	(10000000- 20000000)	Pin, Guide, Spring, Head	2
7	1013936	(10000000- 20000000)	Washer, Flat, 0.51b 0.94d .10, Nyl	1
8	1226640	(10000000- 20000000)	Spring, Wave, .512 ld X .709 Od X .375	1
9	32486	(10000000- 20000000)	Washer, Flat, 0.53b 1.06d .10, Stl, PI	1
10	1225960	(10000000- 20000000)	Washer, Thrust, 0.89b 1.50d 0.13w, Bnz	2
11	1227036	(10000000- 20000000)	Spring, Cmpr, 1.10od .085wir 03.0l	2
12	1059990	(10000000- 20000000)	Sleeve, Flng, 0.32b 1.00/0.50d 0.6l, Ss	3
13	608562	(10000000- 20000000)	Washer, Flat, 0.51b 0.94d .06, Nyl	6
14	630188	(10000000- 20000000)	Bearing, Journal, .50id X .25l	3
15	01685	(10000000- 20000000)	Washer, Flat, 0.38b 0.88d .08, Ss	3
16	74440	(10000000- 20000000)	Screw, Hex, M8 X 1.25 X 40, NI, Ss	2
17	1016399	(10000000- 20000000)	Screw, Hex, M8 X 1.25 X 30, NI, Ss	1
18	1212543	(10000000- 20000000)	Isolator, Neoprene, 1.25" X 1.25", M8	2
19	1020341	(10000000- 20000000)	Screw, Hex, M8 X 1.25 X 20, Ss, Sems	2
20	1224295	(10000000- 20000000)	Brkt Wldt, Lift	1
21	01685	(10000000- 20000000)	Washer, Flat, 0.38b 0.88d .08, Ss	2
22	08713	(10000000- 20000000)	Nut, Hex, Lock, M8 X 1.25, NI, Ss	2
23	33933	(10000000- 20000000)	Screw, Pan, Phl, M3 X 0.50 X 25, Ss	6
24	1215716	(10000000- 20000000)	Switch, 0.1a, Spdt[Micro, Gold Contacts]	3
25	1013705	(10000000- 20000000)	Plate, Thread, Switch, M3 Nut, 96hr PI	3
26	1221043	(10000000- 20000000)	Arm Wldt, Lift	1
27	49263	(10000000- 20000000)	Tie, Cable, Nyl, 11.4l .19w 3.0 Max D	5

SHROUD GROUP, DISK AND ORBITAL

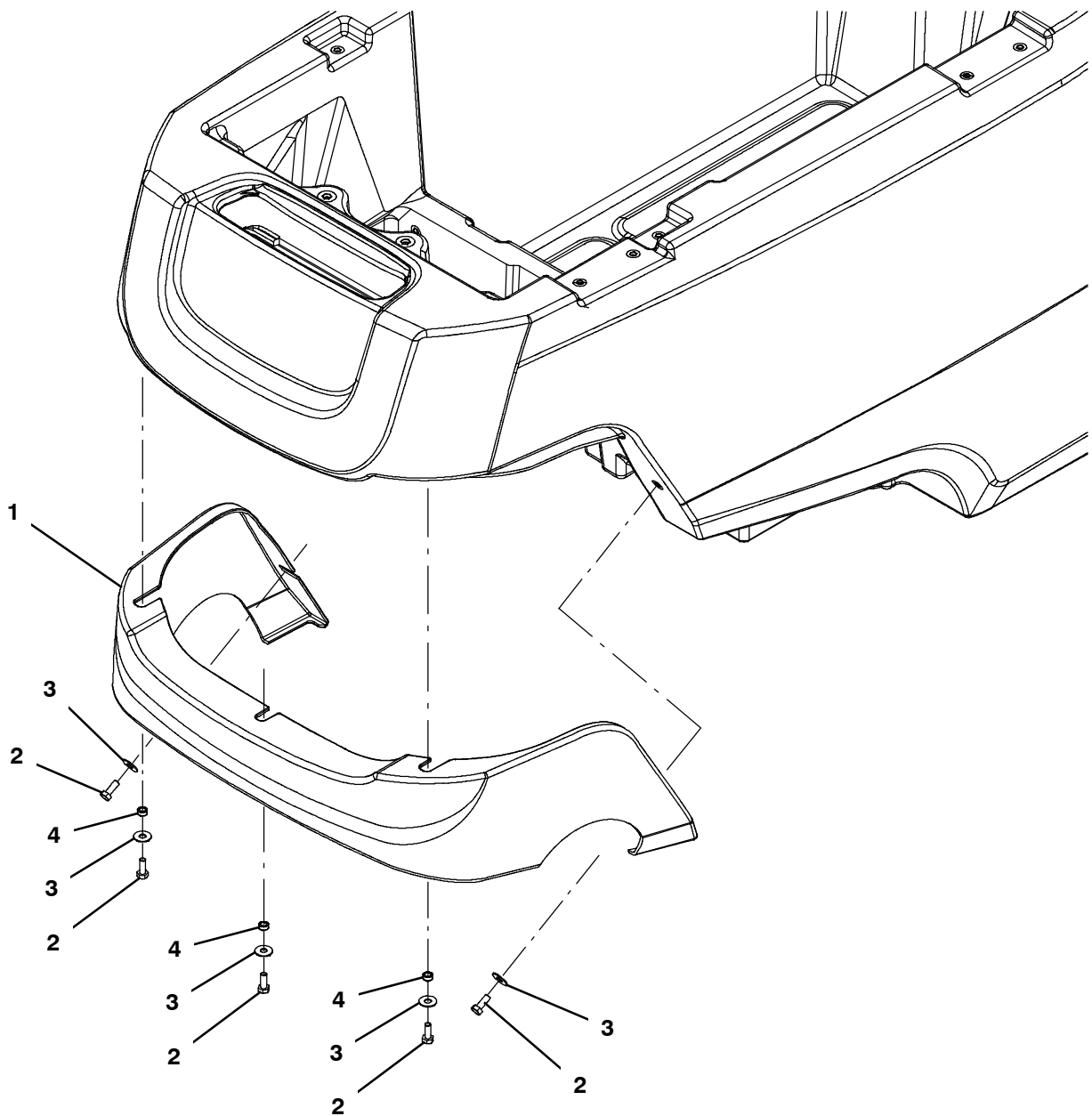
355417



Ref.	Part No.	Serial Number	Description	Qty.
1	1219723	(10000000-20000000)	Cover, Head, Disc [T500]	1
2	11329	(10000000-20000000)	Screw, Hex, M6 X 1.00 X 16, NI, Ss	5
3	01684	(10000000-20000000)	Washer, Flat, 0.27b 0.69d .05, Ss	5
4	80491	(10000000-20000000)	Sleeve, P/M, 0.25b 0.38d 0.2l [430ss]	3

SHROUD GROUP, CYLINDRICAL

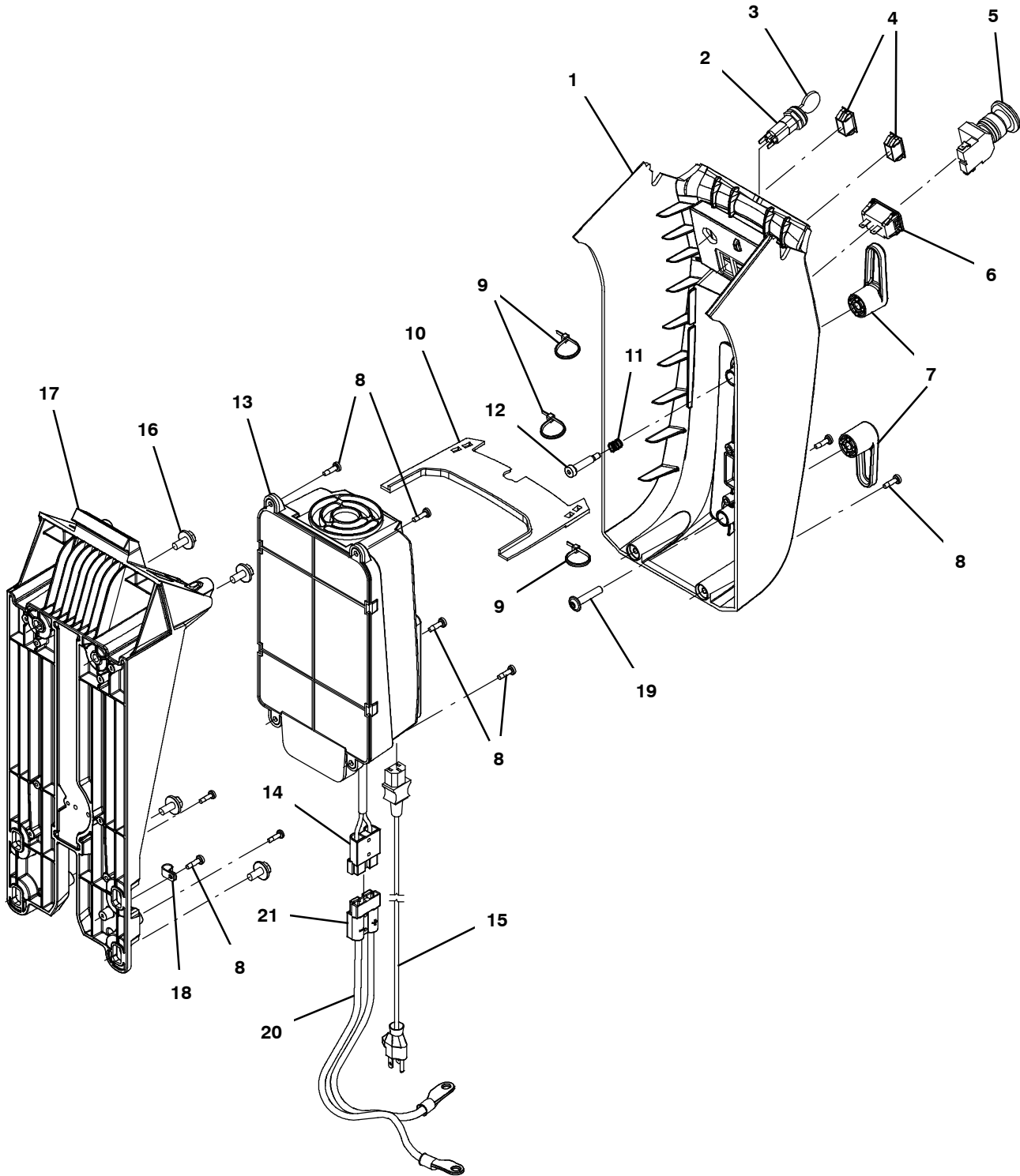
355418



Ref.	Part No.	Serial Number	Description	Qty.
1	1219724	(10000000- 20000000)	Cover, Head, Cylrcrl [T500]	1
2	11329	(10000000- 20000000)	Screw, Hex, M6 X 1.00 X 16, NI, Ss	5
3	01684	(10000000- 20000000)	Washer, Flat, 0.27b 0.69d .05, Ss	5
4	80491	(10000000- 20000000)	Sleeve, P/M, 0.25b 0.38d 0.2l [430ss]	3

LOWER CONSOLE GROUP, ON-BOARD CHARGER

355444



LOWER CONSOLE GROUP, ON-BOARD CHARGER

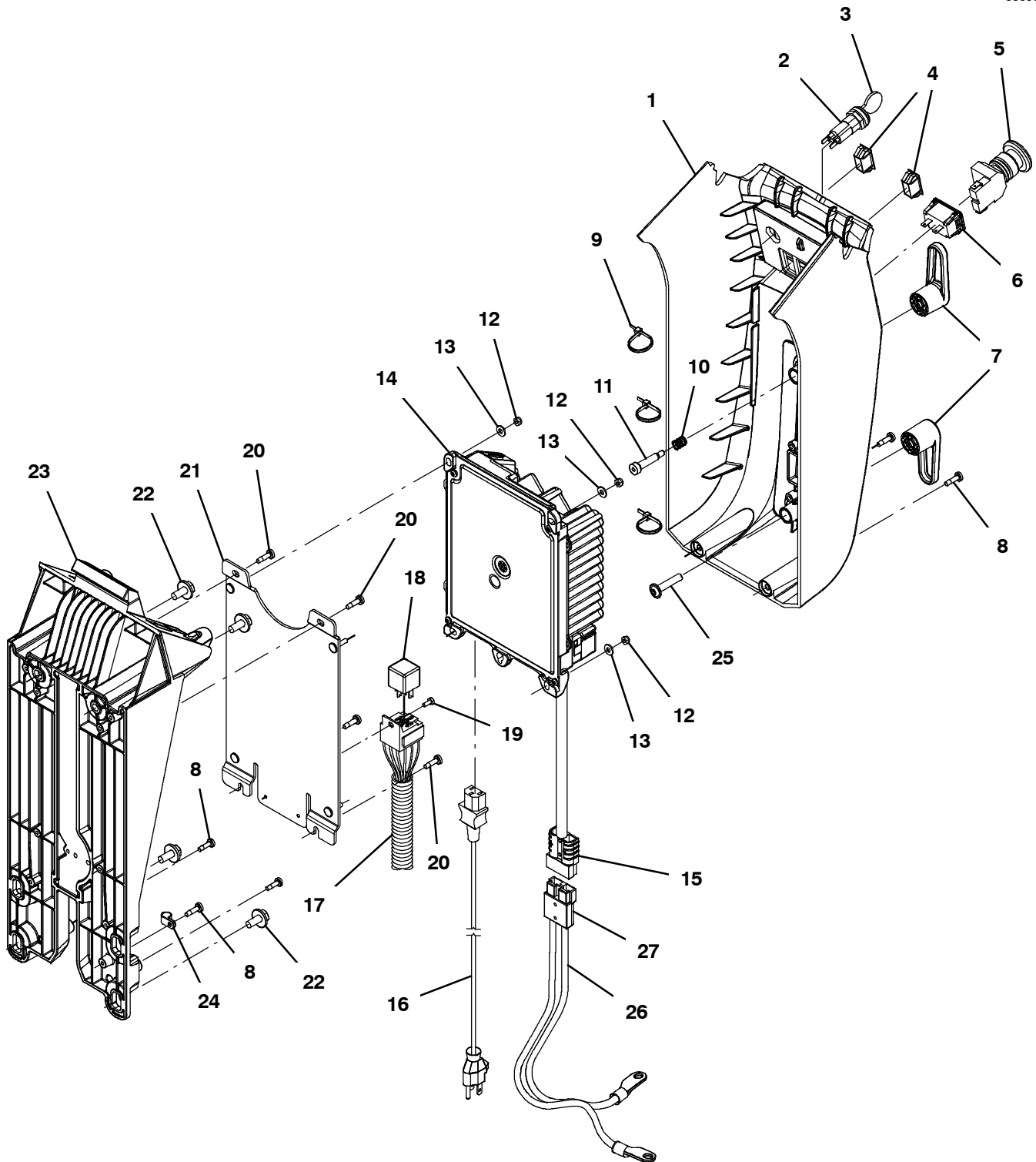
Ref.	Part No.	Serial Number	Description	Qty.
	1	1203802	(10000000- 20000000) Cover, Column, Cntrl	1
▽	2	1011402	(10000000- 20000000) Switch, Key	1
▲	3	1017696	(10000000- 20000000) Key Set, Replmt [F/ Keyswitch 1011402]	1
	4	582150	(10000000- 20000000) Plug, Hole, Rt, 1.23 X 1.12, Nyl	2
	5	1011735	(10000000- 20000000) Switch, Safety, Shutoff	1
	6	1064038	(10000000- 20000000) Gauge, Hourmeter, 05- 277 Volt, Ac / Dc	1
	7	1205496	(10000000- 20000000) Hook, Cord	2
	8	1043573	(10000000- 20000000) Screw, #10- 14 X 0.675, Spl[Shcs,Selftap]	9
	9	130773	(10000000- 20000000) Tie, Cable, Nyl, 11.0l, .14w, 3.0 Max. D	3
	10	1207290	(10000000- 20000000) Cover, Charger	1
	11	611311	(10982559- 20000000) Spring, Cmpr, 0.40od .05wir 00.5l, Pl,Mw	1
	11	611311	(10000000- 10982558) Spring, Cmpr, 0.40od .05wir 00.5l, Pl,Mw	2
	12	1024965	(10982559- 20000000) Bolt, Shld, 08mmd X 030mm, M06 X 1.0	1
	12	1024965	(10000000- 10982558) Bolt, Shld, 08mmd X 030mm, M06 X 1.0	2
▽	13	1250046	(10978950- 20000000) Charger, 24vdc 25a 100- 240vac [On- Board]	1
▽	13	1220856	(10000000- 10978949) Charger, 24vdc 25a 115- 240vac [On- Board] (Replaced By 1250046)	1
▲	14	605387	(10000000- 20000000) Connector, Anderson, 050a, Red [W/O Con]	1
	15	1025642	(10000000- 20000000) Cord, Power, 16/3, 15ft Blk [Us]	1
	15	1026330	(10000000- 20000000) Cord, Power, 1.0mm2 [2.5meter]	1
	15	1026325	(10000000- 20000000) Cord, Power, 1.0mm2/3 Blk[2.5meter, Aus]	1
	15	1048304	(10000000- 20000000) Cord, Power [4.5meter, India, S.Africa]	1
	16	1020341	(10000000- 20000000) Screw, Hex, M8 X 1.25 X 20, Ss, Sems	4
	17	1231373	(10000000- 20000000) Frame, Column, Cntrl [Im], T600	1
	18	378969	(10000000- 20000000) Clamp, Cable, Stl, 0.56d X 0.38w, 1hole	1
	19	1248098	(10982559- 20000000) Screw, Btn, Flng, M6 X 1.0 X 30, 10.9	1
▽	20	1073634	(10000000- 20000000) Harness, Chrgr, 12ga [M8 Ring/M8 Ring]	1
▲	21	605387	(10000000- 20000000) Connector, Anderson, 050a, Red [W/O Con]	1

▽ ASSEMBLY

▲ INCLUDED IN ASSEMBLY

LOWER CONSOLE GROUP, ON-BOARD CHARGER, TPPL BATTERY

355959



LOWER CONSOLE GROUP, ON-BOARD CHARGER, TPPL BATTERY

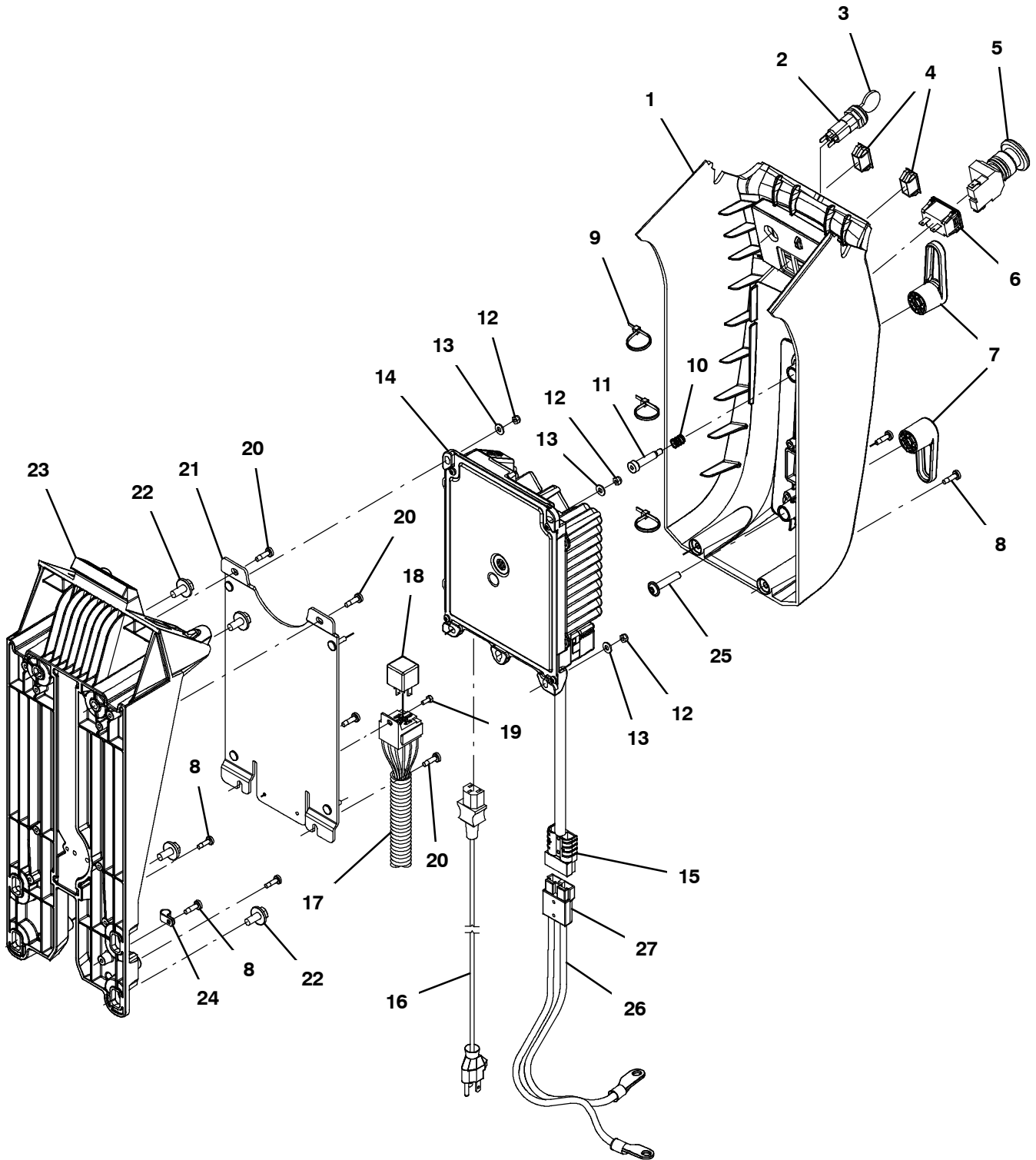
Ref.	Part No.	Serial Number	Description	Qty.
	1	1203802	(10000000- 20000000) Cover, Column, Cntrl	1
▽	2	1011402	(10000000- 20000000) Switch, Key	1
▲	3	1017696	(10000000- 20000000) Key Set, Replmt [F/ Keyswitch 1011402]	1
	4	582150	(10000000- 20000000) Plug, Hole, Rt, 1.23 X 1.12, Nyl	2
	5	1011735	(10000000- 20000000) Switch, Safety, Shutoff	1
	6	1064038	(10000000- 20000000) Gauge, Hourmeter, 05- 277 Volt, Ac / Dc	1
	7	1205496	(10000000- 20000000) Hook, Cord	2
	8	1043573	(10000000- 20000000) Screw, #10- 14 X 0.675, Spl[Shcs,Selftap]	5
	9	130773	(10000000- 20000000) Tie, Cable, Nyl, 11.0l, .14w, 3.0 Max. D	3
	10	611311	(10982559- 20000000) Spring, Cmpr, 0.40od .05wir 00.5l, Pl,Mw	1
	11	1024965	(10982559- 20000000) Bolt, Shld, 08mmd X 030mm, M06 X 1.0	1
	12	06549	(10000000- 20000000) Nut, Hex, M5 X 0.80 X 16, 8.8	4
	13	01683	(10000000- 20000000) Washer, Flat, 10, Ss	4
▽	14	1254123	(10000000- 20000000) Charger, 24vdc, 650w,100- 240vac [On Brd]	1
▲	15	605387	(10000000- 20000000) Connector, Anderson, 050a, Red [W/O Con]	1
	16	1025642	(10000000- 20000000) Cord, Power, 16/3, 15ft Blk [Us]	1
	16	1026330	(10000000- 20000000) Cord, Power, 1.0mm2 [2.5meter, China]	1
	16	1026325	(10000000- 20000000) Cord, Power, 1.0mm2/3 Blk[2.5meter, Aus]	1
	16	1048304	(10000000- 20000000) Cord, Power [4.5meter, India, S.Africa]	1
	17	1076909	(10000000- 20000000) Harness, Ele, Adaptor, Relay	1
	18	49309	(10000000- 20000000) Relay, 24vdc, 015a, Spdt No	1
	19	16944	(10000000- 20000000) Screw, Hex, M4 X 0.70 X 10, Fmg	1
	20	1043573	(10000000- 20000000) Screw, #10- 14 X 0.675, Spl[Shcs,Selftap]	4
	21	1254600	(10000000- 20000000) Plate Wldt, Charger, Adapter	1
	22	1020341	(10000000- 20000000) Screw, Hex, M8 X 1.25 X 20, Ss, Sems	4
	23	1231373	(10000000- 20000000) Frame, Column, Cntrl [Im], T600	1
	24	378969	(10000000- 20000000) Clamp, Cable, Stl, 0.56d X 0.38w, 1hole	1
	25	1248098	(10982559- 20000000) Screw, Btn, Flng, M6 X 1.0 X 30, 10.9	1
▽	26	1073634	(10000000- 20000000) Harness, Chrgr, 12ga [M8 Ring/M8 Ring]	1
▲	27	605387	(10000000- 20000000) Connector, Anderson, 050a, Red [W/O Con]	1

▽ ASSEMBLY

▲ INCLUDED IN ASSEMBLY

LOWER CONSOLE GROUP, ON-BOARD CHARGER 650W, LITHIUM-ION BATTERY

355959



LOWER CONSOLE GROUP, ON-BOARD CHARGER 650W, LITHIUM-ION BATTERY

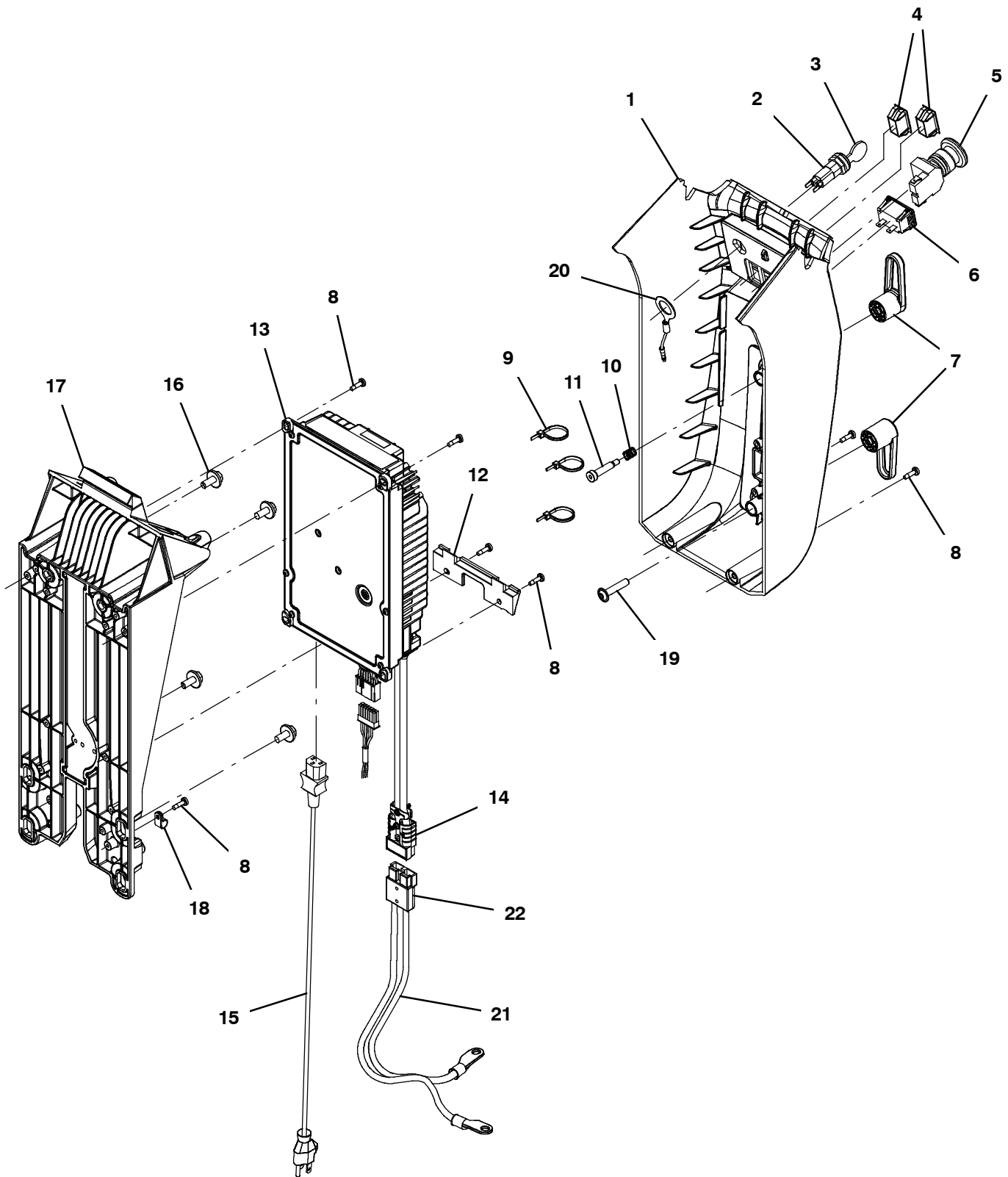
Ref.	Part No.	Serial Number	Description	Qty.
	1	1203802	(10000000- 20000000) Cover, Column, Cntrl	1
▽	2	1011402	(10000000- 20000000) Switch, Key	1
▲	3	1017696	(10000000- 20000000) Key Set, Replmt [F/ Keyswitch 1011402]	1
	4	582150	(10000000- 20000000) Plug, Hole, Rt, 1.23 X 1.12, Nyl	2
	5	1011735	(10000000- 20000000) Switch, Safety, Shutoff	1
	6	1064038	(10000000- 20000000) Gauge, Hourmeter, 05- 277 Volt, Ac / Dc	1
	7	1205496	(10000000- 20000000) Hook, Cord	2
	8	1043573	(10000000- 20000000) Screw, #10- 14 X 0.675, Spl[Shcs,Selftap]	5
	9	130773	(10000000- 20000000) Tie, Cable, Nyl, 11.0l, .14w, 3.0 Max. D	3
	10	611311	(10982559- 20000000) Spring, Cmpr, 0.40od .05wir 00.5l, Pl,Mw	1
	11	1024965	(10982559- 20000000) Bolt, Shld, 08mmd X 030mm, M06 X 1.0	1
	12	06549	(10000000- 20000000) Nut, Hex, M5 X 0.80 X 16, 8.8	4
	13	01683	(10000000- 20000000) Washer, Flat, 10, Ss	4
▽	14	1261728	(10000000- 20000000) Charger, 24vdc, 650w,100- 240vac [On Brd]	1
▲	15	605387	(10000000- 20000000) Connector, Anderson, 050a, Red [W/O Con]	1
	16	1025642	(10000000- 20000000) Cord, Power, 16/3, 15ft Blk [Us]	1
	16	1026330	(10000000- 20000000) Cord, Power, 1.0mm2 [2.5meter, China]	1
	16	1026325	(10000000- 20000000) Cord, Power, 1.0mm2/3 Blk[2.5meter, Aus]	1
	16	1048304	(10000000- 20000000) Cord, Power [4.5meter, India, S.Africa]	1
	17	1076909	(10000000- 20000000) Harness, Ele, Adaptor, Relay	1
	18	49309	(10000000- 20000000) Relay, 24vdc, 015a, Spdt No	1
	19	16944	(10000000- 20000000) Screw, Hex, M4 X 0.70 X 10, Fmg	1
	20	1043573	(10000000- 20000000) Screw, #10- 14 X 0.675, Spl[Shcs,Selftap]	4
	21	1254600	(10000000- 20000000) Plate Wldt, Charger, Adapter	1
	22	1020341	(10000000- 20000000) Screw, Hex, M8 X 1.25 X 20, Ss, Sems	4
	23	1231373	(10000000- 20000000) Frame, Column, Cntrl [Im], T600	1
	24	378969	(10000000- 20000000) Clamp, Cable, Stl, 0.56d X 0.38w, 1hole	1
	25	1248098	(10982559- 20000000) Screw, Btn, Flng, M6 X 1.0 X 30, 10.9	1
▽	26	1267308	(10000000- 20000000) Harness, Chrgr, 10ga [M8 Ring/M8ring]	1
▲	27	605387	(10000000- 20000000) Connector, Anderson, 050a, Red [W/O Con]	1

▽ ASSEMBLY

▲ INCLUDED IN ASSEMBLY

LOWER CONSOLE GROUP, ON-BOARD CHARGER 1000W, LITHIUM-ION BATTERY

355960



LOWER CONSOLE GROUP, ON- BOARD CHARGER 1000W, LITHIUM-ION BATTERY

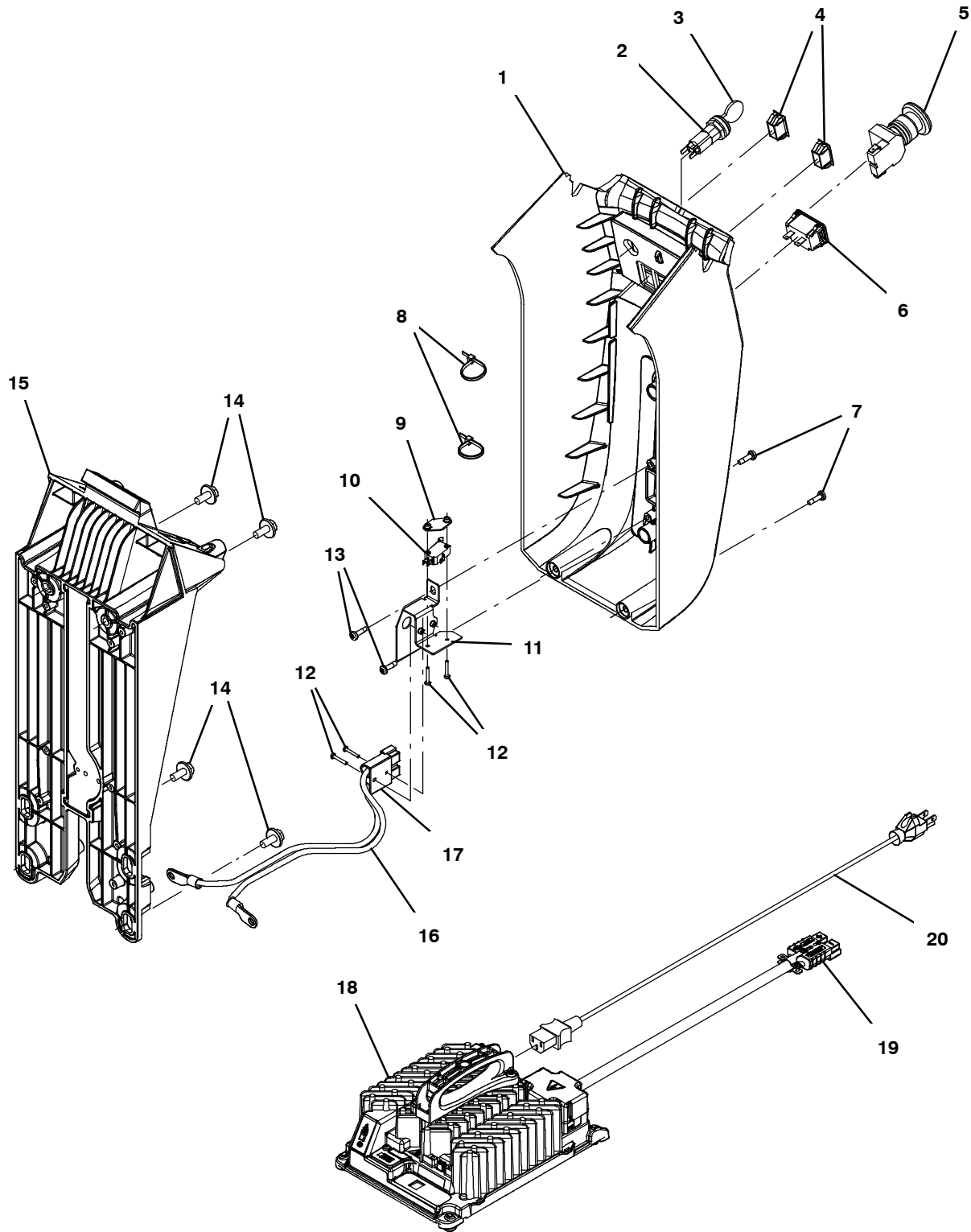
Ref.	Part No.	Serial Number	Description	Qty.
	1	1203802	(10000000- 20000000) Cover, Column, Cntrl	1
▽	2	1011402	(10000000- 20000000) Switch, Key	1
▲	3	1017696	(10000000- 20000000) Key Set, Replmt [F/ Keyswitch 1011402]	1
	4	582150	(10000000- 20000000) Plug, Hole, Rt, 1.23 X 1.12, Nyl	2
	5	1011735	(10000000- 20000000) Switch, Safety, Shutoff	1
	6	1064038	(10000000- 20000000) Gauge, Hourmeter, 05- 277 Volt, Ac / Dc	1
	7	1205496	(10000000- 20000000) Hook, Cord	2
	8	1043573	(10000000- 20000000) Screw, #10- 14 X 0.675, Spl[Shcs,Selftap]	9
	9	130773	(10000000- 20000000) Tie, Cable, Nyl, 11.0l, .14w, 3.0 Max. D	3
	10	611311	(10982502- 20000000) Spring, Cmpr, 0.40od .05wir 00.5l, Pl,Mw	1
	11	1024965	(10982502- 20000000) Bolt, Shld, 08mmd X 030mm, M06 X 1.0	1
	12	1231133	(10000000- 20000000) Bracket, Mtg, Chrgr, Plastic	1
▽	13	1259768	(10000000- 20000000) Charger, 24vdc 1000w 100- 240vac [On Brd]	1
▲	14	605387	(10000000- 20000000) Connector, Anderson, 050a, Red [W/O Con]	1
	15	1025642	(10000000- 20000000) Cord, Power, 16/3, 15ft Blk [Us]	1
	15	1026330	(10000000- 20000000) Cord, Power, 1.0mm2 [2.5meter, China]	1
	15	1026325	(10000000- 20000000) Cord, Power, 1.0mm2/3 Blk[2.5meter, Aus]	1
	15	1048304	(10000000- 20000000) Cord, Power [4.5meter, India, S.Africa]	1
	16	1020341	(10000000- 20000000) Screw, Hex, M8 X 1.25 X 20, Ss, Sems	4
	17	1231373	(10000000- 20000000) Frame, Column, Cntrl [Im], T600	1
	18	26395- 2	(10000000- 20000000) Clamp, Cable, Stl, 0.38d X 0.38w, 1hole	1
	19	1248098	(10982502- 20000000) Screw, Btn, Flng, M6 X 1.0 X 30, 10.9	1
	20	1073037	(10000000- 20000000) Harness, Ele [Key Sw.,Static Gnd]	1
▽	21	1267308	(10000000- 20000000) Harness, Chrgr, 10ga [M8 Ring/M8ring]	1
▲	22	605387	(10000000- 20000000) Connector, Anderson, 050a, Red [W/O Con]	1

▽ ASSEMBLY

▲ INCLUDED IN ASSEMBLY

LOWER CONSOLE GROUP, OFF-BOARD CHARGER

355445



LOWER CONSOLE GROUP, OFF- BOARD CHARGER

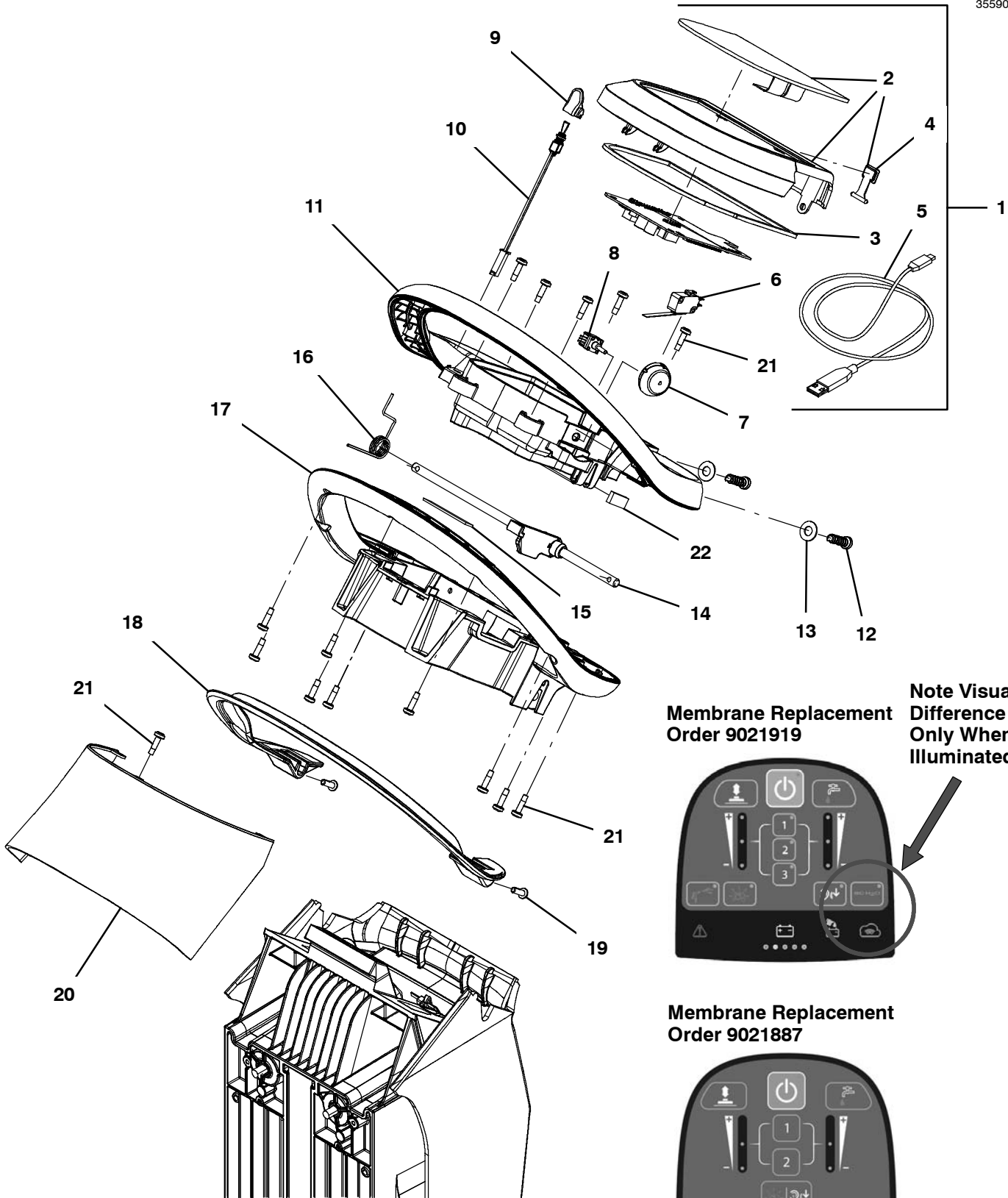
Ref.	Part No.	Serial Number	Description	Qty.
	1	1203802	(10000000- 20000000) Cover, Column, Cntrl	1
▽	2	1011402	(10000000- 20000000) Switch, Key	1
▲	3	1017696	(10000000- 20000000) Key Set, Replmt [F/ Keyswitch 1011402]	1
	4	582150	(10000000- 20000000) Plug, Hole, Rt, 1.23 X 1.12, Nyl	2
	5	1011735	(10000000- 20000000) Switch, Safety, Shutoff	1
	6	1064038	(10000000- 20000000) Gauge, Hourmeter, 05- 277 Volt, Ac / Dc	1
	7	1043573	(10000000- 20000000) Screw, #10- 14 X 0.675, Spl[Shcs,Selftap]	2
	8	130773	(10000000- 20000000) Tie, Cable, Nyl, 11.0l, .14w, 3.0 Max. D	2
	9	1013705	(10000000- 20000000) Plate, Thread, Switch, M3 Nut, 96hr PI	1
	10	1215716	(10000000- 20000000) Switch, 0.1a, Spdt[Micro, Gold Contacts]	1
	11	1208599	(10000000- 20000000) Bracket Assy, Plug, Charger	1
	12	06922	(10000000- 20000000) Screw, Pan, Phl, M3 X 0.50 X 20, 4.8	4
	13	1043573	(10000000- 20000000) Screw, #10- 14 X 0.675, Spl[Shcs,Selftap]	2
	14	1020341	(10000000- 20000000) Screw, Hex, M8 X 1.25 X 20, Ss, Sems	4
	15	1231373	(10000000- 20000000) Frame, Column, Cntrl [Im], T600	1
▽	16	1073634	(10000000- 20000000) Harness, Chrgr, 12ga [M8 Ring/M8 Ring] (Wet & AGM Batteries)	1
▲	17	605387	(10000000- 20000000) Connector, Anderson, 050a, Red [W/O Con]	1
▽	16	1267308	(10000000- 20000000) Harness, Chrgr, 10ga [M8 Ring/M8 Ring] (Lithium- Ion Batteries)	1
▲	17	605387	(10000000- 20000000) Connector, Anderson, 050a, Red [W/O Con]	1
▽	18	9015391	(10000000- 20000000) Charger Assy, Off- Board [T500/T500e] (Wet & AGM Batteries)	1
▲	19	605387	(10000000- 20000000) Connector, Anderson, 050a, Red [W/O Con]	1
▽	18	9021961	(10000000- 20000000) Charger, Replmt, Li- Ion, 24v, 650w (Lithium- Ion Batteries)	1
▲	19	605387	(10000000- 20000000) Connector, Anderson, 050a, Red [W/O Con]	1
	20	1025642	(10000000- 20000000) Cord, Power, 16/3, 15ft Blk [Us]	1
	20	1026330	(10000000- 20000000) Cord, Power, 1.0mm2 [2.5meter]	1
	20	1026325	(10000000- 20000000) Cord, Power, 1.0mm2/3 Blk[2.5meter, Aus]	1
	20	1048304	(10000000- 20000000) Cord, Power [4.5meter, India, S.Africa]	1

▽ ASSEMBLY

▲ INCLUDED IN ASSEMBLY

CONSOLE HANDLE, PRO-MEMBRANE PANEL WITHOUT TELEMETRY

355906



**Membrane Replacement
Order 9021919**

**Note Visual
Difference
Only When
Illuminated**



**Membrane Replacement
Order 9021887**



CONSOLE HANDLE, PRO- MEMBRANE PANEL WITHOUT TELEMETRY

Ref.	Part No.	Serial Number	Description	Qty.
▽	1	9021887*	(11062242- 20000000) Bezel Kit, Membrane, Ci [T500/T600]	1
▲▽	2	9021919	(11062242- 20000000) Screen Kit, Membrane, Ci [T500/T600]	1
▲▲	3	1245824	(MAR2020- 20000000) Gasket, Console	1
▲▲	4	1205618	(10000000- 20000000) Cap, Usb	1
▲	5	1071235	(10000000- 20000000) Cable [Usb, 2m, A- Male To Mini- B- Male]	1
▽	1	9015778*	(10000000- 11062241) Bezel Kit, Membrane [T500] (Replaced By 9021887)	1
▲▽	2	9015779	(10000000- 11062241) Screen Kit [T500] (Replaced By 9021887)	1
▲▲	3	1245824	(MAR2020- 20000000) Gasket, Console	1
▲▲	4	1205618	(10000000- 20000000) Cap, Usb	1
▲	5	1071235	(10000000- 20000000) Cable [Usb, 2m, A- Male To Mini- B- Male]	1
	6	1205323	(10000000- 20000000) Switch, 0.1a, Spdt [Micro, Straight]	1
	7	1234365	(10000000- 20000000) Dial, Range, Speed	1
	8	1256757	(11008828- 20000000) Potentiometer [100k, 1 Turn, Multi- Mach]	1
	8	1246392	(10947727- 11008827) Potentiometer [100k, 1 Turn, B5/B7] (Rpld By 1256757)	1
	8	1204930	(10000000- 10947726) Potentiometer [100k, 1 Turn, B5/B7] (Rpld By 1256757)	1
	9	1209730	(10000000- 20000000) Cap, Toggle, Direction	1
	10	1209673	(10000000- 20000000) Switch Assy, Toggle, Direction	1
	11	1203787	(10000000- 20000000) Housing, Handle, Cntrl, Top	2
	12	1215863	(10000000- 20000000) Screw, Pan, Torx, M8 X 3.5 X 25[Remform]	2
	13	140027	(10000000- 20000000) Washer, Flat, 0.35b 0.75d .04, Ss	3
	14	1205143	(10000000- 20000000) Shaft Assy, Bail, Handle	1
	15	1020280	(10000000- 20000000) Seal, Afmkt, Rbr, Clsd, Adh, 01ft	1
	16	1205781	(10000000- 20000000) Spring, Return, Bail	1
	17	1222608	(10000000- 20000000) Housing, Handle, Cntrl, Bottom, Slotted	1
	18	1205778	(10000000- 20000000) Handle, Bail [Machined]	1
	19	1205799	(10000000- 20000000) Screw, Btn, M5 X 0.8 X 16, 8.8, NI, Torx	2
	20	1207004	(10000000- 20000000) Cover, Handle, Cntrl	1
	21	1043573	(10000000- 20000000) Screw, #10- 14 X 0.675, Spl[Shcs,Selftap]	15
	22	1063909	(MAR2020- 20000000) Seal, Afmkt, Rbr, Clsd, Adh, 01ft	1

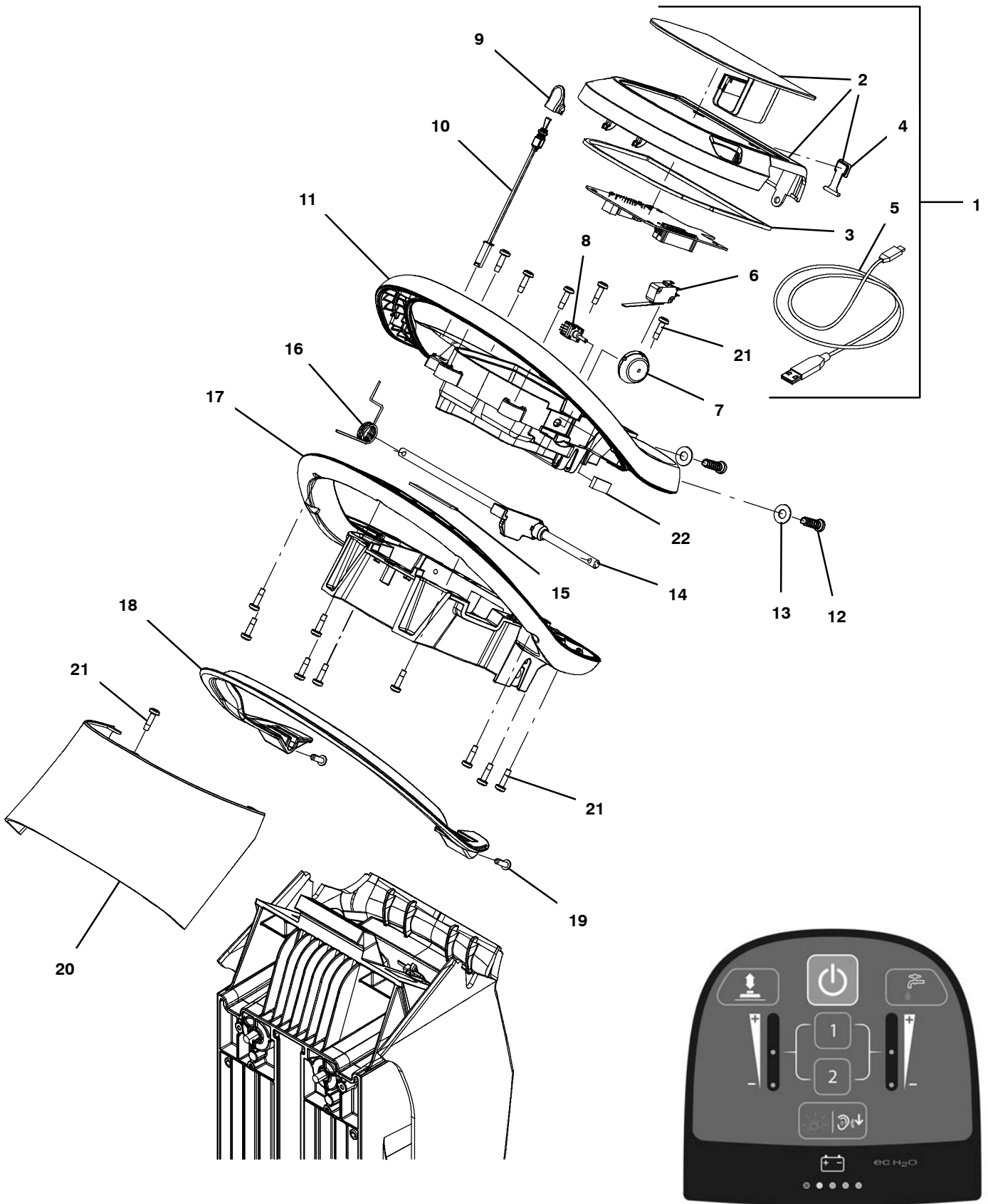
* Requires Tennant *True* service or an authorized Tennant service provider.

▽ ASSEMBLY

▲ INCLUDED IN ASSEMBLY

CONSOLE HANDLE, PRO-MEMBRANE PANEL WITH TELEMETRY

355446



CONSOLE HANDLE, PRO- MEMBRANE PANEL WITH TELEMETRY

Ref.	Part No.	Serial Number	Description	Qty.
▽	1	9015778*	(10000000- 20000000) Bezel Kit, Membrane [T500]	1
▲▽	2	9015779	(10000000- 20000000) Screen Kit [T500]	1
▲▲	3	1245824	(MAR2020- 20000000) Gasket, Console	1
▲▲	4	1205618	(10000000- 20000000) Cap, Usb	1
▲	5	1071235	(10000000- 20000000) Cable [Usb, 2m, A- Male To Mini- B- Male]	1
	6	1205323	(10000000- 20000000) Switch, 0.1a, Spdt [Micro, Straight]	1
	7	1234365	(10000000- 20000000) Dial, Range, Speed	1
	8	1256757	(11008828- 20000000) Potentiometer [100k, 1 Turn, Multi- Mach]	1
	8	1246392	(10947727- 11008827) Potentiometer [100k, 1 Turn, B5/B7] (Rpld By 1256757)	1
	8	1204930	(10000000- 10947726) Potentiometer [100k, 1 Turn, B5/B7] (Rpld By 1256757)	1
	9	1209730	(10000000- 20000000) Cap, Toggle, Direction	1
	10	1209673	(10000000- 20000000) Switch Assy, Toggle, Direction	1
	11	1203787	(10000000- 20000000) Housing, Handle, Cntrl, Top	2
	12	1215863	(10000000- 20000000) Screw, Pan, Torx, M8 X 3.5 X 25[Remform]	2
	13	140027	(10000000- 20000000) Washer, Flat, 0.35b 0.75d .04, Ss	3
	14	1205143	(10000000- 20000000) Shaft Assy, Bail, Handle	1
	15	1020280	(10000000- 20000000) Seal, Afmkt, Rbr, Clsd, Adh, 01ft	1
	16	1205781	(10000000- 20000000) Spring, Return, Bail	1
	17	1222608	(10000000- 20000000) Housing, Handle, Cntrl, Bottom, Slotted	1
	18	1205778	(10000000- 20000000) Handle, Bail [Machined]	1
	19	1205799	(10000000- 20000000) Screw, Btn, M5 X 0.8 X 16, 8.8, NI, Torx	2
	20	1207004	(10000000- 20000000) Cover, Handle, Cntrl	1
	21	1043573	(10000000- 20000000) Screw, #10- 14 X 0.675, Spl[Shcs,Selftap]	15
	22	1063909	(MAR2020- 20000000) Seal, Afmkt, Rbr, Clsd, Adh, 01ft	1

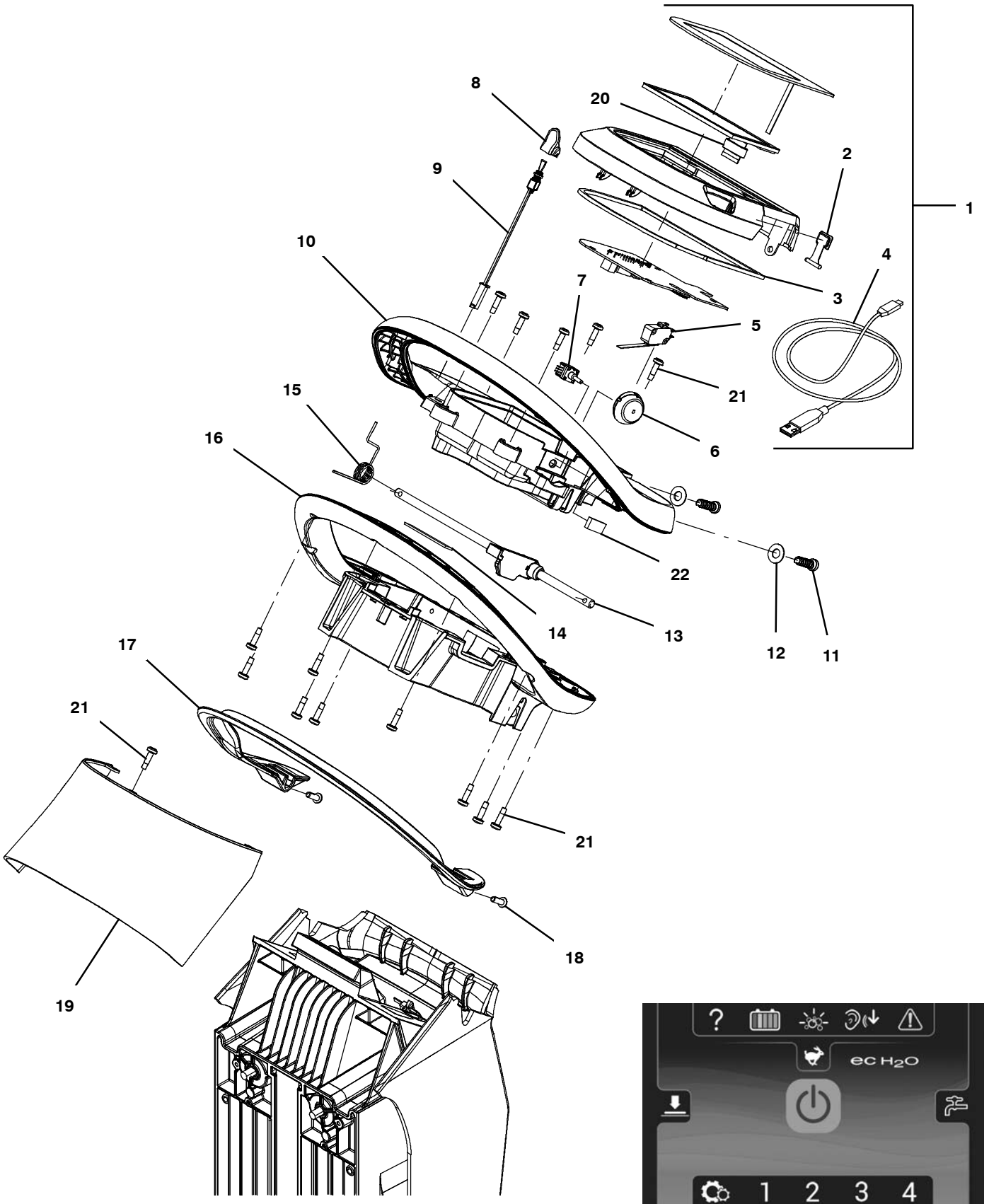
* Requires Tennant *True* service or an authorized Tennant service provider.

▽ ASSEMBLY

▲ INCLUDED IN ASSEMBLY

CONSOLE HANDLE, PRO-PANEL LCD

355447



CONSOLE HANDLE, PRO- PANEL LCD

Ref.	Part No.	Serial Number	Description	Qty.
▽	1	9014135*	(10000000- 20000000) Bezel Kit, Propel, Lcd Pro- Panl,Ci (Canada Also Requires Qty 1 Ferrite #1229342)	1
▲	2	1205618	(10000000- 20000000) Cap, Usb	1
▲	3	1245824	(MAR2020- 20000000) Gasket, Console	1
▲	4	1071235	(10000000- 20000000) Cable [Usb, 2m, A- Male To Mini- B- Male]	1
	5	1205323	(10000000- 20000000) Switch, 0.1a, Spdt [Micro, Straight]	1
	6	1234365	(10000000- 20000000) Dial, Range, Speed	1
	7	1256757	(11008828- 20000000) Potentiometer [100k, 1 Turn, Multi- Mach]	1
	7	1246392	(10947727- 11008827) Potentiometer [100k, 1 Turn, B5/B7] (Rpld by 1256757)	1
	7	1204930	(10000000- 10947726) Potentiometer [100k, 1 Turn, B5/B7] (Rpld by 1256757)	1
	8	1209730	(10000000- 20000000) Cap, Toggle, Direction	1
	9	1209673	(10000000- 20000000) Switch Assy, Toggle, Direction	1
	10	1203787	(10000000- 20000000) Housing, Handle, Cntrl, Top	2
	11	1215863	(10000000- 20000000) Screw, Pan, Torx, M8 X 3.5 X 25[Remform]	2
	12	140027	(10000000- 20000000) Washer, Flat, 0.35b 0.75d .04, Ss	2
	13	1205143	(10000000- 20000000) Shaft Assy, Bail, Handle	1
	14	1020280	(10000000- 20000000) Seal, Afmkt, Rbr, Clsd, Adh, 01ft	1
	15	1205781	(10000000- 20000000) Spring, Return, Bail	1
	16	1222608	(10000000- 20000000) Housing, Handle, Cntrl, Bottom, Slotted	1
	17	1205778	(10000000- 20000000) Handle, Bail [Machined]	1
	18	1205799	(10000000- 20000000) Screw, Btn, M5 X 0.8 X 16, 8.8, NI, Torx	2
	19	1207004	(10000000- 20000000) Cover, Handle, Cntrl	1
	20	1229342	(10000000- 20000000) Inductor, Ferrite [110@100hz] (Canada Only)	1
	21	1043573	(10000000- 20000000) Screw, #10- 14 X 0.675, Spl[Shcs,Selftap]	15
	22	1063909	(MAR2020- 20000000) Seal, Afmkt, Rbr, Clsd, Adh, 01ft	1

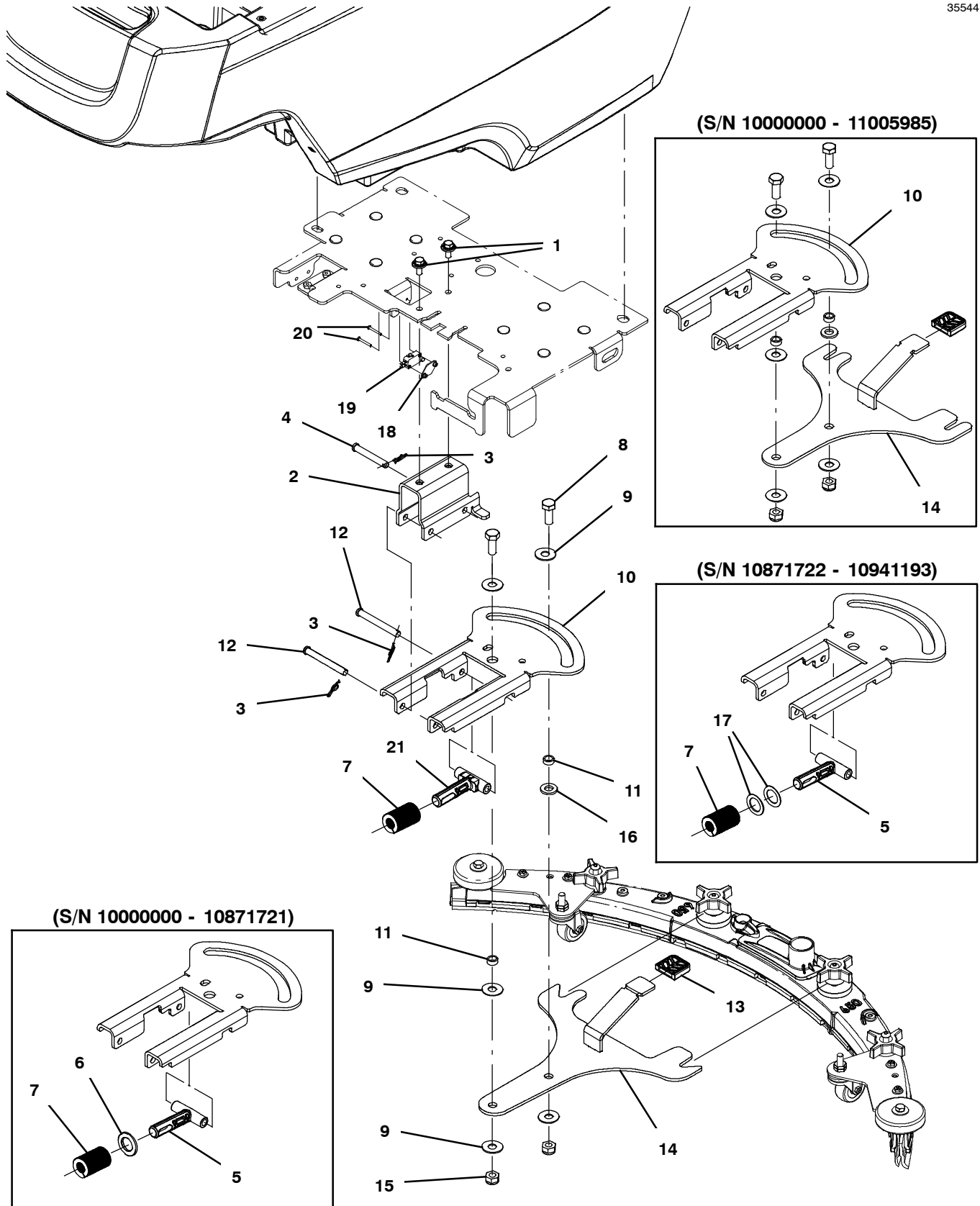
* Requires Tennant *True* service or an authorized Tennant service provider.

▽ ASSEMBLY

▲ INCLUDED IN ASSEMBLY

SQUEEGEE LIFT GROUP

355441

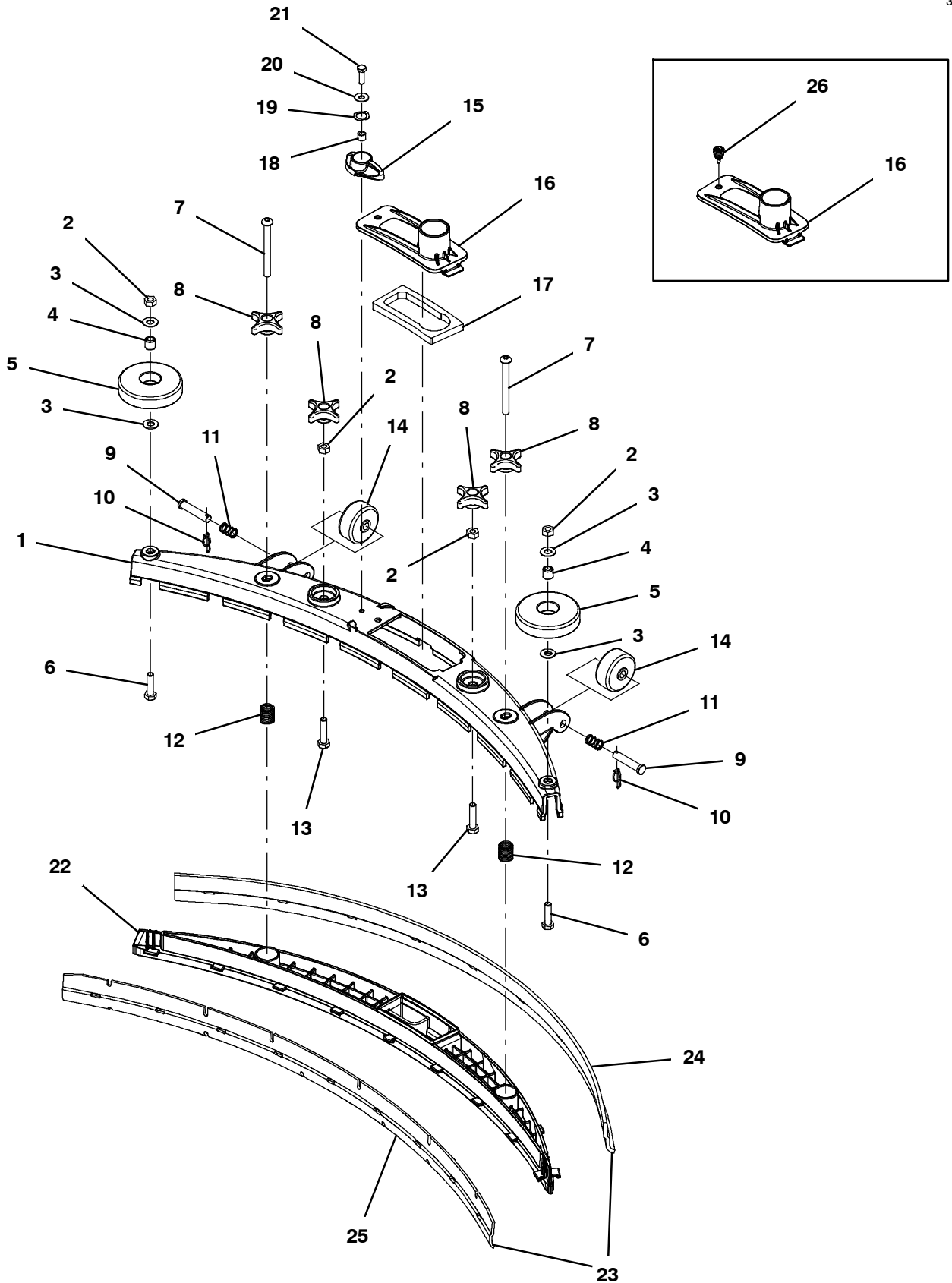


SQUEEGEE LIFT GROUP

Ref.	Part No.	Serial Number	Description	Qty.
1	1020341	(10000000- 20000000)	Screw, Hex, M8 X 1.25 X 20, Ss, Sems	2
2	1221959	(10000000- 20000000)	Bracket, Wldt, Lift, Sqge [T500]	1
3	1216647	(10000000- 20000000)	Pin, Cotter, Hair, 0.38d .054 Wir	3
4	391179	(10000000- 20000000)	Pin, Clevis, 0.37d X 2.62l	1
5	1230368	(10000000- 10941193)	Guide, Spring (Replaced by 9016898)	1
6	1225960	(10000000- 10871721)	Washer, Thrust, 0.89b 1.50d 0.13w, Bnz	1
7	1253245	(10997797- 20000000)	Spring, Cmpr, 1.4od, .874id, .263d, 2.0l	1
7	1228773	(10000000- 10997796)	Spring, Cmpr, 1.25od, .625id, 2.0l (Replaced By 1253245)	1
8	12309	(10000000- 20000000)	Screw, Hex, M12 X 1.75 X 30, Ss	2
9	140045	(10000000- 20000000)	Washer, Flat, 0.51b 1.25d .06, Ss	5
10	1255528	(11005986- 20000000)	Bracket, Pivot, Sqge [T500]	1
10	1219466	(10000000- 11005985)	Bracket, Pivot, Sqge [T500]	1
11	1013662	(10000000- 20000000)	Bushing, Sleeve, 12mmb 16mmd 7mml, Pm Yel	2
12	57598	(10000000- 20000000)	Pin, Clevis, 0.37d X 3.25l	2
13	1212533	(10000000- 20000000)	Cover, Pedal, Lift	1
14	1246993	(11005986- 20000000)	Bracket Wldt, Mtg, Sqge [T500]	1
14	1220505	(10000000- 11005985)	Bracket Wldt, Mtg, Sqge [T500]	1
15	09741	(10000000- 20000000)	Nut, Hex, Lock, M12 X 1.75, NI, Ss	2
16	140127	(10000000- 20000000)	Washer, Thrust, 0.51b 1.00d 0.12w, Brz	1
17	82226	(10871722- 10941193)	Washer, Flat, 0.91b 1.38d .06, Stl, PI	2
18	1013705	(10000000- 20000000)	Plate, Thread, Switch, M3 Nut, 96hr PI	1
19	1215716	(10000000- 20000000)	Switch, 0.1a, Spdt[Micro, Gold Contacts]	1
20	33933	(10000000- 20000000)	Screw, Pan, Phl, M3 X 0.50 X 25, Ss	2
21	1235860	(10941194- 20000000)	Guide, Spring	1

SQUEEGEE ASSEMBLY, 500MM / 20IN

355437



SQUEEGEE ASSEMBLY, 500MM / 20IN

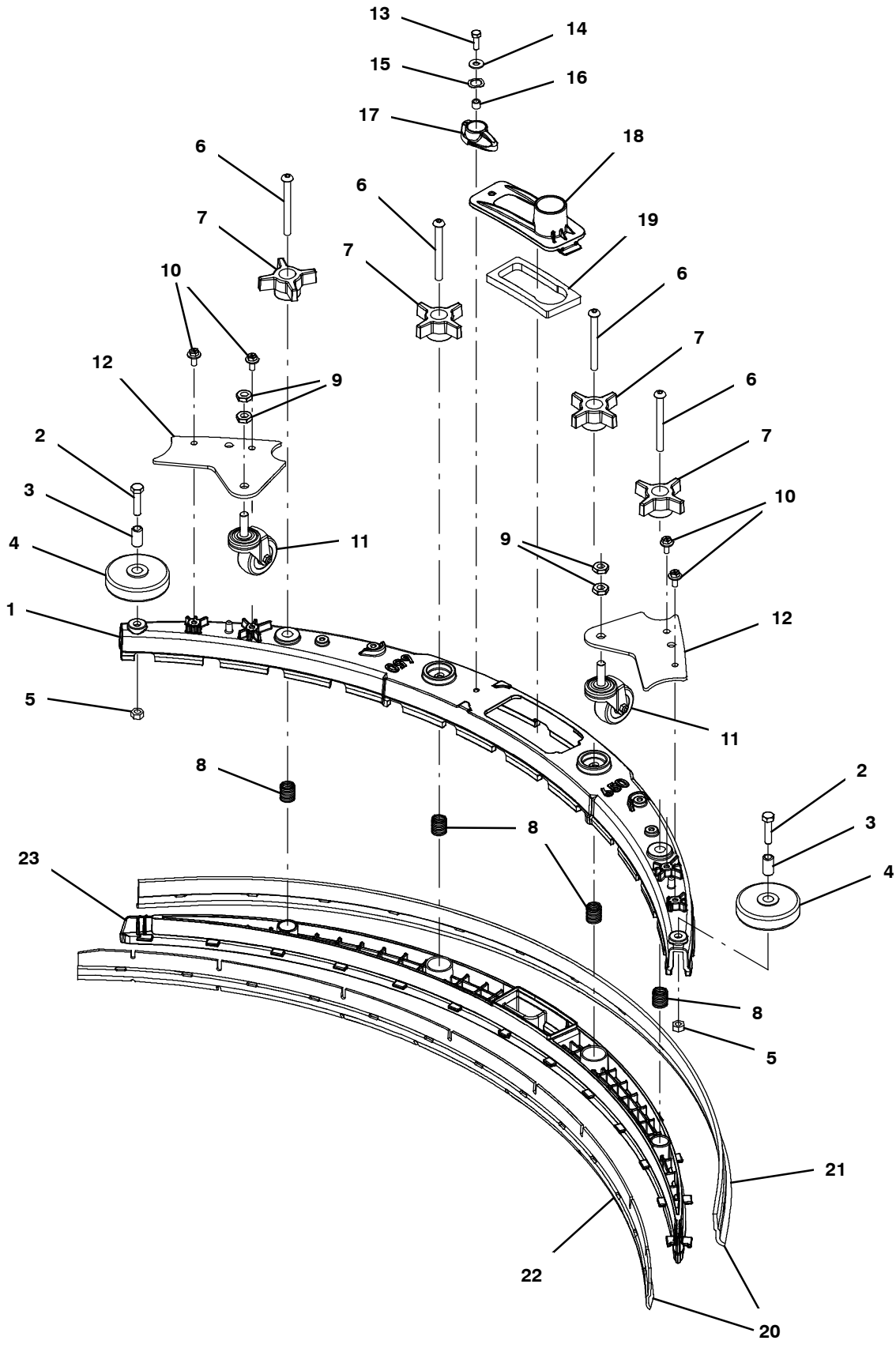
Ref.	Part No.	Serial Number	Description	Qty.
▽	9014172	(10000000-20000000)	Squeegee Kit, Linatex, Ci [T300/E/Ss300]	1
▲	1 1230946	(10000000-20000000)	Frame, Sqge, 50cm, Mach [T300]	1
▲	2 07786	(10000000-20000000)	Nut, Hex, Std, M8 X 1.25, Ss	2
▲	3 140027	(10000000-20000000)	Washer, Flat, 0.35b 0.75d .04, Ss	4
▲	4 222460	(10000000-20000000)	Sleeve, P/M, 0.32b 0.50d 0.5l [430ss]	2
▲	5 1010560	(10000000-20000000)	Wheel, Bmpr, 80d X 25w, Non-Marking	2
▲	6 1016399	(10000000-20000000)	Screw, Hex, M8 X 1.25 X 30, NI, Ss	2
▲	7 1212755	(10000000-20000000)	Screw, Btn, M8 X 1.25 X 80, Ss	2
▲	8 1213677	(10000000-20000000)	Knob, Star, 2.00od 4ear M8x1.25 [Yel]	4
▲	9 17461	(10000000-20000000)	Pin, Clevis, 0.37d X 1.75l	2
▲	10 1216647	(10000000-20000000)	Pin, Cotter, Hair, 0.38d .054 Wir	2
▲	11 1017091	(10000000-20000000)	Spring, Cmpr, 0.50od .04wir 00.8l	2
▲	12 22290	(10000000-20000000)	Spring, Cmpr, 0.72od .06wir 02.3l	2
▲	13 09026	(10000000-20000000)	Screw, Hex, M8 X 1.25 X 40, Ss	2
▲	14 630477	(10000000-20000000)	Wheel, Pyu, 02.0d 0.38w, Gray	2
▲	15 1222109	(xxxxxxx-20000000)	Knob, Sqge, 58l, M6 X 1.00, Plstc	1
▲	16 1209631	(10000000-20000000)	Cover, Trap, Water, Sqge	1
▲	17 1210756	(10000000-20000000)	Gasket, Trap, Water, Sqge	1
▲	18 140154	(xxxxxxx-20000000)	Sleeve, P/M, 0.25b 0.38d 0.3l, PI	1
▲	19 140060	(xxxxxxx-20000000)	Washer, .505 X .750 X 0.45 Wave	1
▲	20 01684	(xxxxxxx-20000000)	Washer, Flat, 0.27b 0.69d .05, Ss	1
▲	21 12277	(xxxxxxx-20000000)	Screw, Hex, M6 X 1.00 X 20, NI, Ss	1
▲	22 1203638	(10000000-20000000)	Retainer, Sqge [T300]	1
▲▽	23 9015731	(10000000-20000000)	Blade Kit, 500mm, Linatex (Standard)	1
▲▲	24 1203953	(10000000-20000000)	Blade, Sqge, Rear, 836l, Linatex[500mm] (Standard)	1
▲▲	25 1203954	(10000000-20000000)	Blade, Sqge, Front, 788l, Linatex[500mm] (Standard)	1
▽	23 9015732	(10000000-20000000)	Blade Kit, 500mm, Urethane (Option)	1
▲	24 1215609	(10000000-20000000)	Blade, Sqge, Rear, 836l, Urethane[500mm] (Option)	1
▲	25 1215611	(10000000-20000000)	Blade, Sqge, Front, 788l, Urethane[500mm] (Option)	1
▽	23 9015730	(10000000-20000000)	Blade Kit, 500mm, Gum (Option)	1
▲	24 1215610	(10000000-20000000)	Blade, Sqge, Rear, 836l, Gum[500mm] (Option)	1
▲	25 1215612	(10000000-20000000)	Blade, Sqge, Front, 788l, Gum[500mm] (Option)	1
	26 1212683	(10000000-xxxxxxx)	Screw, Captive, M5, Knurled [Snap In]	1

▽ ASSEMBLY

▲ INCLUDED IN ASSEMBLY

SQUEEGEE ASSEMBLY, 650MM / 26IN
(New Style 9021741)

355838



**SQUEEGEE ASSEMBLY, 650MM / 26IN
(New Style 9021741)**

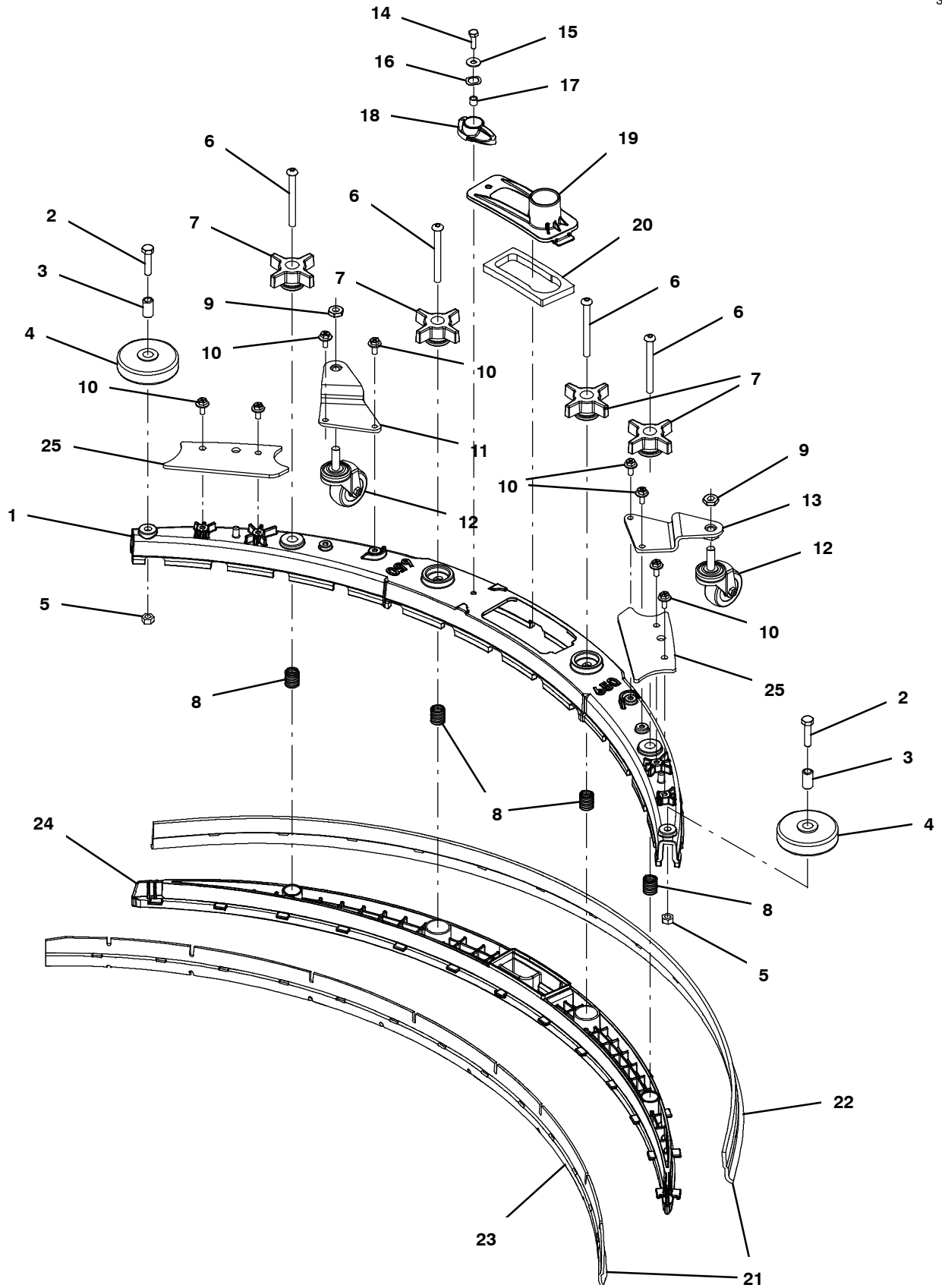
Ref.	Part No.	Serial Number	Description	Qty.
▽	9021741	(11005986- 20000000)	Squeegee Kit, 650mm	1
▲	1 1243537	(11005986- 20000000)	Frame, Sqge, 65cm, Mach [T500/T600]	1
▲	2 59658	(10000000- 20000000)	Screw, Hex, M8 X 1.25 X 35, NI, Ss	2
▲	3 222496	(10000000- 20000000)	Sleeve, P/M, 0.32b 0.50d 0.9l [430ss]	2
▲	4 222066	(10000000- 20000000)	Wheel, 03.0d 0.88w 0.50b	2
▲	5 07786	(10000000- 20000000)	Nut, Hex, Std, M8 X 1.25, Ss	2
▲	6 1255358	(10000000- 20000000)	Screw, Btn, M8 X 1.25 X 85, Ss	4
▲	7 1074204	(10000000- 20000000)	Knob,Star,2.75d 4ear 1.1l M8x1.25,Thru,Y	4
▲	8 22290	(10000000- 20000000)	Spring, Cmpr, 0.72od .06wir 02.3l	4
▲	9 32716	(11005986- 20000000)	Nut, Hex, Jam, M10 X 1.5, Ss	4
▲	10 1034731	(10964903- 20000000)	Screw, Hex, M6 X 1.00 X 16, Sems, Ss	4
▲	11 1006343	(10000000- 20000000)	Caster, Swivel, 50mmd, M10 X 30, Clr PI	2
▲	12 1243364	(11005986- 20000000)	Plate, Caster, Sqge	2
▲	13 12277	(10000000- 20000000)	Screw, Hex, M6 X 1.00 X 20, NI, Ss	1
▲	14 01684	(10000000- 20000000)	Washer, Flat, 0.27b 0.69d .05, Ss	1
▲	15 140060	(10000000- 20000000)	Washer, Wave- Spring, .505 .750 .045	1
▲	16 140154	(10000000- 20000000)	Sleeve, P/M, 0.25b 0.38d 0.3l, PI	1
▲	17 1222109	(10000000- 20000000)	Knob, Sqge, 58l, M6 X 1.00, Plstc	1
▲	18 1209631	(10000000- 20000000)	Cover, Trap, Water, Sqge	1
▲	19 1210756	(10000000- 20000000)	Gasket, Trap, Water, Sqge	1
▲▽	20 9015734	(10000000- 20000000)	Blade Kit, 650mm, Linatex/Linard (Standard)	1
▲▲	21 1221585	(10000000- 20000000)	Blade, Sqge, Rear, 1166l, Linatex[650mm] (Standard)	1
▲▲	22 1232680	(10000000- 20000000)	Blade, Sqge, Front, 1072l Linard[650mm] (Standard)	1
▲	23 1221260	(10000000- 20000000)	Retainer, Sqge, 65cm [T500]	1
▽	20 9015735	(10000000- 20000000)	Blade Kit, 650mm, Urethane (Option)	1
▲	21 1228909	(10000000- 20000000)	Blade, Sqge, Rear, 1136l,Urethane[650mm] (Option)	1
▲	22 1228915	(10000000- 20000000)	Blade, Sqge, Front,1072l,Urethane[650mm] (Option)	1
▽	20 9015733	(10000000- 20000000)	Blade Kit, 650mm, Gum (Option)	1
▲	21 1228910	(10000000- 20000000)	Blade, Sqge, Rear, 1136l, Gum[650mm] (Option)	1
▲	22 1228919	(10000000- 20000000)	Blade, Sqge, Front, 1072l Gum[650mm] (Option)	1

▽ ASSEMBLY

▲ INCLUDED IN ASSEMBLY

SQUEEGEE ASSEMBLY, 650MM / 26IN
(Original Style 9015301 - Replaced By 9021741)

355438



SQUEEGEE ASSEMBLY, 650MM / 26IN
(Original Style 9015301 - Replaced By 9021741)

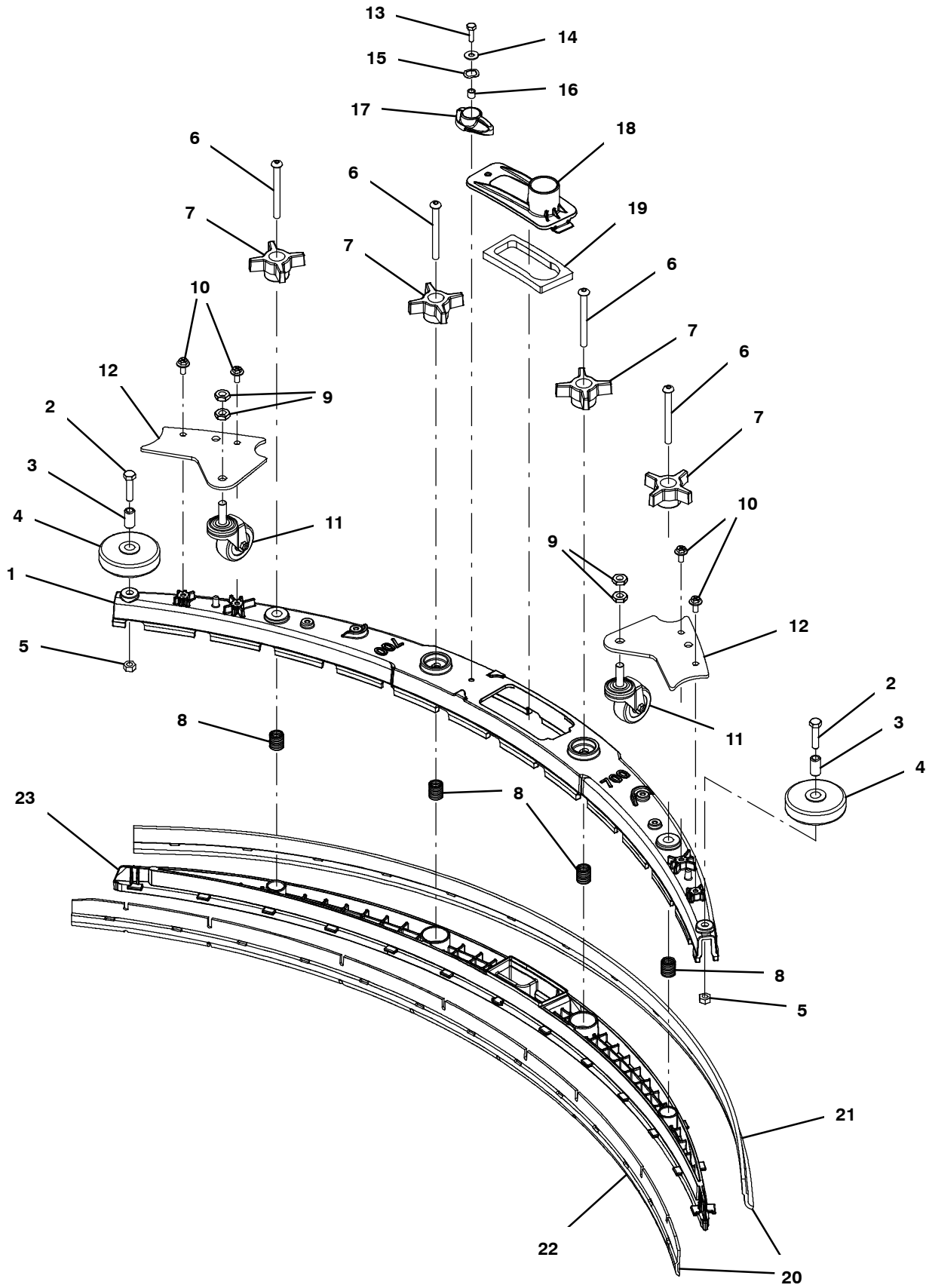
Ref.	Part No.	Serial Number	Description	Qty.
▽	9015301	(10000000- 11005985)	Squeegee Kit, 650mm, Ci (Replaced By 9021741)	1
▲	1	1243537	(10979889- 11005985) Frame, Sqge, 65cm, Mach [T500/T600]	1
▲	1	1221259	(10000000- 10979888) Frame, Sqge, 65cm, Mach [T500] (Replaced By 1243537)	1
▲	2	59658	(10000000- 20000000) Screw, Hex, M8 X 1.25 X 35, NI, Ss	2
▲	3	222496	(10000000- 20000000) Sleeve, P/M, 0.32b 0.50d 0.9l [430ss]	2
▲	4	222066	(10000000- 20000000) Wheel, 03.0d 0.88w 0.50b	2
▲	5	07786	(10000000- 20000000) Nut, Hex, Std, M8 X 1.25, Ss	2
▲	6	1255358	(10000000- 20000000) Screw, Btn, M8 X 1.25 X 80, Ss	4
▲	7	1074204	(10000000- 20000000) Knob,Star,2.75d 4ear 1.1l M8x1.25,Thru,Y	4
▲	8	22290	(10000000- 20000000) Spring, Cmpr, 0.72od .06wir 02.3l	4
▲	9	32716	(10000000- 11005985) Nut, Hex, Jam, M10 X 1.5, Ss	2
▲	10	1034731	(10000000- 11005985) Screw, Hex, M6 X 1.00 X 16, Sems, Ss	8
▲	11	1222236	(10000000- 11005985) Bracket Wldt, Caster, Rh Sqge[T500]	1
▲	12	1006343	(10000000- 20000000) Caster, Swivel, 50mmd, M10 X 30, Clr PI	2
▲	13	1222001	(10000000- 11005985) Bracket Wldt, Caster, Lh Sqge [T500]	1
▲	14	12277	(10000000- 20000000) Screw, Hex, M6 X 1.00 X 20, NI, Ss	1
▲	15	01684	(10000000- 20000000) Washer, Flat, 0.27b 0.69d .05, Ss	1
▲	16	140060	(10000000- 20000000) Washer, Wave- Spring, .505 .750 .045	1
▲	17	140154	(10000000- 20000000) Sleeve, P/M, 0.25b 0.38d 0.3l, PI	1
▲	18	1222109	(10000000- 20000000) Knob, Sqge, 58l, M6 X 1.00, Plstc	1
▲	19	1209631	(10000000- 20000000) Cover, Trap, Water, Sqge	1
▲	20	1210756	(10000000- 20000000) Gasket, Trap, Water, Sqge	1
▲▽	21	9015734	(10000000- 20000000) Blade Kit, 650mm, Linatex/Linard (Standard)	1
▲▲	22	1221585	(10000000- 20000000) Blade, Sqge, Rear, 1166l, Linatex[650mm] (Standard)	1
▲▲	23	1232680	(10000000- 20000000) Blade, Sqge, Front, 1072l Linard[650mm] (Standard)	1
▲	24	1221260	(10000000- 20000000) Retainer, Sqge, 65cm [T500]	1
▲	25	1230738	(10000000- 11005985) Bracket, Sqge Bumper	2
▽	21	9015735	(10000000- 20000000) Blade Kit, 650mm, Urethane (Option)	1
▲	22	1228909	(10000000- 20000000) Blade, Sqge, Rear, 1136l,Urethane[650mm] (Option)	1
▲	23	1228915	(10000000- 20000000) Blade, Sqge, Front,1072l,Urethane[650mm] (Option)	1
▽	21	9015733	(10000000- 20000000) Blade Kit, 650mm, Gum (Option)	1
▲	22	1228910	(10000000- 20000000) Blade, Sqge, Rear, 1136l, Gum[650mm] (Option)	1
▲	23	1228919	(10000000- 20000000) Blade, Sqge, Front, 1072l Gum[650mm] (Option)	1

▽ ASSEMBLY

▲ INCLUDED IN ASSEMBLY

SQUEEGEE ASSEMBLY, 700MM / 28IN
(New Style 9021742)

355839



**SQUEEGEE ASSEMBLY, 700MM / 28IN
(New Style 9021742)**

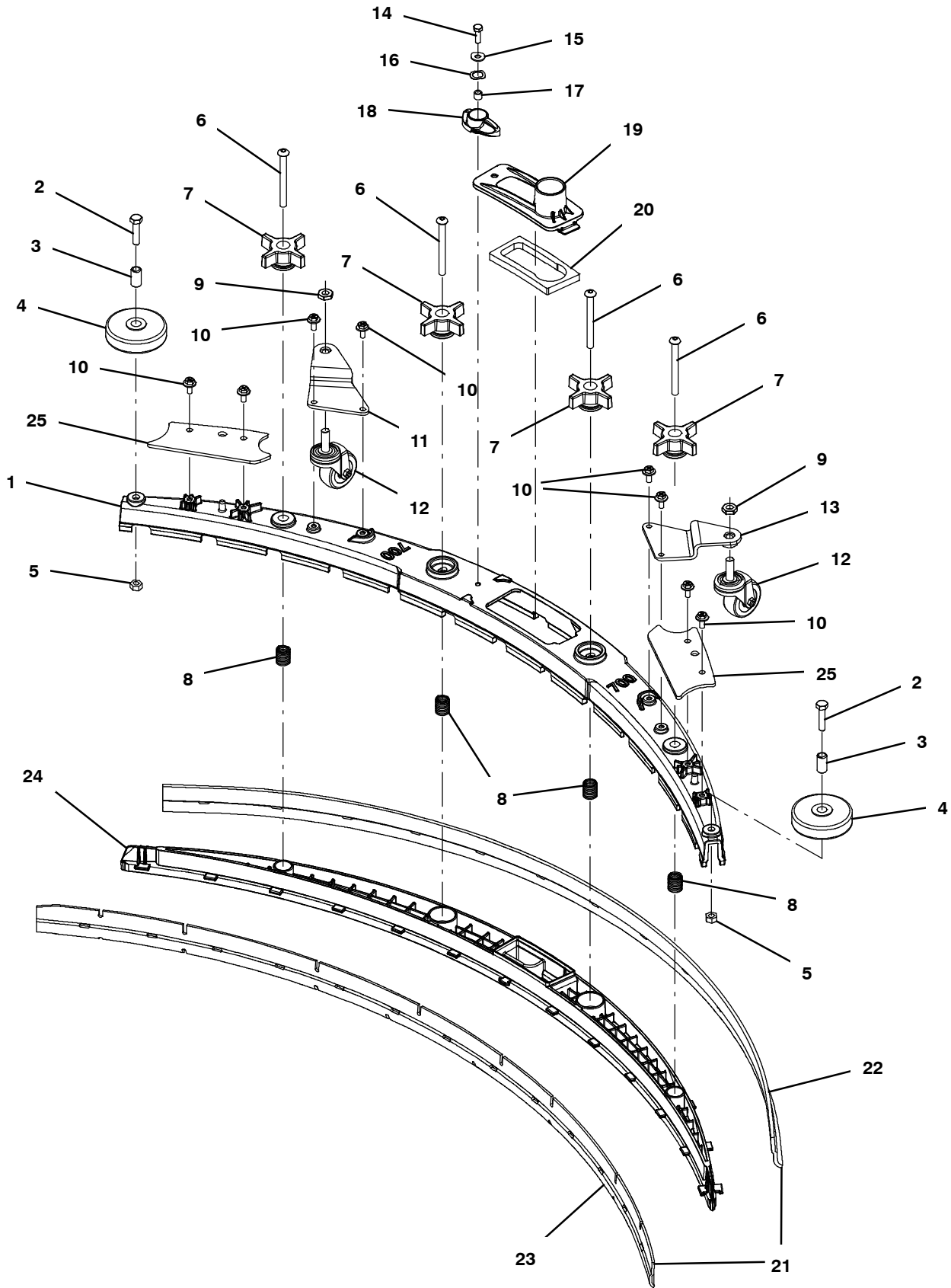
Ref.	Part No.	Serial Number	Description	Qty.
▽	9021742	(11005986- 20000000)	Squeegee Kit, 700mm	1
▲	1 1241632	(11005986- 20000000)	Frame, Sqge, 70cm, Mach [T500/T600]	1
▲	2 59658	(10000000- 20000000)	Screw, Hex, M8 X 1.25 X 35, NI, Ss	2
▲	3 222496	(10000000- 20000000)	Sleeve, P/M, 0.32b 0.50d 0.9l [430ss]	2
▲	4 222066	(10000000- 20000000)	Wheel, 03.0d 0.88w 0.50b	2
▲	5 07786	(10000000- 20000000)	Nut, Hex, Std, M8 X 1.25, Ss	2
▲	6 1255358	(10000000- 20000000)	Screw, Btn, M8 X 1.25 X 85, Ss	4
▲	7 1074204	(10000000- 20000000)	Knob,Star,2.75d 4ear 1.1l M8x1.25,Thru,Y	4
▲	8 22290	(10000000- 20000000)	Spring, Cmpr, 0.72od .06wir 02.3l	4
▲	9 32716	(11005986- 20000000)	Nut, Hex, Jam, M10 X 1.5, Ss	4
▲	10 1034731	(11005986- 20000000)	Screw, Hex, M6 X 1.00 X 16, Sems, Ss	4
▲	11 1006343	(10000000- 20000000)	Caster, Swivel, 50mmd, M10 X 30, Clr PI	2
▲	12 1243364	(11005986- 20000000)	Plate, Caster, Sqge	2
▲	13 12277	(10000000- 20000000)	Screw, Hex, M6 X 1.00 X 20, NI, Ss	1
▲	14 01684	(10000000- 20000000)	Washer, Flat, 0.27b 0.69d .05, Ss	1
▲	15 140060	(10000000- 20000000)	Washer, Wave- Spring, .505 .750 .045	1
▲	16 140154	(10000000- 20000000)	Sleeve, P/M, 0.25b 0.38d 0.3l, PI	1
▲	17 1222109	(10000000- 20000000)	Knob, Sqge, 58l, M6 X 1.00, Plstc	1
▲	18 1209631	(10000000- 20000000)	Cover, Trap, Water, Sqge	1
▲	19 1210756	(10000000- 20000000)	Gasket, Trap, Water, Sqge	1
▲▽	20 9015737	(10000000- 20000000)	Blade Kit, 700mm, Linatex/Linard (Standard)	1
▲▲	21 1221572	(10000000- 20000000)	Blade, Sqge, Rear, 1204l, Linatex[700mm] (Standard)	1
▲▲	22 1232679	(10000000- 20000000)	Blade, Sqge, Front, 1148l Linard[700mm] (Standard)	1
▲	23 1220783	(10000000- 20000000)	Retainer, Sqge, 70cm [T500]	1
▽	20 9015738	(10000000- 20000000)	Blade Kit, 700mm, Urethane (Option)	1
▲	21 1228904	(10000000- 20000000)	Blade, Sqge, Rear, 1204l,Urethane[700mm] (Option)	1
▲	22 1228906	(10000000- 20000000)	Blade, Sqge, Front,1148l Urethane[700mm] (Option)	1
▽	20 9015736	(10000000- 20000000)	Blade Kit, 700mm, Gum (Option)	1
▲	21 1228905	(10000000- 20000000)	Blade, Sqge, Rear, 1204l, Gum[700mm] (Option)	1
▲	22 1228907	(10000000- 20000000)	Blade, Sqge, Front, 1148l Gum[700mm] (Option)	1

▽ ASSEMBLY

▲ INCLUDED IN ASSEMBLY

SQUEEGEE ASSEMBLY, 700MM / 28IN
(Original Style 9015302 - Replaced By 9021742)

355439



SQUEEGEE ASSEMBLY, 700MM / 28IN
(Original Style 9015302 - Replaced By 9021742)

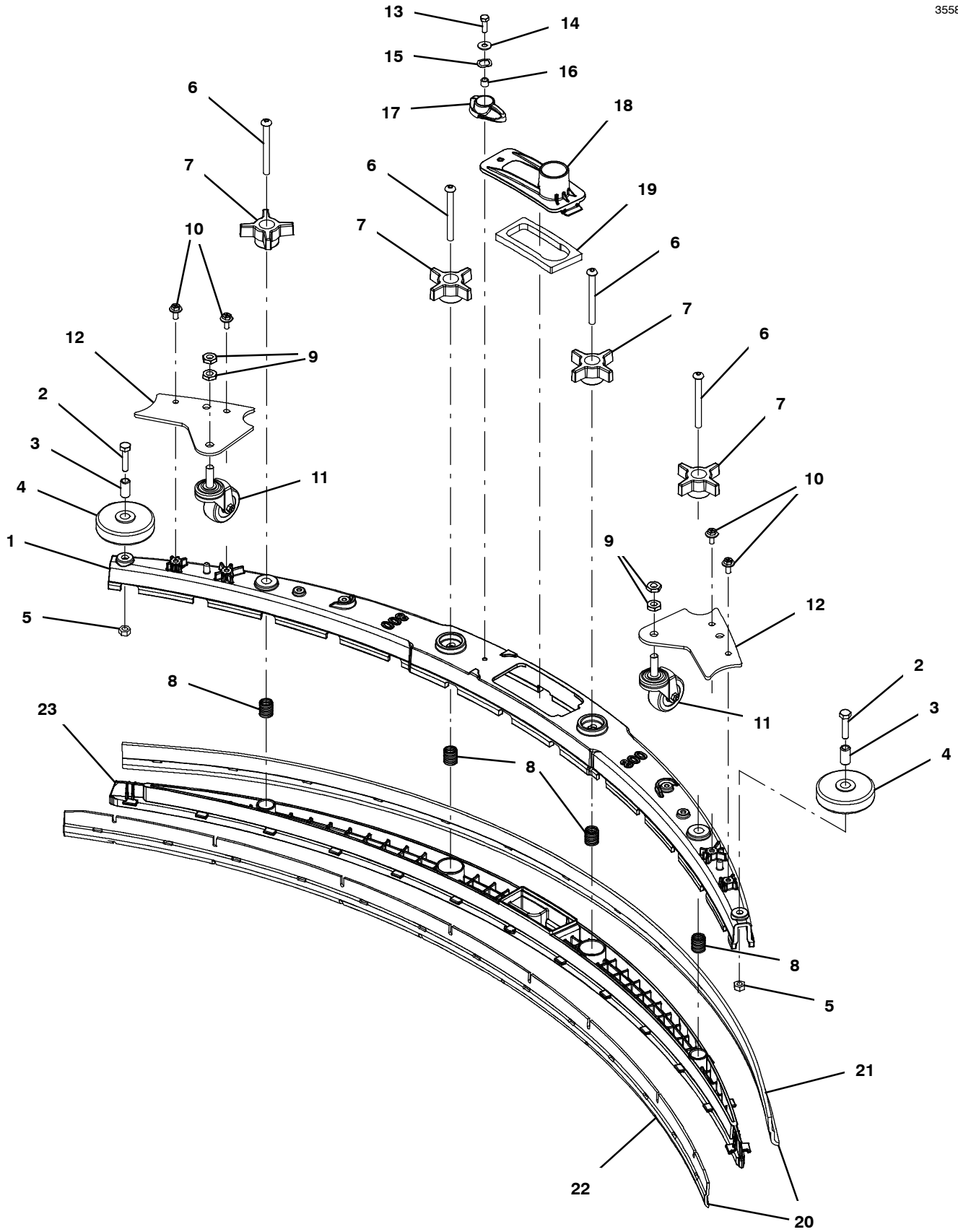
Ref.	Part No.	Serial Number	Description	Qty.
▽	9015302	(10000000- 11005985)	Squeegee Kit, 700mm, Ci (Replaced By 9021742)	1
▲	1 1241632	(10983981- 11005985)	Frame, Sqge, 70cm, Mach [T500/T600]	1
▲	1 1220309	(10000000- 10983980)	Frame, Sqge, 70cm, Mach [T500] (Replaced By 1241632)	1
▲	2 59658	(10000000- 20000000)	Screw, Hex, M8 X 1.25 X 35, NI, Ss	2
▲	3 222496	(10000000- 20000000)	Sleeve, P/M, 0.32b 0.50d 0.9l [430ss]	2
▲	4 222066	(10000000- 20000000)	Wheel, 03.0d 0.88w 0.50b	2
▲	5 07786	(10000000- 20000000)	Nut, Hex, Std, M8 X 1.25, Ss	2
▲	6 1255358	(10000000- 20000000)	Screw, Btn, M8 X 1.25 X 80, Ss	4
▲	7 1074204	(10000000- 20000000)	Knob,Star,2.75d 4ear 1.1l M8x1.25,Thru,Y	4
▲	8 22290	(10000000- 20000000)	Spring, Cmpr, 0.72od .06wir 02.3l	4
▲	9 32716	(10000000- 11005985)	Nut, Hex, Jam, M10 X 1.5, Ss	2
▲	10 1034731	(10000000- 11005985)	Screw, Hex, M6 X 1.00 X 16, Sems, Ss	8
▲	11 1222236	(10000000- 11005985)	Bracket Wldt, Caster, Rh Sqge[T500]	1
▲	12 1006343	(10000000- 20000000)	Caster, Swivel, 50mmd, M10 X 30, Clr PI	2
▲	13 1222001	(10000000- 11005985)	Bracket Wldt, Caster, Lh Sqge [T500]	1
▲	14 12277	(10000000- 20000000)	Screw, Hex, M6 X 1.00 X 20, NI, Ss	1
▲	15 01684	(10000000- 20000000)	Washer, Flat, 0.27b 0.69d .05, Ss	1
▲	16 140060	(10000000- 20000000)	Washer, Wave- Spring, .505 .750 .045	1
▲	17 140154	(10000000- 20000000)	Sleeve, P/M, 0.25b 0.38d 0.3l, PI	1
▲	18 1222109	(10000000- 20000000)	Knob, Sqge, 58l, M6 X 1.00, Plstc	1
▲	19 1209631	(10000000- 20000000)	Cover, Trap, Water, Sqge	1
▲	20 1210756	(10000000- 20000000)	Gasket, Trap, Water, Sqge	1
▲▽	21 9015737	(10000000- 20000000)	Blade Kit, 700mm, Linatex/Linard (Standard)	1
▲▲	22 1221572	(10000000- 20000000)	Blade, Sqge, Rear, 1204l, Linatex[700mm] (Standard)	1
▲▲	23 1232679	(10000000- 20000000)	Blade, Sqge, Front, 1148l Linard[700mm] (Standard)	1
▲	24 1220783	(10000000- 20000000)	Retainer, Sqge, 70cm [T500]	1
▲	25 1230738	(10000000- 11005985)	Bracket, Sqge Bumper	2
▽	21 9015738	(10000000- 20000000)	Blade Kit, 700mm, Urethane (Option)	1
▲	22 1228904	(10000000- 20000000)	Blade, Sqge, Rear, 1204l,Urethane[700mm] (Option)	1
▲	23 1228906	(10000000- 20000000)	Blade, Sqge, Front,1148l Urethane[700mm] (Option)	1
▽	21 9015736	(10000000- 20000000)	Blade Kit, 700mm, Gum (Option)	1
▲	22 1228905	(10000000- 20000000)	Blade, Sqge, Rear, 1204l, Gum[700mm] (Option)	1
▲	23 1228907	(10000000- 20000000)	Blade, Sqge, Front, 1148l Gum[700mm] (Option)	1

▽ ASSEMBLY

▲ INCLUDED IN ASSEMBLY

SQUEEGEE ASSEMBLY, 800MM / 32IN
(New Style 9021743)

355840



**SQUEEGEE ASSEMBLY, 800MM / 32IN
(New Style 9021743)**

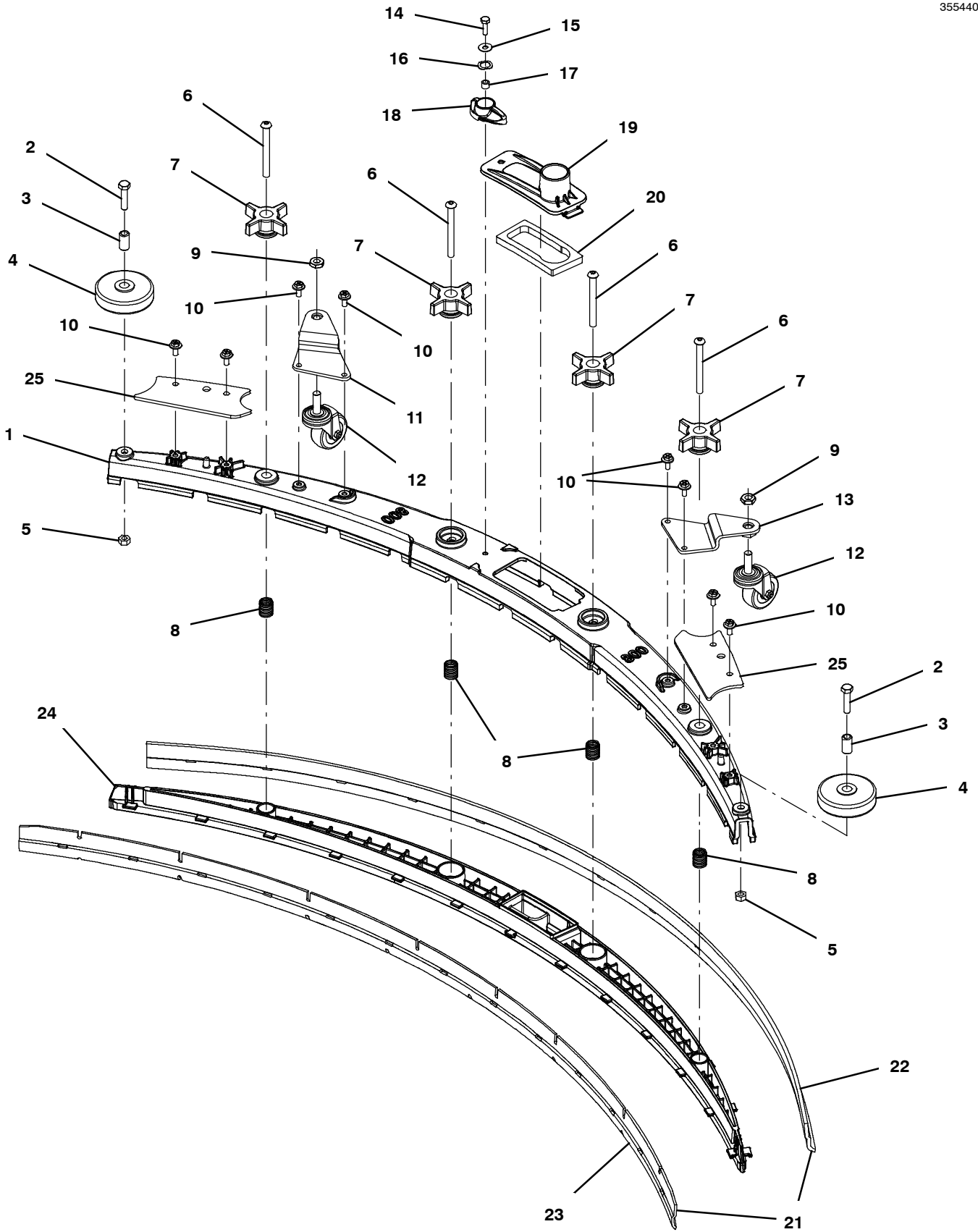
Ref.	Part No.	Serial Number	Description	Qty.
▽	9021743	(11005986- 20000000)	Squeegee Kit, 800mm	1
▲	1 1243538	(11005986- 20000000)	Frame, Sqge, 80cm, Mach [T500/T600]	1
▲	2 59658	(10000000- 20000000)	Screw, Hex, M8 X 1.25 X 35, NI, Ss	2
▲	3 222496	(10000000- 20000000)	Sleeve, P/M, 0.32b 0.50d 0.9l [430ss]	2
▲	4 222066	(10000000- 20000000)	Wheel, 03.0d 0.88w 0.50b	2
▲	5 07786	(10000000- 20000000)	Nut, Hex, Std, M8 X 1.25, Ss	2
▲	6 1255358	(10000000- 20000000)	Screw, Btn, M8 X 1.25 X 85, Ss	4
▲	7 1074204	(10000000- 20000000)	Knob,Star,2.75d 4ear 1.1l M8x1.25,Thru,Y	4
▲	8 22290	(10000000- 20000000)	Spring, Cmpr, 0.72od .06wir 02.3l	4
▲	9 32716	(11005986- 20000000)	Nut, Hex, Jam, M10 X 1.5, Ss	4
▲	10 1034731	(11005986- 20000000)	Screw, Hex, M6 X 1.00 X 16, Sems, Ss	4
▲	11 1006343	(10000000- 20000000)	Caster, Swivel, 50mmd, M10 X 30, Clr PI	2
▲	12 1243364	(11005986- 20000000)	Plate, Caster, Sqge	2
▲	13 12277	(10000000- 20000000)	Screw, Hex, M6 X 1.00 X 20, NI, Ss	1
▲	14 01684	(10000000- 20000000)	Washer, Flat, 0.27b 0.69d .05, Ss	1
▲	15 140060	(10000000- 20000000)	Washer, Wave- Spring, .505 .750 .045	1
▲	16 140154	(10000000- 20000000)	Sleeve, P/M, 0.25b 0.38d 0.3l, PI	1
▲	17 1222109	(10000000- 20000000)	Knob, Sqge, 58l, M6 X 1.00, Plstc	1
▲	18 1209631	(10000000- 20000000)	Cover, Trap, Water, Sqge	1
▲	19 1210756	(10000000- 20000000)	Gasket, Trap, Water, Sqge	1
▲▽	20 9015740	(10000000- 20000000)	Blade Kit, 800mm, Linatex/Linard (Standard)	1
▲▲	21 1221115	(10000000- 20000000)	Blade, Sqge, Rear, 1306l, Linatex[800mm] (Standard)	1
▲▲	22 1232681	(10000000- 20000000)	Blade, Sqge, Front, 1256l Linard[800mm] (Standard)	1
▲	23 1219405	(10000000- 20000000)	Retainer, Sqge, 80cm [T500]	1
▽	20 9015741	(10000000- 20000000)	Blade Kit, 800mm, Urethane (Option)	1
▲	21 1228920	(10000000- 20000000)	Blade, Sqge, Rear, 1306l,Urethane[800mm] (Option)	1
▲	22 1228922	(10000000- 20000000)	Blade, Sqge, Front,1256l Urethane[800mm] (Option)	1
▽	20 9015739	(10000000- 20000000)	Blade Kit, 800mm, Gum (Option)	1
▲	21 1228921	(10000000- 20000000)	Blade, Sqge, Rear, 1306l, Gum[800mm] (Option)	1
▲	22 1228923	(10000000- 20000000)	Blade, Sqge, Front, 1256l Gum[800mm] (Option)	1

▽ ASSEMBLY

▲ INCLUDED IN ASSEMBLY

SQUEEGEE ASSEMBLY, 800MM / 32IN
(Original Style 9015303 - Replaced By 9021743)

355440



SQUEEGEE ASSEMBLY, 800MM / 32IN
(Original Style 9015303 - Replaced By 9021743)

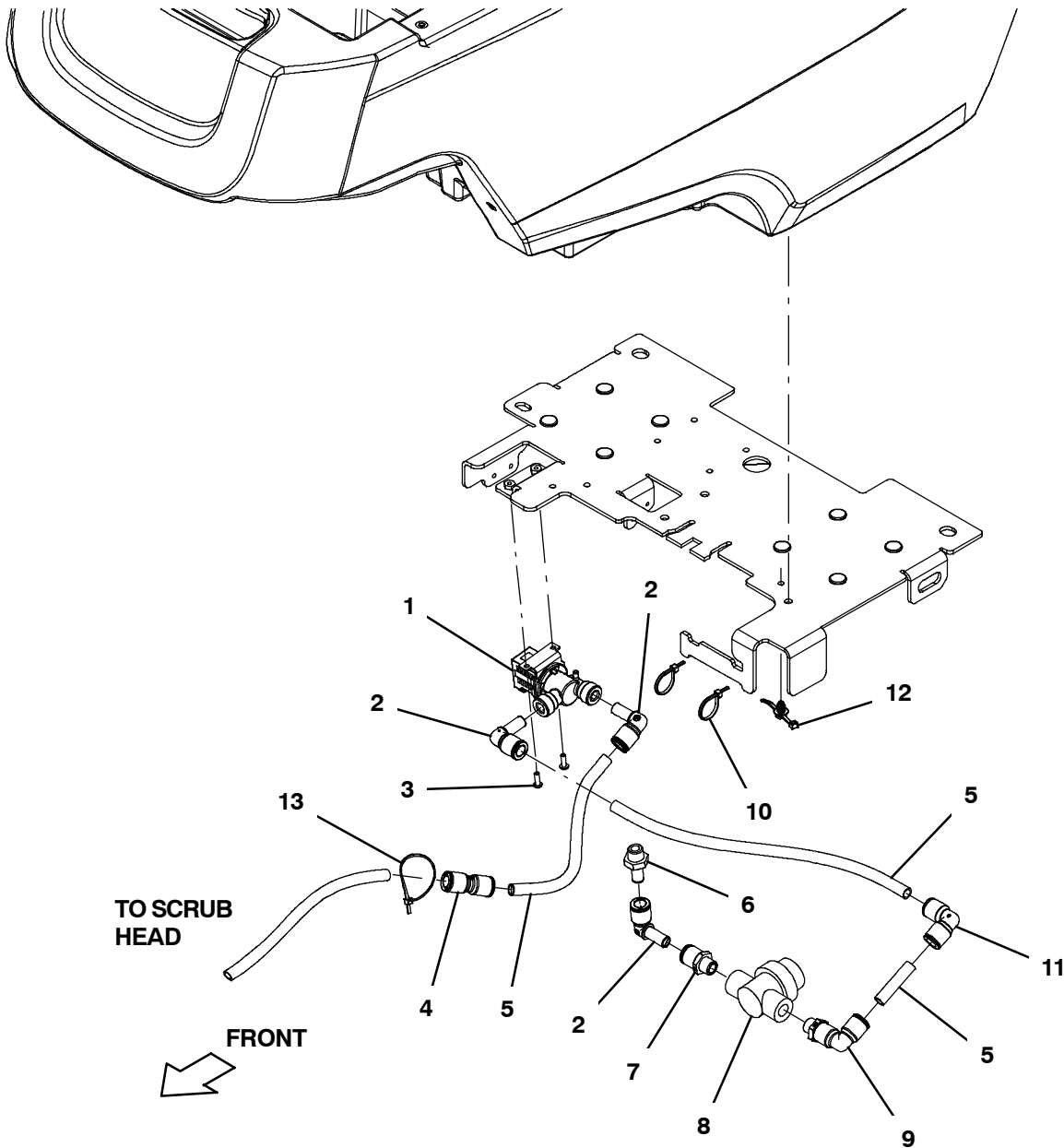
Ref.	Part No.	Serial Number	Description	Qty.
▽	9015303	(10000000- 11005985)	Squeegee Kit, 800mm, Ci (Replaced By 9021743)	1
▲	1 1243538	(10996996- 11005985)	Frame, Sqge, 80cm, Mach [T500/T600]	1
▲	1 1219894	(10000000- 10996995)	Frame, Sqge, 80cm, Mach [T500] (Replaced By 1243538)	1
▲	2 59658	(10000000- 20000000)	Screw, Hex, M8 X 1.25 X 35, NI, Ss	2
▲	3 222496	(10000000- 20000000)	Sleeve, P/M, 0.32b 0.50d 0.9l [430ss]	2
▲	4 222066	(10000000- 20000000)	Wheel, 03.0d 0.88w 0.50b	2
▲	5 07786	(10000000- 20000000)	Nut, Hex, Std, M8 X 1.25, Ss	2
▲	6 1255358	(10000000- 20000000)	Screw, Btn, M8 X 1.25 X 80, Ss	4
▲	7 1074204	(10000000- 20000000)	Knob,Star,2.75d 4ear 1.1l M8x1.25,Thru,Y	4
▲	8 22290	(10000000- 20000000)	Spring, Cmpr, 0.72od .06wir 02.3l	4
▲	9 32716	(10000000- 11005985)	Nut, Hex, Jam, M10 X 1.5, Ss	2
▲	10 1034731	(10000000- 11005985)	Screw, Hex, M6 X 1.00 X 16, Sems, Ss	8
▲	11 1222236	(10000000- 11005985)	Bracket Wldt, Caster, Rh Sqge[T500]	1
▲	12 1006343	(10000000- 20000000)	Caster, Swivel, 50mmd, M10 X 30, Clr PI	2
▲	13 1222001	(10000000- 11005985)	Bracket Wldt, Caster, Lh Sqge [T500]	1
▲	14 12277	(10000000- 20000000)	Screw, Hex, M6 X 1.00 X 20, NI, Ss	1
▲	15 01684	(10000000- 20000000)	Washer, Flat, 0.27b 0.69d .05, Ss	1
▲	16 140060	(10000000- 20000000)	Washer, Wave- Spring, .505 .750 .045	1
▲	17 140154	(10000000- 20000000)	Sleeve, P/M, 0.25b 0.38d 0.3l, PI	1
▲	18 1222109	(10000000- 20000000)	Knob, Sqge, 58l, M6 X 1.00, Plstc	1
▲	19 1209631	(10000000- 20000000)	Cover, Trap, Water, Sqge	1
▲	20 1210756	(10000000- 20000000)	Gasket, Trap, Water, Sqge	1
▲▽	21 9015740	(10000000- 20000000)	Blade Kit, 800mm, Linatex/Linard (Standard)	1
▲▲	22 1221115	(10000000- 20000000)	Blade, Sqge, Rear, 1306l, Linatex[800mm] (Standard)	1
▲▲	23 1232681	(10000000- 20000000)	Blade, Sqge, Front, 1256l Linard[800mm] (Standard)	1
▲	24 1219405	(10000000- 20000000)	Retainer, Sqge, 80cm [T500]	1
▲	25 1230738	(10000000- 11005985)	Bracket, Sqge Bumper	2
▽	21 9015741	(10000000- 20000000)	Blade Kit, 800mm, Urethane (Option)	1
▲	22 1228920	(10000000- 20000000)	Blade, Sqge, Rear, 1306l,Urethane[800mm] (Option)	1
▲	23 1228922	(10000000- 20000000)	Blade, Sqge, Front,1256l Urethane[800mm] (Option)	1
▽	21 9015739	(10000000- 20000000)	Blade Kit, 800mm, Gum (Option)	1
▲	22 1228921	(10000000- 20000000)	Blade, Sqge, Rear, 1306l, Gum[800mm] (Option)	1
▲	23 1228923	(10000000- 20000000)	Blade, Sqge, Front, 1256l Gum[800mm] (Option)	1

▽ ASSEMBLY

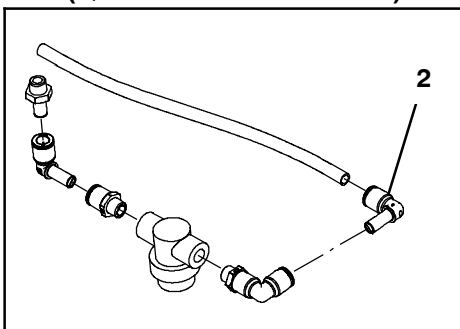
▲ INCLUDED IN ASSEMBLY

STANDARD SOLUTION GROUP

355435



(S/N 1000000 - 10865726)



STANDARD SOLUTION GROUP

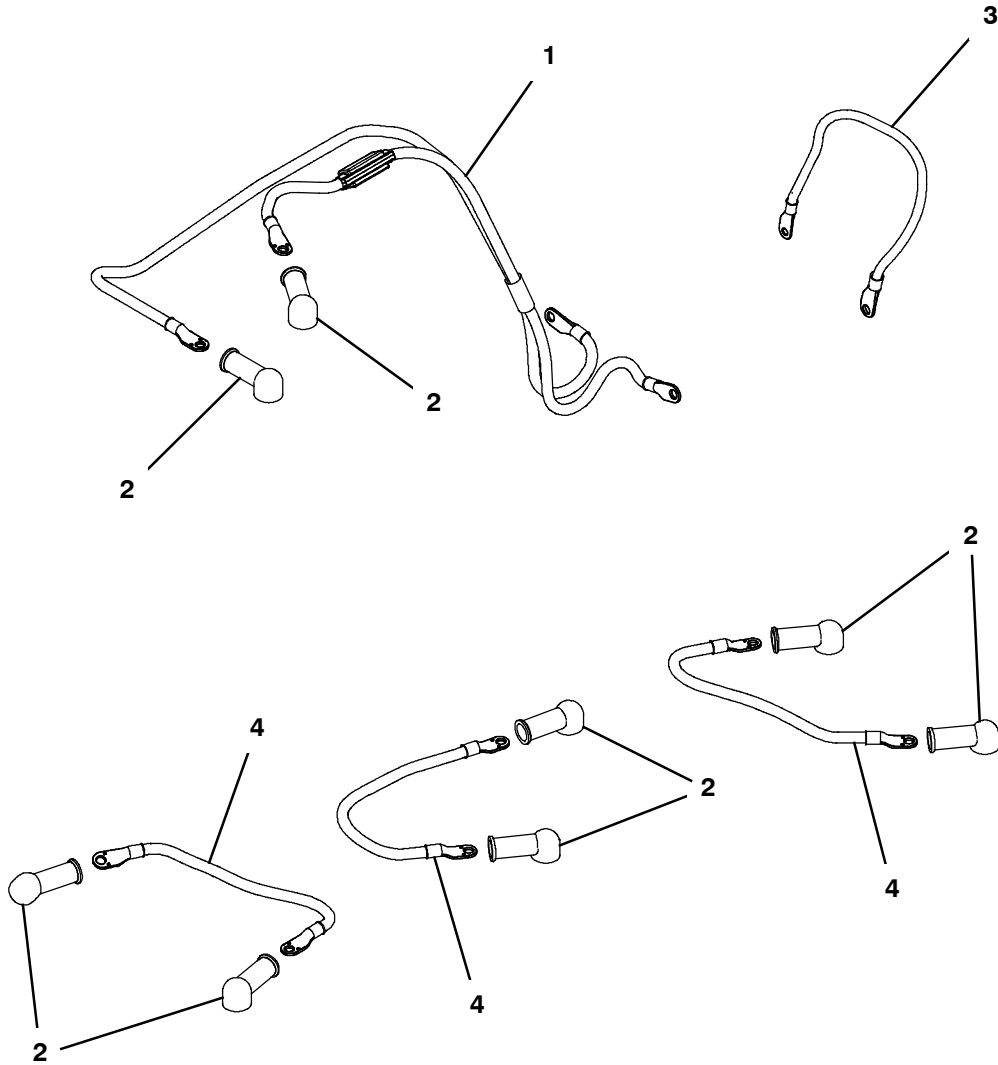
Ref.	Part No.	Serial Number	Description	Qty.	
1	1211424	(10000000- 20000000)	Valve, Water, Solenoid, 24vdc Qf08/Qf08	1	
2	1212809	(10865727- 20000000)	Fitting, Plstc, E90, Qf08/Qm08	3	
2	1212809	(10000000- 10865726)	Fitting, Plstc, E90, Qf08/Qm08	4	
3	1205799	(10000000- 20000000)	Screw, Btn, M5 X 0.8 X 16, 8.8, NI, Torx	2	
4	1212859	(10000000- 20000000)	Fitting, Plstc, Str, Qf08/Qf08	1	
5	9014145	(10000000- 20000000)	Hose, Afmkt, Pe, .375id .50od, 05ft	1	
6	1227552	(10000000- 20000000)	Fitting, Plstc, Str, Qm08/Pm06	1	
7	1212813	(10000000- 20000000)	Fitting, Plstc, Str, Qf08/Pm06	1	
▽	8	1211537	(10000000- 20000000)	Filter, In- Line, Pf06/Pf06 080m 2.6l Epd	1
▲		1218885	(10000000- 20000000)	Gasket [Epdm, F/1211537]	1
▲		1218883	(10000000- 20000000)	Screen, Fltr, 80 Mesh, Ss [W/ Cage]	1
▲		613991	(10000000- 20000000)	Bowl, Clr, Short, F/1005302	1
	9	1212987	(10000000- 20000000)	Fitting, Plstc, E90, Qf08/Pm06, Swivel	1
	10	130773	(10000000- 20000000)	Tie, Cable, Nyl, 11.0l, .14w, 3.0 Max. D	2
	11	1221945	(10865727- 20000000)	Fitting, Plstc, E90, Qf08/Qf08	1
	12	1210807	(10865727- 20000000)	Wire, Tie [W/.25" Fir Tree Clip]	1
	13	130773	(10000000- 20000000)	Tie, Cable, Nyl, 11.0l, .14w, 3.0 Max. D	1

▽ ASSEMBLY

▲ INCLUDED IN ASSEMBLY

STANDARD BATTERY CABLES GROUP

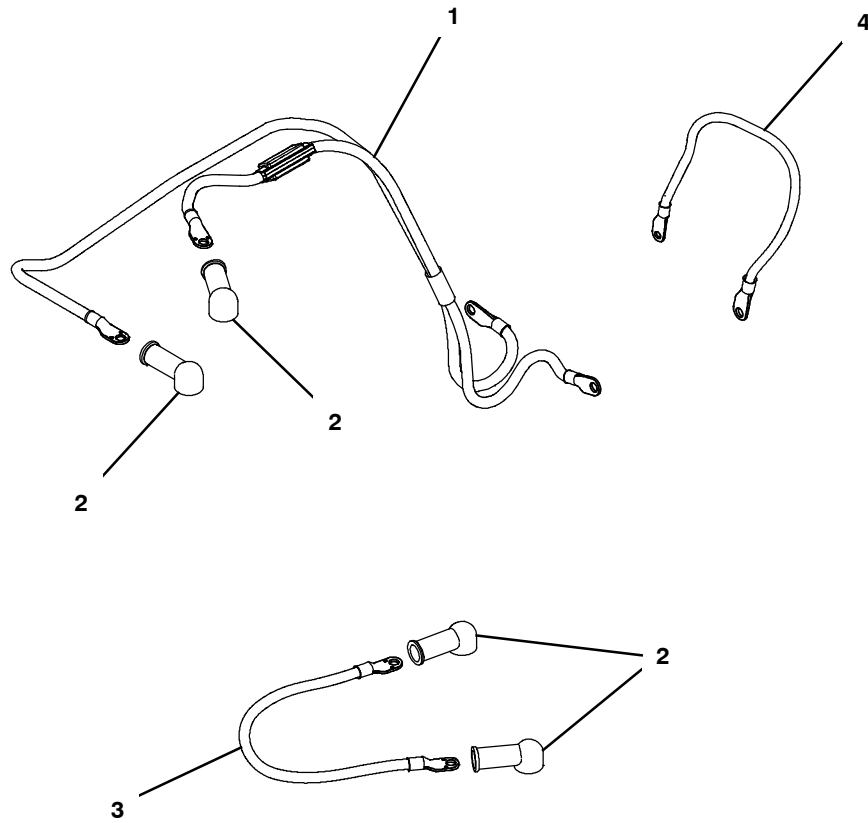
355456



Ref.	Part No.	Serial Number	Description	Qty.
1	1074942	(10000000- 20000000)	Cable, Assy [T500,T500e]	1
2	611221	(10000000- 20000000)	Boot, Terminal, Battery, 25.4mm, Blk	8
3	1074945	(10000000- 20000000)	Cable, 04ga 15.0l Red [M8 Ring/M6 Ring]	1
4	1073680	(10000000- 20000000)	Cable, 04ga 15.0l Blk [M8 Ring/M8 Ring]	3

BATTERY CABLES GROUP, TPPL BATTERY

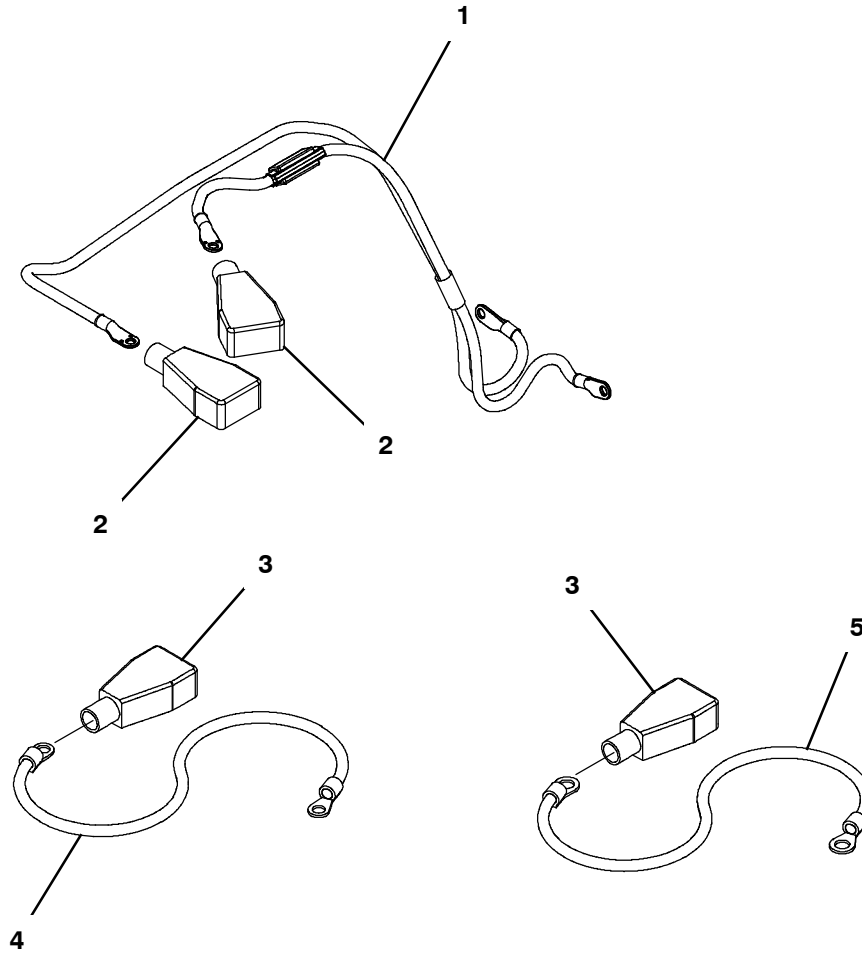
355805



Ref.	Part No.	Serial Number	Description	Qty.
1	1076930	(10000000-20000000)	Cable, Assy .31ring/.25ring [T500, T500e]	1
2	611221	(10000000-20000000)	Boot, Terminal, Battery, 25.4mm, Blk	4
3	1076929	(10000000-20000000)	Cable, 04ga 15.0l Blk, .25ring/.25ring	1
4	1074945	(10000000-20000000)	Cable, 04ga 15.0l Red [M8 Ring/M6 Ring]	1

BATTERY CABLES GROUP, LITHIUM-ION BATTERY

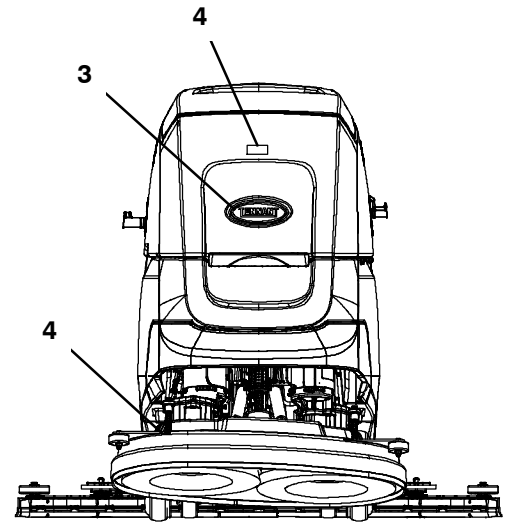
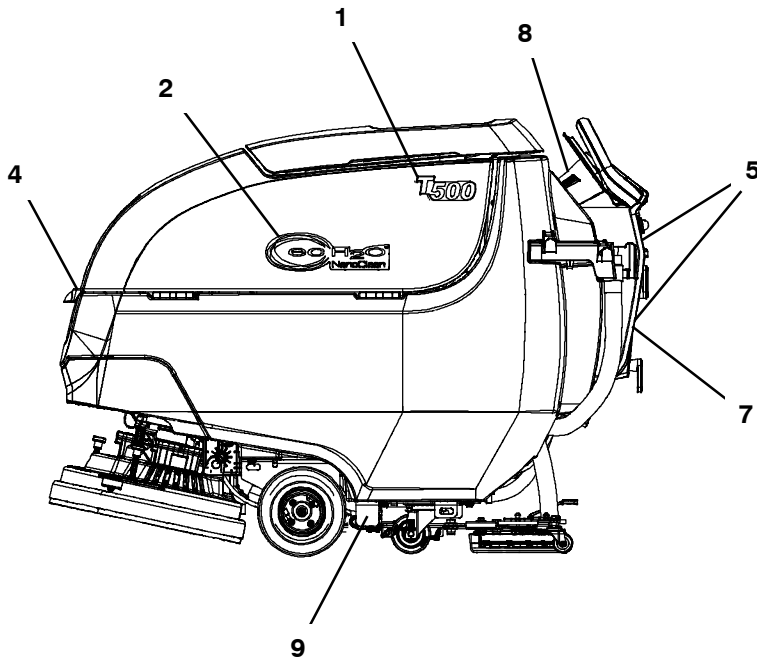
355965



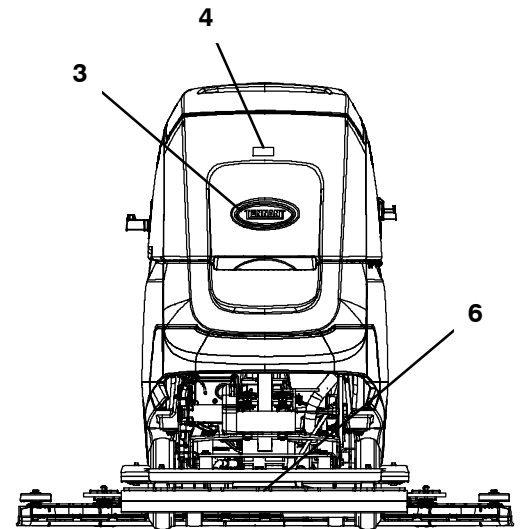
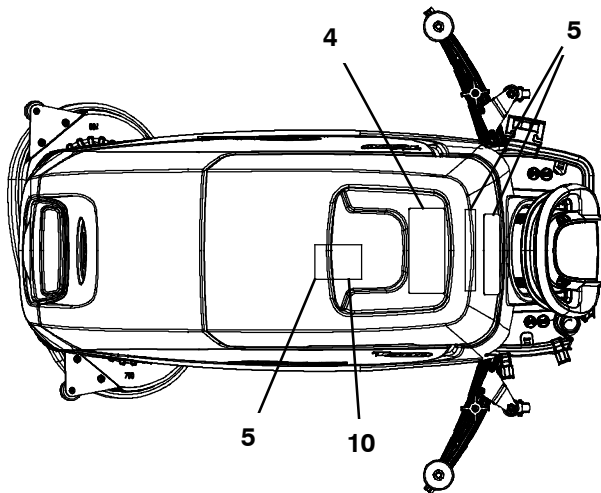
Ref.	Part No.	Serial Number	Description	Qty.
1	1266969	(10000000- 20000000)	Cable, Assy, [T500, T500e]	1
2	68872	(10000000- 20000000)	Boot, Terminal, Battery, 02- 01ga, Blk	2
3	68872	(10000000- 20000000)	Boot, Terminal, Battery, 02- 01ga, Blk (2 Battery System Only)	2
4	1077083	(10000000- 20000000)	Cable, 04ga 18.0l Red .41ring /.41ring (2 Battery System Only)	1
5	223364	(10000000- 20000000)	Cable, 04ga 18.0l Blk .34ring /.34ring (2 Battery System Only)	1

LABEL GROUP

355966



DISK & CYLINDRICAL HEAD



ORBITAL HEAD

Ref.	Part No.	Serial Number	Description	Qty.
1	1224983	(10000000- 20000000)	Label, T500	2
2	1216520	(10000000- 20000000)	Label, Logo [Ech2o Nano]	2
3	1213114	(10000000- 20000000)	Label, Logo, 05.5l, Blk/Sil [Tennant]	1
4	1220962	(10000000- 20000000)	Label Sheet, Info/Hzrd [T500, Na]	1
5	1220965	(10000000- 20000000)	Label Sheet, Operational [T500]	1
6	1224995	(10000000- 20000000)	Label, Orbital, Size, 70cm	1
7	1225763	(10000000- 20000000)	Label, Decal, Charger, Off- Board	1
8	1229725	(10000000- 20000000)	Label, Warning [Do Not Spray]	1
9	1231798	(10865727- 20000000)	Label, Info, Filter	1
10	1266965	(10000000- 20000000)	Label, Hzrd, Battery [T500/E/Ss500, Li] (Lithium- Ion Batteries)	1

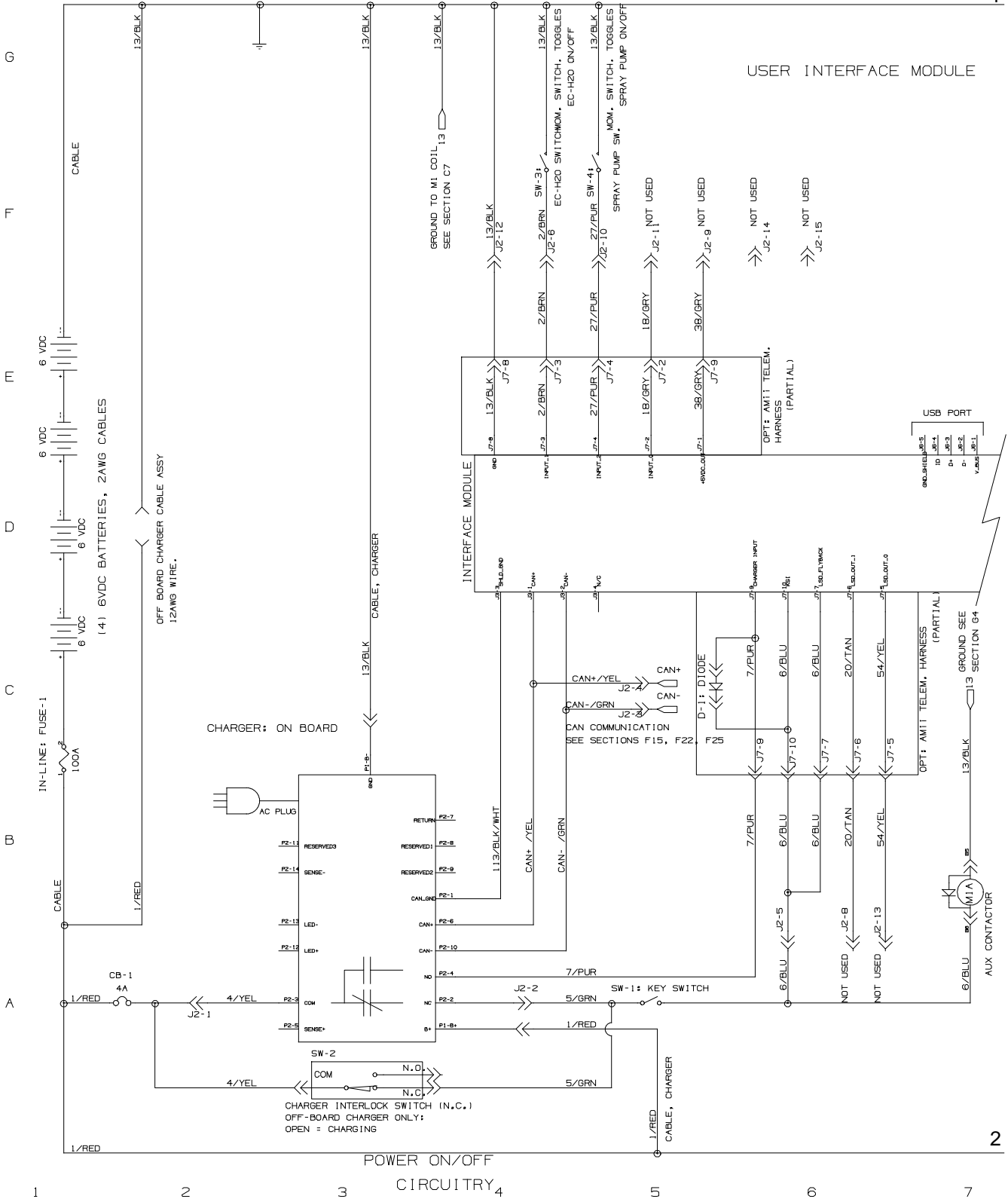
ELECTRICAL DIAGRAM (PAGE 1 OF 8)
(S/N 10995399 -)

1075014_02

BATTERY /
CHARGER
SYSTEMS

T500 WITH STANDARD LEAD ACID BATTERIES

1



2

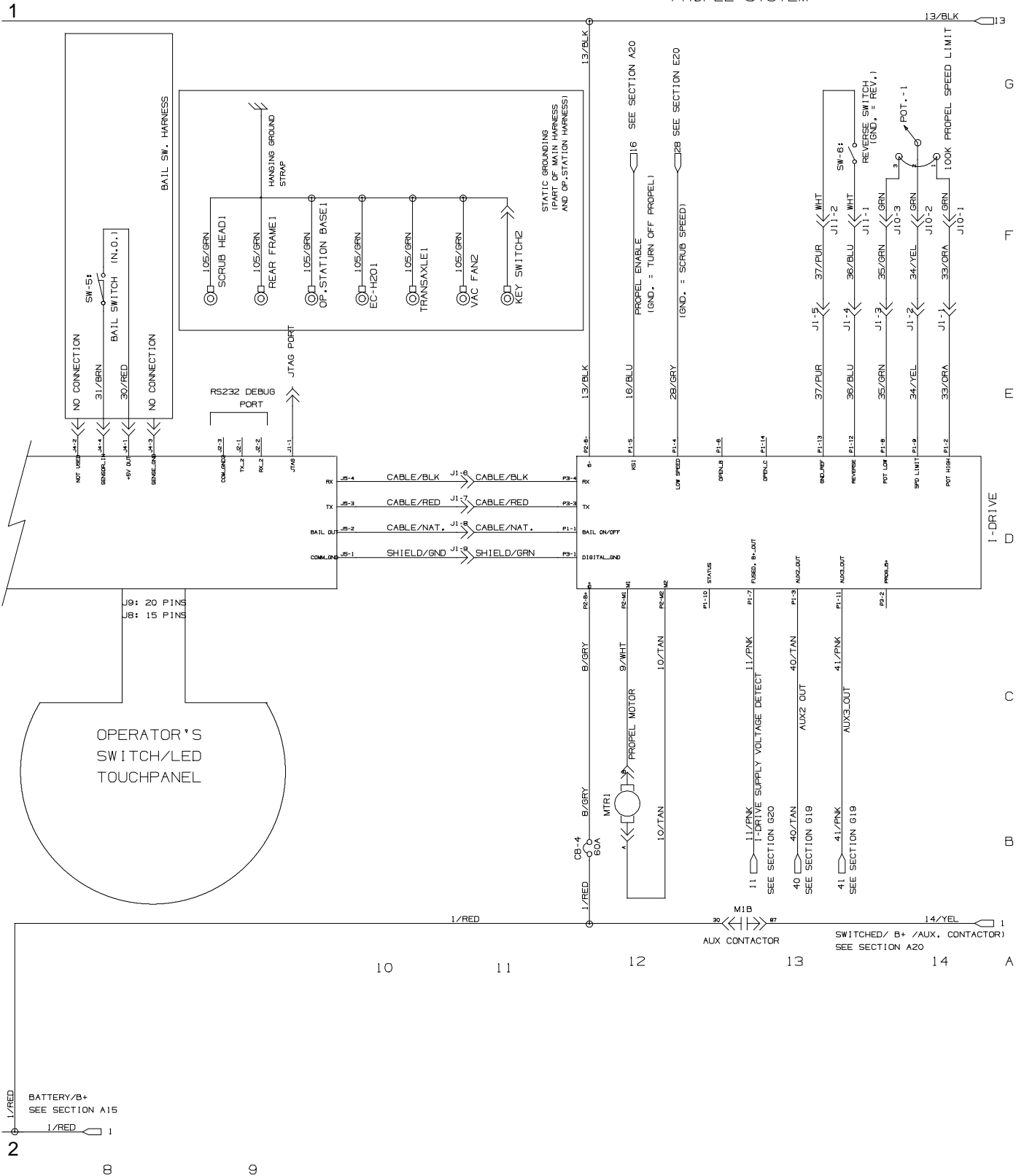
ELECTRICAL DIAGRAM (PAGE 2 OF 8)
(S/N 10995399 -)

T500 WITH STANDARD LEAD ACID BATTERIES

1075014_02

PROPEL SYSTEM

BATTERY -
SEE SECTION G15

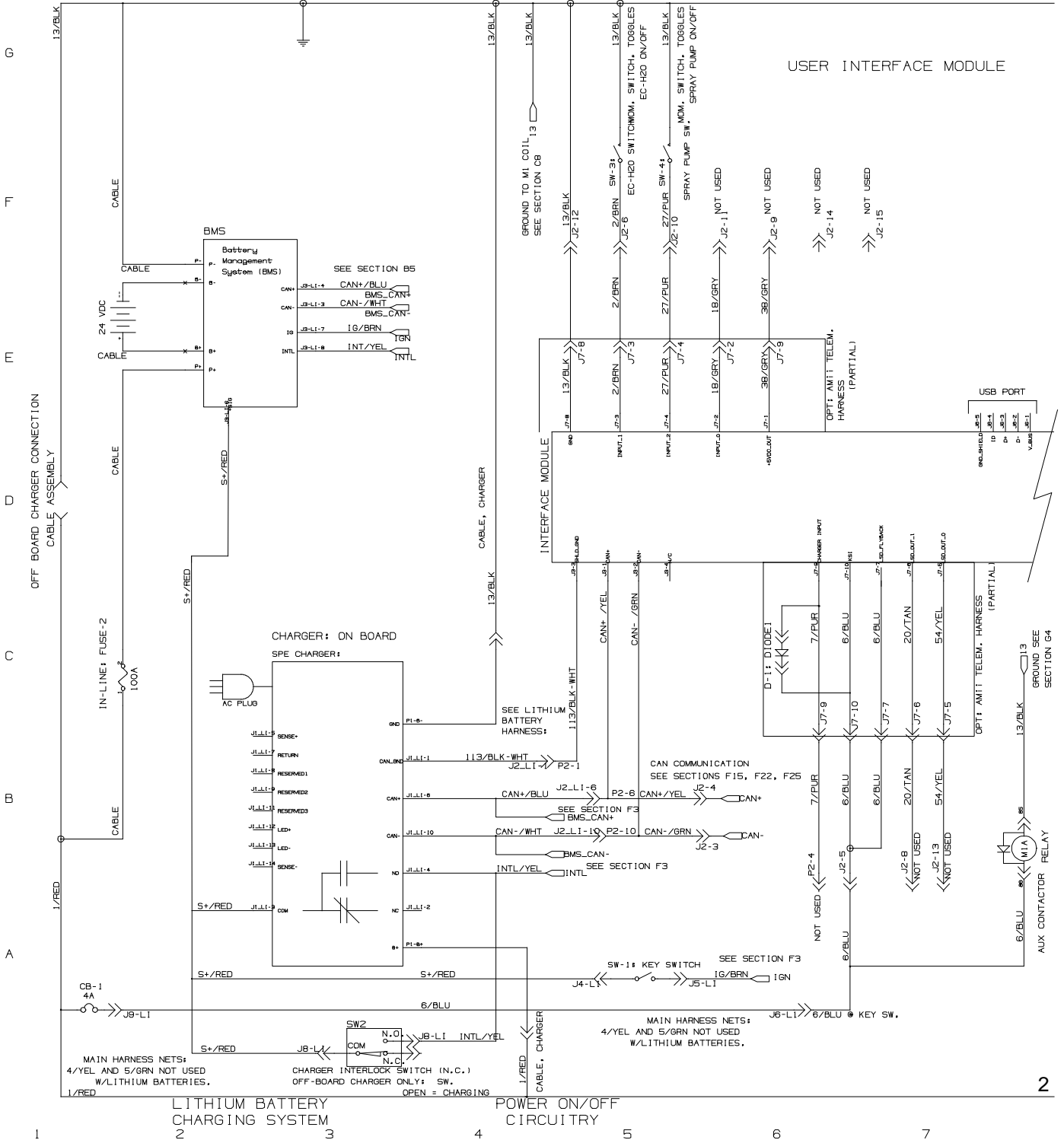


ELECTRICAL DIAGRAM (PAGE 3 OF 8)
(S/N 10995399 -)

1075014_02

T500 WITH LITHIUM ION BATTERIES

1



2

ELECTRICAL DIAGRAM (PAGE 4 OF 8)
(S/N 10995399 -)

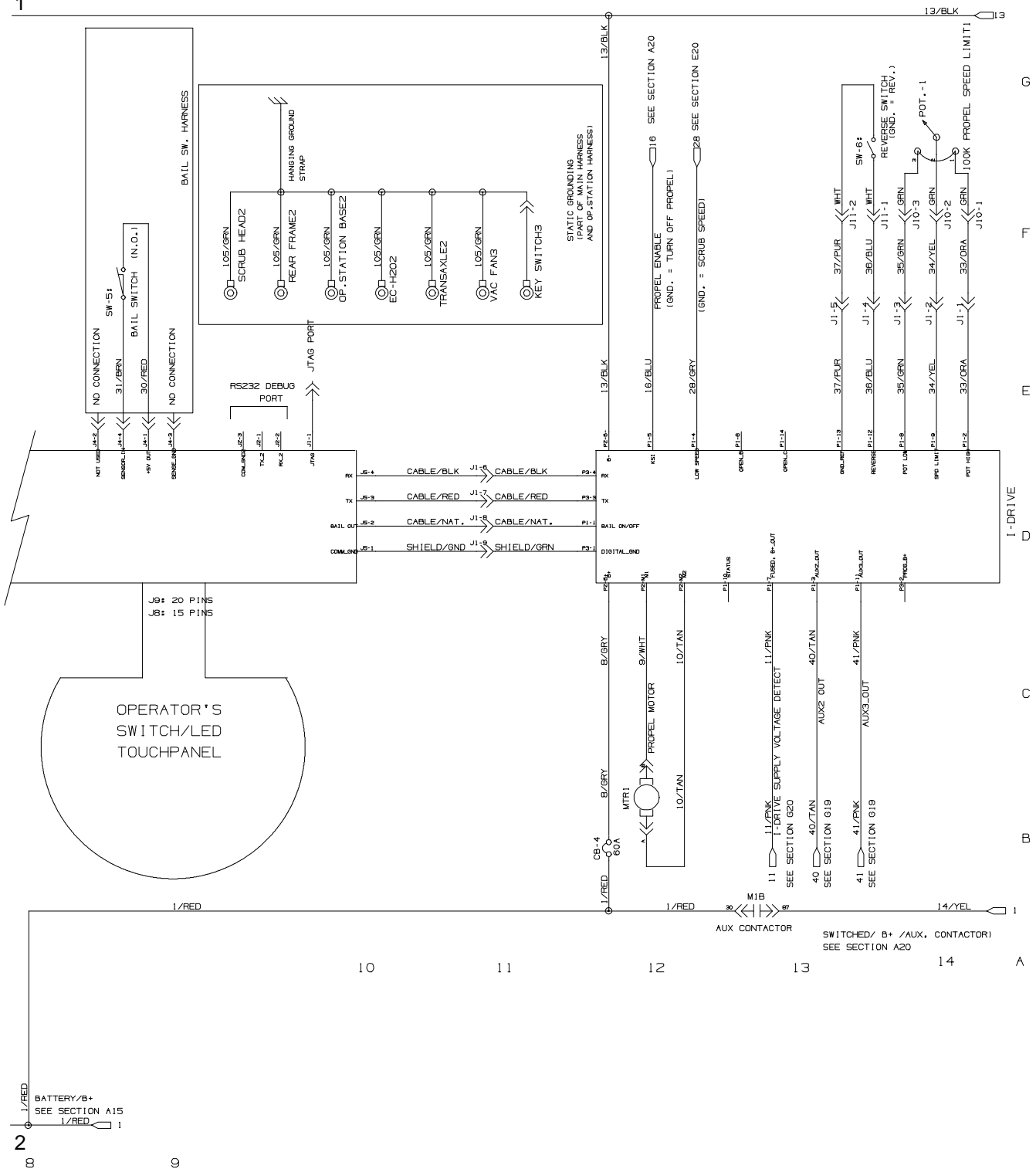
1075014_02

T500 WITH LITHIUM ION BATTERIES

PROPEL SYSTEM

BATTERY -
SEE SECTION G15

1



2

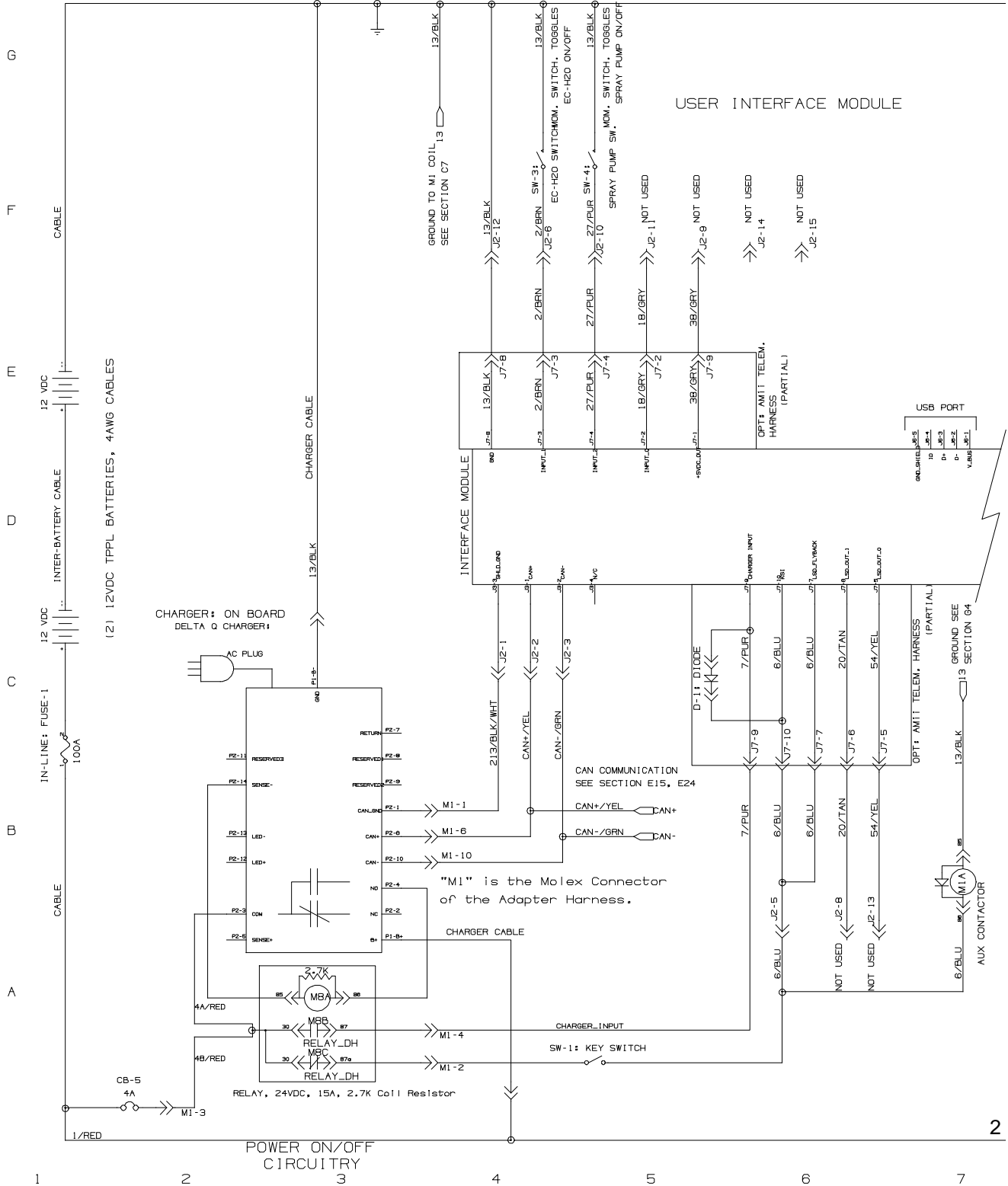
ELECTRICAL DIAGRAM (PAGE 5 OF 8)
(S/N 10995399 -)

1075014_02

BATTERY /
CHARGER
SYSTEMS

T500 WITH TPPL BATTERIES

1

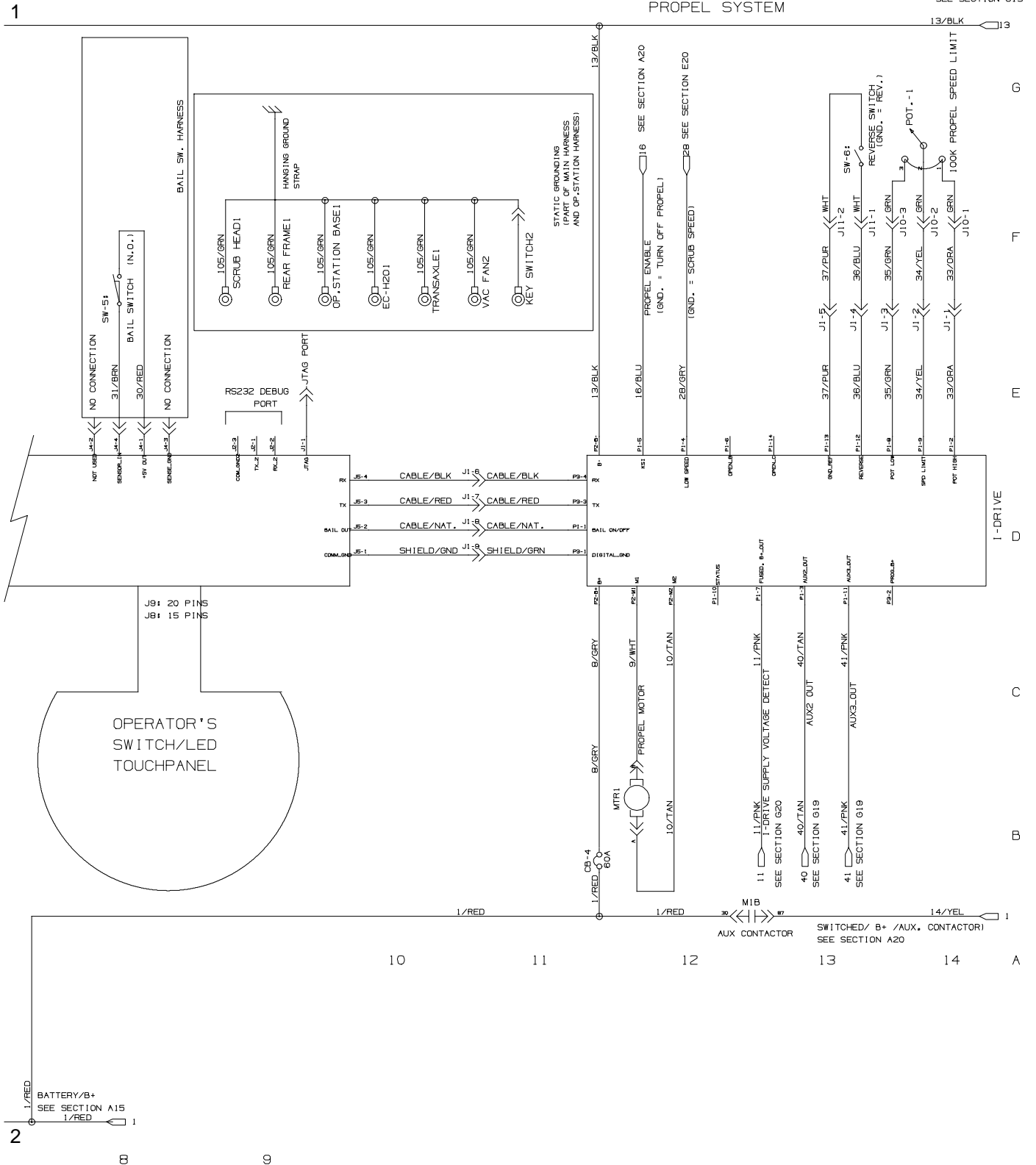


2

ELECTRICAL DIAGRAM (PAGE 6 OF 8)
(S/N 10995399 -)

1075014_02

T500 WITH TPPL BATTERIES



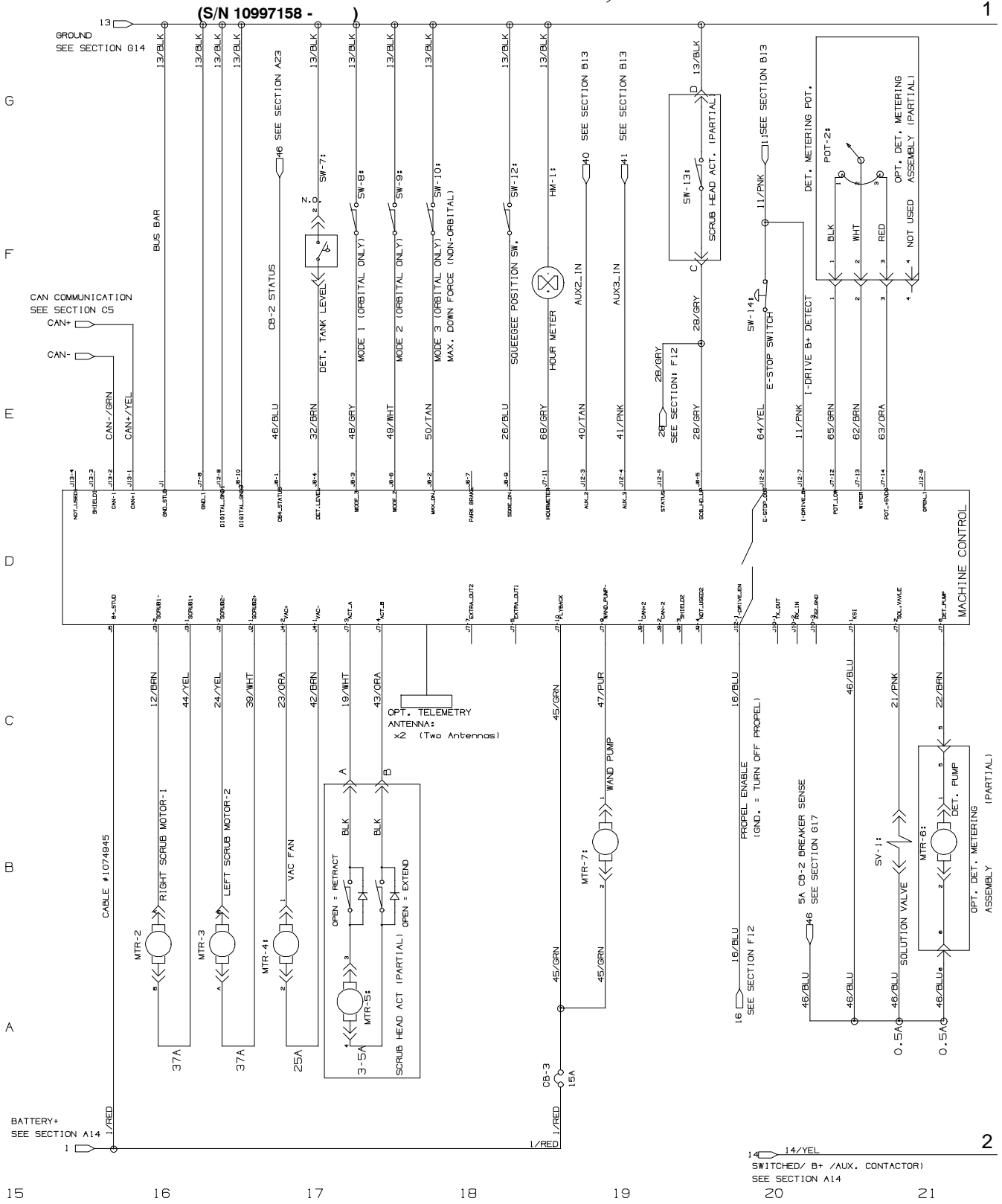
ELECTRICAL DIAGRAM (PAGE 7 OF 8)
(S/N 10995399 -)

1075014_02

PREMIUM CONTROLLER

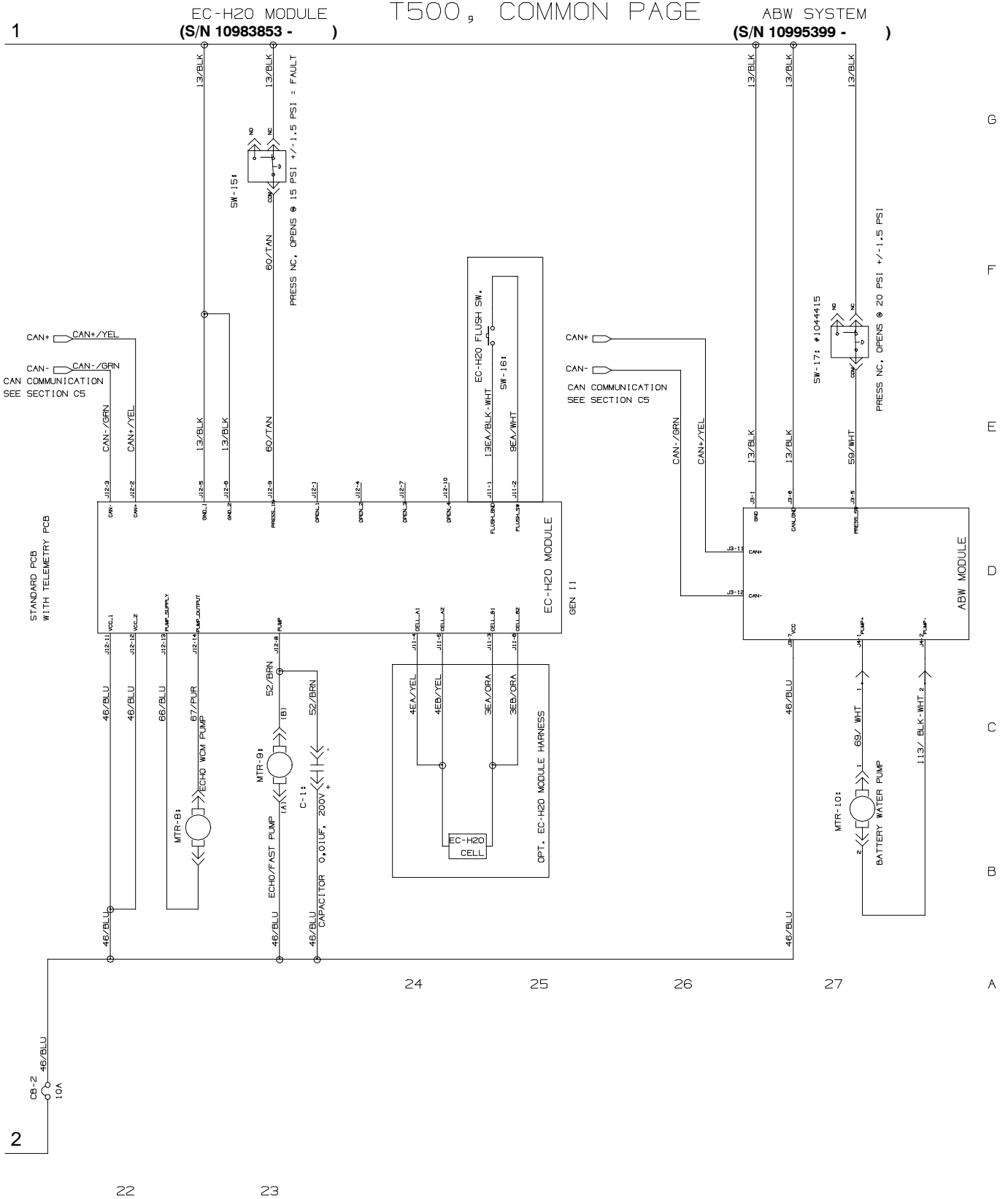
T500, COMMON PAGE

1



ELECTRICAL DIAGRAM (PAGE 8 OF 8)
(S/N 10995399 -)

1075014_02



ELECTRICAL DIAGRAM (PAGE 1 OF 4)
(S/N 1000000 - 10995398)

1075014_00

BATTERY /
CHARGER
SYSTEMS

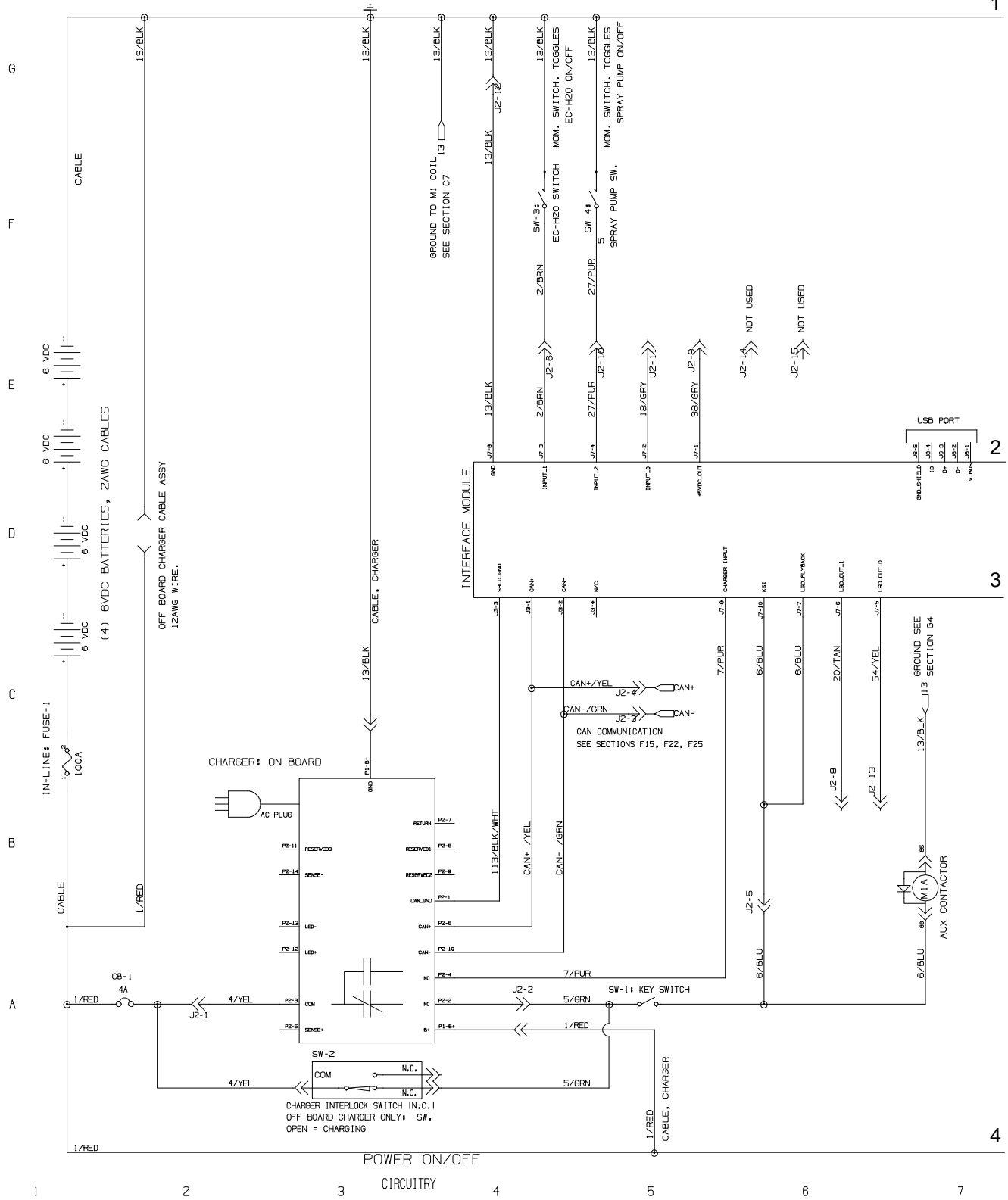
USER INTERFACE
MODULE

1

2

3

4

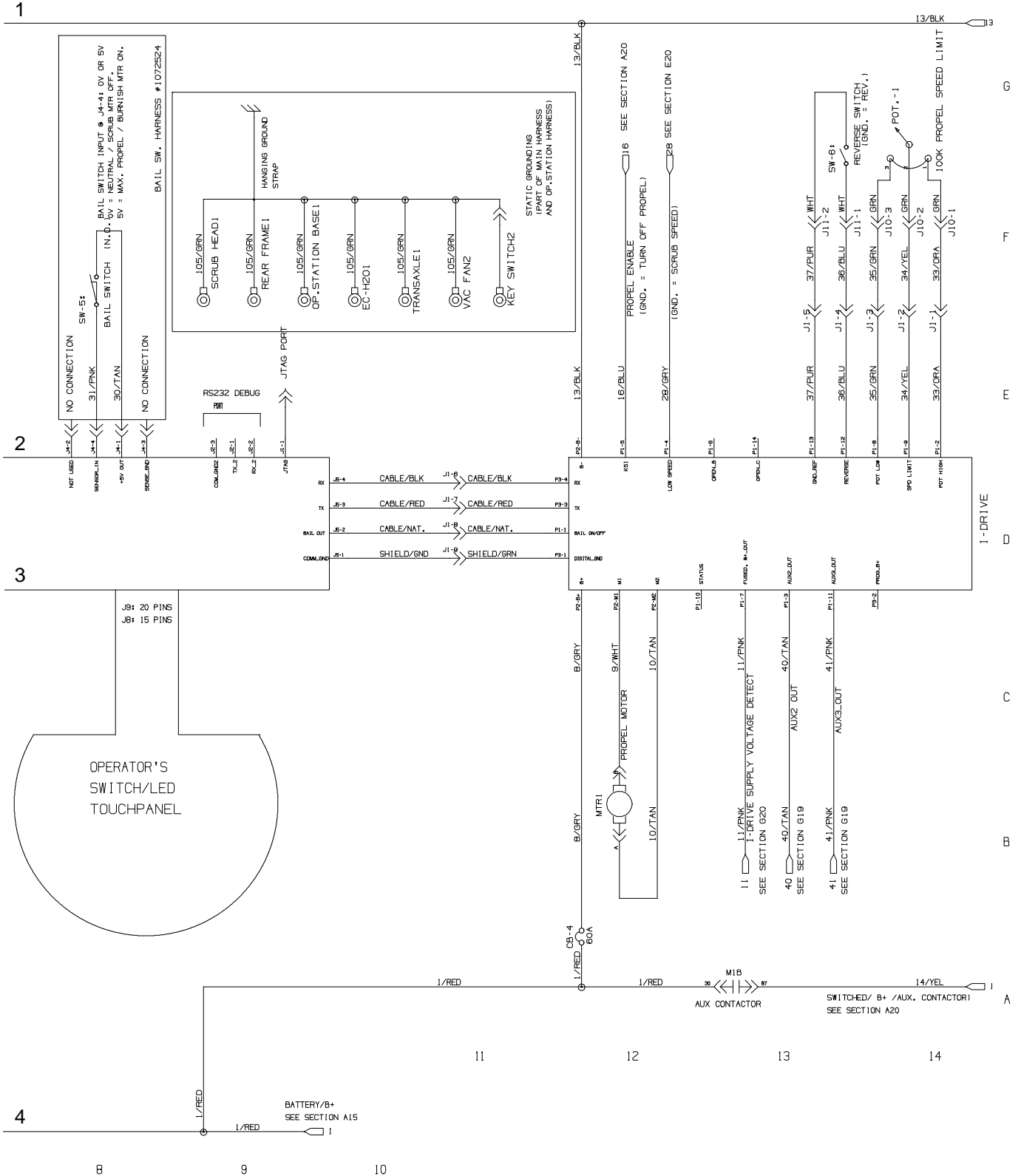


ELECTRICAL DIAGRAM (PAGE 2 OF 4)
(S/N 1000000 - 10995398)

1075014_00

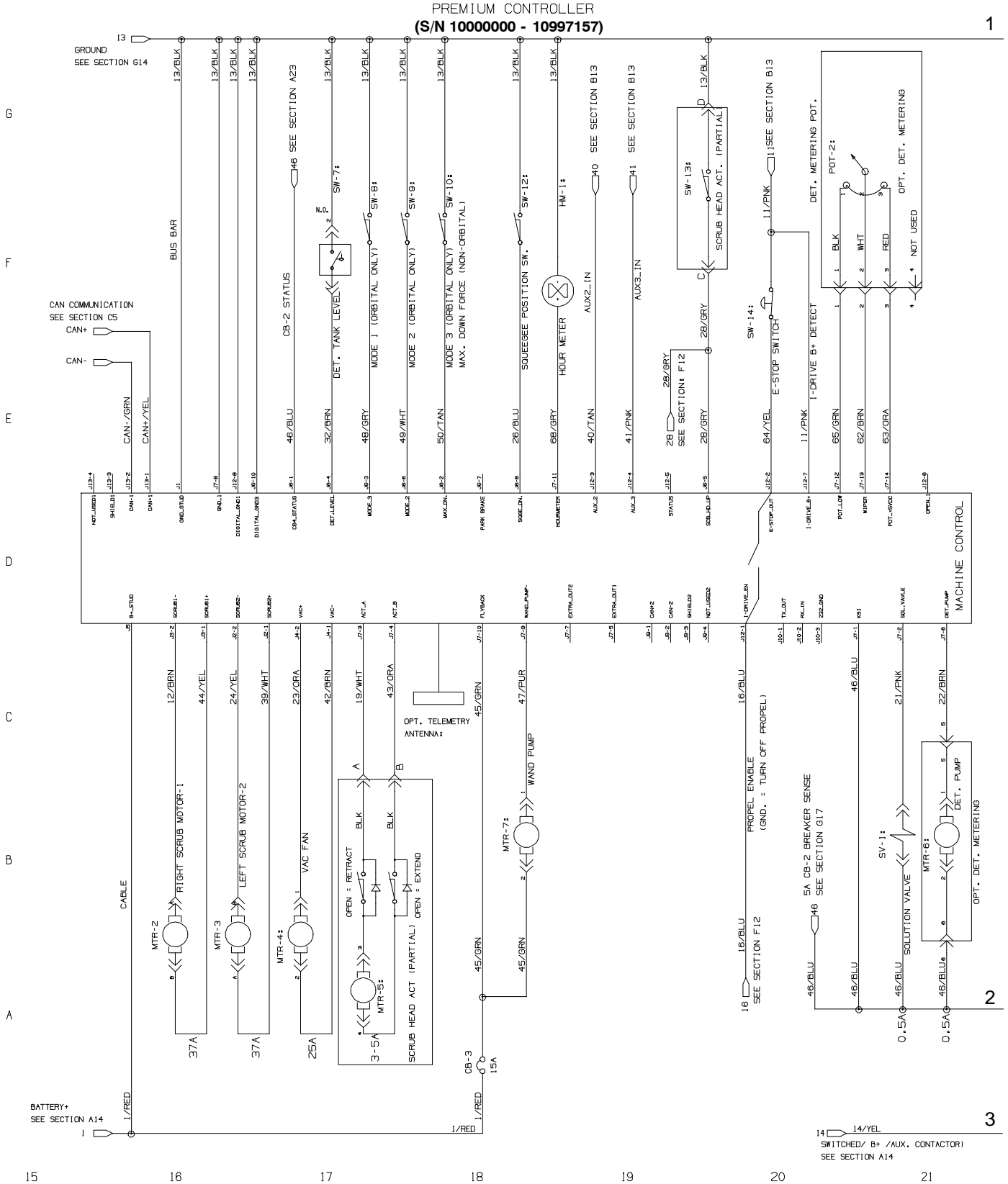
PROPEL SYSTEM

BATTERY-
SEE SECTION 615



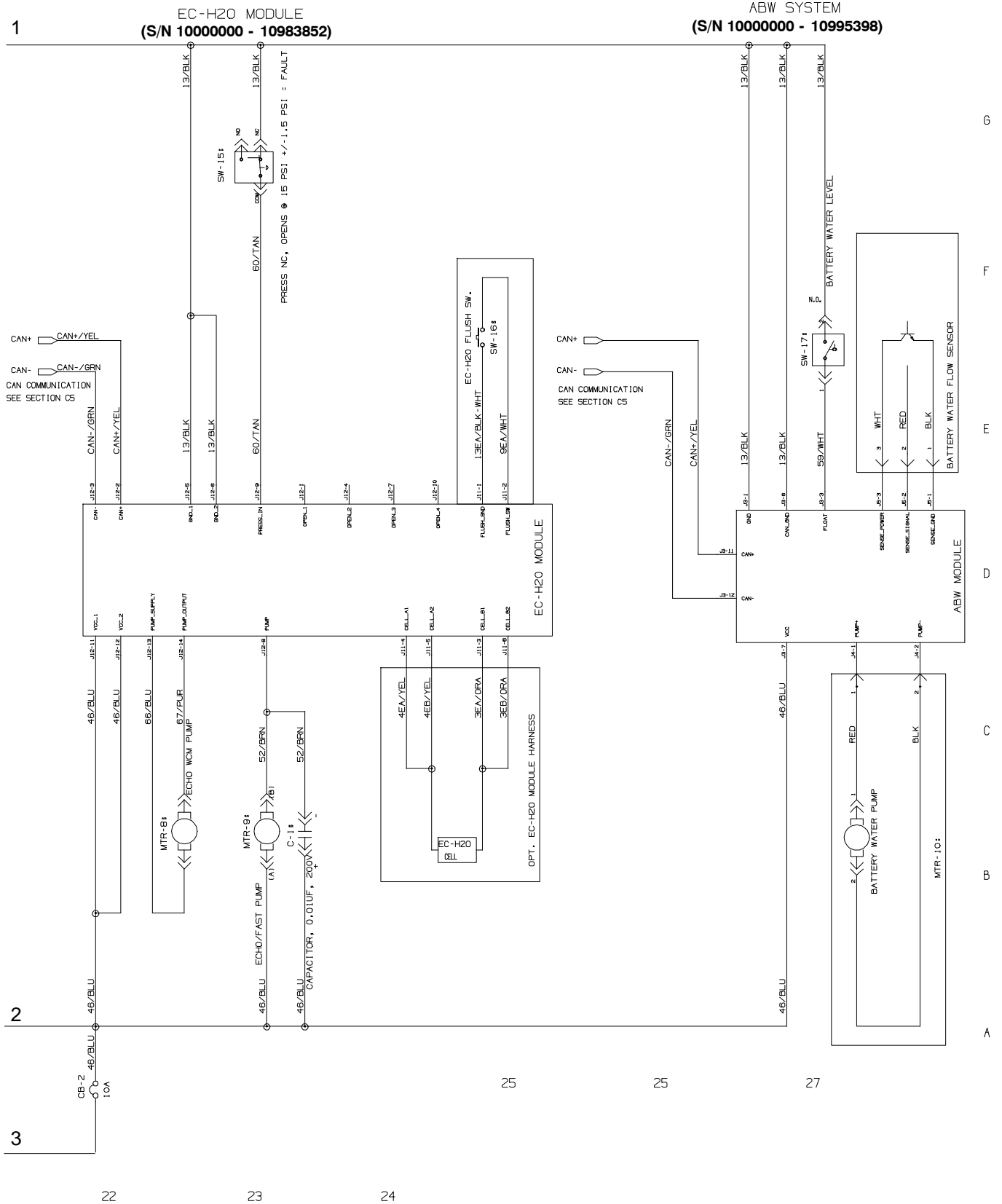
ELECTRICAL DIAGRAM (PAGE 3 OF 4)
(S/N 1000000 - 10995398)

1075014_00



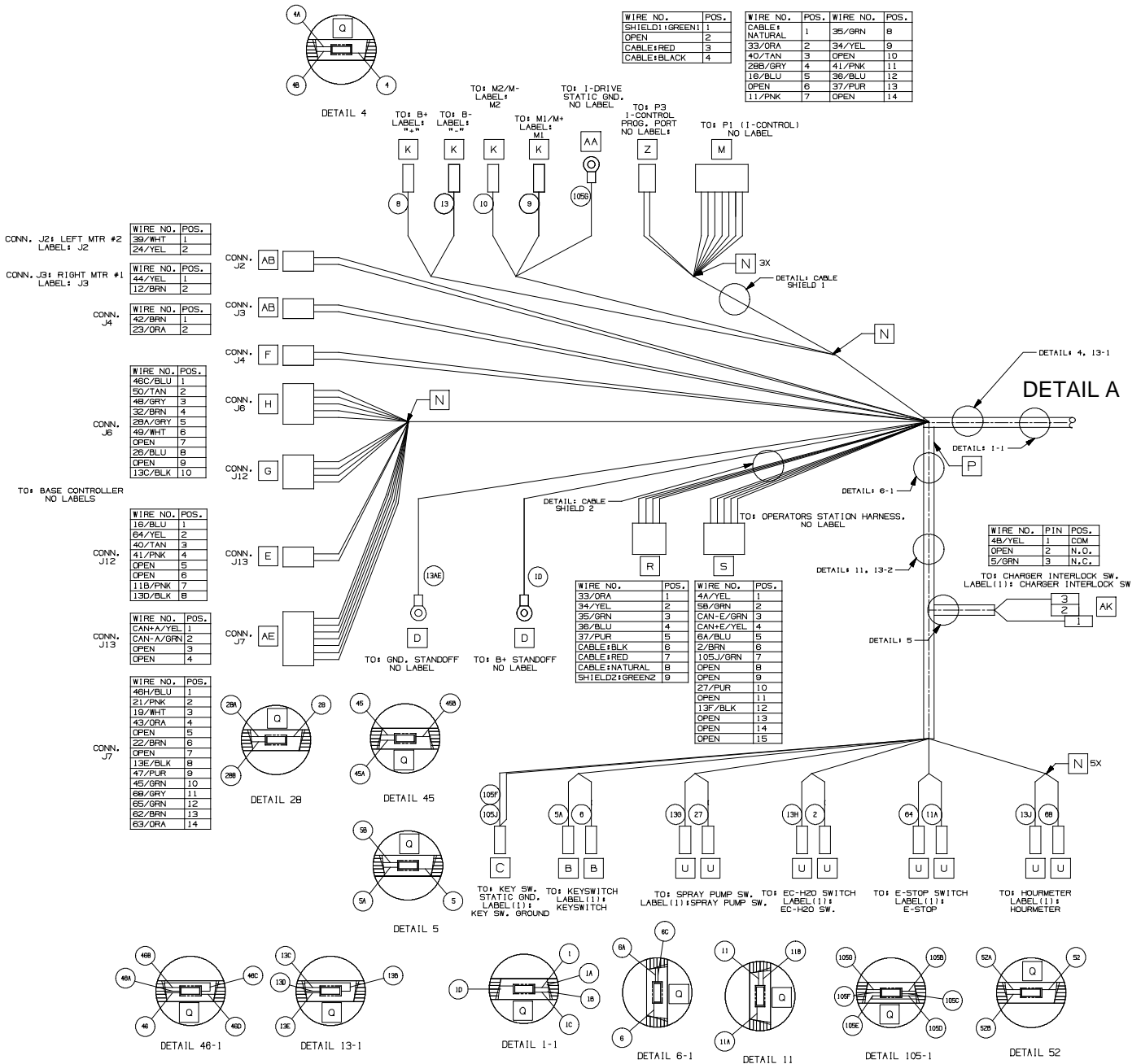
ELECTRICAL DIAGRAM (PAGE 4 OF 4)
(S/N 1000000 - 10995398)

1075014_00



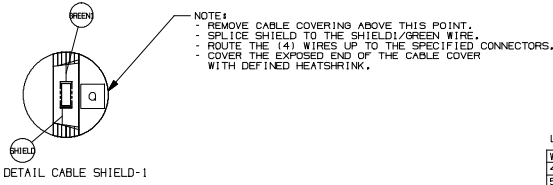
ELECTRICAL HARNESS, MAIN (PAGE 1 OF 4)
(S/N 10995399 -)

1076837_00



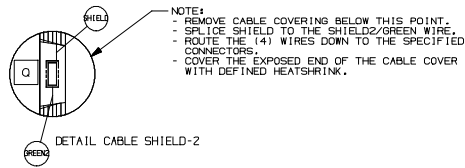
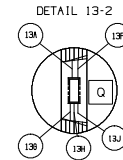
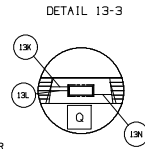
ELECTRICAL HARNESS, MAIN (PAGE 2 OF 4)
(S/N 10995399 -)

1076837_00



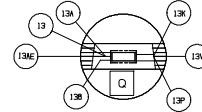
TO: EC-H2O CAPACITOR
LABEL: EC-H2O CAPACITOR

WIRE NO.	POSITION
46A/BLU	FEM+POSITIVE
52B/BRN	MALE+NEGATIVE



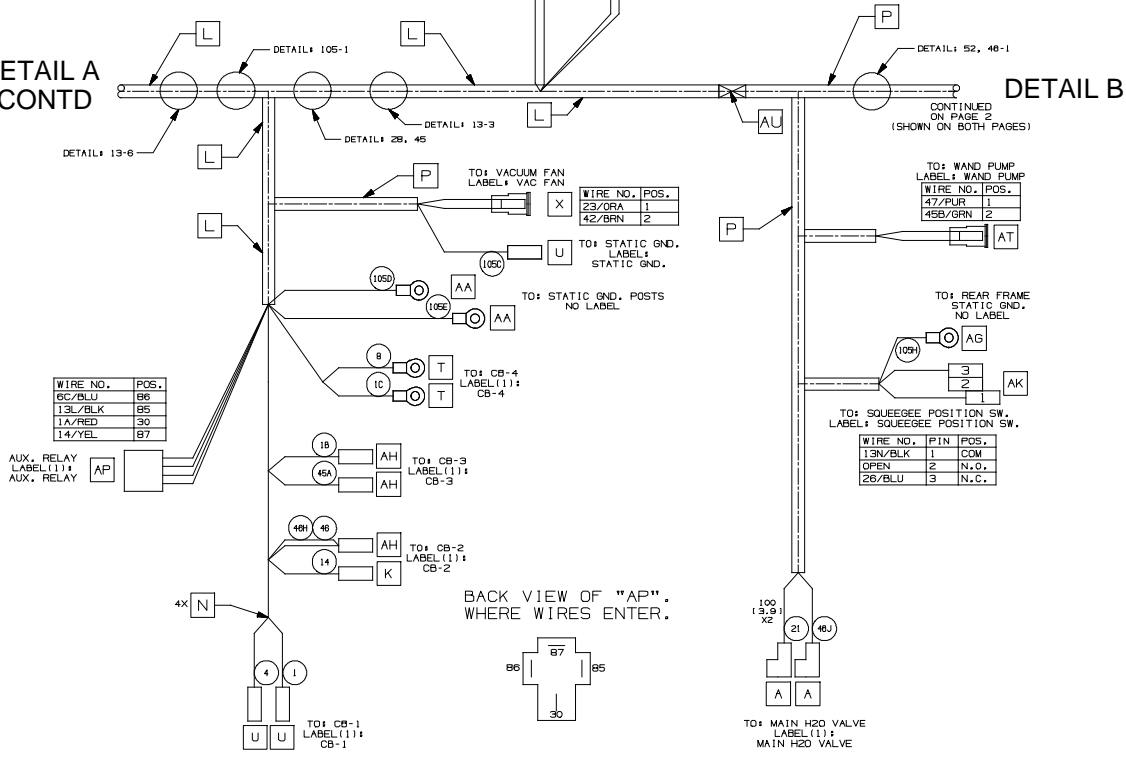
TO: EC-H2O PUMP
LABEL: EC-H2O PUMP

WIRE NO.	POS.
46B/BLU	1
52A/BRN	2



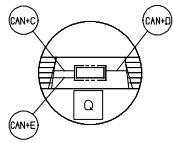
DETAIL A
- CONTD

DETAIL B

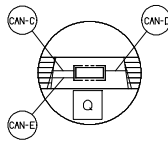


ELECTRICAL HARNESS, MAIN (PAGE 3 OF 4) (S/N 10995399 -)

1076837_00



DETAIL CAN3



DETAIL CAN4

WIRE NO.	POS.
39/WHT	A
24/YEL	B

TO: LEFT SCRUB MOTOR#2
LABEL: LEFT SCRUB
MOTOR #2
ALL SCRUB HEADS

AN

WIRE NO.	POS.
65/BRN	1
62/BRN	2
63/DRA	3
OPEN	4
22/BRN	5
46K/BLU	6

TO: DET. METERING
LABEL: DET. METERING

AF

CONTINUED
ON PAGE 2
(SHOWN ON BOTH PAGES)

DETAIL B
- CONTD

DETAIL: 105-2

BUTT THIS SECTION
OF TAPE UP TO BREAKOUT

DETAIL: 13-5

DETAIL: 46-2

DETAIL C

BUTT THIS SECTION
OF TAPE UP TO BREAKOUT

DETAIL: 13-4

DETAIL: CAN3, CAN4

DETAIL D

TO: STATIC GND.
NO LABEL

105 AG

TO: ABW PUMP POWER
LABEL(1):
ABW PUMP POWER

WIRE NO.	PIN
69/WHT	1
113/BLK-WHT	2

TO: ABW MODULE
LABEL(1):
ABW MODULE

WIRE NO.	PIN
13AC/BLK	1
OPEN	2
OPEN	3
13AD/BLK	4
59/WHT	5
13R/BLK	6
46E/BLU	7
OPEN	8
OPEN	9
OPEN	10
CAN-D/YEL	11
CAN-D/GRN	12

TO: ABW PRESS. SW.
LABEL(1):
ABW PRESS. SW.

WIRE NO.	PIN	POS.
59/WHT	1	CDM
OPEN	2	N.O.
13AB/BLK	3	N.C.

TO: STATIC GND.
NO LABEL.

105A

U

PROPEL MOTOR
LABEL(1): PROPEL MOTOR

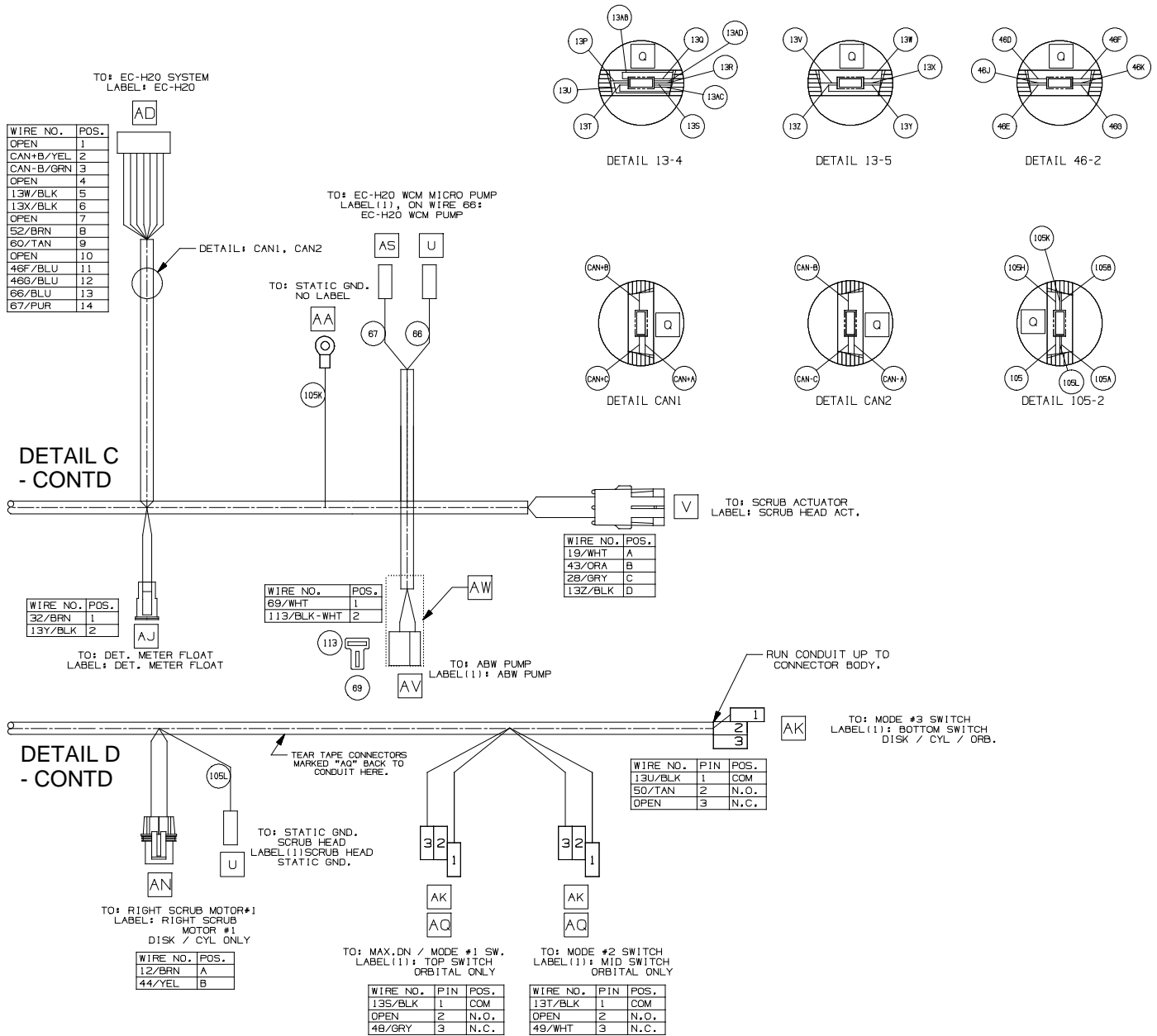
WIRE NO.	POS.
10/TAN	A
9/WHT	B

TO: ECH20 PRESS. SW.
LABEL(1):
ECH20 PRESS. SW.

WIRE NO.	PIN	POS.
13Q/BLK	1	CDM
OPEN	2	N.O.
60/TAN	3	N.C.

ELECTRICAL HARNESS, MAIN (PAGE 4 OF 4)
(S/N 10995399 -)

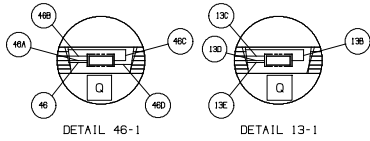
1076837_00



Part No.	Serial Number	Description	Qty.
1076837	(10995399- 2000000)	Harness, Main, Ele [T500]	1

ELECTRICAL HARNESS, MAIN (PAGE 1 OF 4)
(S/N 10000000 - 10995398)

1074829_01



WIRE NO.	POS.	WIRE NO.	POS.
SHIELD1:GREEN1	1	CABLE:NATURAL	1
OPEN	2	33/ORA	2
CABLE:RED	3	40/TAN	3
CABLE:BLACK	4	28B/GRY	4
		16/BLU	5
		OPEN	6
		11/PNK	7
		35/GRN	8
		34/YEL	9
		OPEN	10
		41/PNK	11
		36/BLU	12
		37/PUR	13
		OPEN	14

CONN. J2: LEFT MTR #2
LABEL: J2

WIRE NO.	POS.
39/WHT	1
24/YEL	2

CONN. J3: RIGHT MTR #1
LABEL: J3

WIRE NO.	POS.
44/YEL	1
12/BRN	2

CONN. J4

WIRE NO.	POS.
42/BRN	1
23/ORA	2

CONN. J6

WIRE NO.	POS.
46C/BLU	1
50/TAN	2
48/GRY	3
32/BRN	4
28A/GRY	5
49/WHT	6
OPEN	7
26/BLU	8
OPEN	9
13C/BLK	10

TO: BASE CONTROLLER
NO LABELS

CONN. J12

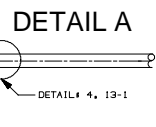
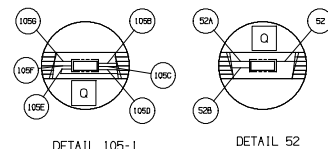
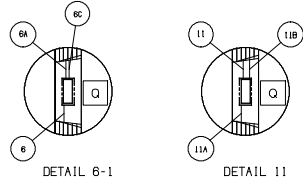
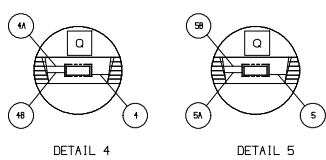
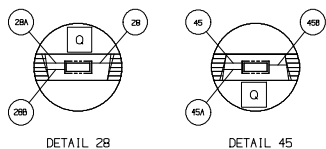
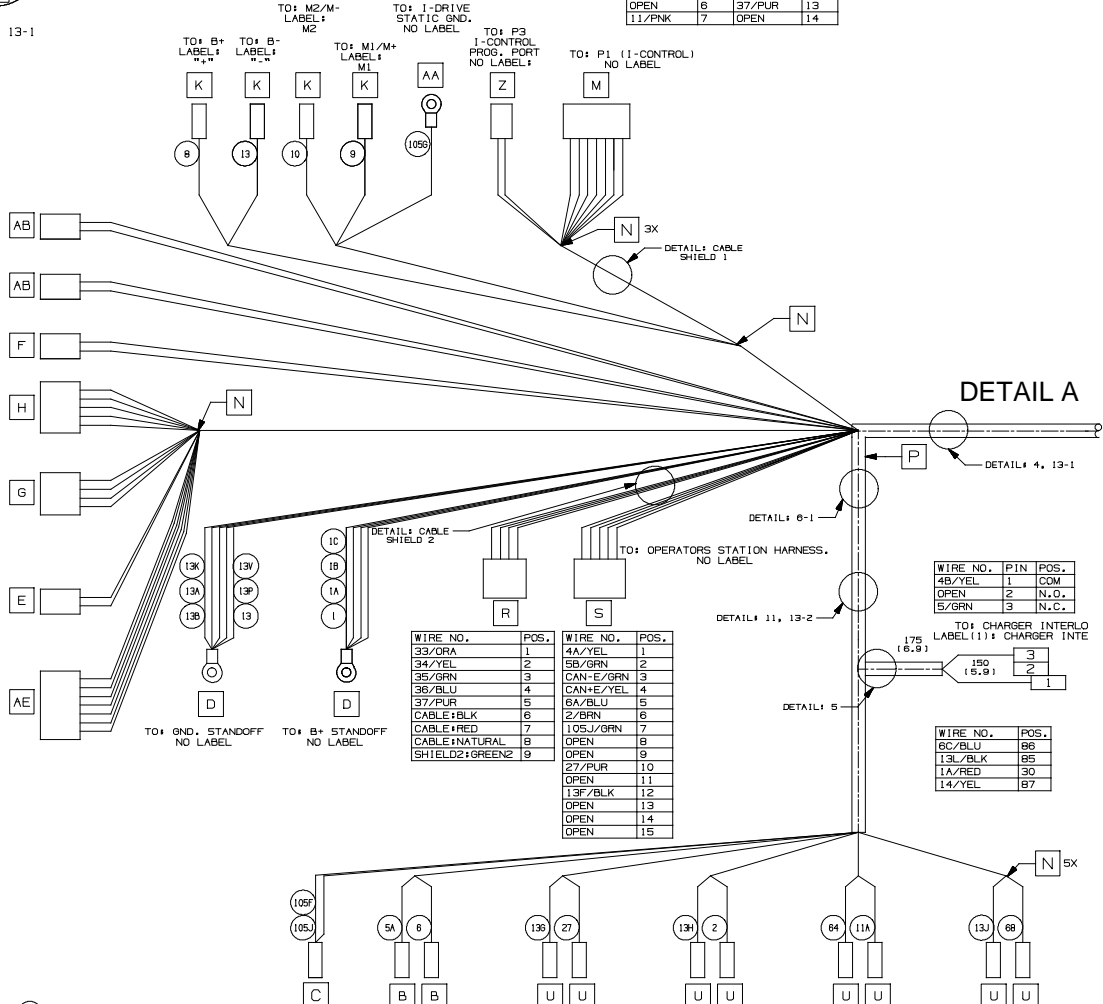
WIRE NO.	POS.
16/BLU	1
64/YEL	2
40/TAN	3
41/PNK	4
OPEN	5
OPEN	6
11B/PNK	7
13D/BLK	8

CONN. J13

WIRE NO.	POS.
CAN-A/YEL	1
CAN-A/GRN	2
OPEN	3
OPEN	4

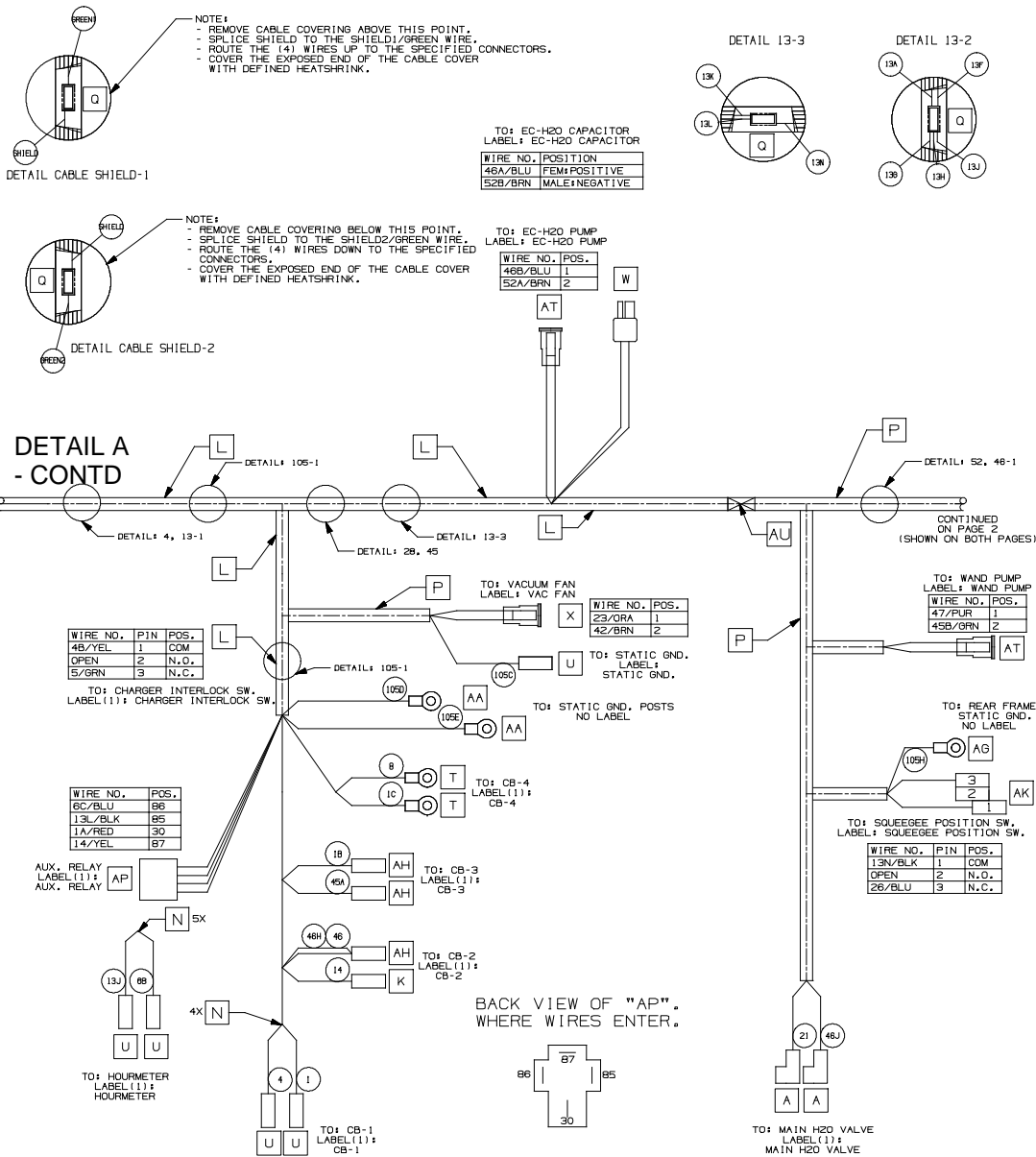
CONN. J7

WIRE NO.	POS.
46H/BLU	1
21/PNK	2
19/WHT	3
43/ORA	4
OPEN	5
22/BRN	6
OPEN	7
13E/BLK	8
47/PUR	9
45/GRN	10
68/GRY	11
65/GRN	12
62/BRN	13
63/ORA	14



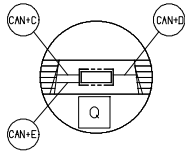
ELECTRICAL HARNESS, MAIN (PAGE 2 OF 4)
(S/N 1000000 - 10995398)

1074829_01

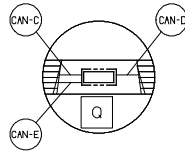


ELECTRICAL HARNESS, MAIN (PAGE 3 OF 4)
(S/N 10000000 - 10995398)

1074829_01



DETAIL CAN3



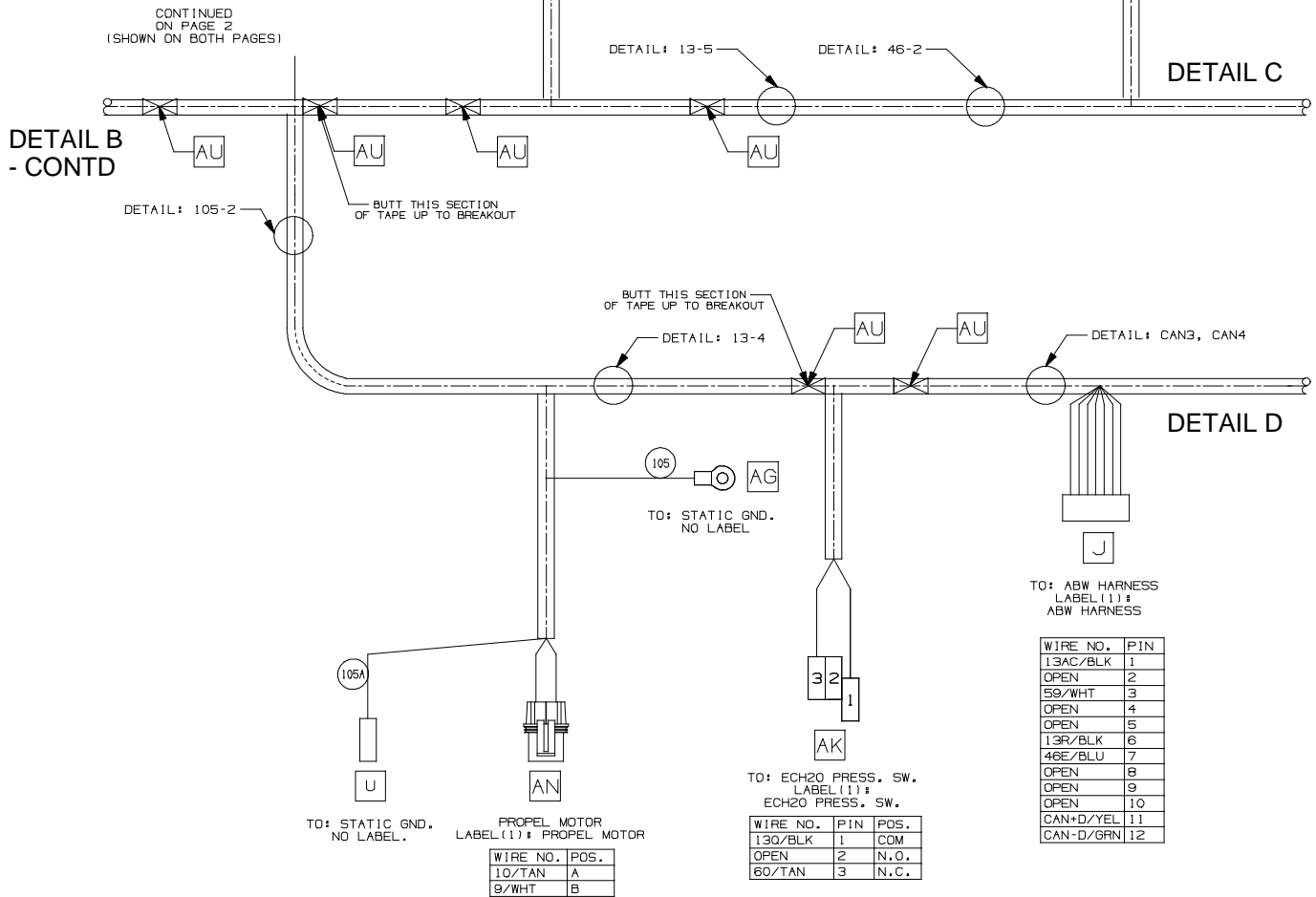
DETAIL CAN4

WIRE NO.	POS.
39/WHT	A
24/YEL	B

TO: LEFT SCRUB MOTOR#2
LABEL: LEFT SCRUB
MOTOR #2
ALL SCRUB HEADS

WIRE NO.	POS.
65/GRN	1
62/BRN	2
63/DRA	3
OPEN	4
22/BRN	5
46K/BLU	6

TO: DET. METERING
LABEL: DET. METERING



DETAIL B - CONTD

DETAIL C

DETAIL D

TO: STATIC GND. NO LABEL.

PROPEL MOTOR
LABEL(1): PROPEL MOTOR

WIRE NO.	POS.
10/TAN	A
9/WHT	B

TO: ECH20 PRESS. SW.
LABEL(1): ECH20 PRESS. SW.

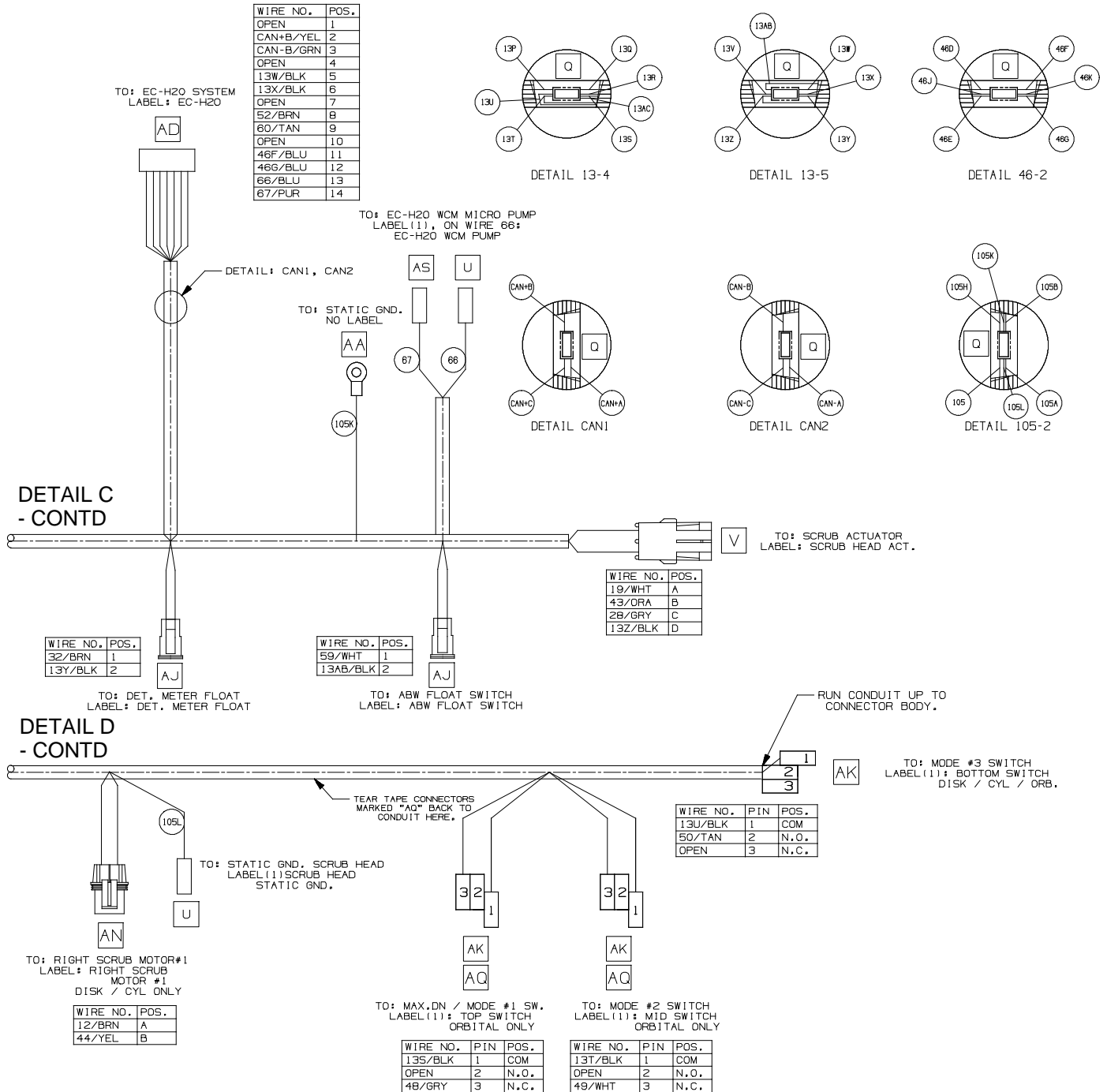
WIRE NO.	PIN	POS.
130/BLK	1	COM
OPEN	2	N.O.
60/TAN	3	N.C.

TO: ABW HARNESS
LABEL(1): ABW HARNESS

WIRE NO.	PIN
13AC/BLK	1
OPEN	2
59/WHT	3
OPEN	4
OPEN	5
13R/BLK	6
46E/BLU	7
OPEN	8
OPEN	9
OPEN	10
CAN+D/YEL	11
CAN-D/GRN	12

ELECTRICAL HARNESS, MAIN (PAGE 4 OF 4)
(S/N 10000000 - 10995398)

1074829_01



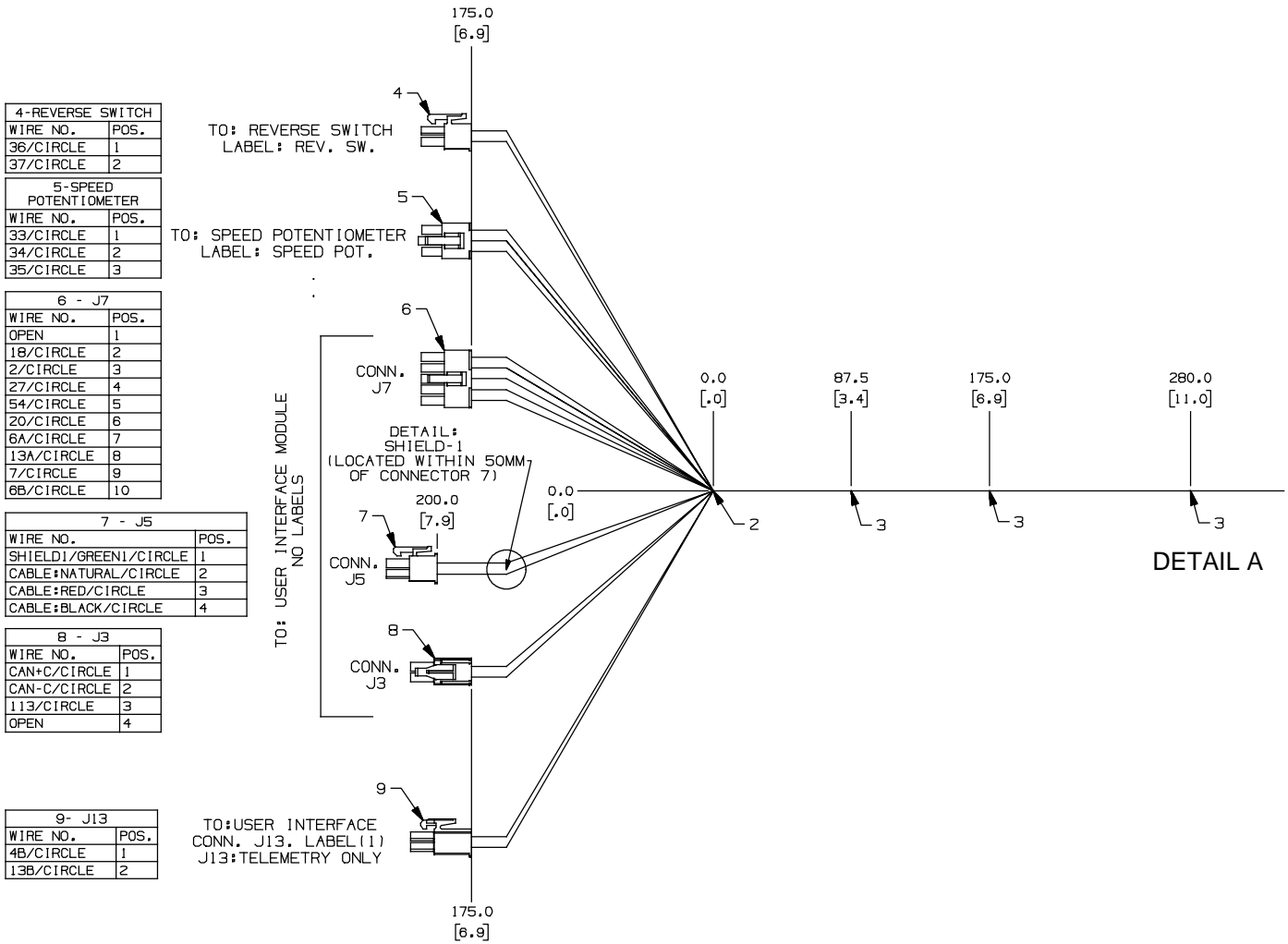
Part No.	Serial Number	Description	Qty.
▽ 1074829	(10000000- 10995398)	Harness, Main, Ele [T500]	1
▲ 222290	(10000000- 20000000)	Diode, Ele, Plug	3

▽ ASSEMBLY
 ▲ INCLUDED IN ASSEMBLY

STANDARD PARTS

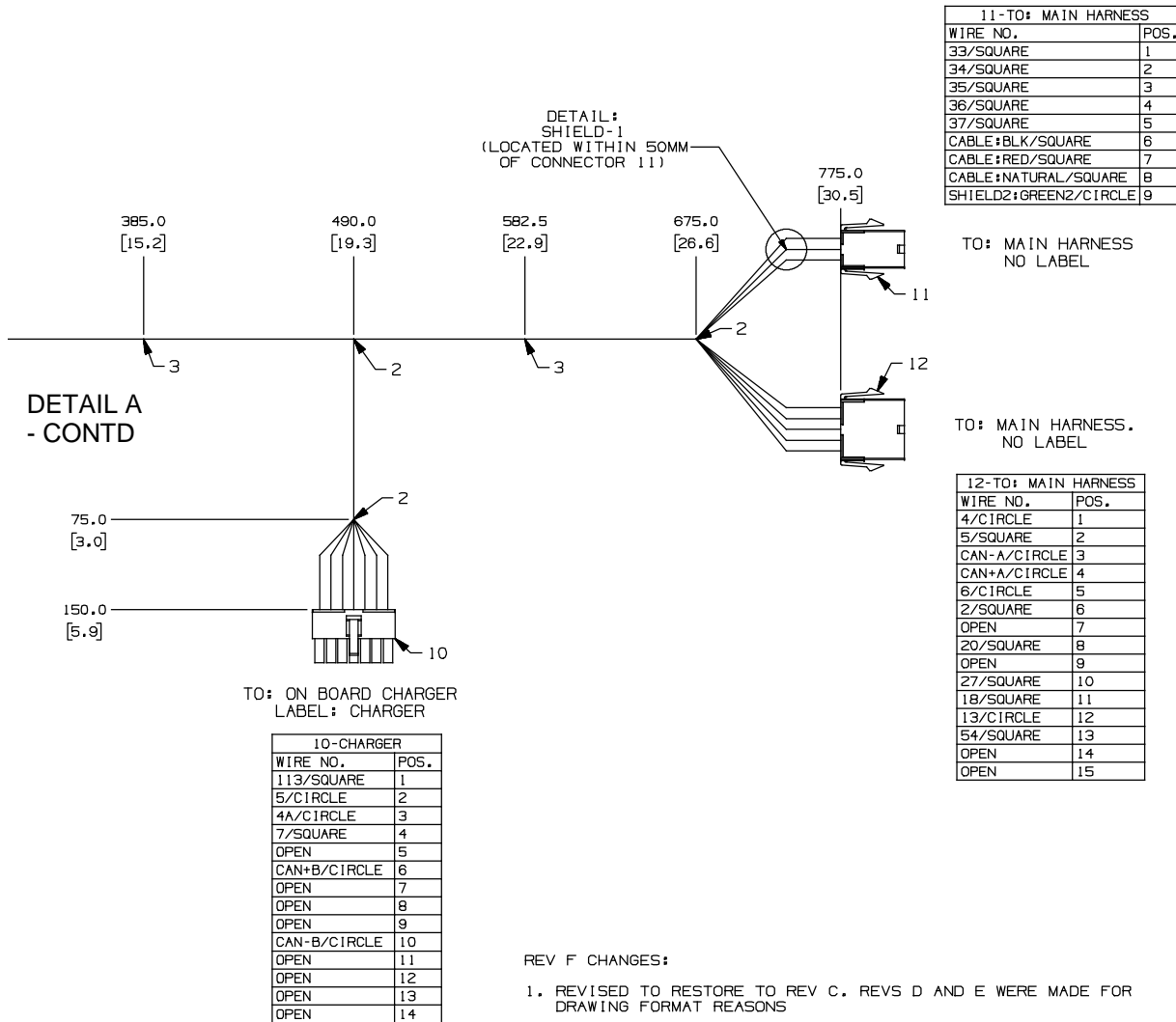
ELECTRICAL HARNESS, OPERATOR STATION (S/N 11062242 -)

1077060_0



ELECTRICAL HARNESS, OPERATOR STATION (S/N 11062242 -)

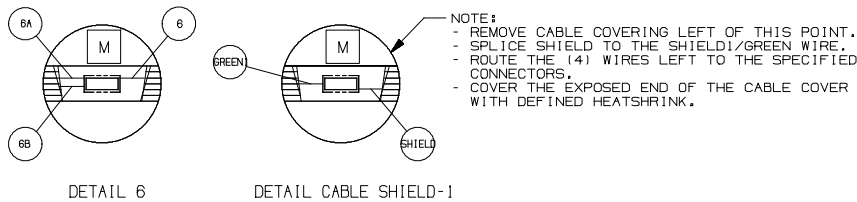
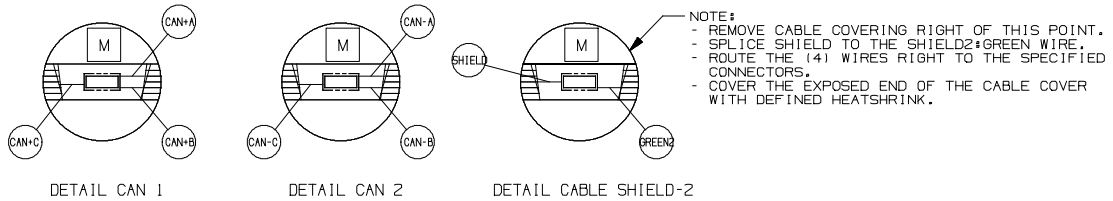
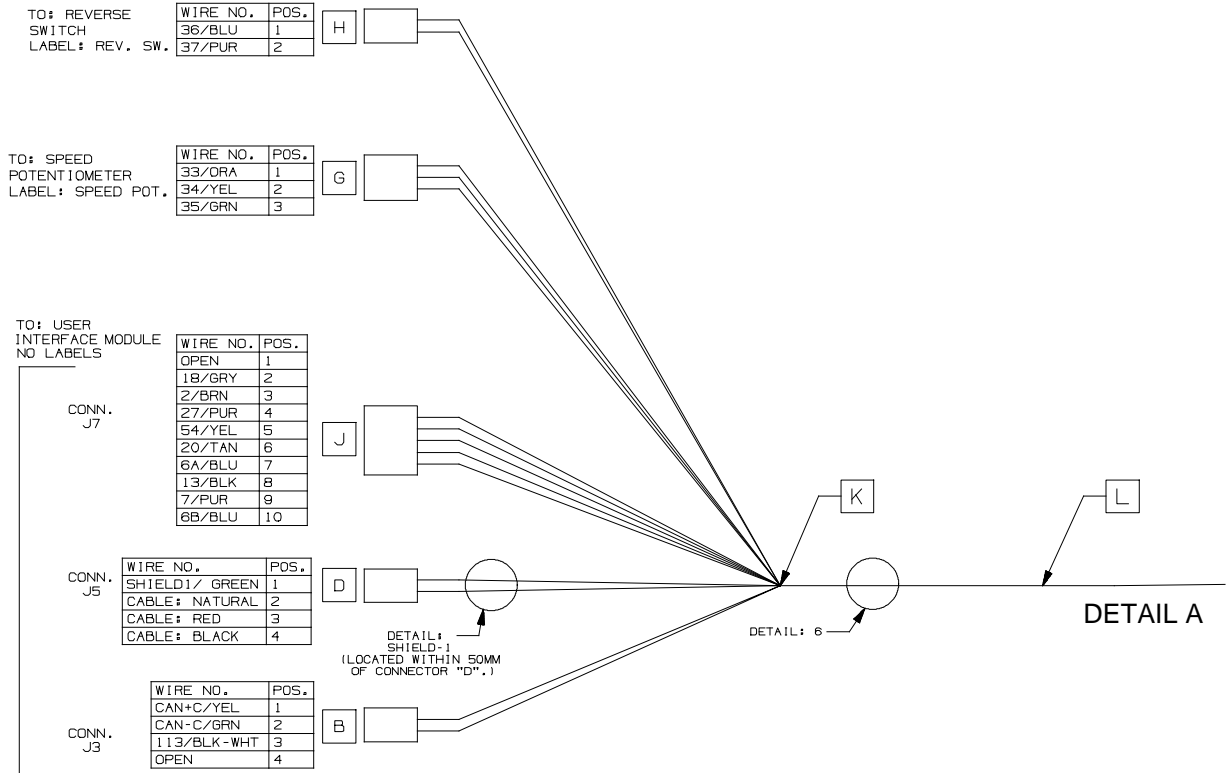
1077060_0



Part No.	Serial Number	Description	Qty.
1077060	(11062242- 20000000)	Harness, Ele [Op. Station, T500]	1

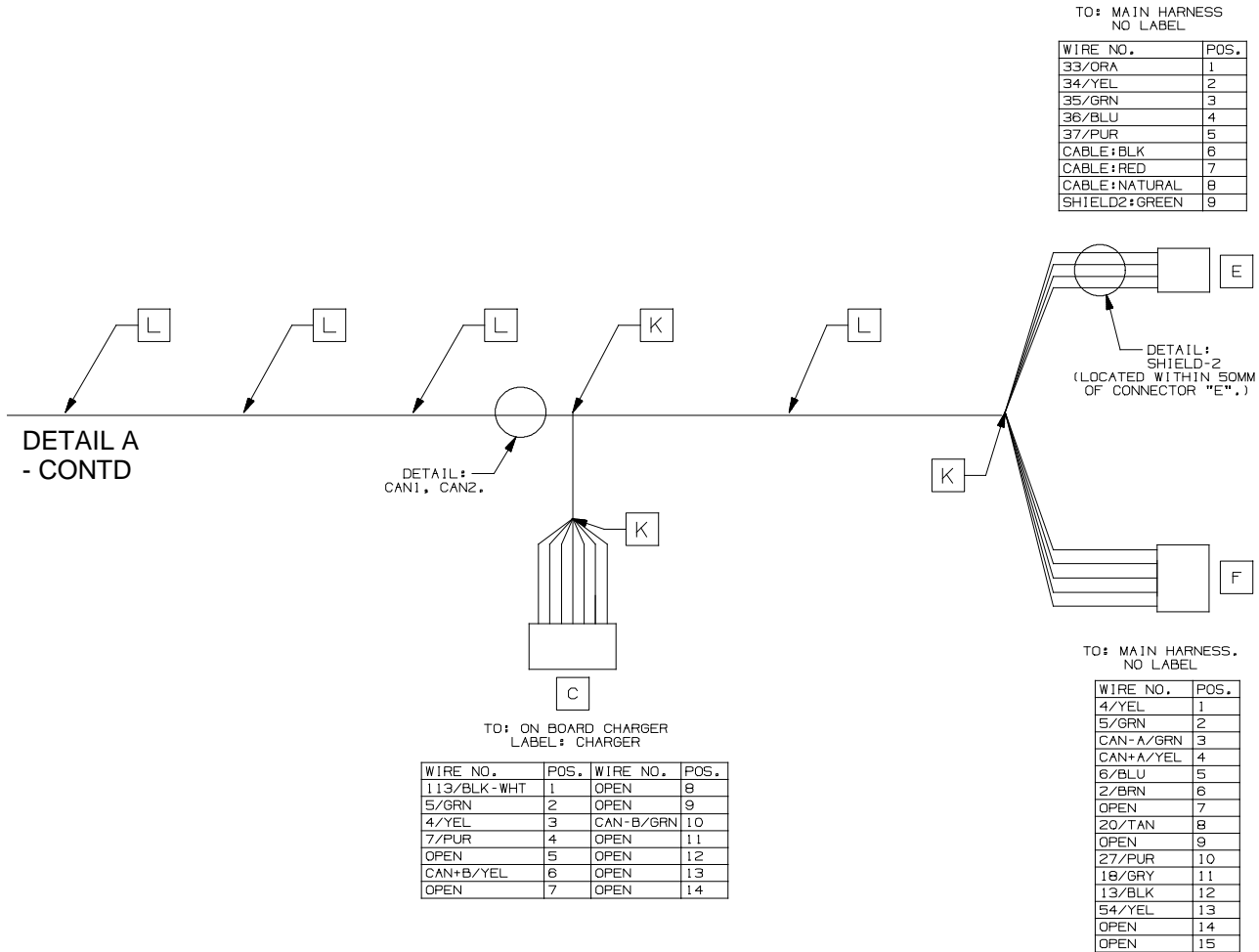
ELECTRICAL HARNESS, OPERATOR STATION (S/N 1000000 - 11062241)

1075035_A



ELECTRICAL HARNESS, OPERATOR STATION (S/N 1000000 - 11062241)

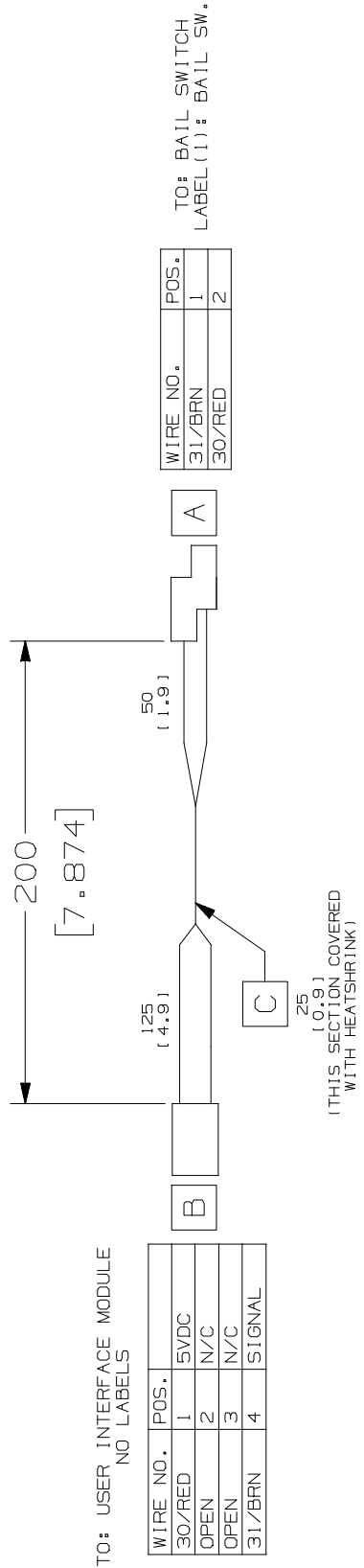
1075035_A



Part No.	Serial Number	Description	Qty.
1075035	(1000000- 11062241)	Harness, Ele [Op. Station, T500] (Replaced By 1077060)	1

ELECTRICAL HARNESS, BAIL SWITCH

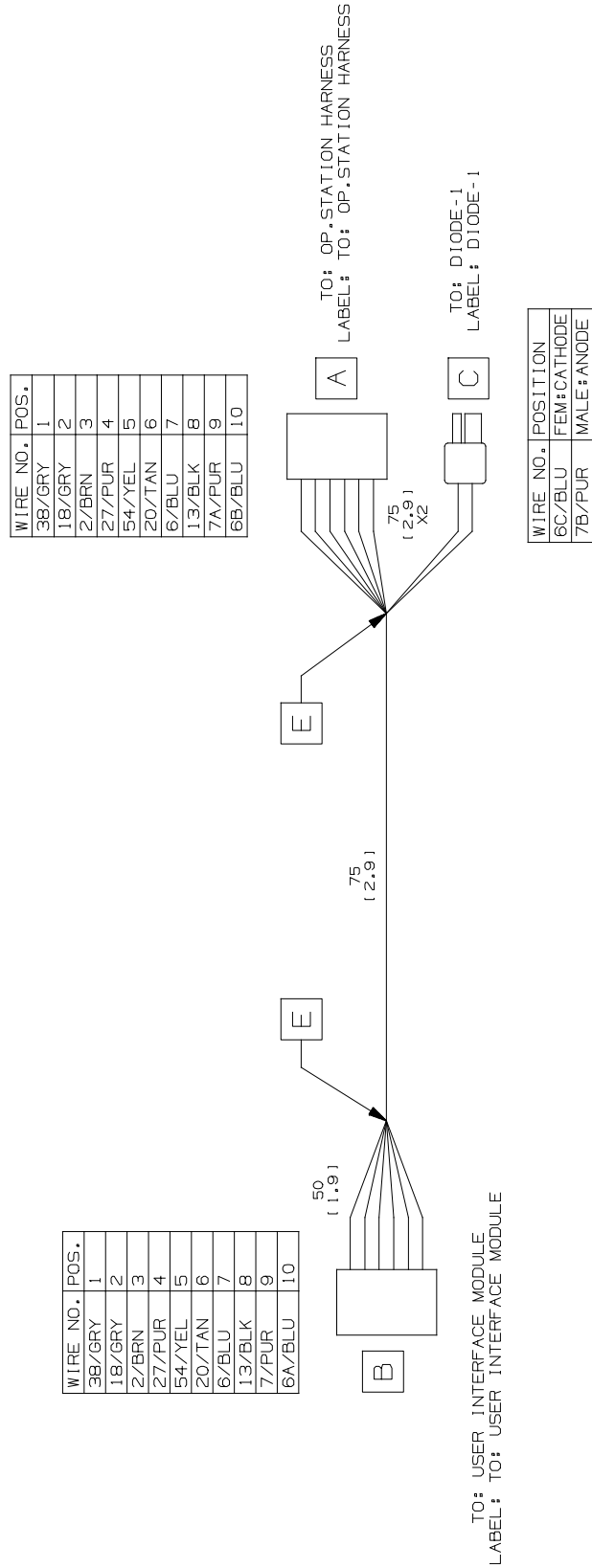
1072524_00



Part No.	Serial Number	Description	Qty.
1072524	(10000000-20000000)	Harness, Ele [Bail Switch]	1

ELECTRICAL HARNESS, ADAPTER (TELEMETRY MODELS)

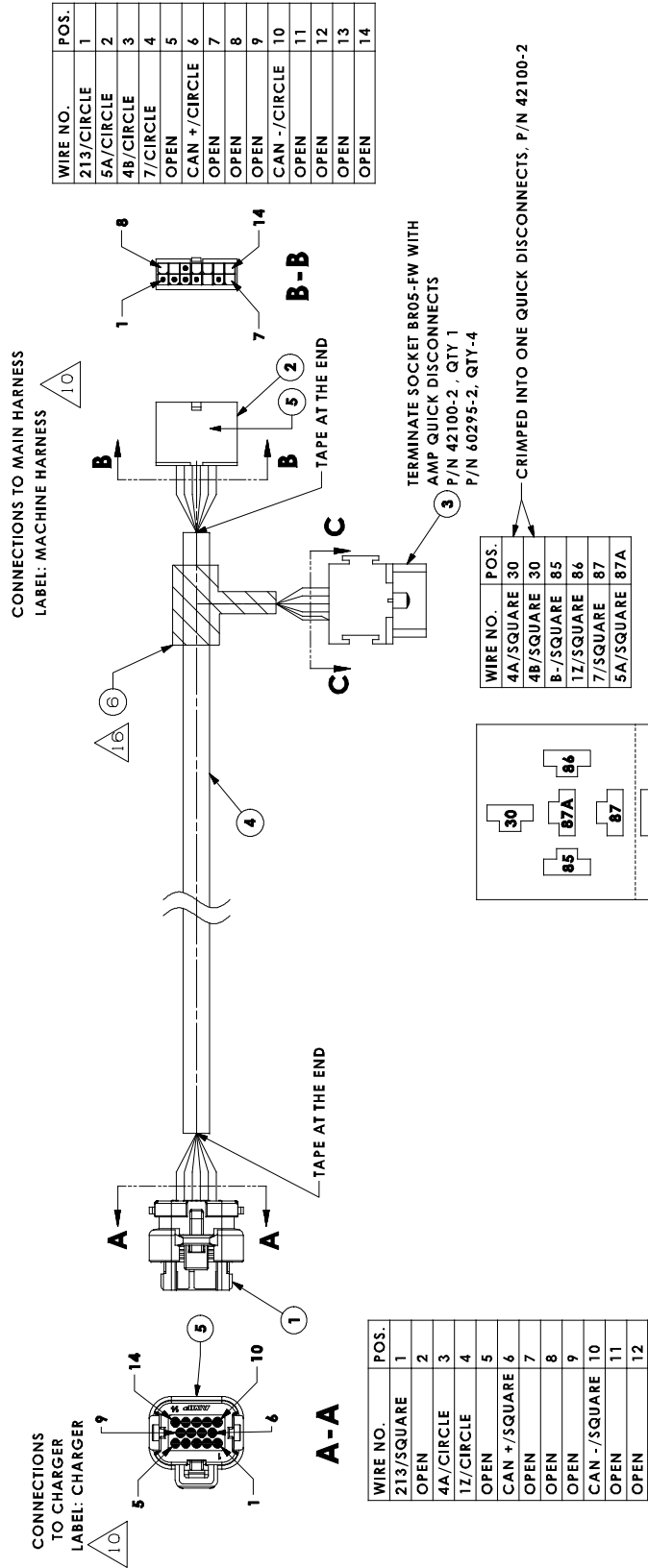
1075195



Part No.	Serial Number	Description	Qty.
1075195	(10000000- 20000000)	Harness, Ele, Adaptor [T300, Amii]	1
222290	(10000000- 20000000)	Diode, Ele, Plug	1

ELECTRICAL HARNESS, RELAY ADAPTER (TPPL BATTERY)

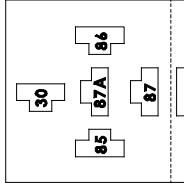
1076909_00



WIRE NO.	POS.
213/CIRCLE	1
5A/CIRCLE	2
4B/CIRCLE	3
7/CIRCLE	4
OPEN	5
CAN +/CIRCLE	6
OPEN	7
OPEN	8
OPEN	9
CAN -/CIRCLE	10
OPEN	11
OPEN	12
OPEN	13
OPEN	14

WIRE NO.	POS.
213/SQUARE	1
OPEN	2
4A/CIRCLE	3
1Z/CIRCLE	4
OPEN	5
CAN +/SQUARE	6
OPEN	7
OPEN	8
OPEN	9
CAN -/SQUARE	10
OPEN	11
OPEN	12
OPEN	13
B-/CIRCLE	14

WIRE NO.	POS.
4A/SQUARE	30
4B/SQUARE	30
B-/SQUARE	85
1Z/SQUARE	86
7/SQUARE	87
5A/SQUARE	87A



WIRE ID	GAUGE	COLOR	WIRE TYPE	CIRCLE TERMINAL		SQUARE TERMINAL	
				MANUFACTURER	P/N	MANUFACTURER	P/N
1Z	18	ORA	SEE NOTE 13	AMPSEAL	770854-1	AMP	60295-2
4A	20	YEL		AMPSEAL	770854-1	AMP	42100-2
4B	20	YEL		MOLEX	39000040	AMP	60295-2
5A	20	GRN		MOLEX	39000040	AMP	60295-2
7	20	PUR		MOLEX	39000040	AMP	60295-2
213	18	BLK-WHT		MOLEX	39000040	AMPSEAL	770854-1
CAN +	20	YEL		MOLEX	39000040	AMPSEAL	770854-1
CAN -	20	GRN	MOLEX	39000040	AMPSEAL	770854-1	
B-	18	BLK		AMPSEAL	770854-1	AMP	60295-2

Part No.	Serial Number	Description	Qty.
1076909	(10995399-2000000)	Harness, Ele, Adapter, Relay	1

1266968

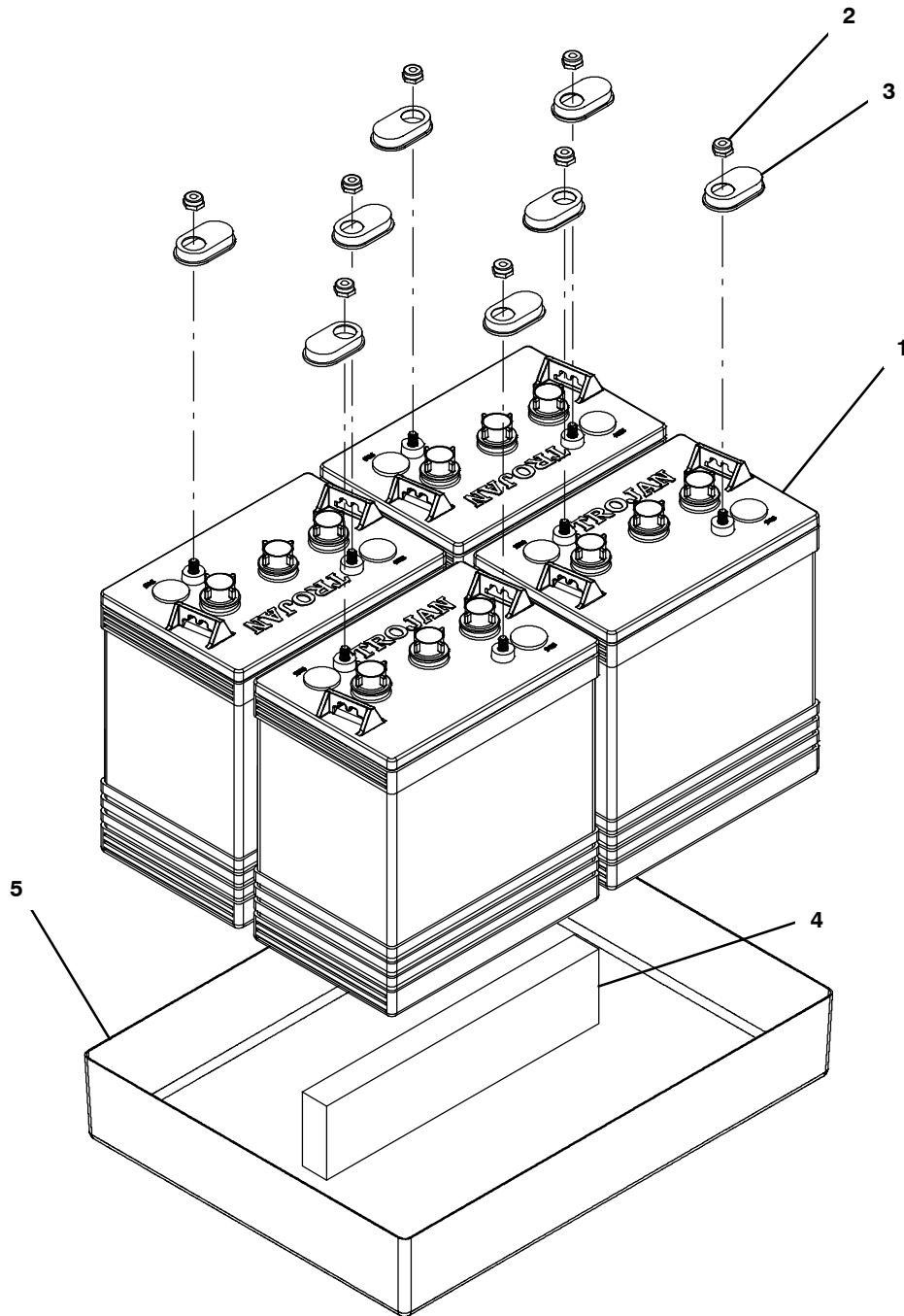
ELECTRICAL HARNESS, BATTERY TO UI (LITHIUM-ION BATTERY)



Part No.	Serial Number	Description	Qty.
9022783	(1000000-2000000)	Harness, Replmt [Battery To U]	1

BATTERY GROUP, WET 225AH

355452



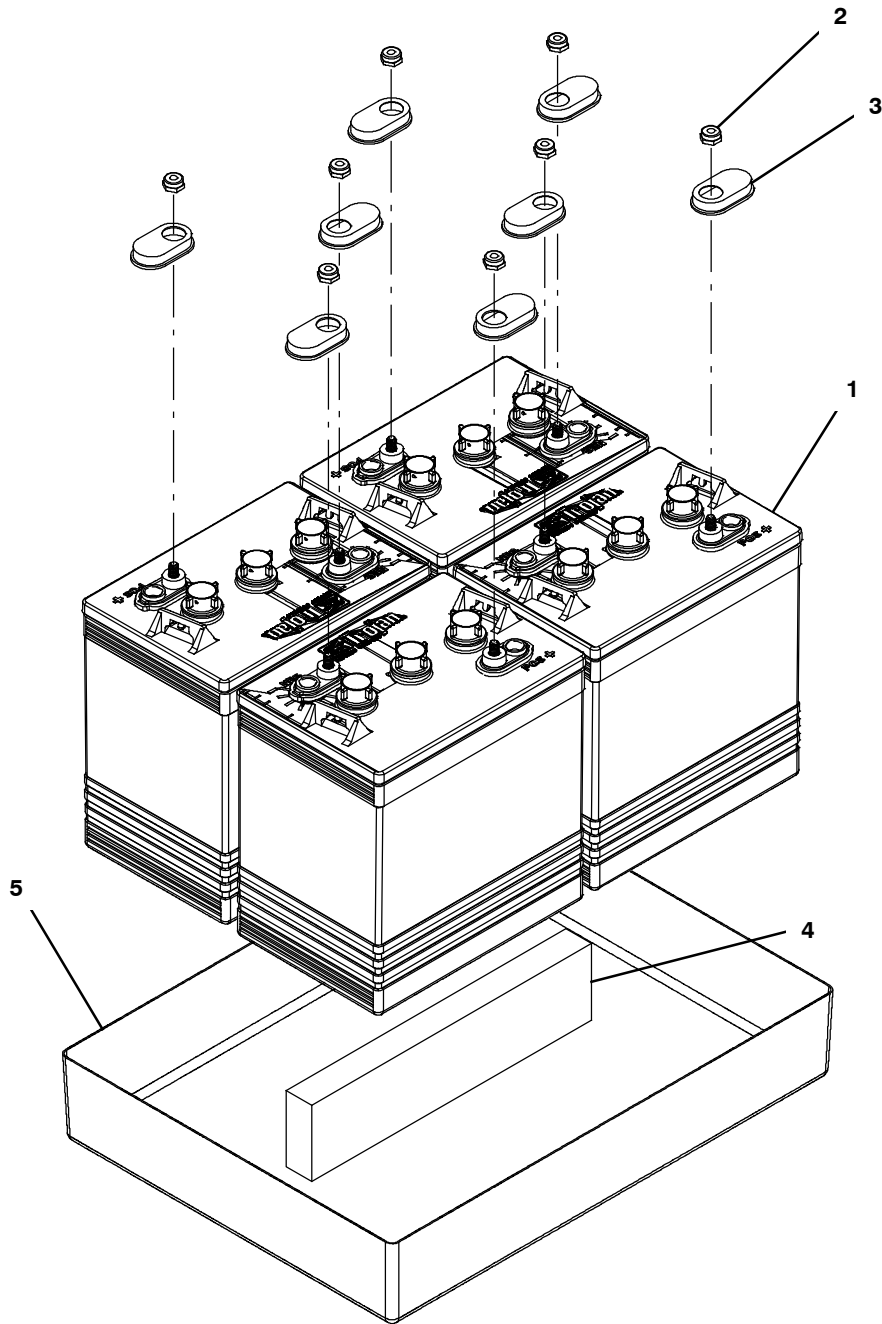
Ref.	Part No.	Serial Number	Description	Qty.
▽	1	10155	(10000000- 20000000) Battery, Wet, 06vdc	4
▲	2	87435	(10000000- 20000000) Nut, Hex, Flexlock, .31- 18	2
	3	1041030	(10000000- 20000000) Cap, Battery, Black [For 155ah]	8
	4	630375	(10000000- 20000000) Spacer, Battery, Foam, 1.25 X 3.3 X 13.7	1
	5	1222318	(10000000- 20000000) Tray, Battery, Trimmed [T500, Thick]	1

▽ ASSEMBLY

▲ INCLUDED IN ASSEMBLY

BATTERY GROUP, WET 260AH

355448



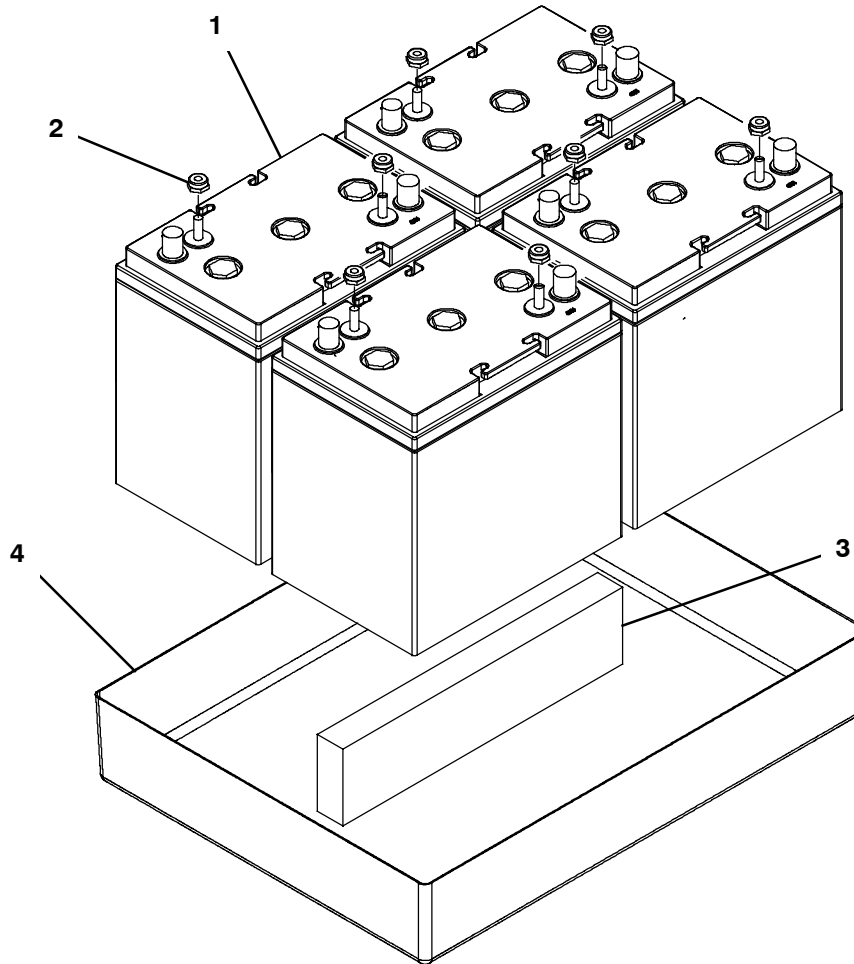
	Ref.	Part No.	Serial Number	Description	Qty.
▽	1	390825	(10000000-20000000)	Battery, Wet, 06vdc 0244ah	4
▲	2	87435	(10000000-20000000)	Nut, Hex, Flexlock, .31- 18	2
▲	3	1041030	(10000000-20000000)	Cap, Battery, Black [For 155ah]	2
	4	630375	(10000000-20000000)	Spacer, Battery, Foam, 1.25 X 3.3 X 13.7	1
	5	1222318	(10000000-20000000)	Tray, Battery, Trimmed [T500, Thick]	1

▽ ASSEMBLY

▲ INCLUDED IN ASSEMBLY

BATTERY GROUP, AGM 210AH

355450



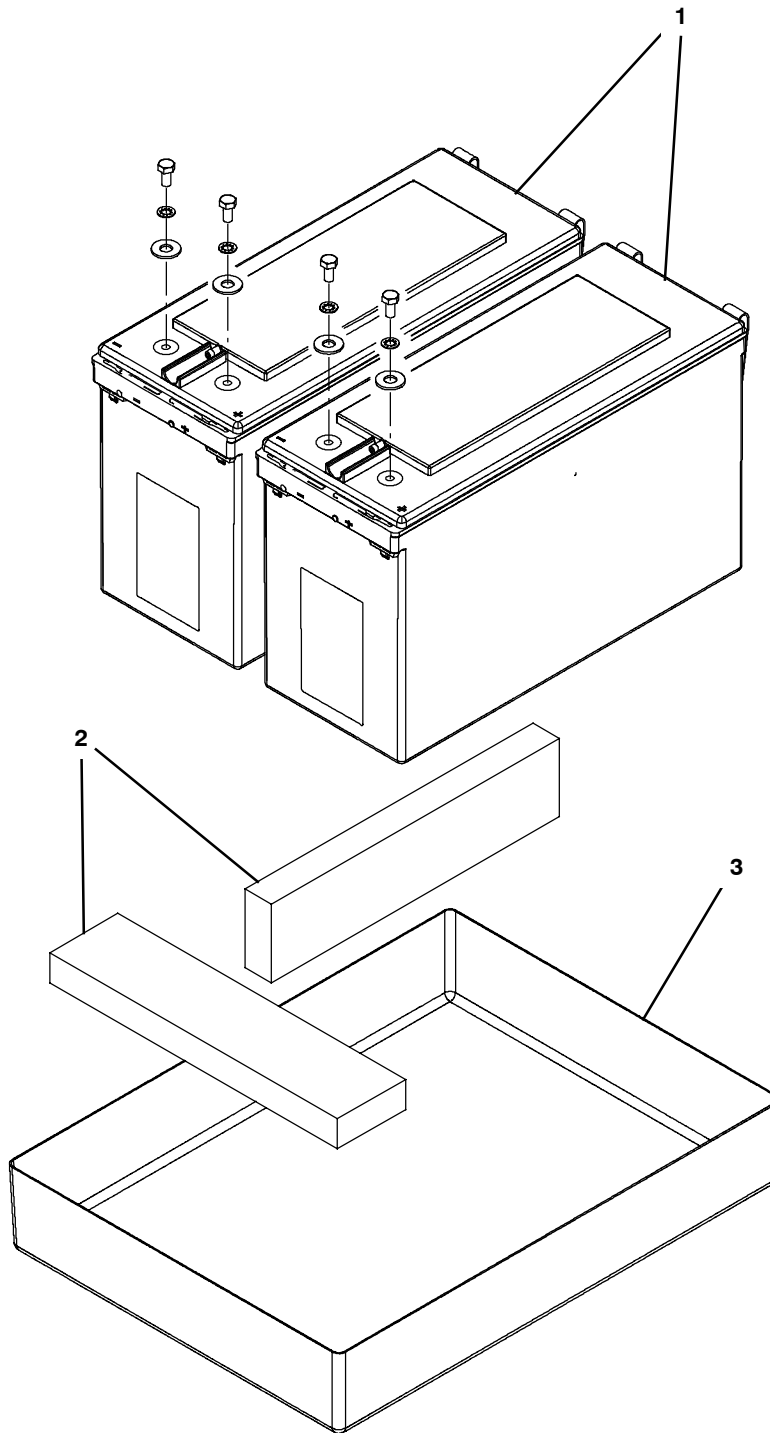
	Ref.	Part No.	Serial Number	Description	Qty.
▽	1	1262245	(10000000- 20000000)	Battery, Agm, 06vdc 0210ah	4
▲	2	87435	(10000000- 20000000)	Nut, Hex, Flexlock, .31- 18	2
	3	630375	(10000000- 20000000)	Spacer, Battery, Foam, 1.25 X 3.3 X 13.7	1
	4	1222318	(10000000- 20000000)	Tray, Battery, Trimmed [T500, Thick]	1

▽ ASSEMBLY

▲ INCLUDED IN ASSEMBLY

BATTERY GROUP, TPPL 183AH C/20

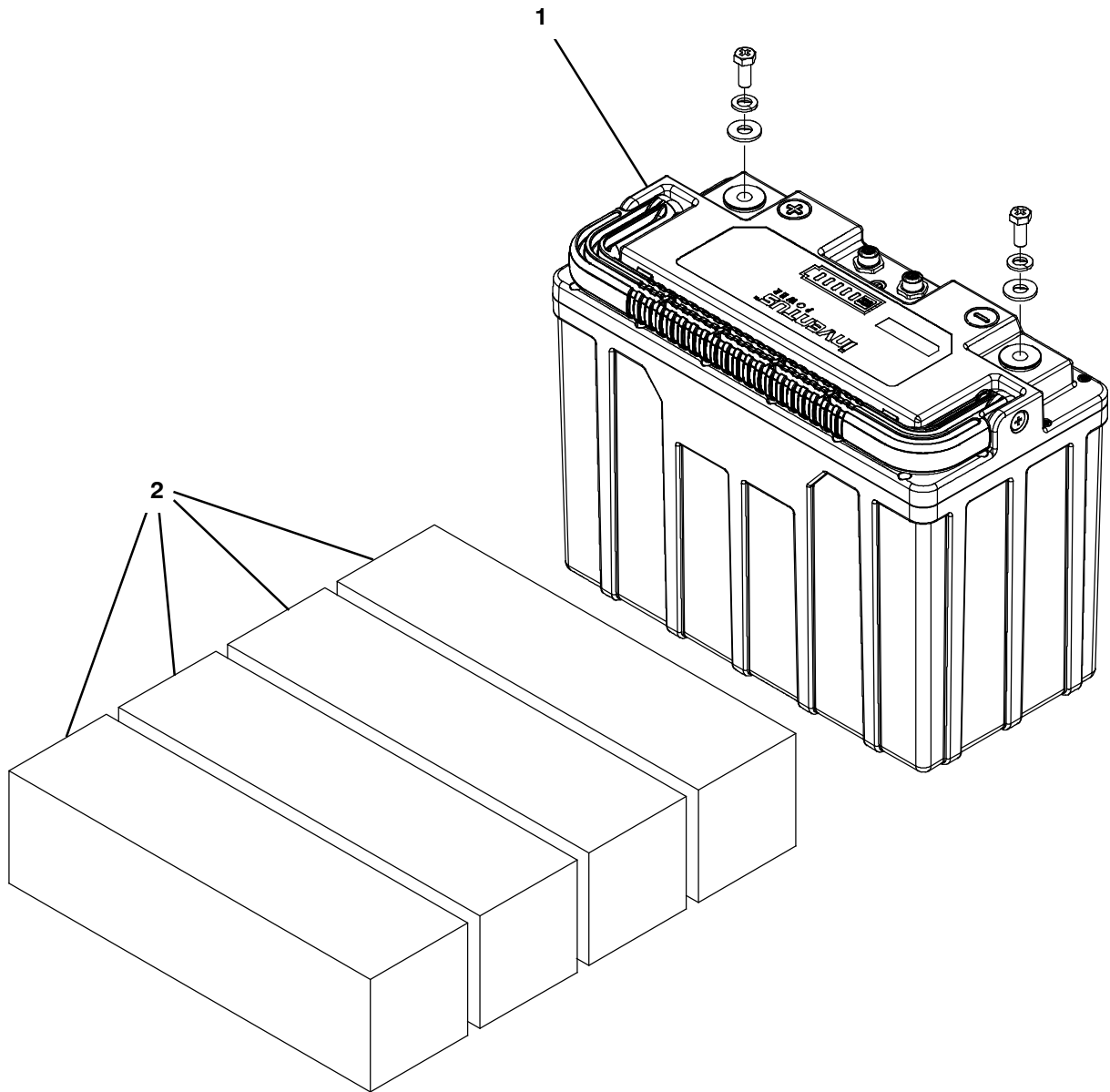
355804



Ref.	Part No.	Serial Number	Description	Qty.
1	1254199	(10000000- 20000000)	Battery, Ttpl, 12vdc, 182ah [C/20]	2
2	630375	(10000000- 20000000)	Spacer, Battery, Foam, 1.25 X 3.3 X 13.7	2
3	1222318	(10000000- 20000000)	Tray, Battery, Trimmed [T500, Thick]	1

BATTERY GROUP, 90AH 125 BAUD LITHIUM-ION (1 Battery System)

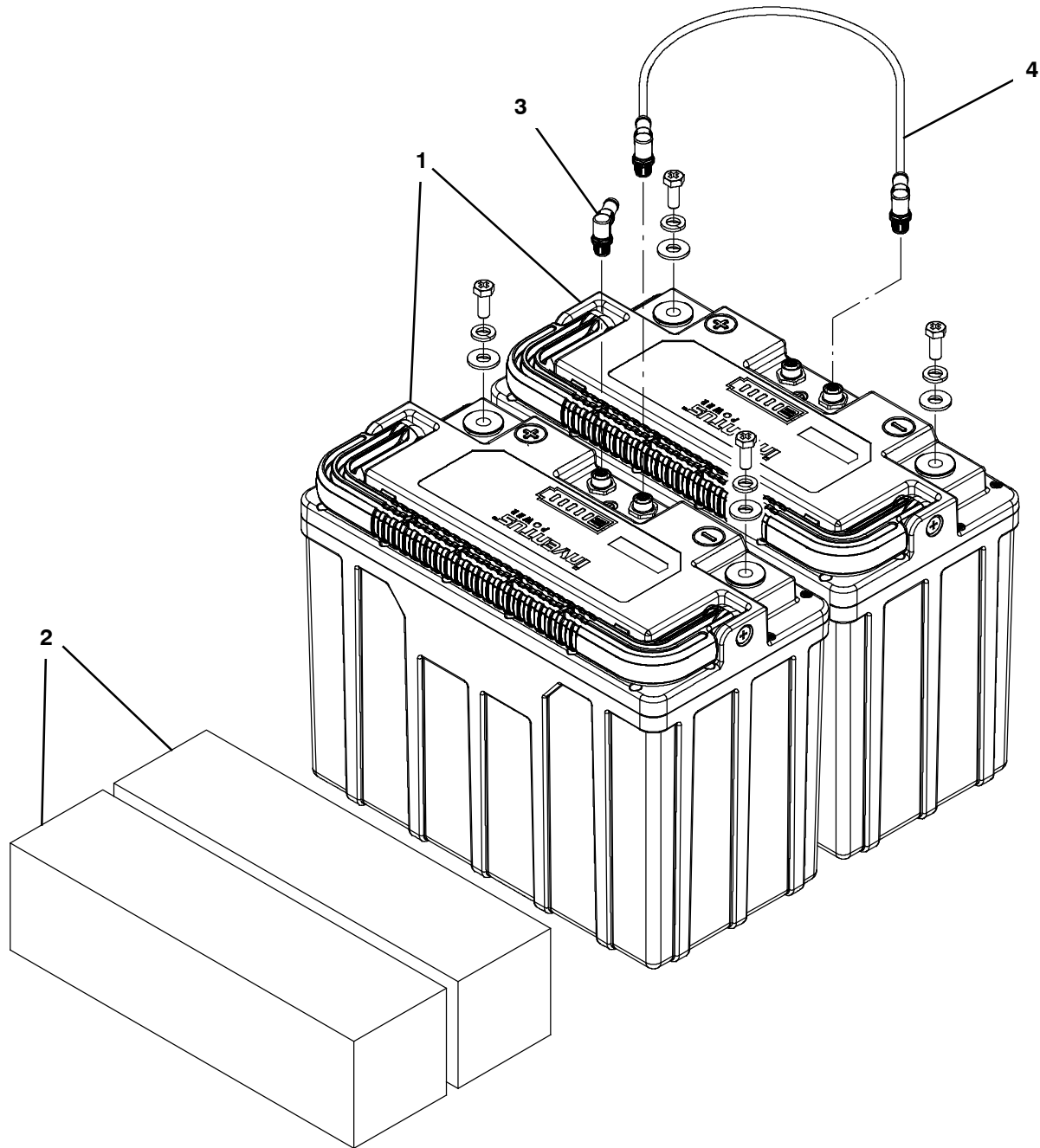
355963



Ref.	Part No.	Serial Number	Description	Qty.
1	9022779	(10000000- 20000000)	Battery, Replmt, Li- Ion, 24v [T300/T500]	1
2	1243753	(10000000- 20000000)	Spacer, Battery, Foam, 3.5 X 3.5 X 13.0	4

BATTERY GROUP, 90AH 125 BAUD LITHIUM-ION (2 Battery System)

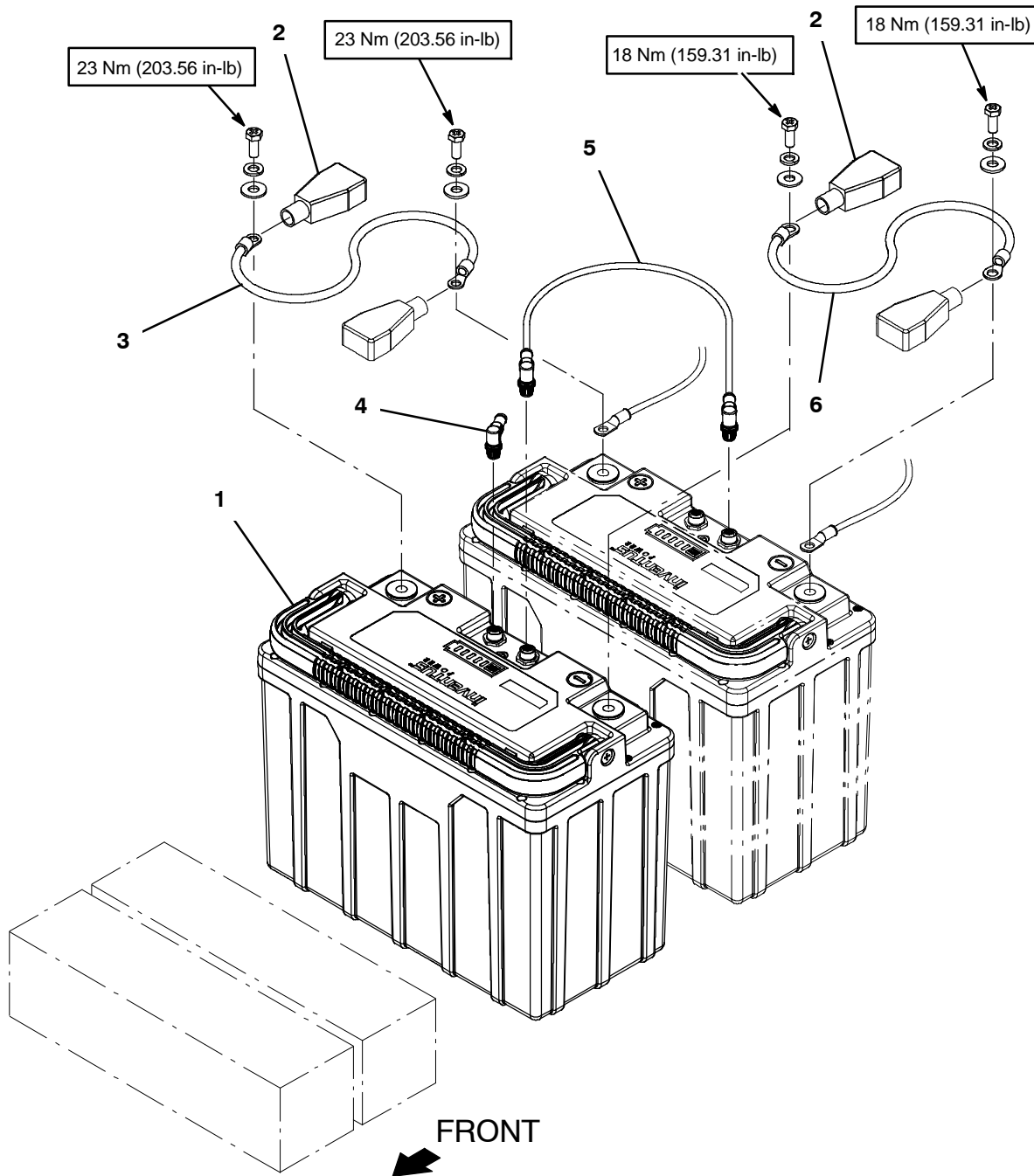
355964



Ref.	Part No.	Serial Number	Description	Qty.
1	9022779	(10000000-20000000)	Battery, Replmt, Li- Ion, 24v [T300/T500]	2
2	1243753	(10000000-20000000)	Spacer, Battery, Foam, 3.5 X 3.5 X 13.0	2
3	9022781	(10000000-20000000)	Resistor, Plug, Replmt	1
4	1077084	(10000000-20000000)	Cable Assy, 8 Pos, Male To Male, 19.7l	1

EXTENSION KIT, LITHIUM-ION BATTERY (1 Battery to 2 Battery System)

355953



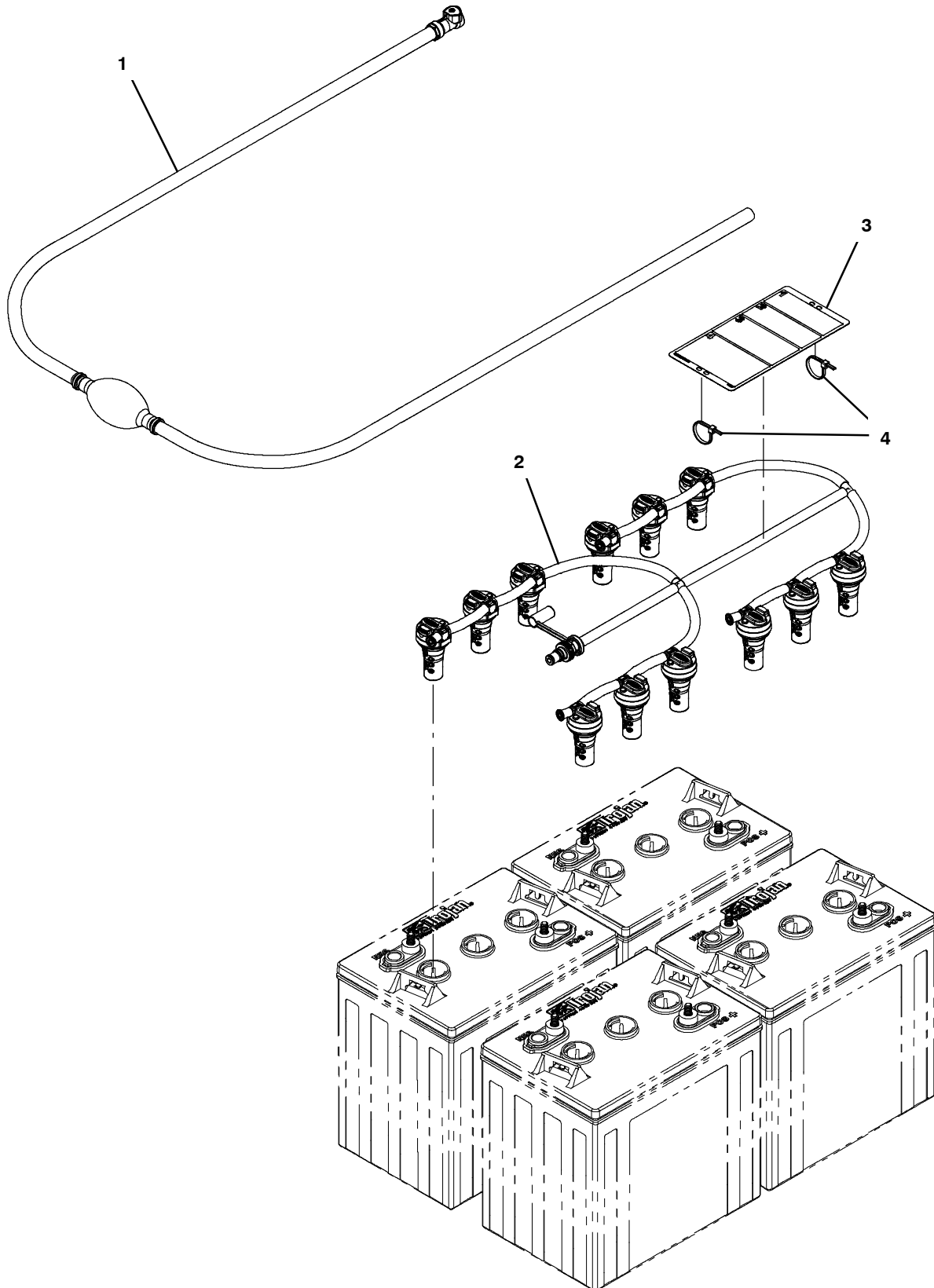
Ref.	Part No.	Serial Number	Description	Qty.
▽	9022780	(10000000- 20000000)	Battery Kit, Li- Ion,24v,Extn [T300/T500]	1
▲	1 9022779	(10000000- 20000000)	Battery, Replmt, Li- Ion, 24v [T300/T500]	1
▲	2 68872	(10000000- 20000000)	Boot, Terminal, Battery, 02- 01ga, Blk	2
▲	3 1077083	(10000000- 20000000)	Cable, 04ga 18.0l Red .41ring /.41ring	1
▲	4 9022781	(10000000- 20000000)	Resistor, Plug, Replmt	1
▲	5 1077084	(10000000- 20000000)	Cable Assy, 8 Pos, Male To Male, 19.7l	1
▲	6 223364	(10000000- 20000000)	Cable, 04ga 18.0l Blk .34ring /.34ring	1

▽ ASSEMBLY

▲ INCLUDED IN ASSEMBLY

MANUAL BATTERY WATERING SYSTEM

355801



MANUAL BATTERY WATERING SYSTEM

	Ref.	Part No.	Serial Number	Description	Qty.
▽		9021123*	(10995399- 20000000)	Fill Kit, Battery, manual, Ci [Trojan]	1
▲	1	1236295	(10995399- 20000000)	Pump, Hand, Battery	1
▲	2	9021081	(10995399- 20000000)	Manifold Kit, Water, 4 Btry [Trojan]	1
▲	3	1253250	(10995399- 20000000)	Label, Tag, Battery [Bwt Watering]	1
▲	4	130773	(10000000- 20000000)	Tie, Cable, Nyl, 11.0l, .14w, 3.0 Max. D	2

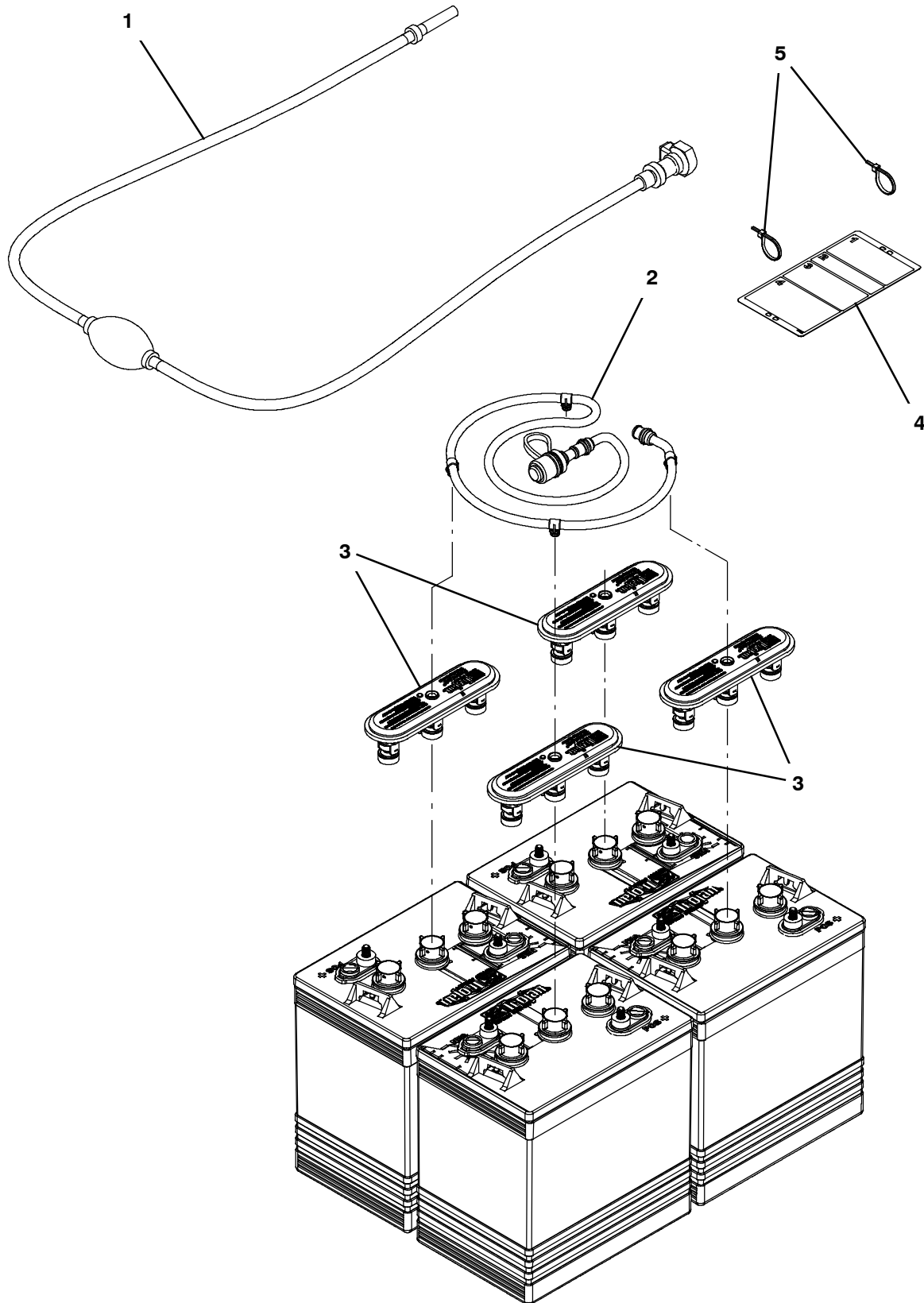
*THIS KIT IS INTENDED FOR USE WITH TROJAN® LEAD ACID BATTERIES ONLY.

▽ ASSEMBLY

▲ INCLUDED IN ASSEMBLY

HYDROLINK[®] MANUAL BATTERY WATERING SYSTEM

355454



HYDROLINK® MANUAL BATTERY WATERING SYSTEM

	Ref.	Part No.	Serial Number	Description	Qty.
▽		9010300*	(10000000- 10995398)	Battery Fill Kit, 24v, Ci [Hydrolink] (Replaced By 9021123)	1
▲	1	1058939	(10000000- 10995398)	Pump Kit, Fill, Battery	1
▲	2	1229544	(10000000- 10995398)	Tube, Water, Battery, 24vdc [Trojan]	1
▲	3	1204142	(10000000- 10995398)	Cap, Fill, Battery [Trojan]	4
▲	4	1071084	(10000000- 10995398)	Label, Tag, Battery [Hydrolink Watering]	1
▲	5	130773	(10000000- 20000000)	Tie, Cable, Nyl, 11.0l, .14w, 3.0 Max. D	2

*THIS KIT IS INTENDED FOR USE WITH TROJAN® LEAD ACID BATTERIES ONLY.

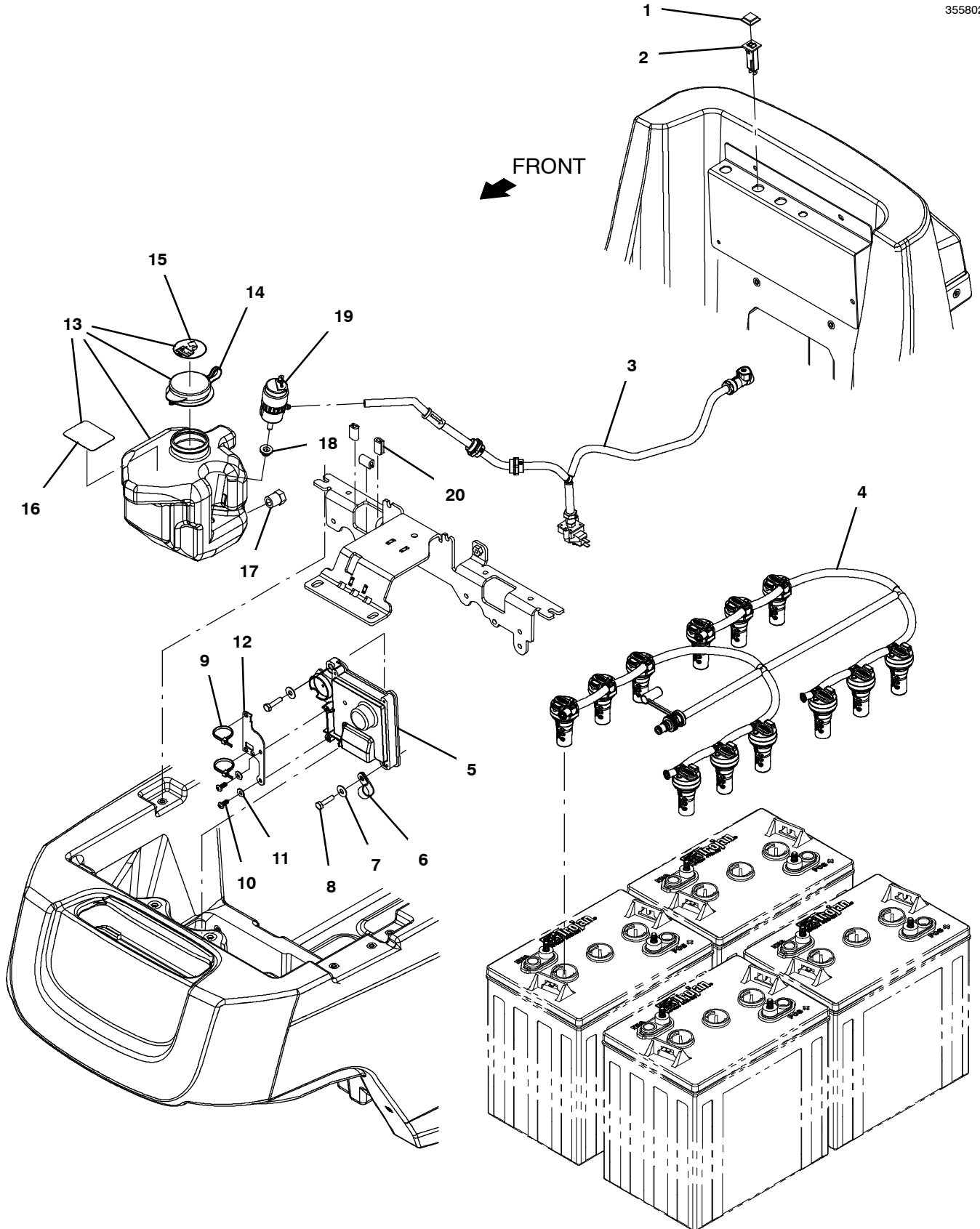
HYDROLINK® IS A REGISTERED TRADEMARK OF TROJAN BATTERY COMPANY.

▽ ASSEMBLY

▲ INCLUDED IN ASSEMBLY

SMART-FILL AUTOMATIC BATTERY WATERING SYSTEM
(S/N 10995399 -)

355802



**SMART-FILL AUTOMATIC BATTERY WATERING SYSTEM
(S/N 10995399 -)**

Ref.	Part No.	Serial Number	Description	Qty.
▽	9021125*	(10995399-20000000)	Fill Kit, Battery, Auto, Ci [Trojan]	1
▲	1 1064191	(10000000-20000000)	Boot, Circuitbreaker	1
▲	2 1064187	(10000000-20000000)	Circuitbreaker, 10.0a, Resetable	1
▲	3 9018989	(10995399-20000000)	Delivery Kit, Water, Battery	1
▲	4 9018988	(10995399-20000000)	Distribution Kit, Water, Battery	1
▲	5 9016770*	(10995399-20000000)	Controller Kit, Battery, 24vdc, Ci [Abw] (See Breakdowns)	1
▲	6 40678-1	(10995399-20000000)	Clamp, Cable, Stl, 0.88d X 0.62w, 1hole	1
▲	7 01684	(10000000-20000000)	Washer, Flat, 0.27b 0.69d .05, Ss	2
▲	8 1016005	(10000000-20000000)	Screw, Hex, M6 X 1.00 X 25, NI, FI, Ss	2
▲	9 130773	(10000000-20000000)	Tie, Cable, Nyl, 11.0l, .14w, 3.0 Max. D	2
▲	10 1018155	(10000000-20000000)	Screw, Pan, Phl, M5 X 0.80 X 16, Tcut,Ss	2
▲	11 01683	(10000000-20000000)	Washer, Flat, 10, Ss	2
▲	12 1252827	(10995399-20000000)	Bracket, Mtg, Abw	1
▲▽	13 9021131	(10995399-20000000)	Tank Kit, Battery Fill, Ci [W/ Pump]	1
▲▲	14 1224600	(10000000-20000000)	Cap, Snap, 2.17d [Blue]	1
▲▲	15 1224988	(10995399-20000000)	Label, Automated Battery Watering	1
▲▲	16 1233633	(10995399-20000000)	Label, Detgt [Do Not Add]	1
▲▲	17 630146	(10995399-20000000)	Fitting, Plug, Pm06, Hdpe	1
▲▲	18 1231338	(10995399-20000000)	Grommet, Pump	1
▲▲	19 1231018	(10995399-20000000)	Pump, In- Tank, 13.5vdc 3.5lpm	1
▲	20 1020168	(10000000-20000000)	Molding, Afmkt, Trim, Pvc, .08 .11, 01ft	1

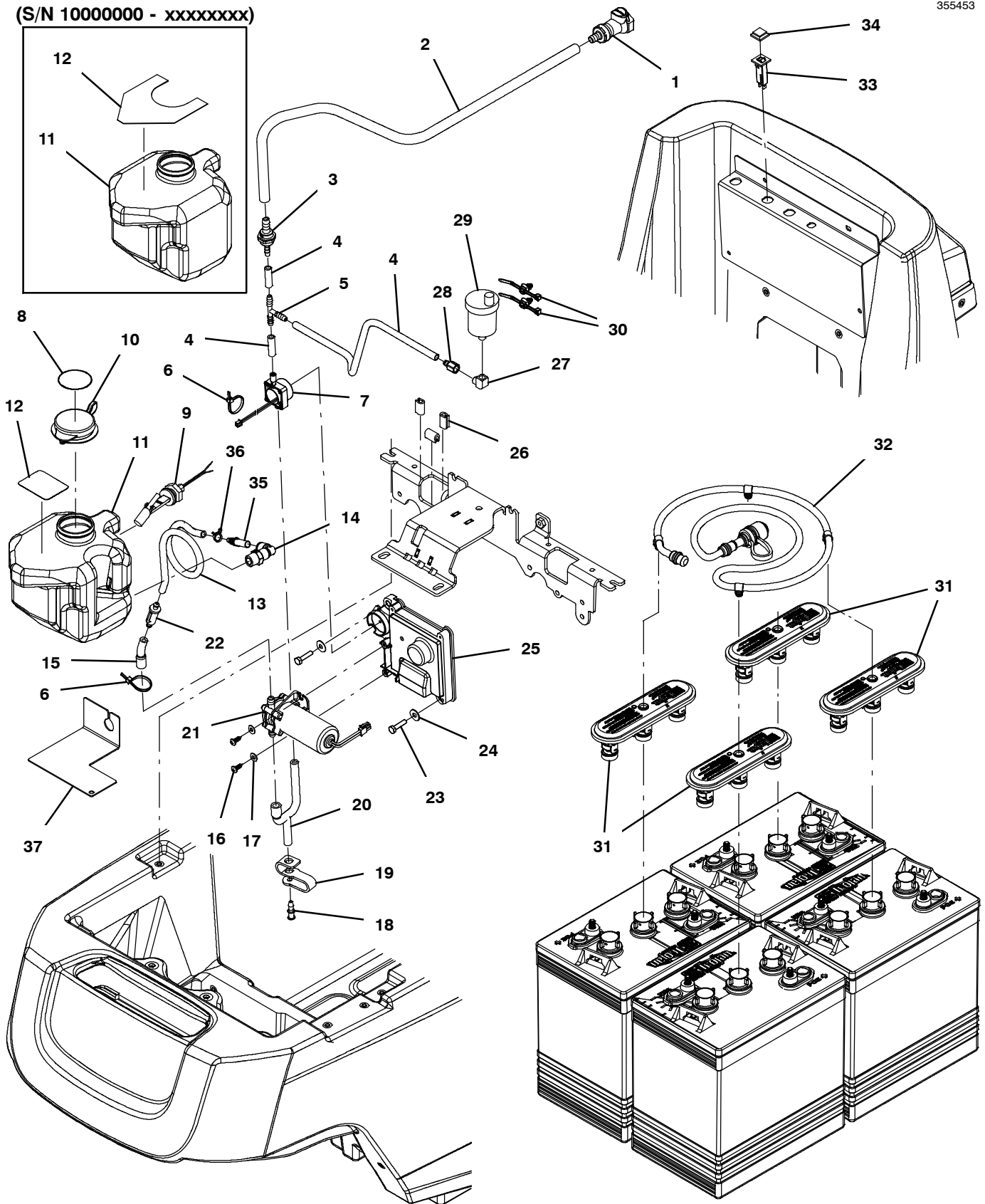
*** Requires Tennant *True* service or an authorized Tennant service provider.**

▽ ASSEMBLY

▲ INCLUDED IN ASSEMBLY

SMART-FILL AUTOMATIC BATTERY WATERING SYSTEM
(S/N 10000000 - 10995398)

355453



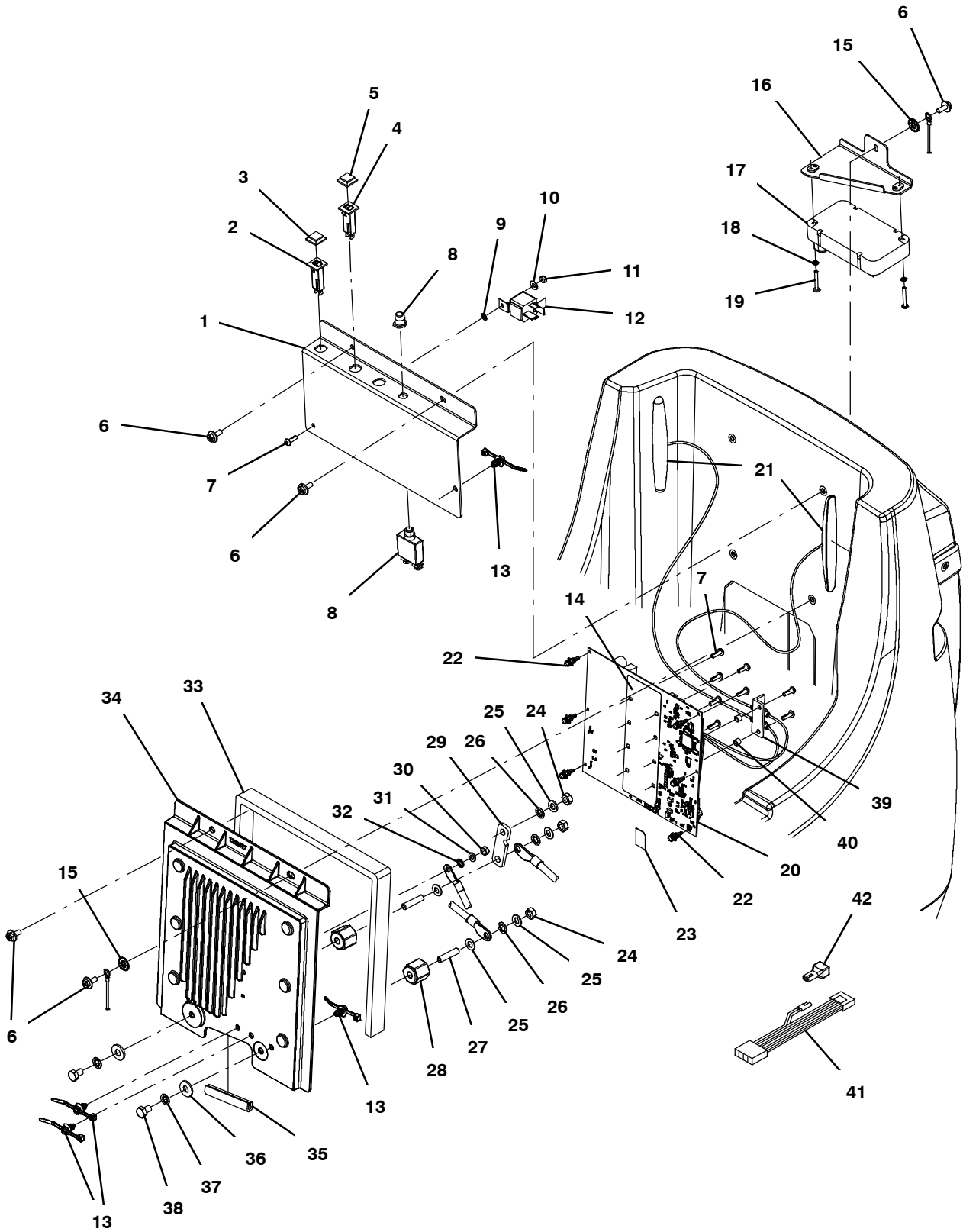
**SMART-FILL AUTOMATIC BATTERY WATERING SYSTEM
(S/N 10000000 - 10995398)**

Ref.	Part No.	Serial Number	Description	Qty.
1	1221589	(10000000- 10995398)	Fitting, Plstc, Str, Bm06, Cplg, Fem[HI]	1
2	1006416	(10000000- 10995398)	Hose, Afrmkt, Pvc, Clr, 0.38id, 03ft	1
3	1225185	(10000000- 10995398)	Valve, Check, 0002psi Bm04/Bm06	1
4	1006415	(10000000- 10995398)	Hose, Afrmkt, Pvc, Clr, 0.25id, 03ft	1
5	150713	(10000000- 10995398)	Fitting, Plstc, Tee, Bm04/Bm04/Bm04	1
6	130773	(10000000- 20000000)	Tie, Cable, Nyl, 11.0l, .14w, 3.0 Max. D	2
7	1222371	(10000000- 10995398)	Sensor, Flow, Hall Effect, 5- 24vdc	1
8	1224988	(10000000- 10995398)	Label, Automated Battery Watering	1
9	1212430	(10000000- 10995398)	Sensor, Level, Liq, 30watt, Spst	1
10	1224600	(10000000- 20000000)	Cap, Snap, 2.17d [Blue]	1
11	1252606	(xxxxxxx- 20000000)	Tank, 2.3l, Trimmed, Se	1
11	1217453	(10000000- xxxxxxxx)	Tank [2.5 Liter] (Replaced By 1252606)	1
12	1233633	(xxxxxxx- 20000000)	Label, Detgt [Do Not Add]	1
12	1228813	(10000000- xxxxxxxx)	Label, Warning, No Detgt (Replaced By 1233633)	1
13	1006415	(10000000- 10995398)	Hose, Afrmkt, Pvc, Clr, 0.25id, 03ft	1
14	1212812	(10000000- 10995398)	Fitting, Plstc, E90, Qf06/Pm06, Swivel	1
15	1224108	(10000000- 10995398)	Hose, Mold, Bm04/Bm06	1
16	1018155	(10000000- 20000000)	Screw, Pan, Phl, M5 X 0.80 X 16, Tcut, Ss	2
17	01683	(10000000- 20000000)	Washer, Flat, 10, Ss	2
18	1228042	(10000000- 10995398)	Fitting, Plstc, Cap, Bm03 [T500]	1
19	1228043	(10000000- 10995398)	Strap, Retaining, Cap [T500]	1
20	1224016	(10000000- 10995398)	Hose, Molded, Bm04/Bm06	1
21	1220042	(10000000- 10995398)	Pump, Fill, Battery	1
22	1222924	(10000000- 10995398)	Filter, In- Line, Bm04/Bm04, 100mic, 2.0l	1
23	1016005	(10000000- 20000000)	Screw, Hex, M6 X 1.00 X 25, NI, FI, Ss	2
24	01684	(10000000- 20000000)	Washer, Flat, 0.27b 0.69d .05, Ss	2
25	9018008*	(10000000- 10995398)	Kit, Module, Abw, Ci (See Breakdowns) (Replaced By 9016770)	1
26	1020168	(10000000- 20000000)	Molding, Afrmkt, Trim, Pvc, .08 .11, 01ft	1
27	150407	(10000000- 10995398)	Fitting, Brs, E90, Pf02/Pm02 [Street]	1
28	1040254	(10000000- 10995398)	Fitting, Brs, Str, Bm04/Pf02	1
29	1017386	(10000000- 10995398)	Valve, Vent, Air, Float Type	1
30	1210807	(10000000- 10995398)	Wire, Tie [W/.25" Fir Tree Clip]	2
31	1204142	(10000000- 10995398)	Cap, Fill, Battery [Trojan]	4
32	1229544	(10000000- 10995398)	Tube, Water, Battery, 24vdc [Trojan]	1
33	1064187	(10000000- 20000000)	Circuitbreaker, 10.0a, Resetable	1
34	1064191	(10000000- 20000000)	Boot, Circuitbreaker	1
35	1212857	(10000000- 10995398)	Fitting, Plstc, Str, Qm06/Bm04	1
36	613735	(10000000- 10995398)	Clamp, Hose, Wir, .40 - .42, Yel	1
37	1243106	(10000000- 10995398)	Plate, Shield, Switch	1

* Requires Tennant *True* service or an authorized Tennant service provider.

ELECTRICAL GROUP, TELEMETRY

355443



ELECTRICAL GROUP, TELEMETRY

Ref.	Part No.	Serial Number	Description	Qty.
1	1218761	(10000000- 20000000)	Bracket, Mtg [Circuitbreakers- T500]	1
2	1208816	(10000000- 20000000)	Circuitbreaker, 04.0a, Resetable	1
3	1064191	(10000000- 20000000)	Boot, Circuitbreaker	1
4	1064187	(10000000- 20000000)	Circuitbreaker, 10.0a, Resetable	1
5	1064191	(10000000- 20000000)	Boot, Circuitbreaker	1
6	1034731	(10000000- 20000000)	Screw, Hex, M6 X 1.00 X 16, Sems, Ss	5
7	1205799	(10000000- 20000000)	Screw, Btn, M5 X 0.8 X 16, 8.8, NI, Torx	9
8	383729	(10000000- 20000000)	Circuitbreaker, 60.0a	1
9	07514	(10000000- 20000000)	Washer, Lock, Int, 10, Ss	1
10	01683	(10000000- 20000000)	Washer, Flat, 10, Ss	1
11	09739	(10000000- 20000000)	Nut, Hex, Lock, M5 X 0.80, NI, Ss	1
12	1228510	(10000000- 20000000)	Relay, 24vdc, 80a, Spst No, Plug- In	1
13	1210807	(10000000- 20000000)	Wire, Tie [W/.25" Fir Tree Clip]	4
14	1220930	(10000000- 20000000)	Circuitboard, Silpad [T500, Main Scrub]	1
15	41140	(10000000- 20000000)	Washer, Lock, Int- Ext, 0.25	2
16	1223824	(10000000- 20000000)	Bracket Wldt, Mtg, Cntrl, [T300/T300e]	1
17	9015776*	(10000000- 20000000)	Drive Module Kit, Ci	1
18	02938	(10000000- 20000000)	Washer, Lock, Int, 08, Ss	2
19	33931	(10000000- 20000000)	Screw, Pan, Phl, M4 X 0.70 X 30, Ss	2
▽	20	9015787*	Kit, Control Board, Telem, Ci [T500]	1
▲		27964	Strap, Ground, Static, Disposable	1
▲		1071235	Cable [Usb, 2m, A- Male To Mini- B- Male]	1
▲		130773	Tie, Cable, Nyl, 11.0l, .14w, 3.0 Max. D	1
▲	21	1247569	Antenna, Telem [4g, 36"]	2
	21	315724	Antenna, Telem, 18.0 In [Gprs]	1
22	1209448	(10000000- 20000000)	Standoff, Circuitboard, .25	1
23	9014186	(10000000- 20000000)	Kit, Telem, Ci [Sim, Usa, T300]	1
23	9014187	(10000000- 20000000)	Kit, Telem, Ci [Sim, Intl, T300]	1
24	41361	(10000000- 20000000)	Nut, Hex, Std, M8 X 1.25, Brs	6
25	1209373	(10000000- 20000000)	Washer, Flat, M8.4b X 16d X 1.6, Brs	3
26	43952	(10000000- 20000000)	Washer, Lock, Int, 0.31, Ss	5
27	607461	(10000000- 20000000)	Screw, Set, M8 X 1.25 X 35, NI	3
28	1205345	(10000000- 20000000)	Stand- Off, Wir, M8, Insulator, Panel	2
29	1212780	(10000000- 20000000)	Busbar, 125a 0.188 0.750w 2.638l	2
30	1061910	(10000000- 20000000)	Nut, Hex, Std, M6 X 1.00, Brs	1
31	1061918	(10000000- 20000000)	Washer, Flat, 0.25b 0.47d .06, Brs	1
32	07515	(10000000- 20000000)	Washer, Lock, Int, 0.25, Ss	1
33	1219045	(10000000- 20000000)	Gasket, Cover, Circuitboard	1
34	1234401	(10000000- 20000000)	Heatsink, Mtg, Circuitboard, Machined	1
35	1020174	(10000000- 20000000)	Molding, Afmkt, Trim, Pvc, .08 .11, 03ft	1
36	01685	(10000000- 20000000)	Washer, Flat, 0.38b 0.88d .08, Ss	2
37	32984	(10000000- 20000000)	Washer, Lock, Int, 0.31	2
38	386868	(10000000- 20000000)	Screw, Hex, M8 X 1.25 X 12, Ss	2
39	1227812	(10000000- 20000000)	Bracket, Sma Connector	1
40	1227815	(10000000- 20000000)	Spacer, Unthreaded, Aluminium	2
41	1075195	(10000000- 20000000)	Harness, Ele, Adaptor [T300, Amii]	1
42	222290	(10000000- 20000000)	Diode, Ele, Plug	1

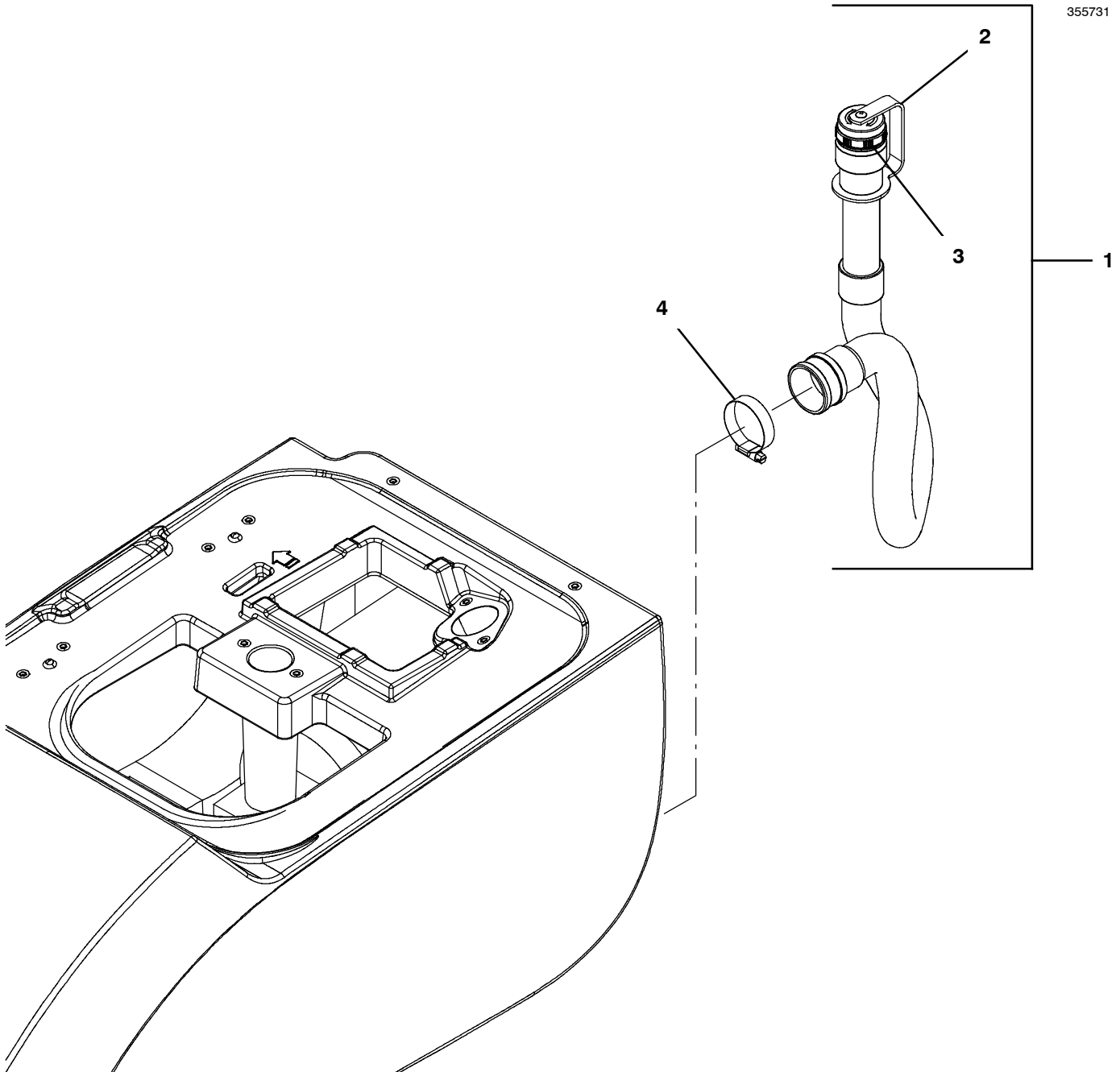
* Requires Tennant *True* service or an authorized Tennant service provider.

▽ ASSEMBLY

▲ INCLUDED IN ASSEMBLY

PINCH CUFF SCREW CAP DRAIN HOSE GROUP

355731



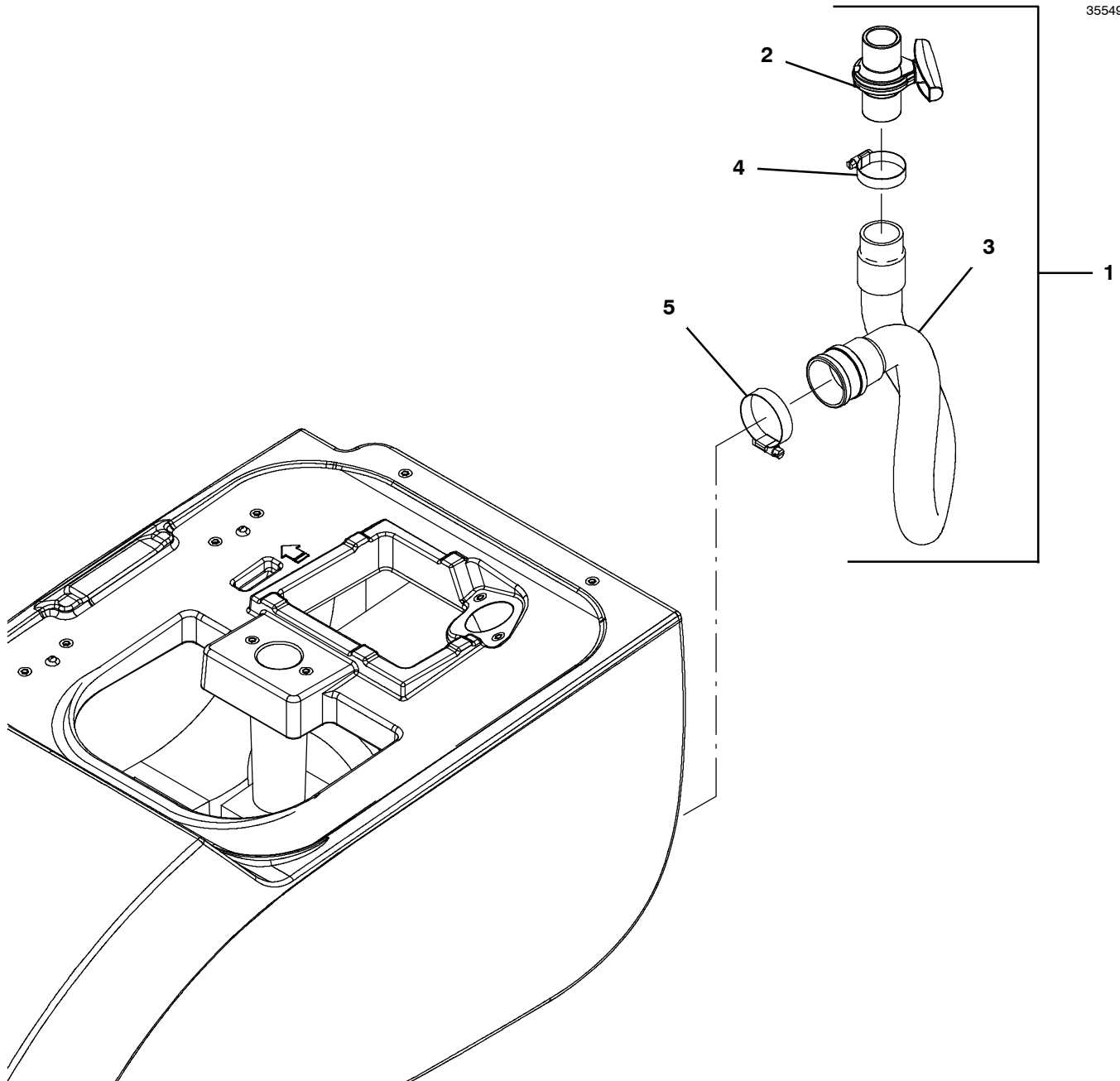
Ref.	Part No.	Serial Number	Description	Qty.
▽	1	1250482	(10984821- 20000000) Hose Assy, Drain, 1.5id X 15.5l [Pvc] (Black)	1
▲▽	2	1218955	(10000000- 20000000) Cap, Drain Assy [Black]	1
▲▲	3	1008637	(10000000- 20000000) Seal, Org, 1.48id 1.76od	1
▽	1	1247083	(10948943- 10984820) Hose Assy, Drain, 1.5id X 26.4l [Pu] (Gray) (NLA - Replaced By Black PVC Hose 1250482)	1
▲▽	2	1219134	(10948943- 10984820) Cap, Drain Assy [Gray]	1
▲▲	3	1008637	(10948943- 20000000) Seal, Org, 1.48id 1.76od	1
	4	22297	(10000000- 20000000) Clamp, Hose, Wormdrive, 1.56- 2.50d, .50w	1

▽ ASSEMBLY

▲ INCLUDED IN ASSEMBLY

CONTROL VALVE DRAIN HOSE GROUP

355495



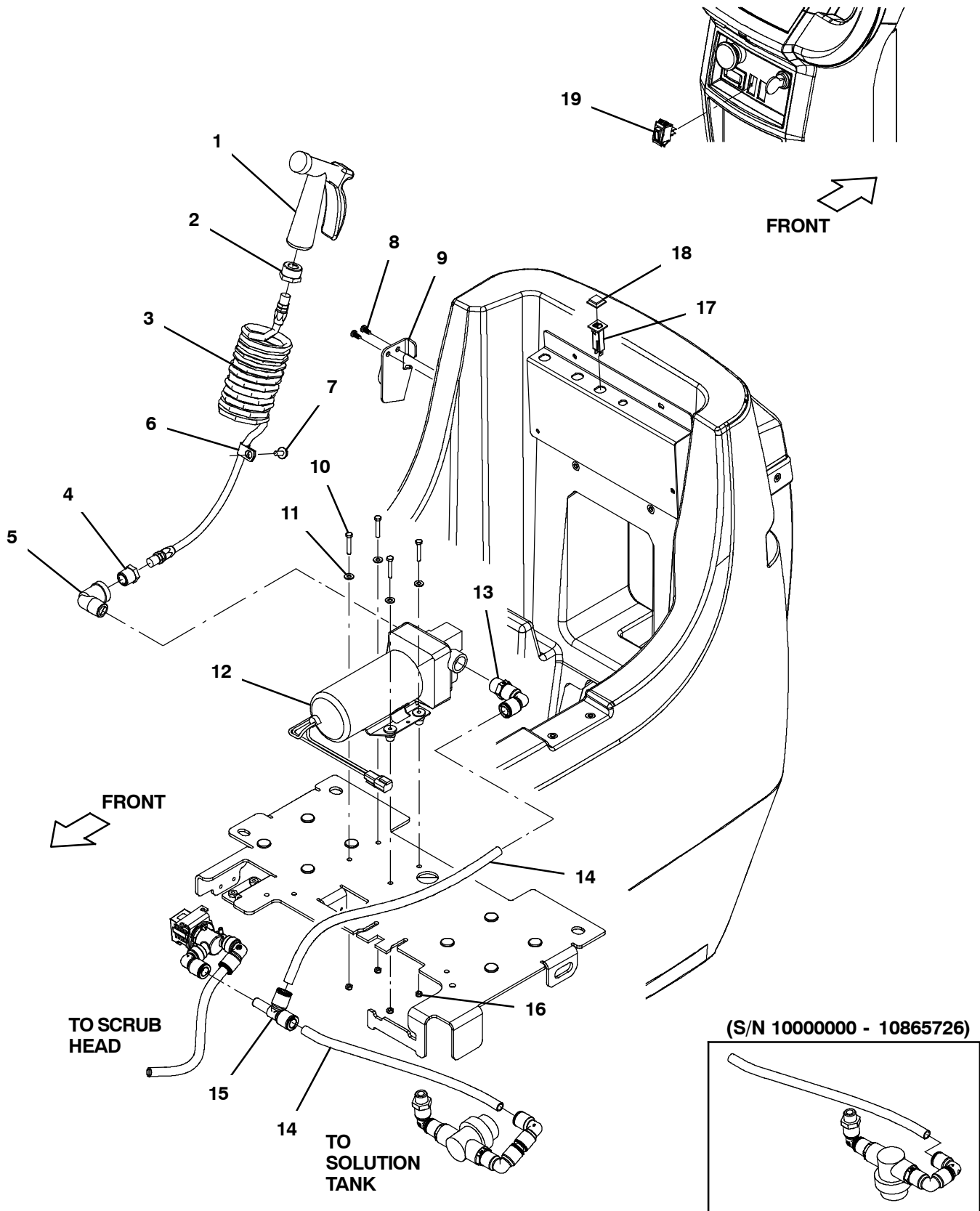
Ref.	Part No.	Serial Number	Description	Qty.
▽	1	9015726	(10000000- 10948942) Hose Kit, Drain, Pu, W/ Valve, Ci[T500] (Gray) (No Longer Available - Replaced by 1250482 - Pinch Cuff Screw Cap Style)	1
▲	2	1051986	(10000000- 10948942) Valve, Ball, 2way, 1.0id Pvc, W/Handle (No Longer Available - Replaced by 1250482 - Pinch Cuff Screw Cap Style)	1
▲	3	1225817	(10000000- 10948942) Hose Assy, W/2cuff, 1.5d 027I 2.0/1.5[Pu] (Gray)	1
▲	4	11531	(10000000- 10948942) Clamp, Hose, Wormdrive, 1.06- 2.00d, .56w	1
	5	22297	(10000000- 20000000) Clamp, Hose, Wormdrive, 1.56- 2.50d, .50w	1

▽ ASSEMBLY

▲ INCLUDED IN ASSEMBLY

RECOVERY TANK RINSE KIT

355431



RECOVERY TANK RINSE KIT

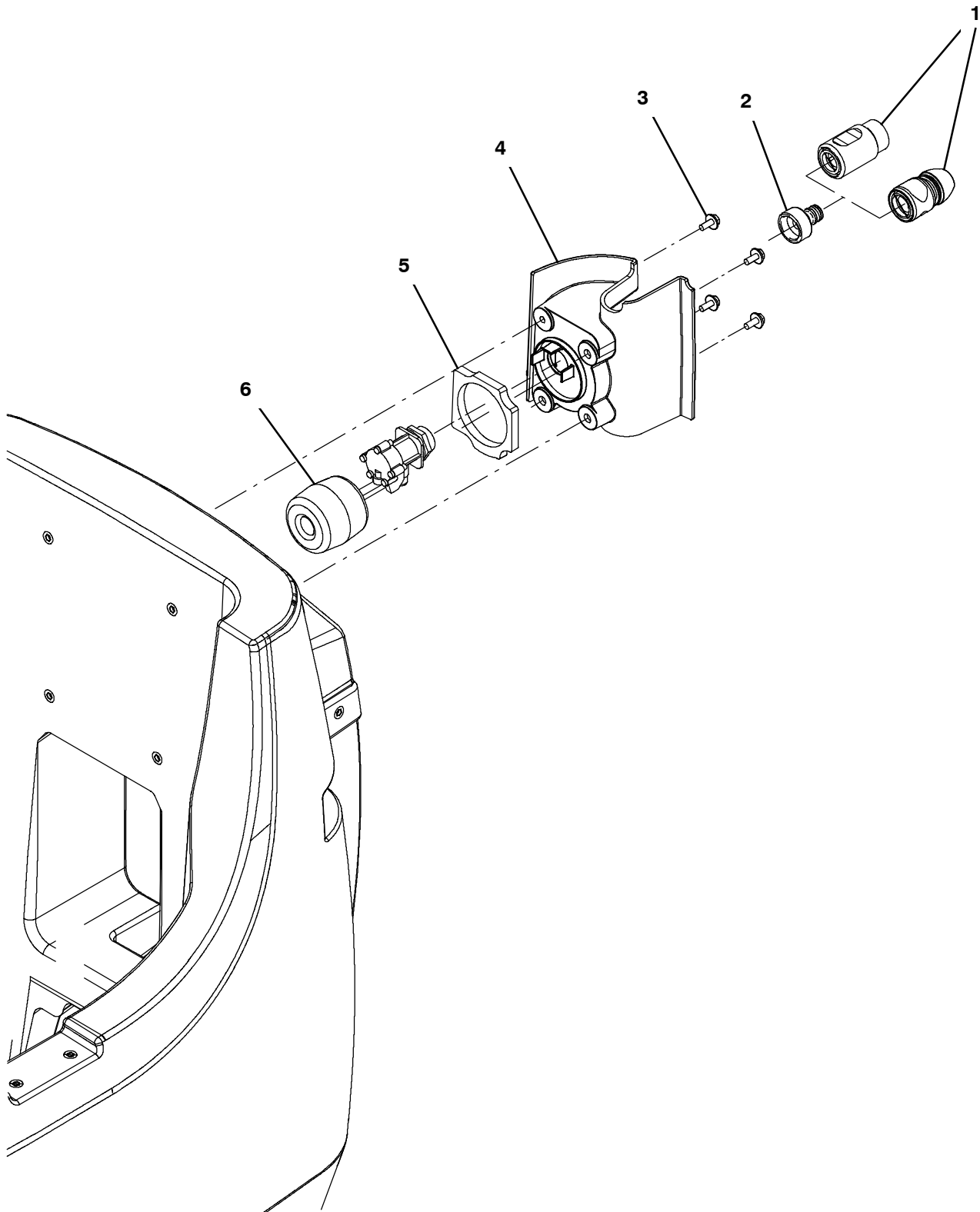
Ref.	Part No.	Serial Number	Description	Qty.
▽	9015481	(10000000- 11058038)	Rinse Kit, Tank, Rec [T500] , Ci (Option - No Longer Available)	1
▲	1 769785	(10000000- 11058038)	Nozzle, Spray, Hand	1
▲	2 1220554	(10000000- 11058038)	Fitting, Brs, Str, Pf04/Garden Hose	1
▲	3 160132	(10000000- 11058038)	Hose Assy, 0.25id X 12ft Coil	1
▲	4 1220546	(10000000- 11058038)	Fitting, Brs, Str, Pm08/Pf04	1
▲	5 1220131	(10000000- 11058038)	Fitting, Plstc, E90, 1/2" Npt Male- Femal	1
▲	6 40678	(10000000- 11058038)	Clamp, Cable, Stl, 0.44d X 0.62w, 1hole	1
▲	7 1034731	(10000000- 11058038)	Screw, Hex, M6 X 1.00 X 16, Sems, Ss	1
▲	8 1018155	(10000000- 11058038)	Screw, Pan, Phl, M5 X 0.80 X 16, Tcut,Ss	2
▲	9 1227293	(10000000- 11058038)	Bracket, Hanger, Hose	1
▲	10 1228033	(10000000- 11058038)	Screw, Hex, M5 X 0.80 X 30, Ss	4
▲	11 01683	(10000000- 11058038)	Washer, Flat, 10, Ss	4
▲	12 1220123	(10000000- 11058038)	Pump, Soltn, Ele, 24 Vdc, 60 Psi, 4 Gpm	1
▲	13 1212764	(10000000- 11058038)	Fitting, Plstc, E90, Qf08/Pm08, Swivel	1
▲	14 9014145	(10000000- 11058038)	Hose, Afmkt, Pe, .375id .50od, 05ft	1
▲	15 1212806	(10000000- 11058038)	Fitting, Plstc, Tee, Qf08/Qf08/Qm08	1
▲	16 09739	(10000000- 11058038)	Nut, Hex, Lock, M5 X 0.80, NI, Ss	4
▲	17 1064188	(10000000- 11058038)	Circuitbreaker, 15.0a, Resetable	1
▲	18 1064191	(10000000- 11058038)	Boot, Circuitbreaker	1
▲	19 1044393	(10000000- 11058038)	Switch, Rocker, Spst, Mom	1

▽ ASSEMBLY

▲ INCLUDED IN ASSEMBLY

SOLUTION TANK AUTO-FILL KIT

355455



SOLUTION TANK AUTO-FILL KIT

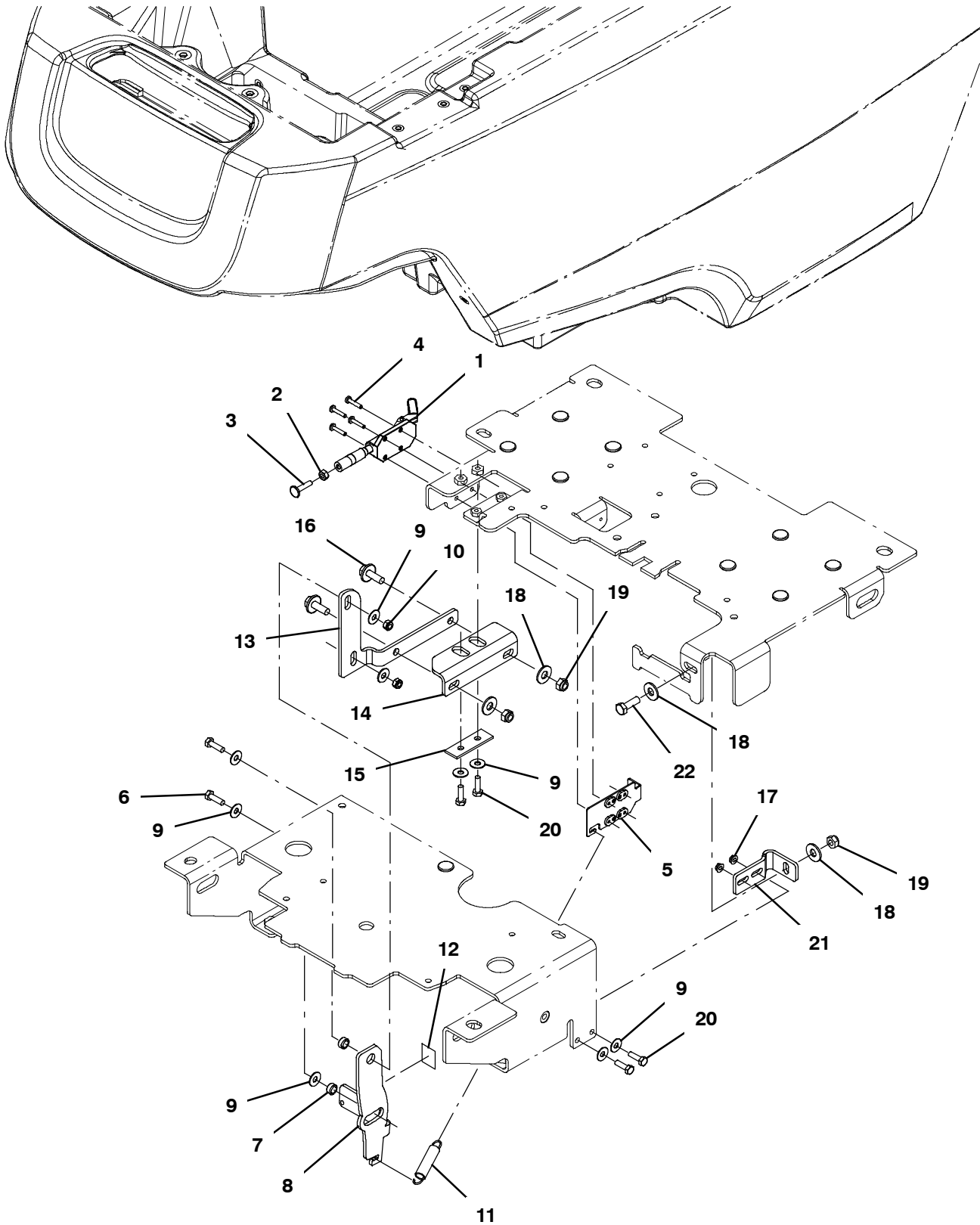
	Ref.	Part No.	Serial Number	Description	Qty.
▽		9015482	(10000000- 11058038)	Fill Kit, Auto, Ci (Option - No Longer Available)	1
▲	1	1227512	(10000000- 11058038)	Fitting, Plstc, Qd, Female	1
▲	1	1235103	(10000000- 11058038)	Fitting, Plstc, Qd, Female (Australia)	1
▲	2	1227400	(10000000- 11058038)	Fitting, Plstc, Qd, Male	1
▲	3	1034731	(10000000- 11058038)	Screw, Hex, M6 X 1.00 X 16, Sems, Ss	4
▲	4	1225411	(10000000- 11058038)	Cover, Auto Fill[T500]	1
▲	5	1220263	(10000000- 11058038)	Seal, Bulk Head, Water	1
▲	6	1219566	(10000000- 11058038)	Valve, Float, 6.7gpm	1

▽ ASSEMBLY

▲ INCLUDED IN ASSEMBLY

PARKING BRAKE GROUP (S/N 11064202 -)

355940

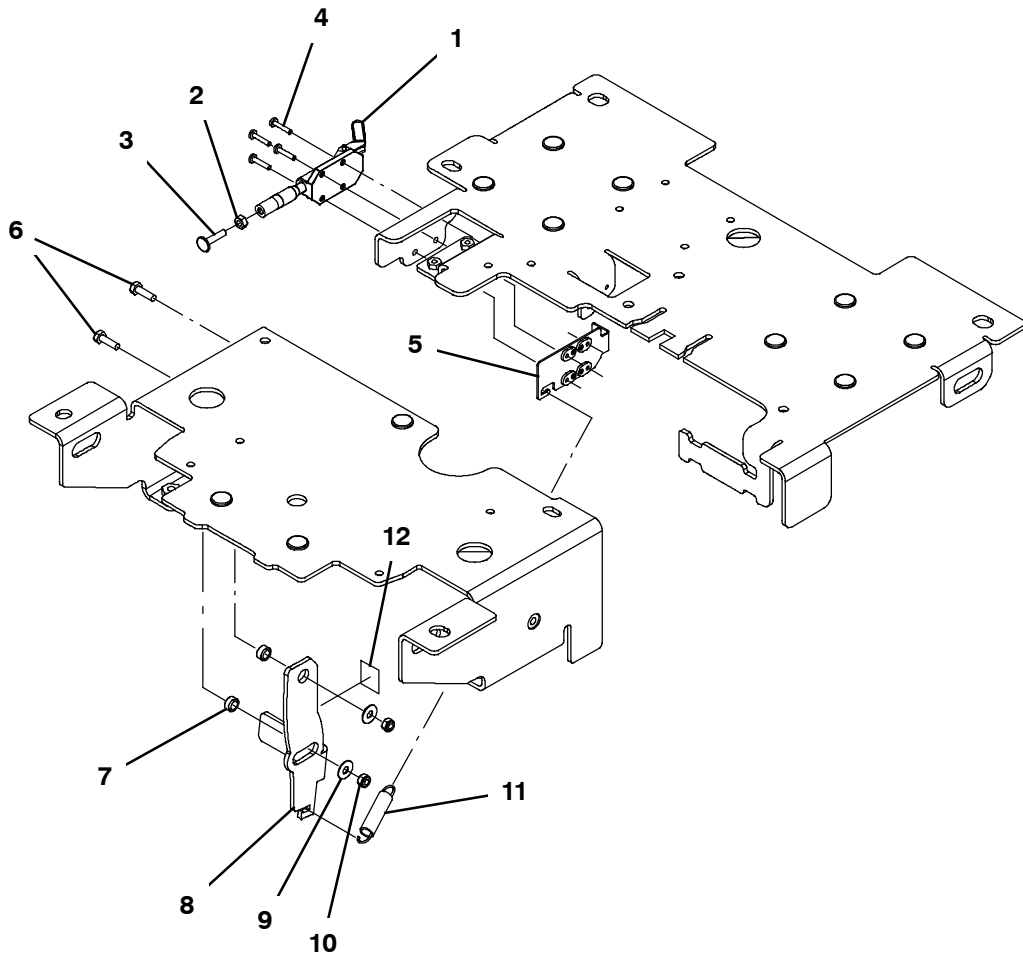
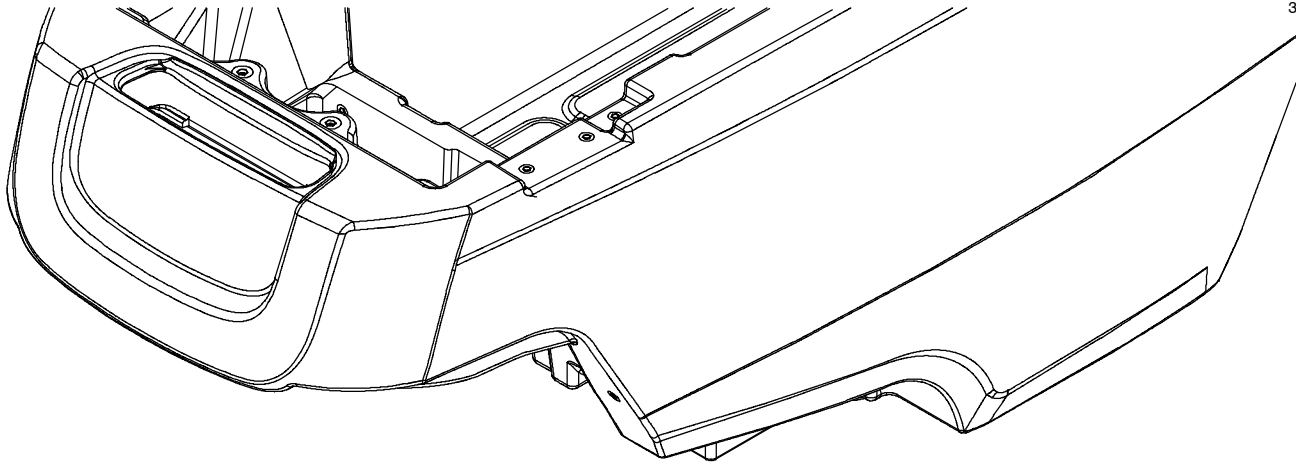


PARKING BRAKE GROUP (S/N 11064202 -)

Ref.	Part No.	Serial Number	Description	Qty.
1	1221694	(10000000- 20000000)	Clamp, Brake, Parking [T500]	1
2	07785	(10000000- 20000000)	Nut, Hex, Std, M6 X 1.00, Ss	1
3	1017416	(10000000- 20000000)	Screw, Weld, M6 X 1.00 X 25, Thru, Ss	1
4	12323	(10000000- 20000000)	Screw, Pan, Phl, M4 X 0.70 X 20, Ss	4
5	1221695	(10000000- 20000000)	Plate Wldt, Brake [T500]	1
6	1040803	(11064202- 20000000)	Screw, Hex, M6 X 1.00 X 30mm, Ss	2
7	360801	(10000000- 20000000)	Sleeve, 0.32b 0.50d 0.3l, 2cham, Ss	2
8	1256643	(11064202- 20000000)	Shoe, Brake, Parking	1
9	01684	(11064202- 20000000)	Washer, Flat, 0.27b 0.69d .05, Ss	9
10	08712	(10000000- 20000000)	Nut, Hex, Lock, M6 X 1.00, NI, Ss	2
11	75575	(10000000- 20000000)	Spring, Extn, 0.50od 0.06wir 02.5l	1
12	1224990	(10000000- 20000000)	Label, Opertnl, Parking Brake	1
13	1259657	(11064202- 20000000)	Bracket, Spanning Vert [T500]	1
14	1259658	(11064202- 20000000)	Bracket, Spanning Angle [T500]	1
15	1260051	(11064202- 20000000)	Plate, Bracket, Spanning	1
16	1072628	(11064202- 20000000)	Screw, Hex, M8 X 1.25 X 25, Ss, Sems	2
17	1040381	(11064202- 20000000)	Nut, Hex, Flng, M6 X 1.0, Ss [Serrated]	2
18	01685	(11064202- 20000000)	Washer, Flat, 0.38b 0.88d .08, Ss	4
19	08713	(11064202- 20000000)	Nut, Hex, Lock, M8 X 1.25, NI, Ss	3
20	08716	(11064202- 20000000)	Screw, Hex, M6 X 1.00 X 20, Ss	4
21	1256017	(11064202- 20000000)	Bracket, Spanning [T500]	1
22	09010	(11064202- 20000000)	Screw, Hex, M8 X 1.25 X 25, Ss	1

PARKING BRAKE GROUP (S/N 1000000 - 11064201)

355420

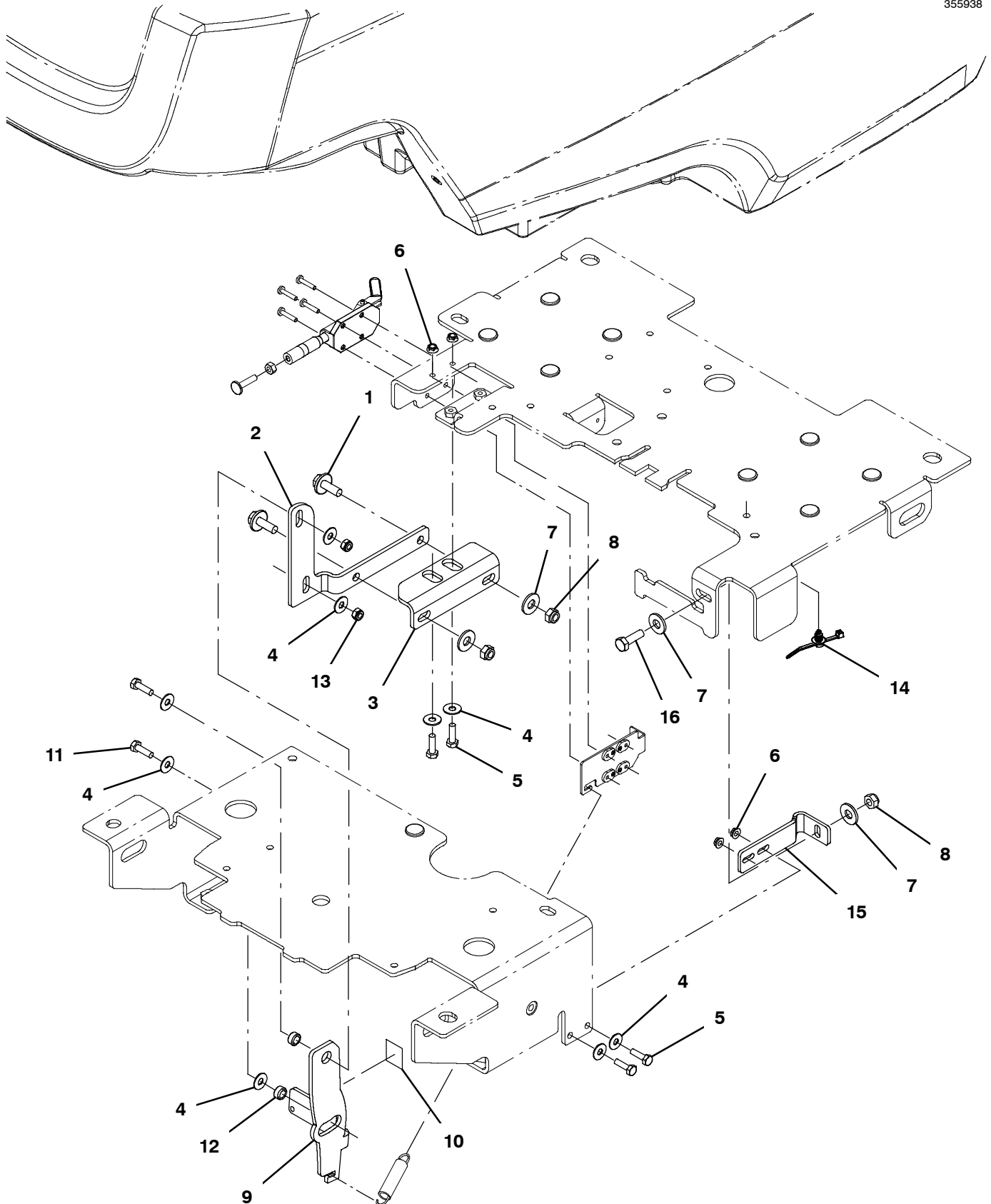


PARKING BRAKE GROUP (S/N 10000000 - 11064201)

Ref.	Part No.	Serial Number	Description	Qty.
1	1221694	(10000000- 20000000)	Clamp, Brake, Parking [T500]	1
2	07785	(10000000- 20000000)	Nut, Hex, Std, M6 X 1.00, Ss	1
3	1017416	(10000000- 20000000)	Screw, Weld, M6 X 1.00 X 25, Thru, Ss	1
4	12323	(10000000- 20000000)	Screw, Pan, Phl, M4 X 0.70 X 20, Ss	4
5	1221695	(10000000- 20000000)	Plate Wldt, Brake [T500]	1
6	08716	(10000000- 11064201)	Screw, Hex, M6 X 1.00 X 20, Ss	2
7	360801	(10000000- 20000000)	Sleeve, 0.32b 0.50d 0.3l, 2cham, Ss	2
8	1221423	(10000000- 11064201)	Shoe, Brake, Parking	1
9	01684	(10000000- 11064201)	Washer, Flat, 0.27b 0.69d .05, Ss	2
10	08712	(10000000- 20000000)	Nut, Hex, Lock, M6 X 1.00, NI, Ss	2
11	75575	(10000000- 20000000)	Spring, Extn, 0.50od 0.06wir 02.5l	1
12	1224990	(10000000- 20000000)	Label, Opertnl, Parking Brake	1

BRACKET KIT, SOLUTION TANK SUPPORT (S/N 1000000 - 11064201)

355938



BRACKET KIT, SOLUTION TANK SUPPORT (S/N 1000000 - 11064201)

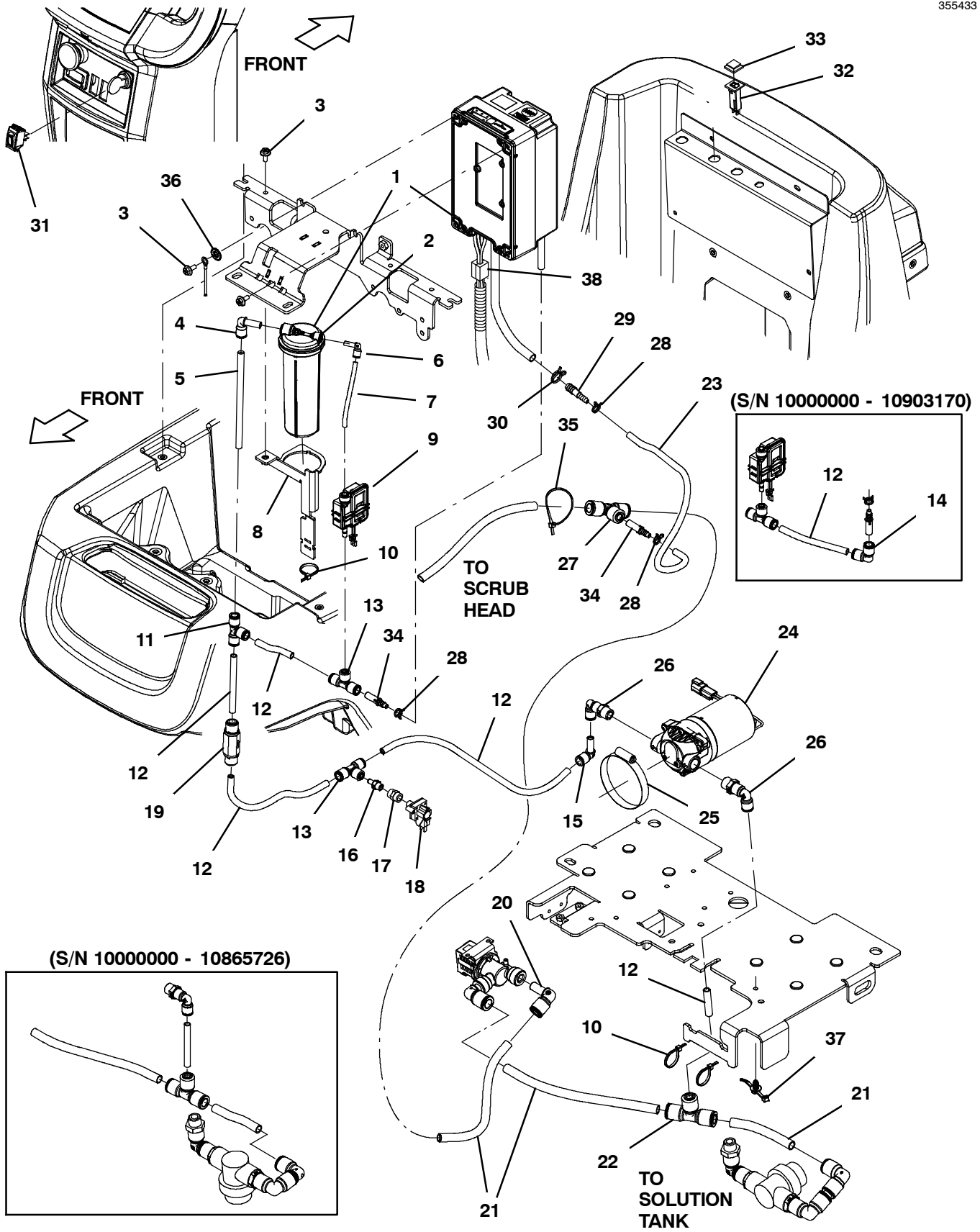
Ref.	Part No.	Serial Number	Description	Qty.
▽	9021792	(10000000- 11064201)	Solution Tank Support Kit Afmkt [T500/E]	1
▲	1 1072628	(10000000- 11064201)	Screw, Hex, M8 X 1.25 X 25, Ss, Sems	2
▲	2 1255979	(10000000- 11064201)	Bracket, Spanning [T500]	1
▲	3 1255978	(10000000- 11064201)	Bracket, Spanning [T500]	1
▲	4 01684	(10000000- 11064201)	Washer, Flat, 0.27b 0.69d .05, Ss	9
▲	5 08716	(10000000- 11064201)	Screw, Hex, M6 X 1.00 X 20, Ss	2
▲	6 1040381	(10000000- 11064201)	Nut, Hex, Flng, M6 X 1.0, Ss [Serrated]	4
▲	7 01685	(10000000- 11064201)	Washer, Flat, 0.38b 0.88d .08, Ss	4
▲	8 08713	(10000000- 11064201)	Nut, Hex, Lock, M8 X 1.25, NI, Ss	3
▲	9 1256643	(10000000- 11064201)	Shoe, Brake, Parking	1
▲	10 1224990	(10000000- 11064201)	Label, Opertnl, Parking Brake	1
▲	11 1040803	(10000000- 11064201)	Screw, Hex, M6 X 1.00 X 30mm, Ss	2
	12 360801	(10000000- 20000000)	Sleeve, 0.32b 0.50d 0.3l, 2cham, Ss (Existing Part - Not Included In Upgrade Kit 9021792)	2
▲	13 08712	(10000000- 11064201)	Nut, Hex, Lock, M6 X 1.00, NI, Ss	2
▲	14 1210807	(10000000- 11064201)	Wire, Tie [W/.25" Fir Tree Clip]	1
▲	15 1256017	(10000000- 11064201)	Bracket, Spanning [T500]	1
▲	15 1259835	(10000000- 11064201)	Bracket, Spanning Old Frames [T500]	1
▲	16 09010	(10000000- 11064201)	Screw, Hex, M8 X 1.25 X 25, Ss	1

▽ ASSEMBLY

▲ INCLUDED IN ASSEMBLY

ec-H2O SOLUTION GROUP

355433



ec-H2O SOLUTION GROUP

Ref.	Part No.	Serial Number	Description	Qty.
▽	1	9021553	(SEP2022- 20000000) Module Kit, Replmt [Ec- H2o, B 02] (Canada Also Requires Ferrite)	1
▽	1	9020643	(10983853- AUG2022) Module Kit, Replmt [Ec- H2o, B 02] (Canada Also Requires Ferrite) (Replaced By 9021553)	1
▽	1	9011810	(10000000- 10983852) Module Kit, Replmt [Ec- H2o, B 02] (See Breakdowns) (Canada Also Requires Ferrite) (Replaced By 9021553)	1
▲	2	9013646	(10000000- 20000000) Cartridge, Ec- H2o Nanoclean Wcm, 270ml	1
	3	1034731	(10000000- 20000000) Screw, Hex, M6 X 1.00 X 16, Sems, Ss	3
	4	1215186	(10000000- 20000000) Fitting, Plstc, E90, Qf06/Qm06	1
	5	9014146	(10000000- 20000000) Hose, Afmkt, Pvc, 0.06id .38od, 05ft	1
	6	1214339	(10000000- 20000000) Fitting, Plstc, E90, Qfo4/Qm04	1
	7	9014147	(10000000- 20000000) Hose, Afmkt, Pvc, 0.06id .25od, 05ft	1
	8	1221926	(10000000- 20000000) Bracket Wldt, Mtg, Ec- H20 [T500]	1
	9	1216973	(10000000- 20000000) Pump Assy, Dispenser	1
	10	130773	(10000000- 20000000) Tie, Cable, Nyl, 11.0l, .14w, 3.0 Max. D	3
	11	1212573	(10000000- 20000000) Fitting, Plstc, Tee, Qf06/Qf06/Qf06	1
	12	9014148	(10000000- 20000000) Hose, Afmkt, Nat, 0.25id 0.375od, 06ft	1
	13	1212855	(10000000- 20000000) Fitting, Plstc, Tee, Qf04/Qf06/Qf06	2
	14	1212856	(10000000- 10903170) Fitting, Plstc, E90, Qf06/Qf06	1
	15	1215186	(10000000- 20000000) Fitting, Plstc, E90, Qf06/Qm06	1
	16	1216185	(10000000- 20000000) Fitting, Plstc, Str, Qm04/Pm02	1
	17	150307	(10000000- 20000000) Fitting, Brs, Cplg, Pf02/Pf02	1
	18	1044414	(10000000- 20000000) Switch, Press, 15psi, Pm02	1
	19	1215527	(10000000- 20000000) Valve, Check, 1.0 Psi Qf06/Qf06	1
	20	1212809	(10000000- 20000000) Fitting, Plstc, E90, Qf08/Qm08	1
	21	9014145	(10000000- 20000000) Hose, Afmkt, Pe, .375id .50od, 05ft	1
	22	1212875	(10000000- 20000000) Fitting, Plstc, Tee, Qf06/Qf08/Qf08	1
	23	1014985	(10000000- 20000000) Hose, Afmkt, Pvc, Clr, 0.25id, 08ft	1
	24	1210517	(10000000- 20000000) Pump, Soltn, Ele, 24vdc, 35 Psi	1
	25	43555	(10000000- 20000000) Clamp, Hose, Wormdrive, 2.62- 3.50d	1
	26	1212812	(10000000- 20000000) Fitting, Plstc, E90, Qf06/Pm06, Swivel	2
	27	1212875	(10000000- 20000000) Fitting, Plstc, Tee, Qf06/Qf08/Qf08	1
	28	613735	(10000000- 20000000) Clamp, Hose, Wir, .40 - .42, Yel	3
	29	1039557	(10000000- 20000000) Fitting, Plstc, Str, Bm04/Bm06	1
	30	607775	(10000000- 20000000) Clamp, Hose, Wir, .63 - .66, Blk	1
	31	1044393	(10000000- 20000000) Switch, Rocker, Spst, Mom	1
	32	1064187	(10000000- 20000000) Circuitbreaker, 10.0a, Resetable	1
	33	1064191	(10000000- 20000000) Boot, Circuitbreaker	1
	34	1212857	(10000000- 20000000) Fitting, Plstc, Str, Qm06/Bm04	2
	35	130773	(10000000- 20000000) Tie, Cable, Nyl, 11.0l, .14w, 3.0 Max. D	1
	36	41140	(10000000- 20000000) Washer, Lock, Int- Ext, 0.25	1
	37	1210807	(10865727- 20000000) Wire, Tie [W/.25" Fir Tree Clip]	1
	38	1065665	(10000000- 20000000) Inductor, 32.3mml [Ferrite 10- 250mhz] (Canada Only)	1

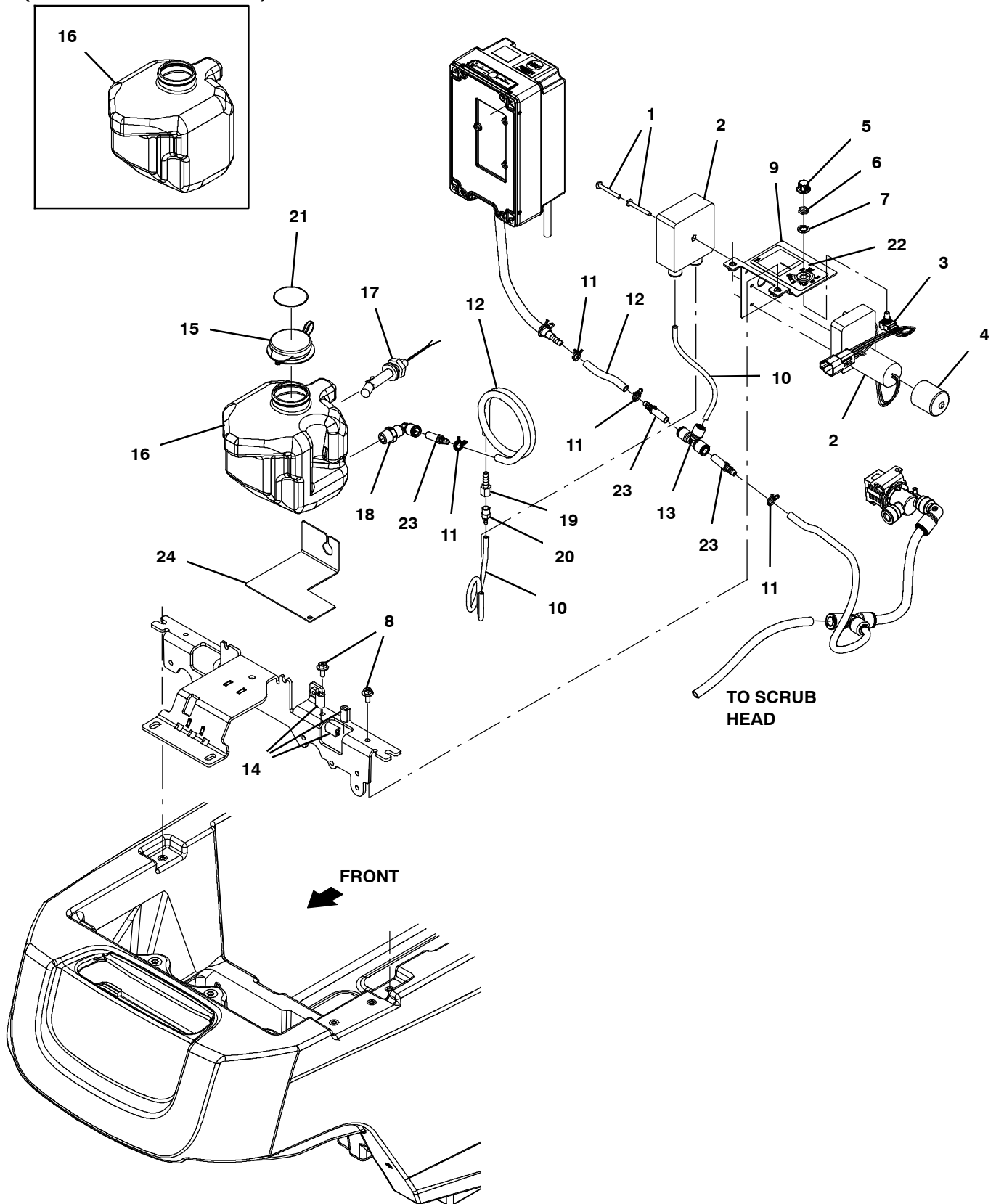
▽ ASSEMBLY

▲ INCLUDED IN ASSEMBLY

SEVERE ENVIRONMENT SOLUTION GROUP

355436

(S/N 1000000 - xxxxxxxx)



SEVERE ENVIRONMENT SOLUTION GROUP

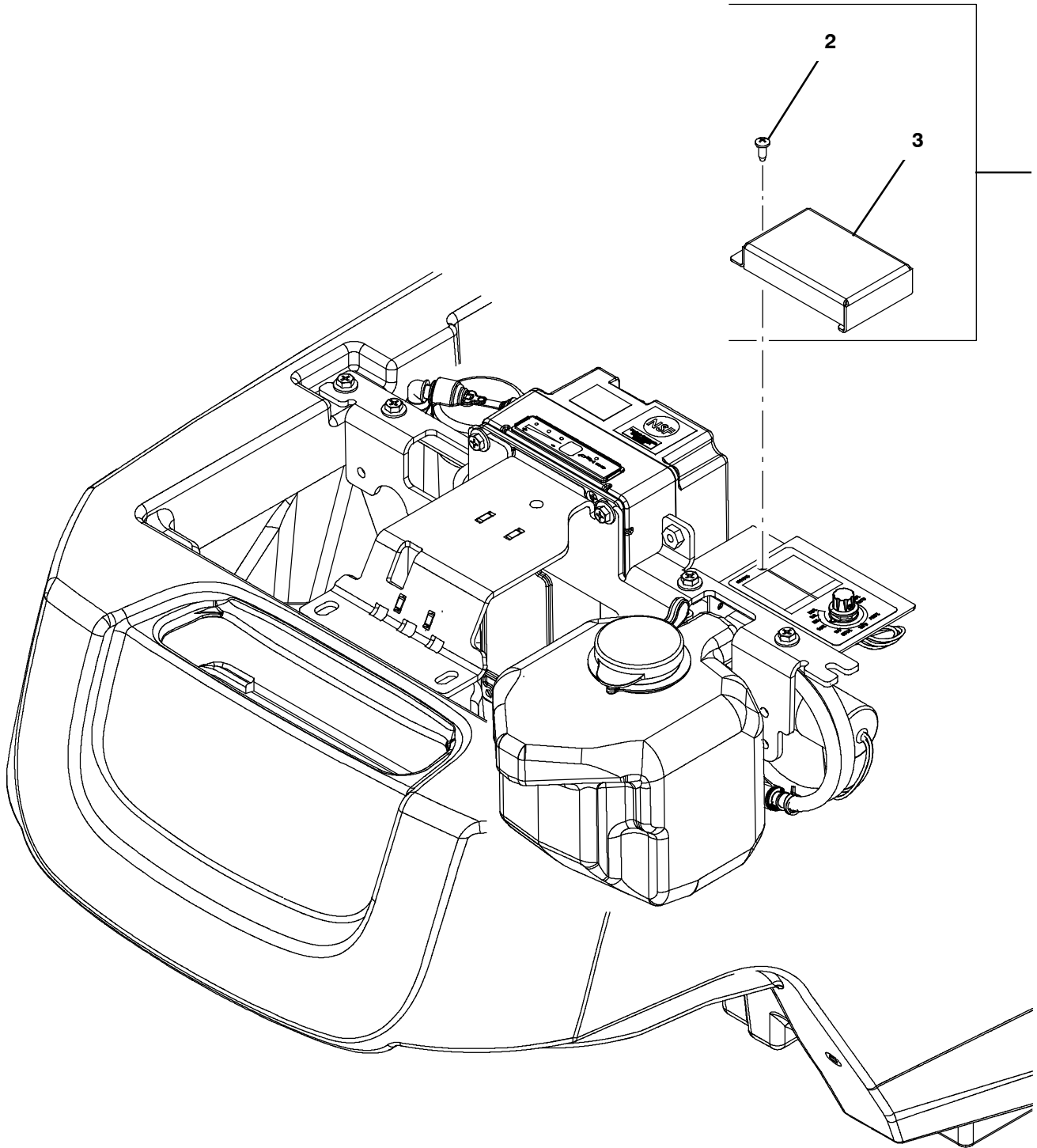
Ref.	Part No.	Serial Number	Description	Qty.
	1	17185	(10000000- 20000000) Screw, Pan, Phl, M5 X 0.80 X 40, Ss	2
▽	2	1215698	(10000000- 20000000) Pump Assy, Detgt, 24 Vdc [T300]	1
▲		1208721	(10000000- 20000000) Pump, Detgt, 24vdc, 120rpm	1
▲		1219077	(10000000- 20000000) Hose Kit, Detgt [0.5cc]	1
▲	3	1211775	(10000000- 20000000) Potentiometer [5k, W/Leads And Conn.]	1
	4	605064	(10000000- 20000000) Cap, Vinyl, 1.38 D 1.6l	1
	5	630265	(10000000- 20000000) Knob, Rnd, 0.75d 0.50l 0.25b, Plstc	1
	6	222607	(10000000- 20000000) Nut, Hex, Thin, .38- 32	1
	7	43953	(10000000- 20000000) Washer, Lock, Int, 0.38, Ss	1
	8	1034731	(10000000- 20000000) Screw, Hex, M6 X 1.00 X 16, Sems, Ss	2
	9	1221487	(10000000- 20000000) Bracket Wldt, Pump, Detgt [T500]	1
	10	613461	(10000000- 20000000) Hose, Pvc, Clr, 0.12id 0.25od 048.0l	1
	11	613735	(10000000- 20000000) Clamp, Hose, Wir, .40 - .42, Yel	4
	12	1006415	(10000000- 20000000) Hose, Afmkt, Pvc, Clr, 0.25id, 03ft	1
	13	1212855	(10000000- 20000000) Fitting, Plstc, Tee, Qf04/Qf06/Qf06	1
	14	1020168	(10000000- 20000000) Molding, Afmkt, Trim, Pvc, .08 .11, 01ft	1
	15	1057372	(10000000- 20000000) Cap, Snap, 2.17d (Black)	1
	16	1252606	(xxxxxxx- 20000000) Tank, 2.3l, Trimmed, Se	1
	16	1217453	(10000000- xxxxxxxx) Tank [2.5 Liter] (Replaced By 1252606)	1
	17	1212430	(10000000- 20000000) Sensor, Level, Liq, 30watt, Spst	1
	18	1212812	(10000000- 20000000) Fitting, Plstc, E90, Qf06/Pm06, Swivel	1
	19	150520	(10000000- 20000000) Fitting, Brs, Str, Bm04/Pf02	1
	20	150524	(10000000- 20000000) Fitting, Brs, Str, Bm02/Pm02	1
	21	1224989	(10000000- 20000000) Label, Detergent Metering Tank	1
	22	1210440	(10000000- 20000000) Label, Opertnl, Detergent Metering	1
	23	1212857	(10000000- 20000000) Fitting, Plstc, Str, Qm06/Bm04	3
	24	1243106	(10000000- 20000000) Plate, Shield, Switch	1

▽ ASSEMBLY

▲ INCLUDED IN ASSEMBLY

SEVERE ENVIRONMENT LOCKOUT KIT

355715



	Ref.	Part No.	Serial Number	Description	Qty.
▽	1	9017884	(10000000-20000000)	Lockout Kit, Severe Environment	1
▲	2	140350	(10000000-20000000)	Screw, Pan, Phl, 10- 16 X 0.50, Ss[Typ25]	1
▲	3	1239732	(10000000-20000000)	Cover, Knob, Severe Environment	1

▽ ASSEMBLY

▲ INCLUDED IN ASSEMBLY

DOCUMENTATION GROUP (ONLINE ONLY)

Ref.	Part No.	Serial Number	Description	Qty.
	9015222	(10000000- 20000000)	Manual, Parts [T500, Na]	1
	9015223	(10000000- 20000000)	Manual, Oprtr [T500, En, Na/Intl]	1
	9015500	(10000000- 20000000)	Manual, Oprtr [T500, Es, Na]	1
	9015501	(10000000- 20000000)	Manual, Oprtr [T500, Fr, Na]	1
	9015502	(10000000- 20000000)	Manual, Oprtr [T500, Ptbr]	1
	9015503	(10000000- 20000000)	Instr, Wall Chart [T500, Na]	1
	9015504	(10000000- 20000000)	Manual, Service [T500, En]	1

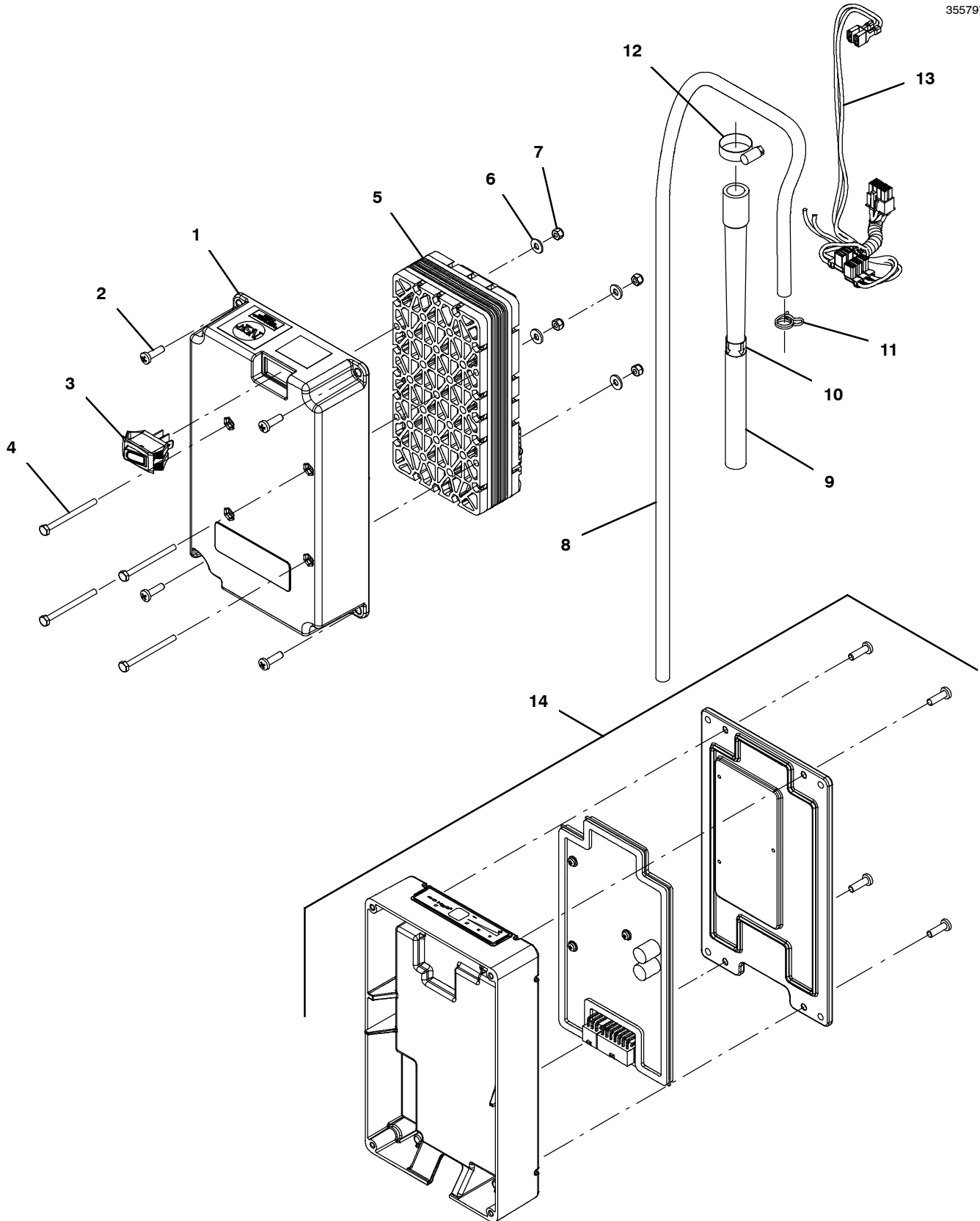


To view, print, order, download the latest Parts manual, other language Operator manuals, and Use and Care Guides (wall charts), visit:

www.tennantco.com/manual

ec- H2O NANOCLEAN MODULE BREAKDOWN 9020643, 9021553
(S/N 10983853 -)

355797



**ec- H2O NANOCLEAN MODULE BREAKDOWN 9020643, 9021553
(S/N 10983853 -)**

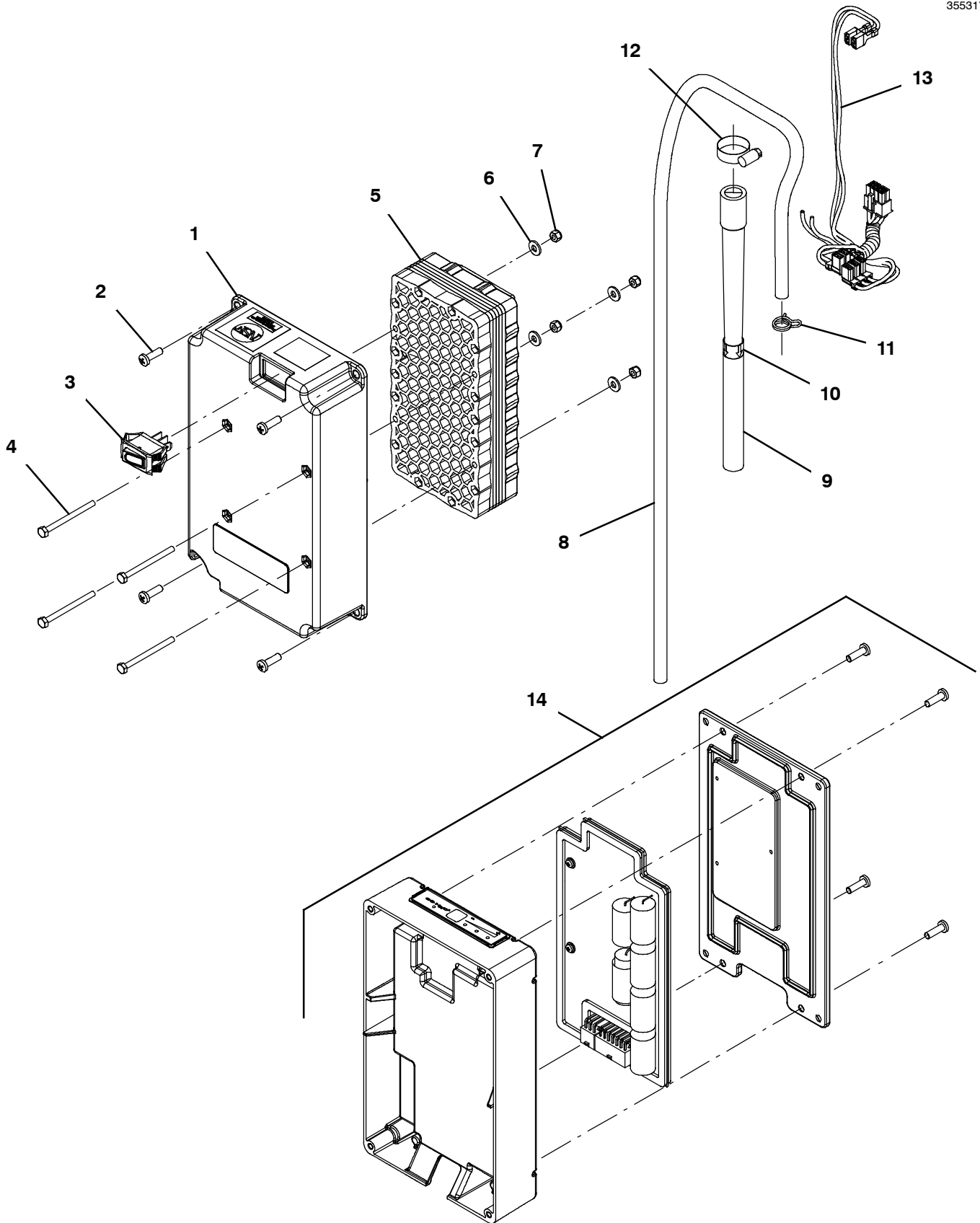
Ref.	Part No.	Serial Number	Description	Qty.
▽	9021553	(SEP2022- 20000000)	Module Kit, Replmt [Ec- H2o, B 02] (Includes ec- H2O NanoClean Cartridge)	1
▽	9020643	(10983853- AUG2022)	Module Kit, Replmt [Ec- H2o, B 02] (Replaced By 9021553) (Includes ec- H2O NanoClean Cartridge)	1
▲▽	9014126	(10000000- 20000000)	Ec- H2o Nc Kit [Module B, Plumbing]	1
▲▲	1 1208823	(10000000- 20000000)	Housing, Module, Upper, Ec- H2o	1
▲▲	2 1015506	(10000000- 20000000)	Screw, Pan, Phl, M5 X 16, Tcut [Plastic]	4
▲▲	3 1044393	(10000000- 20000000)	Switch, Rocker, Spst, Mom	1
▲▲	4 32509	(10000000- 20000000)	Screw, Hex, M4 X 0.70 X 50, Ss	4
▲▲	5 1233516	(10983853- 20000000)	Electrode, 5 Plate [De Nora Tech]	1
▲▲	6 41579	(10000000- 20000000)	Washer, Flat, 08, Ss	4
▲▲	7 33932	(10000000- 20000000)	Nut, Hex, Lock, M4 X 0.70, NI, Ss	4
▲▲	8 1006415	(10000000- 20000000)	Hose, Afrmkt, Pvc, Clr, 0.25id, 03ft	1
▲▲	9 1208526	(10000000- 20000000)	Hose, Molded, Bm08/Bm06	1
▲▲	10 1049637	(10000000- 20000000)	Label, Direction [Ec- H2o]	1
▲▲	11 613735	(10000000- 20000000)	Clamp, Hose, Wir, .40 - .42, Yel	1
▲▲	12 54333	(10000000- 20000000)	Clamp, Hose, Wormdrive, 0.31- 0.88d, .31w	1
▲▲	13 1073286	(10000000- 20000000)	Harness, Ele, Module B2 [Ec- H2o]	1
▲	14 9020642	(10983853- 20000000)	Controller Kit, Replmt [Ec- H2o Nc] (Includes ec- H2O NanoClean Cartridge)	1

▽ ASSEMBLY

▲ INCLUDED IN ASSEMBLY

ec- H2O NANOCLEAN MODULE BREAKDOWN 9011810
(S/N 10000000 - 10983852)

355317



**ec- H2O NANOCLEAN MODULE BREAKDOWN 9011810
(S/N 10000000 - 10983852)**

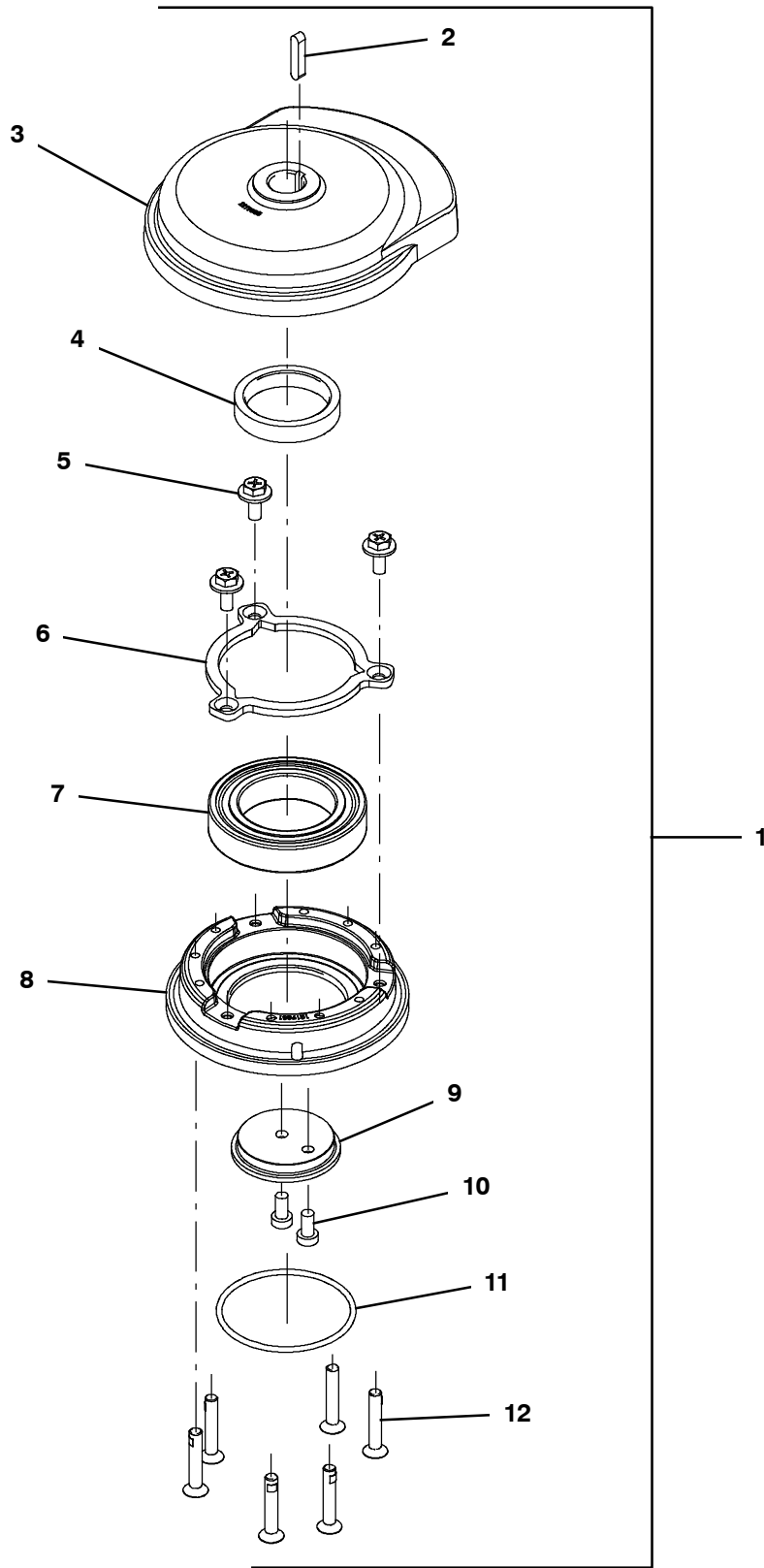
	Ref.	Part No.	Serial Number	Description	Qty.
▽		9011810	(10000000- 10983852)	Module Kit, Replmt [Ec- H2o, B 02] (Includes ec- H2O NanoClean Cartridge) (Replaced By 9021553)	1
▲▽		9014126	(10000000- 20000000)	Ec- H2o Nc Kit [Module B, Plumbing]	1
▲▲	1	1208823	(10000000- 20000000)	Housing, Module, Upper, Ec- H2o	1
▲▲	2	1015506	(10000000- 20000000)	Screw, Pan, Phl, M5 X 16, Tcut [Plastic]	4
▲▲	3	1044393	(10000000- 20000000)	Switch, Rocker, Spst, Mom	1
▲▲	4	32509	(10000000- 20000000)	Screw, Hex, M4 X 0.70 X 50, Ss	4
▲▲	5	1208164	(10000000- 10983852)	Electrode, 5 Plate, High Flow (Replaced By 1233516)	1
▲▲	6	41579	(10000000- 20000000)	Washer, Flat, 08, Ss	4
▲▲	7	33932	(10000000- 20000000)	Nut, Hex, Lock, M4 X 0.70, NI, Ss	4
▲▲	8	1006415	(10000000- 20000000)	Hose, Afrmkt, Pvc, Clr, 0.25id, 03ft	1
▲▲	9	1208526	(10000000- 20000000)	Hose, Molded, Bm08/Bm06	1
▲▲	10	1049637	(10000000- 20000000)	Label, Direction [Ec- H2o]	1
▲▲	11	613735	(10000000- 20000000)	Clamp, Hose, Wir, .40 - .42, Yel	1
▲▲	12	54333	(10000000- 20000000)	Clamp, Hose, Wormdrive, 0.31- 0.88d, .31w	1
▲▲	13	1073286	(10000000- 20000000)	Harness, Ele, Module B2 [Ec- H2o]	1
▲	14	9014127	(10000000- 10983852)	Controller Kit, Replmt [Ec- H2o Nc] (Includes ec- H2O NanoClean Cartridge) (Replaced By 9020642)	1

▽ ASSEMBLY

▲ INCLUDED IN ASSEMBLY

ORBITAL HEAD ECCENTRIC DRIVE BREAKDOWN

355477



ORBITAL HEAD ECCENTRIC DRIVE BREAKDOWN

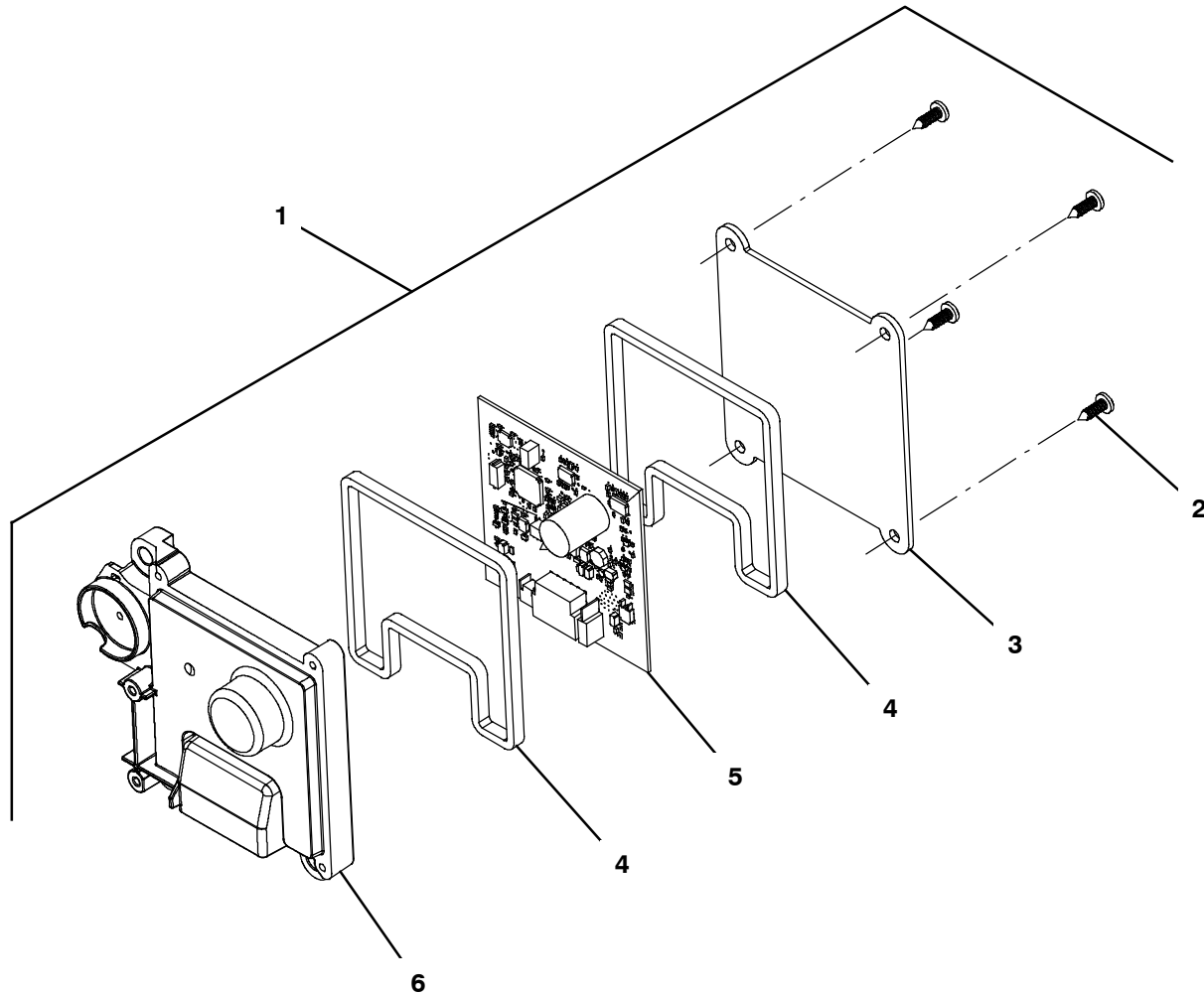
	Ref.	Part No.	Serial Number	Description	Qty.
▽	1	9015774	(10000000- 20000000)	Eccentric Drive Kit, Orbital	1
▲	2	1231238	(10000000- 20000000)	Key, Sq, 5mm X 5mm X 22mm	1
▲	3	N/A	(10000000- 20000000)	Balance, Eccentric, Step [Machined]	1
▲	4	N/A	(10000000- 20000000)	Spacer, Eccentric	1
▲	5	N/A	(10000000- 20000000)	Screw, Hex, M6 X 1.00 X 16, Sems	3
▲	6	N/A	(10000000- 20000000)	Plate, Retainer, Brg, Outer	1
▲	7	1220452	(10000000- 20000000)	Bearing, Ball, 2.17b 3.54d .71w	1
▲	8	N/A	(10000000- 20000000)	Housing, Bearing, Outer [Machined]	1
▲	9	N/A	(10000000- 20000000)	Retainer, Bearing, Inner [Qpq]	1
▲	10	N/A	(10000000- 20000000)	Screw, Soc, M6 X 1.00 X 12, 8.8, Low	2
▲	11	1221394	(10000000- 20000000)	Seal, Org, .125 X 02.63id	1
▲	12	1212710	(10000000- 20000000)	Screw, Flt, Soc, M6 X 1.00 X 35, 10.9,NI	6

▽ ASSEMBLY

▲ INCLUDED IN ASSEMBLY

AUTOMATIC BATTERY WATERING MODULE BREAKDOWN

355564



	Ref.	Part No.	Serial Number	Description	Qty.
▽	1	9016770*	(10995399-20000000)	Controller Kit, Battery, 24vdc, Ci [Abw]	1
▽	1	9018008	(10000000-10995398)	Kit, Module, Abw, Ci (Replaced By 9016770)	1
▲	2	1018155	(10000000-20000000)	Screw, Pan, Phl, M5 X 0.80 X 16, Tcut, Ss	4
▲	3	1223055	(10000000-20000000)	Panel, Mtg, Fill, Auto, Battery	1
▲	4	1223286	(10000000-20000000)	Seal, Cover, Board, Battery Watering	2
▲	5	1220931	(10000000-20000000)	Circuitboard Assy [Abw Module]	1
▲	6	1223261	(10000000-20000000)	Cover, Circuitboard, Battery Watering	1

* Requires Tennant *True* service or an authorized Tennant service provider.

▽ ASSEMBLY

▲ INCLUDED IN ASSEMBLY

