



# New!

## ProTeam® GoFit™ Vacuums

Introducing the new ProTeam® GoFit Series from Emerson. It's our latest backpack vacuum in our legacy lineup, which combines decades of experience, user insights and innovative engineering.

This completely reimagined, reshaped and remarkable line is the ultimate cleaning solution with a 3, 6, 6 PLUS or 10-quart option, a patented GoFit FlexFit® harness and our ProLevel Filtration® system.

Learn more today and start experiencing the power of productivity and freedom with GoFit. Visit: [proteam.emerson.com/gofit](http://proteam.emerson.com/gofit)

 ProTeam®



# ProTeam GoFit™ 10

## 107688\* GoFit 10 w/Xover Telescoping Wand Kit D (107100) **\$720**

The 10-quart GoFit combines ProTeam's innovative quick-adjust harness with a large capacity triangular shape capable of capturing sizeable debris. Plus, it provides comfort and ease of use as its weight is evenly distributed. That means, no matter how you move, you'll experience better balance.



### Specifications

Weight:	12.9 lbs. / 5.85 kg.
Motor Airflow:	153 CFM
Static Lift:	91 in.
Motor:	1330 W / 11.7 A
Decibel:	67.2 dBA
Capacity:	10 qt. / 11 L
ProLevel Filtration® w/Four Levels of Filtration:	1372 sq. in. total area

### \*\*ProLevel Filtration System with HEPA Media

Captures 99.86% at 0.3-.5 microns per ASTM F3150

### Limited Warranty

- 3 years parts, labor and motor on vacuum
- Limited lifetime on molded body parts



**NO TOOLS  
REQUIRED**



**ERGONOMIC**



**CLEANING  
FOR HEALTH**

### \*Standard Configuration

14" Xover Floor Tool	3" Dust Brush
Telescoping Wand	17" Crevice Tool
5" Upholstery Tool	

### Related Products

107313 Intercept Micro Filters, 10/pk (open collar)	\$27.32
107680 Intercept Micro Filters, 10/pk (closed collar)	38.00

### Optional Configurations

107689 w/Xover Two-Piece Wand Tool Kit B (107098)	\$720
107690 w/ProBlade Carpet Floor Tool Kit (107530)	720
107691 w/ProBlade Carpet and Hard Surface Floor Tool Kit (107532)	795
107692 w/15" Carpet Sidewinder Kit A (106820)	740
107693 w/18" Carpet Sidewinder Kit B (106841)	765
107694 w/15" Carpet and Hard Surface Sidewinder Kit C (107463)	805
107695 w/Remediation Kit (107466)	785
107735 w/Xover Performance Telescoping Wand Tool Kit C (107099)	720
107751 w/Two-Piece Wand (101338) and Xover Tool (107016)	695
107752 w/Telescoping Wand (107628) and Xover Tool (107016)	700

\*\*The filtration value of ProTeam's ProLevel Filtration System in this vacuum is achieved by the use of a multi-stage filtration system, including intercept micro filter, micro cloth filter, plastic cage with foam filter, and post-motor filter made from HEPA media, as tested per ASTM F3150. Specification calculations are based on average motor performance.





**CERTIFIED GOLD**



GoFit 6

GoFit 6 PLUS



**ERGONOMIC**



**QUICK ADJUST HARNESS**



**FILTER INDICATOR LIGHT**

\*GoFit 6 PLUS Only

### \*Standard Configuration

14" Xover Floor Tool	3" Dust Brush
Telescoping Wand	17" Crevice Tool
5" Upholstery Tool	

### Related Products

107314 Intercept Micro Filters, 10/pk (open collar)	\$22.58
107374 Intercept Micro Filters, 10/pk (closed collar)	28.59

### GoFit 6 Optional Configurations

107697 w/Xover Two-Piece Wand Tool Kit B (107098)	\$710
107698 w/ProBlade Carpet Floor Tool Kit (107530)	710
107699 w/ProBlade Carpet and Hard Surface Floor Tool Kit (107532)	785
107700 w/15" Carpet Sidewinder Kit A (106820)	725
107701 w/18" Carpet Sidewinder Kit B (106841)	755
107702 w/15" Carpet and Hard Surface Sidewinder Kit C (107463)	795
107703 w/Remediation Kit (107466)	775
107704 w/Pest Management Tool Kit (103439)	935
107736 w/Xover Performance Telescoping Wand Tool Kit C (107099)	710
107749 w/Two-Piece Wand (101338) and Xover Tool (107016)	685
107750 w/Telescoping Wand (107628) and Xover Tool (107016)	690

### GoFit 6 PLUS Optional Configurations

107706 w/Xover Two-Piece Wand Tool Kit B (107098)	\$750
107707 w/ProBlade Carpet Floor Tool Kit (107530)	750
107708 w/ProBlade Carpet and Hard Surface Floor Tool Kit (107532)	825
107709 w/15" Carpet Sidewinder Kit A (106820)	770
107710 w/18" Carpet Sidewinder Kit B (106841)	795
107711 w/15" Carpet and Hard Surface Sidewinder Kit C (107463)	835
107712 w/Remediation Kit (107466)	815
107737 w/Xover Performance Telescoping Wand Tool Kit C (107099)	750

# ProTeam GoFit™ 6 / GoFit 6 PLUS

**107696\* GoFit 6 w/Xover Telescoping Wand Kit D (107100) \$710**  
**107705\* GoFit 6 PLUS w/Xover Telescoping Wand Kit D (107100) \$750**

ProTeam's latest commercial vacuum cleaner series includes the GoFit 6 and the GoFit 6 PLUS. Both offer unparalleled productivity and comfort experienced in the quick-adjust harness and high-level filtration. And, unique to the 6 PLUS is a filter change indicator light that shows when there's a clog or when the filter needs to be checked/changed.



### Specifications

Weight:	12 lbs. / 5.44 kg.
Motor Airflow:	153 CFM
Static Lift:	91 in.
Motor:	1330 W / 11.7 A
Decibel:	67.9 dBA
Capacity:	6 qt. / 6,6 L
ProLevel Filtration® w/Four Levels of Filtration:	1054 sq. in. total area

### \*\*ProLevel Filtration System with HEPA Media

Captures 99.82% at 0.3-.5 microns per ASTM F3150

### Limited Warranty

- 3 years parts, labor and motor on vacuum
- Limited lifetime on molded body parts

\*\*The filtration value of ProTeam's ProLevel Filtration System in this vacuum is achieved by the use of a multi-stage filtration system, including intercept micro filter, micro cloth filter, plastic cage with foam filter, and post-motor filter made from HEPA media, as tested per ASTM F3150. Specification calculations are based on average motor performance.



**CERTIFIED  
GOLD**

# ProTeam GoFit™ 3

## 107713\* GoFit 3 w/Xover Telescoping Wand Kit D (107100) \$700

Packed with the same power and efficiency, the 3-quart GoFit delivers big power for those with a smaller frame. This cleaning solution tool is also perfect for those new to commercial backpack vacuums. And, get a customized fit with the vacuum's new quick-adjust harness, making it easy to adjust the height to personalized needs.



### Specifications

Weight:	11.4 lbs. / 5.17 kg.
Motor Airflow:	153 CFM
Static Lift:	91 in.
Motor:	1330 W / 11.7 A
Decibel:	68 dBA
Capacity:	3 qt. / 3,3 L
ProLevel Filtration® w/Four Levels of Filtration:	863.8 sq. in. total area

### \*\*ProLevel Filtration System with HEPA Media

Captures 99.79% at 0.3-.5 microns per ASTM F3150

### Limited Warranty

- 3 years parts, labor and motor on vacuum
- Limited lifetime on molded body parts



**ERGONOMIC**



**CLEANING  
FOR HEALTH**



**EASY  
MAINTENANCE**

### \*Standard Configuration

14" Xover Floor Tool	3" Dust Brush
Telescoping Wand	17" Crevice Tool
5" Upholstery Tool	

### Related Products

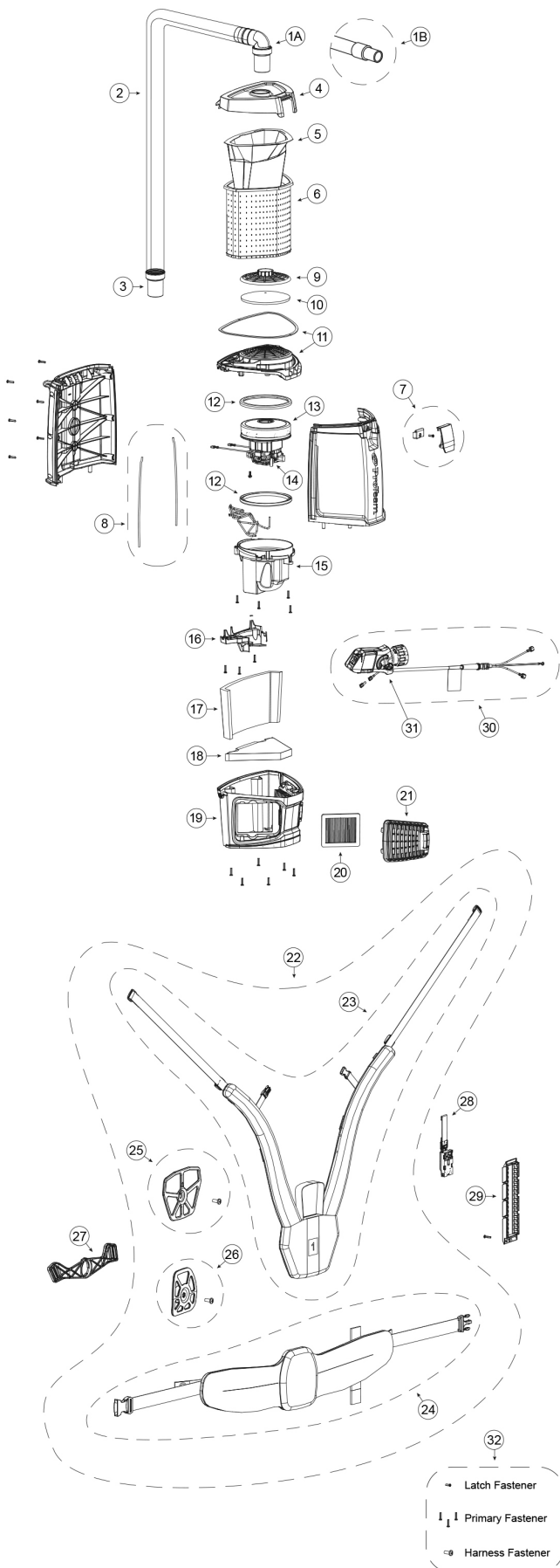
107666 Intercept Micro Filters, 10/pk (open collar)	\$19.67
107667 Intercept Micro Filters, 10/pk (closed collar)	26.80

### Optional Configurations

107714 w/Xover Two-Piece Wand Tool Kit B (107098)	\$700
107715 w/ProBlade Carpet Floor Tool Kit (107530)	700
107716 w/ProBlade Carpet and Hard Surface Floor Tool Kit (107532)	775
107726 w/Restaurant Kit (100727)	715
107738 w/Xover Performance Telescoping Wand Tool Kit C (107099)	700
107747 w/Two-Piece Wand (101338) and Xover Tool (107016)	675
107748 w/Telescoping Wand (107628) and Xover Tool (107016)	680

\*\*The filtration value of ProTeam's ProLevel Filtration System in this vacuum is achieved by the use of a multi-stage filtration system, including intercept micro filter, micro cloth filter, plastic cage with foam filter, and post-motor filter made from HEPA media, as tested per ASTM F3150. Specification calculations are based on average motor performance.

# GOFIT 3, 6, 6 PLUS & 10 PARTS



No.	Product Name	Qty	List Price
1A	101928 Replacement Double Swivel Elbow Cuff	1 ea.	13.13
1B	100694 Replacement Double Swivel Straight Cuff	1 ea.	7.83
2	107648 48" Static-Dissipating Hose w/Non-Replaceable Elbow and Straight Cuffs	1 ea.	39.67
	100505 48" Static-Dissipating Hose w/ Straight Cuffs	1 ea.	37.92
3	100694 Replacement Double Swivel Straight Cuff	1 ea.	7.83
4	843694 Purple Cap	1 ea.	36.47
5	107313 Intercept Micro Filter (GoFit 10)	10/pk	27.32
	107314 Intercept Micro Filter (GoFit 6)	10/pk	22.58
	107666 Intercept Micro Filter (GoFit 3)	10/pk	19.67
6	834000 Micro Cloth Filter (GoFit 10)	1 ea.	42.86
	834072 Micro Cloth Filter (GoFit 6)	1 ea.	35.40
	843966 Micro Cloth Filter (GoFit 3)	1 ea.	32.25
7	510779 Latch Assembly Complete w/ Retainer and Screw	1 ea.	8.74
8	834035-5 Gasket Tank 10 QT	2 ea.	3.68
	834035-3 Gasket Tank 6 QT	2 ea.	3.68
	834035-4 Gasket Tank 3 QT	2 ea.	3.68
9	510183 Dome Filter w/ Foam Media (includes: 10)	1 set	11.43
10	510184 Foam Filter Media for Dome Filter	1 ea.	3.48
11	510777 Upper Motor Support w/ Gasket	1 ea.	16.94
12	510780 Motor Gaskets Upper and Lower	1 ea.	4.77
13	844193 Motor Assembly 1300W	1 ea.	158.22
	844545 Motor Assembly with Lead (GoFit 6 PLUS)	1 ea.	162.96
14	841933 Carbon Brush Set	2 ea.	30.37
15	510781 Lower Motor Support w/ Screws	1 set	11.03
16	510776 Cover Wire w/ Screws	1 set	5.36
17	843963 Upper Foam Pad	1 ea.	3.80
18	843964 Lower Foam Pad	1 ea.	3.76
19	510778 Lower Housing Assembly w/ Screws	1 set	25.01
20	844488 Exhaust Filter Made from HEPA Media	2 ea.	16.73
21	843848 Exhaust Filter Door	1 ea.	9.24
22	844073 Harness Complete Assembly	1 ea.	101.36
23	844665 Upper Harness Assembly	1 ea.	51.03
24	843939 Lower Harness Assembly	1 ea.	49.93
25	510771 Upper Harness Plate w/ Screw	1 ea.	9.01
26	510772 Lower Harness Plate w/ Screw	1 ea.	9.15
27	843842 Lower Harness Articulating Arm	1 ea.	7.42
28	843947 Harness Quick Adjuster Assembly	1 ea.	8.54
29	510773 Harness Quick Adjust Holder w/ Screw (GoFit 10)	1 set	7.54
	510774 Harness Quick Adjust Holder w/ Screw (GoFit 6)	1 set	7.54
	510775 Harness Quick Adjust Holder w/ Screw (GoFit 3)	1 set	7.54
30	844156 Switch Box Assembly	1 ea.	47.44
	844156-2 Switchbox Assembly w/ Internal Electronics (GoFit 6 PLUS)	1 ea.	77.28
31	510782 Yellow Cord Guide w/ Screws	1 ea.	9.98
32	510783 Fastener Package	1 ea.	4.59
	101678 50' Extension Cord (Not shown)	1 ea.	48.66

Highlighted SKUs are shared parts with Super Coach Pro 6/10 vacuums