

# ONYX

TECHNOLOGY POWERING A CLEANER FUTURE



**RX20**  
RIDE-ON FLOOR SCRUBBER

## ILLUSTRATED PARTS LIST

# TABLE OF CONTENTS

<b>Brush and cleaning pad set</b>	3
<b>Recovery Tank Group</b>	5
<b>Solution Tank Group</b>	7
<b>Head Group</b>	9
<b>Control Panel Group</b>	11
<b>Battery Group</b>	12
<b>Base Group</b>	13
<b>Drain Group</b>	14
<b>Front Wheel Group</b>	15
<b>Rear Wheel Group</b>	17
<b>Brush Lifting Group</b>	18
<b>Brush Assembly Group</b>	19
<b>Squeegee Lifting Group</b>	21
<b>Squeegee Group</b>	23
<b>Wiring Diagram</b>	25
<b>Notes</b>	26

## **How to order spare parts:**

Parts and supplies may be ordered by phone, by fax or by email.

- A. Identify the machine model
- B. Identify the machine serial number
- C. Provide the part number and quantity

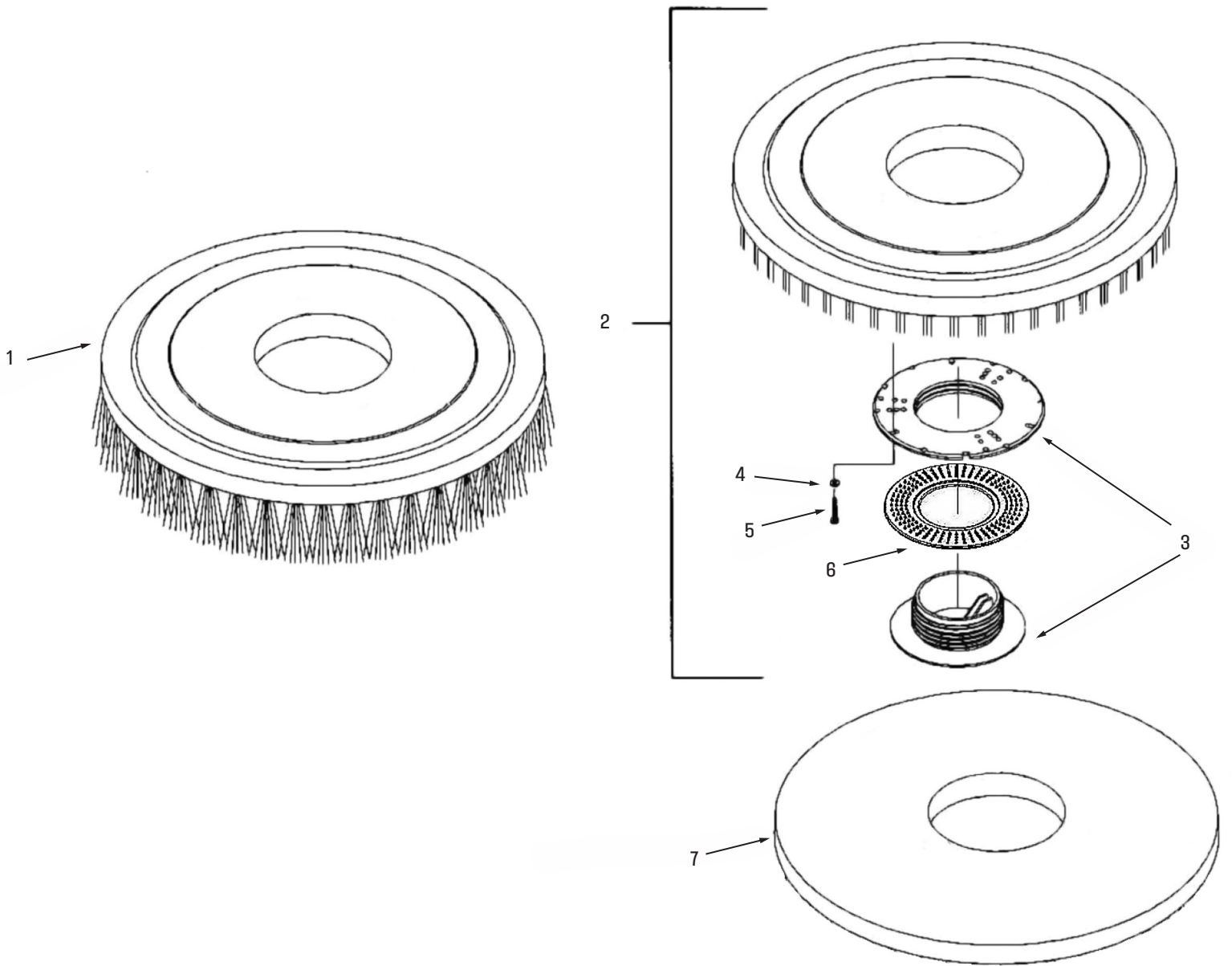
Provide your detail logistic information

Provide your name, company name, shipping address, phone number and purchase order number.



12605 Commerce Station Dr • Suite 700  
Huntersville, NC 28078  
704.827.9368

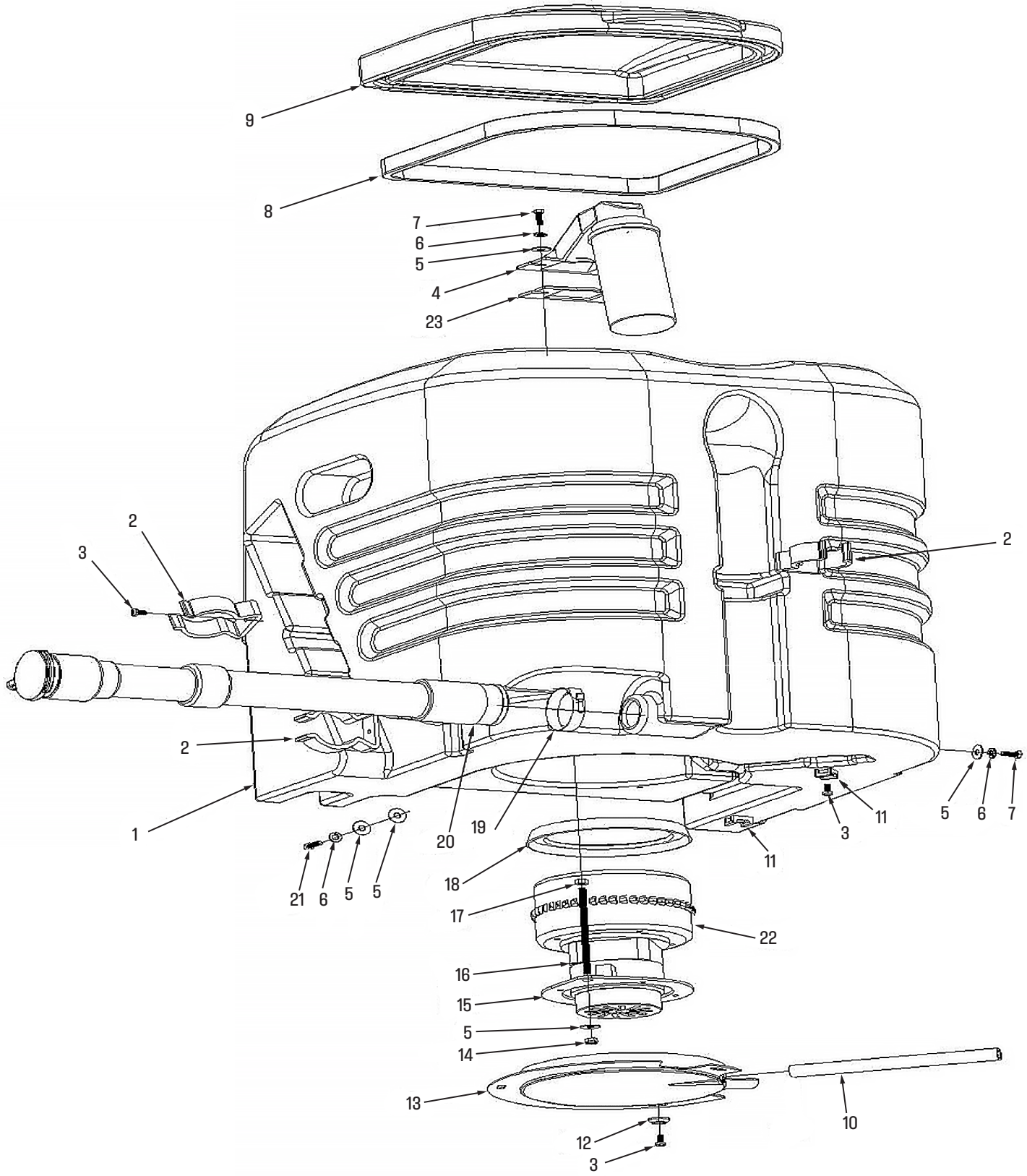
# BRUSH AND CLEANING PAD SET



# BRUSH AND CLEANING PAD SET

No	Part No.	Description	Qty
1	W10846	Brush 50cm/20inch-1	1
2	W10847	Pad drive assy-1	1
3	W10848	Device, centering-1	1
4	For Reference	Washer D4D9	3
5	For Reference	Screw M4X15	3
6	W12166	Washer, centering-1	1
7	W11017	Pad, polishing, white-1	1
7	W11018	Pad, scrubbing, red-1	1
7	W11019	Pad, stripping, black-1	1

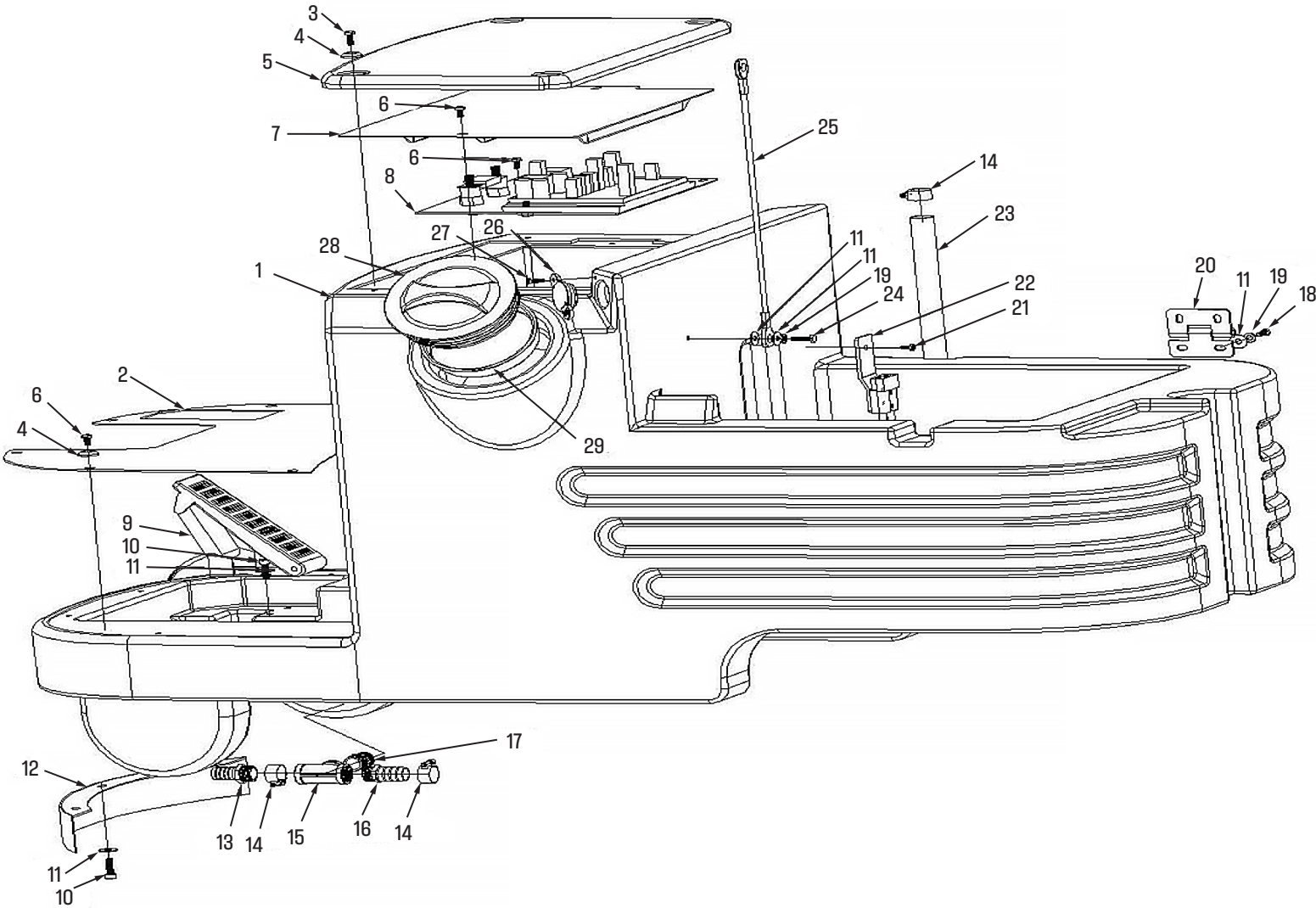
# RECOVERY TANK GROUP



# RECOVERY TANK GROUP

No	Part No.	Description	Qty
1	W12170	Recovery Tank	1
2	W10839	Pipe Clip-1	3
3	For Reference	Screw M5X10	8
4	W11006	Float Ball Assy-1	1
5	For Reference	WasherD6xD18	10
6	For Reference	Spring washer D6	7
7	For Reference	Screw M5 15	6
8	W10825	Seal, Recovery tank cover	1
9	W12174	Recovery Tank Lid	1
10	W12175	Drain Pipe D15-D10-200	1
11	W12176	Fixing Bracket,	2
12	For Reference	WasherD5-D20-5	3
13	W12177	Acoustic box	1
14	For Reference	Nut M6	3
15	W12178	Bracket, vacuum motor	1
16	For Reference	Screw M6X110	1
17	For Reference	Nut M6	1
18	W12179	Seal, vacuum motor	1
19	W12180	Clip D40-D64	1
20	W12181	Drainage Pipe D38-1000	1
21	For Reference	Screw M6x20	1
22	W12182	Vacuum motor24V-1	1
23	W11011	Seal, Float Assy-1	1

# SOLUTION TANK GROUP

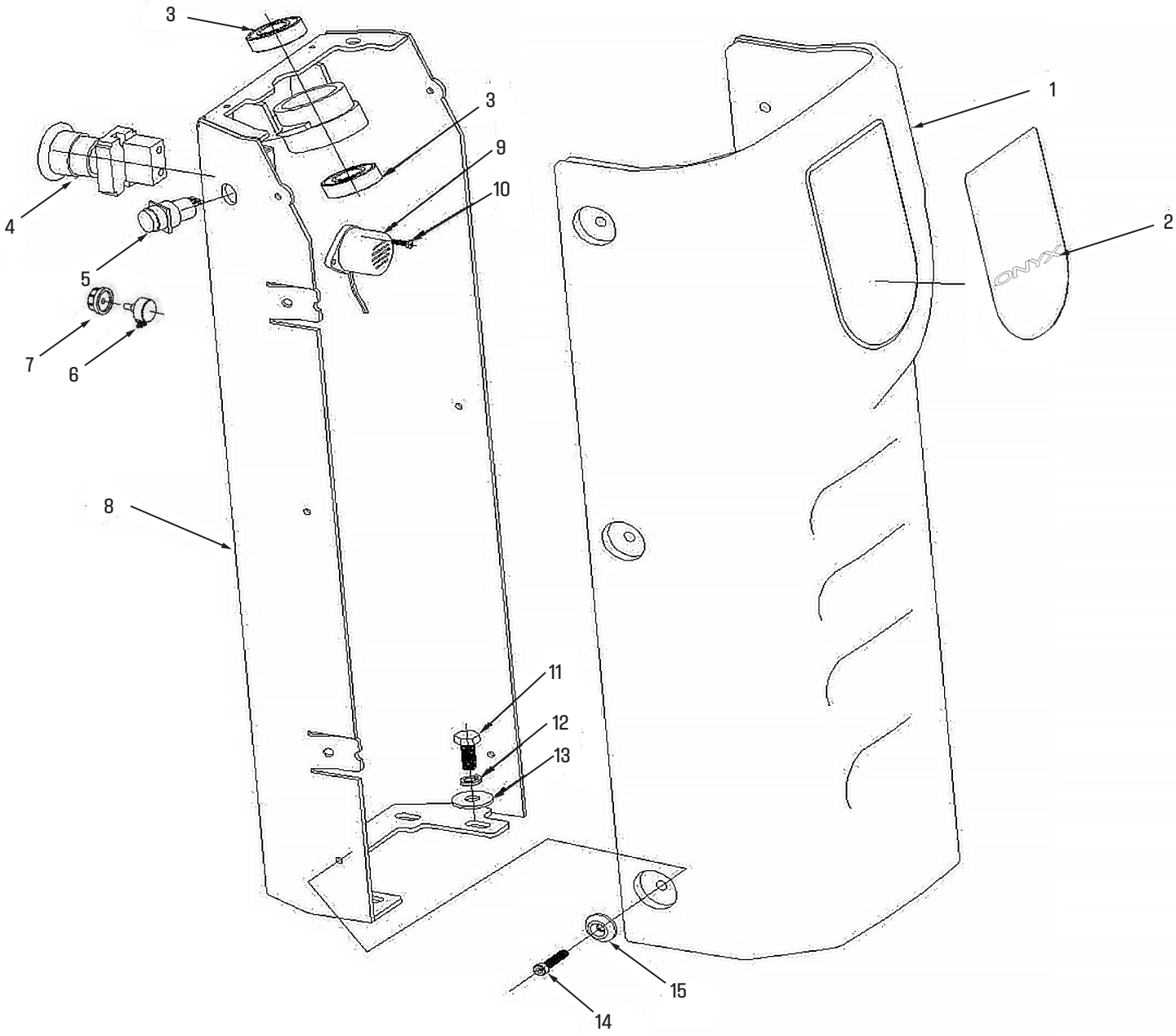


# SOLUTION TANK GROUP

No	Part No.	Description	Qty
1	W12184	Solution Tank	1
2	W12185	Floor Plate	1
3	For Reference	Screw M5X10	4
4	For Reference	Washer D5-D20-5	10
5	W12186	Seat Cushion	1
6	For Reference	Screw M5X15	9
7	W12187	Circuit Board Cover Plate	1
8	W12188	Circuit Board	1
9	W12189	Accelerator Pedal	1
10	For Reference	Screw M6x20	5
11	For Reference	Washer D6xD18	11
12	W12190	Bumper, front	1
13	W12191	G1/2-D16 Joint	1
14	W12192	Clip D16-D25	2
15	W12193	G1/2 Tee Joint	1
16	W12194	G1/2-D19 Joint	1
17	For Reference	Screw G1/2-G1/2	1
18	For Reference	Screw M5 15	4
19	For Reference	Spring Washer D6	5
20	W12195	Hinge-66-38	2
21	For Reference	Screw M4X10	1
22	W12196	Socket -1	1
23	W12197	Pipe for water level D23-D19-760	1
24	For Reference	Screw M5x20	1
25	W12198	Cable, solution Tank	1
26	W12199	Cap, solution Tank	1
27	For Reference	Screw M4x15	1
28	W12200	Cover, solution Tank	1
29	W12201	Filter, fresh water D112	1



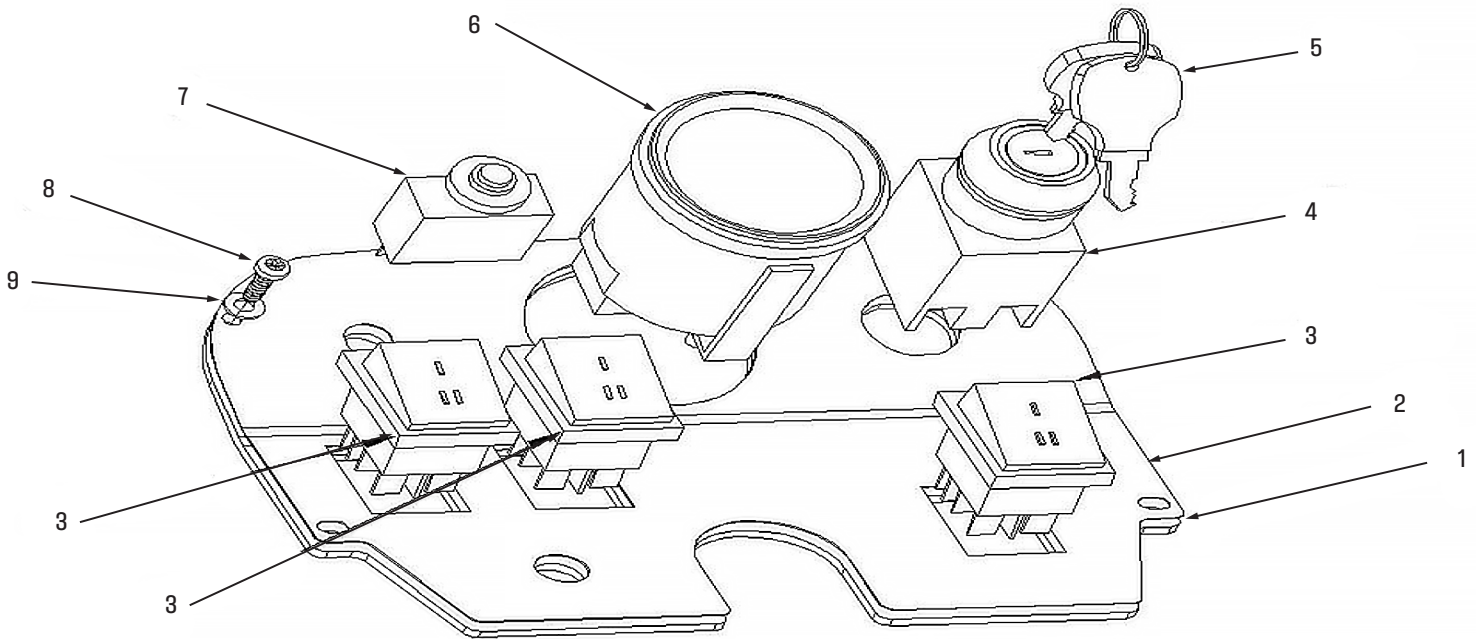
# HEAD GROUP



# HEAD GROUP

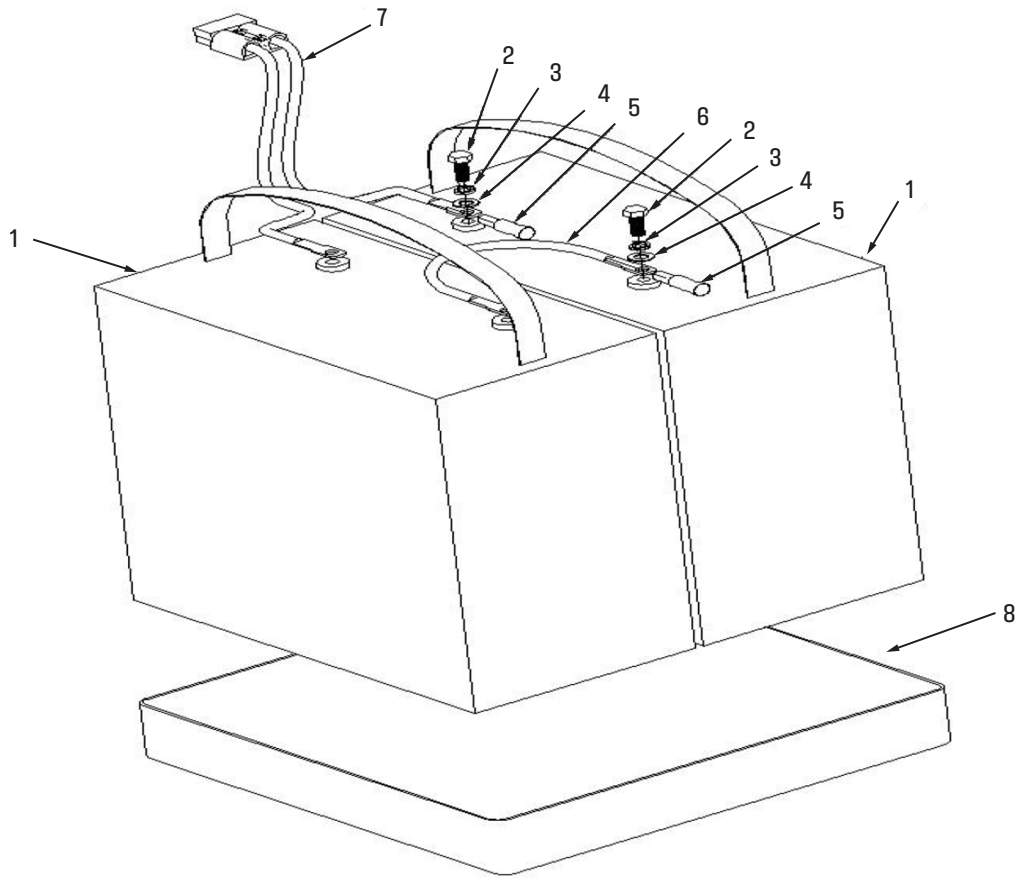
No	Part No.	Description	Qty
1	W12202	Front Plastic Panel	1
2	W12203	RX20 Front ONYX Logo	1
3	W12204	Bearing 6003-D35D17-10	2
4	W12205	Button for Emergency stop	1
5	W12325	Alarming Button	1
6	W12323	Speed Control	1
7	W12324	Thumb Turn Knob	1
8	W12208	Dash Board Support Plate	1
9	W12209	Buzzer-1	1
10	For Reference	ScrewM5X10	2
11	For Reference	ScrewM8x20	4
12	For Reference	Spring Washer D10	4
13	For Reference	Washer D8xD24	4
14	W12210	Screw M5x25	6
15	W12211	Washer D5-D20-5	6

# CONTROL PANEL



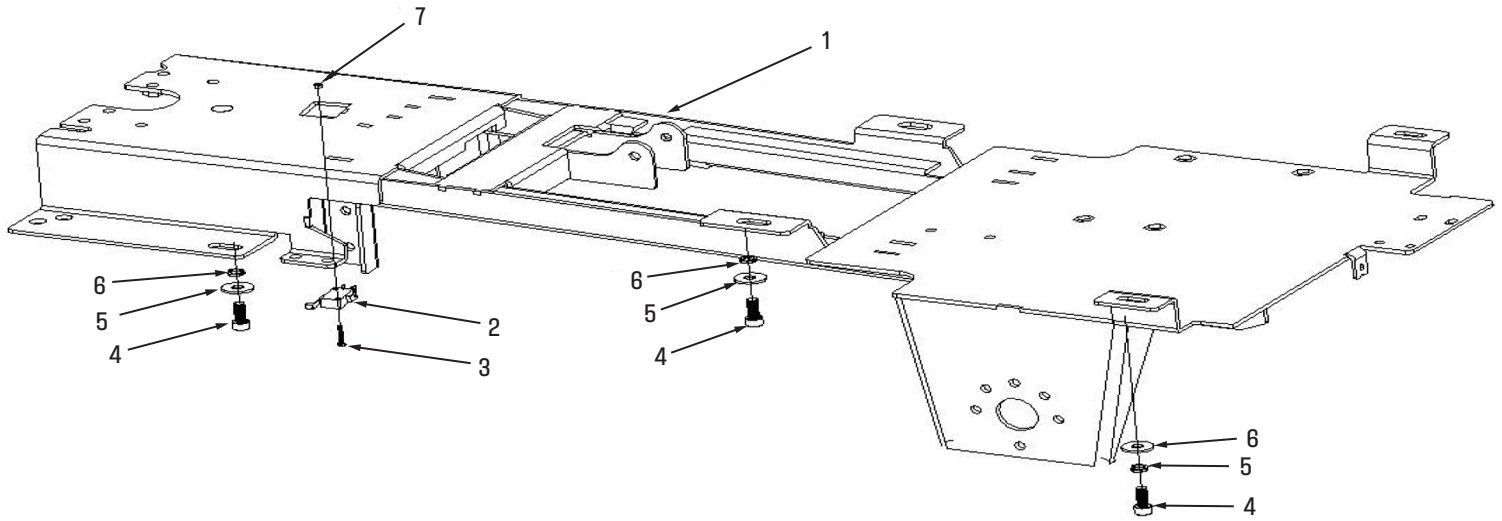
No	Part No.	Description	Qty
1	W12212	Panel	1
2	W12213	Panel Label	1
3	W10840	Toggle Switch	3
4	W10817	Lock with Key	1
5	W10853	Key	1
6	W12217	Electricity Meter-1	1
7	W12218	Thermal Protection Button	1
8	For Reference	Screw M4x15	4
9	For Reference	Washer D4xD9	4

# BATTERY GROUP



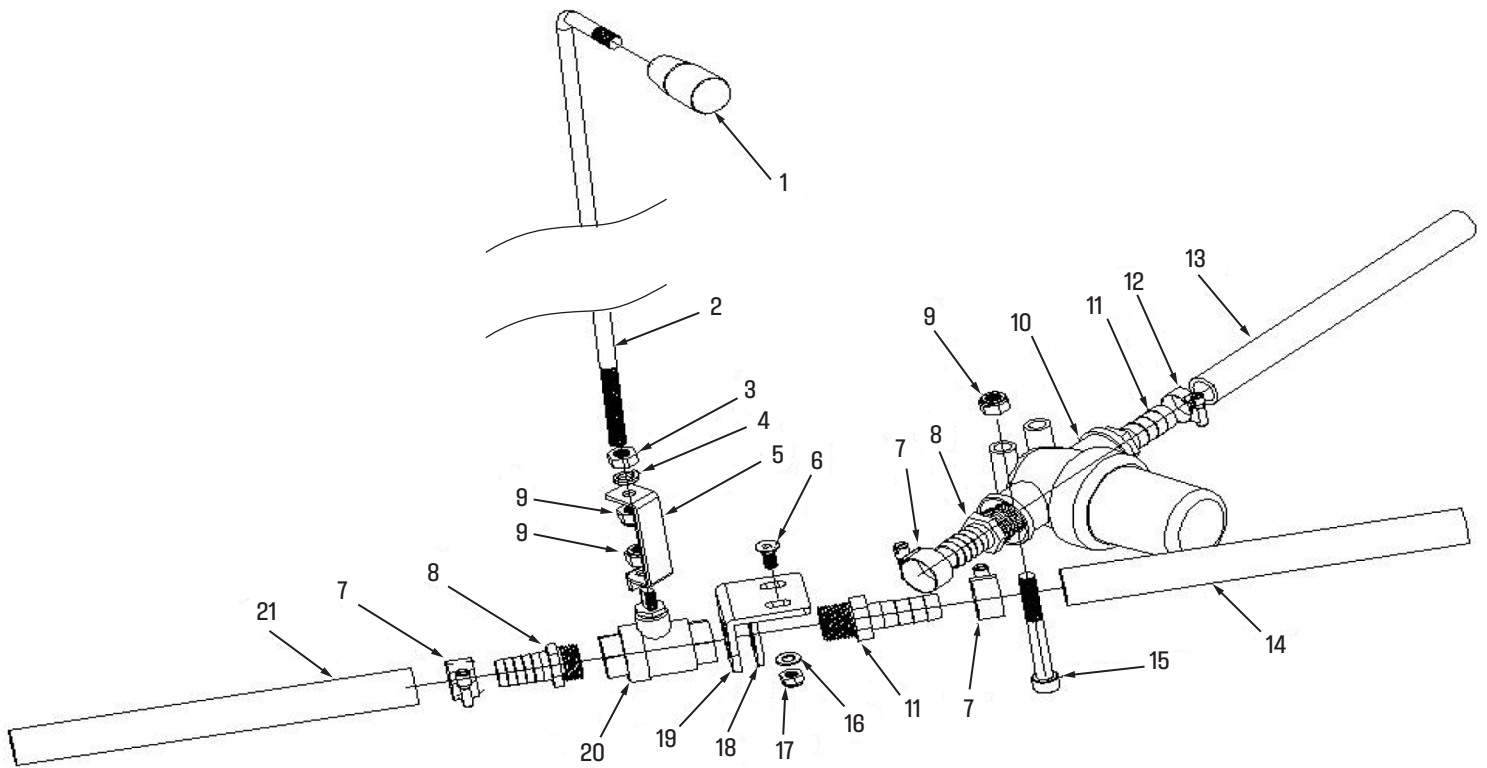
No	Part No.	Description	Qty
1	W12220	Battery 12Vx2-01	2
2	For Reference	Screw M8x20	4
3	For Reference	Spring Washer D8	4
4	For Reference	Washer D8xD16	4
5	W12221	Rubber Battery Cable Cap	4
6	W12222	Battery Connector Cable	1
7	W12223	Battery to Machine Cable	1
8	W12224	Battery Tray	1

# BASE GROUP



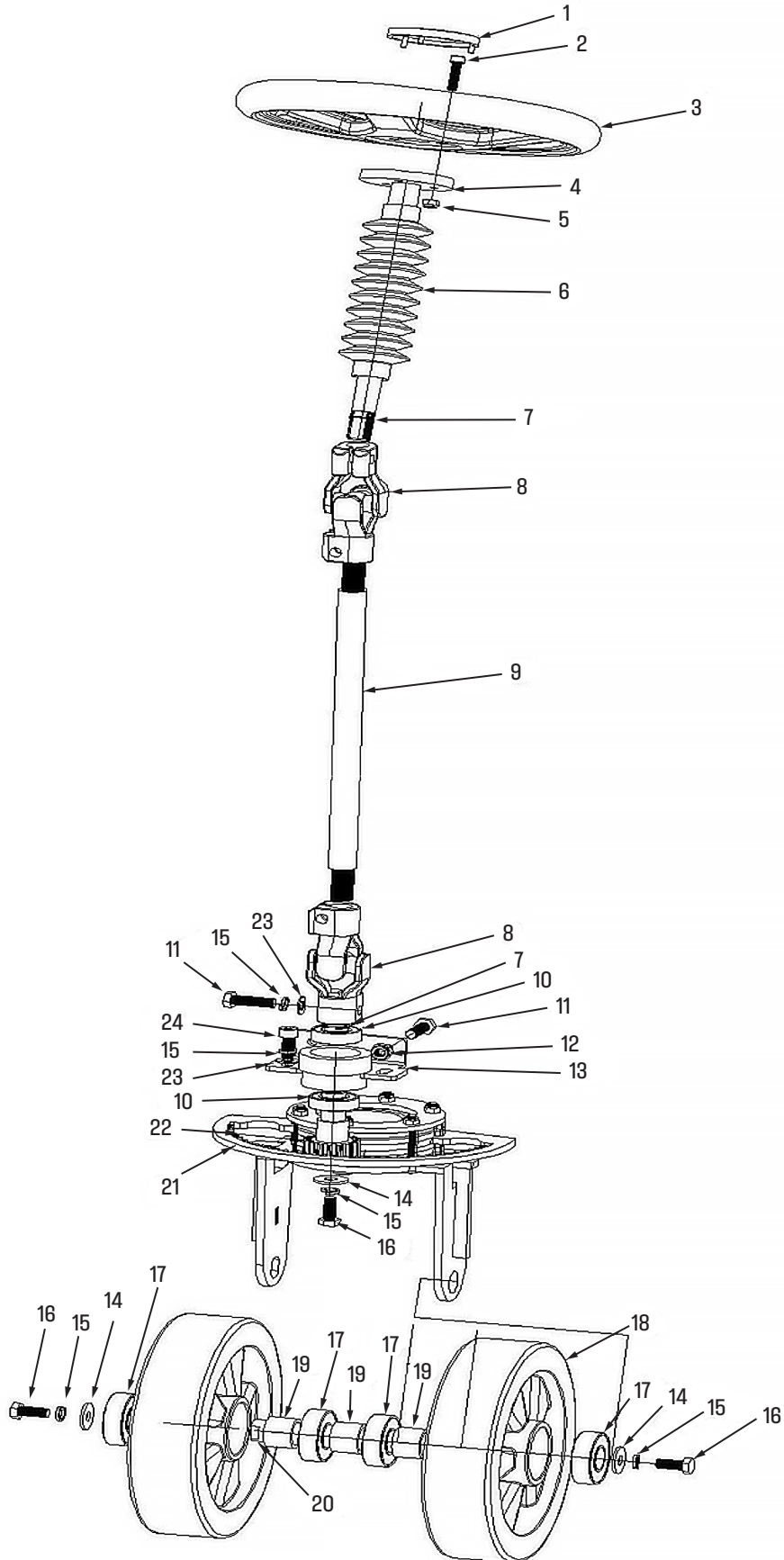
No	Part No.	Description	Qty
1	W12225	Frame	1
2	W12226	Switch	1
3	For Reference	Screw M3x20	2
4	For Reference	Screw M8x20	6
5	For Reference	Spring Washer D8	6
6	For Reference	Washer D8 D24	6
7	For Reference	Nut M3	2

# DRAIN GROUP



No	Part No.	Description	Qty
1	W12227	Handle, Drainage-01	1
2	W12228	Rod, Drainage	1
3	For Reference	Nut M8	1
4	For Reference	Spring washer D8	1
5	W12229	Bracket	1
6	For Reference	Screw M6×10	2
7	W12230	Clip D16-D25	3
8	W12231	G1/2-D16 Pipe Joint	2
9	W12232	Nut M8	3
10	W10968	G1/2 Filter, Fresh water	1
11	W12234	G1/2-D15 Pipe Joint	2
12	W12235	Clip D13-D19	1
13	W12236	Pipe D18-D13-570	1
14	W12237	Pipe D21-D16-210	1
15	W12238	Screw M8X70	1
16	For Reference	Nut D6×D12	2
17	For Reference	Screw M6	2
18	For Reference	Washer D20×D37	1
19	W12239	Bracket	1
20	W12240	G1/2 Water Valve	1
21	W12241	Pipe D21-D16-300	1

# FRONT WHEEL GROUP

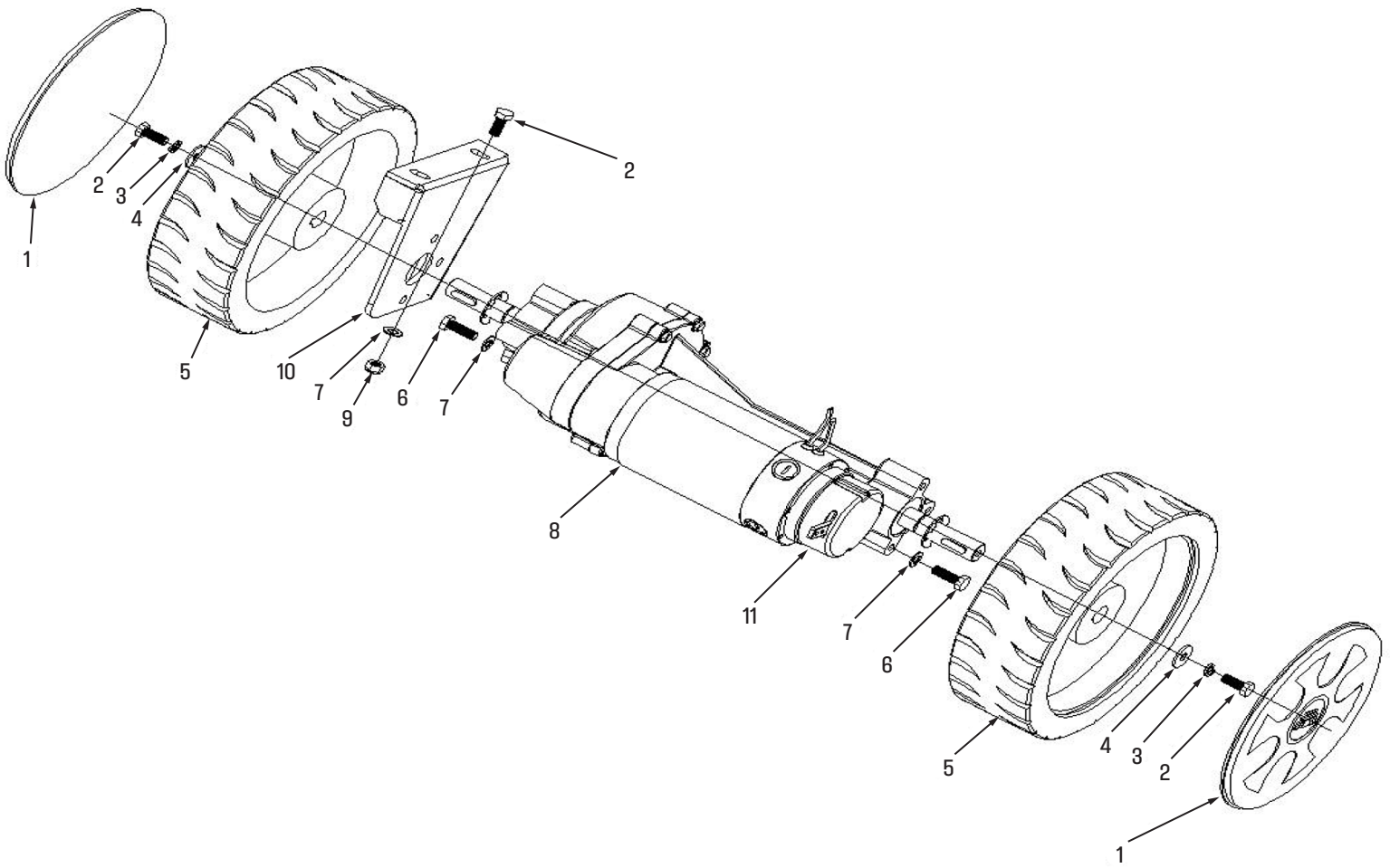


# FRONT WHEEL GROUP

No	Part No.	Description	Qty
1	W12242	Cover, Steering wheel	1
2	For Reference	Screw M6X25	3
3	W12243	Steering wheel	2
4	W12244	Main Shaft, steering wheel	1
5	For Reference	Nut M6	3
6	W12245	Protective Bush-1	1
7	For Reference	Spring D14	2
8	W12246	Universal Joint-1	2
9	W12247	Vertical Axis, steering wheel	1
10	W12248	Bearing6003-D35D17-10	2
11	For Reference	Screw M8X30	4
12	For Reference	Nut M8	2
13	W12249	Bracket, gear	1
14	For Reference	WasherD8D24	3
15	For Reference	Spring Washer D8	5
16	For Reference	Screw M8X20	3
17	W12250	Shaft 6204-D47D20-14	4
18	W10855	Front Wheel	2
19	W12252	Shaft Sleeve D27D21-20	3
20	W12253	Main Axle, front wheel	1
21	W12254	Gear Plate Group	1
22	W12255	Gear Group	1
23	For Reference	Washer D8D16	2
24	For Reference	Screw M8X20	2

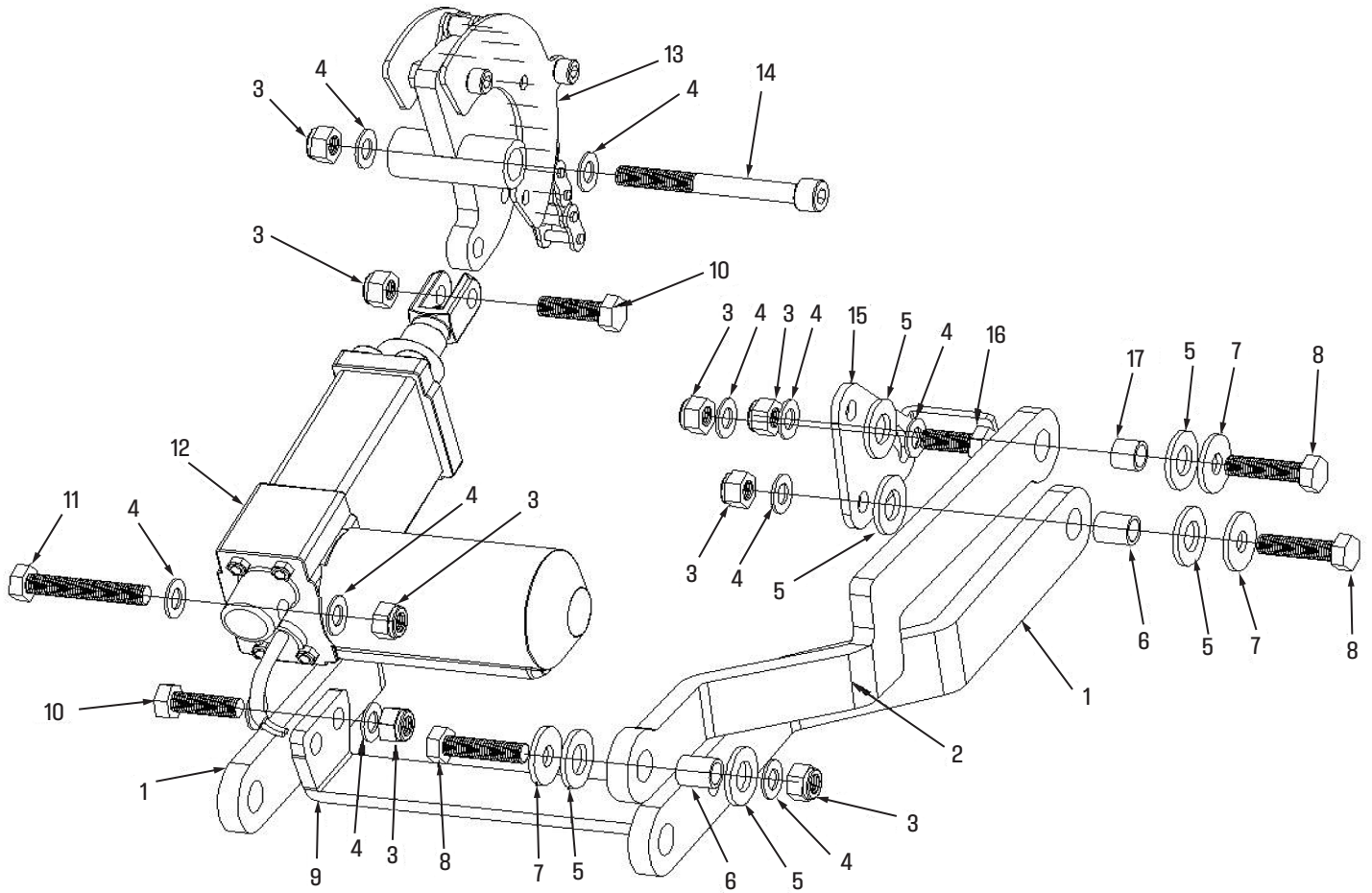


# REAR WHEEL GROUP



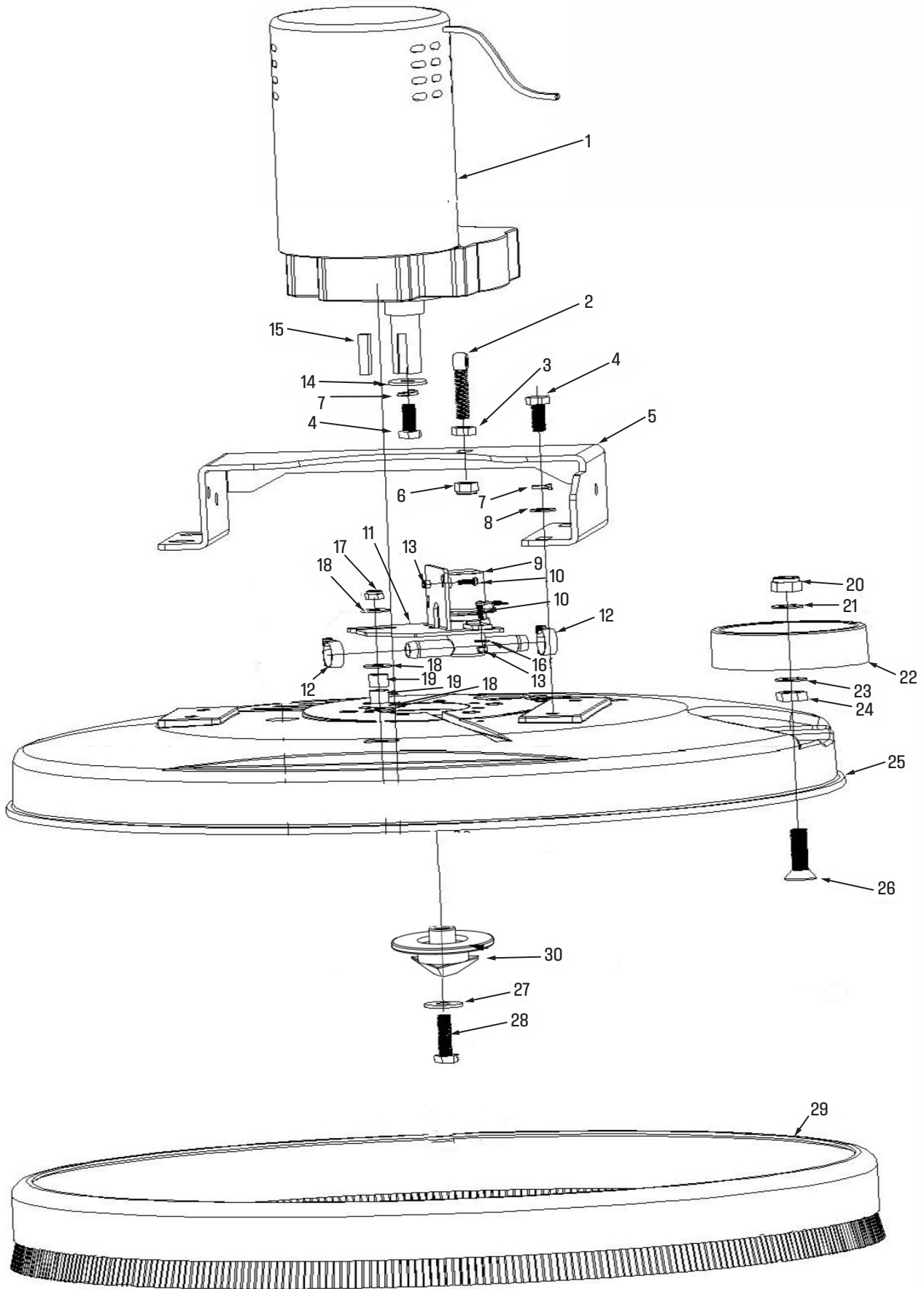
No	Part No.	Description	Qty
1	W12256	Wheel Cap	2
2	For Reference	Screw M8X20	4
3	For Reference	Spring Washer D8	2
4	For Reference	Washer D8D24	2
5	W10841	Rear Wheel	2
6	For Reference	Screw M8X25	2
7	For Reference	Washer D8D16	4
8	W109673	Drive Motor Group 24V-1	2
9	For Reference	Nut M8	2
10	W12259	Fixing Plate, Drive Motor	1
11	W11344	Electric Brake	1

# BRUSH LIFTING GROUP



No	Part No.	Description	Qty
1	W12261	Bracket-1,Brush Lifting	2
2	W12262	Bracket-2,Brush Lifting	1
3	W12263	Nut M8	14
4	W12264	Washer D8D16	19
5	W12265	Washer, Plastic D12D24	12
6	W12266	Sleeve D12D9-13	5
7	For Reference	Washer D8D24	6
8	For Reference	Screw M8X30	6
9	W12267	Bracket-3,Brush Lifting	1
10	W12268	Screw, M8X25	5
11	W12269	Screw, M8X45	1
12	W12270	Lifting Motor Group 24V-1	1
13	W12271	Bracket Group, Chain Wheel	1
14	For Reference	Screw M8X70	1
15	W12272	Bracket, Brush	1
16	For Reference	Screw M8X20	1
17	W12273	Sleeve D12D9-9	1

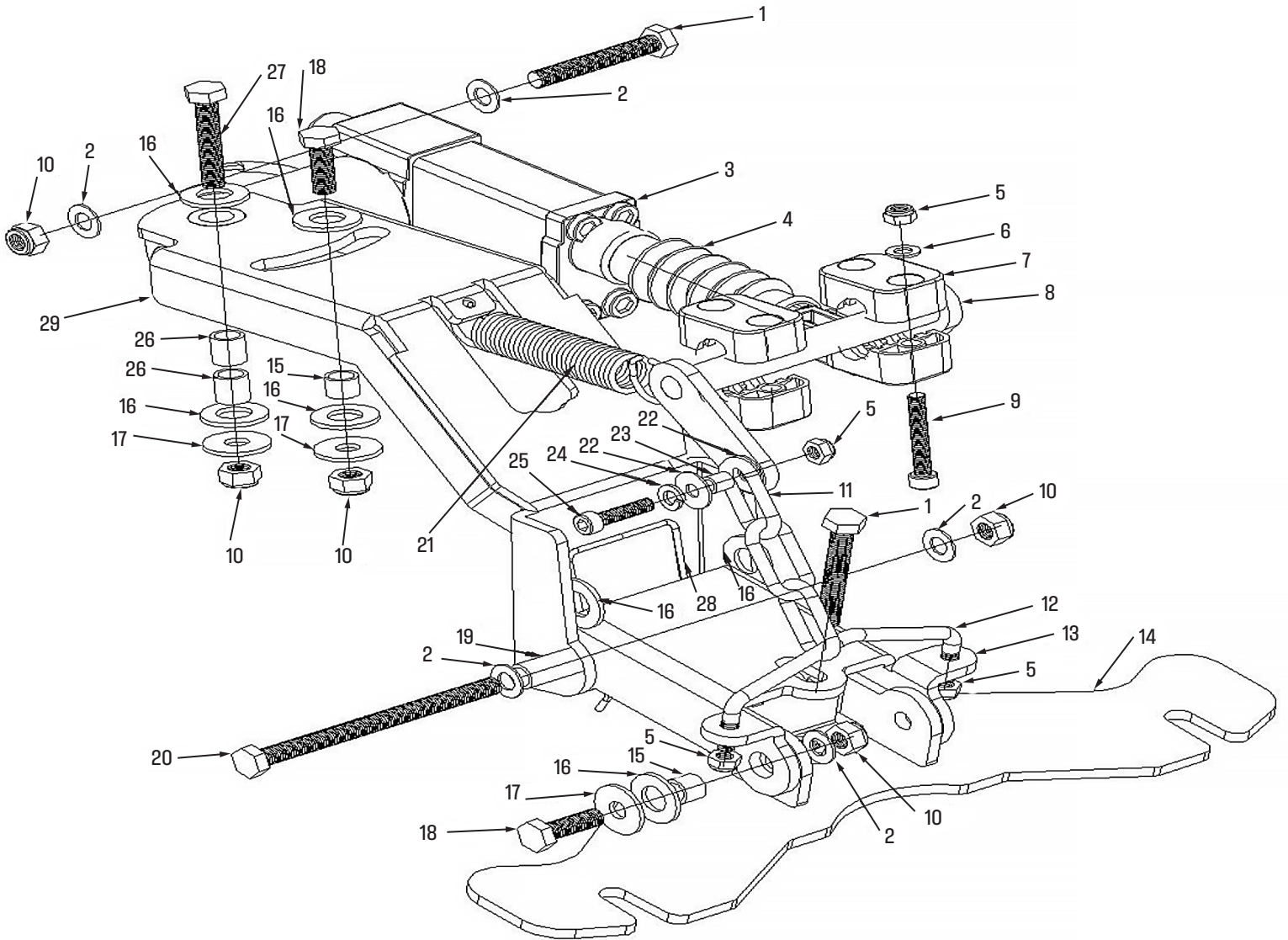
# BRUSH ASSEMBLY GROUP



# BRUSH ASSEMBLY GROUP

No	Part No.	Description	Qty
1	W12274	Brush Motor HY247	1
2	For Reference	Screw M8X30	1
3	For Reference	Nut M8	1
4	For Reference	Screw M8X20	5
5	W12275	Bracket, Brush	1
6	For Reference	Nut M8	7
7	For Reference	Spring Washer D8	4
8	For Reference	Washer D8D16	4
9	W12276	Electric Valve-1	1
10	For Reference	Screw M3X10	4
11	W12277	Bracket, Electric Valve	1
12	W12278	Clip D13-D19	3
13	For Reference	Nut M3	4
14	For Reference	WasherD8D24	7
15	W12279	Flat Key 6-6-30	1
16	For Reference	Washer D4D9	2
17	For Reference	Nut M6	1
18	For Reference	Washer D6D18	1
19	For Reference	Sleeve D12D9-13	8
20	For Reference	Nut M10	1
21	For Reference	Washer D10D20	1
22	W12284	Bumper wheel-1	1
23	For Reference	Washer D10D20	1
24	For Reference	Nut M10	1
25	W12285	Brush cover	1
26	For Reference	Screw M10X30	1
27	For Reference	WasherD8D24	1
28	For Reference	Screw M8X30	1
29	W10868	Skirt, Brush-1	1
30	W10813	Flange, brush	1

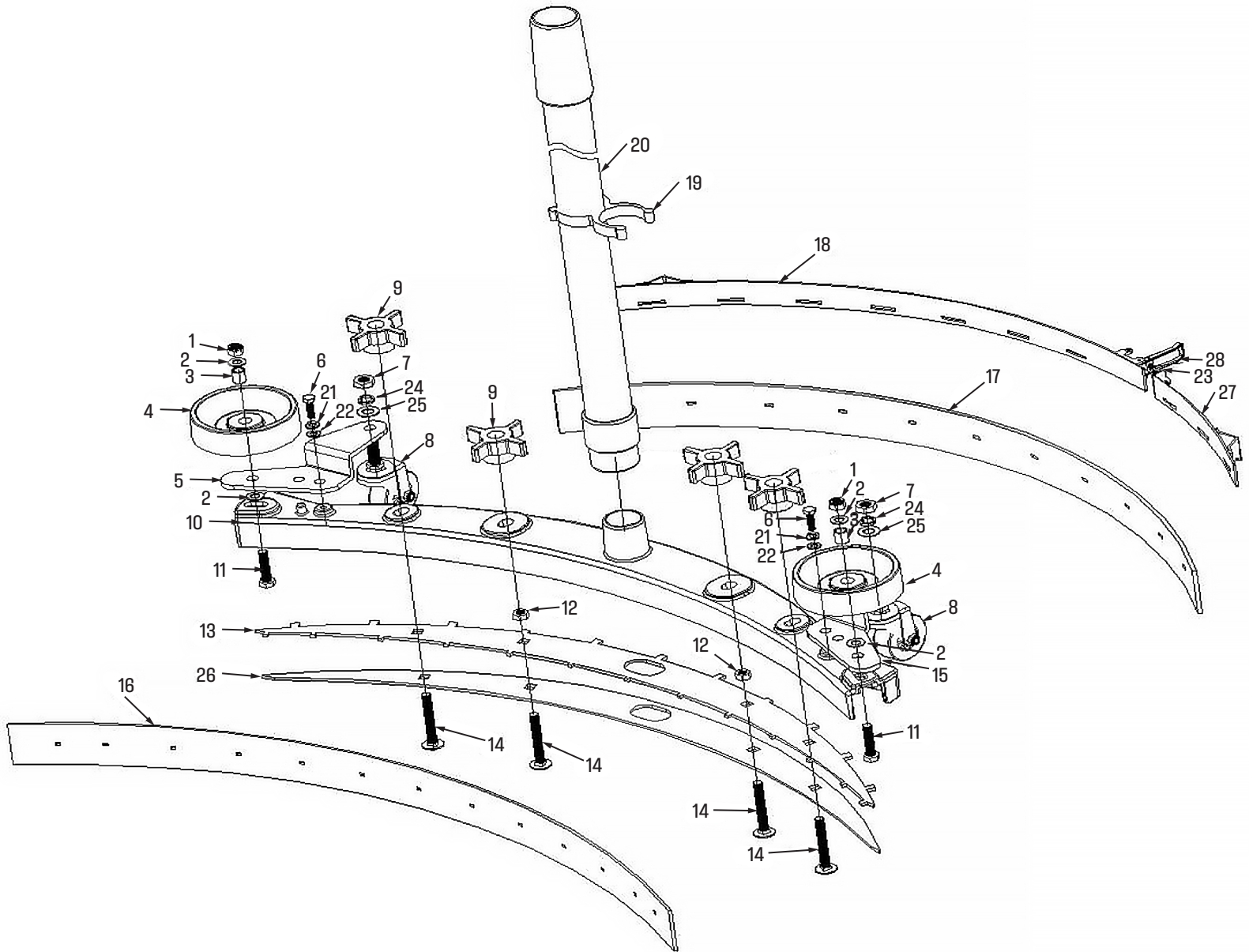
# SQUEEGEE LIFTING GROUP



# SQUEEGEE LIFTING GROUP

No	Part No.	Description	Qty
1	W12289	Screw M8X20	2
2	For Reference	Washer D8D16	6
3	W12290	Lifting Motor Group 24V-2	1
4	W12291	Sleeve, Lifting Motor-1	1
5	For Reference	Nut M6	7
6	W12292	Washer D6D12	4
7	W12293	Clip, Green plastic pipe	4
8	W12294	Lifting Arm, Squeegee	1
9	For Reference	Screw M8X20	4
10	W12295	Nut M8	6
11	W12296	Chain, Assy	1
12	W12297	U type Rod, Squeegee	1
13	W12298	Bracket-2, Lifting, Squeegee	1
14	W12299	Bracket-3, Lifting, Squeegee	1
15	For Reference	Sleeve D12D9-9	3
16	W12300	Washer D12D24	8
17	W12301	Washer D8D24	4
18	W12302	Screw M8X25	2
19	For Reference	Sleeve D12D9-80	1
20	W12303	Screw M8X110	1
21	For Reference	SpringD19D2.5-75	1
22	For Reference	Washer D6D18	2
23	For Reference	Sleeve D8D6-8	1
24	For Reference	Spring Washer D6	1
25	For Reference	Screw M6X25	1
26	For Reference	Sleeve D12D9-13	2
27	W12304	Screw M8X45	1
28	For Reference	Spring-1	1
29	W12305	Bracket-1 Lifting,Squeegee	1

# SQUEEGEE GROUP

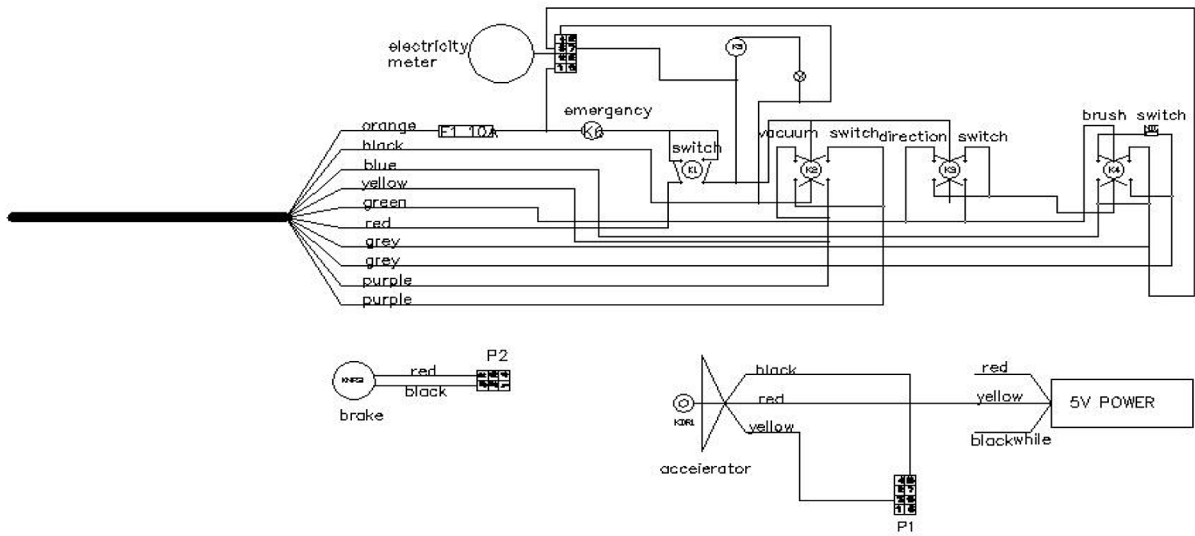
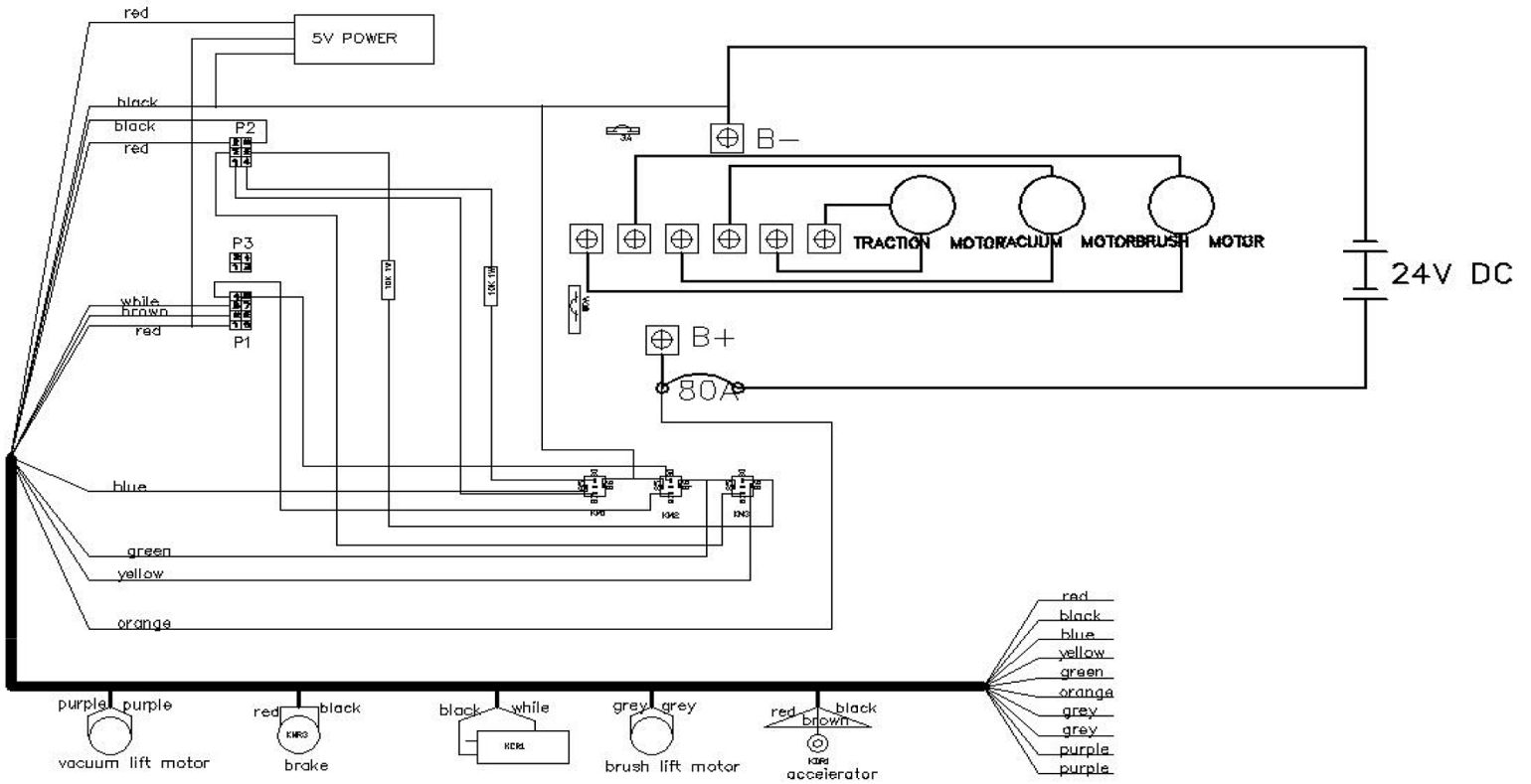


# SQUEEGEE GROUP

No	Part No.	Description	Qty
1	For Reference	Nut M8	2
2	For Reference	Washer D8D16	4
3	For Reference	Sleeve D12D9-13	2
4	W10845	Bumper Wheel-1	2
5	W11138	Bracket, right wheel, squeegee	1
6	For Reference	Screw M6X20	2
7	For Reference	Nut M10	2
8	W10870	Wheel, Squeegee Assy-1	2
9	W11139	Star Knob-1	4
10	W11140	Frame, Squeegee Assy	1
11	For Reference	Screw M8×35	2
12	For Reference	Nut M8	2
13	W12311	Fixing Plate, Blade-1	1
14	W12312	Screw M8×60	4
15	W11143	Bracket, right wheel, squeegee	1
16	W10863	Front Blade-01 Squeegee Assy	1
17	W10864	Rear Blade-01 Squeegee Assy	1
18	W11143	Fixing part, Assy, Rear Blad	1
19	W12317	Clip-1,X type	1
20	W12318	Hose D38-1300, Sewage water	1
21	For Reference	Spring Washer D6	2
22	For Reference	Washer D6D12	2
23	For Reference	Nut M5	1
24	For Reference	Spring Washer D10	2
25	For Reference	Washer D10D20	2
26	W12319	Fixing Plate-2 Blade	1
27	W12320	Fixing Part, rear blade, Left	1
28	For Reference	Screw M5×50	1



# WIRING DIAGRAM







**ONYX**  
TECHNOLOGY POWERING A CLEANER FUTURE

12605 Commerce Station Dr • Suite 700  
Huntersville, NC 28078  
704.827.9368



[onyxsolutions.com](http://onyxsolutions.com)