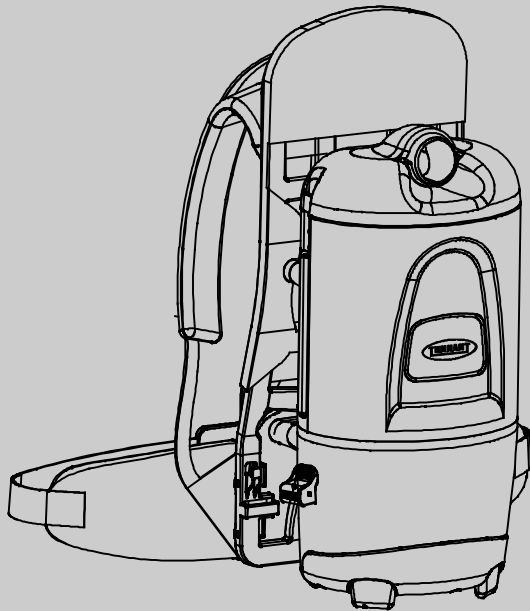




V-BP-6 V-BP-10

Commercial Backpack Vacuum Cleaner
Aspiradora de Espalda de Uso Comercial
Aspirateur Dorsal à Usage Commercial



Operator and Parts Manual (EN)

Manual de Operación y Partes (ES)

Manuel d'utilisation et de Pièces (FR)



Model Part No.:

- 1215364 - V-BP-6
- 1217839 - V-BP-6 Mexico
- 1215366 - V-BP-10
- 9013473 - V-BP-6 (Includes Base Tool Kit)
- 9013474 - V-BP-6 (Includes Std Tool Kit)
- 9013927 - V-BP-6 Mexico (Includes Std Tool Kit)
- 9013475 - V-BP-6 (Includes Prem Tool Kit)
- 9013481 - V-BP-10 (Includes Base Tool Kit)
- 9013482 - V-BP-10 (Includes Std Tool Kit)
- 9013483 - V-BP-10 (Includes Prem Tool Kit)



For the latest Parts manuals and other language Operator manuals, visit:

www.tennantco.com/manuals

www.tennantco.com

9013391
Rev. 02 (09-2016)

INTRODUCTION

This manual is furnished with each new model. It provides necessary operation and maintenance instructions and replacement parts information.



Read all instructions before using this machine.

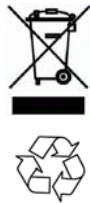
This machine will provide excellent service. However, the best results will be obtained at minimum costs if:

- The machine is operated with reasonable care.
- The machine is maintained regularly - per the maintenance instructions provided.
- The machine is maintained with manufacturer supplied or equivalent parts.

To view, print or download manuals online visit www.tennantco.com/manuals

UNPACKING MACHINE

Carefully check machine for signs of damage. Report damages at once to carrier. Check machine contents to ensure all parts and accessories are included. Contact distributor or Tennant for missing items.



PROTECT THE ENVIRONMENT

Please dispose of packaging materials and used machine components in a environmentally safe way according to your local waste disposal regulations.

Always remember to recycle.

Tennant Company

PO Box 1452
Minneapolis, MN 55440
Phone: (800) 553- 8033 or (763) 513- 2850
www.tennantco.com

Specifications and parts are subject to change without notice.

Original Instructions. Copyright ©2015- 2016 Tennant Company. All rights reserved.

INTENDED USE

This vacuum cleaner is intended for commercial use, for example in hotels, schools, hospitals, shops, offices and rental businesses. The machine is suitable for picking up dry, non- flammable dust and debris in an indoor environment. It is not suitable for picking up liquids or hazardous materials. Do not use this machine other than described in this manual.

MACHINE DATA

Please fill out at time of installation for future reference.	
Model No. -	_____
Serial No. -	_____
Installation Date -	_____

IMPORTANT: To ensure full warranty protection, fill out the attached MACHINE INSTALLATION / WARRANTY REPORT REPLY CARD and return to Tennant within 30 days of purchase.

TABLE OF CONTENTS

IMPORTANT SAFETY INSTRUCTIONS	3
SAFETY LABEL	4
GROUNDING INSTRUCTIONS	4
MACHINE COMPONENTS	5
REPLACEMENT BAGS AND FILTERS	5
MACHINE SETUP	6
VACUUM BAGS	6
FILTERS	6
POWER CORD	7
ACCESSORY TOOLS	7
BACKPACK HARNESS	8
MACHINE OPERATION	8
THERMAL PROTECTOR	9
MACHINE MAINTENANCE	9
STORING MACHINE	10
TROUBLESHOOTING	10
MACHINE SPECIFICATIONS	10
PARTS LIST	30
ELECTRICAL DIAGRAM	33
TOOL KITS	34
RECOMMENDED SPARE PARTS LIST	35

IMPORTANT SAFETY INSTRUCTIONS

When using an electrical appliance, basic precautions should always be followed, including the following:



READ ALL INSTRUCTIONS BEFORE USING THIS MACHINE



WARNING - To reduce the risk of fire, explosion, electric shock, or injury:

1. Do not leave appliance when plugged in. Unplug cord from outlet when not in use and before cleaning or servicing machine.
2. Do not use outdoors or on wet surfaces. This machine is for indoor and dry use only.
3. Do not allow to be used as a toy. Close attention is necessary when used near children.
4. Use only as described in this manual. Use only manufacturer's recommended attachments.
5. This machine is not intended for use by persons with reduced physical, sensory or mental capabilities, or lack of experience and knowledge.
6. Do not use with damaged cord or plug. If appliance is not working as it should, has been dropped, damaged, left outdoors, or dropped in water, return it to a service center for repair.
7. Do not pull or carry by cord, use cord as a handle, close a door on cord, or pull cord around sharp edges or corners. Do not run appliance over cord. Keep cord away from heated surfaces.
8. Do not unplug by pulling on cord. To unplug, grasp the plug, not the cord.
9. Do not handle plug or appliance with wet hands.
10. Do not put any object into openings. Do not use with any opening blocked; keep free of dust, lint, hair, and anything that may reduce air flow.
11. Keep hair, loose clothing, fingers, and all parts of body away from openings and moving parts.
12. Turn off all controls before unplugging.
13. Do not use to pick up flammable or combustible liquids, such as gasoline, or use in areas where they may be present.
14. Do not use to pick up hazardous dust or toxic materials.
15. Do not pick up anything that is burning or smoking, such as cigarettes, matches, or hot ashes.
16. Use extra care when cleaning on stairs.
17. Do not use without vacuum bag and/or filters in place.
18. Do not use additional extension cords with machine.
19. All repairs must be must be performed by a qualified service person. Use only manufacturer supplied or equivalent replacement parts.
20. Do not expose machine to rain or moisture. Store indoors only.
21. Connect to a properly grounded outlet only. See Grounding Instructions.

SAVE THESE INSTRUCTIONS

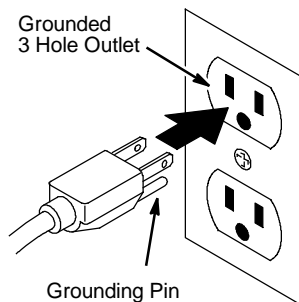
SAFETY LABEL

The safety label appears on the machine in the location indicated. Replace label if it is missing or becomes damaged or illegible.



GROUNDING INSTRUCTIONS

This appliance must be grounded. If it should malfunction or breakdown, grounding provides a path of least resistance for electric current to reduce the risk of electric shock. This appliance is equipped with a cord having an equipment-grounding conductor and grounding plug. The plug must be inserted into an appropriate outlet that is properly installed and grounded in accordance with all local codes and ordinances.



WARNING - Improper connection of the equipment-grounding conductor can result in a risk of electric shock. Check with a qualified electrician or service person if you are in doubt as to whether the outlet is properly grounded. Do not modify the plug provided with the appliance. If it will not fit the outlet, have a proper outlet installed by a qualified electrician.

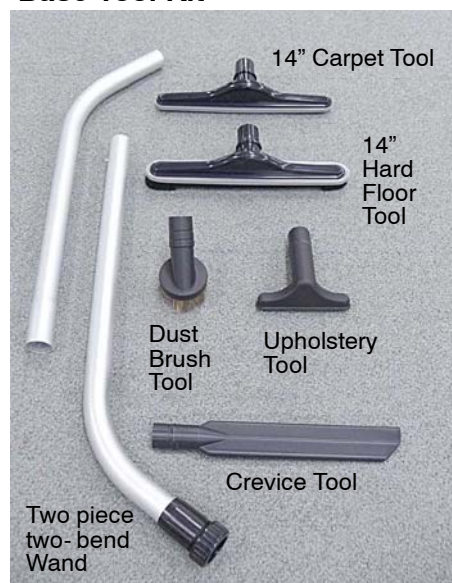
This appliance is for use on a nominal 120 volt circuit and has a grounding attachment plug that looks like the plug illustrated below. Make sure that the appliance is connected to an outlet having the same configuration as the plug. No adaptor should be used with this appliance.

WARNING - The replacement or repair of damaged wiring should only be performed by a qualified electrician or service engineer from the original distributor or authorized service agent.

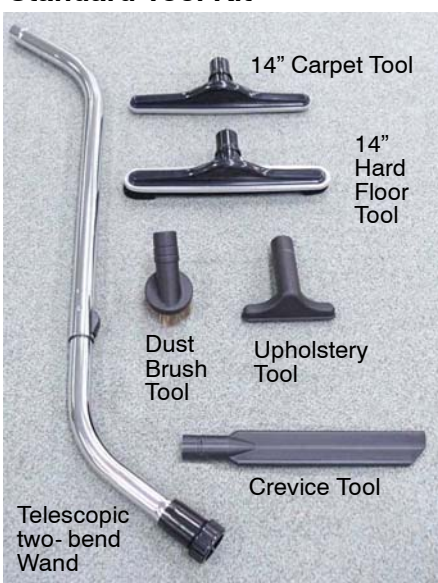
MACHINE COMPONENTS



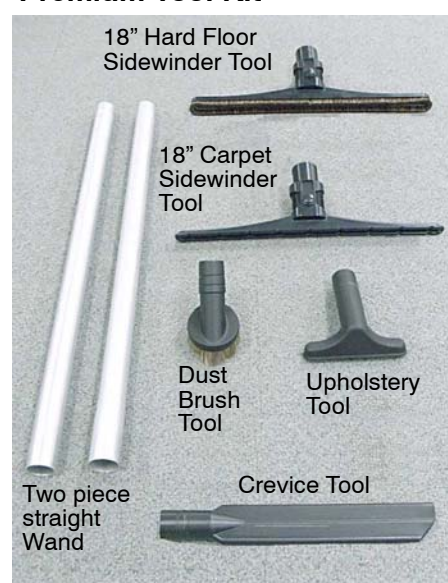
Base Tool Kit



Standard Tool Kit



Premium Tool Kit



REPLACEMENT BAGS AND FILTERS

V-BP-6 Model (6 qt bag capacity)

- 9007866 - Vacuum Bags (Case of 16 packages/192)
- 9007784 - Vacuum Bags (12 bags per package)
- 9007785 - Cloth Filter Bag
- 9007800 - Exhaust Filters (6 per package)
- 9007812 - HEPA Filter

V-BP-10 Model (10 qt bag capacity)

- 9009381 - Vacuum Bags (Case of 16 packages/192)
- 9009380 - Vacuum Bags (12 bags per package)
- 9008926 - Cloth Filter Bag
- 9007800 - Exhaust Filters (6 per package)
- 9007812 - HEPA Filter

MACHINE SETUP

VACUUM BAGS

Each new machine is equipped with two paper bags and a cloth filter bag.

For optimum filtration and dust containment, always use paper bag with cloth filter bag.

To Install Vacuum Bag:

1. Turn off power switch and unplug machine from wall outlet.
2. Remove vacuum hose from lid, release the two lid latches and remove lid.



3. To install paper bag, simply insert the paper bag inside the cloth filter bag, aligning cardboard collar with cloth bag seal.



4. Replace lid and lock latches. Insert vacuum hose into lid.



FILTERS

The machine is equipped with a pre-installed HEPA filter and exhaust filter. The HEPA filter (High Efficiency Particulate Air) captures fine dust particles at a total filtration of 99.97% @ 0.3 microns. The exhaust filter captures the carbon brush dust created from the motor.

Before operating machine, make sure filters are installed.

For optimum machine performance, it is important to replace the filters every six months.

To Replace HEPA Filter:

1. Turn off power switch and unplug machine from wall outlet.
2. Remove bag compartment lid from machine.
3. Remove cloth bag to access HEPA filter.
4. Pull off the grid plate located over HEPA filter and depress the two retainer clips to remove filter.
5. Insert new HEPA filter and replace grid plate, cloth bag and lid.



To Replace Exhaust Filter:

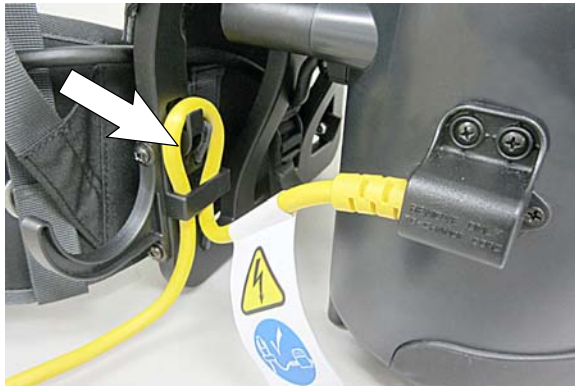
1. Turn off power switch and unplug machine from wall outlet.
2. Pull off the filter holder from bottom of machine to access exhaust filter.
3. Install new filter and snap filter holder back into position.



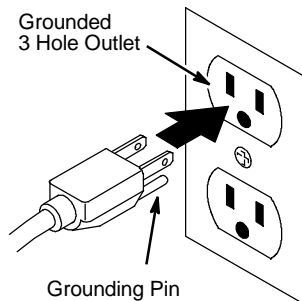
POWER CORD

1. Before operating machine, make sure the extension cord is looped through the cord restraint clip located on backrest as shown.

⚠ WARNING: Always use cord restraint clip to prevent risk of an electrical hazard.



2. Inspect power cord for damage before each use. Replace cord immediately if damaged.
3. Only connect power cord into a grounded 3 hole electrical outlet. No adapter should be used with the machine. Do not remove, bend or modify ground pin. Do not use additional extension cords.



4. Hang the power cord on the cord hook when not operating machine.

**ACCESSORY TOOLS**

Each machine comes equipped with a variety of accessory tools to meet your cleaning needs.

To Attach Accessory Tools:

1. For floor cleaning, attach wand to vacuum hose and attach desired floor tool. If equipped, turn collar on wand to lock tool in place.



2. For wands equipped with the telescopic feature, push the release button to extend the length of the wand.



3. For off-floor cleaning, attach the desired accessory tool directly to vacuum hose.



MACHINE BACKPACK HARNESS

To Properly Mount Machine on Back:

1. Fully loosen all harness straps.
2. Place the machine on your back so the weight of the machine is resting on your hips. Fasten the hip belt and pull belt straps forward to tighten (A).
3. Pull the two shoulder straps downward to pull the machine towards your back (B).
4. Connect the front shoulder straps together (C).
5. For final adjustment, pull the two stabilizer shoulder straps as needed to balance the weight of machine (D).



6. If the weight of the machine is not resting on your hips, adjust the shoulder harness height adjuster to your back length. It's important to ensure machine weight is resting on your hips to prevent shoulder fatigue.



MACHINE OPERATION

1. Plug the power cord into grounded electrical outlet. Always unwind power cord completely before operating machine.
2. Press the on/off switch to the on position.



3. Begin cleaning the area by working away from the electrical outlet. Keep back straight while cleaning to prevent back fatigue.



4. Operate the two-bend wand with a forward and backward motion.

For models equipped with the straight wand and Sidewinder tool, hold the wand parallel to your body and pivot your waist while walking (a side to side mopping motion). This motion keeps the upper body and arms from tiring.



THERMAL PROTECTOR

The machine is equipped with a resettable thermal protector located at the bottom of the machine. It is designed to protect the motor from overheating should the airflow be blocked for an extended period.

This may occur if vacuum bag is overfull, vacuum hose is blocked or filters are clogged. If thermal protector trips, turn off the power switch, unplug power cord and check for airflow blockage. Remove blockage and allow motor to cool for up to 3 minutes.

To reset the thermal protector, push the reset button with a pointed object as shown.



MACHINE MAINTENANCE

To keep machine in good working condition, simply perform the following maintenance procedures.

⚠ WARNING: Unplug cord from outlet when not in use and before servicing machine.

1. Check vacuum bag for fullness.



2. When replacing a full bag, cover the bag opening with the self-adhesive flap to contain the dust for disposal.



3. Remove the cloth filter bag and clean regularly. Turn bag inside out and tap off any dust buildup. Do not wash cloth bag. Replace bag if worn or damaged.



For optimum filtration and dust containment, always use a paper bag with cloth bag.

4. Replace HEPA filter every six months. HEPA filter cannot be washed for repeated use.



5. Replace exhaust filter every six months.



6. Inspect vacuum hose for clogged debris.
7. Keep machine and accessories clean and in good working condition.
8. Inspect power cord for damage after each use. Replace power cord immediately if damaged.
9. After each use, neatly coil power cord.

STORING MACHINE

Carefully coil power cord and store machine in a cool dry area. Do not expose to rain, store indoors.

TROUBLE SHOOTING

Problem	Cause	Solution
Machine will not operate	Thermal protector tripped	Remove obstruction, allow motor to cool and reset button
	Faulty cord	Replace cord
	Faulty on/off switch	Contact Service
	Faulty motor	Contact Service
Poor vacuum suction	Full vacuum bag	Replace bag
	Vacuum hose or pickup tool clog	Remove clog
	Damaged vacuum hose	Replace vacuum hose
	Clogged filters	Replace filters

MACHINE SPECIFICATIONS

MODEL	V- BP- 6	V- BP- 10
Width x Height x Depth	9.5in x 21in x 7in / 24cm x 53cm x 18cm	9.5in x 25in x 7in / 24cm x 63.5cm x 18cm
Width x Height x Depth w/ Harness	11in x 25in x 10in / 28cm x 63.5cm x 25cm	11in x 27in x 10in / 28cm x 68.5cm x 25cm
Weight	13 lb / 5.9 kg	13.5 lb / 6.1 kg
Bag Capacity	6 qt / 5.7 l	10 qt / 9.5 l
Voltage / Frequency	120 AC / 60 Hz	120 AC / 60 Hz
Vacuum Motor Rating	1200W / 10A	1200W / 10A
HEPA Filtration	99.97% @0.3 micron	99.97% @0.3 micron
Air Flow	111 cfm / 3.1 m ³ /min	111 cfm / 3.1 m ³ /min
Water Lift	119 in / 3023 mm	119 in / 3023 mm
Power Cord Length	50 ft / 15 m	50 ft / 15 m
Sound Pressure Level L _{pA}	67 dBA	67 dBA
Protection Grade	IP20	IP20

INTRODUCCIÓN

Este manual se entrega con cada modelo nuevo. Brinda las instrucciones de operación y mantenimiento necesarias e información sobre repuestos.



Lea todas las instrucciones antes de utilizar la máquina.

Esta máquina le brindará un servicio excelente. Sin embargo, se obtienen los mejores resultados al menor costo si:

- La máquina se opera con el cuidado razonable.
- Se realizan tareas de mantenimiento periódico en la máquina, según las instrucciones de mantenimiento provistas.
- Se realizan tareas de mantenimiento en la máquina con piezas provistas por el fabricante o equivalentes.

Para ver, imprimir o descargar manuales en línea, visite www.tennantco.com/manuals

DESEMBALAJE DE LA MÁQUINA

Verifique cuidadosamente que la máquina no esté dañada. Informe de inmediato al distribuidor si la máquina presenta algún daño. Verifique el contenido de la máquina para asegurarse de que incluya todas las partes y los accesorios. En caso de que haya faltantes, comuníquese con el distribuidor o con Tennant.



PROTEJA EL MEDIO AMBIENTE

Deseche los materiales de embalaje y los componentes usados de la máquina de manera segura para el medio ambiente, según las normas de desecho de residuos locales. Siempre acuérdesese de reciclar.



Tennant Company

PO Box 1452

Minneapolis, MN 55440

Teléfono: (800) 553- 8033 o (763) 513- 2850

www.tennantco.com

Las especificaciones y las piezas están sujetas a modificaciones sin previo aviso.

Instrucciones originales. Copyright ©2015- 2016 Tennant Company. Todos los derechos reservados.

USO PREVISTO

Esta aspiradora está diseñada para uso comercial, por ejemplo, en hoteles, escuelas, hospitales, comercios, oficinas y empresas de alquiler. La máquina es apta para la recogida de polvo y residuos secos no inflamables en interiores. No es apta para la recogida de líquidos o materiales peligrosos. Utilice la máquina solo del modo que se indica en este manual.

DATOS DE LA MÁQUINA

Complételos al momento de la instalación para que sirvan de referencia en el futuro.

N.º de modelo: _____

N.º de serie: _____

Fecha de instalación: _____

IMPORTANTE: A fin de asegurarse la protección con garantía completa, complete la FICHA DE RESPUESTA AL INFORME DE GARANTÍA O INSTALACIÓN DE LA MÁQUINA adjunta y envíela a Tennant dentro de un plazo de 30 días a partir de la fecha de compra.

ÍNDICE

INSTRUCCIONES IMPORTANTES DE SEGURIDAD	12
ETIQUETA DE SEGURIDAD	13
INSTRUCCIONES DE CONEXIÓN A TIERRA ..	13
COMPONENTES DE LA MÁQUINA	14
BOLSAS Y FILTROS DE REEMPLAZO	14
INSTALACIÓN DE LA MÁQUINA	15
OPERACIÓN DE LA MÁQUINA	17
PROTECTOR TÉRMICO	18
MANTENIMIENTO DE LA MÁQUINA	18
ALMACENAMIENTO DE LA MÁQUINA	19
RESOLUCIÓN DE PROBLEMAS	19
ESPECIFICACIONES DE LA MÁQUINA	19
LISTA DE PIEZAS	30
DIAGRAMA ELÉCTRICO	33
KITS DE HERRAMIENTAS	34
LISTA DE REPUESTOS RECOMENDADOS ...	35

INSTRUCCIONES IMPORTANTES DE SEGURIDAD

Cuando utilice un artefacto eléctrico, siempre siga las precauciones básicas, que incluyen lo siguiente:



LEA TODAS LAS INSTRUCCIONES ANTES DE UTILIZAR LA MÁQUINA

⚠ ADVERTENCIA: Para reducir el riesgo de incendios, explosión, choque eléctrico o lesiones:

1. No deje el artefacto enchufado si no lo utiliza. Desconecte el cable del tomacorriente cuando no utilice la máquina o cuando se realicen tareas de mantenimiento.
2. No use la máquina en exteriores o en superficies húmedas. Esta máquina está diseñada únicamente para su uso en interiores y en seco.
3. No permita que la máquina se use como un juguete. Preste mucha atención cuando la utilice cerca de niños.
4. Utilice la máquina solo como se describe en este manual. Utilice únicamente los accesorios recomendados por el fabricante.
5. Esta máquina no está diseñada para el uso por parte de personas con discapacidades físicas, sensoriales o mentales, o bien falta de experiencia y conocimientos.
6. No use la máquina si el cable o el conector está dañado. Si el artefacto no funciona como debería, se cayó, está dañado, quedó al aire libre o se sumergió en agua, envíelo a un centro de asistencia técnica para su reparación.
7. No empuje ni tire del cable, no use el cable como agarradera, no cierre ninguna puerta sobre el cable ni pase el cable por bordes o esquinas filosas. No pase la máquina en funcionamiento sobre el cable. Mantenga el cable lejos de superficies calientes.
8. No desconecte la máquina con un tirón del cable. Para desconectarlo, tome el conector, no el cable.
9. No manipule el conector o el artefacto con las manos húmedas.
10. No obstruya las aperturas con objetos. No utilice la máquina si las aperturas están bloqueadas. Controle que no tenga polvo, pelusas, pelos o cualquier otra partícula que pueda reducir el flujo de aire.
11. Evite el contacto de las aperturas y las partes móviles con el pelo, la ropa holgada, los dedos y otras partes del cuerpo.
12. Apague todos los controles antes de desconectar la máquina.
13. No manipule materiales inflamables o combustibles, como la gasolina, ni use la máquina en áreas donde podría haber este tipo de materiales.
14. No manipule ningún tipo de polvo dañino o materiales tóxicos.
15. No levante elementos calientes o con humo, tales como cigarrillos, fósforos o cenizas.
16. Tenga mucho cuidado cuando realice la limpieza en escaleras.
17. No utilice la máquina si la bolsa de aspiración o los filtros no están en su lugar.
18. No utilice cables de extensión adicionales con la máquina.
19. Una persona de mantenimiento calificada debe realizar todas las reparaciones. Use únicamente las piezas de repuesto provistas por el fabricante o equivalentes.
20. No exponga la máquina a la lluvia o a la humedad. Guárdela en un lugar cerrado.
21. Conecte el cable únicamente a un tomacorriente con la conexión a tierra correcta. Consulte las Instrucciones de conexión a tierra.

CONSERVE ESTAS INSTRUCCIONES

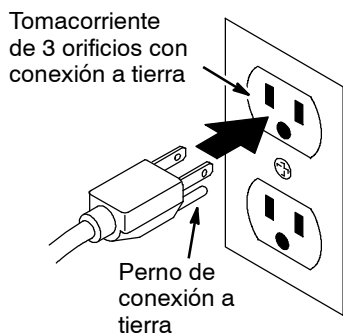
ETIQUETA DE SEGURIDAD

La etiqueta de seguridad aparece en la máquina en el lugar indicado. Debe reemplazar la etiqueta si falta, si se ha dañado o si se ha vuelto ilegible.



INSTRUCCIONES DE CONEXIÓN A TIERRA

El artefacto debe estar conectado a tierra. Si presenta alguna falla o avería, la conexión a tierra brinda un trazado de menor resistencia para la corriente eléctrica, y de esta forma se reduce el riesgo de choque eléctrico. El artefacto está equipado con un cable que tiene un conductor de puesta a tierra de equipos y un enchufe de conexión a tierra. El enchufe debe colocarse en un tomacorriente adecuado que esté instalado correctamente con conexión a tierra y en cumplimiento de todos los códigos y ordenanzas locales.



ADVERTENCIA: Si no se conecta correctamente el conductor de puesta a tierra de equipos, se puede presentar el riesgo de choque eléctrico. Consulte a un electricista o persona de mantenimiento calificados si tiene dudas sobre la conexión a tierra correcta del tomacorriente. No modifique el enchufe que viene con el artefacto. Si este no entra en el tomacorriente, solicite que un electricista calificado instale un tomacorriente adecuado.

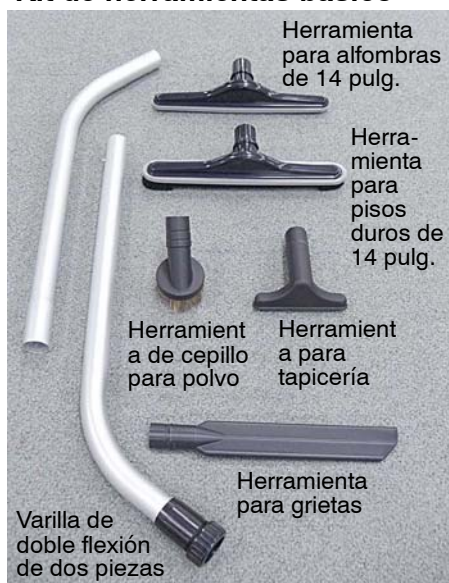
Este artefacto está diseñado para su uso en un circuito de 120 voltios nominales y cuenta con un enchufe de conexión a tierra similar al de la siguiente ilustración. Asegúrese de conectar el artefacto a un tomacorriente con la misma configuración del enchufe. No se debe utilizar ningún adaptador con este artefacto.

ADVERTENCIA: Los reemplazos o las reparaciones del cableado dañado deben ser realizados únicamente por un electricista o ingeniero de servicio calificados del distribuidor original o agente de servicio autorizado.

COMPONENTES DE LA MÁQUINA



Kit de herramientas básico



Kit de herramientas estándar



Kit de herramientas premium



BOLSAS Y FILTROS DE REEMPLAZO

Modelo V-BP-6 (capacidad de la bolsa: 6 qt)

- 9007866 - Bolsas de aspiración (caja de 16 paquetes/192)
- 9007784 - Bolsas de aspiración (12 bolsas por paquete)
- 9007785 - Bolsa de tela
- 9007800 - Filtros de escape (6 por paquete)
- 9007812 - Filtro HEPA

Modelo V-BP-10 (capacidad de la bolsa: 10 qt)

- 9009381 - Bolsas de aspiración (caja de 16 paquetes/192)
- 9009380 - Bolsas de aspiración (12 bolsas por paquete)
- 9008926 - Bolsa de tela
- 9007800 - Filtros de escape (6 por paquete)
- 9007812 - Filtro HEPA

INSTALACIÓN DE LA MÁQUINA

BOLSAS DE ASPIRACIÓN

Cada máquina nueva está equipada con dos bolsas de papel y una bolsa de filtro de tela.

Para una contención y filtración de polvo óptimas, utilice siempre una bolsa de papel con una bolsa de filtro de tela.

Para instalar la bolsa de aspiración:

1. Apague el interruptor de alimentación y desconecte la máquina del tomacorriente de la pared.
2. Quite la manguera de aspiración de la tapa, libere los dos pestillos de la tapa y retírela.



3. Para instalar la bolsa de papel, simplemente introdúzcala en la bolsa de tela y alinee el collar de cartón con el sello de la bolsa de tela.



4. Coloque nuevamente la tapa y cierre los pestillos. Conecte la manguera de vacío.



FILTROS

La máquina está equipada con un filtro HEPA y un filtro de escape preinstalado. El filtro de partículas aéreas de alta eficiencia (HEPA) captura partículas de polvo en una filtración total de 99,97% a 0,3 micrones. El filtro de escape captura el polvo del cepillo de carbono que genera el motor.

Antes de poner la máquina en funcionamiento, asegúrese de que los filtros estén instalados.

Para obtener el rendimiento óptimo de la máquina, es importante reemplazar los filtros cada seis meses.

Para reemplazar el filtro HEPA:

1. Apague el interruptor de alimentación y desconecte la máquina del tomacorriente de la pared.
2. Quite la tapa del compartimento de la bolsa de la máquina.
3. Quite la bolsa de tela para tener acceso al filtro HEPA.
4. Retire la placa de rejilla que está ubicada sobre el filtro HEPA y presione los dos sujetadores de retención para quitar el filtro.
5. Introduzca el filtro HEPA nuevo y coloque nuevamente la placa de rejilla, la bolsa de tela, la bolsa de papel y la tapa.



Para reemplazar el filtro de escape:

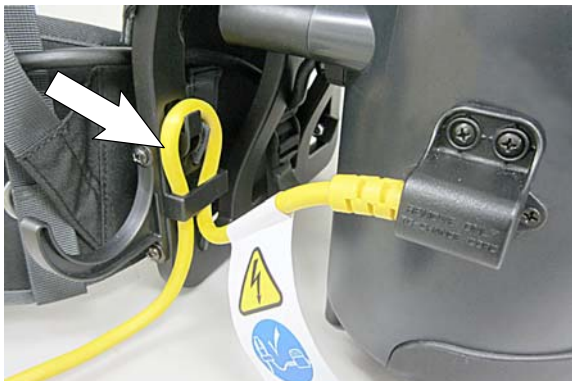
1. Apague el interruptor de alimentación y desconecte la máquina del tomacorriente de la pared.
2. Retire el soporte del filtro de la parte inferior de la máquina para tener acceso al filtro de escape.
3. Instale el filtro nuevo y vuelva a colocar el soporte del filtro en su posición.



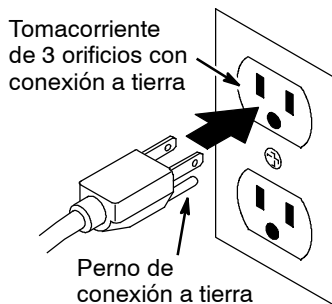
CABLE DE ALIMENTACIÓN

1. Antes de poner la máquina en funcionamiento, asegúrese de que el cable de extensión esté enrollado alrededor del sujetador de restricción ubicado en el respaldo, como se muestra en la figura.

⚠ ADVERTENCIA: Utilice siempre el sujetador de restricción de cable para evitar peligros eléctricos.



2. Inspeccione el cable de alimentación para detectar daños antes de cada uso. Reemplace el cable inmediatamente si está dañado.
3. Conecte el cable de alimentación únicamente en un tomacorriente de 3 orificios con conexión a tierra. No se debe utilizar ningún adaptador con esta máquina. No quite, doble ni modifique el perno de conexión a tierra. No utilice cables de extensión adicionales.



4. Cuelgue el cable de alimentación en el gancho del cable cuando la máquina no esté en funcionamiento.



HERRAMIENTAS ACCESORIAS

Cada máquina viene equipada con distintas herramientas accesorias para satisfacer sus necesidades de limpieza.

Para acoplar las herramientas accesorias:

1. Para la limpieza de pisos, acople la varilla a la manguera de aspiración y acople la herramienta para pisos deseada. Si viene incluido, gire el collar sobre la varilla para bloquear la herramienta en su lugar.



2. Para aquellas varillas telescópicas, presione el botón de liberación para ampliar la longitud de la varilla.



3. Para la limpieza de superficies alejadas del piso, acople la herramienta accesorias deseada directamente a la manguera de aspiración.



ARNÉS DE MOCHILA DE LA MÁQUINA

Para montar la máquina correctamente en la espalda:

1. Afloje completamente todas las correas del arnés.
2. Colóquese la máquina en la espalda para que el peso de la máquina se apoye sobre la cadera. Colóquese el cinturón de cadera y jale las correas del cinturón hacia adelante para ajustar (A).
3. Jale las dos correas de hombro hacia abajo para acercar la máquina hacia la espalda (B).
4. Conecte las correas de hombro frontales (C).
5. Para el ajuste final, jale las dos correas de hombro estabilizadoras según sea necesario a fin de equilibrar el peso de la máquina (D).



6. Si el peso de la máquina no se apoya sobre la cadera, ajuste el regulador de altura del arnés de hombro al largo de la espalda. Es importante asegurarse de que el peso de la máquina se apoye sobre la cadera para evitar el cansancio en los hombros.



OPERACIÓN DE LA MÁQUINA

1. Conecte el cable de alimentación a un tomacorriente con una conexión a tierra. Siempre desenrosque por completo el cable de alimentación antes de poner la máquina en funcionamiento.
2. Presione el interruptor de encendido y apagado y colóquelo en la posición de encendido.



3. Comience a limpiar el área en dirección opuesta al tomacorriente. Mantenga la espalda derecha mientras realiza la limpieza para evitar el cansancio en la espalda.



4. Opere la varilla de doble flexión con movimientos hacia adelante y hacia atrás. En aquellos modelos que están equipados con la varilla recta y la herramienta Sidewinder, sostenga la varilla en forma paralela al cuerpo y gire la cintura mientras camina (como el movimiento de limpieza con mopa de un lado a otro). Este movimiento evita el cansancio en la parte superior del cuerpo y en los brazos.



PROTECTOR TÉRMICO

La máquina está equipada con un protector térmico que puede restablecerse, está ubicado en la parte inferior. Está diseñado para proteger el motor del sobrecalentamiento en caso de que el flujo de aire esté bloqueado durante un período prolongado.

Esto puede ocurrir si la bolsa de aspiración está demasiado llena, la manguera de aspiración está bloqueada o los filtros están obstruidos. Si el protector térmico se desconecta, apague el interruptor, desconecte el cable de alimentación y verifique si hay bloqueo en el flujo de aire. Elimine el bloqueo y deje que el motor se enfríe durante 3 minutos como máximo.

Para restablecer el protector térmico, presione el botón de restablecimiento con un objeto puntiagudo, como se muestra en la figura.



MANTENIMIENTO DE LA MÁQUINA

Para mantener la máquina en buenas condiciones de funcionamiento, simplemente siga los procedimientos de mantenimiento.

⚠ ADVERTENCIA: Desconecte el cable del tomacorriente cuando no utilice la máquina o cuando se realicen tareas de mantenimiento.

1. Verifique si las bolsas de aspiración están llenas.



2. Cuando reemplace una bolsa llena, cubra la abertura de la bolsa con la aleta autoadhesiva para contener el polvo durante la eliminación.



3. Quite la bolsa de filtro de tela y límpiela de manera regular. Dé vuelta la bolsa y elimine toda acumulación de polvo. No lave la bolsa de tela. Reemplace la bolsa si está desgastada o dañada.



Para una contención y filtración de polvo óptimas, utilice siempre una bolsa de papel con una bolsa de tela.

4. Reemplace el filtro HEPA cada seis meses. El filtro HEPA no se puede lavar para un uso reiterado.



5. Reemplace el filtro de escape cada seis meses.



6. Inspeccione la manguera de aspiración para detectar residuos atascados.
7. Mantenga la máquina y los accesorios limpios y en buenas condiciones de funcionamiento.
8. Inspeccione el cable de alimentación para detectar daños después de cada uso. Reemplace el cable de alimentación inmediatamente si está dañado.
9. Después de cada uso, enrolle cuidadosamente el cable de alimentación.

ALMACENAMIENTO DE LA MÁQUINA

Enrolle cuidadosamente el cable de alimentación y guarde la máquina en un área seca y fresca. No la exponga a la lluvia, guárdela en un lugar cerrado.

ESPECIFICACIONES DE LA MÁQUINA

MODELO	V- BP- 6	V- BP- 10
Ancho x Altura x Profundidad	9,5 pulg. x 21 pulg. x 7 pulg. / 24 cm x 53 cm x 18 cm	9,5 pulg. x 25 pulg. x 7 pulg. / 24 cm x 63,5 cm x 18 cm
Ancho x Altura x Profundidad (con Arnés de mochila)	11 pulg. x 25 pulg. x 10 pulg./28 cm x 63,5 cm x 25 cm	11 pulg. x 27 pulg. x 10 pulg./28 cm x 68,5 cm x 25 cm
Peso	13 lbs/5,9 kg	13,5 lbs/6,1 kg
Capacidad de la bolsa	6 qt/5,7 l	10 qt/9,5 l
Voltaje/Frecuencia	120 CA/60 Hz	120 CA/60 Hz
Clasificación del motor de aspiración	1200 V/10 A	1200 V/10 A
Filtración HEPA	99,97% a 0,3 micrones	99,97% a 0,3 micrones
Flujo de aire	111 cfm/ 3,1 m ³ /min	111 cfm/ 3,1 m ³ /min
Elevación de agua	119 pulg./ 3023 mm	119 pulg./ 3023 mm
Longitud del cable de alimentación	50 pies/15 m	50 pies/15 m
Nivel de presión de ruido L _{pA}	67 dBA	67 dBA
Grado de protección	IP20	IP20

RESOLUCIÓN DE PROBLEMAS

Problema	Causa	Solución
La máquina no funciona.	El protector térmico está desconectado.	Elimine las obstrucciones, deje que el motor se enfríe y presione el botón de restablecimiento.
	El cable presenta fallas.	Reemplace el cable.
	El interruptor de encendido y apagado presenta fallas.	Comuníquese con el servicio de asistencia técnica.
	El motor presenta fallas.	Comuníquese con el servicio de asistencia técnica.
La aspiración es defectuosa.	La bolsa de aspiración está llena.	Reemplace la bolsa.
	La manguera de aspiración o la herramienta de recolección está atascada.	Quite los atascamientos.
	La manguera de aspiración está dañada.	Reemplace la manguera de aspiración.
	Los filtros están atascados.	Reemplace los filtros.

INTRODUCTION

Ce manuel est fourni avec chaque nouveau modèle. Il comprend les instructions d'utilisation et d'entretien nécessaires ainsi que les informations relatives aux pièces de rechange.



Lisez toutes les instructions avant d'utiliser cette machine.

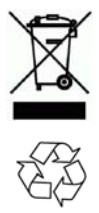
Cette machine procurera un excellent service. Toutefois, vous obtiendrez les meilleurs résultats à moindre coût si :

- La machine est utilisée avec précaution.
- La machine est entretenue régulièrement en conformité avec les instructions d'entretien fournies.
- La machine est entretenue à l'aide de pièces fournies par le fabricant ou de pièces équivalentes.

Pour consulter, imprimer ou télécharger les manuels en ligne, visitez le site www.tennantco.com/manuals.

DÉBALLAGE DE LA MACHINE

Vérifiez soigneusement que la machine n'est pas endommagée. Signalez immédiatement tout dommage au transporteur. Vérifiez le contenu de la machine pour vous assurer que toutes les pièces et tous les accessoires sont présents. Contactez le distributeur ou Tennant pour obtenir tout élément manquant.



PROTÉGEZ L'ENVIRONNEMENT

Veillez jeter l'emballage et les composants usagés de la machine de façon écologique, conformément aux réglementations locales sur l'élimination des déchets.

Rappelez-vous de toujours recycler.

Tennant Company

PO Box 1452
Minneapolis, MN 55440
Téléphone : (800) 553- 8033 ou (763) 513- 2850

www.tennantco.com

Les spécifications et les pièces peuvent varier sans préavis.

Instructions d'origine. Copyright ©2015- 2016 Tennant Company.
Tous droits réservés.

UTILISATION PRÉVUE

Cet aspirateur est destiné à une utilisation commerciale, par exemple dans les hôtels, les établissements scolaires, les hopitaux, les magasins, les bureaux et les entreprises de location. La machine permet de récupérer la poussière et les débris secs et non inflammables dans un environnement intérieur. Elle ne permet pas de récupérer les liquides ou les matières dangereuses. Utilisez cette machine uniquement comme décrit dans ce manuel.

DONNÉES RELATIVES À LA MACHINE

Veillez remplir le formulaire au moment de l'installation en vue d'une consultation ultérieure.

N° de modèle - _____

N° de série - _____

Date d'installation - _____

IMPORTANT : Pour bénéficier d'une garantie complète, remplissez la CARTE- RÉPONSE CI- JOINTE RELATIVE À LA GARANTIE/ L'INSTALLATION DE LA MACHINE et retournez- la à Tennant dans les 30 jours suivant l'achat.

TABLE DES MATIÈRES

INSTRUCTIONS IMPORTANTES RELATIVES À LA SÉCURITÉ	22
TIQUETTE DE SÉCURITÉ	23
INSTRUCTIONS RELATIVES À LA PROCÉDURE DE MISE À LA TERRE	23
COMPOSANTS DE LA MACHINE	24
SACS ET FILTRES DE RECHANGE	24
MISE EN SERVICE DE LA MACHINE	25
FONCTIONNEMENT DE LA MACHINE	27
PROTECTEUR THERMIQUE	28
ENTRETIEN DE LA MACHINE	28
ENTREPOSAGE DE LA MACHINE	29
DÉPANNAGE	29
SPÉCIFICATIONS DE LA MACHINE	29
LISTE DES PIÈCES DÉTACHÉES	30
SCHÉMA ÉLECTRIQUE	33
BOÎTE À OUTILS	34
LISTE DES PIÈCES DE RECHANGE RECOMMANDÉES	35

INSTRUCTIONS IMPORTANTES RELATIVES À LA SÉCURITÉ

Lors de l'utilisation d'un appareil électrique, des précautions de base doivent être observées, notamment les suivantes :



LISEZ TOUTES LES INSTRUCTIONS AVANT D'UTILISER CETTE MACHINE

AVERTISSEMENT - Pour réduire le risque d'incendie, d'explosion, de choc électrique ou de blessure:

1. Ne laissez pas sans surveillance un appareil branché. Débranchez le cordon de la prise de courant lorsque la machine n'est pas utilisée ou avant de la nettoyer ou de la réparer.
2. N'utilisez pas la machine à l'extérieur ou sur des surfaces mouillées. Cette machine est destinée à une utilisation à l'intérieur et sur des surfaces sèches uniquement.
3. Ne permettez pas à quiconque d'utiliser la machine comme un jouet. Une attention particulière est exigée lorsqu'elle est utilisée à proximité d'enfants.
4. Utilisez uniquement la machine comme indiqué dans ce manuel. Utilisez uniquement les accessoires recommandés par le fabricant.
5. Cette machine n'est pas conçue pour être utilisée par des personnes dont les capacités physiques, sensorielles ou mentales sont réduites, ou des personnes dénuées d'expérience ou de connaissance.
6. N'utilisez pas avec un cordon ou une fiche endommagés. Si l'appareil ne fonctionne pas comme il le devrait, s'il a subi une chute, s'il est endommagé, laissé à l'extérieur ou immergé dans l'eau, retournez-le à un centre d'assistance aux fins de réparation.
7. Ne tirez pas sur le cordon, ne transportez pas l'appareil par le cordon, n'utilisez pas le cordon comme une poignée, ne coincez pas le cordon dans une porte et ne tirez pas sur le cordon autour de coins ou rebords coupants. Ne faites pas rouler l'appareil sur le cordon. Éloignez le cordon des surfaces chauffées.
8. Ne débranchez pas en tirant sur le cordon. Pour débrancher, saisissez la fiche et non le cordon.
9. Ne manipulez pas la fiche ou l'appareil avec des mains mouillées.
10. Ne mettez pas de quelconques objets dans les ouvertures. N'utilisez pas l'appareil avec une quelconque ouverture bloquée. Maintenez toute ouverture exempte de poussières, fibres, cheveux ou de tout autre matériau susceptible de réduire le flux d'air.
11. Éloignez les cheveux, les vêtements, les doigts et toutes les parties du corps des ouvertures et des pièces mobiles.
12. Mettez toutes les commandes sur arrêt avant le débranchement.
13. Ne ramassez pas de liquides inflammables ou combustibles, tels que de l'essence, ou n'utilisez pas la machine dans des lieux où de tels liquides pourraient être présents.
14. Ne ramassez pas les poussières dangereuses ou les matériaux toxiques.
15. Ne ramassez pas quoi que ce soit qui brûle ou fume, tel que des cigarettes, allumettes ou des cendres chaudes.
16. Redoublez de prudence lors du nettoyage d'escaliers.
17. N'utilisez pas la machine sans avoir installé un sac d'aspiration ou des filtres.
18. N'utilisez pas de cordons prolongateurs supplémentaires avec la machine.
19. Toutes les réparations doivent être effectuées par un technicien qualifié. Utilisez uniquement des pièces de rechange fournies par le fabricant ou des pièces équivalentes.
20. N'exposez pas la machine à la pluie ou à l'humidité. Entrez uniquement à l'intérieur.
21. Branchez le cordon uniquement sur une prise correctement mise à la terre. Instructions de mise à la terre.

CONSERVEZ CES INSTRUCTIONS

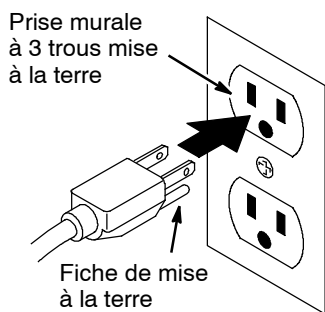
ÉTIQUETTE DE SÉCURITÉ

L'étiquette de sécurité se trouve à l'endroit indiqué sur la machine. Remplacez l'étiquette si elle est manquante, endommagée ou illisible.



INSTRUCTIONS RELATIVES À LA PROCÉDURE DE MISE À LA TERRE

Cet appareil doit être mis à la terre. En cas de dysfonctionnement ou de panne, la mise à la terre offre une voie de moindre résistance au courant électrique, afin de réduire le risque de choc électrique. Cet appareil est équipé d'un cordon muni d'un conducteur de mise à la terre de l'équipement et d'une fiche avec mise à la terre. La fiche doit être branchée sur une prise appropriée, correctement installée et mise à la terre, conformément aux réglementations et codes en vigueur au niveau local.



AVERTISSEMENT - Toute connexion incorrecte du conducteur de mise à la terre de l'équipement peut engendrer un risque de choc électrique. En cas de doute sur la mise à la terre de la prise de courant, faites examiner la prise de courant par un électricien qualifié ou un technicien de dépannage. Ne modifiez pas la fiche fournie avec l'appareil. Si elle ne s'adapte pas à la prise de courant, faites installer une prise correcte par un électricien qualifié.

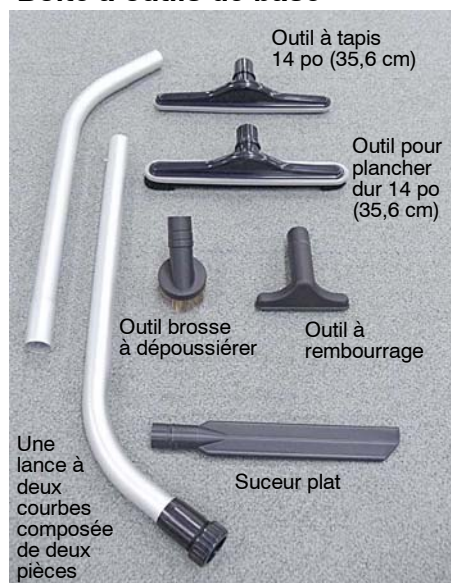
Cet appareil est destiné à être utilisé sur un circuit nominal de 120 V et comprend une fiche de mise à la terre qui ressemble à celle illustrée ci-dessous. Veillez à ce que l'appareil soit branché sur une prise de courant ayant la même configuration que la fiche. N'utilisez aucun adaptateur avec cet appareil.

AVERTISSEMENT - Le remplacement ou la réparation des câbles endommagés doit être effectuée uniquement par un électricien qualifié ou par un technicien de maintenance du distributeur d'origine ou de l'agent de service autorisé.

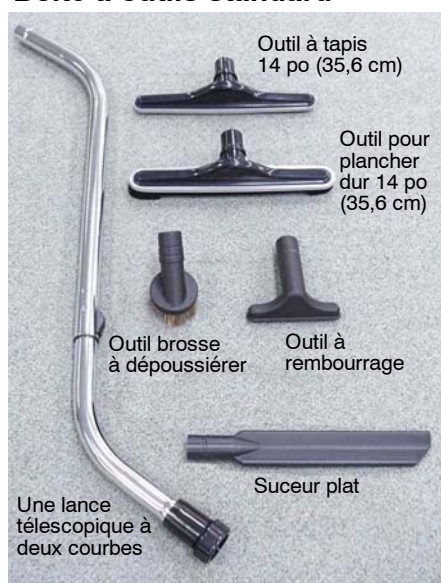
COMPOSANTS DE LA MACHINE



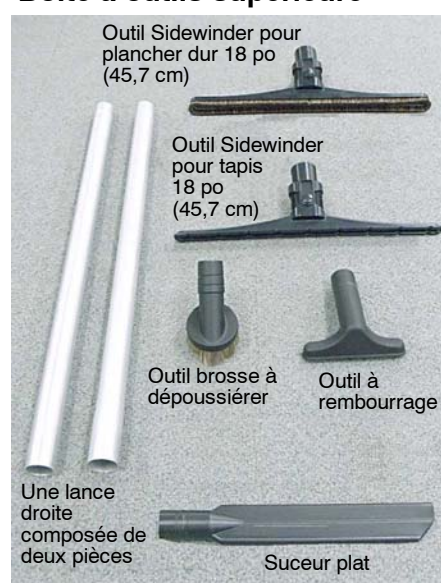
Boîte à outils de base



Boîte à outils standard



Boîte à outils supérieure



SACS ET FILTRES DE RECHANGE

Modèle V-BP-6 (capacité du sac de 6 pte)

- 9007866 - Sacs d'aspiration (caisse de 16 paquets/192)
- 9007784 - Sacs d'aspiration (12 sacs par paquet)
- 9007785 - Sac en tissu
- 9007800 - Filtres d'évacuation (6 par paquet)
- 9007812 - Filtre HEPA

Modèle V-BP-10 (capacité du sac de 10 pte)

- 9009381 - Sacs d'aspiration (caisse de 16 paquets/192)
- 9009380 - Sacs d'aspiration (12 sacs par paquet)
- 9008926 - Sac en tissu
- 9007800 - Filtres d'évacuation (6 par paquet)
- 9007812 - Filtre HEPA

MISE EN SERVICE DE LA MACHINE

SACS D'ASPIRATION

Chaque nouvelle machine est équipée de deux sacs en papier et d'un sac de filtre en tissu.

Pour une rétention de la poussière et un filtrage optimaux, utilisez systématiquement un sac en papier avec un sac de filtre en tissu.

Pour installer ou changer le sac d'aspiration :

1. Mettez l'interrupteur d'alimentation sur arrêt et débranchez la machine de la prise de courant murale.
2. Retirez le boyau d'aspiration du couvercle, libérez les deux taquets du couvercle et retirez le couvercle.



3. Pour installer le sac en papier, insérez simplement le sac dans le sac en tissu, en alignant le collet de carton avec le joint du sac en tissu.



4. Remplacez le couvercle et les taquets de verrouillage. Insérez le flexible dans le couvercle.



FILTRES

La machine est équipée d'un filtre HEPA préinstallé et d'un filtre d'évacuation. Le filtre HEPA (haute efficacité pour les particules de l'air) capture les fines particules de poussière et présente un total de filtrage de 99,97 % à 0,3 micron. Le filtre d'évacuation capture la poussière du balai de charbon créée par le moteur.

Avant de faire fonctionner la machine, assurez-vous que les filtres sont installés.

Pour un rendement optimal de la machine, il est important de remplacer les filtres tous les six mois.

Pour remplacer le filtre HEPA :

1. Mettez l'interrupteur d'alimentation sur arrêt et débranchez la machine de la prise de courant murale.
2. Retirez le couvercle du compartiment de sac de la machine.
3. Retirez le sac en tissu pour accéder au filtre HEPA.
4. Tirez la plaque grille située sur le filtre HEPA et appuyez sur les deux clips de retenue pour retirer le filtre.
5. Insérez le nouveau filtre HEPA et remplacez la plaque grille, le sac en tissu, le sac en papier et le couvercle.



Pour remplacer le filtre d'évacuation :

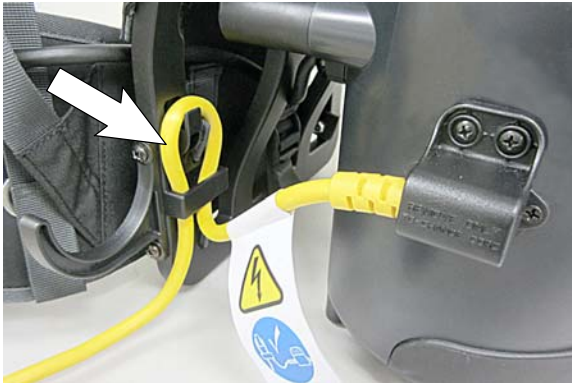
1. Mettez l'interrupteur d'alimentation sur arrêt et débranchez la machine de la prise de courant murale.
2. Tirez le support pour filtre à partir du bas de la machine pour accéder au filtre d'évacuation.
3. Installez le nouveau filtre et remettez le support pour filtre en place.



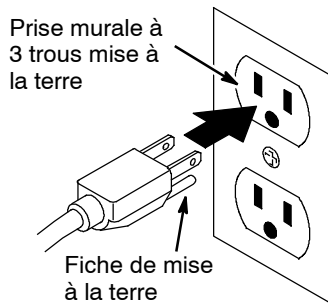
CORDON D'ALIMENTATION

1. Avant de faire fonctionner la machine, assurez-vous que la rallonge passe par le clip de retenue du cordon situé sur le dossier comme illustré.

⚠ AVERTISSEMENT : Utilisez toujours un clip de retenue du cordon pour éviter le risque de choc électrique.



2. Inspectez le cordon d'alimentation pour détecter tout dommage éventuel avant chaque utilisation. Si le cordon est endommagé, remplacez-le immédiatement.
3. Branchez le cordon uniquement sur une prise murale à trois trous mise à la terre. Aucun adaptateur ne doit être utilisé avec la machine. Ne retirez pas, ne pliez pas ou ne modifiez pas la fiche de mise à la terre. N'utilisez pas de cordons prolongateurs supplémentaires.



4. Accrochez le cordon d'alimentation sur le crochet pour cordon lorsque vous n'utilisez pas la machine.



TROUSSE D'OUTILS ACCESSOIRES

Chaque machine est équipée d'une variété d'outils d'accessoires pour répondre à vos besoins de nettoyage.

Pour fixer les outils d'accessoires :

1. Pour le nettoyage du sol, fixez la lance au boyau d'aspiration ainsi que l'outil pour le sol de votre choix. Tournez le collet (s'il y en a un) sur la lance pour fixer l'outil.



2. Pour les lances équipées d'une fonction télescopique, appuyez sur le bouton de libération pour étendre la longueur de la lance.



3. Pour le nettoyage d'une autre surface que le sol, fixez l'outil d'accessoire de votre choix directement au boyau d'aspiration.



HARNAIS DORSAL DE LA MACHINE

Pour fixer la machine correctement à votre dos :

1. Desserrez complètement les sangles du harnais.
2. Placez la machine sur votre dos de sorte que le poids de celle-ci repose sur vos hanches. Attachez la ceinture au niveau des hanches et tirez sur les sangles de la ceinture pour serrer (A).
3. Tirez les deux sangles au niveau des épaules vers le bas pour tirer la machine vers votre dos (B).
4. Raccordez les sangles avant au niveau des épaules ensemble (C).
5. Pour le réglage final, tirez les deux sangles de stabilisation au niveau des épaules au besoin pour équilibrer le poids de la machine (D).



6. Si le poids de la machine ne repose pas sur vos hanches, réglez la longueur du harnais au niveau des épaules à la longueur de votre dos. Il est important de s'assurer que le poids de la machine repose sur vos hanches pour éviter une fatigue des épaules.



FONCTIONNEMENT DE LA MACHINE

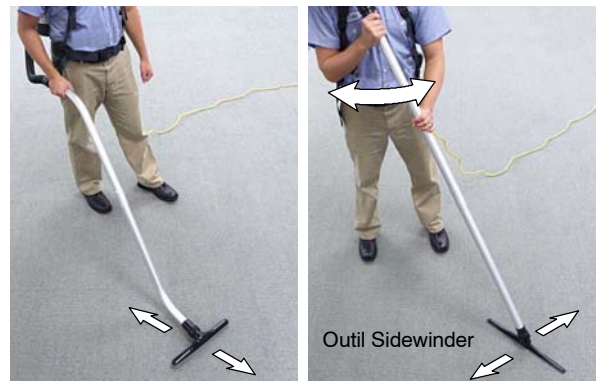
1. Branchez le cordon d'alimentation sur une prise électrique mise à la terre. Déroulez toujours le cordon d'alimentation entièrement avant de faire fonctionner la machine.
2. Appuyez sur l'interrupteur on/off et mettez-le sur « on » (marche).



3. Commencez à nettoyer la zone à l'écart de la prise électrique. Maintenez le dos droit lors du nettoyage pour éviter une fatigue dorsale.



4. Utilisez la lance à deux courbes en effectuant un mouvement vers l'avant et vers l'arrière. Pour les modèles équipés d'une lance droite et d'un outil Sidewinder, maintenez la lance parallèle à votre corps et tournez votre taille en marchant (mouvement de nettoyage d'un côté à l'autre). Ce mouvement permet d'éviter la fatigue de la partie supérieure du corps et des bras.



PROTECTEUR THERMIQUE

La machine est équipée d'un protecteur thermique réinitialisable situé en bas de la machine. Il est conçu pour protéger le moteur d'une surchauffe si le débit d'air se bloque pendant une période prolongée.

Cela peut se produire si le sac d'aspiration est trop plein, entraînant le blocage du boyau d'aspiration et l'obstruction des filtres. Si le protecteur thermique se déclenche, arrêtez la machine, débranchez le cordon d'alimentation et vérifiez si le débit d'air est bloqué. Retirez ce qui bloque et laissez le moteur refroidir pendant plus de 3 minutes.

Pour réinitialiser le protecteur thermique, appuyez sur le bouton de réinitialisation avec un objet pointu comme illustré.



ENTRETIEN DE LA MACHINE

Pour garder la machine en bon état de marche, il vous suffit de suivre les procédures d'entretien de la machine suivantes.

⚠ AVERTISSEMENT : Débranchez le cordon de la prise de courant lorsque la machine n'est pas utilisée ou avant de la réparer.

1. Vérifiez si le sac d'aspiration est plein.



2. Lorsque vous remplacez un sac plein, couvrez l'ouverture du sac avec le rabat autoadhésif pour maintenir la poussière à l'intérieur lors de la mise au rebut.



3. Retirez le sac de filtre en papier et nettoyez régulièrement. Retournez le sac et secouez-le pour retirer toute accumulation de poussière. Ne lavez pas le sac en tissu. Remplacez le sac s'il est usé ou endommagé.



Pour une rétention de la poussière et un filtrage optimaux, utilisez systématiquement un sac en papier avec un sac en tissu.

4. Remplacez le filtre HEPA tous les six mois. Le filtre HEPA ne peut pas être lavé pour être réutilisé.



5. Remplacez le filtre d'évacuation tous les six mois.



6. Vérifiez si le boyau d'aspiration présente des débris coincés.
 7. Maintenez la machine et les accessoires propres et en bon état de marche.
 8. Inspectez le cordon d'alimentation pour détecter tout dommage éventuel après chaque utilisation. Si le cordon d'alimentation est endommagé, remplacez-le immédiatement.
 9. Après chaque utilisation, enrroulez correctement le cordon d'alimentation.

ENTREPOSAGE DE LA MACHINE

Enroulez le cordon d'alimentation avec soin et entreposez la machine dans un endroit frais et sec. N'exposez pas la machine à la pluie et maintenez-la à l'intérieur.

SPÉCIFICATIONS DE LA MACHINE

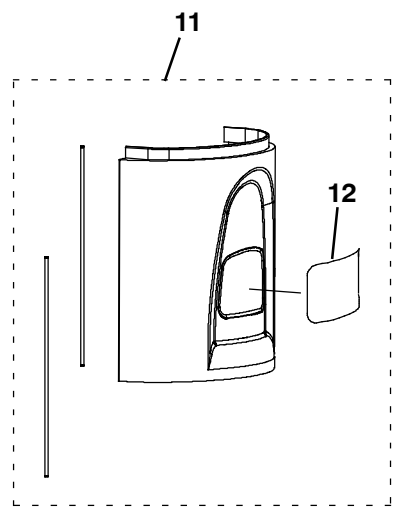
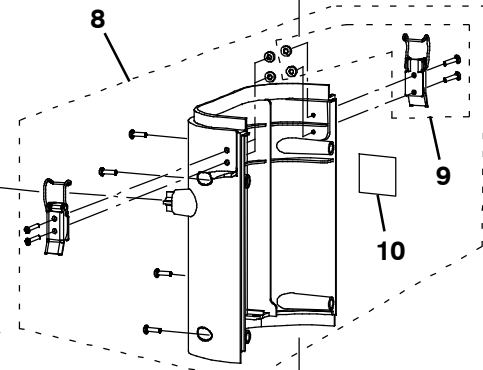
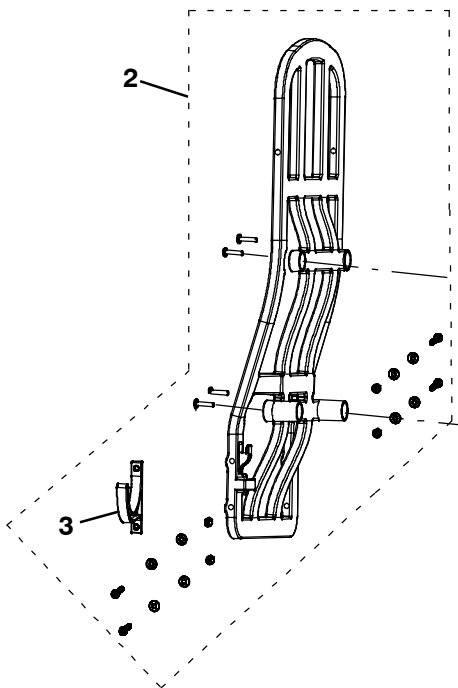
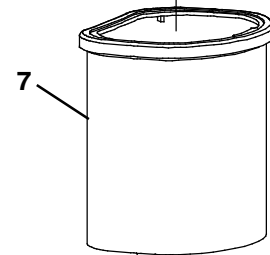
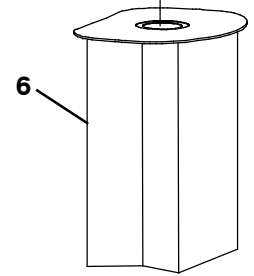
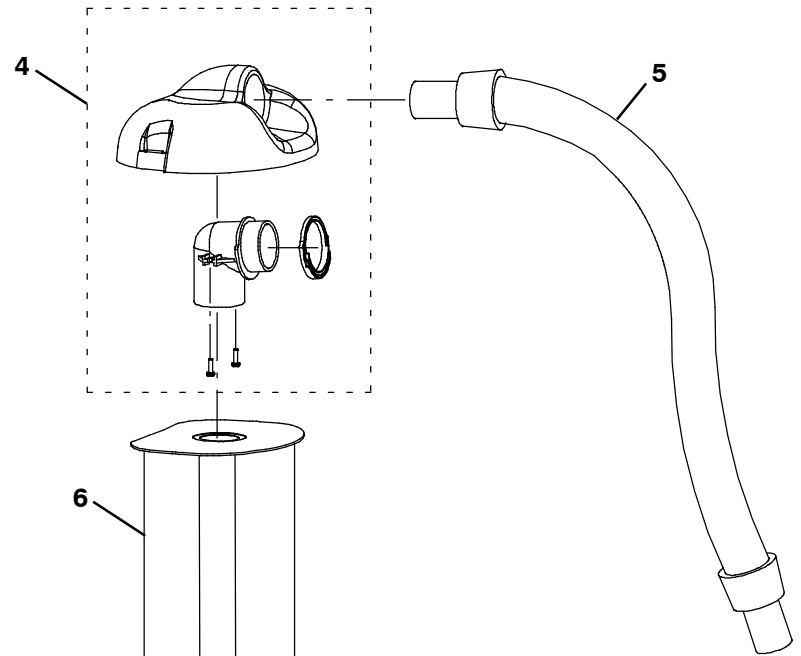
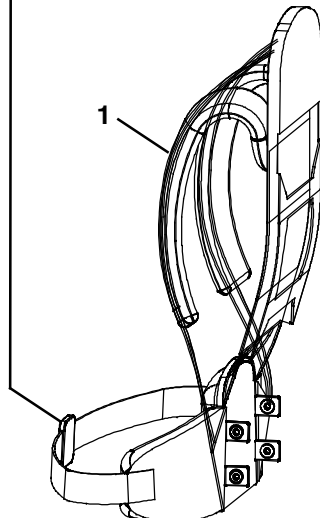
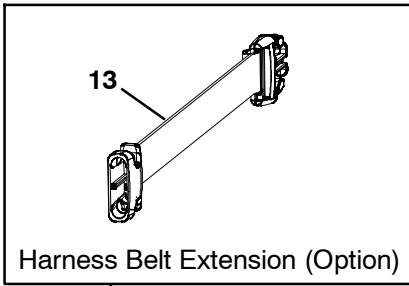
MODÈLE	V- BP- 6	V- BP- 10
Largeur x Hauteur x Profondeur	9,5 po x 21 po x 7 po / 24 cm x 53 cm x 18 cm	9,5 po x 25 po x 7 po / 24 cm x 63,5 cm x 18 cm
Largeur x Hauteur x Profondeur (avec harnais)	11 po x 25 po x 10 po / 28 cm x 63,5 cm x 25 cm	11 po x 27 po x 10 po / 28 cm x 68,5 cm x 25 cm
Poids	13 lb / 5,9 kg	13,5 lb / 6,1 kg
Capacité du sac	6 pte / 5,7 l	10 pte / 9,5 l
Tension / Fréquence	120 ca / 60 Hz	120 ca / 60 Hz
Régime nominal du moteur de l'aspirateur	1 200 W / 10 A	1 200 W / 10 A
Filtration HEPA	99,97 % à 0,3 micron	99,97 % à 0,3 micron
Débit d'air	111 PCM / 3,1 m ³ /min	111 PCM / 3,1 m ³ /min
Élévation d'eau	119 po / 3023 mm	119 po / 3023 mm
Longueur du cordon d'alimentation	50 pi / 15 m	50 pi / 15 m
Niveau de pression acoustique L _{pA}	67 dBA	67 dBA
Niveau de protection	IP20	IP20

DÉPANNAGE

Problème	Cause	Solution
La machine ne fonctionne pas	Protecteur thermique déclenché	Retirez l'obstruction, laissez le moteur refroidir et réinitialisez le bouton.
	Cordon défectueux	Remplacez le cordon
	Interrupteur on/off (marche/arrêt) défectueux	Contactez le centre d'assistance
	Moteur défectueux	Contactez le centre d'assistance
Aspiration faible	Sac d'aspiration plein	Remplacez le sac
	Boyau d'aspiration ou outil de ramassage obstrué	Retirez l'obstruction
	Boyau d'aspiration endommagé	Remplacez le boyau d'aspiration
	Filtres obstrués	Remplacez les filtres

PARTS LIST

UPPER HOUSING GROUP



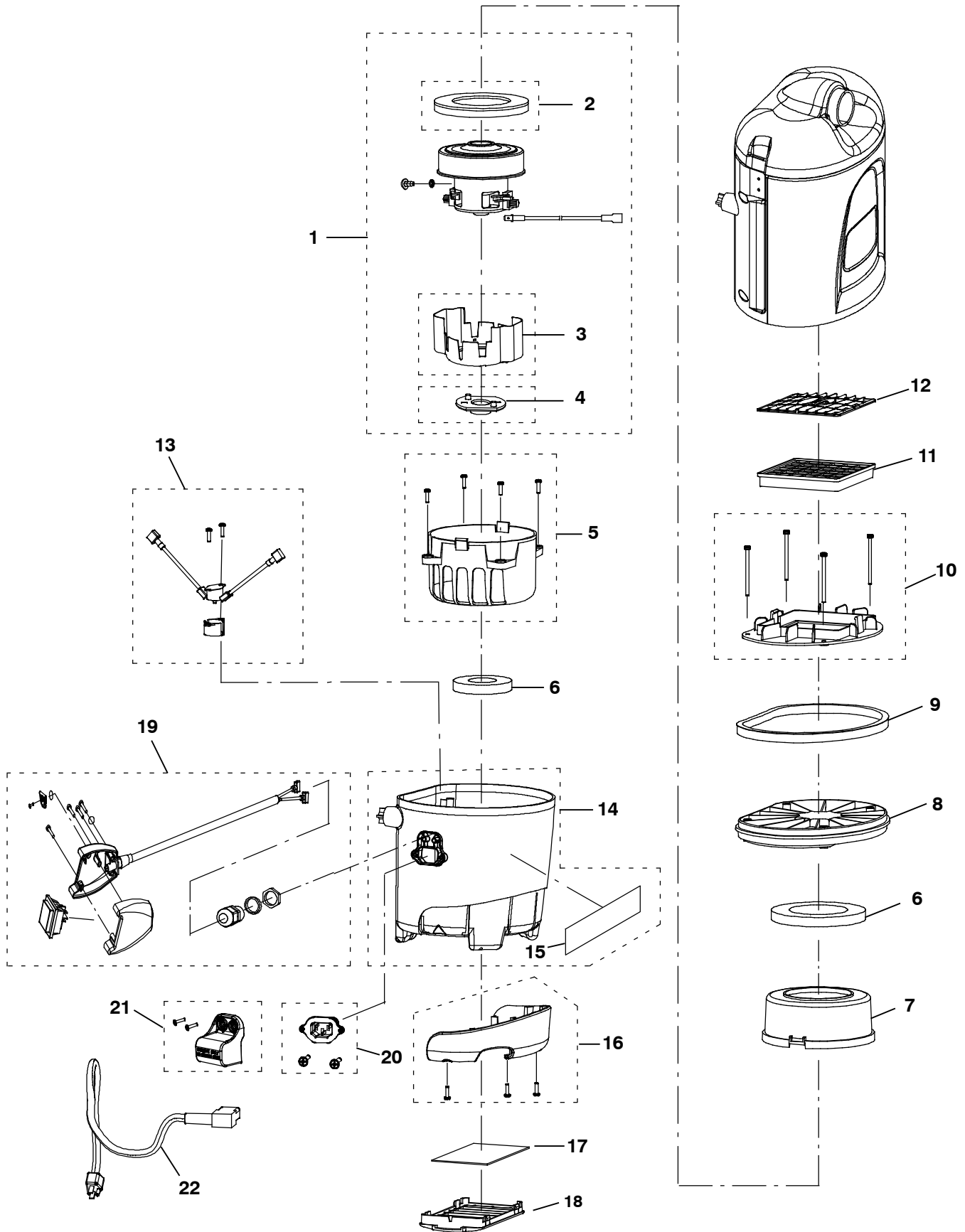
UPPER HOUSING GROUP

Ref.	Part No.	Description	Qty.	
	1	9013510	HARNES, BACKPACK [DEUTER]	1
▽	2	9013511	BACKREST, HARNES [DEUTER] (Includes 4- #10x0.75 screws,4- 10- 24x1.75 pan hd screws, 8#10 flat washers, 4- 10- 24 nylon lock nuts and cord hook)	1
▲	3	9013512	HOOK, CORD, BACKREST, HARNES	1
	4	9007783	COVER, HOUSING	1
	5	9007791	HOSE, VACUUM	1
	6	9007784	BAG, VACUUM, 6 QT (Pack of 12)	1
	6	9007866	BAG, VACUUM, 6 QT (Case of 16 Packs=192)	1
	6	9009380	BAG, VACUUM, 10 QT (Pack of 12)	1
	6	9009381	BAG, VACUUM, 10 QT (Case of 16 Packs=192)	1
	7	9007785	BAG, CLOTH, 6 QT	1
	7	9008926	BAG, CLOTH, 10 QT	1
▽	8	9007789	COVER, REAR, 6 QT	1
▽	8	9008927	COVER, REAR, 10 QT	1
▲	9	9007788	LATCH, BACKPACK (includes 2- rivets)	1
▲	10	1026381	LABEL, WARNING	1
▽	11	9013513	COVER, FRONT, W/LABEL, TEAL [V- BP- 6]	1
▽	11	9013514	COVER, FRONT, W/LABEL, TEAL [V- BP- 10]	1
▲	12	1215382	LABEL, LOGO [TENNANT]	1
	13	9015086	EXTENSION, BELT, HARNES [DEUTER] (OPTIONAL)	1

▽ ASSEMBLY

▲ INCLUDED IN ASSEMBLY

LOWER HOUSING GROUP



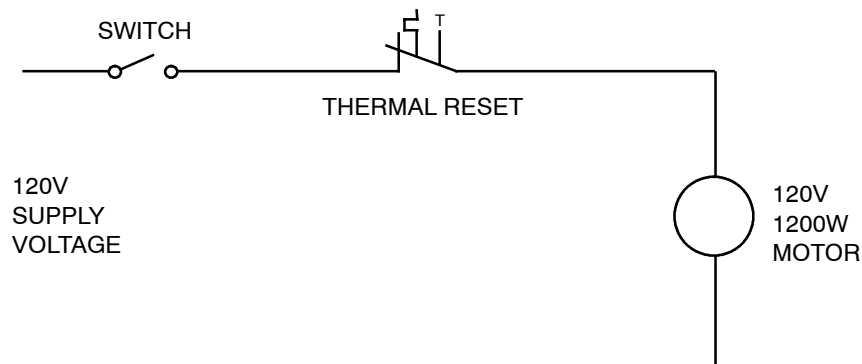
LOWER HOUSING GROUP

Ref.	Part No.	Description	Qty.
▽	1	9013735 FAN, ASSY, VACUUM, BACKPACK, 120V (includes 1- m4x6 set screw)	1
▲	2	9007807 GASKET, MOTOR	1
▲	3	9007803 SHROUD, MOTOR, BOTTOM	1
▲	4	9007804 MOUNT, MOTOR, BOTTOM	1
	5	9007805 SHROUD, MOTOR, BOTTOM (Includes 4- #8x0.625 screws)	1
	6	9007806 GASKET, MOTOR, KIT	1
	7	9007808 SHROUD, MOTOR, TOP	1
	8	9007809 COVER, MOTOR	1
	9	9007810 SEAL, COVER	1
	10	9007811 PLATE, FILTER	1
	11	9007812 FILTER, HEPA	1
	12	9007813 FRAME, FILTER, CAP	1
	13	9007817 SWITCH, THERMAL (Includes 2- #6x0.375 screws)	1
▽	14	9013517 BASE, VACUUM, BACKPACK	1
▲	15	9008185 LABEL, TRUE- HEPA	1
	16	9007799 BUMPER (Includes 3- #8x0.625 screws)	1
	17	9007800 FILTER, EXHAUST (Pack of 6)	1
	18	9007801 FRAME, FILTER, BOTTOM	1
	19	9014119 SWITCH, W/ HARNESS	1
	20	9013518 RECEPTACLE, CORD	1
	21	9013519 BRACKET, RETAINER, CORD	1
	22	9013520 CORD, POWER, 50 FT, YEL, 120V	1
	22	9013928 CORD, POWER, 50 FT, YEL, 120V, 16AWG (Mexico)	1

▽ ASSEMBLY

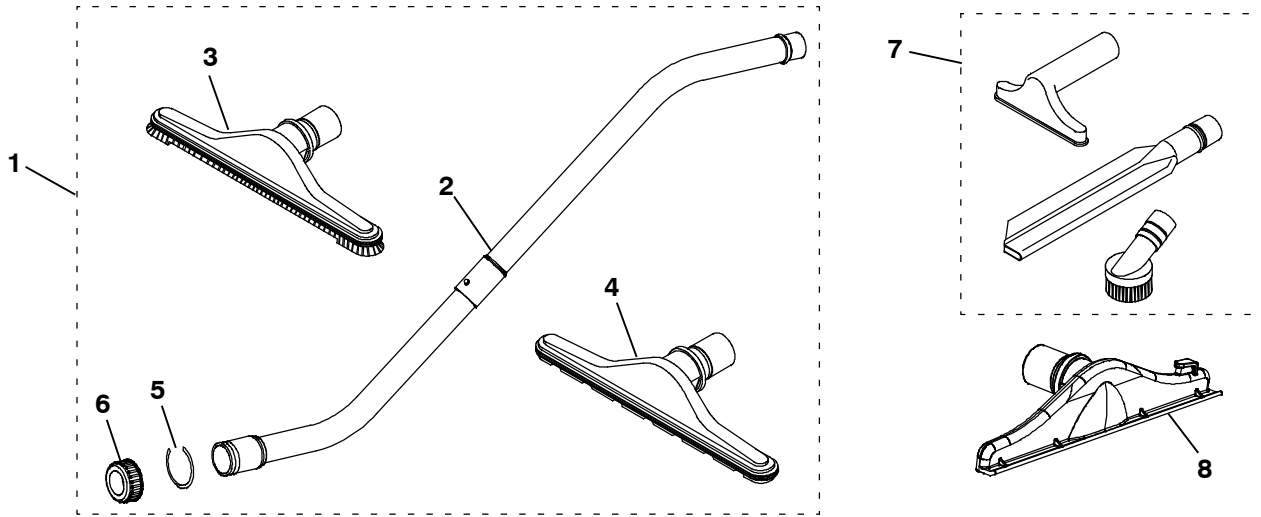
▲ INCLUDED IN ASSEMBLY

ELECTRICAL DIAGRAM



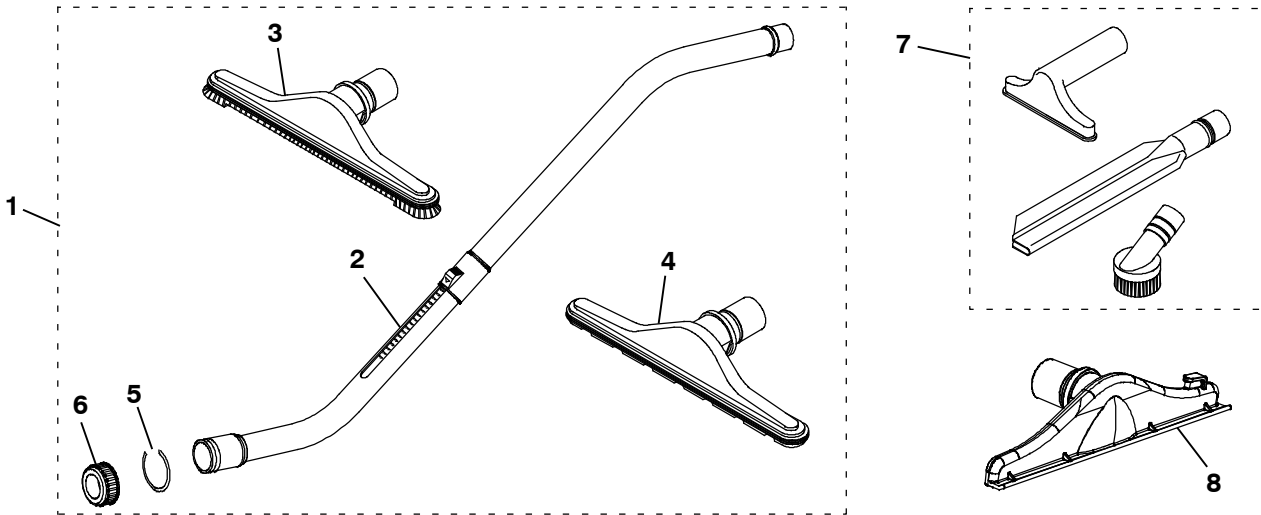
PARTS LIST

BASE TOOL KIT



	Ref.	Part No.	Description	Qty.
▽	1	1215375	TOOL, KIT, W/ TWO-PIECE WAND, 1.5D [BASE]	1
▲	2	9013464	WAND, 2-BEND, TWO PIECE, 1.5D [BASE] (Includes Ring and Coupling)	1
▲	3	9013468	TOOL, PICKUP, HARD FLOOR, 1.5D, 14W	1
▲	4	9013469	TOOL, PICKUP, CARPET, 1.5D, 14W	1
▲	5	605257	RING, LOCK	1
▲	6	600828	NUT, COUPLING, WAND	1
	7	1215380	TOOL, PICKUP, KIT, 3 PCS, 1.5D (Includes upholstery tool, dusting brush and crevice tool)	1
	8	9013731	TOOL, PICKUP, CARPET, 1.5D, HIGH VELOCITY [OPTION]	1

STANDARD TOOL KIT

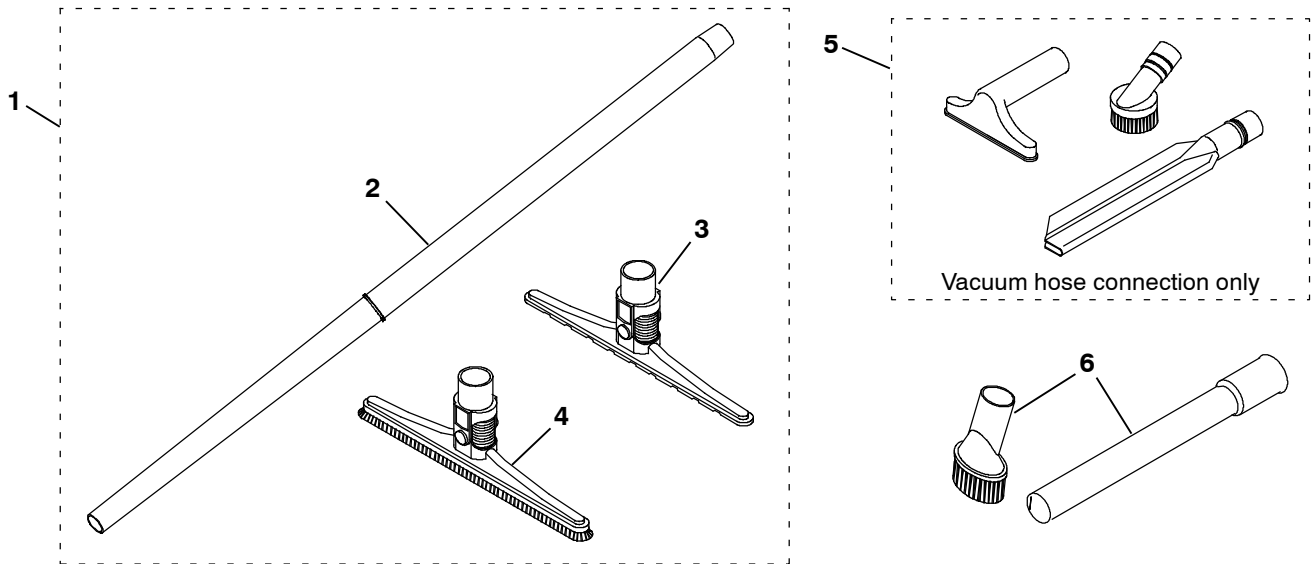


	Ref.	Part No.	Description	Qty.
▽	1	1215378	TOOL, KIT, W/ TELESCOPIC WAND, 1.5D [STANDARD]	1
▲	2	9013465	WAND, 2-BEND, TELESCOPIC, 1.5D [STANDARD] (Includes Ring and Coupling)	1
▲	3	9013468	TOOL, PICKUP, HARD FLOOR, 1.5D, 14W	1
▲	4	9013469	TOOL, PICKUP, CARPET, 1.5D, 14W	1
▲	5	605257	RING, LOCK	1
▲	6	600828	NUT, COUPLING, WAND	1
	7	1215380	TOOL, PICKUP, KIT, 3 PCS, 1.5D (Includes upholstery tool, dusting brush and crevice tool)	1
	8	9013731	TOOL, PICKUP, CARPET, 1.5D, HIGH VELOCITY [OPTION]	1

▽ KIT

▲ INCLUDED IN KIT

PREMIUM TOOL KIT



	Ref.	Part No.	Description	Qty.
▽	1	1215379	TOOL, KIT, W/ SIDEWINDER WAND [PREMIUM]	1
▲	2	9013466	WAND, TWO PIECE, STRAIGHT, SIDEWINDER TOOL [PREMIUM]	1
▲	3	9013471	TOOL, PICKUP, CARPET, SIDEWINDER, 18W (Compatible w/ straight wand only)	1
▲	4	9013470	TOOL, PICKUP, HARD FLOOR, SIDEWINDER, 18W (Compatible w/ straight wand only)	1
	5	1215380	TOOL, PICKUP, KIT, 3 PCS, 1.5D (Includes upholstery tool, dusting brush and crevice tool)	1
	6	1215932	TOOL, BRUSH, AIR DUCT W/ ADPTR [OPTION] (Compatible w/ straight wand only)	1

▽ KIT

▲ INCLUDED IN KIT

RECOMMENDED SPARE PARTS LIST

Part No.	Description
9007784	BAG, VACUUM, 6 QT (Pack of 12)
9007866	BAG, VACUUM, 6 QT (Case of 16 Packs=192)
9009380	BAG, VACUUM, 10 QT (Pack of 12)
9009381	BAG, VACUUM, 10 QT (Case of 16 Packs=192)
9007785	BAG, CLOTH, 6 QT
9008926	BAG, CLOTH, 10 QT
9007812	FILTER, HEPA
9007800	FILTER, EXHAUST (Pack of 6)
9014119	SWITCH, W/ HARNESS
9013735	FAN, ASSY, VACUUM, BACKPACK, 120V
9013520	CORD, POWER, 50 FT, YEL, 120V
9013519	BRACKET, RETAINER, CORD
9007791	HOSE, VACUUM
9013468	TOOL, PICKUP, HARD FLOOR, 1.5D, 14W
9013469	TOOL, PICKUP, CARPET, 1.5D, 14W
1215380	TOOL, PICKUP, KIT, 3 PCS, 1.5D (Includes upholstery tool, dusting brush and crevice tool)
9013470	TOOL, PICKUP, HARD FLOOR, SIDEWINDER, 18W (Compatible w/ straight wand only)
9013471	TOOL, PICKUP, CARPET, SIDEWINDER, 18W (Compatible w/ straight wand only)