



TORNADO INDUSTRIES, LLC
3101 WICHITA COURT
FORT WORTH, TX 76140
PHONE 800-VACUUMS
FAX 817-551-0719
WWW.TORNADOVAC.COM

Parts Manual
For Commercial Use Only



**CK LW 13/1 ROAM BATTERY UPRIGHT VACUUM
MODEL NO: 97300**



Long -Term Buyer Protection Limited Warranty

Tornado Industries, LLC. warrants to the end user/ customer that the Tornado product(s) will be free from defects in material and workmanship for the duration(s) described below. This limited warranty DOES NOT cover machines and/or components subject to normal wear and tear, damage that occurs in shipping, failures resulting from modification, accident, unsuitable operating environment, misuse, abuse, **neglect, or improper maintenance**. For full details, contact your Authorized Tornado Distributor, Service Center, or the Tornado Technical Service Department. Tornado sales and service representatives are not authorized to waive or alter the terms of this warranty, or to increase the obligations of Tornado under the warranty.

10 Years*

Plastic water tanks and Rotationally-molded bodies

2 Years*

Parts on all Tornado cleaning equipment

1 Year*

Labor on all Tornado cleaning equipment

1 Year*

Warranty on batteries, one year prorated

All battery warranties are handled directly by the battery manufacturer, on a one year prorated basis

Terms subject to change without notice

1. All Windshear™ Blowers, Storm, TV2SS, Side and Dowlndraft, Insulation Blowers, CV 30, CV 38, CK14/1 PRO, CK 14/2 PRO, SWM 31/9, CK LW13/1, CK LW 13/1 ROAM, CV 38/48 Dual, PV6, PV10, PV6 ROAM, Wall Mount Vacuum and all chargers are warranted for 1 (one) year for both parts and labor.
2. All non-wear item parts purchased after warranty expiration are warranted for 90 days.
3. Warranty starts from either: The date of sale to the consumer, or 6 months after the dealer purchased the unit from Tornado (at Tornado's discretion), whichever comes first.
4. The EB 30 is warranted for a period of 90 days for both parts and labor.
5. Propane-powered equipment engines are limited to the engine manufacturer's warranty.
6. Ride-on Scrubbers are warranted for 24 months parts, and 6 months labor, or 1,000 hours, whichever occurs first.

Note: Tornado, The Latest Dirt, Floorkeeper, Carpet-keeper, Carpetrinser, Carpetrinser/Dryer, Headmaster, Taskforce, PAC-VAC, T-Lite, Glazer, Windshear, Max-Vac and Trot-Mop are trademarks of Tornado Industries

Website: www.tornadovac.com

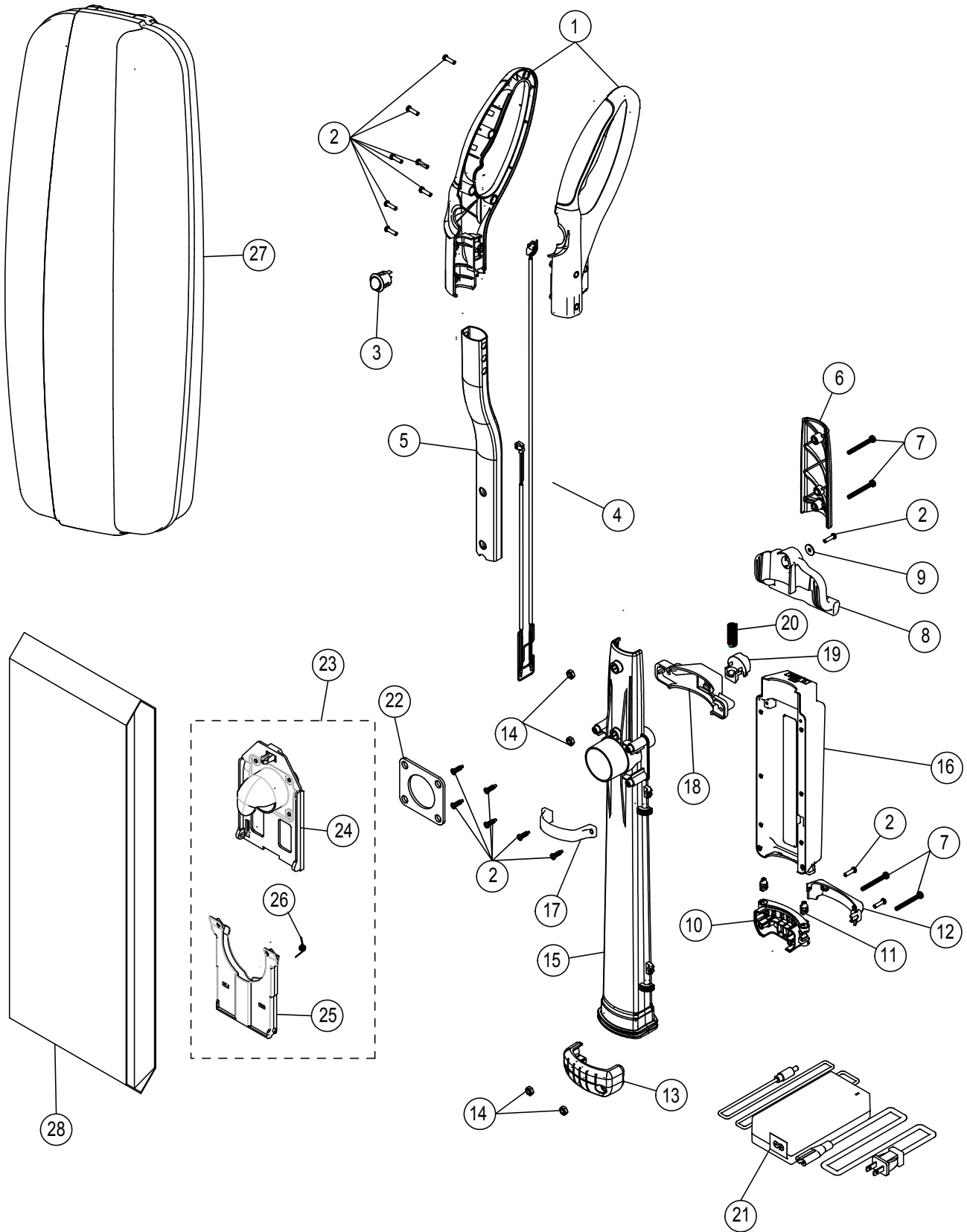
Phone 1-800-VACUUMS

Fax 817-551-0719

Address 3101 Wichita Court

Fort Worth, TX 76140

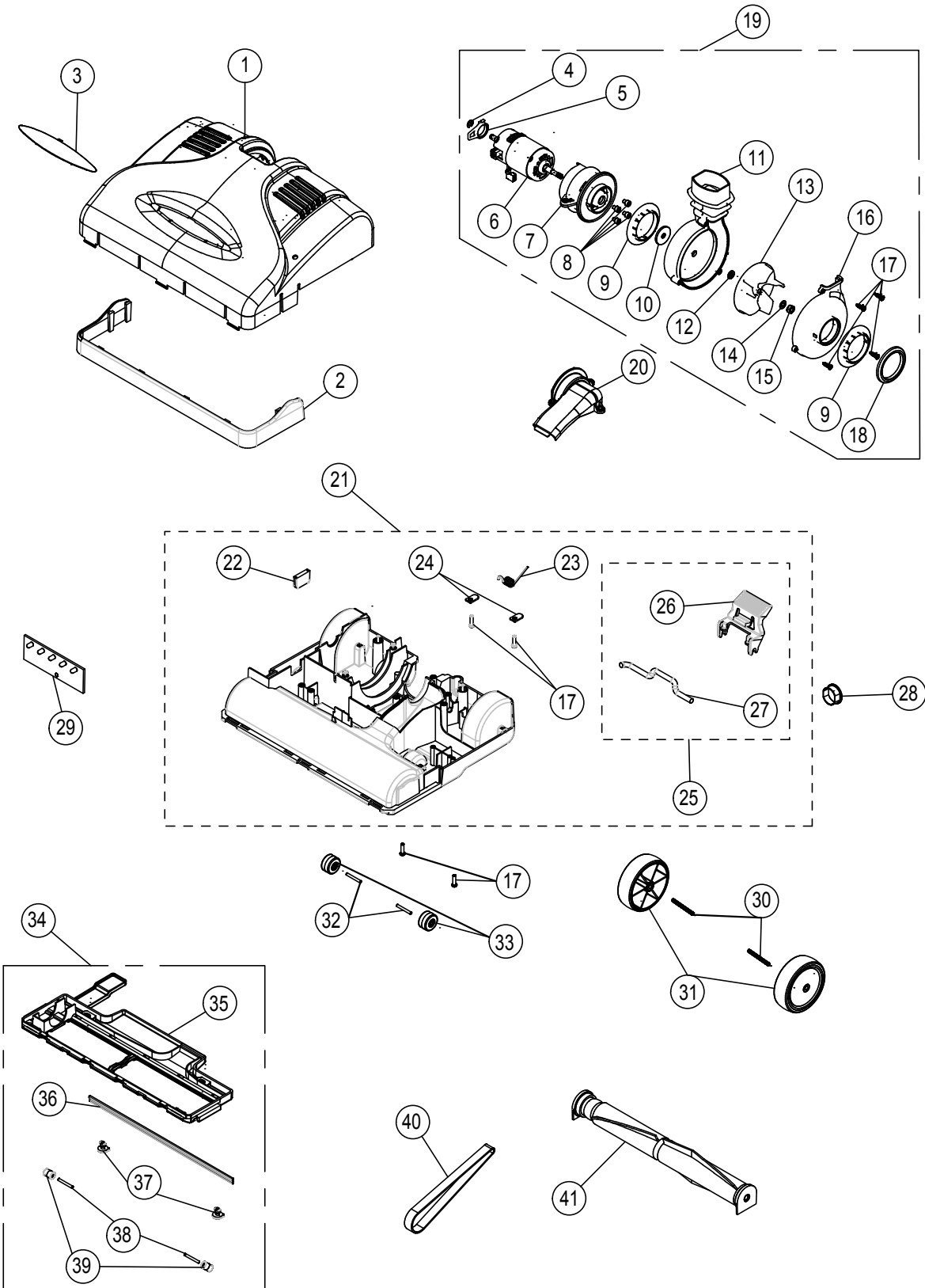
Table of Contents	
Handle and Main Body	4
Nozzle Assembly	6
Agitator Assembly	8



Return To TOC

No.	Part No.	Qty	Description
1	C223-0114	2	Handle Grip Assembly
2	A732-8314	15	Screw
3	A328-1500	1	Switch
4	B223-6000	1	Wire Harness DC Handle/PCB Commercial
5	B220-3400	1	Handle Tube
6	B220-3114	1	Handle Back Cover
7	A432-0705	4	Screw
8	B223-0314	1	Carry Handle
9	A733-5100	1	Washer
10	B223-0914	1	Neck Coupling Back with Posts
11	B223-1300	2	Post
12	B223-1014	1	Cable Cover
13	B220-1014	1	Neck Coupling Front
14	A432-0805	4	Hex Nut
15	B220-3014C	1	Handle Duct
16	C223-1800B	1	Battery
17	B223-0814	1	Battery Clamp
18	B223-4014	1	Latch Case
19	B223-4197	1	Latch Button
20	A224-0600	1	Latch Spring
21	C223-2000	1	Charger
22	B220-3900	1	Bag Mount Seal
23	D484-2282	1	Bag Mount Assembly
24	B220-3814	1	Bag Mount
25	B434-2282	1	Bag Mount Hinge
26	B434-3400	1	Bag Collar Spring
27	B220-6700	1	Hard Shell Bag
28	90039	1	HEPA Bag (6 pack)

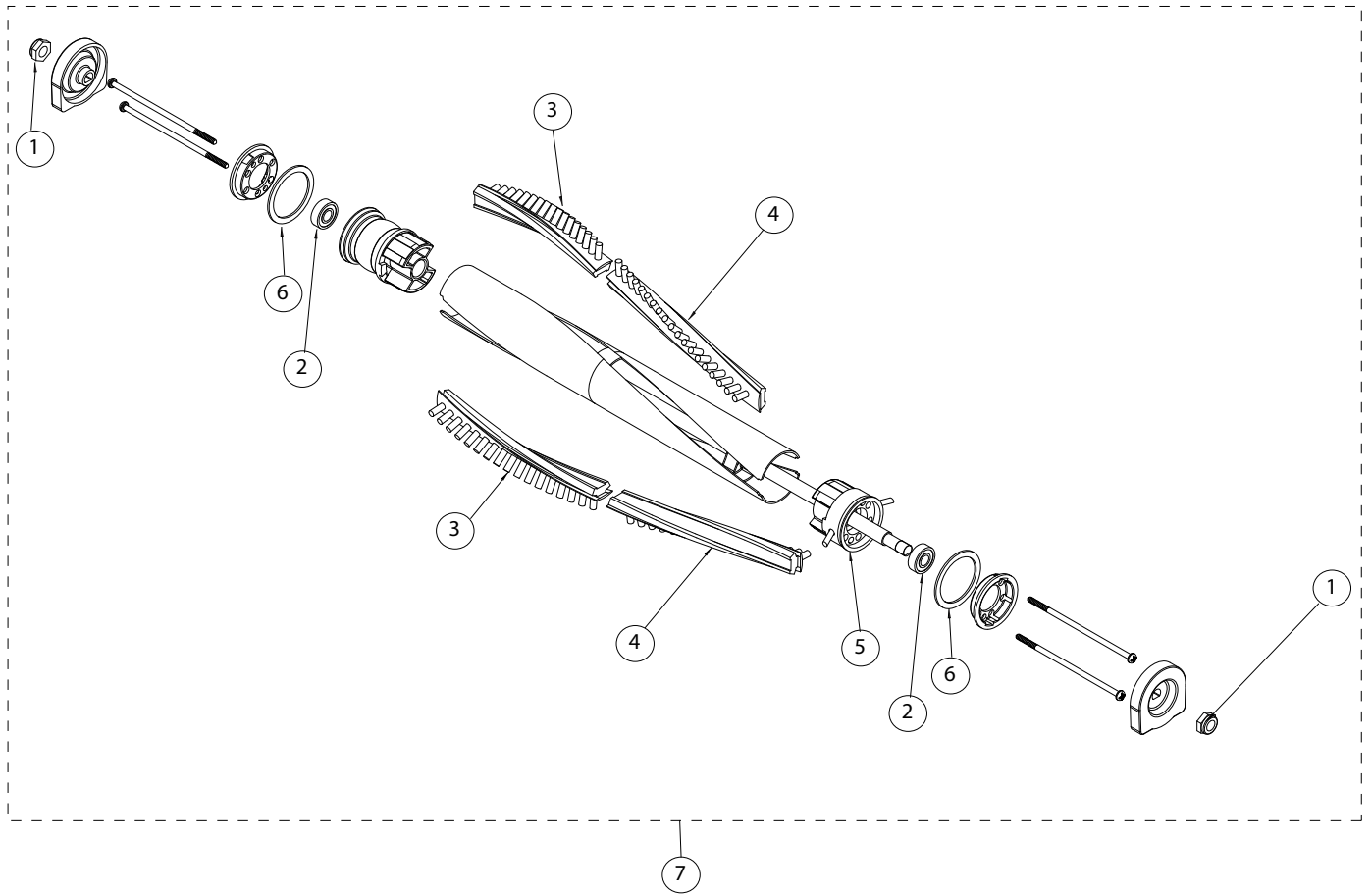
Return To TOC



Return To TOC

No.	Part No.	Qty	Description
1	B220-24TO	1	Nozzle Cover
2	B220-2614	1	Furniture Guard
3	B018-0415	1	Lens
4	A732-3000	1	E Clip
5	B223-2814B	1	Motor Support Boss
6	C223-1600	1	Motor
7	B223-0114	1	Motor Housing
8	A733-5000	4	Screw M5 X 6mm Socket
9	B220-4414	2	Pivot Bushing
10	B220-4500	1	Felt Pivot Seal
11	B220-4014	1	Scroll Housing Right
12	A733-3300	1	Washer (Behind Fan)
13	B220-4314	1	Motor Fan
14	A733-2200	1	Washer
15	A432-0605	1	Hex Nut
16	B220-4114	1	Scroll Housing Left
17	A732-8314	8	Pan Head Hi Lo Screw #8 X 5/8
18	B480-4514	1	Motor Inlet Seal
19	D223-2100	1	Motor Assembly
20	B220-0214	1	Inlet Duct Cover
21	D220-0114	1	Basetray Assembly
22	B016-1914	1	Basetray Plug
23	B220-0900	1	Upright Stop Spring
24	54.136	2	Rear Axle Clamp
25	D220-0714	1	Upright Stop Pedal Assembly
26	B220-0714	1	Upright Stop
27	B220-0800	1	Upright Stop Pivot Pedal
28	A018-1414	1	Hole Plug
29	B317-1150K	1	LED PC Board Commercial
30	B010-2800B	2	Large Wheel Axle
31	C220-0531B	2	Rear Wheel Assembly
32	B010-0001E	2	Small Wheel Axle
33	C010-2714	2	Bottom Plate Wheels
34	D220-0414	1	Baseplate Assembly
35	B220-0314	1	Baseplate
36	B015-3000B	1	Squeegee
37	B220-0414	2	Baseplate Cover Screw
38	B370-1700	2	Bottom Plate Axle
39	B370-1843	2	Front Wheel Assembly with Bushing
40	B014-0814B	1	Belt (2 pack)
41	C223-0200	1	Agitator

Return To TOC



Return To TOC

No.	Part No.	Qty	Description
1	A375-0100	2	1/4-28 Locking Hex Nut
2	A375-0200	2	Bearing
3	B013-0301	2	White Brush Strip Short
4	B013-0401	2	White Brush Strip Long
5	B013-1500	1	Edge Brush Bearing Holder with Bearing
6	B375-3900	2	Felt Seal
7	C223-0200	1	Agitator Assembly with White Bristles

[Return To TOC](#)