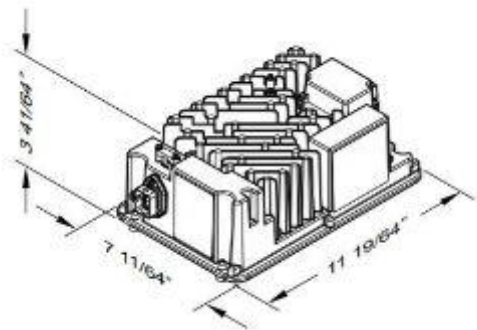


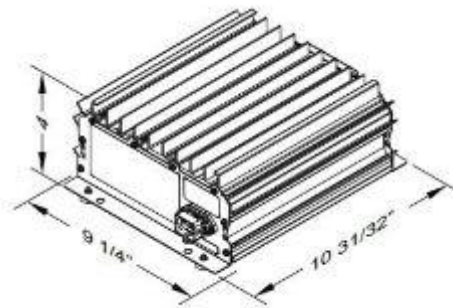
Lestronic II and other Lester Electrical Chargers are being discontinued as of December 21st, 2018. Lester Electrical has determined the following battery charger brands will be discontinued: E-Series, X-Series, E-Series II, Lestronic II and Manual Timer chargers. There will probably be plenty around the first half of 2019, but thereafter what are your options?

You have two options: Change to Lester's newer and smaller Summit Series II switch mode charger or stick with a reliable and familiar transformer-based (and USA made) Quick Charge charger.

Summit Series II Replaces Lestronic II Chargers



The new Summit Series II is smaller and lighter compared to the older Lester models and Lestronic II chargers. There are two Summit Series models available: the 650W and 1050W. There will be a 1425W model



introduced by 2020.

The 650W model measures 11.30 x 7.17 x 3.64 inches.

The 1050W model measures 10.97 x 9.25 x 4.00 inches.

Compare that to previous chargers measuring 10.25 x 8.70 x 8.75 (and bigger), the Summit Series II takes up about 60% less space. They weigh up to 75% less at a whopping 8 pounds.

These new chargers are designed with industry-leading charging intelligence and an unparalleled feature set:



The Bluetooth and Cloud Connectivity are welcomed features for fleet management. They enable you to monitor charging and battery health from a phone or tablet as well as upload various charge profiles adapted to your specific charging needs.

The multi-voltage input and output makes selecting the correct charger much easier for commercial and industrial outfits. Here is what you can expect output wise from each model:

Voltage / Model	24 Volt	36 Volt	48 Volt
Summit II 650W	27 Amp	18 Amp	13.5 Amp
Summit II 1050W	25 Amp	25 Amp	22 Amp