

# KÄRCHER

makes a difference

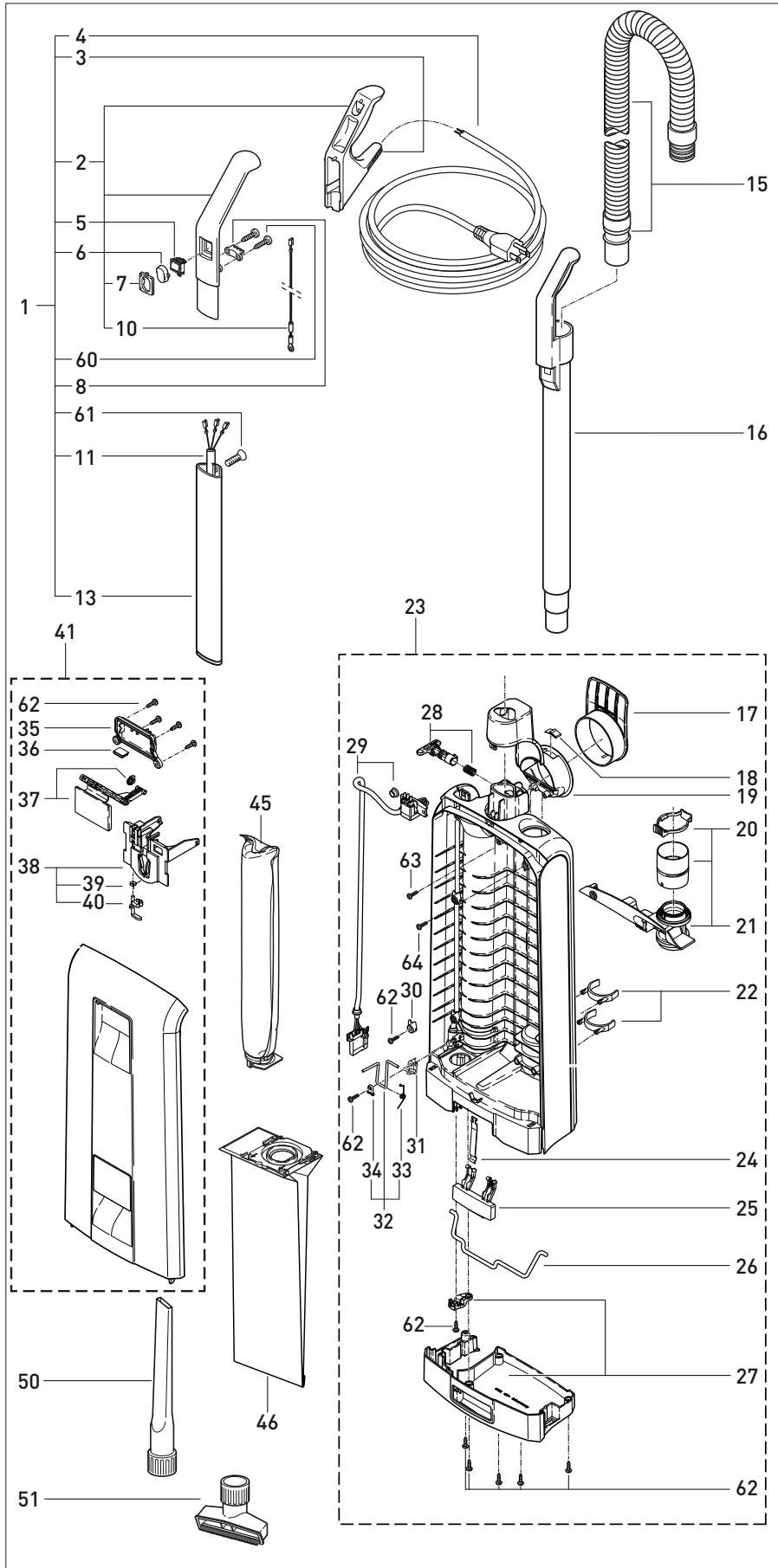
## Spare Parts List

**(1.012-615.0)**

### Sensor S12

From Serial No. # G547001011  
If Serial Number not listed,  
Contact Manufacturer

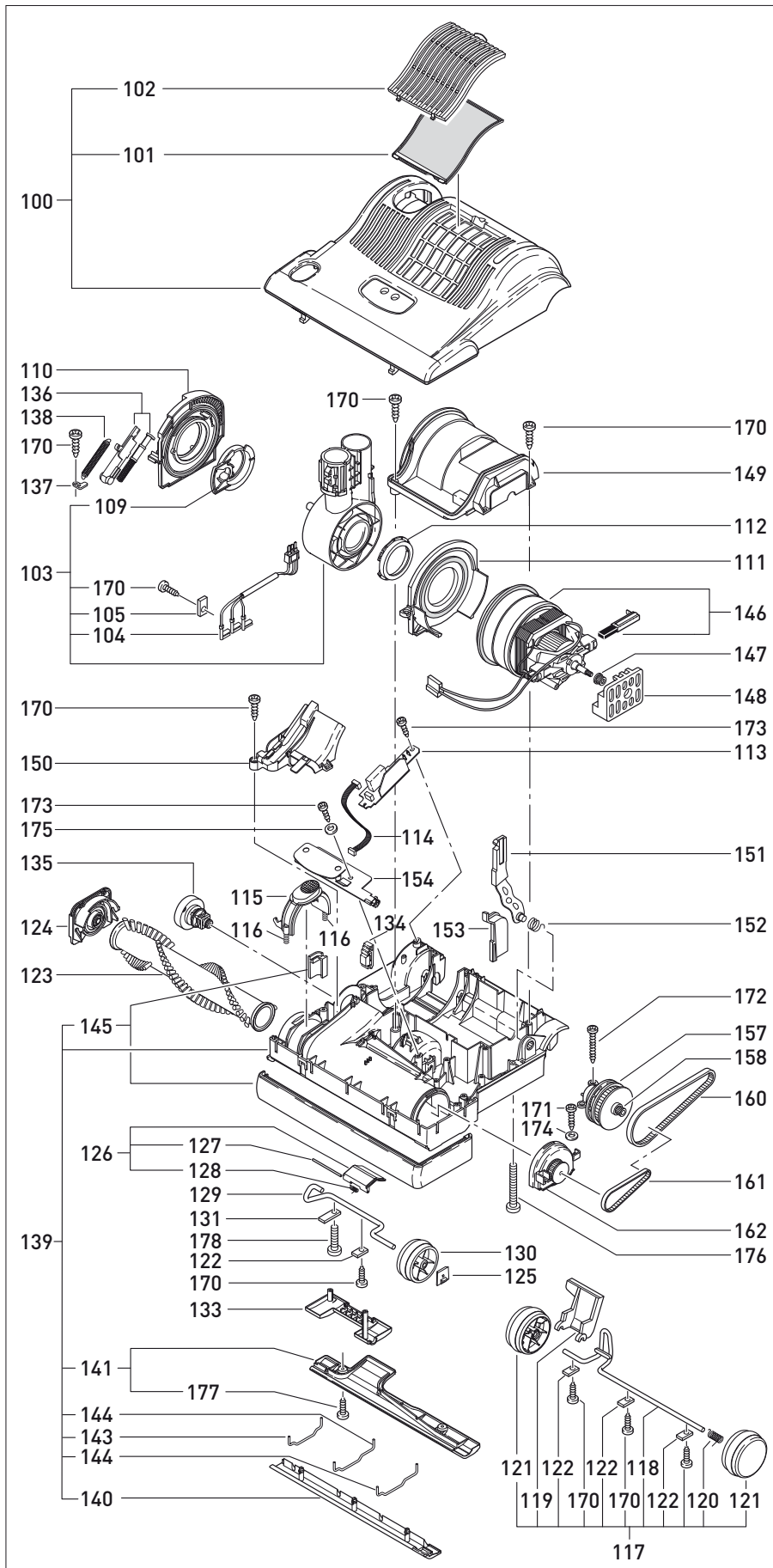
# Filter Bag Housing



## Filter Bag Housing

ITEM	PART NO.	REF NO.	DESCRIPTION	NOTES
1	86407970	5625WI	HANDLE WITH CABLE, CPL., BLACK/ZINC YELLOW	
2	86372980	5295WI	HANDLE GRIP SR, BLACK	
3	86319140	5359SW	GROMMET, BLACK	
4	86139130	5260KA	CABLE, YELLOW	
5	86319160	05113	SWITCH	
6	86407990	5160zg	SWITCH CAP, ZINC YELLOW	
7	86319180	5161sw	SWITCH CAP HOLDER, BLACK	
8	86139280	5162	CABLE CLAMP	
10	86137780	0846	WIRE ANTISTATIC	
11	86142310	5256ER	HANDLE CABLE, 3-WIRE	
13	86142300	5187	HANDLE TUBE	
15	86142650	5040sb	HOSE, SENSOR SILVER	
16	86319200	5045sw	EXTENSION TUBE WITHOUT HOSE, BLACK	
17	86433920	51108kg	CABLE HOOK, KARCHER GRAY, SPARE PART	
18	86145350	5146	STOP SPRING	
19	86433930	51109bg	CARRYING HANDLE, BASALT GRAY	
20	86414170	5424kg	RETAINING RING, KARCHER GRAY	
21	86433940	51115bg	INTERNAL COVER, CPL., BASALT GREY	
22	86319250	1823sw	ATTACHMENT CLIP DUST BAG HOUSE SR XP, BLACK	
23	86433950	51150WI	DUST BAG HOUSING, CPL., BASALT GREY	
24	86145280	5084	SPRING FOR LOCKING ROD	
25	86433960	51103kg	DUST BAG HOUSING LOCKING CATCH, KARCHER GRAY	
26	86143120	5083	LOCKING ROD	
27	86433970	51102bg	DUST BAG HOUSING BUMPER BASE, BASALT GRAY	
28	86433980	51110ER	LOCK CATCH INCL. SPRING, GREY BLACK	
29	86433990	51117ER	INTERNAL CABLE	
30	86139290	5164	CABLE CLAMP	
31	86139320	5266	CABLE CLAMP	
32	86141620	5208	FILTER SAFETY CATCH, CPL., INCL. POS. 33 AND 34	
33	86145320	5210	RETURN SPRING	
34	86139970	1073	CLAMP	
35	86434000	51159gs	COVER, GRAY BLACK	
36	86145340	5319	BAG HOLDER SPRING	
37	86434010	51153ZG	COVER RELEASE XP 2017, ZINC YELLOW	
38	86138040	1847	BAG HOLDER, CPL., INCL. POS. 39 + 40	
39	86144760	5091	SAFETY CATCH SPRING	
40	86144750	1817	SAFETY CATCH	
41	86434020	51151BG	FRONT COVER, CPL., BASALT GRAY	
45	86005220	5301ER	MICRO HYGIENE FILTER	
46	86000500	5300	SENSOR FILTER BAG PACK (PACKED IN 10)	
50	86319300	1092sw	CREVICE NOZZLE	
51	86319290	1491sw	UPHOLSTERY NOZZLE	
60	86147040	0103ER	SCREW C 3,9X15	
61	86147140	0129ER	SCREW M4X12	
62	86363370	01036ER	SCREW M4 X 14 TX 20	
63	86434030	01036SW	AMTEC-SCREW 4X14 TX 20 BLACK	
64	86434040	01047ER	AMTEC-SCREW 3X12 TX 10 BLACK	

# Power Head - S12



ITEM	PART NO.	REF NO.	DESCRIPTION	NOTES
100	86408390	2831BG	POWER HEAD COVER S 12, CPL., BASALT GRAY	
101	86141400	2846	EXHAUST FILTER	
102	86408400	2820BG	EXHAUST FILTER COVER, BASALT GRAY	
103	86435480	20827WI	SWIVEL NECK ASSEMBLY LT GRAY/ZINC YELLOW	
104	86143180	2886	MALE CONTACT HOLDER	
105	86139230	2494	CABLE CLAMP	
109	86145900	2825	SWIVEL NECK BEARING	
110	86145890	2824	SWIVEL NECK SUPPORT R.H.	
111	86146110	5479	SWIVEL NECK SUPPORT L.H.	
112	86146130	5717	SWIVEL NECK BEARING	
113	86143800	2890ER	PCB POWER SUPPLY	
114	86142780	0864	INTERNAL CABLE, RIBBON	
115	86408420	5713kg	BRUSH ROLLER RELEASE, KARCHER GRAY	
116	86145290	5103	SPRING	
117	86406110	5051zg	AXLE ASSEMBLY, ZINC YELLOW	
118	86137990	5053	AXLE	
119	86406120	5059zg	FOOT PEDAL, ZINC YELLOW	
120	86146570	2010	WHEEL RETURN SPRING	
121	86319360	5819sw	WHEEL, BLACK	
122	86140000	2014	CLAMP CONNECTING ROD AXLE	
123	86004950	5010WI	BRUSH ROLLER 12"	
124	86406130	5287bg	BEARING BLK, RH SR12, BLACK/BASALT GRAY	
125	86320320	2869sw	RUBBING PLATE, BLACK	
126	86400150	2868zg	ACCESS DOOR, ZINC YELLOW	
127	86138000	5303	ACCESS DOOR AXLE	
128	86145330	5304	ACCESS DOOR SPRING	
129	86143850	2861	PILE ADJUSTMENT AXLE	
130	86319380	5174sw	PILE ADJUSTMENT WHEEL, BLACK	
131	86137920	2849	AXLE CLAMP	
133	86319390	2860sw	COVER, BLACK	
134	86146220	2833	THRUST MEMBER	
135	86408440	2862zg	PILE ADJUSTMENT KNOB, ZINC YELLOW	
136	86146230	2834	THRUST MEMBER	
137	86140010	2856	CLAMP	
138	86145250	2867	SPRING	
139	86408450	2821KA	CHASSIS SRS 12, CPL, BLACK	
140	86406170	5411gs	BOTTOM PLATE,FRT,CLP,GRAY BLACK, SR12	
141	86408460	2829gs	REAR BOTTOM PLATE SRS12, CPL, GRAY BLACK	
143	86146790	5401	WIRE TIE, BOTTOM PLATE, OUTER	
144	86146800	5402	WIRE TIE, BOTTOM PLATE, CENTER	
145	86319410	5005sw	BUMPER BLACK (2PC SR12)	
146	86143630	5469	MOTOR 1000 W / 120 V	
-	86139400	05117S	CARBON BRUSH SET 100-120V	
-	86146210	05135ST	THERMO SWITCH VAC	
147	86143620	5462	VACUUM MOTOR PULLEY 2MR	
148	86144710	5100	RUBBER MOUNTING	
149	86408470	2826GS	MOTOR COVER, GRAY BLACK	
150	86140610	2839SW	COVER FOR AIR CHANNEL	
151	86435490	50129	SUPPORT LEVER	
152	86145460	5107-1	SUPPORT SPRING	
153	86143570	5112sw	MOTOR PULLEY COVER	
154	86435500	20881ER	COMPUTER CONTROLLER	
157	86145050	5464	SENSOR SRS12 CPL	
158	86143580	5117/1	MOTOR PULLEY	
160	86138240	5463	BELT 2MR-310-6	
161	86005000	5110	BELT HTD-II-6, 219 3M	

## Power Head - S12 Continued

---

ITEM	PART NO.	REF NO.	DESCRIPTION	NOTES
162	86138200	5766hg	BEARING BLOCK L.H. CPL.	
170	86147030	0102	SCREW, M3, 9x13 DIN 7981	
171	86147040	0103	SCREW C 3.9 x 16 DIN 7981	
172	86147050	0104	SCREW M3.9 x 25 MM	
173	86321410	01029	SCREW 2.9 X 13 W/WASHER	
174	86146540	0140	WASHER 4.3, DIN 125	
175	86147190	0143	WASHER 3.2, DIN 125	
176	86147170	0176	SCREW M4 X 30	
177	86144850	0197	SCREW, M4 X 12, W/WASHER	
178	86144860	01010	SCREW, M4 x 16, DIN 7985	

Wiring UL approved types WIVGP01, WIVGP02  
 Karcher types SRS 12, SRS 15  
 120 V, 60 Hz, 3-wire

