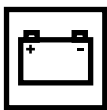
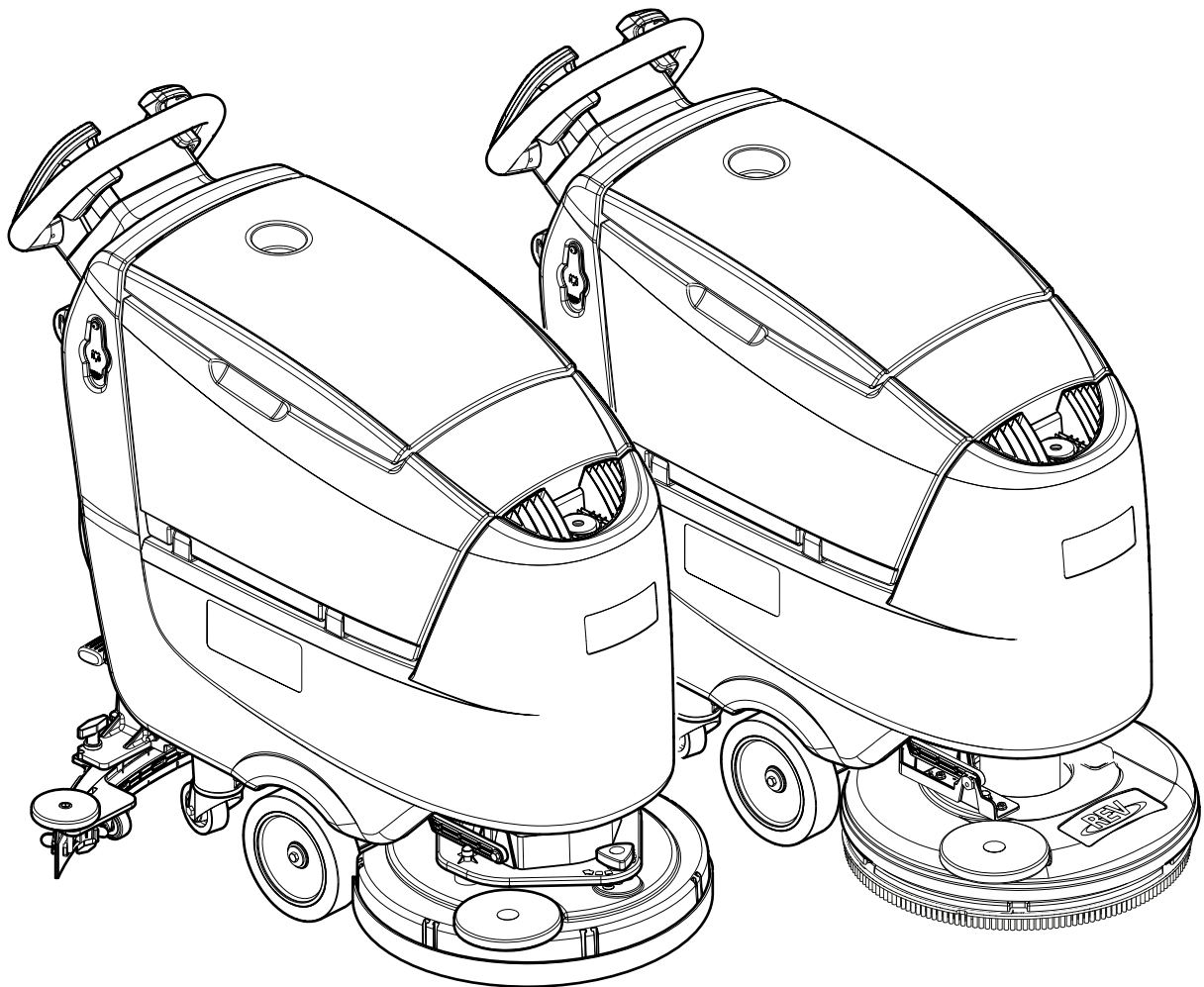


SC500

Parts list

11/2014 Revised 01/2018
(E)
FORM NO. 9099981000

ecoflex™



Models No.:
9087352020, 9087353020, 9087354020
9087403020, 9087405020, 9087404020

TABLE OF CONTENTS

| | |
|---|----|
| GENERAL VIEW | 2 |
| SOLUTION TANK SYSTEM | 4 |
| RECOVERY TANK SYSTEM | 6 |
| MOTOR DRIVE SYSTEM DISC | 8 |
| MOTOR DRIVE SYSTEM REV | 10 |
| PADDLE AND DASHBOARD SYSTEM (Models No.: 9087352020, 9087353020, 9087354020)..... | 12 |
| PADDLE AND DASHBOARD SYSTEM (Models No.: 9087403020, 9087405020, 9087404020)..... | 14 |
| REAR WHEELS SYSTEM..... | 16 |
| SQUEEGEE SYSTEM..... | 18 |
| DISC DECK SYSTEM | 20 |
| REV DECK SYSTEM | 22 |
| ELECTRICAL COMPONENTS SYSTEM..... | 24 |
| BATTERY CHARGER SYSTEM..... | 26 |
| ECOFLEX SYSTEM (Models No.: 9087352020, 9087353020, 9087354020) | 28 |
| ECOFLEX SYSTEM (Models No.: 9087403020, 9087405020, 9087404020) | 30 |
| SPLASH GUARD, MOP AND TRASH..... | 32 |
| WATER FILLING, USB PORT | 34 |
| BRUSHES | 36 |
| WIRING DIAGRAM (Models No.: 9087352020, 9087353020, 9087354020)..... | 38 |
| WIRING DIAGRAM (Models No.: 9087403020, 9087405020, 9087404020)..... | 40 |
| RECOMMENDED PARTS..... | 42 |
| RECOMMENDED PARTS - ACCESSORIES/OPTIONALS | 43 |

WHEN ORDERING PARTS

- Use the part numbers from the “REF. NO.” columns in this parts list. If the “REF. NO.” column is blank; look under the “KIT” column to identify which kit contains the part in question, then use the kit callout, for example “K1”, to find the “REF. NO.” for that kit.
- Specify the model number and serial number of the machine.
- Use the space below to record the model number and serial number for future reference.

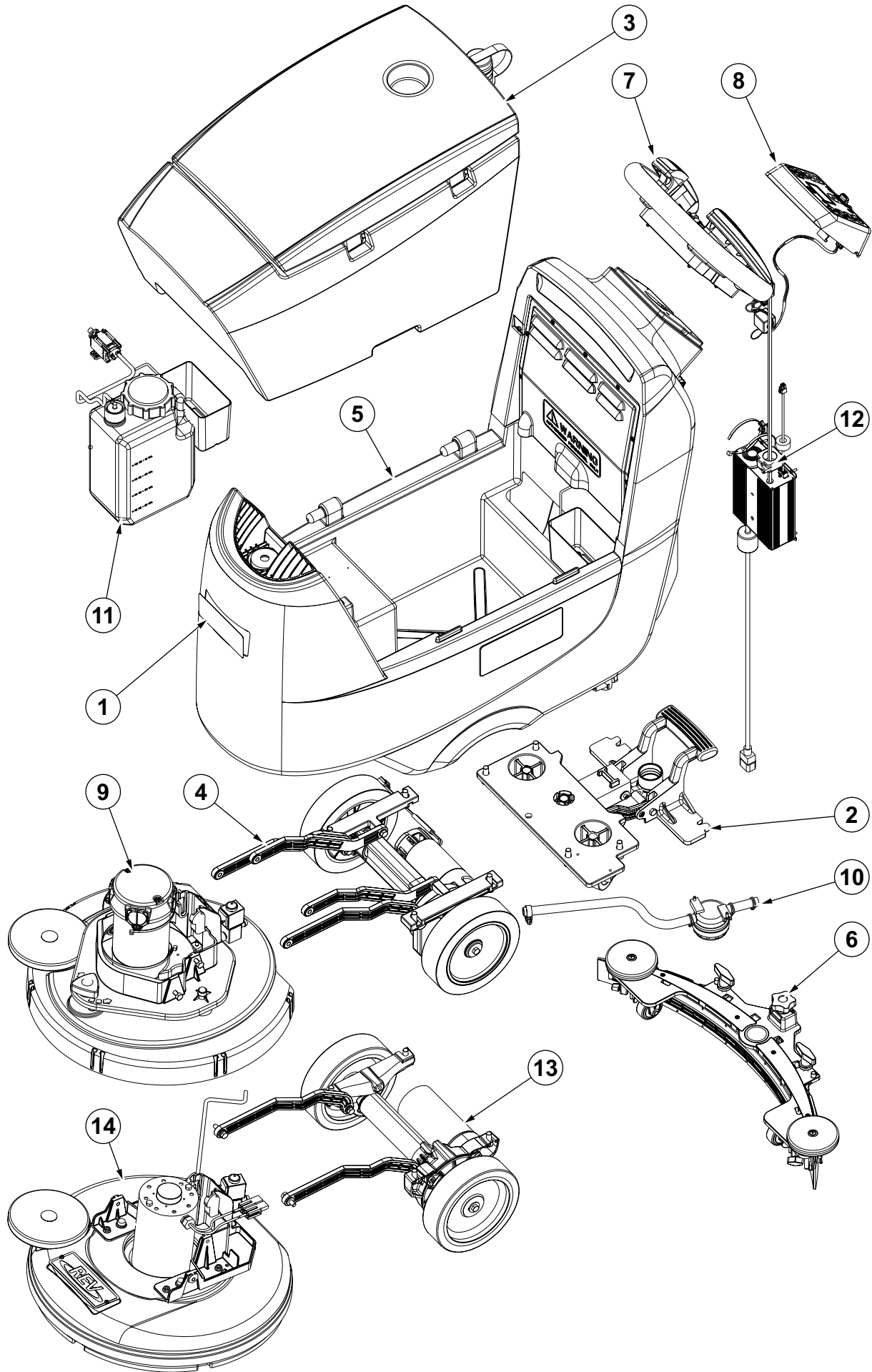
Model No.: Serial No.:

* = Optional

= Modified item No. or New item No.

[] = Not shown

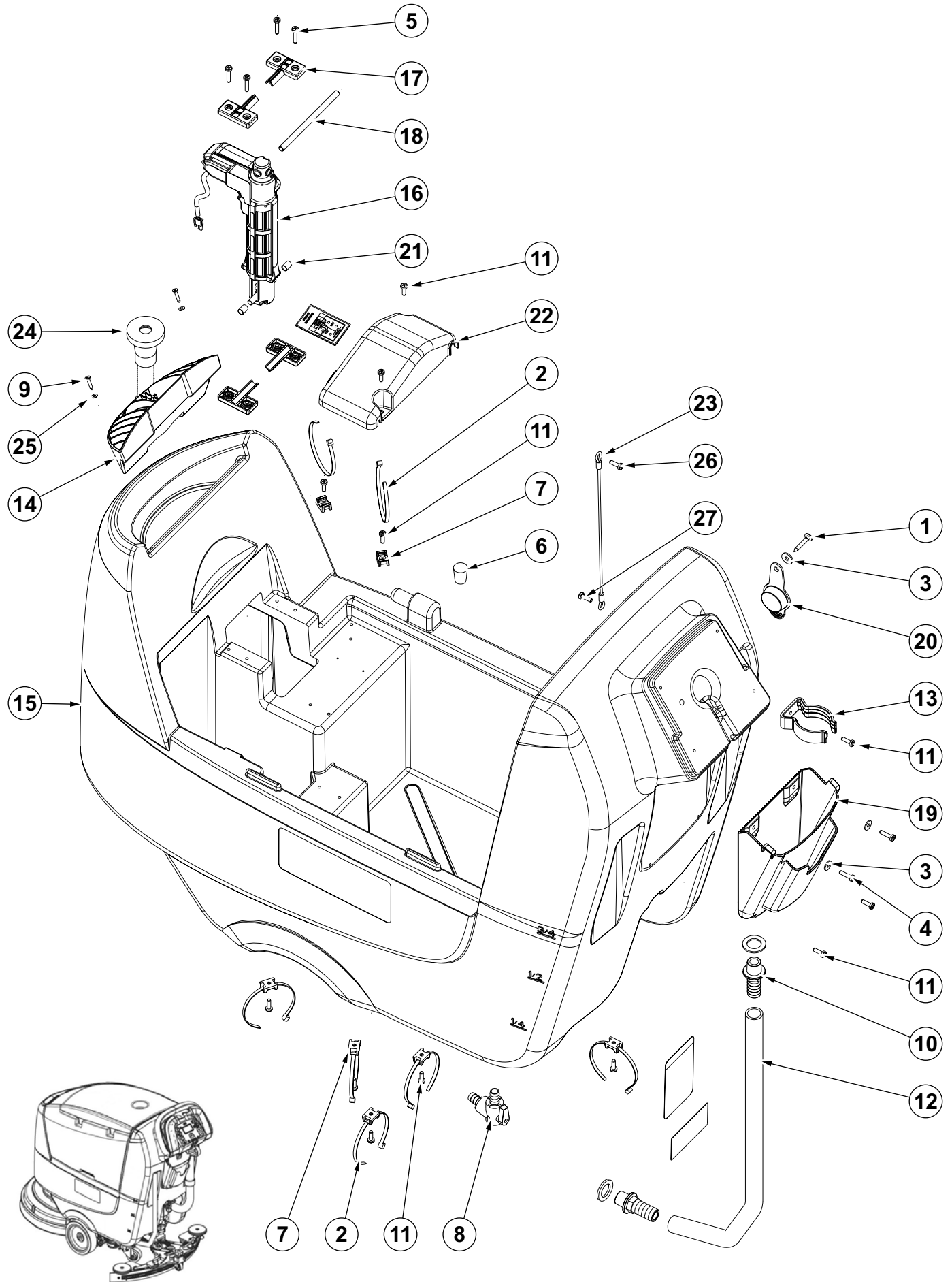
GENERAL VIEW



GENERAL VIEW

| KIT | ITEM | REF. NO. | QTY | DESCRIPTION | NOTE |
|-----|------|------------|-----|-------------------------------|------|
| | 1 | 9100002405 | 1 | DECALS ADVANCE SC500 KIT | |
| | 2 | - | 1 | WHEELS REAR-SQUEEGEE ASSEMBLY | |
| | 3 | - | 1 | TANK RECOVERY ASSEMBLY | |
| | 4 | - | 1 | MOTOR DRIVE ASSEMBLY | |
| | 5 | - | 1 | TANK SOLUTION ASSEMBLY | |
| | 6 | - | 1 | SQUEEGEE ASSEMBLY | |
| | 7 | - | 1 | PADDLE ASSEMBLY | |
| | 8 | - | 1 | PANEL CONTROL ASSEMBLY | |
| | 9 | - | 1 | DECK BRUSH ASSEMBLY | |
| | 10 | - | 1 | SYSTEM SOLUTION ASSEMBLY | |
| | 11 | - | 1 | ECOFLEX ASSEMBLY | |
| | 12 | - | 1 | CHARGER BATTERY ASSEMBLY | |
| | 13 | - | 1 | REV MOTOR DRIVE ASSEMBLY | |
| | 14 | - | 1 | REV BRUSH ASSEMBLY | |

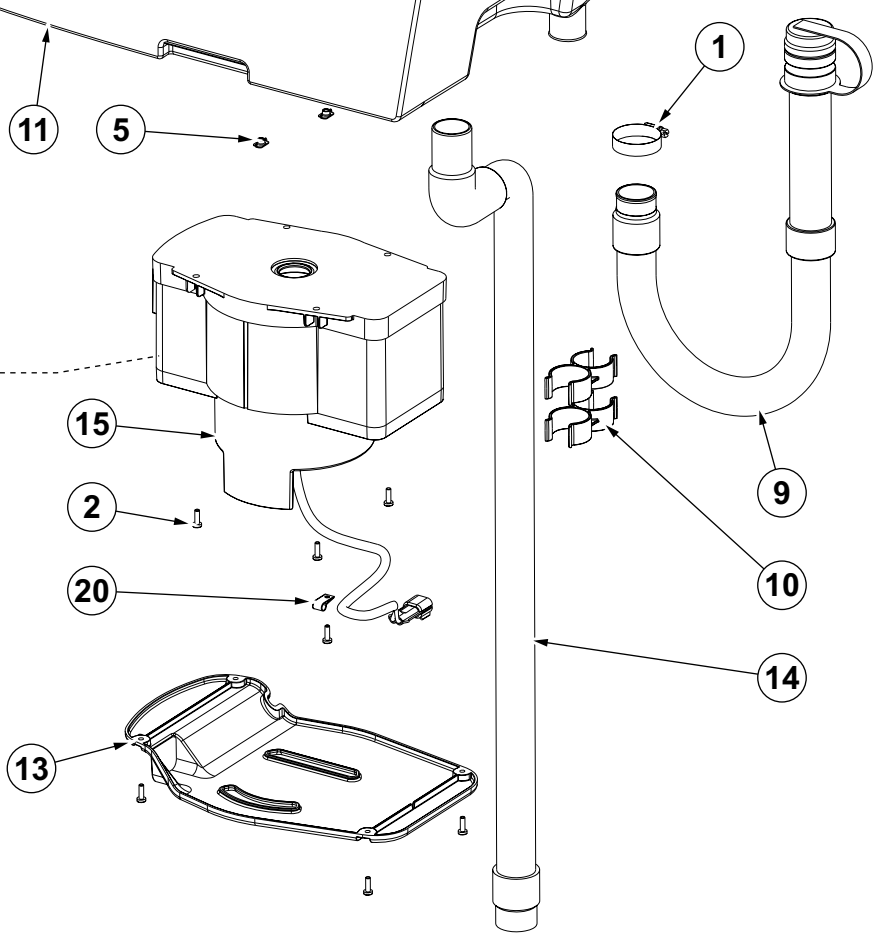
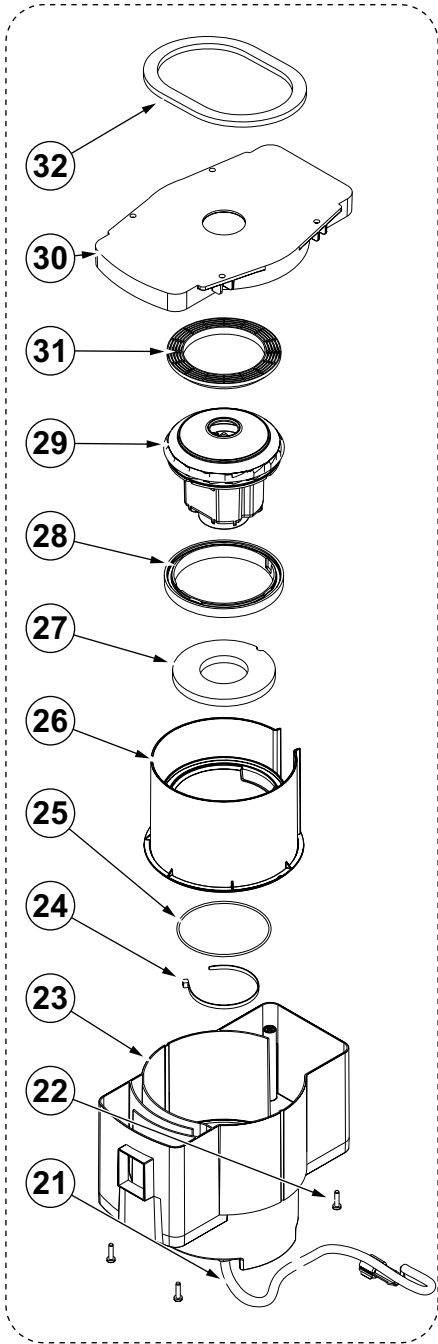
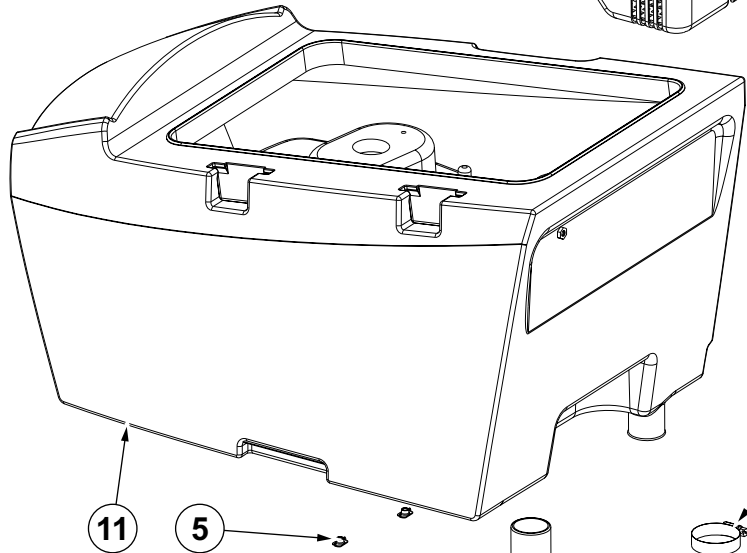
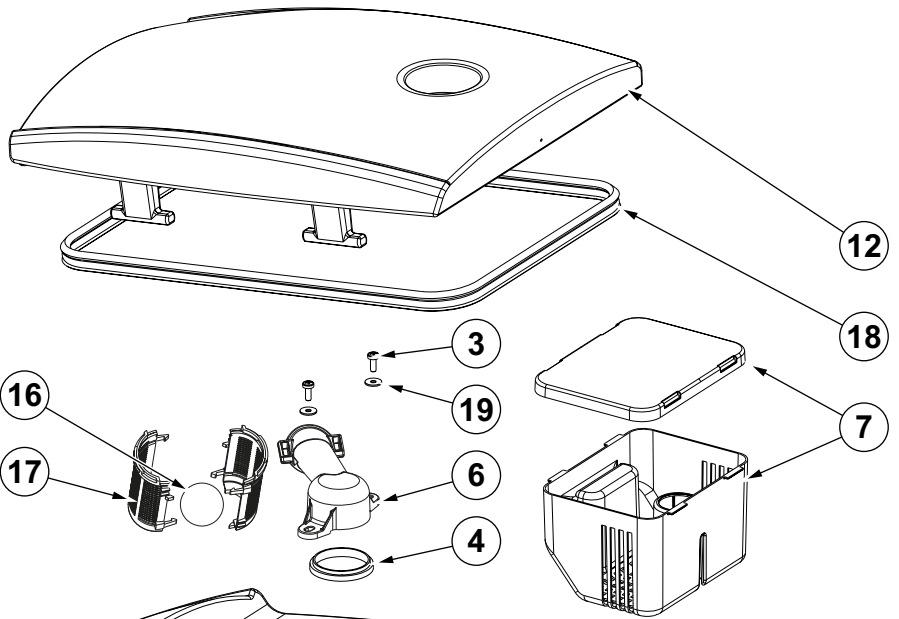
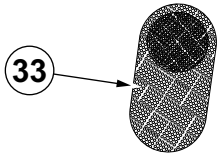
SOLUTION TANK SYSTEM



SOLUTION TANK SYSTEM

| KIT | ITEM | REF. NO. | QTY | DESCRIPTION | NOTE |
|-----|------------|-------------------|----------|--|---------------------|
| K2 | 1 | | 1 | SCREW 5X35 SELF THD TAPPING AW20 BLACK | |
| K2 | 2 | | 8 | TIE CABLE 4.8x200 BLACK | |
| K2 | 3 | | 1 | WASHER 6X18X1.5 UNI6593 SS | |
| K2 | 4 | | 2 | SCREW CYL HD 5X20 SELF L. PLASTOFAST | |
| K1 | 5 | | 4 | SCREW CYL HD 5X25 SELF L. PLASTOFAST | |
| K2 | 6 | | 1 | CAP BLACK | |
| K2 | 7 | | 8 | HOLDER.FLAT TIE | |
| | 8 | 9100000803 | 1 | VALVE ELBOW SIP | |
| K2 | 9 | | 2 | SCREW 3.9X22 UNI6955 SS | |
| | 10 | 9100000574 | 2 | FITTING STRAIGHT G1/2 D.20 KIT | |
| K2 | 11 | | 13 | SCREW CYL HD 5X16 SELF L. PLASTOFAST | |
| | 12 | 9098446000 | 1 | HOSE SOLUTION | |
| | 13 | 909 6380 000 | 1 | CLAMP KIT | |
| | 14 | 9100000899 | 1 | FILTER WATER INLET SIP | |
| | 15 | 9100000804 | 1 | TANK SOLUTION 40 LT GREY SIP | |
| | 16 | 9100000805 | 1 | ACTUATOR LINEAR 24V DC STRK 120MM SIP | FOR DISC VERSION |
| | 16 | 9100000806 | 1 | ACTUATOR LINEAR 24V DC STRK 98MM SIP | FOR REV VERSION |
| K1 | 17 | | 4 | PLATE FOR JACK MOTOR RETAINER | |
| K1 | 18 | | 1 | PIN CYLINDR. D.8X140 ISO2338 NO TEMPERED | |
| | 19 | 9100000807 | 1 | BOX F CHARGER CABLE SIP | |
| | 20 | 9100000808 | 1 | RUBBER SOLUTION CAP SIP | |
| K1 | 21 | 9100002105 | 1 | CAP D.9 PLASTIC 10 PCS SET | SEE TSB-FC-2016-021 |
| | 22 | 9100000809 | 1 | COVER DETERGENT MIX PUMP SIP | |
| K3 | 23 | | 1 | CABLE SAFETY F TANK | |
| | 24* | 9100000703 | 1 | HOSE FILLING SIP | SEE TSB-FC-2016-020 |
| K2 | 25 | | 2 | WASHER M4 UNI6592 SS | |
| K3 | 26 | | 1 | SCREW CYL HD 5X16 SELF L. PLASTOFAST | |
| K3 | 27 | | 1 | SCREW M5X16 UNI7687 SS | |
| | [K1] | 9100000737 | 1 | ACTUATOR FIXING KIT | |
| | [K2] | 9100000738 | 1 | HARDWARE SOLUTION TANK KIT | |
| | [K3] | 9100000794 | 1 | CABLE SAFETY F TANK KIT | |

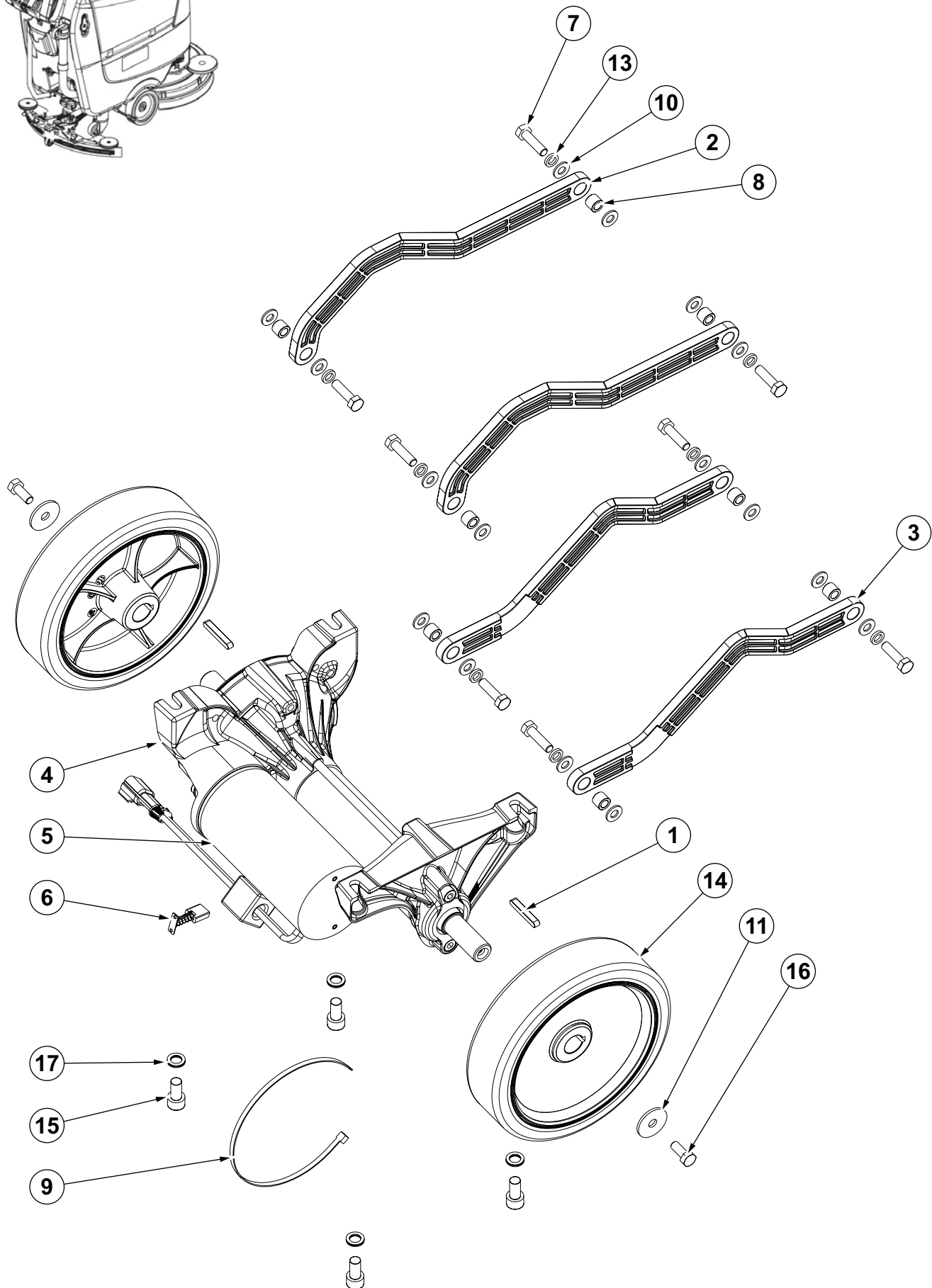
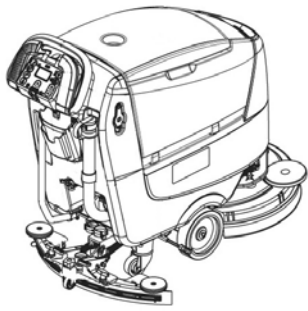
RECOVERY TANK SYSTEM



RECOVERY TANK SYSTEM

| KIT | ITEM | REF. NO. | QTY | DESCRIPTION | NOTE |
|-----|-------------|---------------------|----------|---|--|
| K3 | 1 | 9100001348 | 1 | CLAMP 14/32-52 10 PCS SET | |
| K3 | 2 | | 9 | SCREW M5X12 UNI7687 | |
| K1 | 3 | | 2 | SCREW M6X16 UNI7687 SS | |
| K1 | 4 | 9100000928 | 1 | GASKET FLOAT SUPPORT SIP | |
| K3 | 5 | | 2 | NUT JAW M6X6 INOX SS | |
| K1 | 6 | | 1 | CAGE FLOAT | |
| | [7]* | 9100000795 | 1 | TRAY DEBRIS KIT | |
| | 9 | 9100000812 | 1 | HOSE DRAIN BLACK SIP | |
| | 10 | 9100000889 | 1 | CLIP HOSE STOPPING 2 PCS SET | |
| | 11 | 9100000813 | 1 | TANK RECOVERY 40 LT GREY SIP | |
| | 12 | 9100000814 | 1 | COVER TANK GREY SIP | |
| | 13 | 9100000815 | 1 | COVER F VACUUM MOTOR SOUNDPR. SIP | |
| | 14 | 9100000816 | 1 | HOSE SUCTION BLACK SIP | |
| | 15 | 9100000904 | 1 | MOTOR VACUUM 24V 280W CPL KIT | |
| | 15* | 9100000491 | 1 | HIGH POWER VACUUM MOTOR 24V 450W KIT | (9100000753) INSTALLATION INSTRUCTIONS |
| | 16 | 9100000817 | 1 | BALL FLOATING SIP | |
| | 17 | 9100000818 | 1 | CAGE FLOAT HALF 2 PCS SET | |
| | 18 | 9100000819 | 1 | GASKET BULB RUBBER L.1670MM SIP | |
| K1 | 19 | | 2 | WASHER 6X18X1.5 UNI6593 SS | |
| K3 | 20 | | 1 | CLAMP CABLE BLACK | |
| | 21 | 9100000820 | 1 | HARNESS VACUUM MOTOR SIP | |
| K3 | 22 | | 4 | SCREW CYL HD 5X20 SELF L. PLASTOFAST | |
| | 23 | 9100000821 | 1 | SUPPORT EXT. INSULATION VAC. MOTOR SIP | |
| K3 | 24 | | 1 | TIE CABLE 4.8x200 BLACK | |
| K2 | 25 | | 1 | O-RING 2.5X109 EPDM | |
| | 26 | 9100000822 | 1 | SUPPORT INT. INSULATION VAC. MOTOR SIP | |
| K2 | 27 | | 1 | GASKET COLLECTOR | |
| K2 | 28 | | 1 | RUBBER SEALING DOMEL UPPER | |
| | 29 | 9100000823 | 1 | MOTOR VACUUM 24V 280W SIP | |
| | 30 | 9100000824 | 1 | SUPP. UPPER F VAC. MOTOR SOUNDPR. SIP | |
| K2 | 31 | | 1 | MOTOR GASKET LOWER DOMEL | |
| K2 | 32 | | 1 | GASKET VACUUM MOTOR | |
| | 33* | 909 5065 000 | 1 | FILTER ANTIFOAMING | |
| | [K1] | 9100001875 | 1 | SUPPORT FLOAT KIT | |
| | [K2] | 9100000739 | 1 | GASKETS VACUUM MOTOR KIT | |
| | [K3] | 9100000740 | 1 | HARDWARE RECOVERY TANK KIT | |

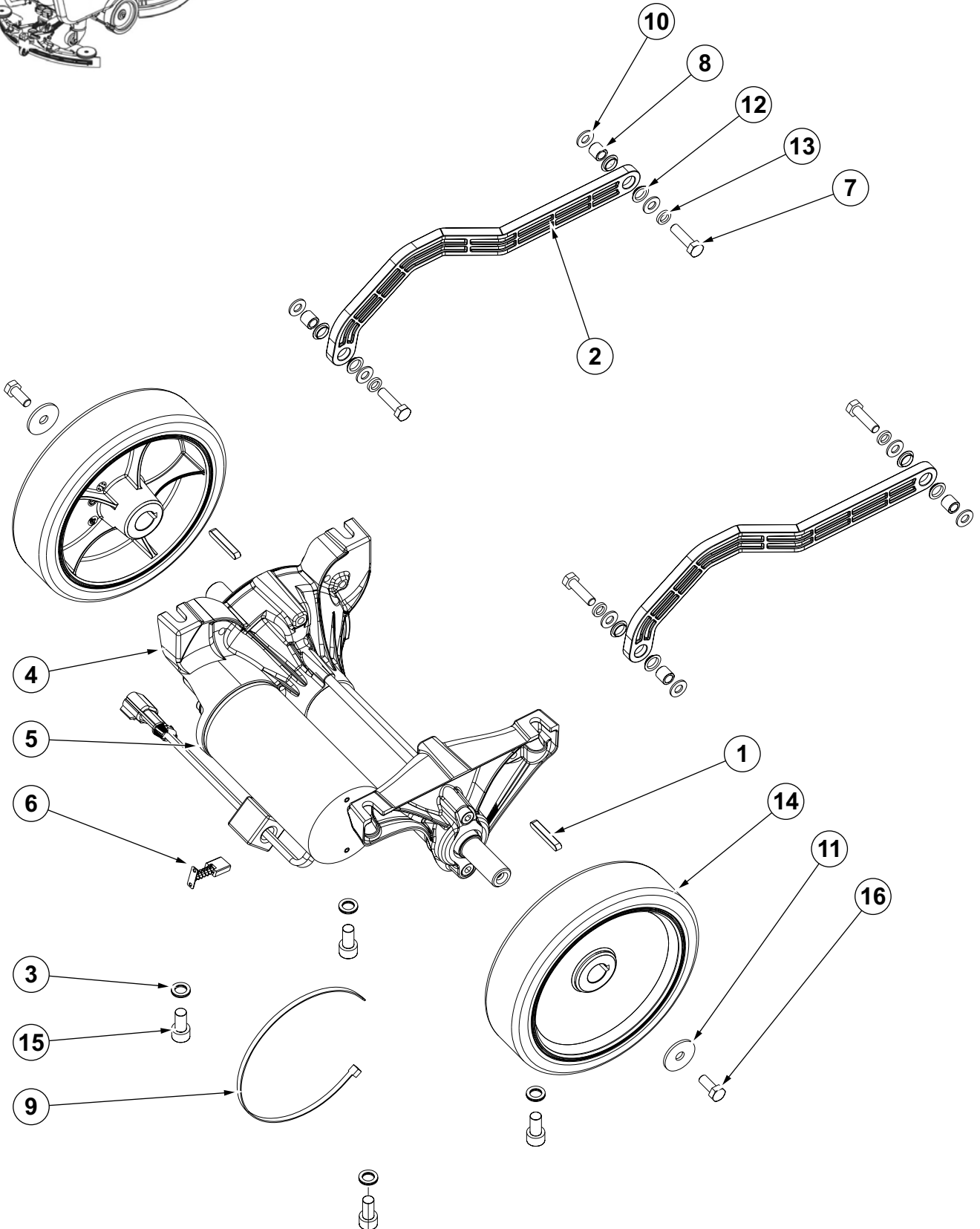
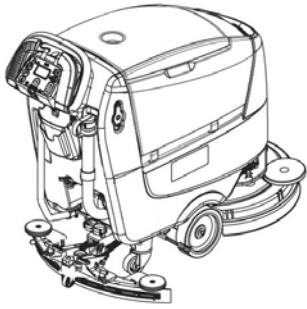
MOTOR DRIVE SYSTEM DISC



MOTOR DRIVE SYSTEM DISC

| KIT | ITEM | REF. NO. | QTY | DESCRIPTION | NOTE |
|-----|-------|--------------|-----|--|------|
| K1 | 1 | 146 0769 000 | 2 | KEY 6X6X40 UNI6604A | |
| | 2 | 9100000825 | 1 | LEVER EXT. FOR DECK LIFTING 2 PCS SET | |
| | 3 | 9100000826 | 1 | LEVER INT. FOR DECK LIFTING 2 PCS SET | |
| | 4 | 9100000743 | 1 | MOTOR DRIVE 200W 24V SIP | |
| | 5 | 9100000921 | 1 | MOTOR ELECTRIC 200W 24V | |
| | 6 | 9100000922 | 1 | CARBON BRUSHES KIT 2 PCS | |
| K1 | 7 | | 8 | SCREW M8X30 UNI5739 | |
| K1 | 8 | | 8 | SPACER 8.1X13X10.3 | |
| K1 | 9 | | 1 | TIE CABLE 4.8X430 WHITE | |
| K1 | 10 | | 16 | WASHER M8 UNI6592 | |
| K1 | 11 | | 2 | WASHER 8.5X32X2 SS | |
| K1 | 13 | | 8 | WASHER NORD LOCK M8 | |
| | 14 | 9100000830 | 2 | WHEEL D.200X50 GREY-BLACK 2 PCS SET | |
| K1 | 15 | | 4 | SCREW M10X25 BUTT HEX FLA 10.9 ISO7380-2 | |
| K1 | 16 | | 2 | SCREW M8X20 UNI5739 SS | |
| K1 | 17 | | 4 | WASHER NORD LOCK M10 | |
| | [K1]# | 9100000744 | 1 | HARDWARE DRIVE MOTOR KIT | |

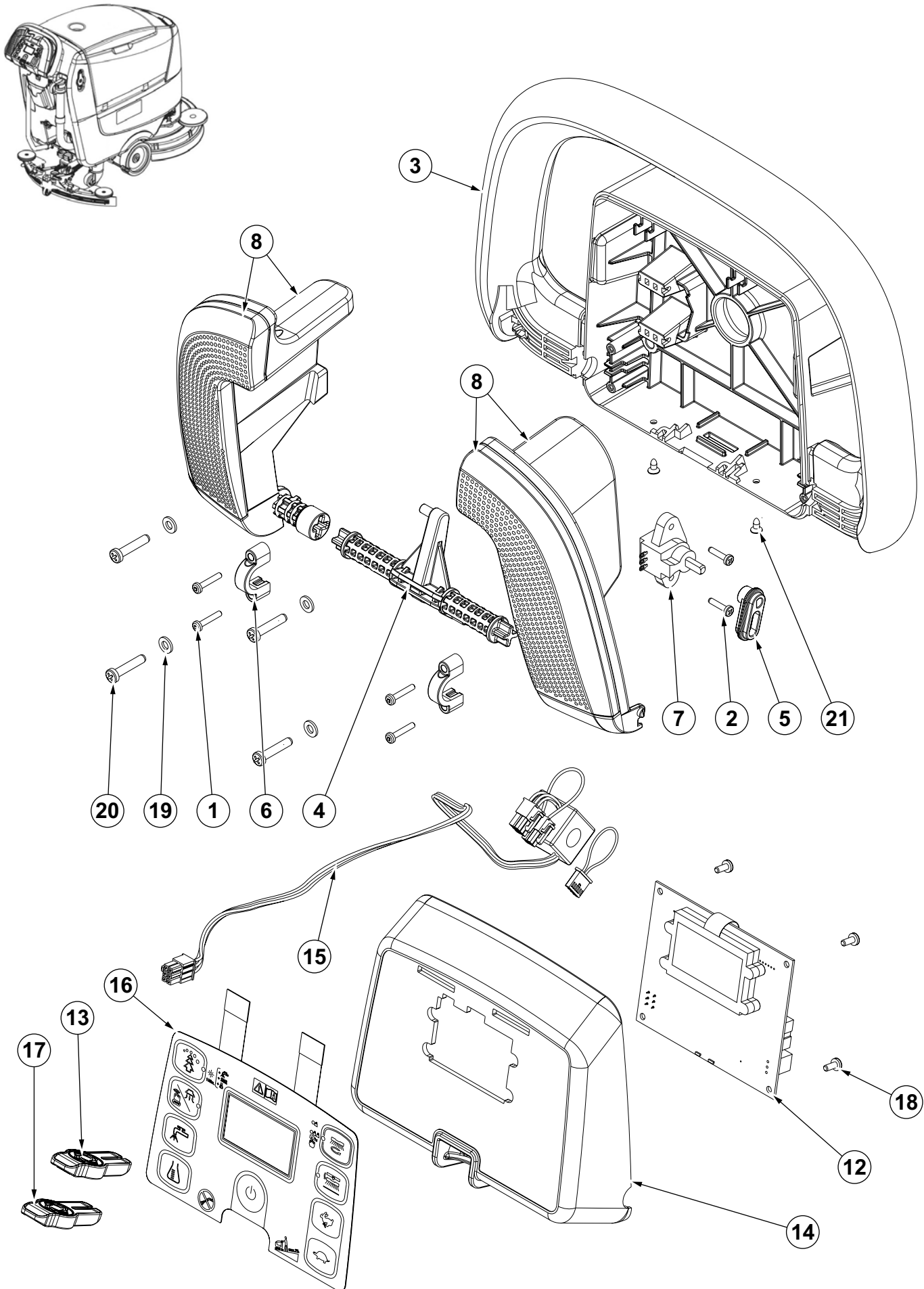
MOTOR DRIVE SYSTEM REV



MOTOR DRIVE SYSTEM REV

| KIT | ITEM | REF. NO. | QTY | DESCRIPTION | NOTE |
|------|------|--------------|-----|--|------|
| K1 | 1 | 146 0769 000 | 2 | KEY 6X6X40 UNI6604A | |
| | 2 | 9100000825 | 1 | LEVER EXT. FOR DECK LIFTING 2 PCS SET | |
| K1 | 3 | | 4 | WASHER NORD LOCK M10 | |
| | 4 | 9100000743 | 1 | MOTOR DRIVE 200W 24V SIP | |
| | 5 | 9100000921 | 1 | MOTOR ELECTRIC 200W 24V | |
| | 6 | 9100000922 | 1 | CARBON BRUSHES KIT 2 PCS | |
| K1 | 7 | | 4 | SCREW M8X30 UNI5739 | |
| K1 | 8 | | 4 | SPACER 8.1X12X11.3 | |
| K1 | 9 | | 1 | TIE CABLE 4.8X430 WHITE | |
| K1 | 10 | | 8 | WASHER M8 UNI6592 | |
| K1 | 11 | | 2 | WASHER 8.5X32X2 SS | |
| K1 | 12 | | 8 | BEARING FLANGE IGLIDUR GFM-1213-03 | |
| K1 | 13 | | 4 | WASHER NORD LOCK M8 | |
| | 14 | 9100000830 | 2 | WHEEL D.200X50 GREY-BLACK 2 PCS SET | |
| K1 | 15 | | 4 | SCREW M10X25 BUTT HEX FLA 10.9 ISO7380-2 | |
| K1 | 16 | | 2 | SCREW M8X20 UNI5739 SS | |
| [K1] | | 9100002079 | 1 | HARDWARE REV US DRIVE MOTOR KIT | |

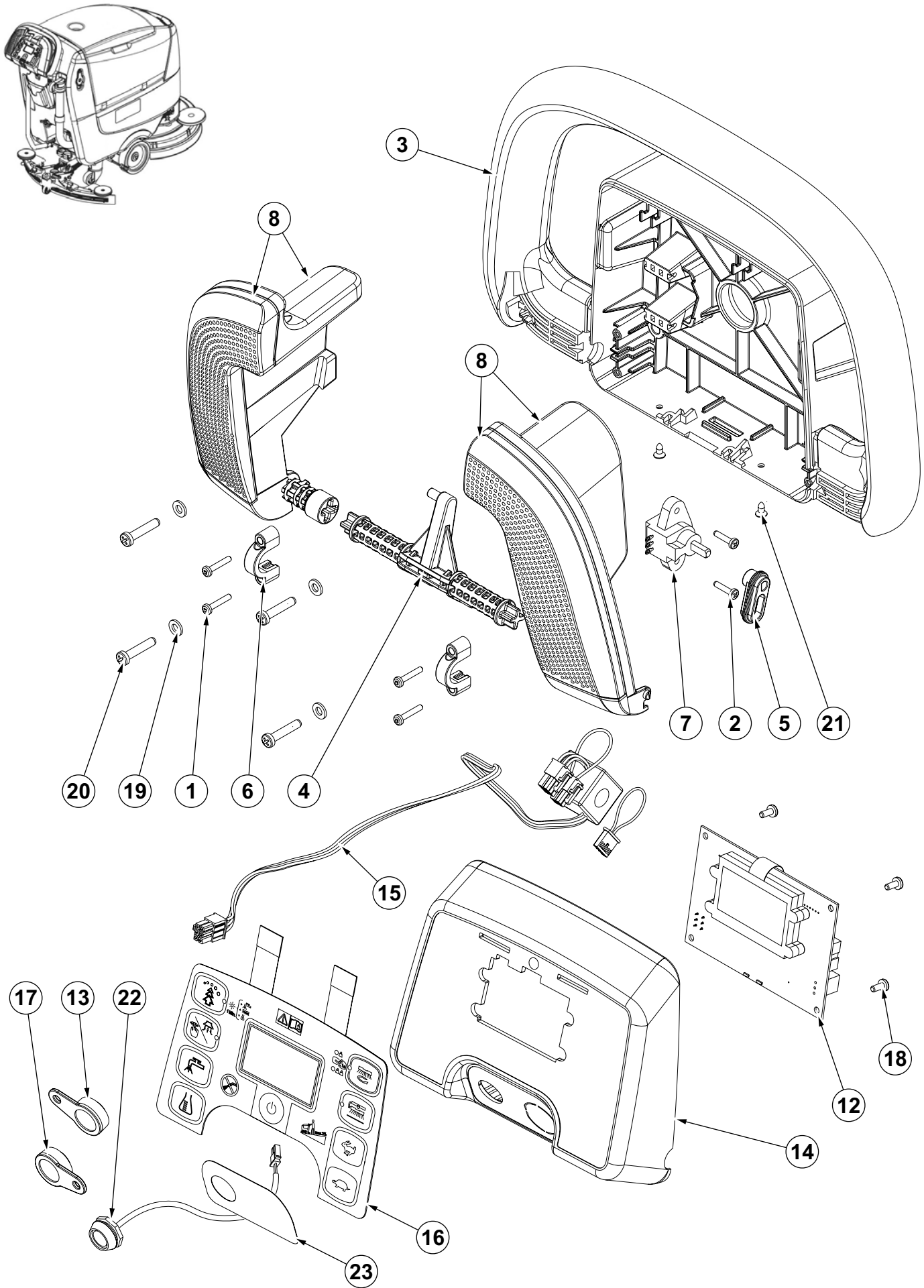
PADDLE AND DASHBOARD SYSTEM (Models No.: 9087352020, 9087353020, 9087354020)



PADDLE AND DASHBOARD SYSTEM (Models No.: 9087352020, 9087353020, 9087354020)

| KIT | ITEM | REF. NO. | QTY | DESCRIPTION | NOTE |
|-----|------------|-------------------|----------|--|------------------|
| K1 | 1 | | 4 | SCREW TORX T20 | |
| K1 | 2 | | 2 | SCREW 4.2X19 SELF THD HEX HD ISO10510 | |
| | 3 | 9100000835 | 1 | HANDLE BAR SIP | |
| | 4 | 9100000836 | 1 | SHAFT LEVERS CONNECTION SIP | |
| K1 | 5 | | 1 | ROD POTENTIOMETER | |
| K1 | 6 | | 2 | SUPPORT F LEVER CONNECTION SHAFT | |
| | 7 | 9100000837 | 1 | POTENTIOMETER 5K SIP | |
| | 8 | 9100002167 | 1 | LEVERS RT-LT DRIVING PRE-ASSEMBLED SIP | |
| | 12 | 9100000842 | 1 | CARD DISPLAY SIP | |
| | 13* | 9100000843 | 1 | KEY OPERATOR COMPLETE SIP | |
| | 14 | 9100000844 | 1 | COVER HANDLE BAR SIP | |
| | 15 | 9100000845 | 1 | HARNESS CONTROL PANEL SIP | |
| | 16 | 9100000846 | 1 | DASHBOARD CONTROL PANEL SIP | FOR DISC VERSION |
| | 16 | 9100000847 | 1 | DASHBOARD CONTROL PANEL SIP | FOR REV VERSION |
| | 17* | 9100000848 | 1 | KEY SERVICE COMPLETE SIP | |
| K1 | 18 | | 4 | SCREW 3.9X9.5 THD FORM | |
| K1 | 19 | | 4 | WASHER M6 UNI6592 | |
| K1 | 20 | | 4 | SCREW CYL HD 6X30 SELF L.PLAST | |
| K1 | 21 | | 2 | SCREW 3.9X9.5 UNI6955 | |
| | [K1] | 9100000745 | 1 | PADDLE AND DASHBOARD FIXING KIT | |

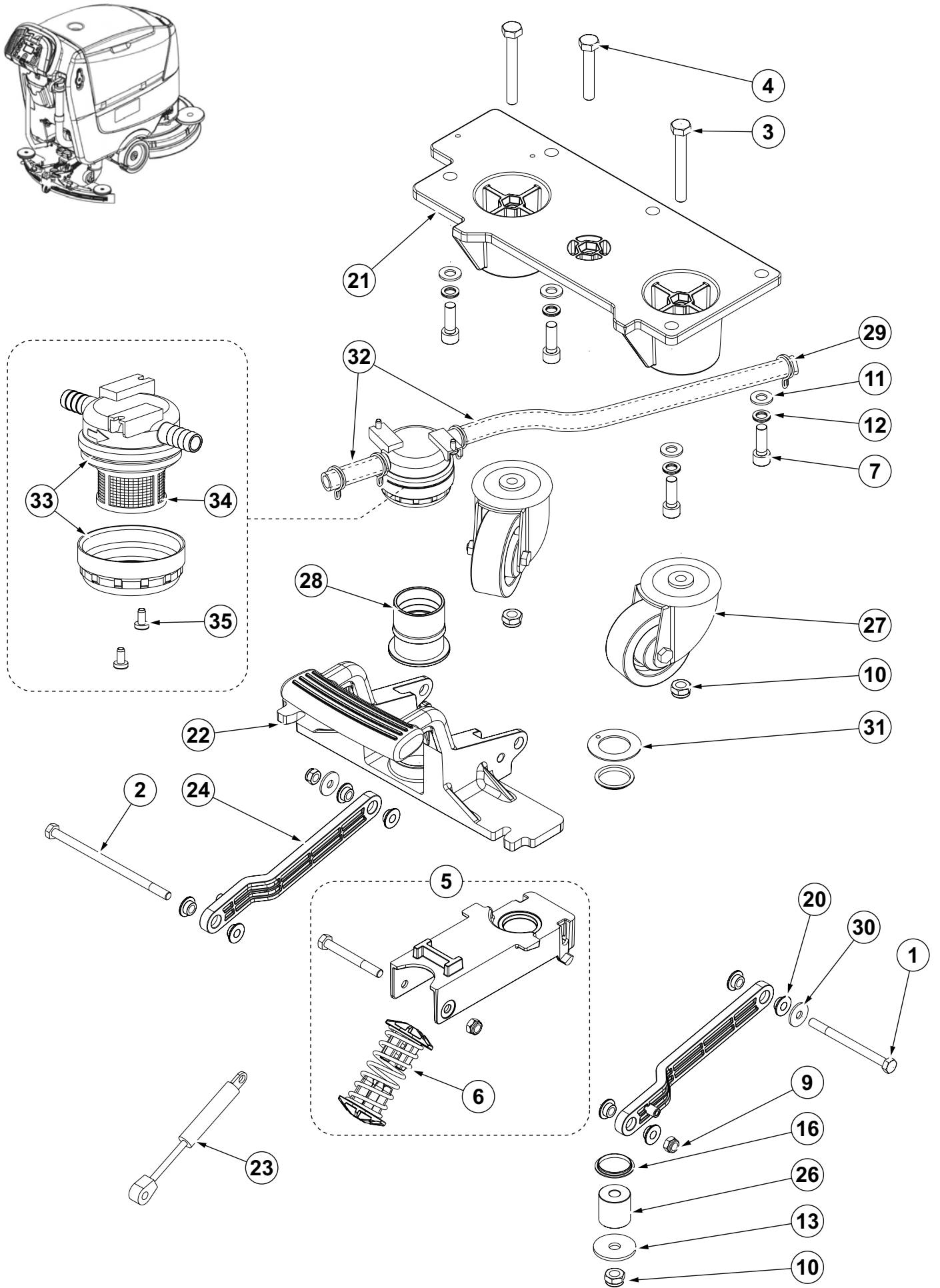
PADDLE AND DASHBOARD SYSTEM (Models No.: 9087403020, 9087405020, 9087404020)



PADDLE AND DASHBOARD SYSTEM (Models No.: 9087403020, 9087405020, 9087404020)

| KIT | ITEM | REF. NO. | QTY | DESCRIPTION | NOTE |
|------|------------|-----------------|----------|--|------------------|
| K1 | 1 | | 4 | SCREW TORX T20 | |
| K1 | 2 | | 2 | SCREW 4.2X19 SELF THD HEX HD ISO10510 | |
| | 3 | 9100000835 | 1 | HANDLE BAR SIP | |
| | 4 | 9100000836 | 1 | SHAFT LEVERS CONNECTION SIP | |
| K1 | 5 | | 1 | ROD POTENTIOMETER | |
| K1 | 6 | | 2 | SUPPORT F LEVER CONNECTION SHAFT | |
| | 7 | 9100000837 | 1 | POTENTIOMETER 5K SIP | |
| | 8 | 9100002167 | 1 | LEVERS RT-LT DRIVING PRE-ASSEMBLED SIP | |
| | 12 | 9100002391 | 1 | CONTROLLER DISPLAY SIP | |
| | 13* | 56116518 | 1 | SMART KEY - USER | |
| | 14 | 9100002390 | 1 | COVER PLAST. F HANDLE BAR SIP | |
| | 15 | 9100000845 | 1 | HARNESS CONTROL PANEL SIP | |
| | 16 | 9100002392 | 1 | CONTROLLER USER INTERFACE SIP | FOR DISC VERSION |
| | 16 | 9100002393 | 1 | CONTROLLER USER INTERFACE REV SIP | FOR REV VERSION |
| | 17* | 56116519 | 1 | SMART KEY - SUPERVISOR | |
| K1 | 18 | | 4 | SCREW 3.9X9.5 THD FORM | |
| K1 | 19 | | 4 | WASHER M6 UNI6592 | |
| K1 | 20 | | 4 | SCREW CYL HD 6X30 SELF L.PLAST | |
| K1 | 21 | | 2 | SCREW 3.9X9.5 UNI6955 | |
| | 22 | 56116477 | 1 | SMART KEY - PROBE | |
| | 23 | 9100002399 | 1 | DECAL SMARTKEY AND USB SIP | |
| [K1] | 9100000745 | | 1 | PADDLE AND DASHBOARD FIXING KIT | |

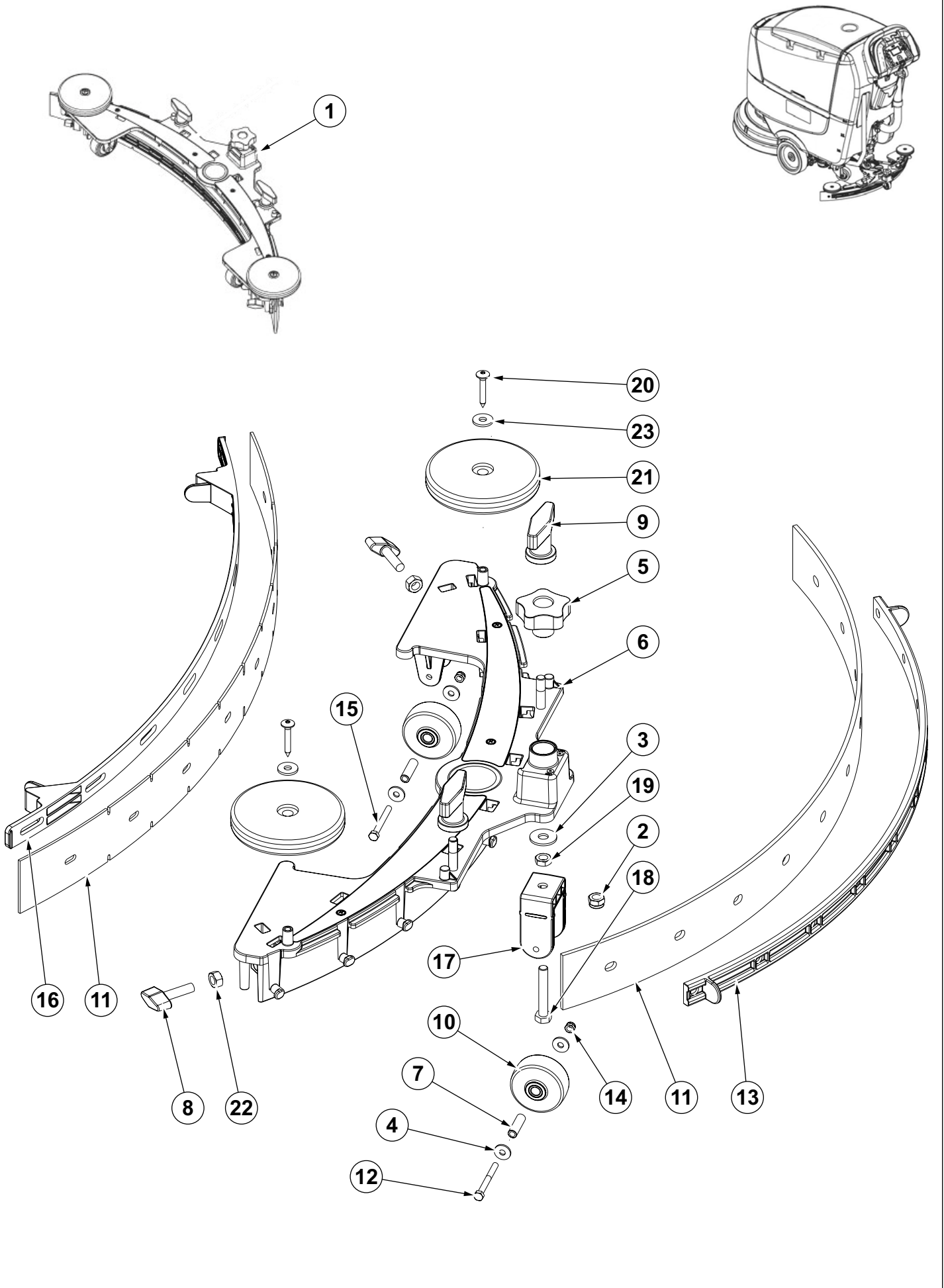
REAR WHEELS SYSTEM



REAR WHEELS SYSTEM

| KIT | ITEM | REF. NO. | QTY | DESCRIPTION | NOTE |
|------|------------|-------------------|----------|--|---|
| K1 | 1 | | 1 | SCREW M8X100 UNI5737 | |
| K1 | 2 | | 1 | SCREW M8X140 HEX HD ISO4014 | |
| K1 | 3 | | 2 | SCREW M10X80 UNI5739 | |
| K1 | 4 | | 1 | SCREW M10X60 UNI5739 | |
| | 5 | 9100002400 | 1 | SUPPORT UPPER F SQUEEGEE KIT | (9100002404) INSTALLATION INSTRUCTIONS |
| | 6 | 9100002401 | 1 | SPRING WITH TERMINALS KIT | |
| K1 | 7 | | 4 | SCREW M10X30 UNI5931 | |
| K1 | 9 | | 2 | NUT SELF L. M8 UNI7474 | |
| K1 | 10 | | 3 | NUT SELF L. M10 UNI7474 | |
| K1 | 11 | | 4 | WASHER M10 UNI6592 | |
| K1 | 12 | | 4 | WASHER NORD LOCK M10 | |
| K1 | 13 | | 1 | WASHER 10X40X2.5 UNI6593 | |
| K1 | 16 | 9100000902 | 2 | BEARING FLANGE IGLIDUR 2 PCS SET | |
| K1 | 20 | | 8 | BUSHING FLANGED | |
| | 21 | 9100000851 | 1 | SUPPORT REAR WHEELS-SQUEEGEE SIP | |
| | 22 | 9100000853 | 1 | SUPPORT LOWER F SQUEEGEE SIP | |
| | 23 | 9100000855 | 1 | SPRING GAS 30 KG SIP | SEE TSB-FC-2016-259 - FOR MODELS NO.: 9087352020, 9087353020, 9087354020 |
| | 24 | 9100000854 | 1 | LEVER SQUEEGEE LIFT 2 PCS SET | |
| K1 | 26 | | 1 | SPACER 10.5X30X30.3 | |
| | 27 | 9100000856 | 1 | WHEEL PIVOTING 2 PCS SET | |
| | 27* | 9100001581 | 1 | WHEEL CASTOR D.80 SS 2PCS SET | |
| | 28 | 9100002396 | 1 | SLEEVE RUBBER BLACK F SUCTION HOSE SIP | |
| K1 | 29 | | 4 | CLAMP DOUBLE WIRE SPRING D.18 | |
| K1 | 30 | | 2 | WASHER 8X24X2 FLAT ISO7093 | |
| K1 | 31 | 9100000903 | 1 | WASHER THRUST GTM 3254-015 SIP | |
| | 32 | 9100000796 | 1 | HOSES SOLUTION SYSTEM KIT | |
| | 33 | 9100000860 | 1 | FILTER WATER SIP | |
| | 34 | 9100000861 | 1 | NET WATER FILTER REINFORCED SIP | |
| K1 | 35 | | 2 | SCREW M5X10 DIN7500 | |
| [K1] | 9100000746 | | 1 | SUPPORT SQUEEGEE FIXING KIT | |

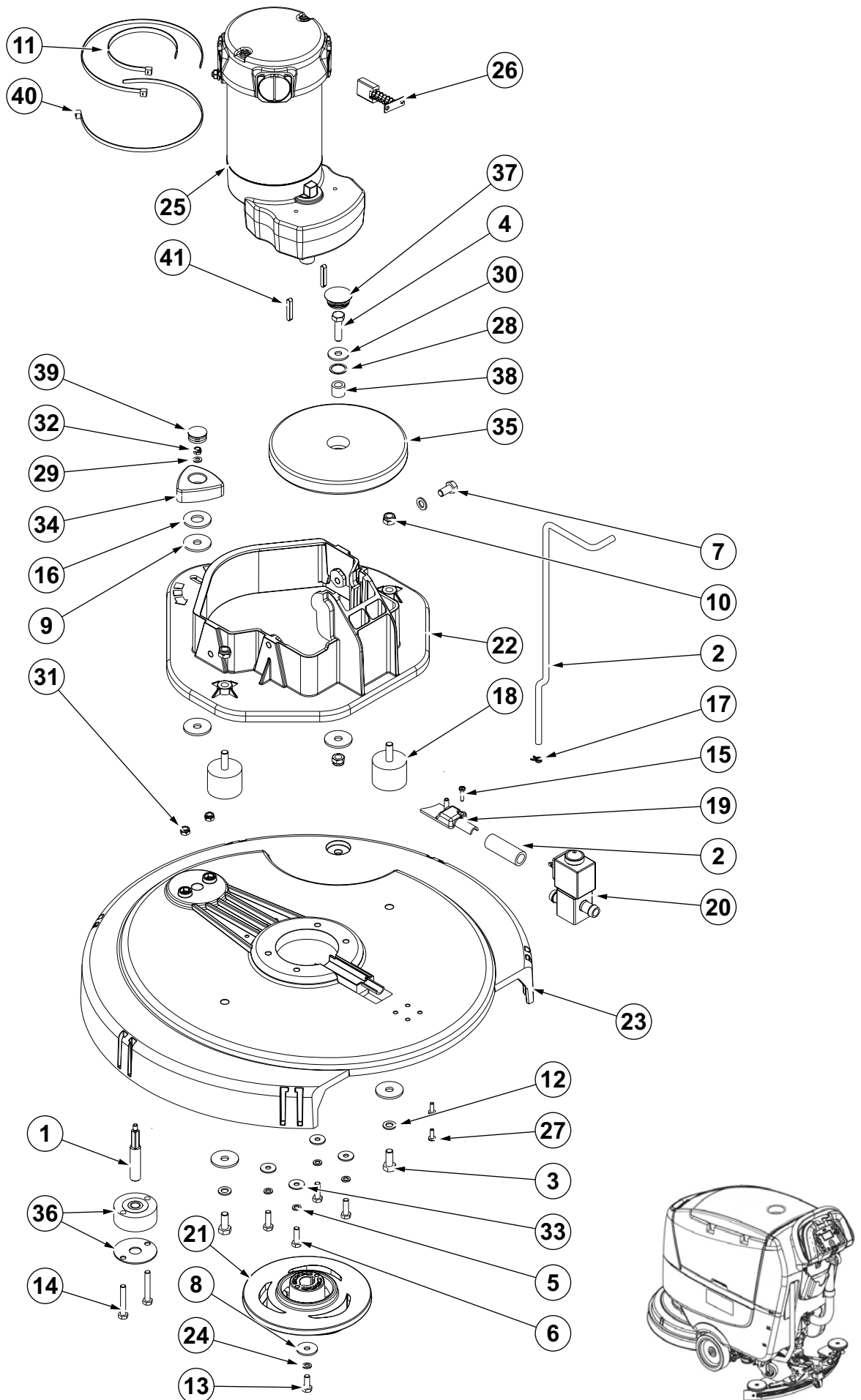
SQUEEGEE SYSTEM



SQUEEGEE SYSTEM

| KIT | ITEM | REF. NO. | QTY | DESCRIPTION | NOTE |
|-----|------------|-------------------|----------|--|------|
| | 1* | 9100001366 | 1 | SQUEEGEE NON MARKING 730MM/29 KIT | |
| K1 | 2 | | 1 | NUT SELFLOCKING LOW M8 UNI7474 SS | |
| K1 | 3 | | 1 | WASHER 8X24 UNI6592 SS | |
| K1 | 4 | | 6 | WASHER 5X15X1.2 UNI6593 SS | |
| | 5 | 9100000862 | 1 | KNOB LOBES M8 FEMALE SIP | |
| | 6 | 9100000747 | 1 | SQUEEGEE 730MM/29 PRE-ASSEMBLED SIP | |
| K1 | 7 | 9100002408 | 1 | SPACER 5.1X8X28.5 PLASTIC 3 PCS SET | |
| | 8 | 9100000791 | 2 | KNOB M8X30 THD STUD SS SIP | |
| | 9 | 9097637000 | 1 | SQUEEGEE FIXING KIT | |
| | 10 | 9100000559 | 3 | WHEEL D.51 GREY SIP | |
| | 11* | 9100000810 | 1 | BLADE SQUEEGEE 740MM 29 GUM KIT | |
| | 11* | 9100000490 | 1 | BLADE SQUEEGEE 730MM 29 PU KIT | |
| | 11* | 9100000060 | 1 | BLADE SQUEEGEE 730MM 29 RED GUM KIT | |
| K1 | 12 | | 1 | SCREW M5X50 UNI5737 SS | |
| | 13 | 9100000864 | 1 | STRAP ELASTIC F REAR SQUEEGEE BL. SIP | |
| K1 | 14 | | 3 | NUT SELFLOCKING LOW M5 UNI7474 SS | |
| K1 | 15 | | 2 | SCREW M5X45 UNI5737 SS | |
| | 16 | 9100000865 | 1 | STRAP FRONT SQUEEGEE BLADE SIP | |
| | 17 | 9100000866 | 1 | SUPPORT SQUEEGEE WHEEL SIP | |
| K1 | 18 | | 1 | SCREW M8X50 HEX HD F/THD SS ISO4017 | |
| K1 | 19 | | 1 | NUT HEX M8 ISO4035 SS | |
| K1 | 20 | | 2 | SCREW 5X35 SELF THD TAPPING AW20 BLACK | |
| | 21 | 9100001816 | 1 | WHEEL BUMPER D.100 PLASTIC 2 PCS SET | |
| K1 | 22 | | 2 | NUT HEX M8 UNI5588 SS | |
| K1 | 23 | | 2 | WASHER 6X18X1.5 UNI6593 SS | |
| | [K1] | 9100000748 | 1 | HARDWARE SQUEEGEE KIT | |

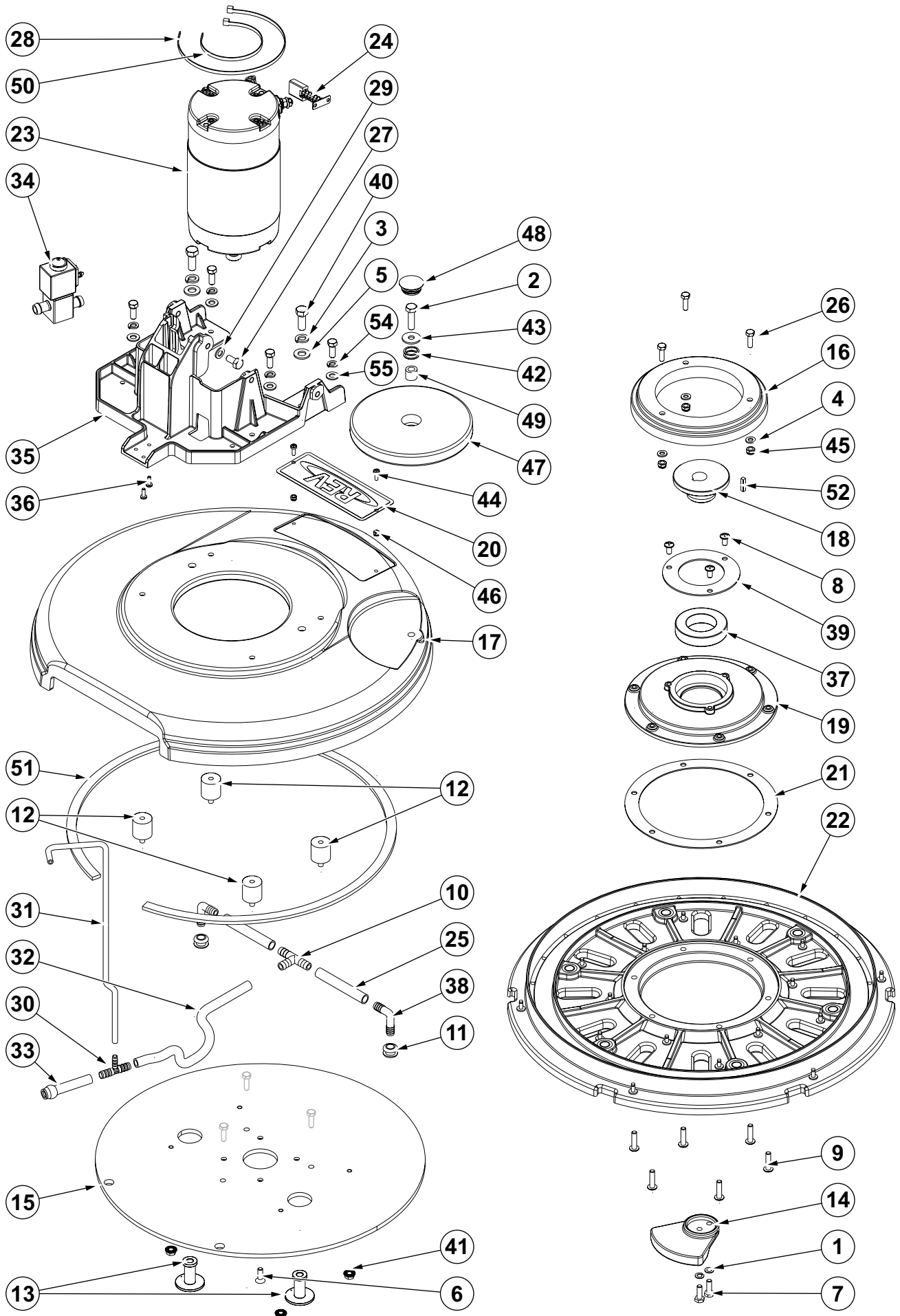
DISC DECK SYSTEM



DISC DECK SYSTEM

| KIT | ITEM | REF. NO. | QTY | DESCRIPTION | NOTE |
|------|--------------|------------|-----|--|------|
| K2 | 1 | | 1 | PIN PLATE FIXING | |
| | 2 | 9100000797 | 1 | HOSES BRUSH DECK KIT | |
| K3 | 3 | | 2 | SCREW M8X20 UNI5739 SS | |
| K1 | 4 | | 1 | SCREW M8X30 UNI5739 | |
| K3 | 5 | | 5 | WASHER M6 UNI8842A SS | |
| K3 | 6 | | 4 | SCREW M6X25 UNI5739 SS | |
| K3 | 7 | | 3 | NUT SELFLOCKING LOW M8 UNI7474 SS | |
| K3 | 8 | | 1 | WASHER 6.6X24X2 UNI6593 SS | |
| K2 | 9 | | 5 | WASHER 8.5X32X2 SS | |
| K3 | 10 | | 1 | SCREW M8X16 UNI5739 SS | |
| K3 | 11 | | 1 | TIE CABLE 4.8x200 BLACK | |
| K3 | 12 | | 3 | WASHER M8 UNI8842A SS | |
| K3 | 13 | | 1 | SCREW M6X16 UNI5739 SS | |
| K2 | 14 | | 2 | SCREW M6X40 UNI5739 SS | |
| K3 | 15 | | 2 | SCREW 3.5X16 SELF THD PAN PHIL F PLASTIC | |
| K2 | 16 | | 1 | WASHER 10X30X2 | |
| K3 | 17 | | 1 | CLAMP 6.6X 7 | |
| | 18 | 9100000868 | 1 | VIBRATION DAMPING M8 60SH 2 PCS SET | |
| | 19 | 9100000869 | 1 | COVER SOLUTION HOSE SUPPORT SIP | |
| | 20 | 9100000870 | 1 | SOLENOID VALVE 24V SIP | |
| | 21 | 9100000871 | 1 | HUB BRUSH SIP | |
| | 22 | 9100000872 | 1 | PLATE BRUSH DECK HOLDER SIP | |
| | 23 | 9100000873 | 1 | DECK BRUSH SIP | |
| K3 | 24 | | 1 | WASHER NORD LOCK M6 DIN25201 | |
| | 25 | 9100000874 | 1 | REDUCTION GEARMOTOR 450W 24V SIP | |
| | 26 | 9098376000 | 1 | CARBON BRUSHES KIT 4 PCS | |
| K3 | 27 | | 2 | SCREW PAN HD SELF 4x12 SS | |
| K1 | 28 | | 1 | WASHER 15 | |
| K2 | 29 | | 1 | WASHER M5 UNI6592 SS | |
| K1 | 30 | | 1 | WASHER 8X24X2 FLAT ISO7093 | |
| K2 | 31 | | 2 | NUT SELF L. M6 UNI7474 SS | |
| K2 | 32 | | 1 | NUT SELFLOCKING LOW M5 UNI7474 SS | |
| K3 | 33 | | 4 | WASHER 6X18X1.5 UNI6593 SS | |
| K2 | 34 | | 1 | KNOB | |
| K1 | 35 | | 1 | ROLLER BUMPER D.160 BLACK | |
| | 36 | L08812780 | 1 | PLATE FIXING BRUSH KIT | |
| K1 | 37 | | 1 | CAP. BLACK | |
| K1 | 38 | | 1 | SPACER 9X15X13 | |
| K2 | 39 | | 1 | CAP FOR KNOB | |
| K3 | 40 | | 2 | TIE CABLE 4.8X430 WHITE | |
| | 41 | 9100000875 | 1 | KEY 5X5X30 DIN6885 2 PCS SET | |
| [K1] | 909 6887 000 | | 1 | ROLLER BUMPER KIT | |
| [K2] | 9100002483 | | 1 | KNOB BRUSH SPEED ADJUSTM. KIT | |
| [K3] | 9100000751 | | 1 | HARDWARE BRUSH DECK KIT | |

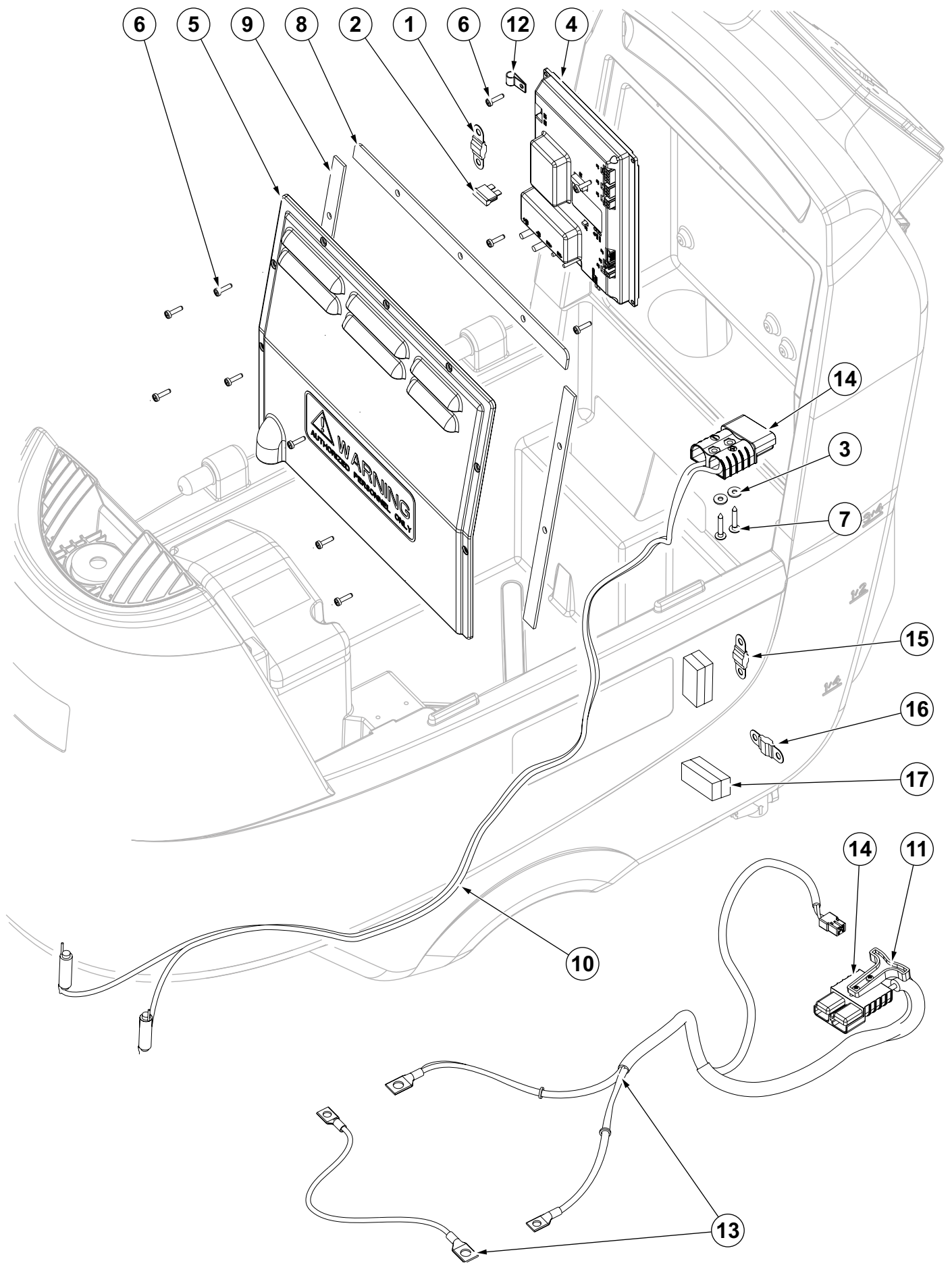
REV DECK SYSTEM



REV DECK SYSTEM

| KIT | ITEM | REF. NO. | QTY | DESCRIPTION | NOTE |
|-----|------|------------|-----|-------------------------------------|-----------------------------------|
| K2 | 1 | | 2 | WASHER LK 1/4 REGSS | |
| K1 | 2 | | 1 | SCREW M8X40 UNI5739 | |
| K2 | 3 | | 2 | WASHER M10 UNI1751B | |
| K3 | 4 | | 3 | WASHER M6 UNI6592 SS | |
| K2 | 5 | | 2 | WASHER M10 UNI6592 | |
| K2 | 6 | | 4 | SCREW FLT PHIL LOC 1/4-20 X 0.75 | |
| K2 | 7 | | 6 | SCREW HEX LOC 1/4 20 X 0.75 | |
| K5 | 8 | | 3 | SCREW PAN PHIL LOC SS 1/4 20X.50 | |
| K2 | 9 | | 6 | SCREW PAN PHIL LOC SS 1/4-20 X 1.00 | |
| K6 | 10 | | 1 | TEE HOSE 3/8X3/8X3/8 PLSTC | |
| K6 | 11 | | 2 | GROMMET .500 E00059 | |
| | 12 | 56382991 | 1 | KIT-ISOLATOR BOOST HD | |
| | 13 | 9098979000 | 1 | STUD STABILIZER KIT | |
| | 14 | 56390002 | 1 | WEIGHT COUNTER | |
| | 15 | 9100000900 | 1 | PLATE F DECK MOTOR SIP | |
| K3 | 16 | | 1 | SHIELD SPLASH | |
| | 17 | 56390012 | 1 | HOUSING BRUSH | |
| K4 | 18 | | 1 | ECCENTRIC | |
| K5 | 19 | | 1 | DRIVER MOTOR | |
| | 20 | 56390037 | 1 | DECAL-REV EMBOSSED | |
| K5 | 21 | | 1 | GASKET DRIVER | |
| | 22 | 9100002161 | 1 | PAD DRIVER CLP SIP | |
| | 23 | 9100001793 | 1 | MOTOR ELECTRIC 350W 24V KIT | UNTIL S/N 3510163605523 |
| | 23 | 9100001860 | 1 | MOTOR ELECTRIC 350W 24V SIP | STARTING FROM S/N 3510163605524 |
| | 24 | 9100001283 | 1 | CARBON BRUSHES W/HOLDER SIP | |
| | 24 | L08603949 | 1 | CARBON BRUSHES SET 4 PCS | |
| | 24 | 56412287 | 1 | MOTOR BRUSH/SPRING KIT | SCOTT MOTORS CO. BLACK (56390072) |
| K6 | 25 | | 2 | HOSE CLEAR | |
| K3 | 26 | | 3 | SCREW M6X20 UNI5739 SS | |
| K2 | 27 | | 1 | SCREW M8X16 UNI5739 SS | |
| K2 | 28 | | 1 | TIE CABLE 4.8x200 BLACK | |
| K2 | 29 | | 1 | WASHER M8 UNI8842A SS | |
| K6 | 30 | | 1 | HOLDER RUBBER T | |
| K6 | 31 | | 1 | HOSE SILICONE D.4X7 | |
| K6 | 32 | | 1 | HOSE SILICONE RUBBER | |
| K6 | 33 | | 1 | HOSE SILICONE RUBBER | |
| | 34 | 9100000870 | 1 | SOLENOID VALVE 24V SIP | |
| | 35 | 9100000876 | 1 | PLATE BRUSH DECK HOLDER SIP | |
| K2 | 36 | | 2 | SCREW PAN HD SELF 4x12 SS | |
| K5 | 37 | | 1 | BEARINGBALL OBS-18 6008 | |
| K6 | 38 | | 2 | HOSEBARB 3/8 X 90 DEG | |
| K5 | 39 | | 1 | RETAINER BEARING | |
| K2 | 40 | | 2 | SCREW 3/8-24 X 1 HEX HEAD | |
| K2 | 41 | | 4 | NUT HEX SERRATED FLANGE1/4-20 | |
| K1 | 42 | | 2 | WASHER 15 | |
| K1 | 43 | | 1 | WASHER 8X24X2 FLAT ISO7093 | |
| K2 | 44 | | 2 | SCREW M4X12 UNI7687 | |
| K3 | 45 | | 3 | NUT SELF L. M6 UNI7474 SS | |
| K2 | 46 | | 2 | NUT SELF L. M4 UNI7474 SS | |
| K1 | 47 | | 1 | ROLLER BUMPER D.160 BLACK | |
| K1 | 48 | | 1 | CAP. BLACK | |
| K1 | 49 | | 1 | SPACER 9X15X13 | |
| K2 | 50 | | 1 | TIE CABLE 4.8X430 WHITE | |
| | 51 | 9100000901 | 1 | GASKET ADHESIVE 12X5 L.1090MM SIP | |
| K4 | 52 | | 1 | KEY 3/16 X 3/16 X 3/4 LG | |
| | [K1] | 9100000749 | 1 | ROLLER BUMPER D.160 BLACK KIT | |
| | [K2] | 9100000756 | 1 | HARDWARE BRUSH DECK KIT | |
| | [K3] | 9098982000 | 1 | SPLASH GUARD KIT | |
| | [K4] | 9098984000 | 1 | KIT-ECCENTRIC | |
| | [K5] | 9098983000 | 1 | DRIVER KIT | |
| | [K6] | 9100000757 | 1 | HOSES BRUSH DECK KIT | |

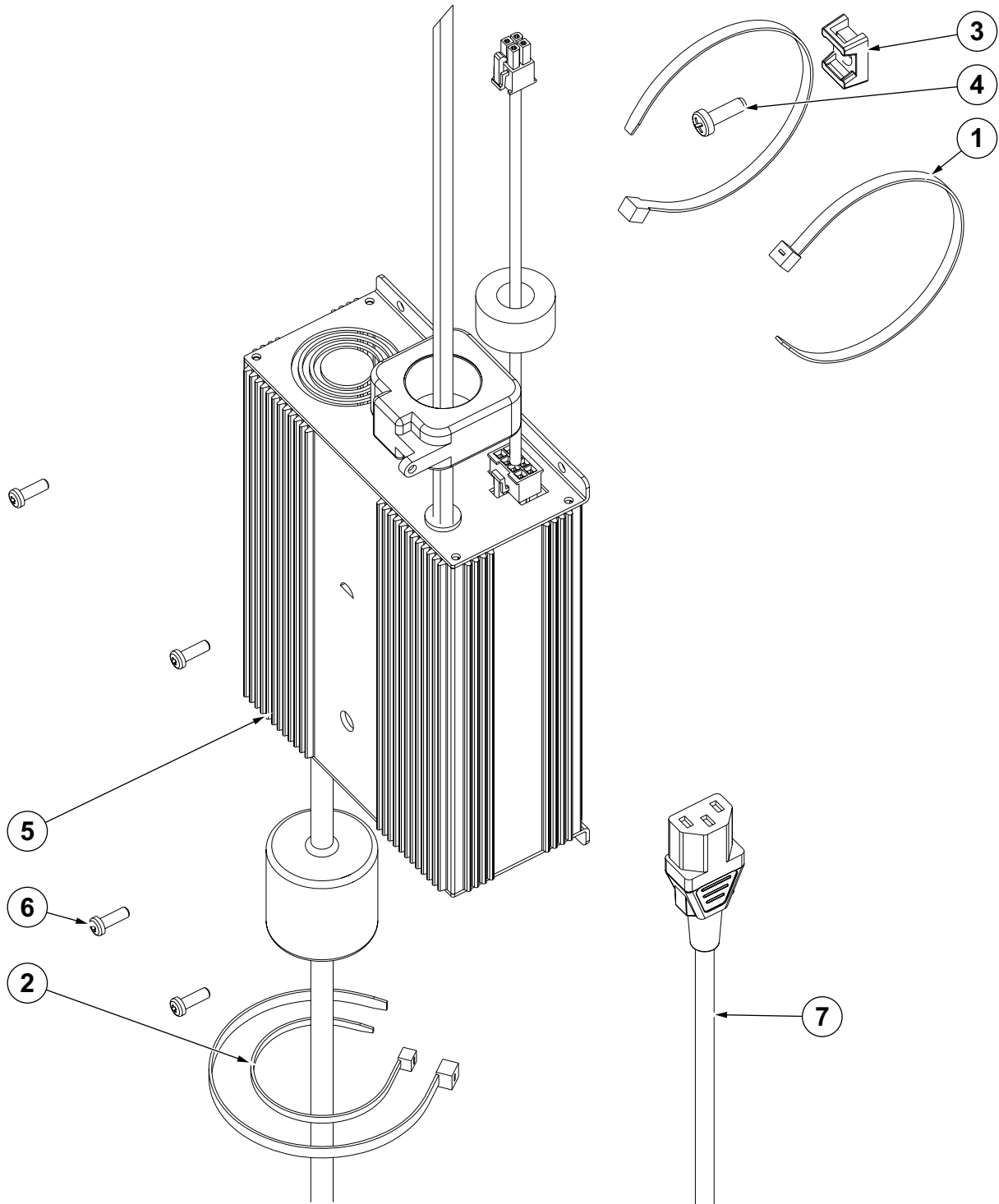
ELECTRICAL COMPONENTS SYSTEM



ELECTRICAL COMPONENTS SYSTEM

| KIT | ITEM | REF. NO. | QTY | DESCRIPTION | NOTE |
|------|------------|------------|-----|--|--|
| | 1 | 9100000877 | 1 | FUSE MIDIFUSE 100A SIP | |
| | 2 | 9100000878 | 1 | FUSE BLADE 3A SIP | |
| K2 | 3 | | 4 | WASHER 5X15X1.5 UNI6593 | |
| | 4 | 9100000879 | 1 | CONTROLLER MAIN MACHINE SIP | FOR MODELS NO.: 9087352020, 9087353020, 9087354020 |
| | 4 | 9100002397 | 1 | CONTROLLER MAIN MACHINE SIP | FOR MODELS NO.: 9087403020, 9087405020, 9087404020 |
| | 5 | 9100000880 | 1 | COVER BOX ELECTRIC COMP. SIP | |
| K2 | 6 | | 11 | SCREW CYL HD 4X16 SELF L. PLAS | |
| K2 | 7 | | 3 | SCREW 5X35 SELF THD TAPPING AW20 BLACK | |
| K1 | 8 | | 1 | GASKET UPPER ELECTRONIC COVER | |
| K1 | 9 | | 2 | GASKET SIDE ELECTRONIC COVER | |
| | 10 | 9100002232 | 1 | HARNESS MACHINE SC500 53B/20B SIP | FOR ALL VERSIONS NOTE ONLY FOR REV VERSION - STARTING FROM S/N 3510163605524 |
| | 10 | 9100001863 | 1 | HARNESS MACHINE SC500 20R SIP | ONLY FOR REV VERSION - UNTIL S/N 3510163605523 - SEE TSB-FC-2016-009 |
| | 11 | 9100000885 | 1 | HANDLE FOR BATTERY CONNECTOR SIP | |
| K2 | 12 | | 1 | CLAMP CABLE BLACK | |
| | 13 | 9100000887 | 1 | HARNESS BATTERY US SIP | |
| | 14 | 9100002117 | 1 | CONNECTOR RED 120A 2 PCS SET | |
| | 15 | 9100002233 | 1 | FUSE BOLT DOWN 30A SIP | |
| | 16 | 9100002234 | 1 | FUSE BOLT DOWN 50A SIP | |
| | 17 | 9100002235 | 2 | HOLDER FUSE SIP | |
| [K1] | 9100000798 | | 1 | GASKETS COVER KIT | |
| [K2] | 9100000799 | | 1 | HARDWARE ELECT. COMPONENTS KIT | |

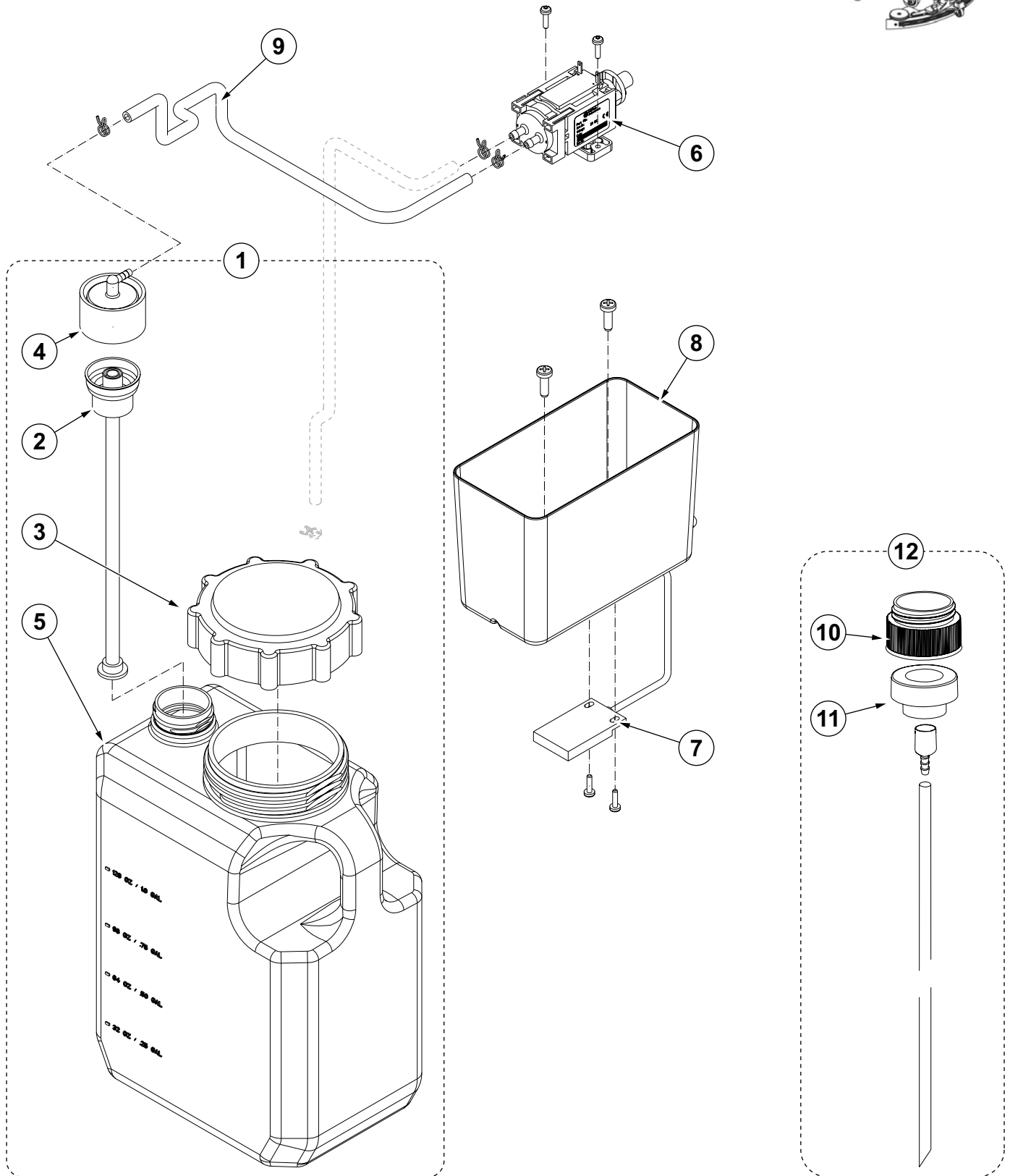
BATTERY CHARGER SYSTEM



BATTERY CHARGER SYSTEM

| KIT | ITEM | REF. NO. | QTY | DESCRIPTION | NOTE |
|-----|------|------------|-----|--|---------------------|
| | 1 | | 3 | TIE CABLE 4.8x200 BLACK | |
| | 2 | | 1 | TIE CABLE 2.9x130 BLACK | |
| | 3 | | 1 | HOLDER.FLAT TIE | |
| | 4 | | 1 | SCREW CYL HD 5X16 SELF L. PLASTOFAST | |
| | 5 | 9100000888 | 1 | CHARGER BATT. O/B 24V 13A 100-230V SIP | SEE TSB-FC-2016-010 |
| | 6 | | 4 | SCREW 3.5X12 | |
| | 7 | 9100000890 | 1 | CABLE EXTENSION US PLUG L.2000MM SIP | |

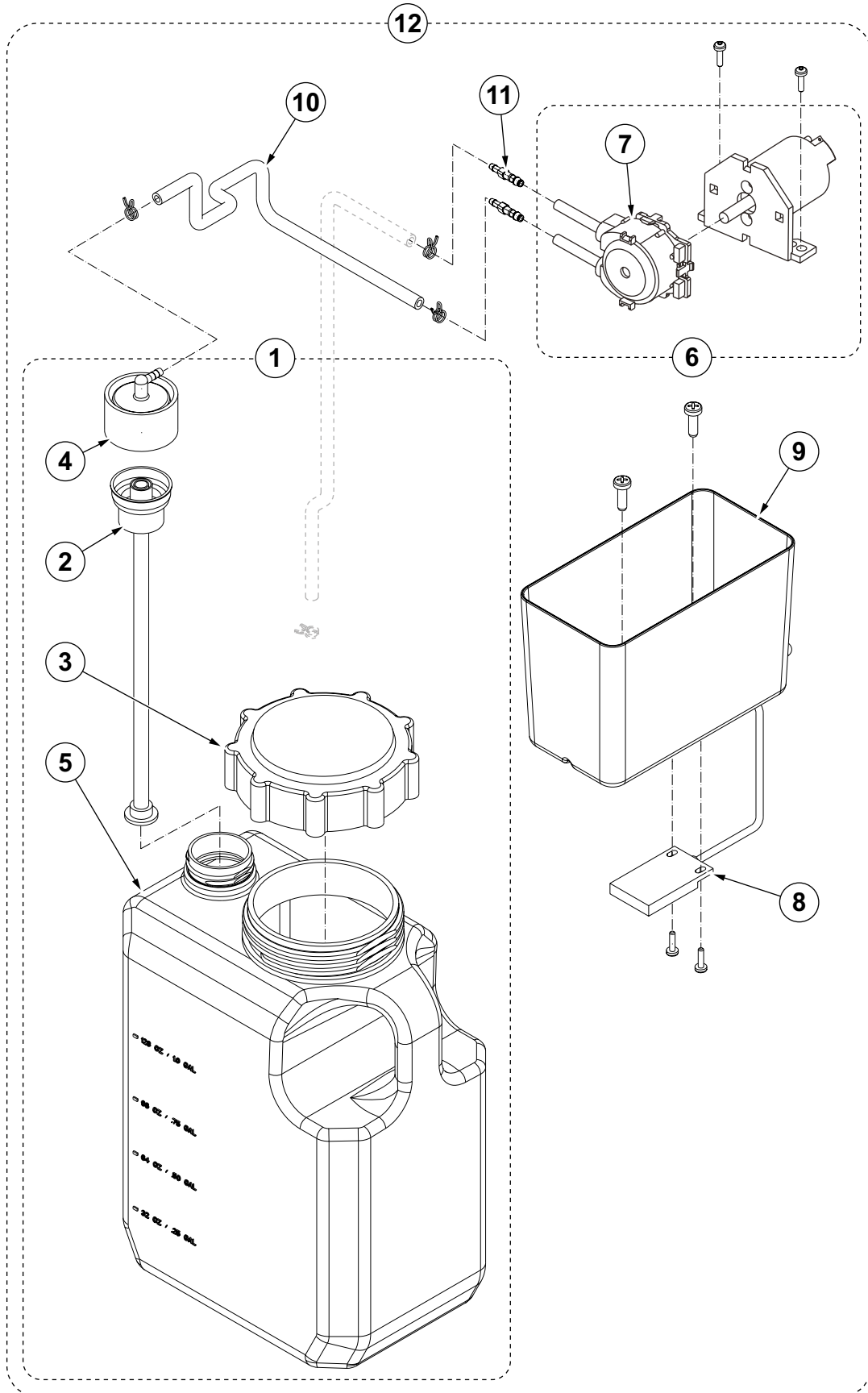
ECOFLEX SYSTEM (Models No.: 9087352020, 9087353020, 9087354020)



ECOFLEX SYSTEM (Models No.: 9087352020, 9087353020, 9087354020)

| KIT | ITEM | REF. NO. | QTY | DESCRIPTION | NOTE |
|-----|------------|-------------------|----------|---------------------------------|------|
| | 1 | 56104190 | 1 | DETERGENT TANK | |
| | 2 | 56104189 | 1 | INSERT-DRY BRAKE | |
| | 3 | 9100001817 | 1 | CAP PLASTIC F CHEMICAL TANK SIP | |
| | 4 | 56315523 | 1 | CAP DRY BREAK 1/8 BARB | |
| | 5 | 9100001081 | 1 | DETERGENT TANK SIP | |
| | 6 | 9100001819 | 1 | PUMP DETERGENT MIX KIT | |
| | 7 | 9100000893 | 1 | SENSOR WATER LEVEL SIP | |
| | 8 | | 1 | SUPPORT WATER LEVEL SENSOR | |
| | 9 | 9100000891 | 1 | HOSE SILICONE D.4X7 L.300MM SIP | |
| | 10 | 9097023000 | 1 | ADAPTER DETERGENT TANK | |
| | 11 | 9097022000 | 1 | SENSOR DETERGENT MIX LEVEL | |
| | 12* | 9098025000 | 1 | ADAPTER DETERGENT KIT | |

ECOFLEX SYSTEM (Models No.: 9087403020, 9087405020, 9087404020)

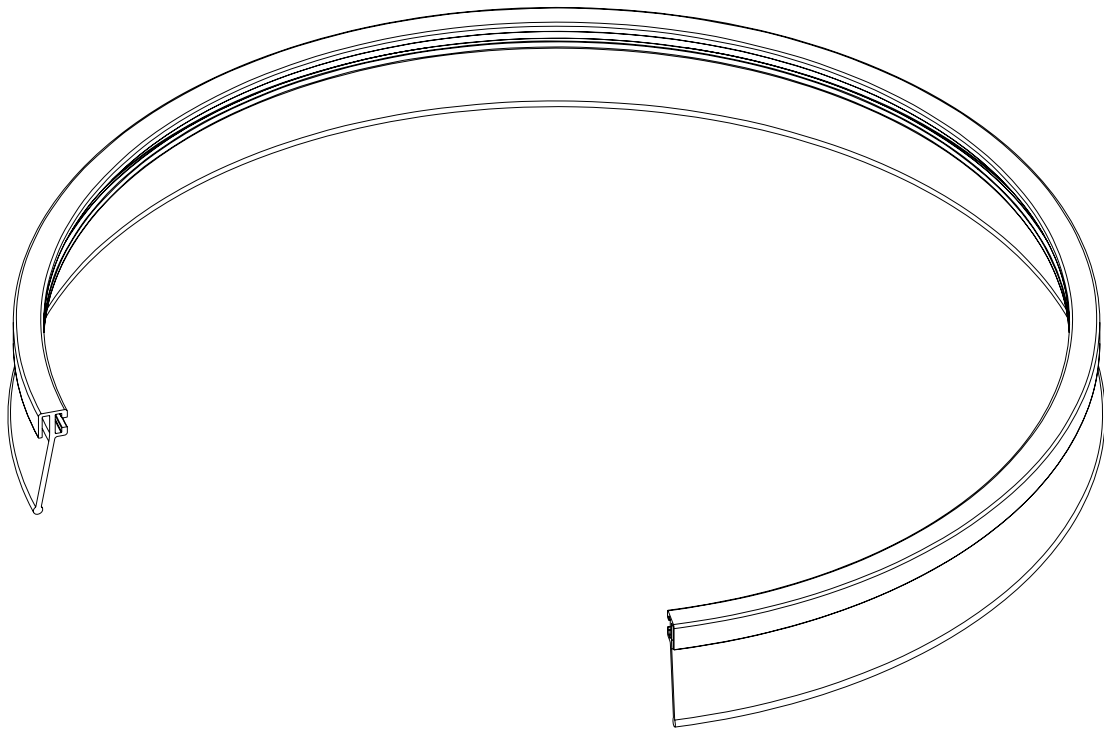


ECOFLEX SYSTEM (Models No.: 9087403020, 9087405020, 9087404020)

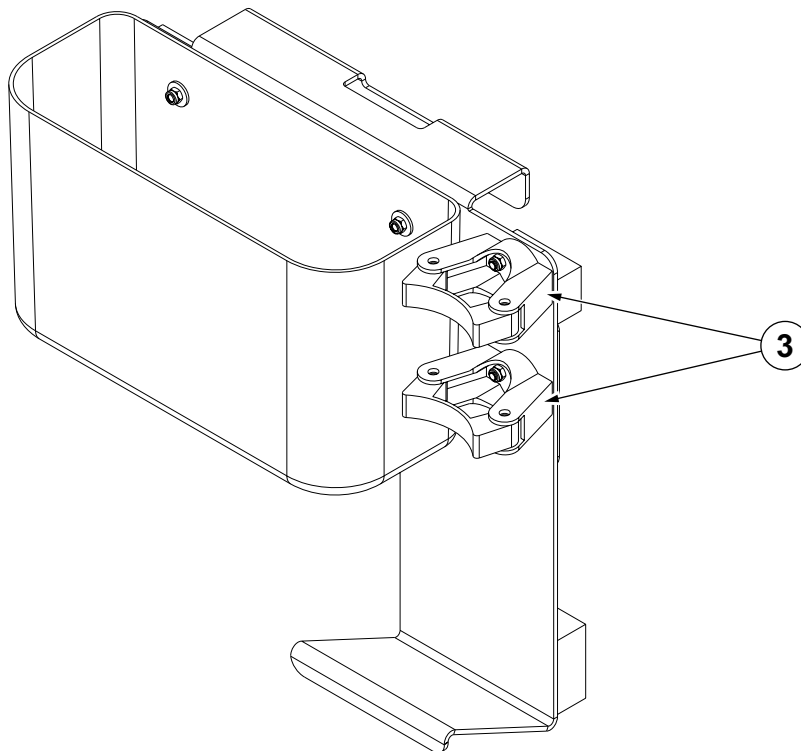
| KIT | ITEM | REF. NO. | QTY | DESCRIPTION | NOTE |
|-----|------------|-------------------|----------|---|--|
| | 1 | 56104190 | 1 | DETERGENT TANK | |
| | 2 | 56104189 | 1 | INSERT-DRY BRAKE | |
| | 3 | 9100001817 | 1 | CAP PLASTIC F CHEMICAL TANK SIP | |
| | 4 | 56315523 | 1 | CAP DRY BREAK 1/8 BARB | |
| | 5 | 9100001081 | 1 | DETERGENT TANK SIP | |
| | 6 | 9100002398 | 1 | PUMP DETERG. MIX PERISTALTIC 24V SIP | |
| | 7 | 9100002388 | 1 | HEAD PERISTALTIC PUMP DETERG. SIP | |
| | 8 | 9100000893 | 1 | SENSOR WATER LEVEL SIP | |
| | 9 | | 1 | SUPPORT WATER LEVEL SENSOR | |
| | 10 | 9100000891 | 1 | HOSE SILICONE D.4X7 L.300MM SIP | |
| | 11 | 9100002402 | 1 | BARB HOSE STRAIGHT D.5-D.4 PLAST. 2 PCS SET | |
| | 12* | 9100002395 | 1 | ECOFLEX DETERGENT KIT SC500 | (9100002394) INSTALLATION INSTRUCTIONS |
| | 13 | 9097023000 | 1 | ADAPTER DETERGENT TANK | |
| | 14 | 9097022000 | 1 | SENSOR DETERGENT MIX LEVEL | |
| | 15* | 9098025000 | 1 | ADAPTER DETERGENT KIT | |

SPLASH GUARD, MOP AND TRASH

1



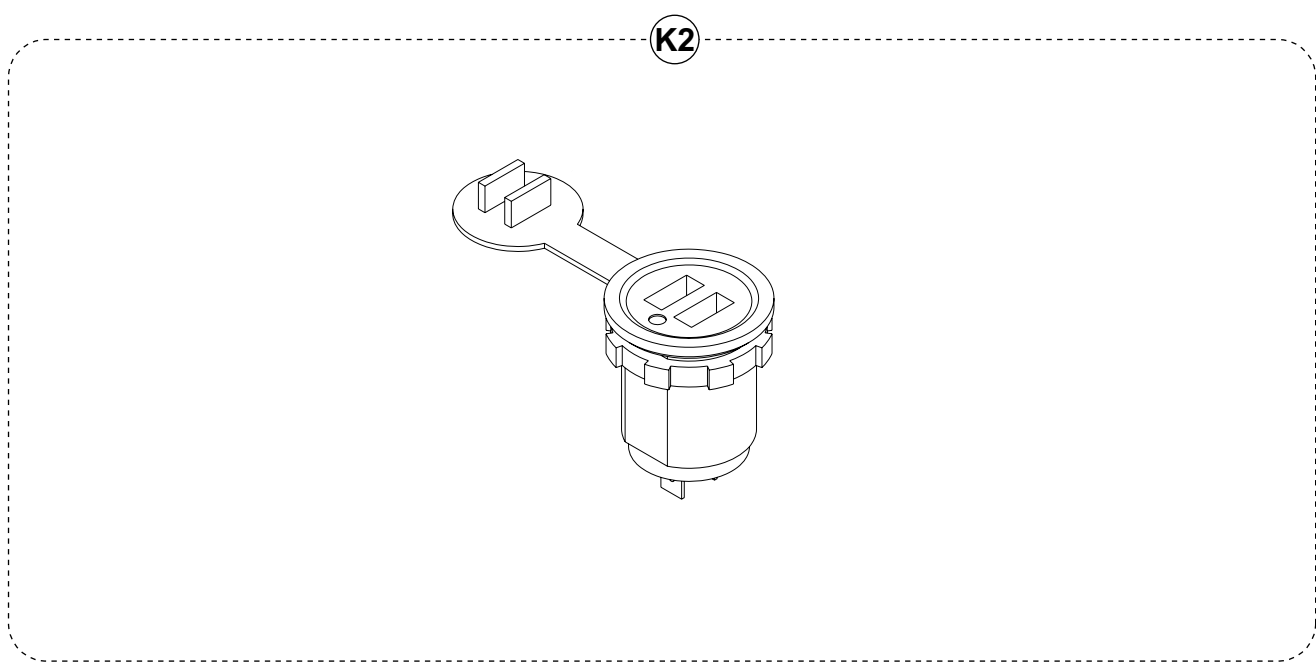
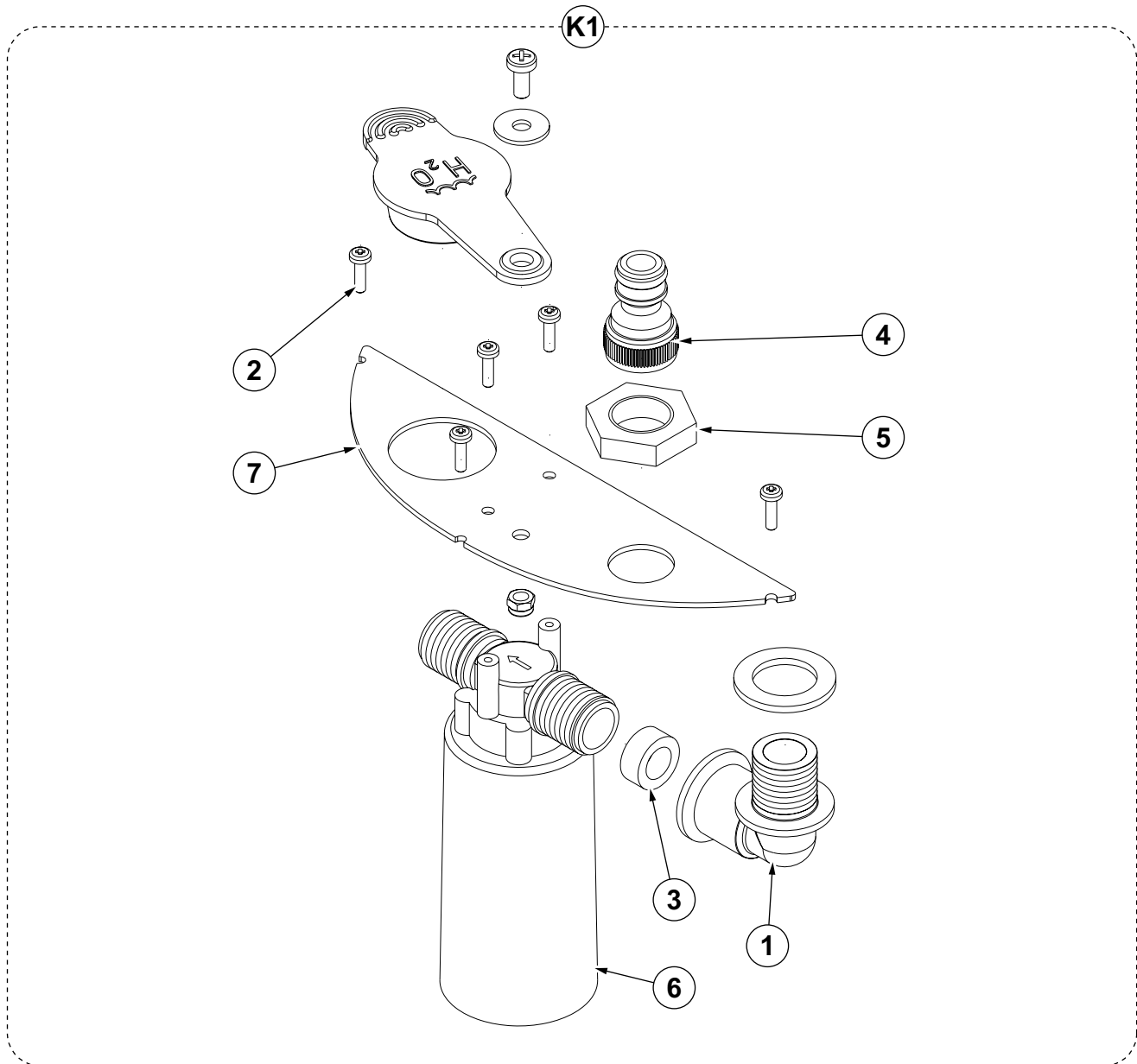
2



SPLASH GUARD, MOP AND TRASH

| KIT | ITEM | REF. NO. | QTY | DESCRIPTION | NOTE |
|-----|------|------------|-----|-----------------------------------|--|
| | 1* | 9100001441 | 1 | SPLASH GUARD CPL F BRUSH DECK SIP | |
| | 2*# | 9100002280 | 1 | MOP AND TRASH KIT | (9100002279) INSTALLATION INSTRUCTIONS |
| | 3 | 9100001369 | 2 | MOP KIT | |

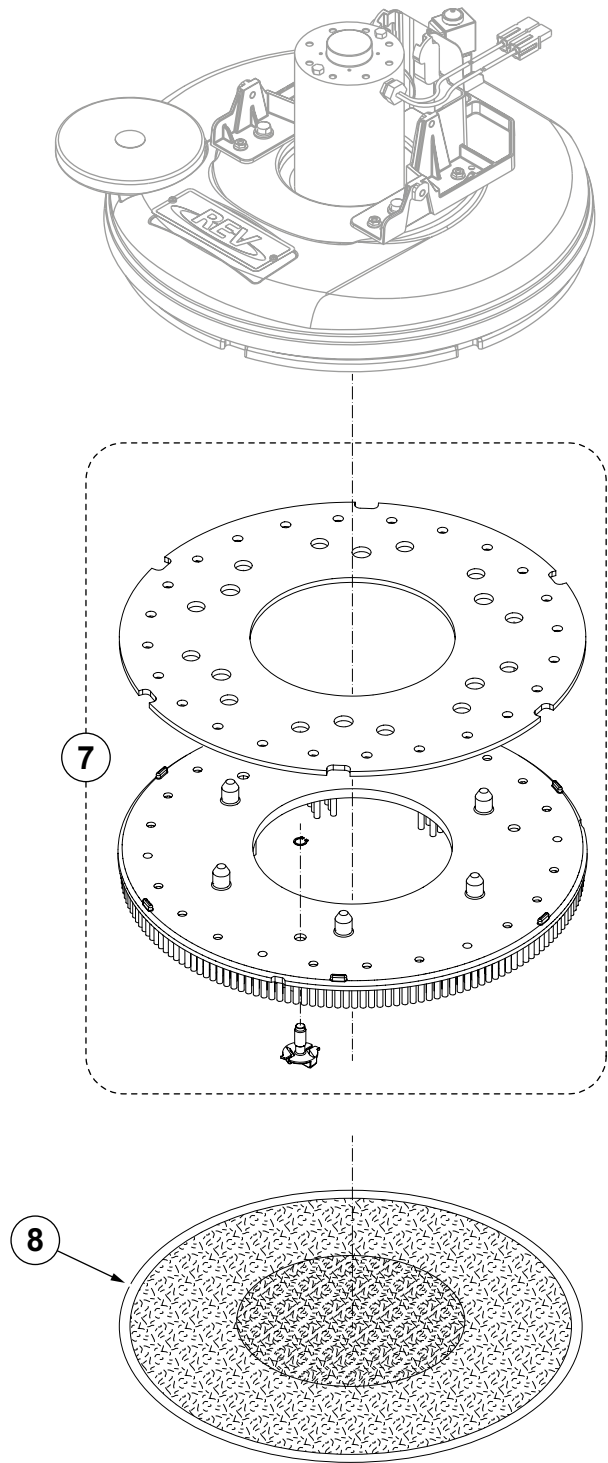
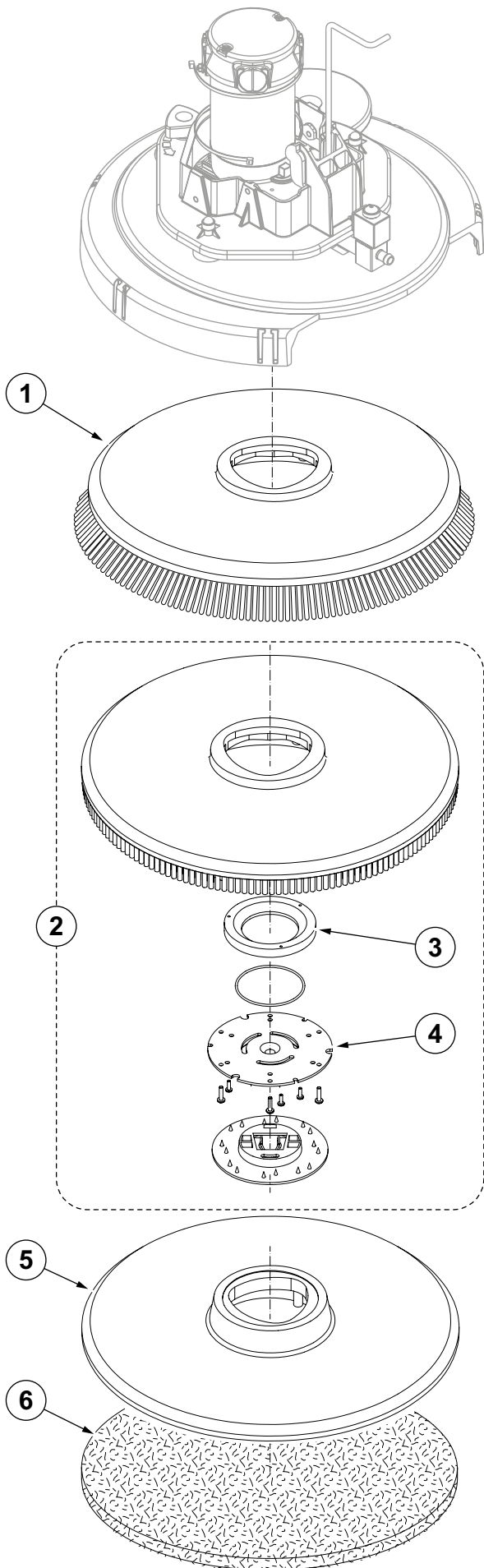
WATER FILLING, USB PORT



WATER FILLING, USB PORT

| KIT | ITEM | REF. NO. | QTY | DESCRIPTION | NOTE |
|------------|-------------|-------------------|------------|--------------------------------------|---|
| K1 | 1 | 9100000894 | 1 | ELBOW CURVED M/F SIP | |
| K1 | 8 | | 5 | SCREW 3.5X10 THD FORMING SS | |
| K1 | 3 | 9100000622 | 1 | GASKET RUBBER D.11.5X19 H8 BLACK SIP | |
| K1 | 4 | | 1 | FITTING QUICK 1/2 GAS | |
| K1 | 5 | | 1 | NUT G 1/2 DIN 431 A SS | |
| K1 | 6 | 9100000897 | 1 | VALVE WATER STOP SIP | |
| K1 | 7 | 9100000898 | 1 | SUPPORT WATER STOP SIP | |
| | K1* | 9100000005 | 1 | AUTOMATIC WATER FILLING KIT | |
| | K2* | 9100002403 | 1 | USB PORT KIT | (9100002406) INSTALLATION INSTRUCTIONS FOR MODELS NO.: 9087403020, 9087405020, 9087404020 |

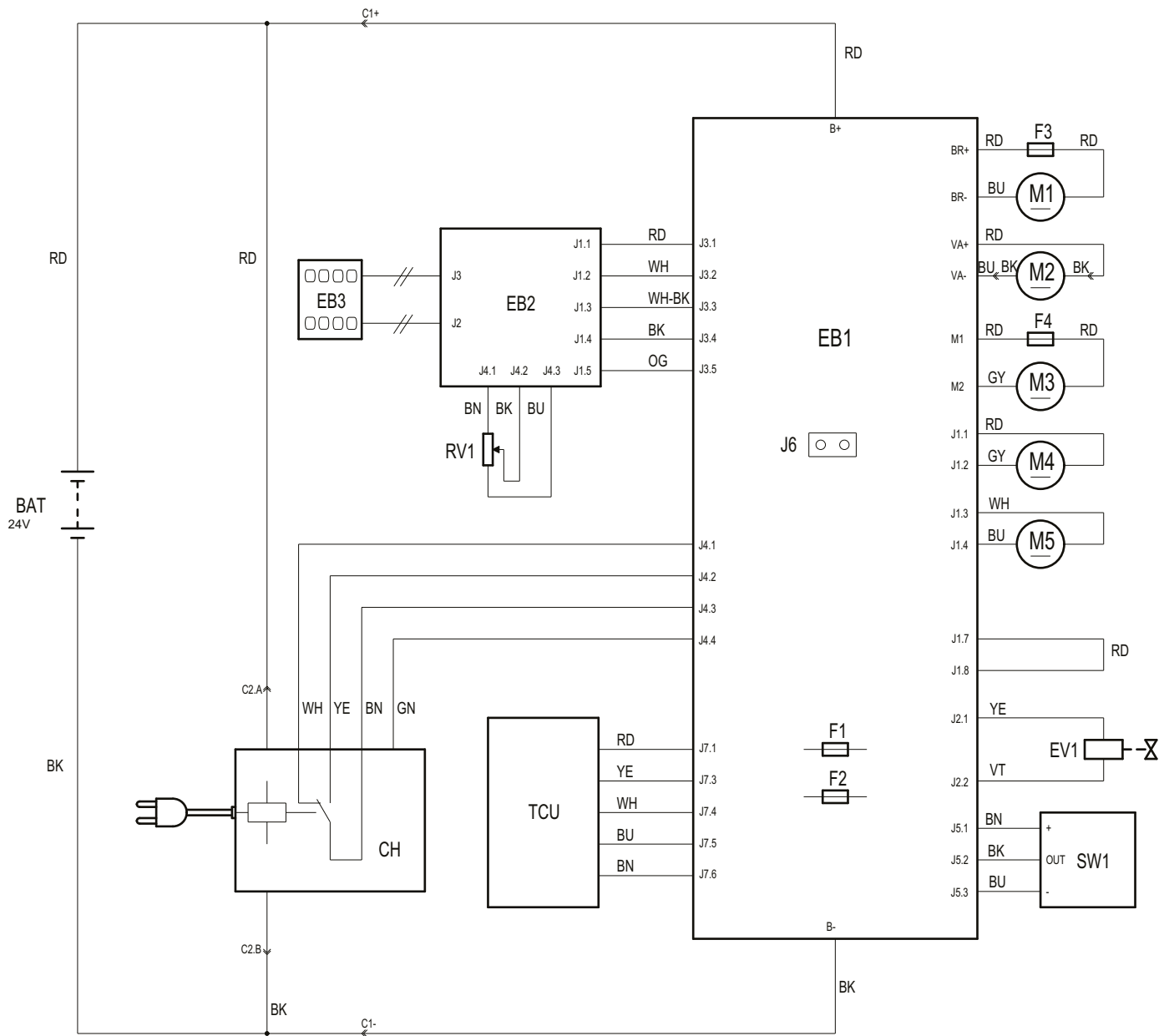
BRUSHES



BRUSHES

| KIT | ITEM | REF. NO. | QTY | DESCRIPTION | NOTE |
|-----|------|------------|-----|--|------|
| | 1* | L08837025 | 1 | BRUSH DISC 530MM 21 PROLENE | |
| | 1* | L08837026 | 1 | BRUSH DISC 530MM 21 PROLITE | |
| | 1* | L08837027 | 1 | BRUSH DISC 530MM 21 UNION MIX | |
| | 1* | L08837028 | 1 | BRUSH DISC 530MM 21 MIDLITE GRIT 180 | |
| | 1* | L08837029 | 1 | BRUSH DISC 530MM 21 MID GRIT 240 | |
| | 1* | L08837065 | 1 | BRUSH DISC 530MM 21 MAGNA GRIT 46 | |
| | 1* | L08837066 | 1 | BRUSH DISC 530MM 21 DYNA GRIT 80 | |
| | 1* | L08837067 | 1 | BRUSH DISC 530MM 21 AGLITE GRIT 500 | |
| | 2* | L08837018 | 1 | PAD HOLDER 530MM | |
| | 3 | L08603966 | 1 | RING NYLON | |
| | 4 | 56505195 | 1 | PAD RETAINER | |
| | 5* | 9099671000 | 1 | PAD HOLDER FLAT 20 508MM | |
| | 6* | 10001955 | 1 | PAD 20 508MM ECO BLACK 5PCS | |
| | 6* | 10001956 | 1 | PAD 20 508MM ECO BLUE 5PCS | |
| | 6* | 10001957 | 1 | PAD 20 508MM ECO BROWN 5PCS | |
| | 6* | 10001958 | 1 | PAD 20 508MM ECO GREEN 5PCS | |
| | 6* | 10001959 | 1 | PAD 20 508MM ECO RED 5PCS | |
| | 6* | 10001960 | 1 | PAD 20 508MM ECO WHITE 5PCS | |
| | 6* | 10002348 | 1 | PAD 20 508MM ECO BRILLIANCE RED 2PCS | |
| | 6* | 10002349 | 1 | PAD 20 508MM ECO BRILLIANCE BLUE 2PCS | |
| | 6* | 10002350 | 1 | PAD 20 508MM ECO BRILL. YELLOW 2PCS | |
| | 6* | 10002351 | 1 | PAD 20 508MM ECO BRILLIANCE GREEN 2PCS | |
| | 7* | 56390008 | 1 | BRUSH NYLON REV | |
| | 8* | 56390079 | 1 | MICROFIBER PAD | |

WIRING DIAGRAM (Models No.: 9087352020, 9087353020, 9087354020)



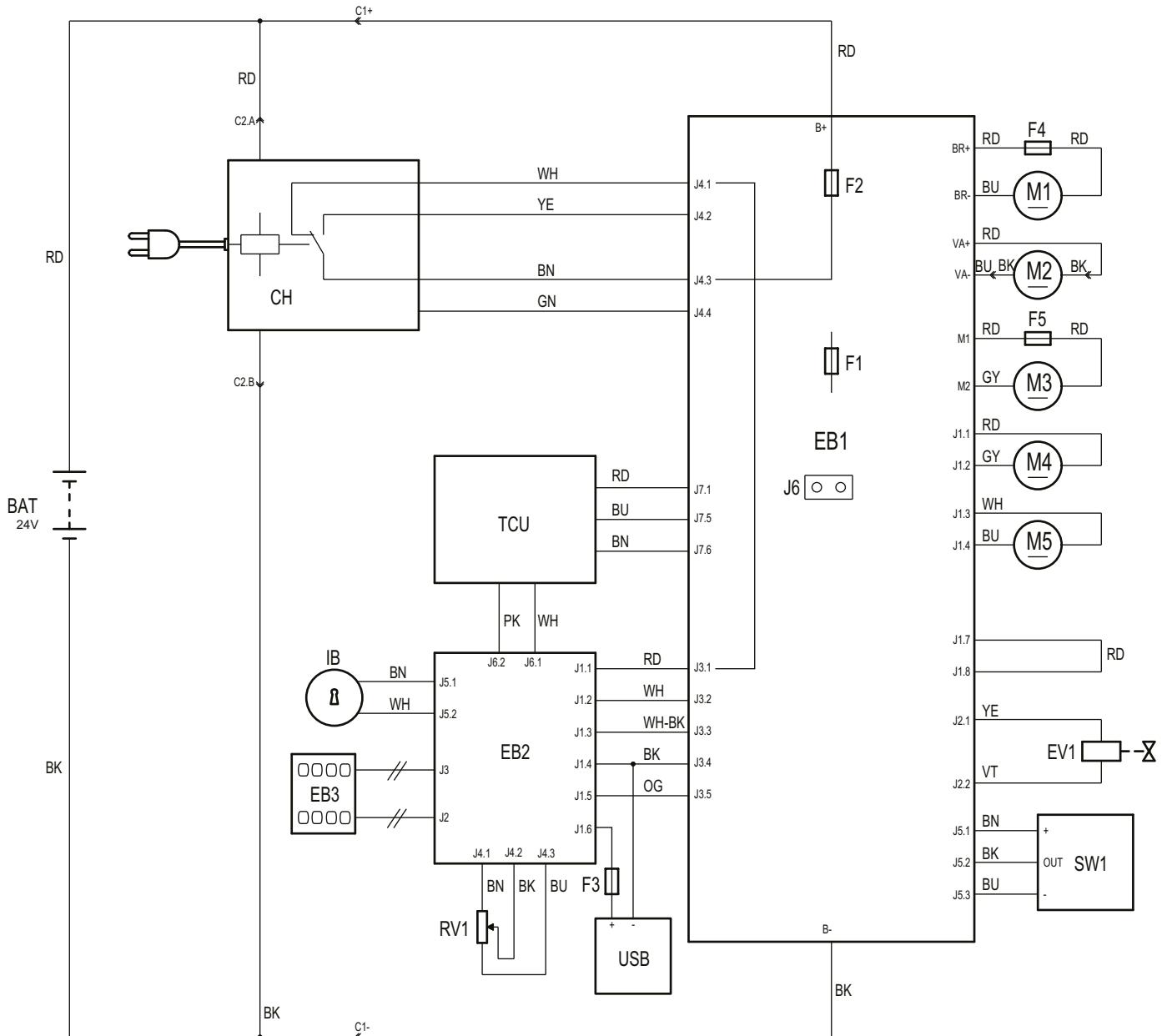
WIRING DIAGRAM (Models No.: 9087352020, 9087353020, 9087354020)

| KEY | REF. NO. | DESCRIPTION | NOTE |
|-----|------------|--|------------------|
| BAT | - | 24 V BATTERIES | |
| C1 | 9100002117 | CONNECTOR RED 120A 2 PCS SET | |
| C2 | - | BATTERY CHARGER MAIN CONNECTOR | |
| C3 | - | BATTERY CHARGER SUB-CONNECTOR | |
| CH | 9100000888 | CHARGER BATT. O/B 24V 13A 100-230V SIP | |
| EB1 | 9100000879 | CONTROLLER MAIN MACHINE SIP | |
| EB2 | 9100000842 | CARD DISPLAY SIP | |
| EB3 | 9100000846 | DASHBOARD CONTROL PANEL SIP | FOR DISC VERSION |
| | 9100000847 | DASHBOARD CONTROL PANEL SIP | FOR REV VERSION |
| EV1 | 9100000870 | SOLENOID VALVE 24V SIP | |
| F1 | 9100000877 | FUSE MIDIFUSE 100A SIP | |
| F2 | 9100000878 | FUSE BLADE 3A SIP | |
| F3 | 9100002233 | FUSE BOLT DOWN 30A SIP | |
| F4 | 9100002234 | FUSE BOLT DOWN 50A SIP | |
| M1 | 9100000874 | REDUCTION GEARMOTOR 450W 24V SIP | FOR DISC VERSION |
| | 9100001860 | MOTOR 24VDC SIP | FOR REV VERSION |
| M2 | 9100000823 | MOTOR VACUUM 24V 280W SIP | |
| M3 | 9100000921 | MOTOR ELECTRIC 200W 24V | |
| M4 | 9100001819 | PUMP DETERGENT MIX KIT | |
| M5 | 9100000805 | ACTUATOR LINEAR 24V DC STRK 120MM SIP | FOR DISC VERSION |
| | 9100000806 | ACTUATOR LINEAR 24V DC STRK 98MM SIP | FOR REV VERSION |
| RV1 | 9100000837 | POTENTIOMETER 5K SIP | |
| SW1 | 9100000893 | SENSOR WATER LEVEL SIP | |
| TCU | - | TRACKUNIT PUSH-BUTTON (OPTIONAL) | |

| KEY | COLOUR |
|-----|------------|
| BK | BLACK |
| BU | LIGHT BLUE |
| BN | BROWN |
| GN | GREEN |
| GY | GREY |
| OG | ORANGE |

| KEY | COLOUR |
|-----|--------|
| PK | PINK |
| RD | RED |
| VT | VIOLET |
| WH | WHITE |
| YE | YELLOW |

WIRING DIAGRAM (Models No.: 9087403020, 9087405020, 9087404020)



WIRING DIAGRAM (Models No.: 9087403020, 9087405020, 9087404020)

| KEY | REF. NO. | DESCRIPTION | NOTE |
|-----|------------|--|------------------|
| BAT | - | 24 V BATTERIES | |
| C1 | 9100002117 | CONNECTOR RED 120A 2 PCS SET | |
| C2 | - | BATTERY CHARGER MAIN CONNECTOR | |
| C3 | - | BATTERY CHARGER SUB-CONNECTOR | |
| CH | 9100000888 | CHARGER BATT. O/B 24V 13A 100-230V SIP | |
| EB1 | 9100002397 | CONTROLLER MAIN MACHINE SIP | |
| EB2 | 9100002391 | CONTROLLER DISPLAY SIP | |
| EB3 | 9100002392 | CONTROLLER USER INTERFACE SIP | FOR DISC VERSION |
| | 9100002393 | CONTROLLER USER INTERFACE REV SIP | FOR REV VERSION |
| EV1 | 9100000870 | SOLENOID VALVE 24V SIP | |
| F1 | 9100000877 | FUSE MIDIFUSE 100A SIP | |
| F2 | 9100000878 | FUSE BLADE 3A SIP | |
| F3 | - | USB FUSE | |
| F4 | 9100002233 | FUSE BOLT DOWN 30A SIP | |
| F5 | 9100002234 | FUSE BOLT DOWN 50A SIP | |
| IB | 56116477 | SMART KEY - PROBE | |
| M1 | 9100000874 | REDUCTION GEARMOTOR 450W 24V SIP | FOR DISC VERSION |
| | 9100001860 | MOTOR 24VDC SIP | FOR REV VERSION |
| M2 | 9100000823 | MOTOR VACUUM 24V 280W SIP | |
| M3 | 9100000921 | MOTOR ELECTRIC 200W 24V | |
| M4 | 9100002398 | PUMP DETERG. MIX PERISTALTIC 24V SIP | |
| M5 | 9100000805 | ACTUATOR LINEAR 24V DC STRK 120MM SIP | FOR DISC VERSION |
| | 9100000806 | ACTUATOR LINEAR 24V DC STRK 98MM SIP | FOR REV VERSION |
| RV1 | 9100000837 | POTENTIOMETER 5K SIP | |
| SW1 | 9100000893 | SENSOR WATER LEVEL SIP | |
| TCU | - | TRACKUNIT PUSH-BUTTON (OPTIONAL) | |
| USB | 9100002403 | USB PORT KIT | |

KEY COLOUR

| | |
|----|------------|
| BK | BLACK |
| BU | LIGHT BLUE |
| BN | BROWN |
| GN | GREEN |
| GY | GREY |
| OG | ORANGE |

KEY COLOUR

| | |
|----|--------|
| PK | PINK |
| RD | RED |
| VT | VIOLET |
| WH | WHITE |
| YE | YELLOW |

RECOMMENDED PARTS

| REF. NO. | QTY | DESCRIPTION | NOTE |
|-----------------------------------|-----|--|--|
| NORMAL WEAR | | | |
| 910000829 | 1 | BAND ELASTIC F EXTENSION CABLE SIP | |
| 910000810 | 1 | BLADE SQUEEGEE 740MM 29 GUM KIT | |
| 910000490 | 1 | BLADE SQUEEGEE 730MM 29 PU KIT | |
| 910000060 | 1 | BLADE SQUEEGEE 730MM 29 RED GUM KIT | |
| 910000922 | 1 | CARBON BRUSHES KIT 2 PCS | |
| 9098376000 | 1 | CARBON BRUSHES KIT 4 PCS | FOR DISC VERSION |
| ORDINARY MAINTENANCE | | | |
| 910000794 | 1 | CABLE SAFETY F TANK KIT | |
| 910000812 | 1 | HOSE DRAIN BLACK SIP | |
| 910000889 | 1 | CLIP HOSE STOPPING 2 PCS SET | |
| 910000816 | 1 | HOSE SUCTION BLACK SIP | |
| 910000904 | 1 | MOTOR VACUUM 24V 280W CPL KIT | |
| 910000819 | 1 | GASKET BULB RUBBER L.1670MM SIP | |
| 910000921 | 1 | MOTOR ELECTRIC 200W 24V | |
| 910000823 | 1 | MOTOR VACUUM 24V 280W SIP | |
| 910000739 | 1 | GASKETS VACUUM MOTOR KIT | |
| 910000830 | 1 | WHEEL D.200X50 GREY-BLACK 2 PCS SET | |
| 910000843 | 1 | KEY OPERATOR COMPLETE SIP | Models No.: 9087352020, 9087353020, 9087354020 |
| 56116518 | 1 | SMART KEY - USER | Models No.: 9087403020, 9087405020, 9087404020 |
| 56116477 | 1 | SMART KEY - PROBE | |
| 910000902 | 2 | BEARING FLANGE IGLIDUR 2 PCS SET | |
| 910000855 | 1 | SPRING GAS 30 KG SIP | |
| 910000856 | 1 | WHEEL PIVOTING 2 PCS SET | |
| 9100002396 | 1 | SLEEVE RUBBER BLACK F SUCTION HOSE SIP | |
| 910000903 | 1 | WASHER THRUST GTM 3254-015 SIP | |
| 910000796 | 1 | HOSES SOLUTION SYSTEM KIT | |
| 910000861 | 1 | NET WATER FILTER REINFORCED SIP | |
| 910000559 | 3 | WHEEL D.51 GREY SIP | |
| 910000864 | 1 | STRAP ELASTIC F REAR SQUEEGEE BLADE SIP | |
| 910000865 | 1 | STRAP FRONT SQUEEGEE BLADE SIP | |
| 9100001816 | 1 | GUIDE WHEEL 2 PCS SET | |
| 910000797 | 1 | HOSES BRUSH DECK KIT | |
| 910000870 | 1 | SOLENOID VALVE 24V SIP | |
| 910000871 | 1 | HUB BRUSH SIP | |
| 910000874 | 1 | REDUCTION GEARMOTOR 450W 24V SIP | FOR DISC VERSION |
| 9100001860 | 1 | MOTOR 24VDC SIP | FOR REV VERSION |
| 9100001283 | 1 | CARBON BRUSHES W/HOLDER SIP | FOR REV VERSION |
| L08603949 | 1 | CARBON BRUSHES SET 4 PCS | FOR REV VERSION |
| 910000901 | 1 | GASKET ADHESIVE 12X5 L.1090MM SIP | FOR REV VERSION |
| 910000798 | 1 | GASKETS COVER KIT | |
| EXTRA ORDINARY MAINTENANCE | | | |
| 910000803 | 1 | VALVE ELBOW SIP | |
| 9098446000 | 1 | HOSE SOLUTION | |
| 909 6380 000 | 1 | CLAMP KIT | |
| 910000899 | 1 | FILTER WATER INLET SIP | |
| 910000805 | 1 | ACTUATOR LINEAR 24V DC STRK 120MM SIP | FOR DISC VERSION |
| 910000806 | 1 | ACTUATOR LINEAR 24V DC STRK 98MM SIP | FOR REV VERSION |
| 910000808 | 1 | RUBBER SOLUTION CAP SIP | |
| 910000703 | 1 | HOSE FILLING SIP | |
| 910000743 | 1 | MOTOR DRIVE 200W 24V SIP | |
| 910000820 | 1 | HARNESS VACUUM MOTOR SIP | |
| 9100001875 | 1 | SUPPORT FLOAT KIT | |
| 910000837 | 1 | POTENTIOMETER 5K SIP | |
| 910000842 | 1 | CARD DISPLAY SIP | Models No.: 9087352020, 9087353020, 9087354020 |
| 9100002391 | 1 | CONTROLLER DISPLAY SIP | Models No.: 9087403020, 9087405020, 9087404020 |
| 910000845 | 1 | HARNESS CONTROL PANEL SIP | |
| 910000846 | 1 | DASHBOARD CONTROL PANEL SIP DISC VERSION | Models No.: 9087352020, 9087353020, 9087354020 |
| 910000847 | 1 | DASHBOARD CONTROL PANEL SIP REV VERSION | |
| 9100002392 | 1 | CONTROLLER USER INTERFACE SIP | Models No.: 9087403020, 9087405020, 9087404020 |
| 9100002393 | 1 | CONTROLLER USER INTERFACE REV SIP | |
| 910000848 | 1 | KEY SERVICE COMPLETE SIP | Models No.: 9087352020, 9087353020, 9087354020 |

RECOMMENDED PARTS - ACCESSORIES/OPTIONALS

| REF. NO. | QTY | DESCRIPTION | NOTE |
|-----------------------------|------------|--|--|
| 56116519 | 1 | SMART KEY - SUPERVISOR | Models No.: 9087403020, 9087405020, 9087404020 |
| 9100000860 | 1 | FILTER WATER SIP | |
| 9100000747 | 1 | SQUEEGEE 730MM/29 PRE-ASSEMBLED SIP | |
| 9100000868 | 1 | VIBRATION DAMPING M8 60SH 2 PCS SET | FOR REV VERSION |
| 9100000873 | 1 | DECK BRUSH SIP | FOR DISC VERSION |
| 56382991 | 1 | KIT-ISOLATOR BOOST HD | FOR REV VERSION |
| 9100000879 | 1 | CONTROLLER MAIN MACHINE SIP | Models No.: 9087352020, 9087353020, 9087354020 |
| 9100002397 | 1 | CONTROLLER MAIN MACHINE SIP | Models No.: 9087403020, 9087405020, 9087404020 |
| 9100002232 | 1 | HARNESS MACHINE SC500 53B/20B SIP | FOR ALL VERSIONS NOTE ONLY FOR REV VERSION - STARTING FROM S/N 3510163605524 |
| 9100001863 | 1 | HARNESS MACHINE SC500 20R SIP | ONLY FOR REV VERSION - UNTIL S/N 3510163605523 - SEE TSB-FC-2016-009 |
| 9100002117 | 1 | CONNECTOR RED 120A 2 PCS SET | |
| 9100000888 | 1 | CHARGER BATT. O/B 24V 13A 100-230V SIP | |
| 9100001819 | 1 | KIT PUMP DETERGENT MIX | Models No.: 9087352020, 9087353020, 9087354020 |
| 9100002398 | 1 | PUMP DETERG. MIX PERISTALTIC 24V SIP | Models No.: 9087403020, 9087405020, 9087404020 |
| 9100000893 | 1 | SENSOR WATER LEVEL SIP | |
| ACCESSORIES/OPTIONAL | | | |
| 9100000703 | 1 | HOSE FILLING SIP | |
| 9100000491 | 1 | HIGH POWER VACUUM MOTOR 24V 450W KIT | |
| 9100000795 | 1 | TRAY DEBRIS KIT | |
| 9100000843 | 1 | KEY OPERATOR COMPLETE SIP | Models No.: 9087352020, 9087353020, 9087354020 |
| 9100000848 | 1 | KEY SERVICE COMPLETE SIP | |
| 56116518 | 1 | SMART KEY - USER | Models No.: 9087403020, 9087405020, 9087404020 |
| 56116519 | 1 | SMART KEY - SUPERVISOR | |
| 9100002403 | 1 | USB PORT KIT | |
| 909 5065 000 | 1 | FILTER ANTIFOAMING | |
| 9100001366 | 1 | SQUEEGEE NON MARKING 730MM/29 KIT | |
| 9100000810 | 1 | BLADE SQUEEGEE 740MM 29 GUM KIT | |
| 9100000490 | 1 | BLADE SQUEEGEE 730MM 29 PU KIT | |
| 9100000060 | 1 | BLADE SQUEEGEE 730MM 29 RED GUM KIT | |
| 9100002395 | 1 | ECOFLEX DETERGENT KIT SC500 | Models No.: 9087403020, 9087405020, 9087404020 |
| 9098025000 | 1 | ADAPTER DETERGENT KIT | |
| 9100001441 | 1 | SPLASH GUARD 510MM 20 KIT | |
| # | 9100002280 | MOP AND TRASH KIT | (9100002279) INSTALLATION INSTRUCTIONS |
| | 9100000005 | AUTOMATIC WATER FILLING KIT | |
| | L08837025 | BRUSH DISC 530MM 21 PROLENE | FOR DISC VERSION |
| | L08837026 | BRUSH DISC 530MM 21 PROLITE | FOR DISC VERSION |
| | L08837027 | BRUSH DISC 530MM 21 UNION MIX | FOR DISC VERSION |
| | L08837028 | BRUSH DISC 530MM 21 MIDLITE GRIT 180 | FOR DISC VERSION |
| | L08837029 | BRUSH DISC 530MM 21 MID GRIT 240 | FOR DISC VERSION |
| | L08837065 | BRUSH DISC 530MM 21 MAGNA GRIT 46 | FOR DISC VERSION |
| | L08837066 | BRUSH DISC 530MM 21 DYNA GRIT 80 | FOR DISC VERSION |
| | L08837067 | BRUSH DISC 530MM 21 AGLITE GRIT 500 | FOR DISC VERSION |
| | L08837018 | PAD HOLDER 530MM | FOR DISC VERSION |
| | 9099671000 | PAD HOLDER FLAT 20 508MM | FOR DISC VERSION |
| | 10001955 | PAD 20 508MM ECO BLACK 5PCS | FOR DISC VERSION |
| | 10001956 | PAD 20 508MM ECO BLUE 5PCS | FOR DISC VERSION |
| | 10001957 | PAD 20 508MM ECO BROWN 5PCS | FOR DISC VERSION |
| | 10001958 | PAD 20 508MM ECO GREEN 5PCS | FOR DISC VERSION |
| | 10001959 | PAD 20 508MM ECO RED 5PCS | FOR DISC VERSION |
| | 10001960 | PAD 20 508MM ECO WHITE 5PCS | FOR DISC VERSION |
| | 10002348 | PAD 20 508MM ECO BRILLIANCE RED 2PCS | FOR DISC VERSION |
| | 10002349 | PAD 20 508MM ECO BRILLIANCE BLUE 2PCS | FOR DISC VERSION |
| | 10002350 | PAD 20 508MM ECO BRILL. YELLOW 2PCS | FOR DISC VERSION |
| | 10002351 | PAD 20 508MM ECO BRILLIANCE GREEN 2PCS | FOR DISC VERSION |
| | 56390008 | BRUSH NYLON REV | FOR REV VERSION |
| | 56390079 | MICROFIBER PAD | FOR REV VERSION |

9435 Winnetka Avenue North
Brooklyn Park, MN 55445
www.advance-us.com
Phone: 800-989-2235
Fax: 800-989-6566
©2017 Nilfisk, Inc.

