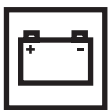
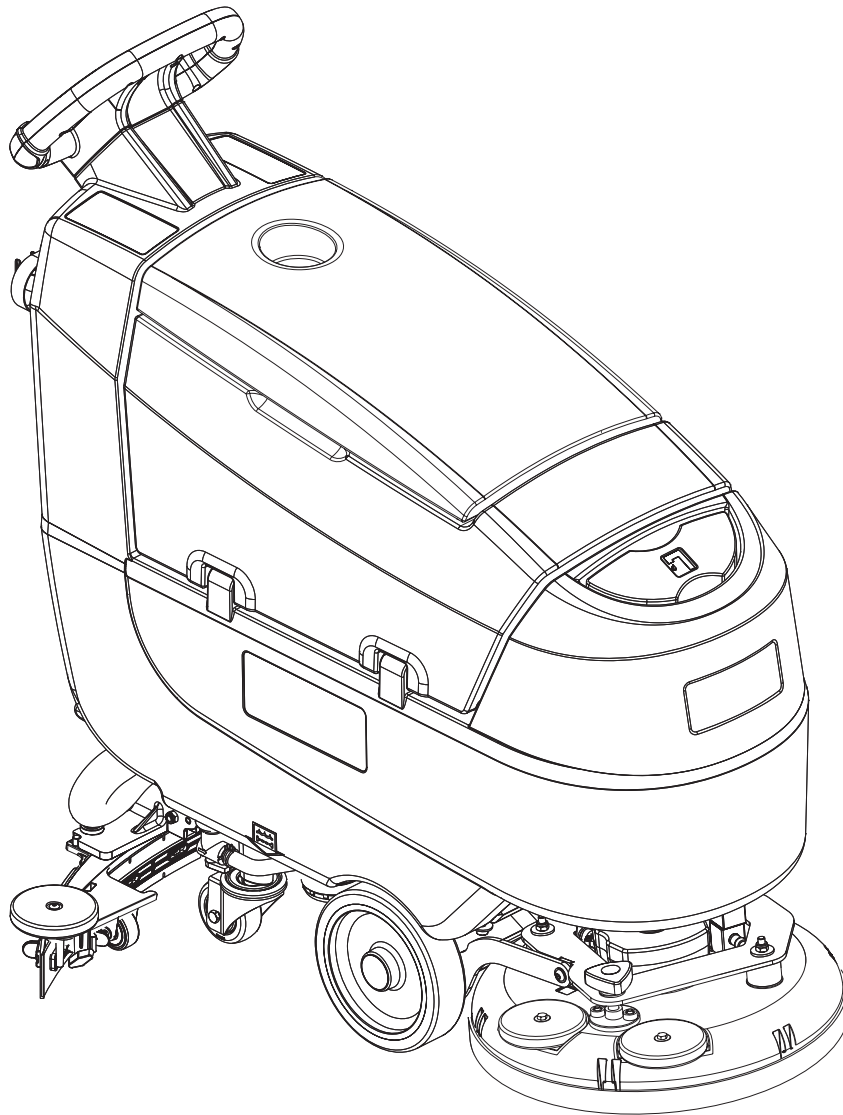


SC401

Parts list

09/2017
(A)
FORM NO. 9100002293



Model No.:
9087394020, 9087395020

TABLE OF CONTENTS

GENERAL VIEW	2
SOLUTION TANK SYSTEM	4
RECOVERY TANK SYSTEM	6
VACUUM MOTOR SYSTEM	8
WHEELS SYSTEM (DRIVE)	10
WHEELS SYSTEM (NO DRIVE).....	12
HANDLEBAR SYSTEM (DRIVE)	14
HANDLEBAR SYSTEM (NO DRIVE).....	16
REAR WHEELS SYSTEM.....	18
SQUEEGEE SYSTEM.....	20
BRUSH DECK (DRIVE).....	22
BRUSH DECK (NO DRIVE)	24
ELECTRICAL COMPONENTS SYSTEM.....	26
COVER ELECTRONIC SYSTEM.....	28
BATTERY CHARGER	30
DETERGENT SYSTEM.....	32
ACCESSORIES - OPTIONALS.....	34
BRUSHES	36
WIRING DIAGRAM	38
RECOMMENDED PARTS.....	40
ACCESSORIES/OPTIONALS	41

WHEN ORDERING PARTS

- Use the part numbers from the “REF. NO.” columns in this parts list. If the “REF. NO.” column is blank; look under the “KIT” column to identify which kit contains the part in question, then use the kit callout, for example “K1”, to find the “REF. NO.” for that kit.
- Specify the model number and serial number of the machine.
- Use the space below to record the model and serial number for future reference.

Model No.

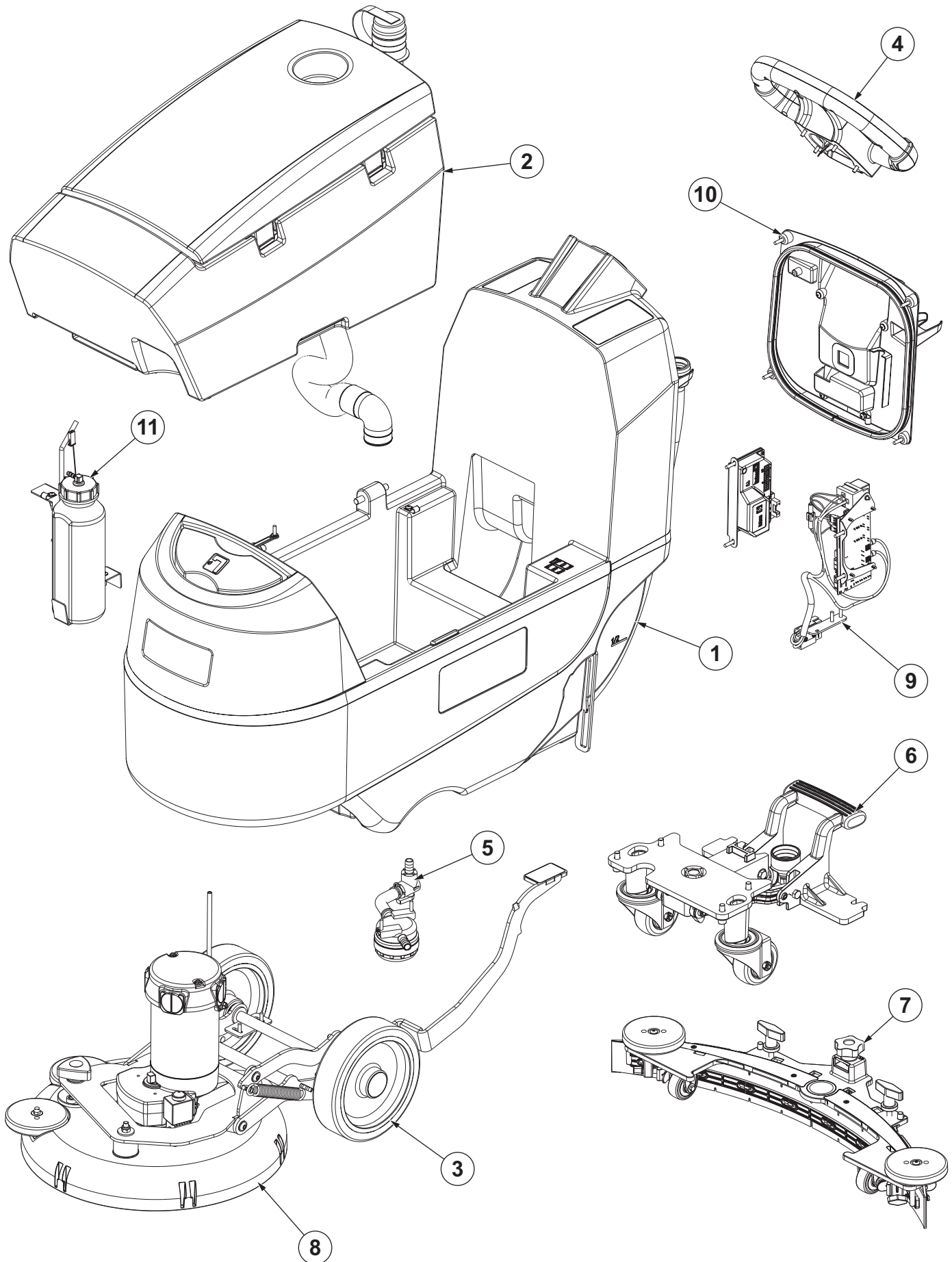
Serial No.

* = Optional

= Modified item No. or New item No.

[] = Not shown

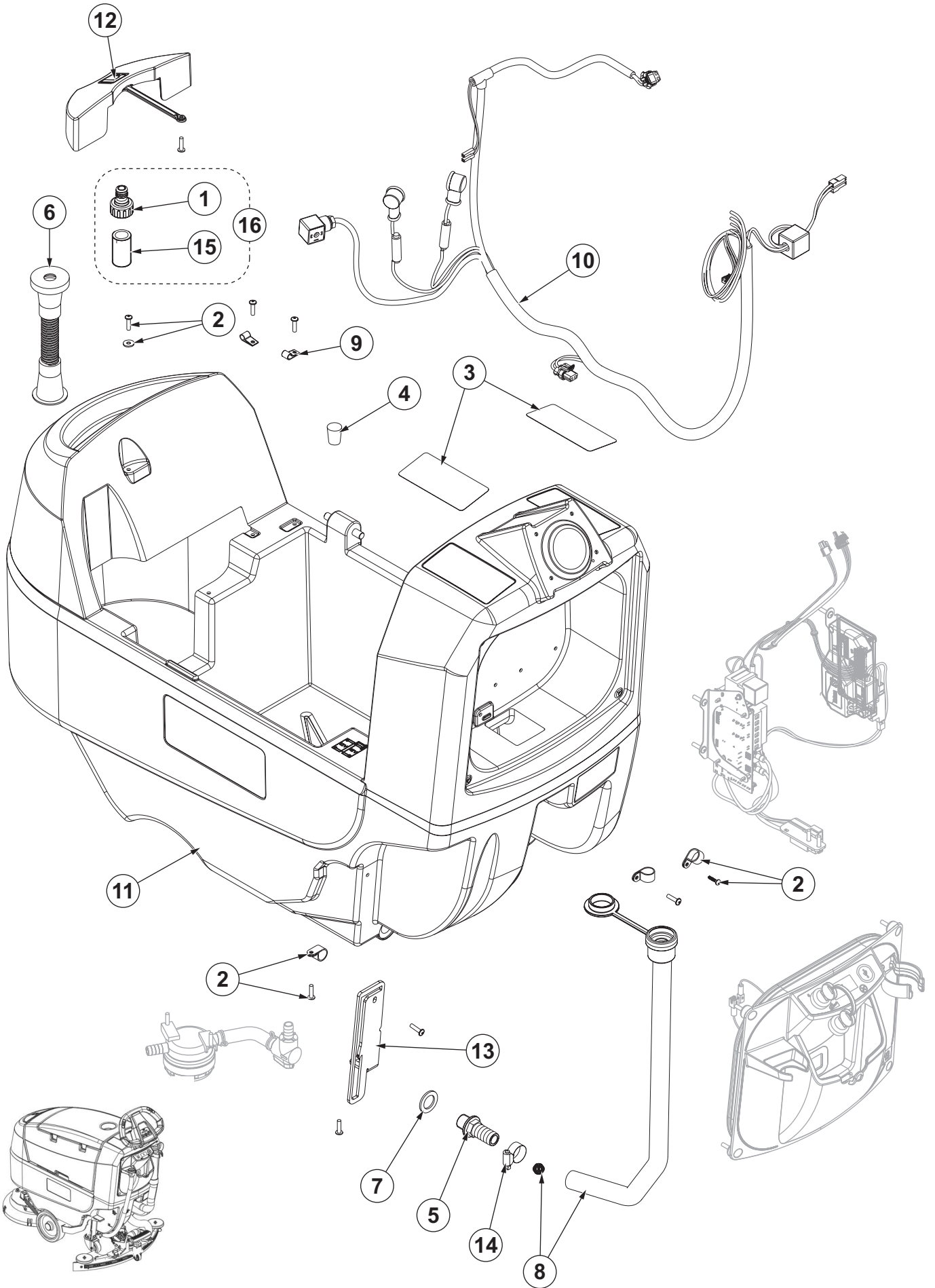
GENERAL VIEW



GENERAL VIEW

KIT	ITEM	REF. NO.	QTY	DESCRIPTION	NOTE
	1	-	1	SOLUTION TANK SYSTEM	
	2	-	1	RECOVERY TANK SYSTEM	
	3	-	1	WHEELS SYSTEM	
	4	-	1	HANDLEBAR SYSTEM	
	5	-	1	SOLUTION SYSTEM	
	6	-	1	REAR WHEELS SYSTEM	
	7	-	1	SQUEEGEE SYSTEM	
	8	-	1	BRUSH DECK SYSTEM	
	9	-	1	ELECTRICAL COMPONENTS SYSTEM	
	10	-	1	COVER ELECTRONIC SYSTEM	
	11	-	1	DETERGENT SYSTEM	

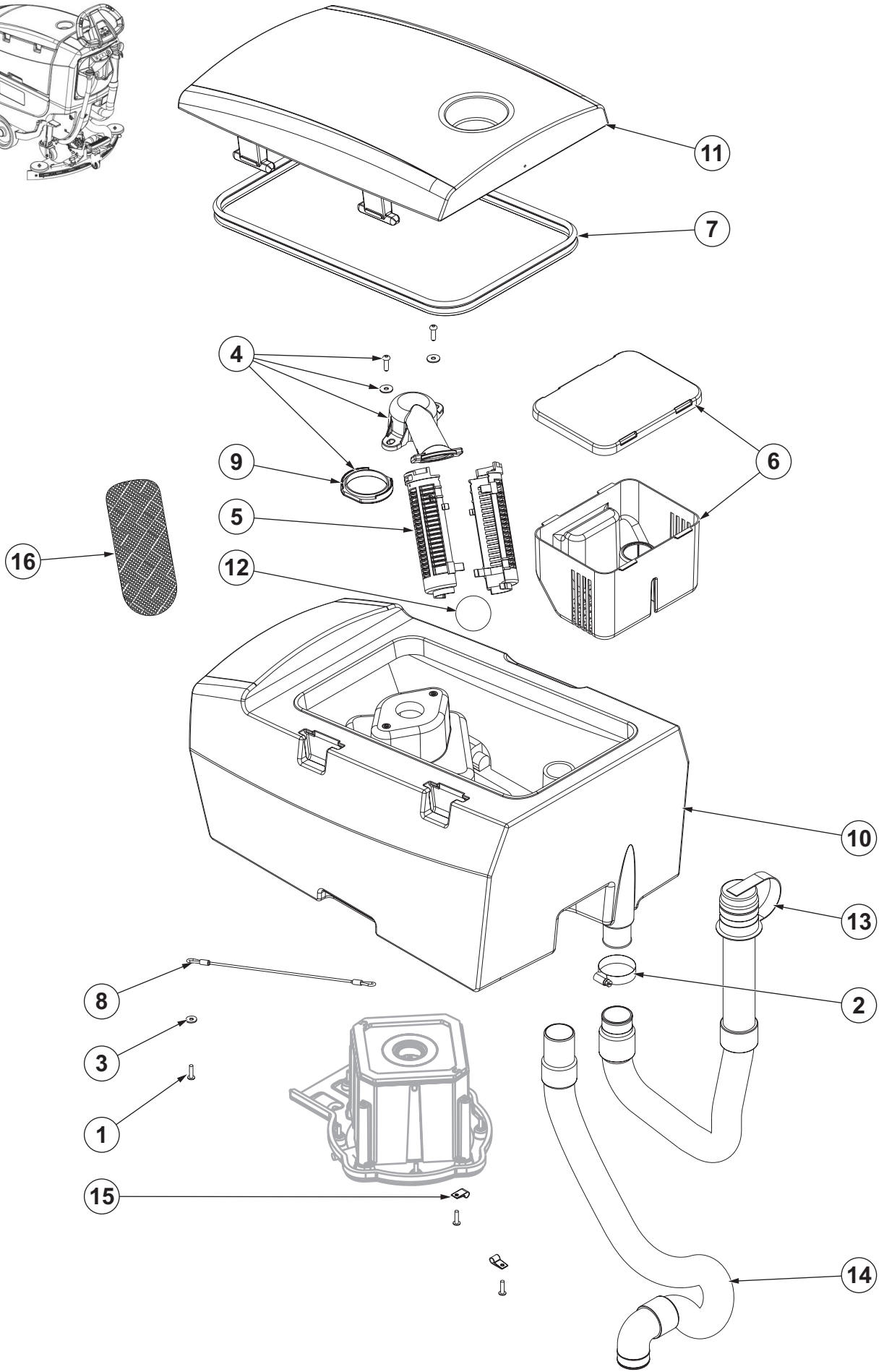
SOLUTION TANK SYSTEM



SOLUTION TANK SYSTEM

KIT	ITEM	REF. NO.	QTY	DESCRIPTION	NOTE
	1	1402809	1	MALE QUICK COUPLING. COMPLETE	
	2	9100002424	1	HARDWARE SOLUTION TANK KIT	
	3	9100002434	1	DECALS FUNCTIONS SETTING KIT	
	4	909 6236 000	1	CAP BLACK	
	5	9100000574	1	BARB HOSE STRAIGHT D.19.8 G1/2 PLAST KIT	
	6	9100000703	1	HOSE FILLING SIP	
	7	9100001139	1	GASKET RUBBER D.21X33X2.5 BLACK SIP	
	8	9100002431	1	HOSE FRESH WATER LEV. W/CAP KIT	
	9	L08193000	2	CLAMP CABLE BLACK	
	10	9100002425	1	HARNESS MACHINE DRIVE SIP	DRIVE
	10	9100002426	1	HARNESS MACHINE SIP	NO DRIVE
	11	9100002427	1	TANK SOLUTION 30LT PLAST. GREY DRIVE SIP	DRIVE
	11	9100002428	1	TANK SOLUTION 30LT PLAST. GREY SIP	NO DRIVE
	12	9100002430	1	CAP RUBBER F SOLUTION TANK SIP	
	13	9100002432	1	SUPPORT PEDAL SS F DRIVE VERS. SIP	DRIVE
	13	9100002433	1	SUPPORT PEDAL SS SIP	NO DRIVE
	14	L08603916	1	CLAMP 12/16-27	
	15	9100002435	1	CONNECTOR MALE THD 3/4 G PLAST.BLACK SIP	
16*	9100002572	1	1	HOSE QUICK CONNECTION	

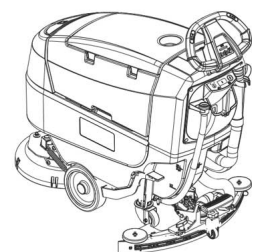
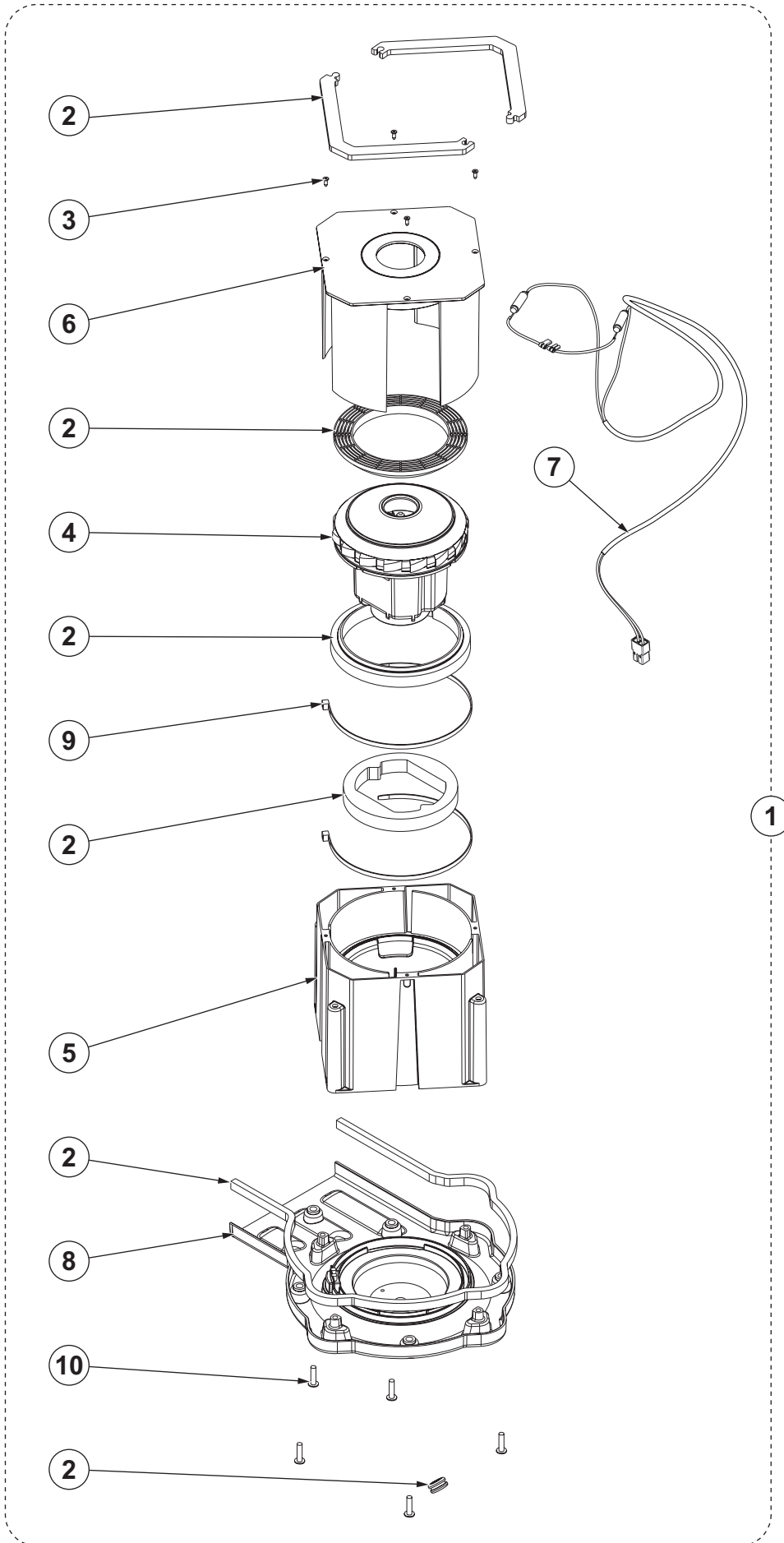
RECOVERY TANK SYSTEM



RECOVERY TANK SYSTEM

KIT	ITEM	REF. NO.	QTY	DESCRIPTION	NOTE
	1	9100002437	1	SCREW M5X20 TORX ISO7380-2 10 PCS SET	
	2	9100001348	1	CLAMP 14/32-52 10 PCS SET	
	3	145 8280 000	1	WASHER PLAIN M5X15 SS ISO7093	
	4	9100001875	1	SUPPORT FLOAT KIT	
	5	9100000818	1	CAGE FLOAT HALF 2 PCS SET	
	6	9100000795	1	TRAY DEBRIS KIT	
	7	9100002436	1	GASKET BULB RUBBER L.1450MM SIP	
	8	9100002438	1	CABLE SAFETY F TANK SIP	
	9	9100000928	1	GASKET FLOAT SUPPORT SIP	
	10	9100002439	1	TANK RECOVERY 30LT PLAST. GREY SIP	
	11	9100002441	1	COVER TANK PLAST. GREY SIP	
	12	9100000817	1	BALL FLOATING SIP	
	13	9100002443	1	HOSE DRAIN BLACK L.530MM SIP	
	14	9100002444	1	HOSE SUCTION SQUEE. 90 BLACK L.970MM SIP	
	15	L08193000	2	CLAMP CABLE BLACK	
	16*	909 5065 000	1	FILTER ANTIFOAMING	

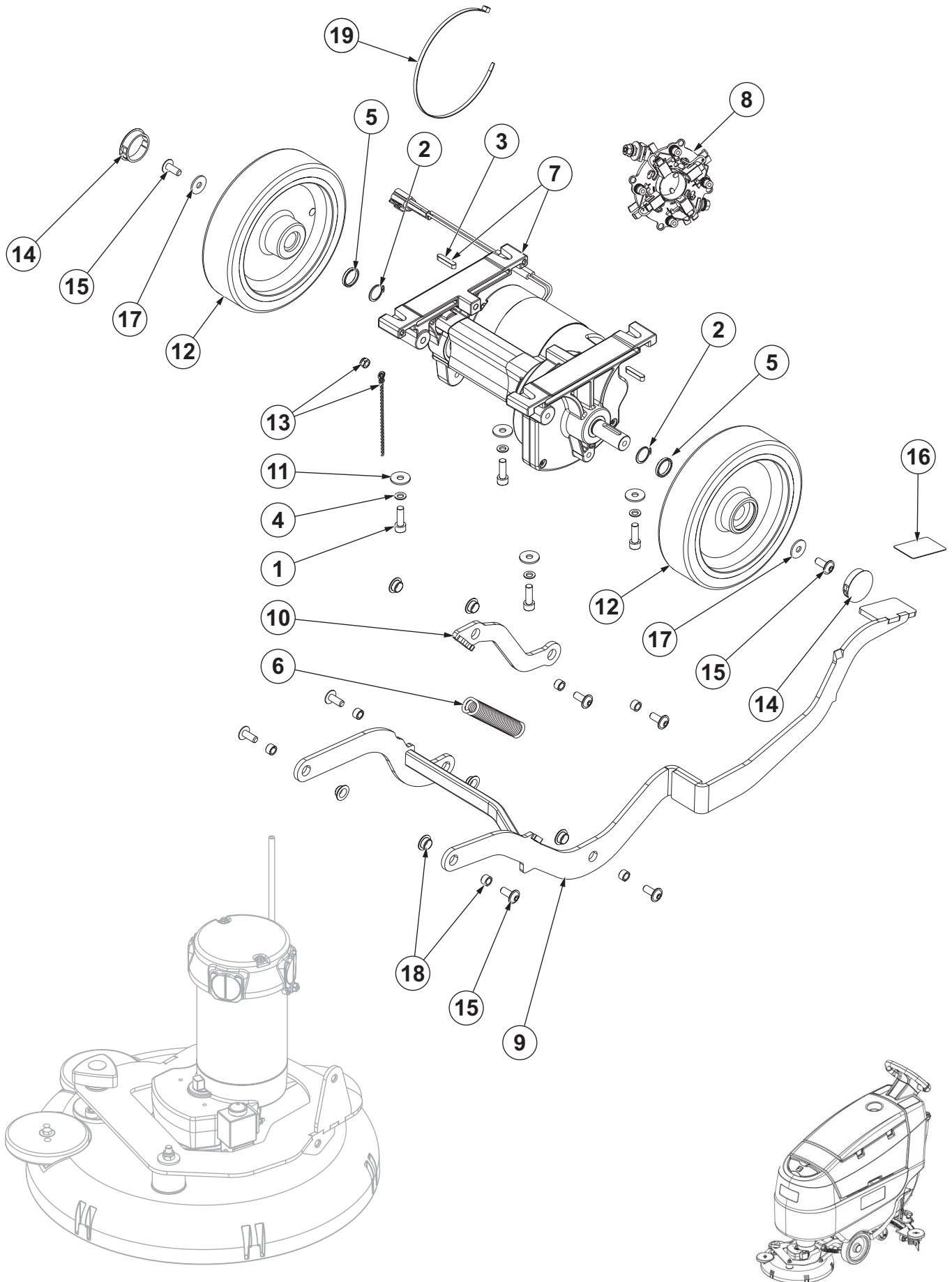
VACUUM MOTOR SYSTEM



VACUUM MOTOR SYSTEM

KIT	ITEM	REF. NO.	QTY	DESCRIPTION	NOTE
	1	9100002533	1	MOTOR VACUUM 24V CPL KIT	
	2	9100002447	1	GASKETS VAC. MOTOR KIT	
	3	145 1756 000	4	SCREW 2.9X9.5 SELF C/SUNK PHIL ISO7050	
	4	9100000823	1	MOTOR VACUUM 24V 280W SIP	
	5	9100001983	1	SUPPORT EXT. PLAST. F VAC. MOTOR SIP	
	6	9100001989	1	SUPPORT INT. PLAST. F VAC. MOTOR SIP	
	7	9100002445	1	HARNESS VACUUM MOTOR 24V SIP	
	8	9100002446	1	SUPPORT PLAST. F VACUUM MOTOR SIP	
	9	1466337000	1	TIE CABLE 4.8X430 WHITE 2 PCS SET	
	10	9100002437	1	SCREW M5X20 TORX ISO7380-2 10 PCS SET	

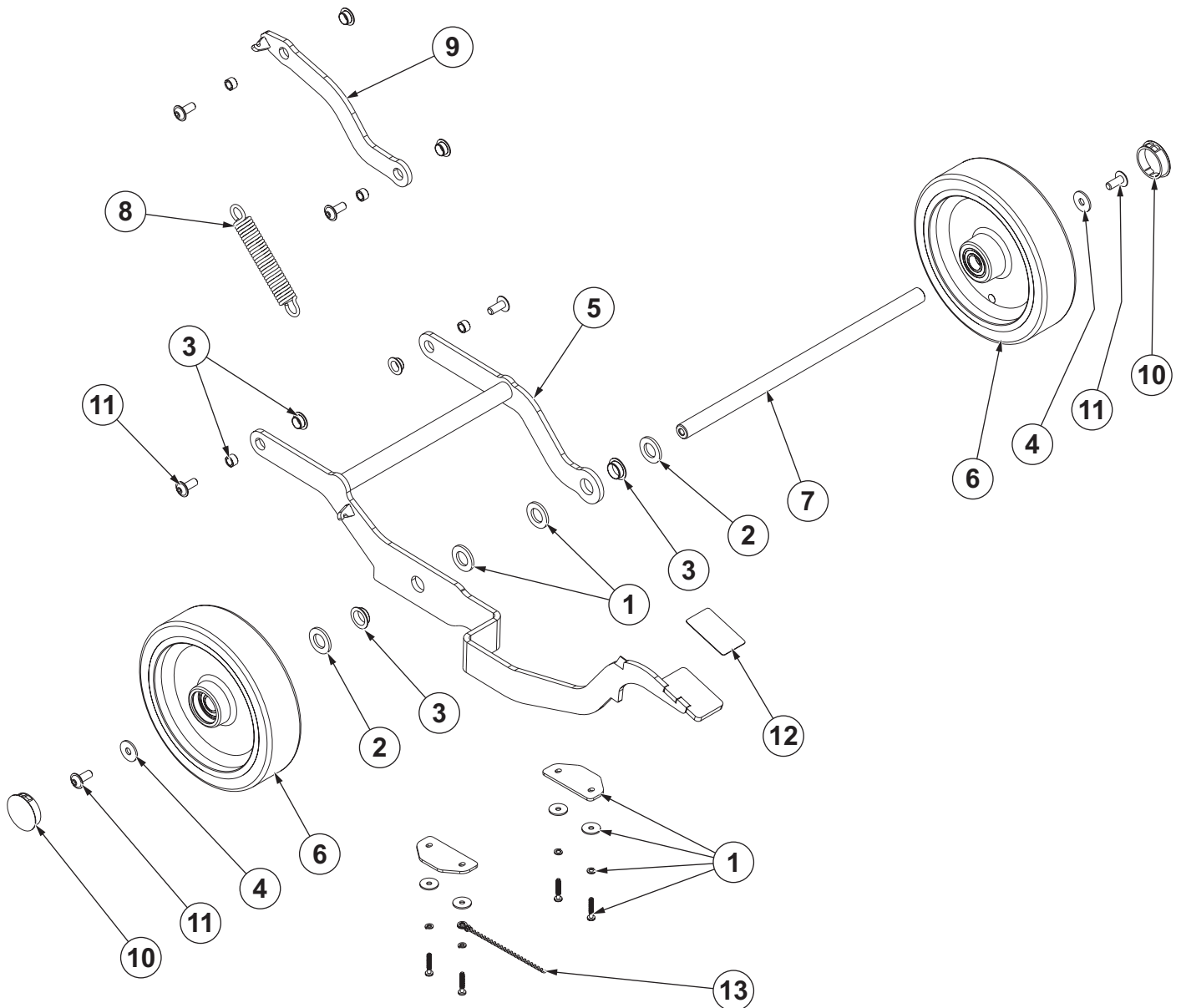
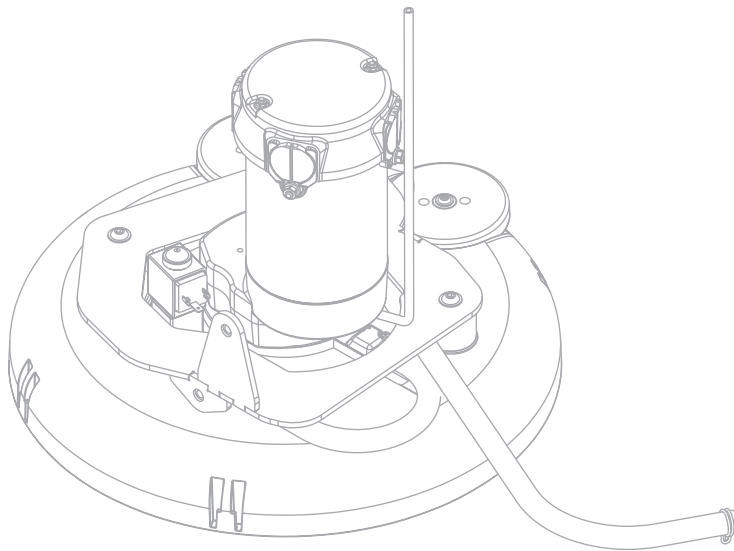
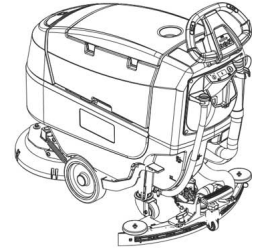
WHEELS SYSTEM (DRIVE)



WHEELS SYSTEM (DRIVE)

KIT	ITEM	REF. NO.	QTY	DESCRIPTION	NOTE
	1	3928	4	SCREW M8X30 ISO 4762 8.8 ZN	
	2	9100001346	1	RING D 20 UNI7435 10 PCS SET	
	3	9100001156	1	KEY JOINT 6X30 UNI6604A 10 PCS SET	
	4	9100002448	1	WASHER SELF BL.D.M8 DIN25201 10 PCS SET	
	5	9100001161	1	SPACER 20.5X25X4 10 PCS SET	
	6	9100002452	1	SPRING EXTENTION D.E.20.5 WIRE D.3.5 SIP	
	7	9100002540	1	MOTOR DRIVE 160W 24V SIP	
	8	9100000920	1	CARBON BRUSHES W/HOLDER KIT	
	9	9100002453	1	PEDAL BRUSH LIFTING GALV.DRIVE SIP	
	10	9100002454	1	LEVER GALV. F BRUSH DECK DRIVE SIP	
	11	9100002451	1	WASHER PL.M8X20X1.25 DIN522 10 PCS SET	
	12	9100002455	2	WHEEL TRACTION D.200X50 BLACK/GREY SIP	
	13	9100002459	1	CHAIN W/EYELET GROUND KIT	
	14	9100002450	1	PLUG DOME O.D.42.4 PLAST.BLACK 2 PCS SET	
	15	9100002456	1	SCREW M8X20 BUTTON ISO7380-2 10 PCS SET	
	16	9100002457	1	ANTI-SLIP SURFACING BLACK 35X60MM SIP	
	17	33023660	1	WASHER PLAIN M8X24X2 ISO7093 5 PCS SET	
	18	9100002458	1	BUSHINGS AND BEARINGS F PEDAL SYST. KIT	
	19	9100002449	1	TIE CABLE 4.8X500 BLACK 2 PCS SET	

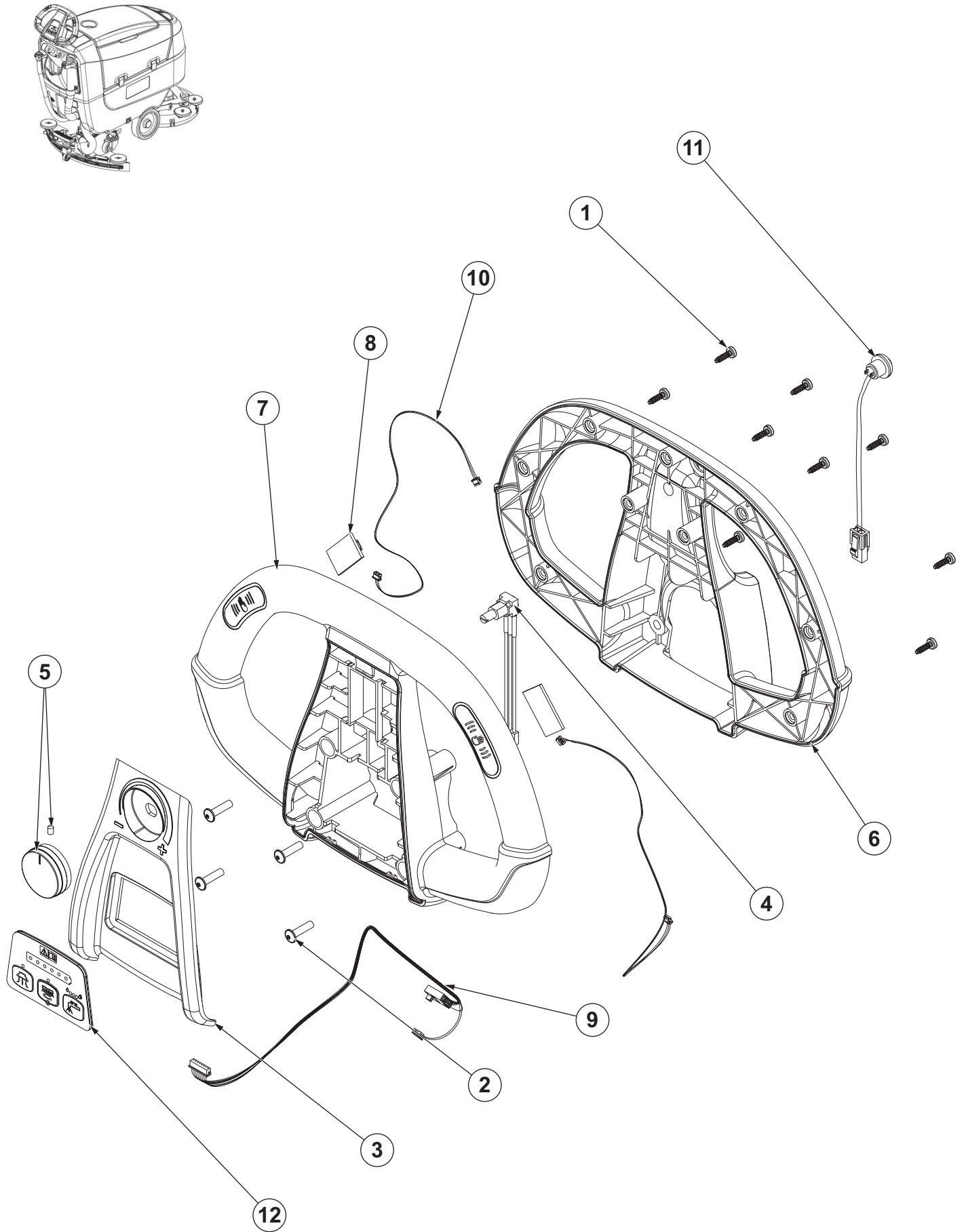
WHEELS SYSTEM (NO DRIVE)



WHEELS SYSTEM (NO DRIVE)

KIT	ITEM	REF. NO.	QTY	DESCRIPTION	NOTE
	1	9100002465	1	HARDWARE FRONT WHEELS SYST.NO DRIVE KIT	
	2	33023628	1	WASHER PLAIN M16X30 ISO7089 10PCS.SET	
	3	9100002458	1	BUSHINGS AND BEARINGS F PEDAL SYST. KIT	
	4	33023660	1	WASHER PLAIN M8X24X2 ISO7093 5 PCS SET	
	5	9100002461	1	PEDAL BRUSH LIFTING GALV. SIP	
	6	9100002462	2	WHEEL D.200X50 TPE BLACK/GREY SIP	
	6*	9100002546	1	WHEEL D.200X50 TPU BLACK/GREY 2 PCS SET	
	7	9100002463	1	SHAFT WHEELS PHOS. SIP	
	8	9100002452	1	SPRING EXTENTION D.E.20.5 WIRE D.3.5 SIP	
	9	9100002464	1	LEVER BRUSH DECK GALV. SIP	
	10	9100002450	1	PLUG DOME O.D.42.4 PLAST.BLACK 2 PCS SET	
	11	9100002456	1	SCREW M8X20 BUTTON ISO7380-2 10 PCS SET	
	12	9100002457	1	ANTI-SLIP SURFACING BLACK 35X60MM SIP	
	13	9100002459	1	CHAIN W/EYELET GROUND KIT	

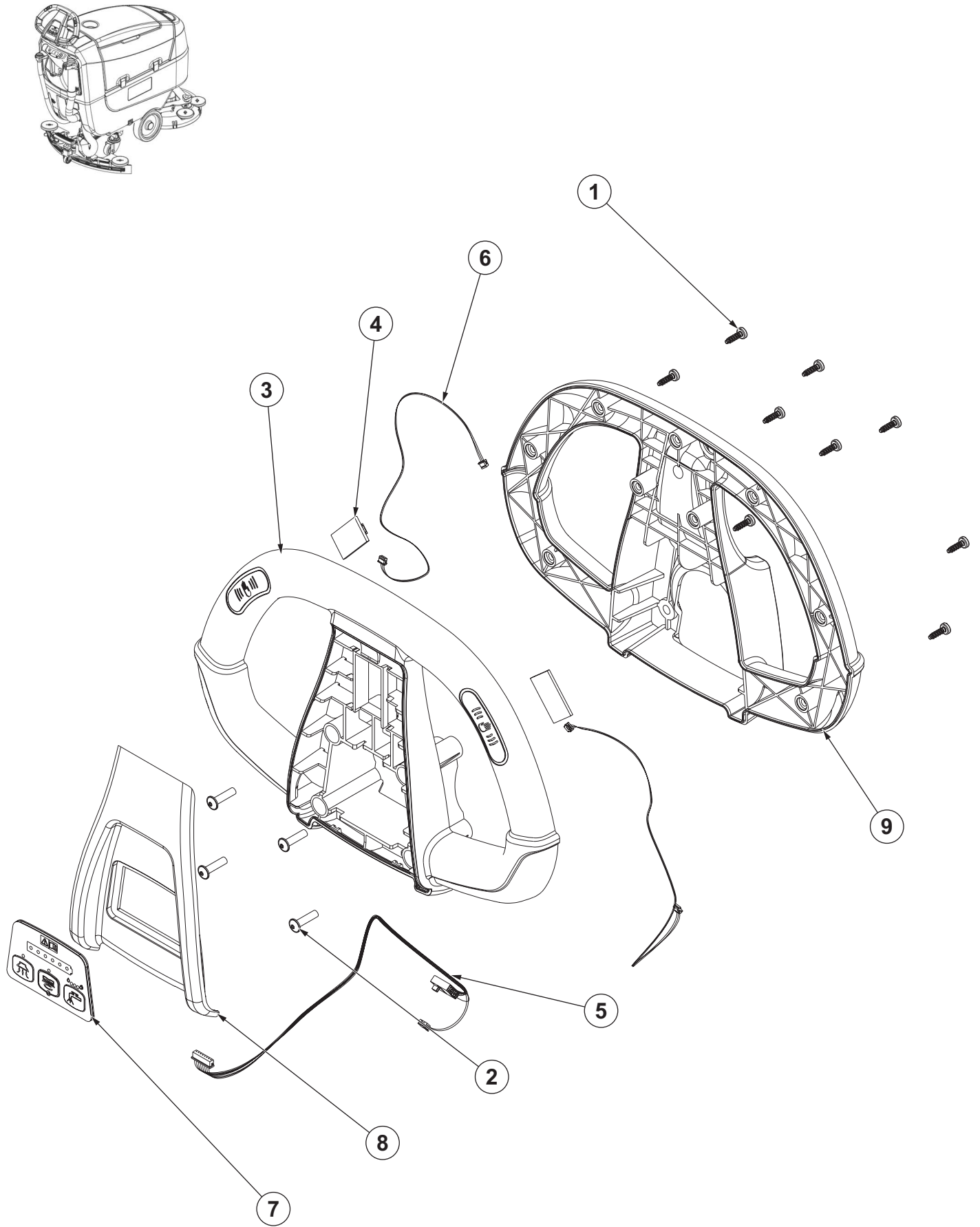
HANDLEBAR SYSTEM (DRIVE)



HANDLEBAR SYSTEM (DRIVE)

KIT	ITEM	REF. NO.	QTY	DESCRIPTION	NOTE
	1	140 9214 040	9	SCREW PT TORX K40X14 FZB	
	2	9100002437	1	SCREW M5X20 TORX ISO7380-2 10 PCS SET	
	3	9100002471	1	COVER CENTR.PLAST.HANDLE BAR W/DRIVE SIP	
	4	9097043000	1	POTENTIOMETER	
	5	9098484000	1	KNOB POTENTIOMETER KIT	
	6	9100002466	1	FRAME PLAST. F HANDLE BAR W/DRIVE SIP	
	7	9100002467	1	COVER PLAST. F HANDLE BAR SIP	
	8	9100002016	2	SENSOR CAPACITIVE SIP	
	9	9100002468	1	HARNESS DASHBOARD SIP	
	10	9100002469	2	HARNESS HANDLE BAR SENSORS SIP	
	11	9100002470	1	SWITCH W/CONNECTOR F REVERSE SIP	
	12	9100002472	1	CONTROLLER USER INTERFACE 24V SIP	

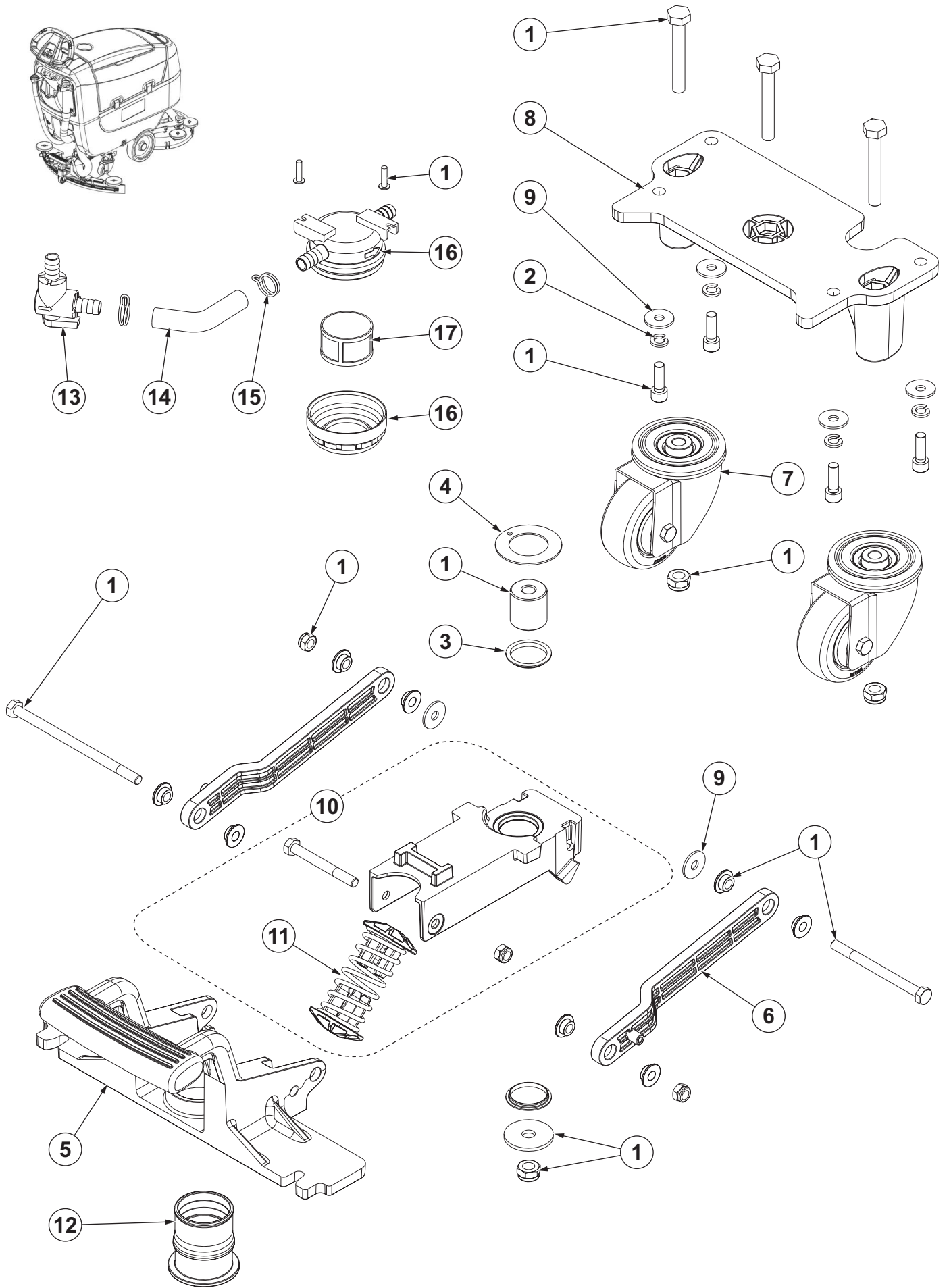
HANDLEBAR SYSTEM (NO DRIVE)



HANDLEBAR SYSTEM (NO DRIVE)

KIT	ITEM	REF. NO.	QTY	DESCRIPTION	NOTE
	1	140 9214 040	9	SCREW PT TORX K40X14 FZB	
	2	9100002437	1	SCREW M5X20 TORX ISO7380-2 10 PCS SET	
	3	9100002467	1	COVER PLAST. F HANDLE BAR SIP	
	4	9100002016	2	SENSOR CAPACITIVE SIP	
	5	9100002468	1	HARNESS DASHBOARD SIP	
	6	9100002469	2	HARNESS HANDLE BAR SENSORS SIP	
	7	9100002472	1	CONTROLLER USER INTERFACE 24V SIP	
	8	9100002553	1	COVER CENTRAL HANDLE BAR SIP	
	9	9100002554	1	HANDLE BAR SUPPORT SIP	

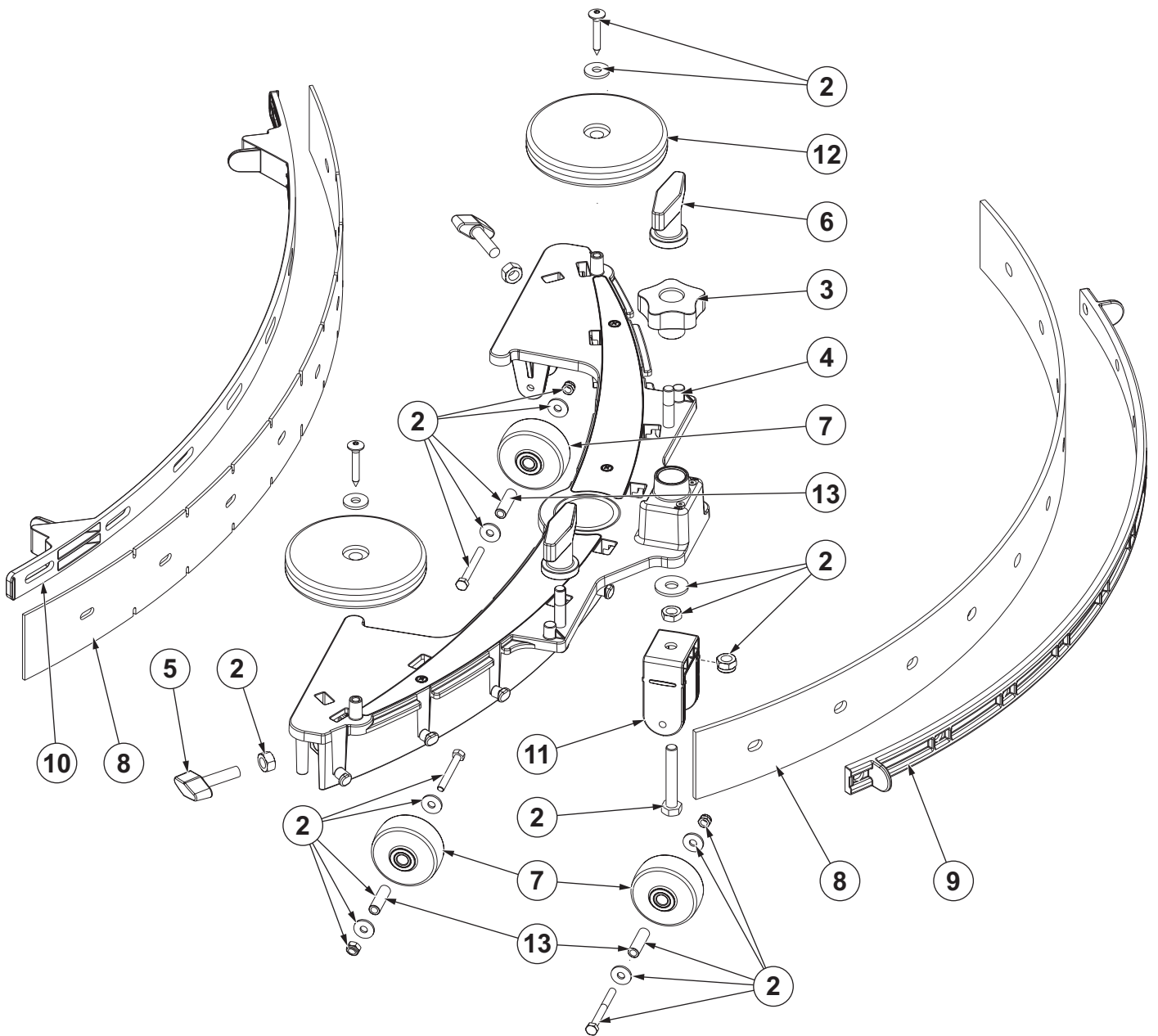
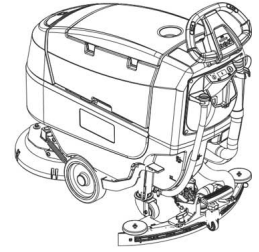
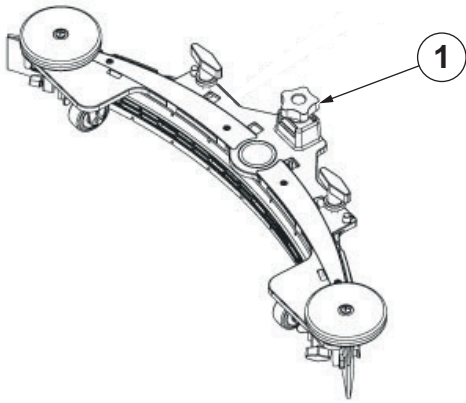
REAR WHEELS SYSTEM



REAR WHEELS SYSTEM

KIT	ITEM	REF. NO.	QTY	DESCRIPTION	NOTE
	1	9100002475	1	HARDWARE REAR WHEELS SYSTEM KIT	
	2	33023223	1	WASHER SPRING LOCK M8 DIN127B 10 PCS SET	
	3	9100000902	1	BEARING FLANGE IGLIDUR 2 PCS SET	
	4	9100000903	1	WASHER THRUST GTM 3254-015 SIP	
	5	9100000853	1	SUPPORT LOWER F SQUEEGEE SIP	
	6	9100000854	1	LEVER SQUEEGEE LIFT 2 PCS SET	
	7	9100000856	1	WHEEL CASTOR D.80X32 GALV. 2 PCS SET	
	8	9100002473	1	SUPPORT ALU F REAR WHEELS-SQUEEGEE SIP	
	9	33023660	2	WASHER PLAIN M8X24X2 ISO7093 5 PCS SET	
	10	9100002400	1	SUPPORT UPPER F SQUEEGEE KIT	
	11	9100002401	1	SPRING WITH TERMINALS KIT	
	12	9100002396	1	SLEEVE RUBBER BLACK F SUCTION HOSE SIP	
	13	9100000803	1	VALVE ELBOW SIP	
	14	9100002474	1	HOSE PVC W/SPIRAL D.12X18 L.100MM SIP	
	15	9100001159	1	CLAMP DOUBLE WIRE SPRING D.18 10 PCS SET	
	16	9100000860	1	FILTER WATER SIP	
	17	9100000861	1	NET WATER FILTER REINFORCED SIP	

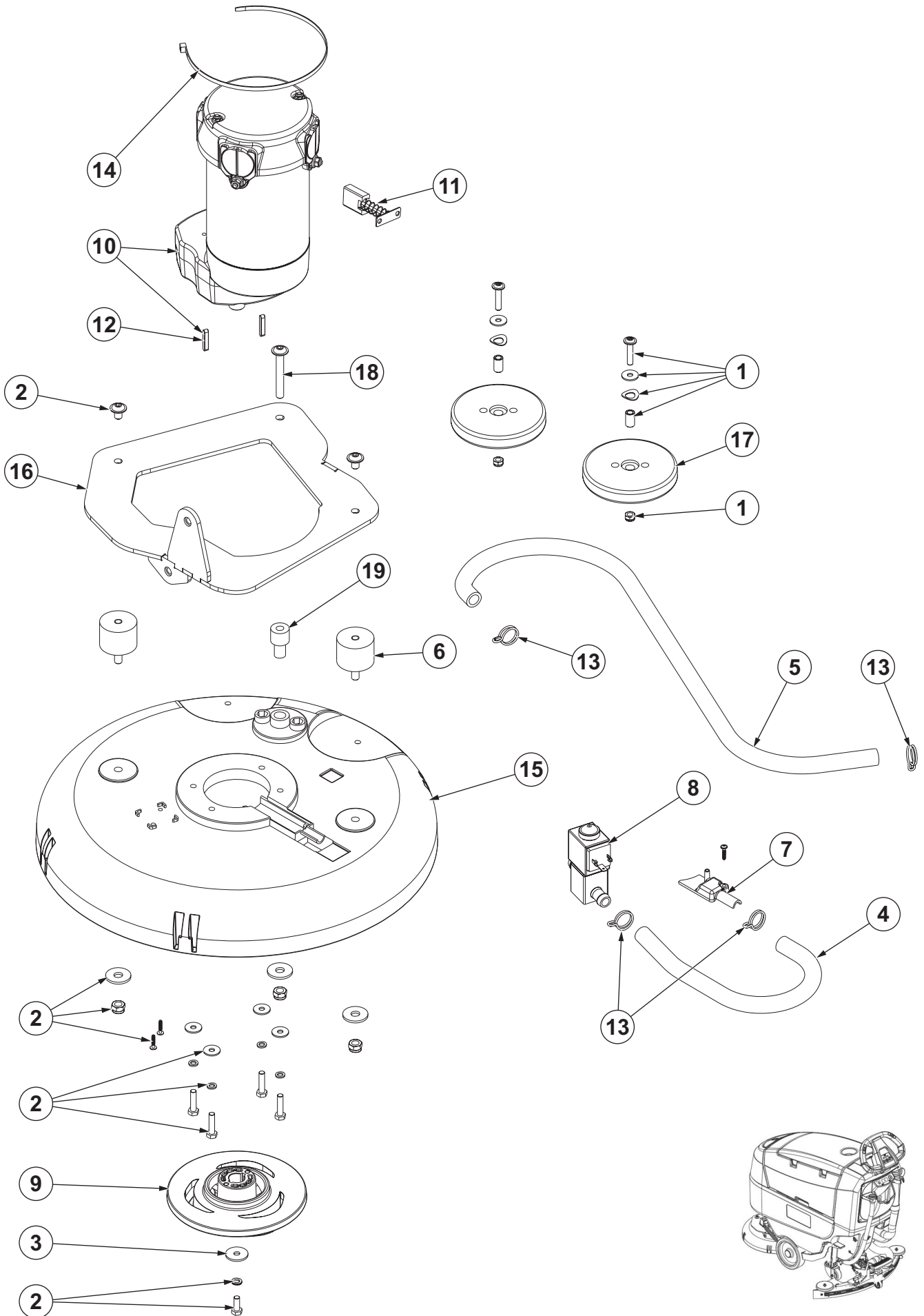
SQUEEGEE SYSTEM



SQUEEGEE SYSTEM

KIT	ITEM	REF. NO.	QTY	DESCRIPTION	NOTE
	1	9100002570	1	SQUEEGEE 730MM/29 KIT	
	2	9100000748	1	HARDWARE SQUEEGEE KIT	
	3	9100000862	1	KNOB LOBES M8 FEMALE SIP	
	4	9100000747	1	SQUEEGEE 730MM/29 PRE-ASSEMBLED SIP	
	5	9100000791	2	KNOB M8X30 THD STUD SS SIP	
	6	9097637000	1	SQUEEGEE FIXING KIT	
	7	9100000559	3	WHEEL D.51 GREY SIP	
	8*	9100002541	1	BLADE SQUEEGEE 730MM 29 GUM KIT	
	8*	9100002542	1	BLADE SQUEEGEE 730MM 29 PU KIT	
	8*	9100002543	1	BLADE SQUEEGEE 730MM 29 RED GUM KIT	
	9	9100000864	1	STRAP ELASTIC F REAR SQUEEGEE BL. SIP	
	10	9100000865	1	STRAP FRONT SQUEEGEE BLADE SIP	
	11	9100000866	1	SUPPORT SQUEEGEE WHEEL SIP	
	12	9100001816	1	WHEEL BUMPER D.100 PLASTIC 2 PCS SET	
	13	9100002408	1	SPACER 5.1X8X28.5 PLASTIC 3 PCS SET	

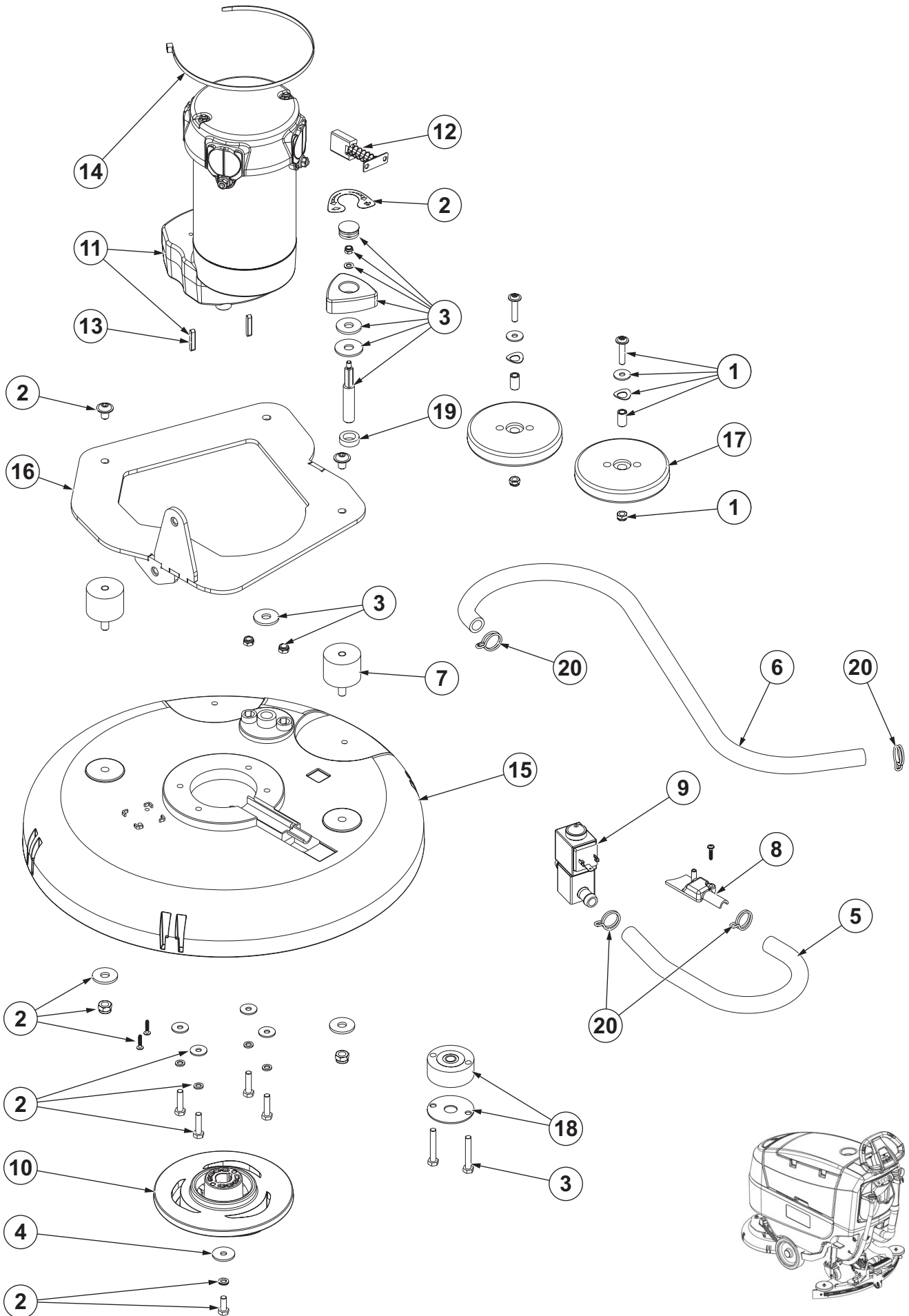
BRUSH DECK (DRIVE)



BRUSH DECK (DRIVE)

KIT	ITEM	REF. NO.	QTY	DESCRIPTION	NOTE
	1	9100002481	1	HARDWARE BUMPERS KIT	
	2	9100002482	1	HARDWARE BRUSH DECK KIT	
	3	9100001272	1	WASHER PLAIN M6X24 SS ISO7093 10 PCS SET	
	4	9100002479	1	HOSE PVC W/SPIRAL D.12X18 L.330MM SIP	
	5	9100002480	1	HOSE PVC W/SPIRAL D.12X18 L.800MM SIP	
	6	9100000868	1	VIBRATION DAMPING M8 60SH 2 PCS SET	
	7	9100000869	1	COVER SOLUTION HOSE SUPPORT SIP	
	8	9100000870	1	SOLENOID VALVE 24V SIP	
	9	9100000871	1	HUB BRUSH SIP	
	10	9100000874	1	REDUCTION GEAR MOTOR 450W 24V SIP	
	11	9098376000	1	CARBON BRUSH KIT 4 PCS	
	12	9100000875	1	KEY 5X5X30 DIN6885 2 PCS SET	
	13	9100001159	1	CLAMP DOUBLE WIRE SPRING D.18 10 PCS SET	
	14	9100002449	1	TIE CABLE 4.8X500 BLACK 2 PCS SET	
	15	9100002477	1	DECK BRUSH 430MM/17 PLAST. SIP	
	16	9100002478	1	PLATE BRUSH DECK HOLDER GALV. SIP	
	17	9100001816	1	WHEEL BUMPER D.100 PLASTIC 2 PCS SET	
	18	9100002460	1	SCREW M8X60 BUTTON HD HEX FLA ISO7380	
	19	9100002476	1	SPACER D.8.25X12X20 H.35 GALV. SIP	

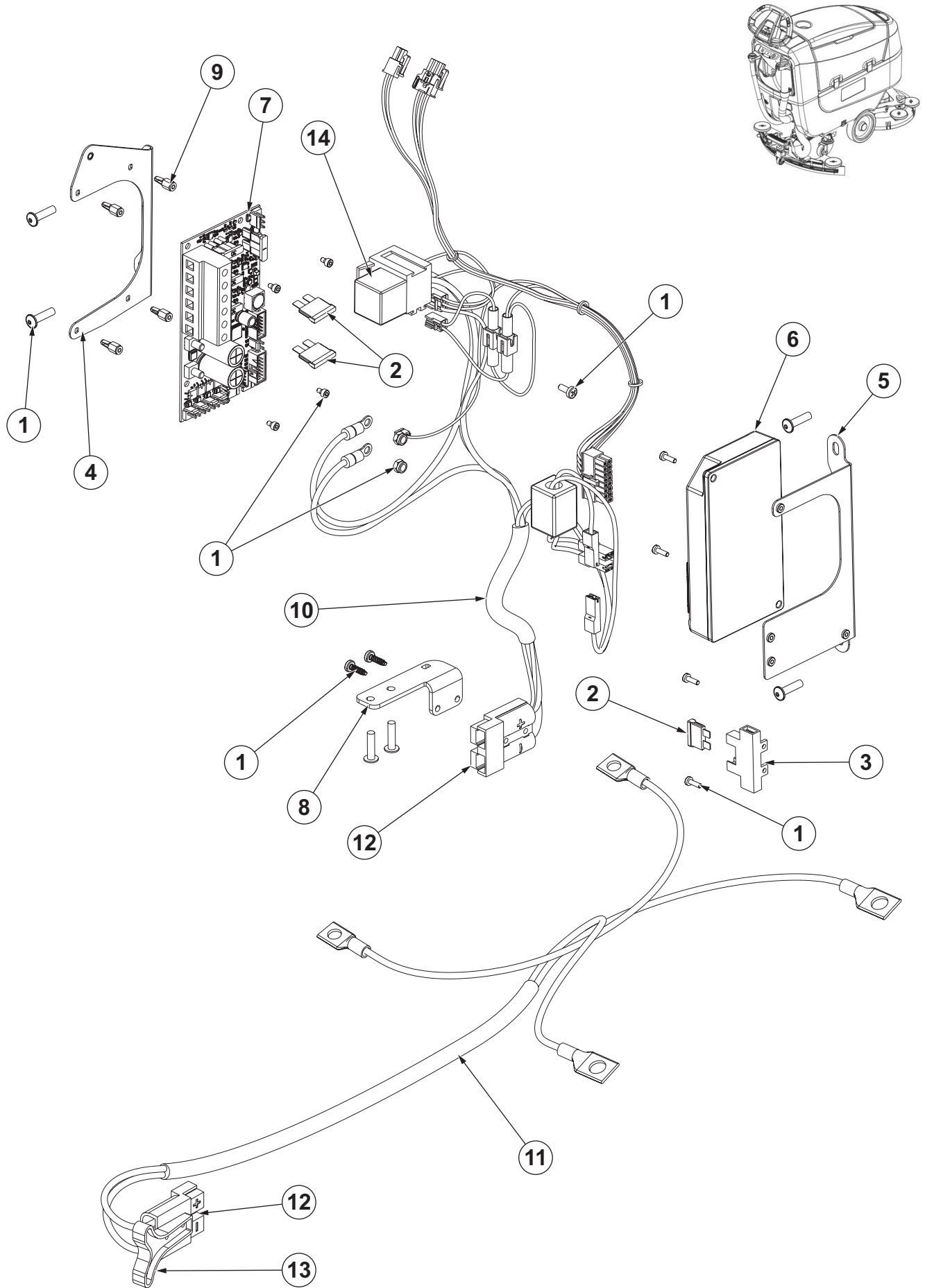
BRUSH DECK (NO DRIVE)



BRUSH DECK (NO DRIVE)

KIT	ITEM	REF. NO.	QTY	DESCRIPTION	NOTE
	1	9100002481	1	HARDWARE BUMPERS KIT	
	2	9100002482	1	HARDWARE BRUSH DECK KIT	
	3	9100002483	1	KNOB BRUSH SPEED ADJUSTM. KIT	
	4	9100001272	1	WASHER PLAIN M6X24 SS ISO7093 10 PCS SET	
	5	9100002479	1	HOSE PVC W/SPIRAL D.12X18 L.330MM SIP	
	6	9100002480	1	HOSE PVC W/SPIRAL D.12X18 L.800MM SIP	
	7	9100000868	1	VIBRATION DAMPING M8 60SH 2 PCS SET	
	8	9100000869	1	COVER SOLUTION HOSE SUPPORT SIP	
	9	9100000870	1	SOLENOID VALVE 24V SIP	
	10	9100000871	1	HUB BRUSH SIP	
	11	9100000874	1	REDUCTION GEARMOTOR 450W 24V SIP	
	12	9098376000	1	CARBON BRUSH KIT 4 PCS	
	13	9100000875	1	KEY 5X5X30 DIN6885 2 PCS SET	
	14	9100002449	1	TIE CABLE 4.8X500 BLACK 2 PCS SET	
	15	9100002477	1	DECK BRUSH 430MM/17 PLAST. SIP	
	16	9100002478	1	PLATE BRUSH DECK HOLDER GALV. SIP	
	17	9100001816	1	WHEEL BUMPER D.100 PLASTIC 2 PCS SET	
	18	L08812780	1	PLATE FIXING BRUSH KIT	
	19	9100002484	1	SPACER D.12.5X20 H.6 PLAST. SIP	
	20	9100001159	1	CLAMP DOUBLE WIRE SPRING D.18 10 PCS SET	

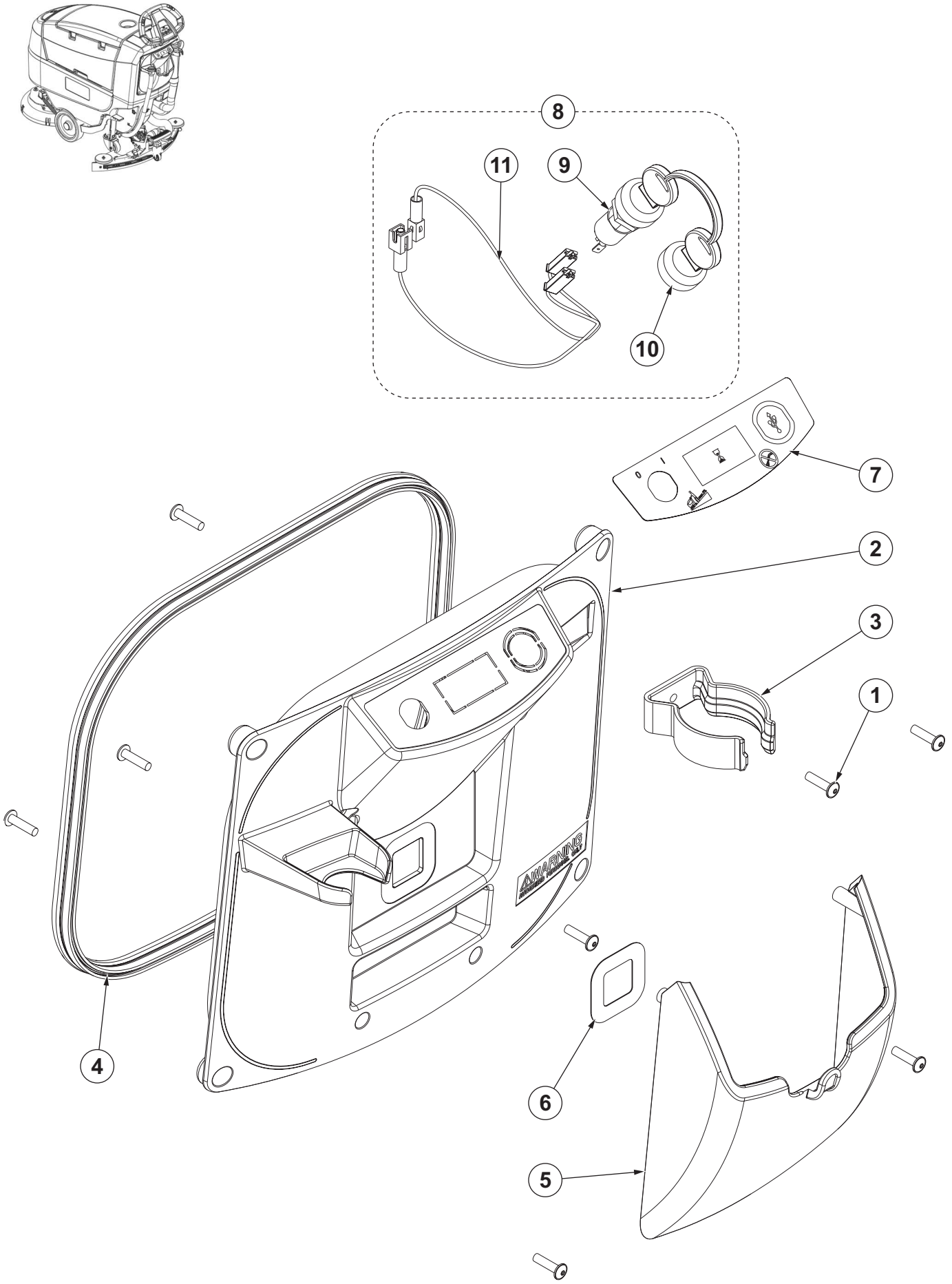
ELECTRICAL COMPONENTS SYSTEM



ELECTRICAL COMPONENTS SYSTEM

KIT	ITEM	REF. NO.	QTY	DESCRIPTION	NOTE
	1	9100002492	1	HARDWARE ELECTRICAL SYST. KIT	
	2	145 8513 000	3	FUSE BLADE 30A UL	
	3	1467035000	1	HOLDER FUSE THERMOPL.UL 94-V0 SIP	ONLY FOR DRIVE
	4	9100002485	1	SUPPORT GALV. F CONTR. MAIN MACH. BA SIP	
	5	9100002486	1	SUPPORT GALV. F CONTR. DRIVE WHEEL SIP	ONLY FOR DRIVE
	6	9100002493	1	CONTROLLER DRIVE WHEEL SIP	ONLY FOR DRIVE
	7	9100002494	1	CONTROLLER MAIN MACHINE BAT SIP	
	8	9100002487	1	SUPPORT GALV. F BATTERY CONNECTOR SIP	
	9	9100002488	1	SUPPORT THD PLAST F CONTROLLER 4 PCS SET	
	10	9100002489	1	HARNESS ELECT.COMP.BOX BA DRIVE SIP	
	11	9100002491	1	HARNESS BATTERY US SIP	
	12	9100002248	2	CONNECTOR RED 50A SIP	
	13	9100000885	1	HANDLE FOR BATTERY CONNECTOR SIP	
	14	145 3712 000	1	RELAY	

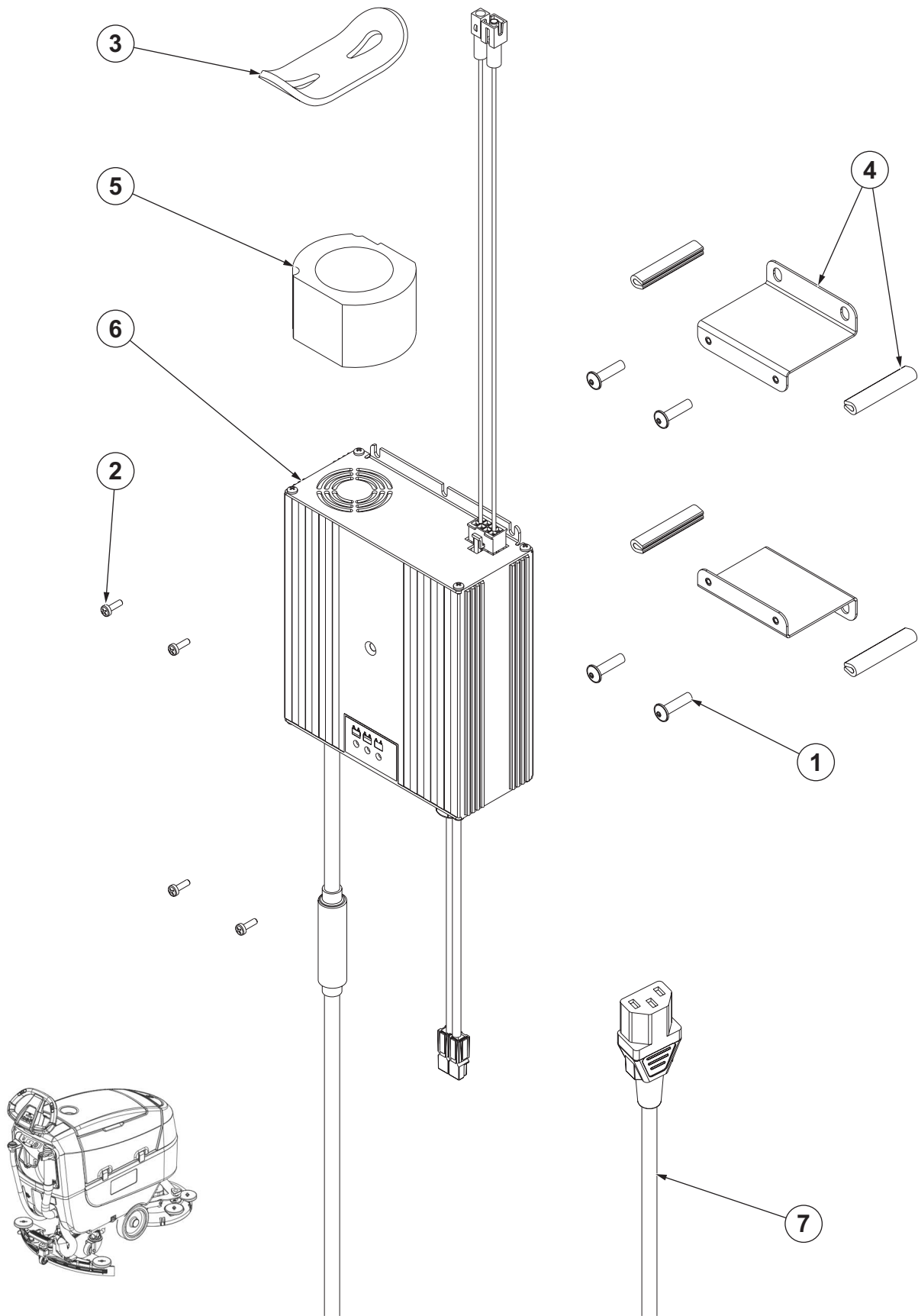
COVER ELECTRONIC SYSTEM



COVER ELECTRONIC SYSTEM

KIT	ITEM	REF. NO.	QTY	DESCRIPTION	NOTE
	1	9100002437	1	SCREW M5X20 TORX ISO7380-2 10 PCS SET	
	2	9100002495	1	COVER PLAST. ELECT. COMP. BOX DRIVE SIP	
	3	909 6380 000	1	CLAMP KIT	
	4	9100002496	1	GASKET BULB REINFORCED L.1048MM SIP	
	5	9100002497	1	POCKET PLAST. F ELECTR. BOX COVER SIP	
	6	9100002498	1	DECAL TRANSP.BOX F EL.COVER INSPECT. SIP	
	7	9100002499	1	DECAL ELECTRIC BOX COVER BA SIP	ONLY FOR NO DRIVE
	7	9100002500	1	DECAL ELECTRIC BOX COVER BA DRIVE SIP	ONLY FOR DRIVE
	8*	9100002532	1	KEY KIT	(910002549) INSTALLATION INSTRUCTIONS
	9	9100001354	1	SWITCH IGNITION STARTER WITH CAP SIP	
	10	146 2887 000	1	KEY 2 PCS	
	11	9100002501	1	HARNESS SWITCH STARTER SIP	

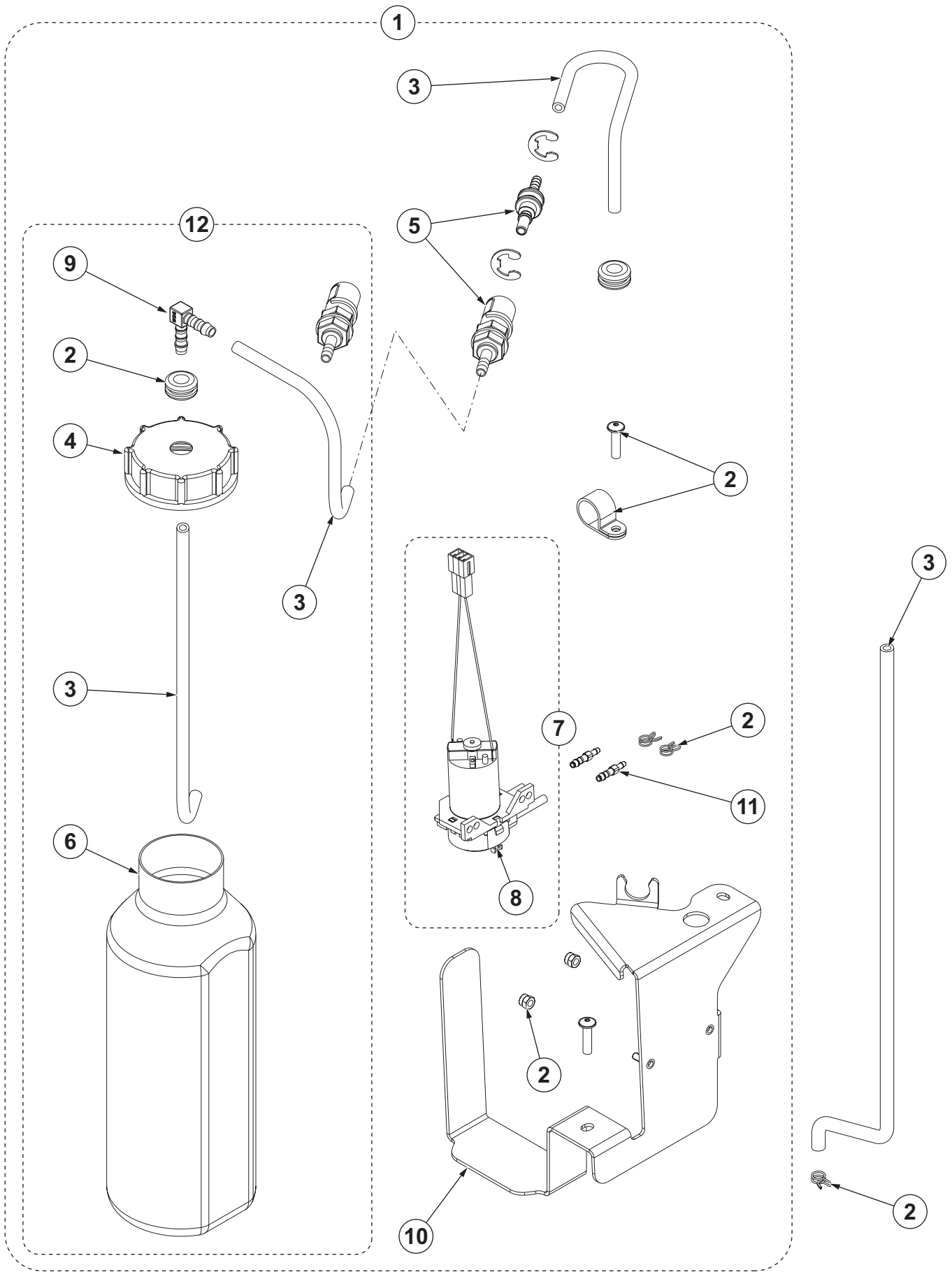
BATTERY CHARGER



BATTERY CHARGER

KIT	ITEM	REF. NO.	QTY	DESCRIPTION	NOTE
	1	9100002437	1	SCREW M5X20 TORX ISO7380-2 10 PCS SET	
	2	9100002502	1	SCREW M3X10 PAN HD ISO7045 10 PCS SET	
	3	9100000829	1	BAND ELASTIC F EXTENSION CABLE SIP	
	4	9100002503	1	SUPPORTS F BATTERY CHARG. KIT	
	5	9100002504	1	SLEEVE RUBBER BLACK F BATT. CHARGER SIP	
	6	9100002506	1	CHARGER BATT.O/B 24V 10A 100-240V US SIP	
	7	9100000890	1	CABLE EXTENSION US PLUG L.2000MM SIP	

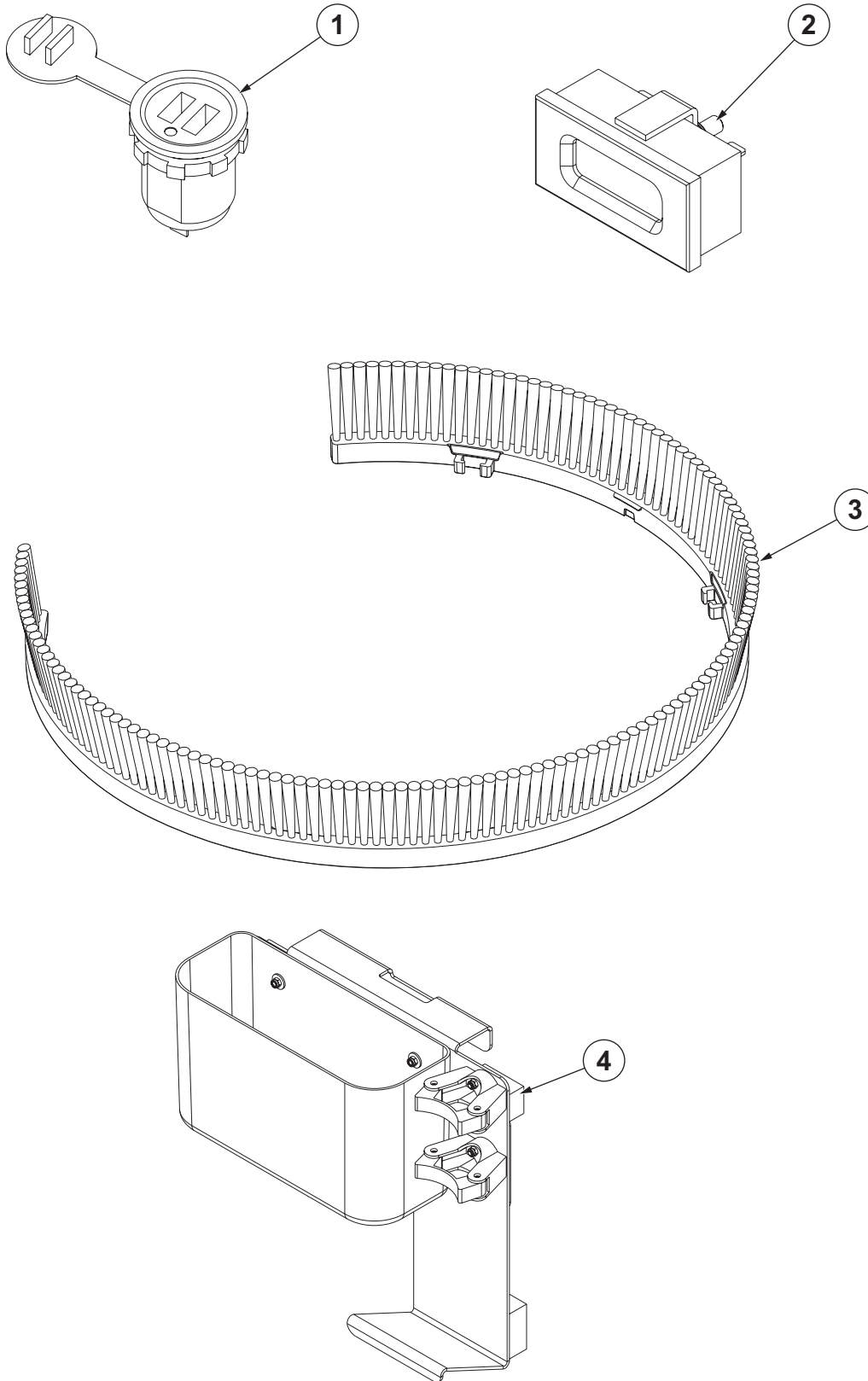
DETERGENT SYSTEM



DETERGENT SYSTEM

KIT	ITEM	REF. NO.	QTY	DESCRIPTION	NOTE
	1*	9100002531	1	DETERGENT MIX SYSTEM KIT	(9100002550) INSTALLATION INSTRUCTIONS
	2	9100002510	1	HARDWARE DETERGENT SYSTEM KIT	
	3	9100002534	1	HOSE SILICONE 4X7 KIT	
	4	301001004	1	CLOSING CAP WITH Ø13 HOLE	
	5	9100002508	1	HOLDERS RUBBER KIT	
	6	31000912	1	BOTTLE	
	7	9100002398	1	PUMP DETERG. MIX PERISTALTIC 24V SIP	
	8	9100002388	1	HEAD PERISTALTIC PUMP DETERG. SIP	
	9	L08603189	1	HOSE 90° D.6	
	10	9100002509	1	SUPPORT GALV. F PERISTALTIC PUMP SIP	
	11	9100002402	1	BARB HOSE STRAIGHT D.5-D.4 PLAST. 2 PCS SET	
	12	9100002575	1	BOTTLE DETERGENT 1L KIT	

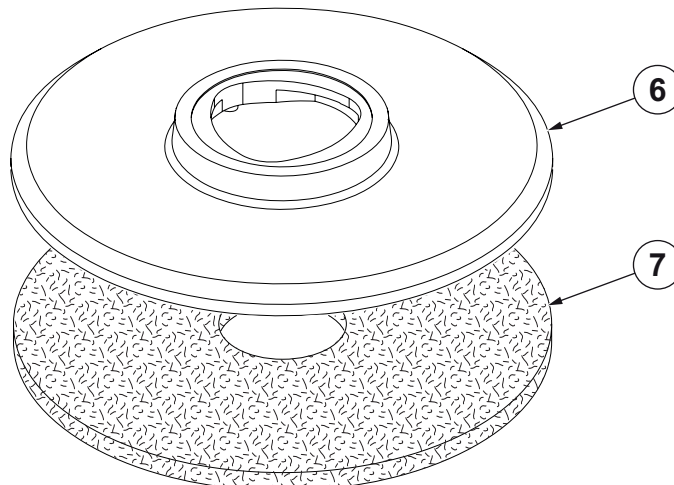
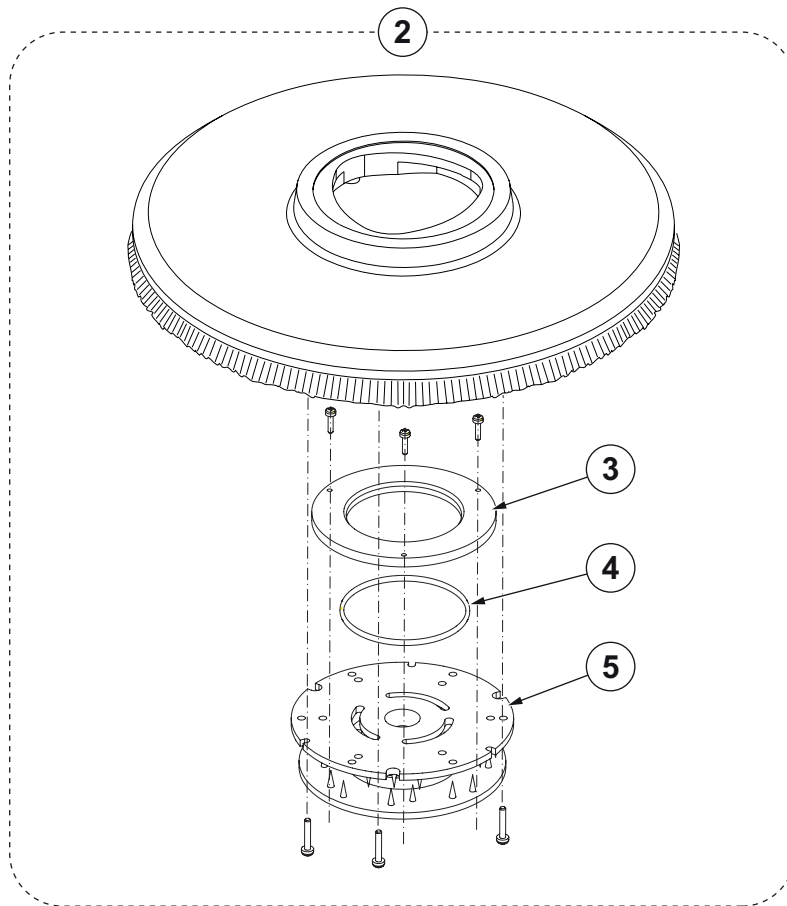
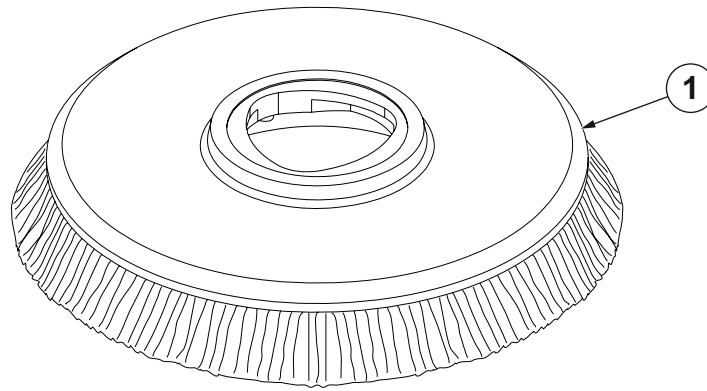
ACCESSORIES - OPTIONALS



ACCESSORIES - OPTIONALS

KIT	ITEM	REF. NO.	QTY	DESCRIPTION	NOTE
	1*	9100002258	1	USB PORT KIT	(9100002548) INSTALLATION INSTRUCTIONS
	2*	9100002257	1	COUNTER HOUR 24V KIT	(9100002547) INSTALLATION INSTRUCTIONS
	3*	9100001927	1	SPLASH GUARD W/BRISTLES F DECK 17 432MM	
	4*	9100002280	1	MOP AND TRASH KIT	

BRUSHES



BRUSHES

KIT	ITEM	REF. NO.	QTY	DESCRIPTION	NOTE
	1*	L08812891	1	BRUSH DISC 430MM 17 PROLENE BLUE	
	1*	909 5691 000	1	BRUSH DISC 430MM 17 MIDLITE GRIT 180	
	1*	909 5692 000	1	BRUSH DISC 430MM 17 MID GRIT 240	
	1*	909 5693 000	1	BRUSH DISC 430MM 17 PROLITE	
	1*	909 5694 000	1	BRUSH DISC 430MM 17 UNION MIX	
	2*	9100001897	1	PAD HOLDER BRISTLE 17 430MM	
	3	L08603966	1	RING NYLON	
	4	L08603965	1	O-RING 2.62X82.22 -3325-NBR 40SH	
	5	56505195	1	PAD RETAINER	
	6*	9100002050	1	PAD HOLDER FLAT 17 432MM	
	7*	10001936	1	PAD 17 432MM ECO WHITE 5PCS	
	7*	10001937	1	PAD 17 432MM ECO TAN 5PCS	
	7*	10001938	1	PAD 17 432MM ECO BLACK 5PCS	
	7*	10001939	1	PAD 17 432MM ECO BLUE 5PCS	
	7*	10001940	1	PAD 17 432MM ECO GREEN 5PCS	
	7*	10001941	1	PAD 17 432MM ECO RED 5PCS	
	7*	10002336	1	PAD 17 432MM ECO BRILLIANCE RED 2PCS	
	7*	10002337	1	PAD 17 430MM ECO BRILLIANCE BLUE 2PCS	
	7*	10002338	1	PAD 17 430MM ECO BRILLIANCE YELLOW 2PCS	
	7*	10002339	1	PAD 17 430MM ECO BRILLIANCE GREEN 2PCS	

WIRING DIAGRAM

KEY	REF. NO.	DESCRIPTION	NOTE
BAT	-		
C1	9100002248	CONNECTOR RED 50A SIP	
C2	-		
CH	9100002506	CHARGER BATT.O/B 24V 10A 100-240V US SIP	
EB1	9100002494	CONTROLLER MAIN MACHINE BAT SIP	
EB2	9100002472	CONTROLLER USER INTERFACE 24V SIP	
EB3	9100002493	CONTROLLER DRIVE WHEEL SIP	
ES1	145 3712 000	RELAY	
EV1	9100000870	SOLENOID VALVE 24V SIP	
F1	145 8513 000	FUSE BLADE 30A UL	
F2	145 8513 000	FUSE BLADE 30A UL	
F3	145 8513 000	FUSE BLADE 30A UL	
F4	-		
HM	9100002257	COUNTER HOUR 24V KIT	
KEY	9100001354	SWITCH IGNITION STARTER WITH CAP SIP	
M1	9100000874	REDUCTION GEARMOTOR 450W 24V SIP	
M2	9100000823	MOTOR VACUUM 24V 280W SIP	
M3	9100002398	PUMP DETERG. MIX PERISTALTIC 24V SIP	
M4	9100002540	MOTOR DRIVE 160W 24V SIP	
RV1	9097043000	POTENTIOMETER	
S1,S2	9100002016	SENSOR CAPACITIVE SIP	
SK	-		
SW1	9100002470	SWITCH W/CONNECTOR F REVERSE SIP	
TU	-		
USB	9100002258	USB PORT KIT	

KEY	COLOUR
BK	BLACK
BU	LIGHT BLUE
BN	BROWN
GN	GREEN
GY	GREY
OG	ORANGE

KEY	COLOUR
PK	PINK
RD	RED
VT	VIOLET
WH	WHITE
YE	YELLOW

RECOMMENDED PARTS

REF. NO.	QTY	DESCRIPTION	NOTE
NORMAL WEAR			
910000920	1	CARBON BRUSHES W/HOLDER KIT	
9100002541	1	BLADE SQUEEGEE 730MM 29 GUM KIT	
9100002542	1	BLADE SQUEEGEE 730MM 29 PU KIT	
9100002543	1	BLADE SQUEEGEE 730MM 29 RED GUM KIT	
9098376000	1	CARBON BRUSH KIT 4 PCS	
9098376000	1	CARBON BRUSH KIT 4 PCS	
ORDINARY MAINTENANCE			
910000703	1	HOSE FILLING SIP	
9100002431	1	HOSE FRESH WATER LEV. W/CAP KIT	
9100002443	1	HOSE DRAIN BLACK L.530MM SIP	
9100002444	1	HOSE SUCTION SQUEE. 90 BLACK L.970MM SIP	
9100002447	1	GASKETS VAC. MOTOR KIT	
910000823	1	MOTOR VACUUM 24V 280W SIP	
9100002540	1	MOTOR DRIVE 160W 24V SIP	
9100002455	2	WHEEL TRACTION D.200X50 BLACK/GREY SIP	
9100002462	2	WHEEL D.200X50 TPE BLACK/GREY SIP	
9100002546	1	WHEEL D.200X50 TPU BLACK/GREY 2 PCS SET	
910000856	1	WHEEL CASTOR D.80X32 GALV. 2 PCS SET	
9100002396	1	SLEEVE RUBBER BLACK F SUCTION HOSE SIP	
910000861	1	NET WATER FILTER REINFORCED SIP	
9100002570	1	SQUEEGEE 730MM/29 KIT	
910000862	1	KNOB LOBES M8 FEMALE SIP	
910000747	1	SQUEEGEE 730MM/29 PRE-ASSEMBLED SIP	
910000559	3	WHEEL D.51 GREY SIP	
910000864	1	STRAP ELASTIC F REAR SQUEEGEE BL. SIP	
910000865	1	STRAP FRONT SQUEEGEE BLADE SIP	
9100001816	1	WHEEL BUMPER D.100 PLASTIC 2 PCS SET	
910000870	1	SOLENOID VALVE 24V SIP	
910000871	1	HUB BRUSH SIP	
910000874	1	REDUCTION GEARMOTOR 450W 24V SIP	
9100001816	1	WHEEL BUMPER D.100 PLASTIC 2 PCS SET	
910000870	1	SOLENOID VALVE 24V SIP	
910000871	1	HUB BRUSH SIP	
910000874	1	REDUCTION GEARMOTOR 450W 24V SIP	
9100001816	1	WHEEL BUMPER D.100 PLASTIC 2 PCS SET	
145 8513 000	3	FUSE BLADE 30A UL	
9100002534	1	HOSE SILICONE 4X7 KIT	
9100002388	1	HEAD PERISTALTIC PUMP DETERG. SIP	
EXTRA ORDINARY MAINTENANCE			
9100002480	1	HOSE PVC W/SPIRAL D.12X18 L.800MM SIP	
9100002478	1	PLATE BRUSH DECK HOLDER GALV. SIP	
9100002483	1	KNOB BRUSH SPEED ADJUSTM. KIT	
9100002479	1	HOSE PVC W/SPIRAL D.12X18 L.330MM SIP	
9100002480	1	HOSE PVC W/SPIRAL D.12X18 L.800MM SIP	
9100002477	1	DECK BRUSH 430MM/17 PLAST. SIP	
1467035000	1	HOLDER FUSE THERMOPL.UL 94-V0 SIP	ONLY FOR DRIVE
9100002493	1	CONTROLLER DRIVE WHEEL SIP	ONLY FOR DRIVE
9100002494	1	CONTROLLER MAIN MACHINE BAT SIP	
9100002489	1	HARNESS ELECT.COMP.BOX BA DRIVE SIP	
9100002490	1	HARNESS BATTERY EU SIP	
9100002248	2	CONNECTOR RED 50A SIP	
145 3712 000	1	RELAY	
9100002496	1	GASKET BULB REINFORCED L.1048MM SIP	
9100002532	1	KEY KIT	
9100001354	1	SWITCH IGNITION STARTER WITH CAP SIP	
146 2887 000	1	KEY 2 PCS	
9100002501	1	HARNESS SWITCH STARTER SIP	
9100002504	1	SLEEVE RUBBER BLACK F BATT. CHARGER SIP	
910000829	1	BAND ELASTIC F EXTENSION CABLE SIP	
9100002504	1	SLEEVE RUBBER BLACK F BATT. CHARGER SIP	

RECOMMENDED PARTS

REF. NO.	QTY	DESCRIPTION	NOTE
9100002506	1	CHARGER BATT.O/B 24V 10A 100-240V US SIP	
9100000890	1	CABLE EXTENSION US PLUG L.2000MM SIP	
301001004	1	CLOSING CAP WITH Ø13 HOLE	
9100002508	1	HOLDERS RUBBER KIT	
31000912	1	BOTTLE	
9100002398	1	PUMP DETERG. MIX PERISTALTIC 24V SIP	

ACCESSORIES/OPTIONALS

REF. NO.	QTY	DESCRIPTION	NOTE
9100002572	1	HOSE QUICK CONNECTION	
909 5065 000	1	FILTER ANTIFOAMING	
9100002546	1	WHEEL D.200X50 TPU BLACK/GREY 2 PCS SET	
9100002541	1	BLADE SQUEEGEE 730MM 29 GUM KIT	
9100002542	1	BLADE SQUEEGEE 730MM 29 PU KIT	
9100002543	1	BLADE SQUEEGEE 730MM 29 RED GUM KIT	
9100002532	1	KEY KIT	(9100002549) INSTALLATION INSTRUCTIONS
9100002531	1	DETERGENT MIX SYSTEM KIT	(9100002550) INSTALLATION INSTRUCTIONS
9100002258	1	USB PORT KIT	(9100002548) INSTALLATION INSTRUCTIONS
9100002257	1	COUNTER HOUR 24V KIT	(9100002547) INSTALLATION INSTRUCTIONS
9100001927	1	SPLASH GUARD W/BRISTLES F DECK 17 432MM	
9100002280	1	MOP AND TRASH KIT	
L08812891	1	BRUSH DISC 430MM 17 PROLENE BLUE	
909 5691 000	1	BRUSH DISC 430MM 17 MIDLITE GRIT 180	
909 5692 000	1	BRUSH DISC 430MM 17 MID GRIT 240	
909 5693 000	1	BRUSH DISC 430MM 17 PROLITE	
909 5694 000	1	BRUSH DISC 430MM 17 UNION MIX	
9100001897	1	PAD HOLDER BRISTLE 17 430MM	
9100002050	1	PAD HOLDER FLAT 17 432MM	
10001936	1	PAD 17 432MM ECO WHITE 5PCS	
10001937	1	PAD 17 432MM ECO TAN 5PCS	
10001938	1	PAD 17 432MM ECO BLACK 5PCS	
10001939	1	PAD 17 432MM ECO BLUE 5PCS	
10001940	1	PAD 17 432MM ECO GREEN 5PCS	
10001941	1	PAD 17 432MM ECO RED 5PCS	
10002336	1	PAD 17 432MM ECO BRILLIANCE RED 2PCS	
10002337	1	PAD 17 430MM ECO BRILLIANCE BLUE 2PCS	
10002338	1	PAD 17 430MM ECO BRILLIANCE YELLOW 2PCS	
10002339	1	PAD 17 430MM ECO BRILLIANCE GREEN 2PCS	

9435 Winnetka Avenue North
Brooklyn Park, MN 55445
www.advance-us.com
Phone: 800-989-2235
Fax: 800-989-6566
©2017 Nilfisk, Inc.

