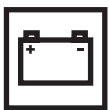
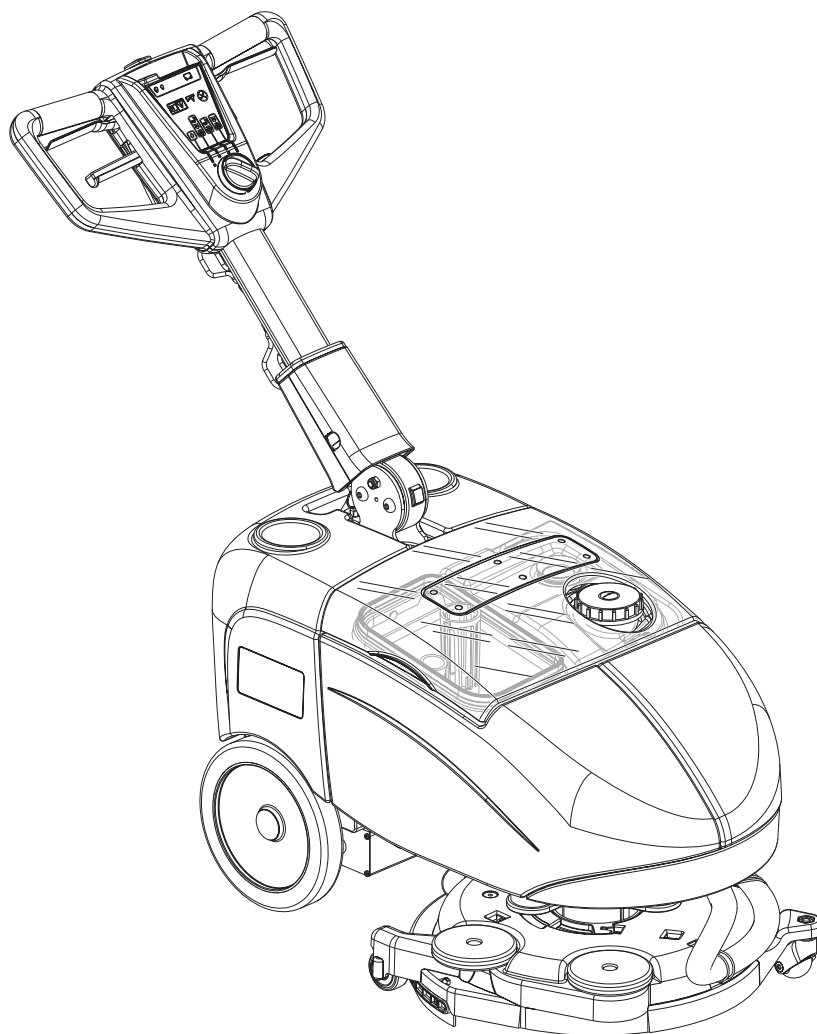


# SC351

## Parts list

03/2013 Revised 04/2017  
(B)  
FORM NO. 9099868000



Model No.:  
9087342020



**TABLE OF CONTENTS**

FRAME SYSTEM .....	6
HANDLE SUPPORT SYSTEM .....	8
HANDLE SYSTEM .....	10
MOTOR AND DECK SYSTEM .....	12
BRUSH DECK SYSTEM .....	14
BRUSHES .....	16
WIRING DIAGRAM .....	18
RECOMMENDED SPARE PARTS .....	20
OPTIONALS AND ACCESSORIES .....	21

**WHEN ORDERING PARTS**

- Use the part numbers from the “REF. NO.” columns in this parts list. If the “REF. NO.” column is blank; look under the “KIT” column to identify which kit contains the part in question, then use the kit callout, for example “K1”, to find the “REF. NO.” for that kit.
- Specify the model number and serial number of the machine.
- Use the space below to record the model number and serial number for future reference.

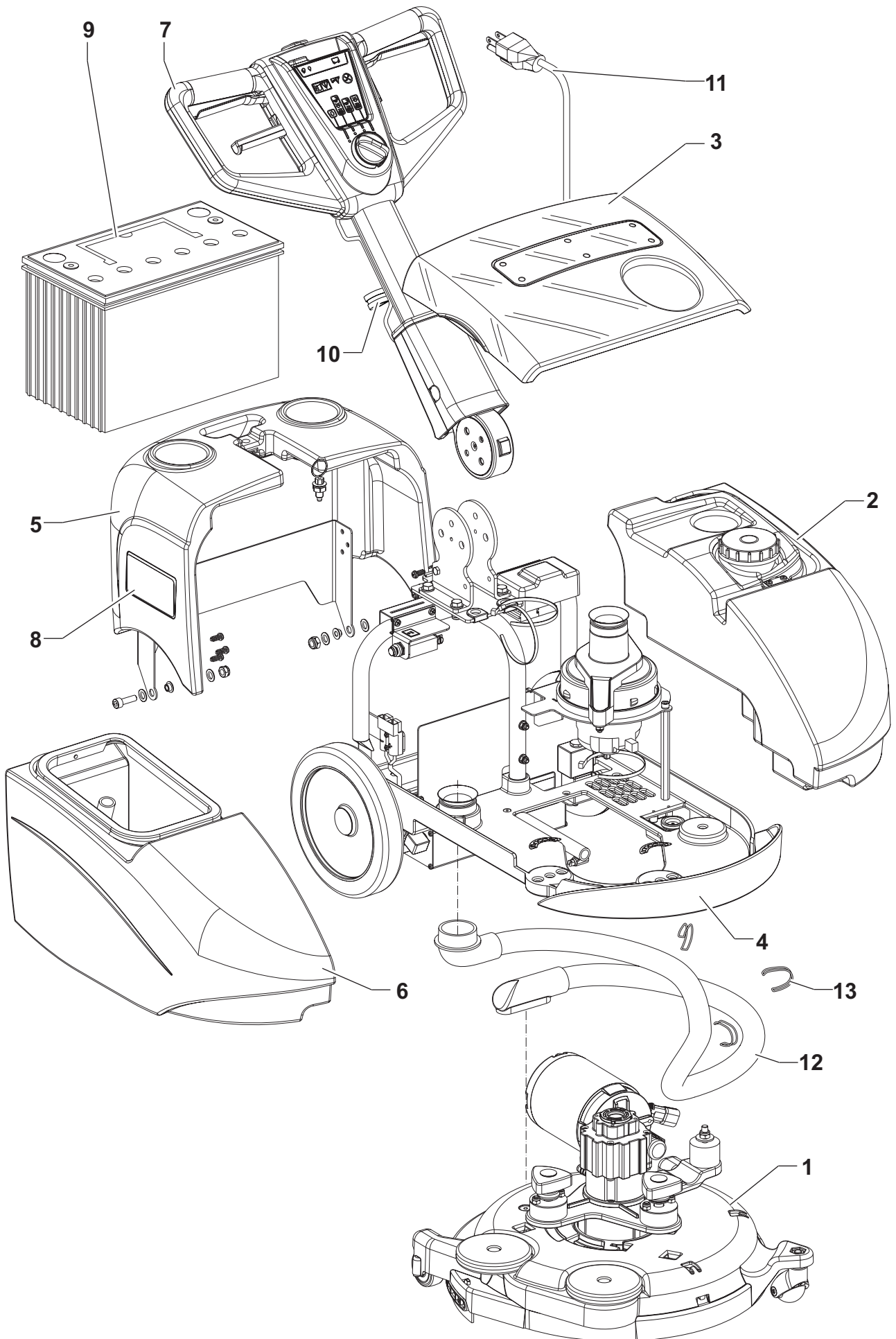
Model No.: ..... Serial No.: .....

\* = Optional

# = Modified item No. or New item No.

[ ] = Not shown

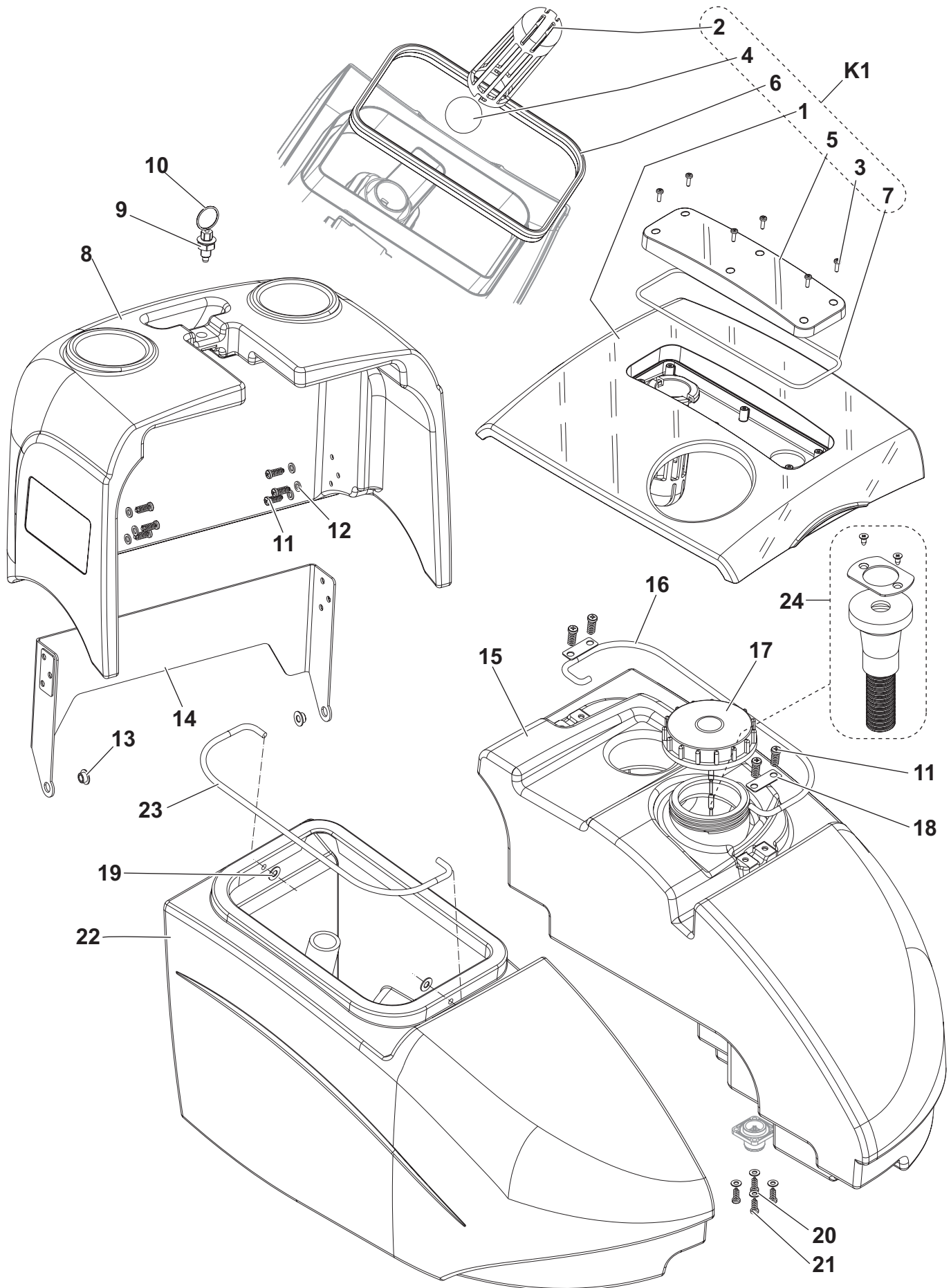
GENERAL VIEW



**GENERAL VIEW**

KIT	ITEM	REF. NO.	QTY	DESCRIPTION	NOTE
	1	-	1	BRUSH DECK	
	2	-	1	SOLUTION TANK	
	3	-	1	COVER TANK	
	4	-	1	FRAME	
	5	-	1	BATTERY COVER	
	6	-	1	RECOVERY TANK	
	7	-	1	HANDLE	
	8	9100000080	1	DECALS ADVANCE SC351 KIT	
	9	1464853000	1	BATTERY 12V 84AhC5 AGM	
	10	9099301000	1	HARDWARE GENERAL VIEW KIT	
	11	9096914000	1	CABLE EXTENSION US	
	12	9099706000	1	VACUUM PIPE D.25	
	13#	9100001733	1	TIE CABLE 2.5X200 BLACK 10 PCS SET	

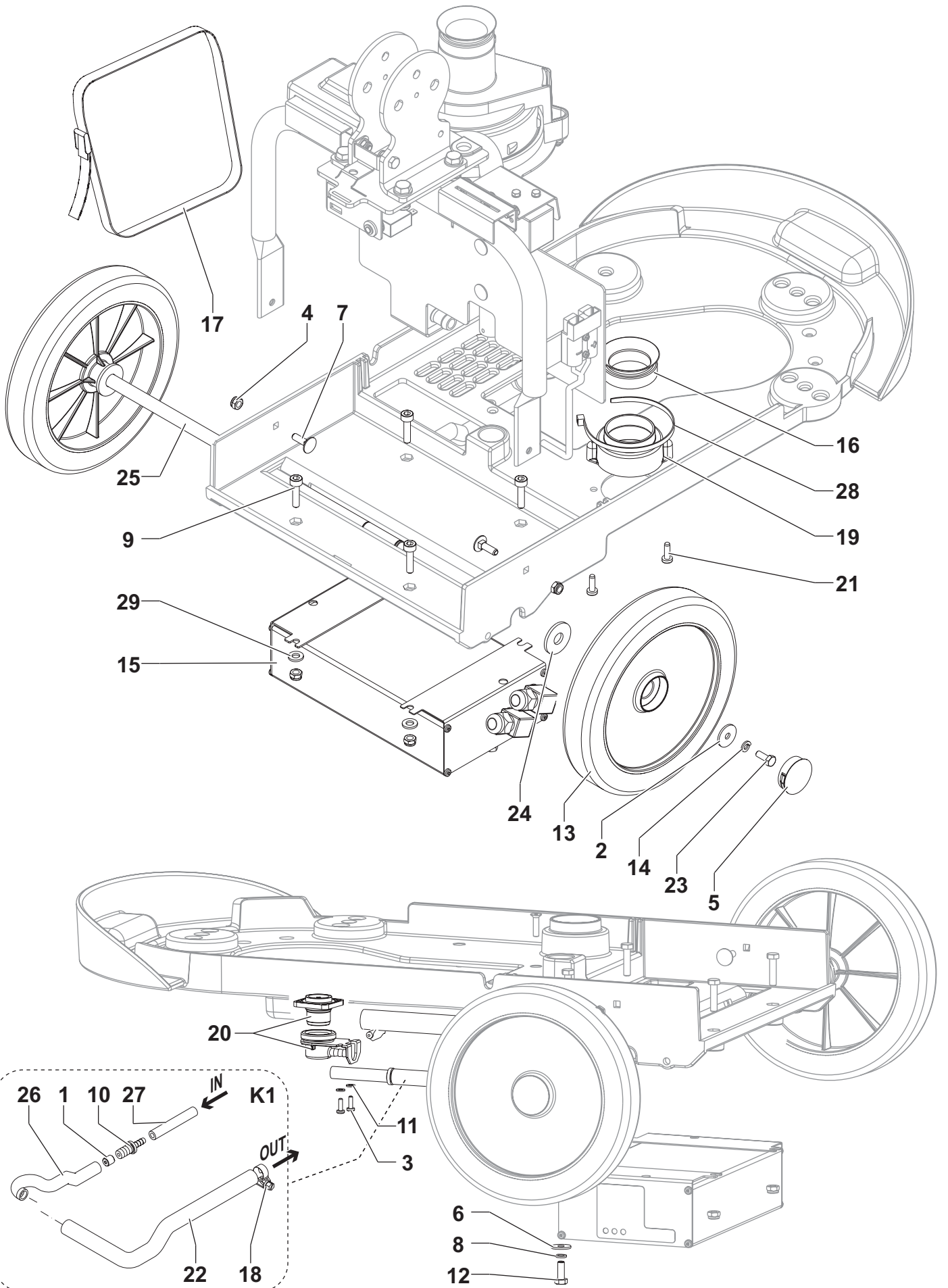
## COVER AND TANKS



**COVER AND TANKS**

KIT	ITEM	REF. NO.	QTY	DESCRIPTION	NOTE
K1	1		1	COVER TANK	
K1	2#	9100001371	1	CAGE FLOAT SIP	
K1-K2	3		6	SCREW 3.5X10 THD FORMING	
K1	4	L08092600	1	BALL FLOATING	
K1	5		1	CAP TANK COVER	
K1	6	9099127000	1	GASKET TANK COVER KIT	
K1	7		1	GASKET MOUSSE D.4MM	
	8	9098318000	1	BATTERY COVER	
	9	145 1147 000	1	WASHER 10,2X18,8X0,35	
	10#	1466331000	1	PLUNGER M10 D.6 W/NUT SIP	
K2	11		10	SCREW CYL HD 5X16 SELF L.	
K2	12		6	WASHER	
K2	13		2	BUSH	
	14	9098309000	1	SUPPORT BATTERY COVER	
	15	9098149000	1	TANK SOLUTION RAL 7001	
	16	9100000104	1	HANDLE DETERGENT TANK	
	17#	9100001202	1	CAP THREADED 70X5 SIP	
	18	9098621000	2	PLATE HANDLE TANK	
	19	9098473000	2	COVER PIN	
K2	20		4	WASHER M4 UNI6592	
K2	21		4	SCREW 3.5X12	
	22	9098148000	1	TANK RECOVERY RAL 7001	
	23	9100000103	1	HANDLE RECOVERY TANK	
	<b>24*</b>	<b>9099011000</b>	<b>1</b>	<b>HOSE FILLING KIT</b>	
K1#	9100002110		1	COVER TANK KIT	
[K2]	9098990000		1	HARDWARE COVER AND TANKS KIT	

FRAME SYSTEM

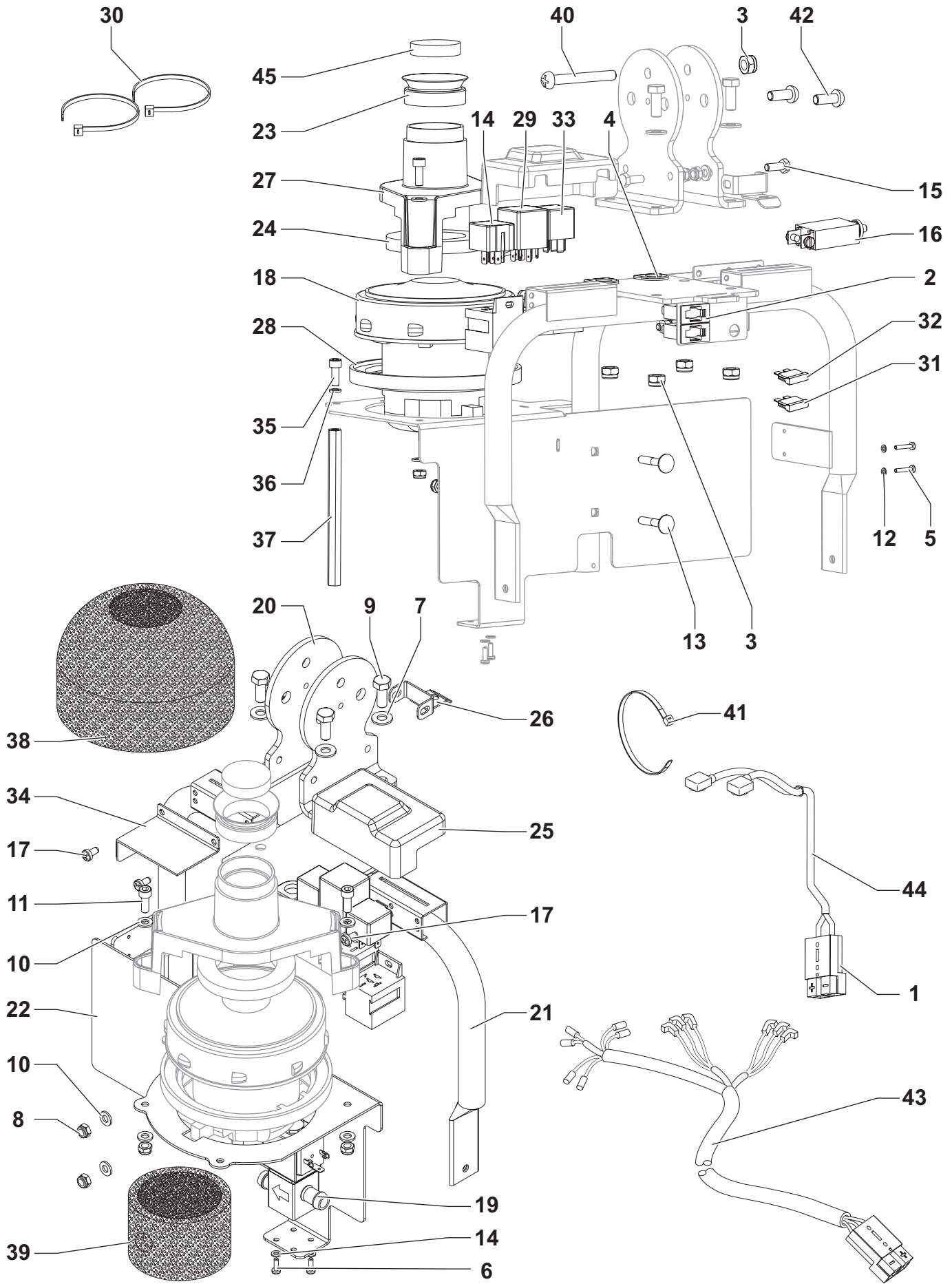




**FRAME SYSTEM**

KIT	ITEM	REF. NO.	QTY	DESCRIPTION	NOTE
K1	1		1	REDUCTION WATER	
K2	2		2	WASHER FLAT XL 6.6X24.0X2.0	
K2	3		2	SCREW, PAN PHIL THD FORM PU 3.9X9.5	
K2	4		3	NUT SELF L. M6 UNI7474 SS	
K2	5		2	PLUG BLACK CLICK d.38.1	
K2	6		2	WASHER 6X18 UNI6592	
K2	7		2	SCREW M6X20 UNI5731	
K2	8		3	WASHER	
K2	9		4	SCREW SOC. HD M5X30	
K1	10		1	FITTING	
K2	11		2	WASHER, EXT. SHPRF Ø 4 SS	
K2	12		2	SCREW	
	13	9099732000	2	WHEEL Ø214	
K2	14		2	WASHER, SPLIT LOCK d.6	
	15#	9100002103	1	CHARGER BATT. O/B 12V 12A 100-230V US	
	16#	9100001958	1	GASKET SIP	
	17	146 3054 000	1	BELT BATTERY FIXING	
K1	18		1	CLAMP	
	19	9099719000	1	SUPPORT FOR GASKET	
	20#	9100000514	1	VALVE WATER COMPLETE SIP	
K2	21		2	SCREW THREAD ROLLING 5x16	
K1	22		1	HOSE D.12 L=500 MM	
K2	23		2	SCREW, HEX THD TO HD M6x16	
K2	24		2	WASHER 12.5X34X3 NYLON	
	25	9099352000	1	PIN WHEEL	
K1	26		1	HOSE D. 12	
K1	27		1	PIPE 6X11	
K2	28		1	CLAMP 290X4.8	
K2	29		4	WASHER FLAT XL 5.5X15.0X1.6 SS	
	30#	9099927000	1	CHASSIS KIT	
	K1	9098992000	1	HOSES KIT	UNTIL S/N 3510145100322 - REF. ODM 5562
	K1#	9100000476	1	HOSES SOLENOID VALVE 12V KIT	STARTING FROM S/N 3510145100323 - REF. ODM 5562
	[K2]	9100000083	1	HARDWARE FRAME KIT	

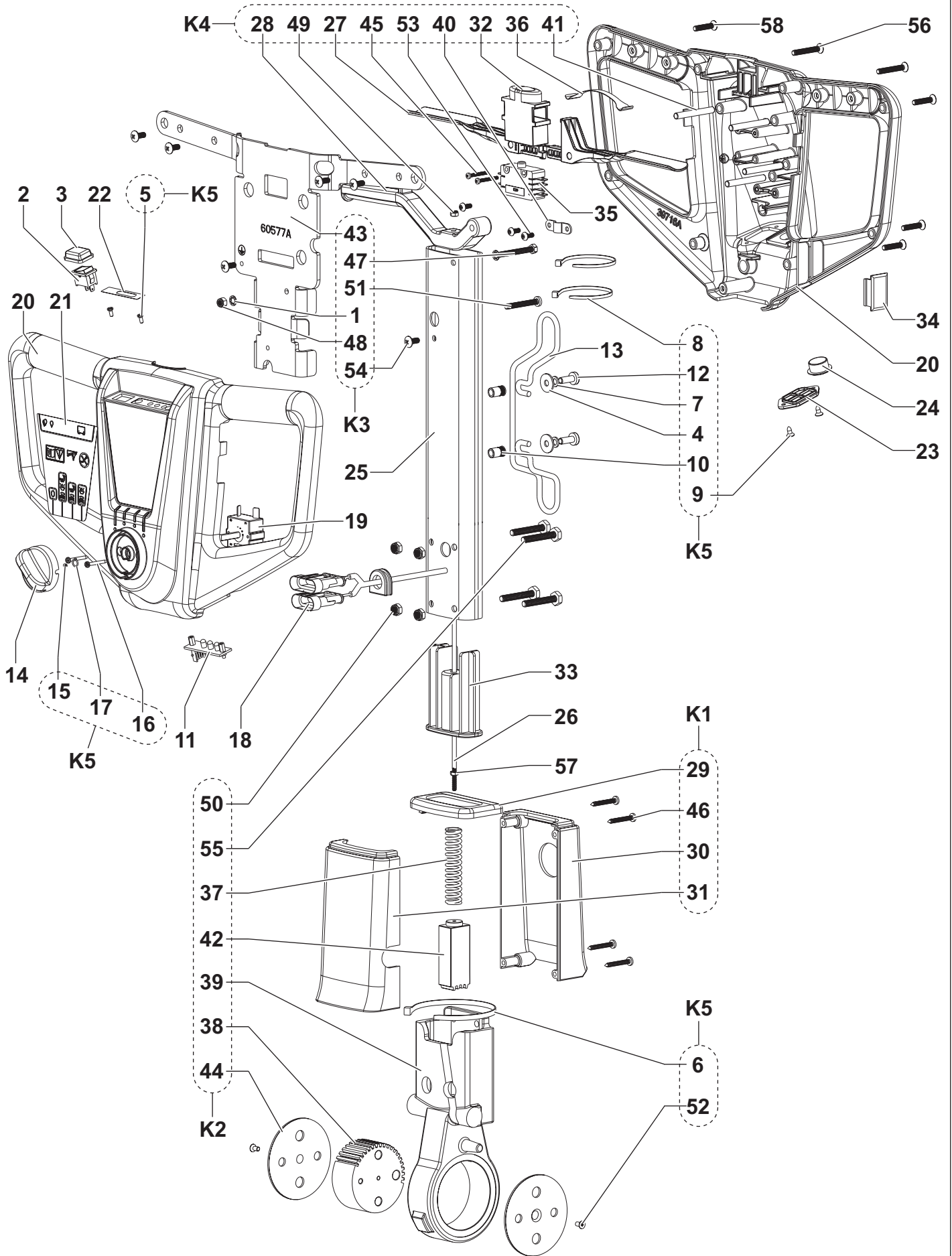
HANDLE SUPPORT SYSTEM



**HANDLE SUPPORT SYSTEM**

KIT	ITEM	REF. NO.	QTY	DESCRIPTION	NOTE
	1	9098760000	2	CONNECTOR 50A GREY	
	2	9098924000	2	FUSE HOLDER	
K1	3		5	NUT SELFLOCKING LOW M8 UN	
	4	909 6542 000	2	GROMMET	
K1	5		2	SCREW M3X16 UNI7687	
K1	6		3	SCREW 3.5X10 THD FORMING	
K1	7		4	WASHER M8 UNI6592 SS	
K1	8		8	NUT SELF L. M6 UNI7474 SS	
K1	9		4	SCREW M8X20 UNI5739 SS	
K1	10		8	WASHER M6 UNI6592 SS	
K1	11		2	SCREW SOC. HD M6X16	
K1	12		2	WASHER, EXT. SHPRF Ø 3 SS	
K1	13		2	SCREW, CARRIAGE M6x35	
	14	9098441000	1	RELAY 12V	
K1	15		2	SCREW, HEX THD TO HD M6x16 SS	
	16	9099802000	1	BREAKER CIRCUIT 35A	
K1	17		4	SCREW M5X10 DIN7500	
	18#	9100001238	1	MOTOR VACUUM 12V 200W SEALED SIP	
	19	9098112000	1	SOLENOID VALVE 12V	UNTIL S/N 351014510032 - REF. ODM 5562
	19#	9100000475	1	SOLENOID VALVE 12V SIP	STARTING FROM S/N 3510145100323 - REF. ODM 5562
	20	9098185000	2	BRACKET HANDLE	
	21#	9100001411	1	SUPPORT HANDLE SIP	
	22	9098268000	1	SUPPORT VACUUM MOTOR	
	23#	9100001958	1	GASKET SIP	
	24	9098327000	1	GASKET VACUUM MOTOR	
	25	9098365000	1	COVER RELAY	
	26	9098482000	1	BRACKET PLUNGER BLOCK	
	27	9098483000	1	COVER VACUUM MOTOR	
	28	9098554000	1	GASKET VACUUM MOTOR	
	29	9098375000	1	TIMER CYCLICAL	
K1	30		2	CLAMP	
	31	145 8513 000	1	FUSE BLADE 30A UL	
	32	145 9852 000	1	FUSE 5A	
	33	146 3113 000	1	RELAY 12V	
	34	9099731000	1	CIRCUIT BRAKE SUPPORT	
K1	35		2	SCREW M6X12 UNI5931 SS	
K1	36		3	WASHER, EXT. SHPRF Ø 6 SS	
	37	9098559000	1	SPACER SUPPORT VACUUM MOTOR	
	38	9098656000	1	CASING VACUUM MOTOR	
	39	9098925000	1	CASING LOWER VACUUM MOTOR	
K1	40		1	SCREW, BUTTON SOC M8X55	
K1	41		4	CLAMP	
K1	42		2	SCREW, BUTTON SOC M 10X25 SS	
	43	9099330000	1	HARNESS MACHINE	UNTIL S/N 351014510032 - REF. ODM 5562
	43#	9100000477	1	HARNESS MACHINE SIP	STARTING FROM S/N 3510145100323 - REF. ODM 5562
	[0]#	L08603885	1	CONNECTOR TYPE DIN 46340	ODM 5562
	44	9098849000	1	HARNESS BATTERY	
	45	9100001278	1	FILTER VACUUM MOTOR SIP	
	[K1]	9100000084	1	HARDWARE HANDLE BAR SUPP. KIT	INTERCHANGEABLE BETWEEN MODELS BEFORE AND AFTER S/N 3510145100323 - REF. ODM 5562

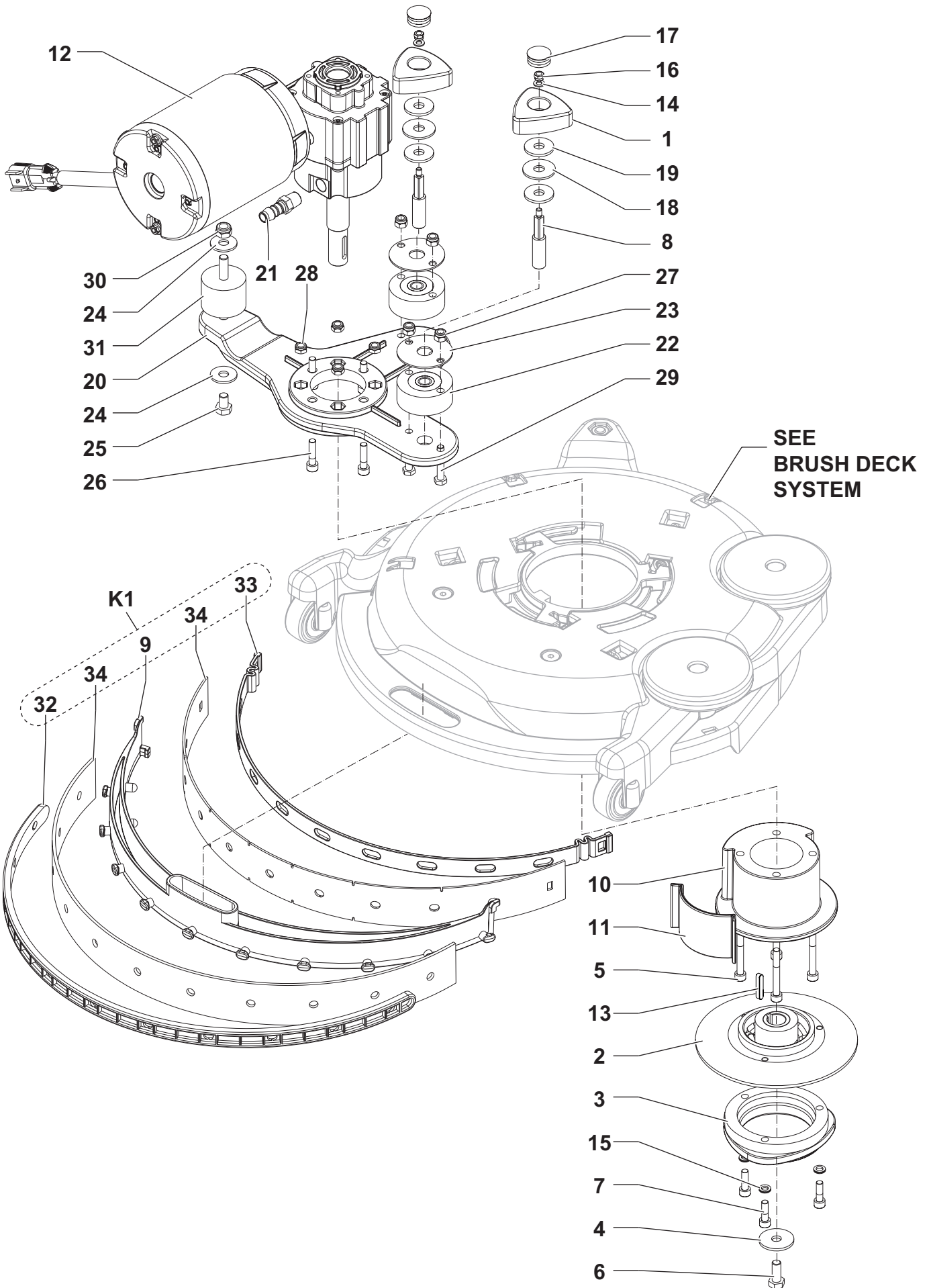
HANDLE SYSTEM



**HANDLE SYSTEM**

KIT	ITEM	REF. NO.	QTY	DESCRIPTION	NOTE
K3	1		3	WASHER	
	2	L08603153	1	SWITCH PUMP	
	3	L08603154	1	CAP PROTECTION	
K5	4		2	WASHER 6X18X1.5 UNI6593	
K5	5		2	SCREW M3X8 UNI7688	
K5	6		1	CLAMP 290X4.8	
K5	7		2	WASHER	
K5	8		2	CLAMP	
K5	9		2	SCREW 3.9X9.5 UNI6955	
K5	10		2	INSERT M6X15 UNI9203	
	11	146 3073 000	1	BOARD. LED	
K5	12		2	SCREW M6X16 UNI7687 SS	
	13#	1466317000	1	SUPPORT CABLE KIT	
	14	9097283000	1	KNOB CONTROL FUNCTIONS	
K5	15		1	SCREW GRUB M3X3 DIN916	
K5	16		2	SCREW 2.9X25 UNI6954 THD	
K5	17		1	SEAL O-RING	
	18	9099331000	1	HARNESS HANDLE BAR	
	19	9099332000	1	SWITCH ROTATIVE 4 POSITIONS	
	20	9100000101	1	COVERS HANDLE GREY KIT	
	21	9099733000	1	DECAL CONTROL PANEL	
	22	9098616000	1	DECAL BATTERY LED	
	23	9098812000	1	CAP FOR HANDLE	
	24	9098813000	1	CAP D.18.5/D.40MM BLACK	
	25	9098835000	1	TUBE HANDLE	
	26	9098836000	1	ROD INDEX	
K4	27		2	LEVER SWITCH	
K4	28		1	LEVER	
K1	29		1	CAP RUBBER	
K1	30		1	COVER REAR	
K1	31		1	COVER FRONT	
K4	32		1	BUTTON INTERLOCK	
	33	VF47033	1	RETAINER	
	34	VF54041	1	HANDLE PLUG	
	35	40263A	1	SWITCH DPDT	
K4	36		1	SPRING INTERLOCK BUTTON	
K2	37		1	SPRING COMPRESSION	
K2	38		1	GEAR	
K2	39		1	HOUSING GEAR INDEX	
K4	40		1	CLAMP CORD	
K4	41		4	PIN HANDLE SUPPORT	
K2	42		1	GEAR INDEX	
K3	43		1	HANDLE SUPPORT	
K2	44		2	PLATE, GEAR HOUSING	
K4	45		2	SCREW M3X25	
K1	46		4	SCREW ST4.2-1.4	
K3	47		1	SCREW M5X43	
K3	48		1	NUT LOCK M5 SS HEX	
K4	49		1	NUT LOCK M4 SS HEX	
K2	50		4	NUT LOCK M6 SS HEX	
K3	51		1	SCREW M5X40 SS PAN HEAD PHILLIPS	
K5	52		2	SCREW M4X8 UNI7688	
K4	53		3	SCREW M4X10 SS PAN HEAD PHILLIPS	
K3	54		6	SCREW M5X12 TRUSS HEAD PHILLIPS	
K2	55		4	SCREW M6X40 SS HEX HEAD	
	56	80398A	2	SCREW M5x35 SS HEAD PHILLIPS	
	57	VV13609	1	NUT LOCK M6 SS HEX	
	58	80407A	4	SCREW M5X25 SS FLAT HEAD PHILLIPS	
K1	11271A		1	LOWER COVER KIT	
K2	11272A		1	BOX HOUSING GEARS KIT	
K3	11273A		1	HANDLE SUPPORT KIT	
K4	11274A		1	HANDLE SWITCH LEVER KIT	
K5	9098995000		1	HARDWARE HANDLE BAR KIT	

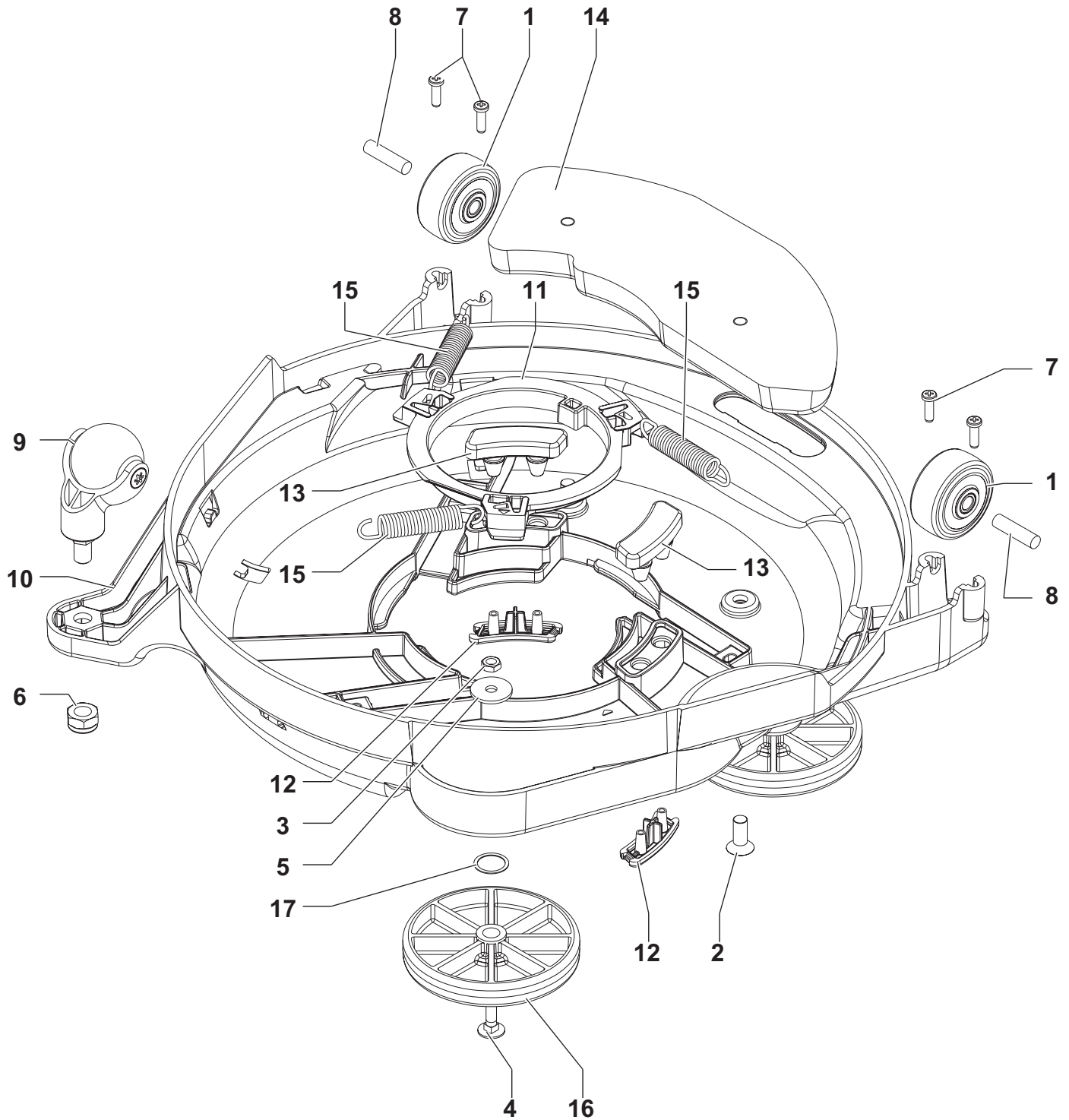
**MOTOR AND DECK SYSTEM**



**MOTOR AND DECK SYSTEM**

KIT	ITEM	REF. NO.	QTY	DESCRIPTION	NOTE
	1	L08812203	2	KNOB	
	2	L08812306	1	HOUB.BRUSH R.GEARMOTOR RIGHT	
	3	L08812480	1	HUB, BRUSH	
K2	4		1	SCREW, HEX THD TO HD M8x20 SS	
K2	5		4	SCREW SOC. HD M6X50	
K2	6		1	WASHER FLAT XL 9.0X32.0X2.5 SS	
K2	7		3	SCREW SOC. HD M6x20 SS	
	8	9098557000	2	PIN, BRUSH PLATE FIXING	
K1	9		1	SQUEEGEE	
	10#	9100000955	1	FLANGE DECK KIT	
	11	9099736000	1	SPACER LIMIT	
	12#	9100000679	1	REDUCTION MOTOR GEAR 12V 260W SIP	
	13#	1466146000	1	KEY 5X 5X25 UNI 6604A SIP	
K2	14		2	WASHER, FLAT 5.3x10x1 SS	
K2	15		3	WASHER NORD LOCK M6	
K2	16		2	NUT, HEX NYL LOC THIN M5 SS	
	17	L08812426	2	CAP	
K2	18		2	WASHER FLAT XL 10X30X2 - RUBBER	
K2	19		4	WASHER FLAT 9,5X27X2.5	
	20	9099718000	1	SUPPORT DECK	
	21	L08601624	1	HOLDER RUBBER 1/4 D.10	UNTIL S/N 3510145100322 - REF. ODM 5562
	21#	9100000478	1	HOLDER RUBBER STRAIGHT 1.4 D.6 SIP	STARTING FROM S/N 3510145100323 - REF. ODM 5562
	22	L08812213	2	SHOCK ABSORBER	
	23	L08812779	2	PLATE, VIBRATION DAMPING	
K2	24		2	ROND GREMB 8X24	
K2	25		1	SCREW, HEX THD TO HD M8x12	
K2	26		4	SCREW SOC. HD M6X25 SS	
K2	27		4	NUT, HEX NYL LOC HVY M6	
K2	28		4	NUT, HEX NYL LOC THIN M6	
K2	29		4	SCREW, HEX THD TO HD M6x35 SS	
K2	30		1	NUT, HEX NYL LOC THIN M8 SS	
	31#	9100000868	1	VIBRATION DAMPING M8 60SH 2 PCS SET	
K1	32	9099707000	1	REAR STRAP ELASTIC	
K1	33	9099708000	1	RUBBER BLADE RETAINER	
K1	34	9100000077	1	BLADES SQUEEGEE KIT	
	<b>34*</b>	<b>9100000302</b>	<b>1</b>	<b>BLADES RED GUM 370MM/14" KIT</b>	
K1		9100000085	1	SQUEEGEE KIT	
[K2]		9100000086	1	HARDWARE MOTOR AND DECK KIT	

## BRUSH DECK SYSTEM

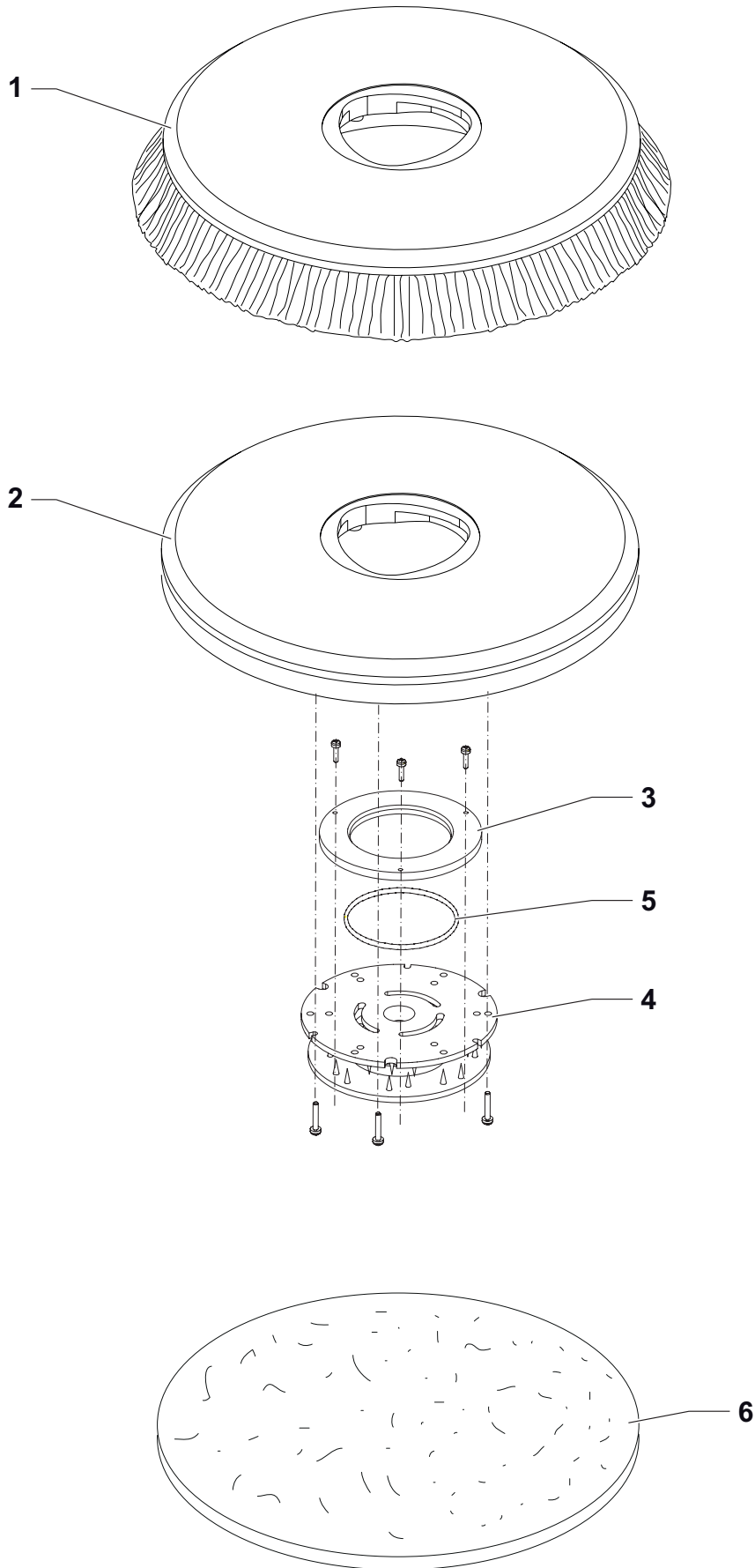




**BRUSH DECK SYSTEM**

KIT	ITEM	REF. NO.	QTY	DESCRIPTION	NOTE
	1#	9100000559	2	WHEEL D.51 GREY SIP	
K2	2		2	SCREW FLAT SOCKET HEAD M8X20.0	
K2	3		2	NUT HEX THIN M6	
K2	4		2	SCREW, CARRIAGE M6X25	
K2	5		2	WASHER FLAT XL 6.6X24.0X2.0	
K2	6		1	NUT HEX NYL LOC THIN M10	
K2	7		4	THREAD ROLLING SCR 5X16	
K2	8		2	PIN D.8	
	9	9099163000	1	CASTOR WHEEL $\phi$ 42	
	10	9099712000	1	COVER BRUSH DECK	
	11	9099713000	1	FLANGE CENTRAL	
K1	12		2	CLUTCH SUPPORT	
K1	13		2	CLUTCH	
	14#	9100002162	1	COUNTERWEIGHT SIP	
	15	9099720000	3	SPRING TRACTION	
	16#	9100001816	1	WHEEL BUMPER D.100 PLASTIC 2 PCS SET	
K2	17		2	WASHER 15	
K1		9100000087	1	CLUTCH KIT	
K2		9100000088	1	HARDWARE BRUSH DECK KIT	

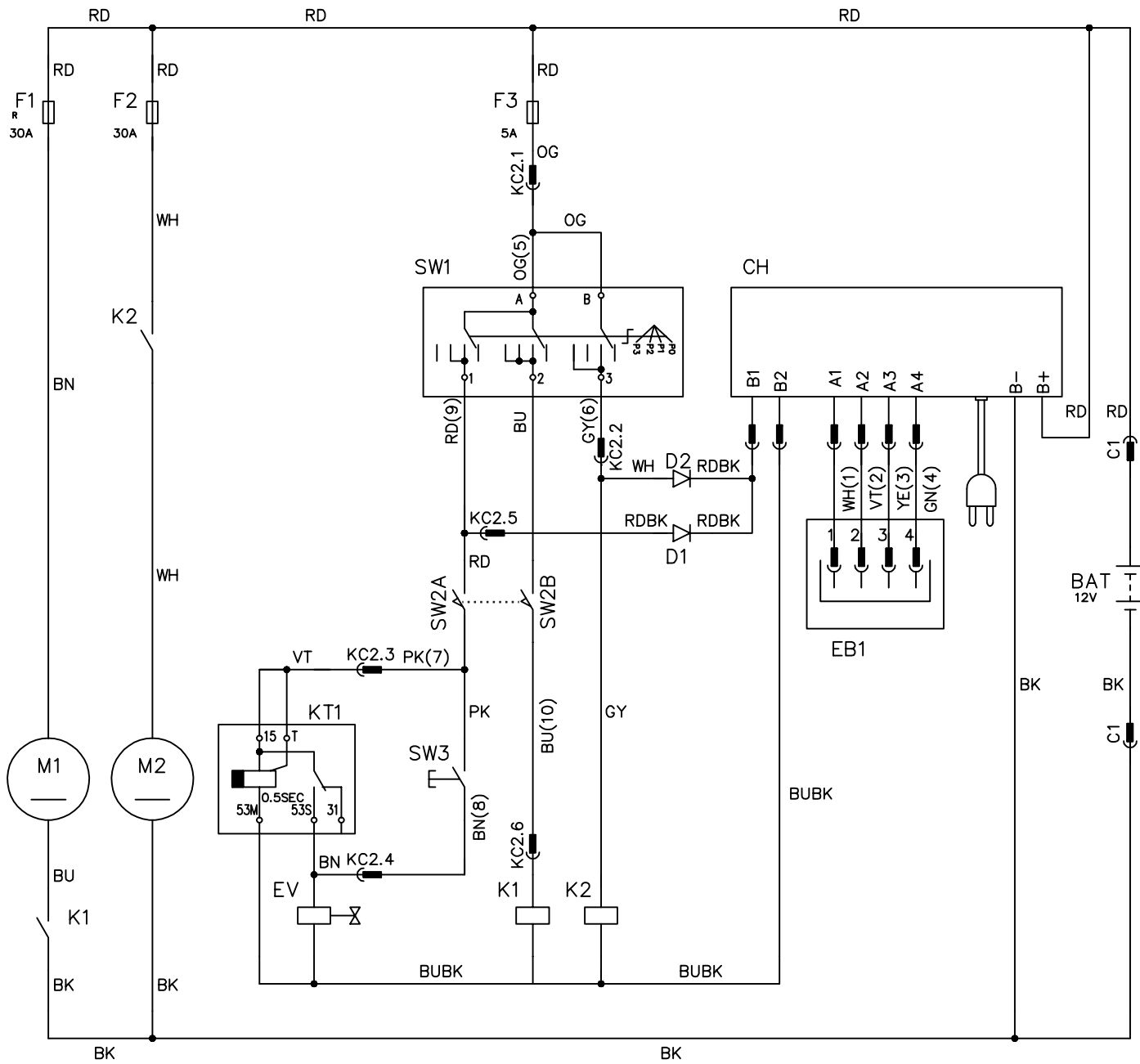
BRUSHES



**BRUSHES**

KIT	ITEM	REF. NO.	QTY	DESCRIPTION	NOTE
	1	9099999000	1	BRUSH D.370MM 14" PROLENE PPL	
	<b>1*</b>	<b>9100000001</b>	<b>1</b>	<b>BRUSH D.370MM 14" PROLITE PPL</b>	
	<b>1*</b>	<b>9100000000</b>	<b>1</b>	<b>BRUSH D.370MM 14" UNION MIX</b>	
	<b>1*</b>	<b>9100000002</b>	<b>1</b>	<b>BRUSH D.370MM 14" MID GRIT 240</b>	
	<b>1*</b>	<b>9100000003</b>	<b>1</b>	<b>BRUSH D.370MM 14" MIDLITE GRIT 180</b>	
	<b>2*</b>	<b>9099672000</b>	<b>1</b>	<b>PAD HOLDER GRIP 14"</b>	
	3	L08603966	1	RING NYLON	
	4#	56505195	1	RETAINER PAD	
	5	L08603965	1	SEAL O-RING	
	<b>6*</b>	<b>10001918</b>	<b>1</b>	<b>PAD 14 355MM BROWN 5 PCS</b>	
	<b>6*</b>	<b>10001920</b>	<b>1</b>	<b>PAD 14 355MM RED 5 PCS</b>	
	<b>6*</b>	<b>10001921</b>	<b>1</b>	<b>PAD 14 355MM WHITE 5 PCS</b>	
	<b>6*</b>	<b>10001919</b>	<b>1</b>	<b>PAD 14 355MM GREEN 5 PCS</b>	

WIRING DIAGRAM



**WIRING DIAGRAM**

KEY	REF. NO.	DESCRIPTION	NOTE
BAT	1464853000	BATTERY 12V 84AhC5 AGM	
CH#	9100002103	CHARGER BATT. O/B 12V 12A 100-230V US	
D1	-	DIODE	
D2	-	DIODE	
EB1	146 3073 000	BATTERY LEVEL BOARD	
EV	9098112000	DETERGENT SOLENOID VALVE	UNTIL S/N 351014510032
EV#	9100000475	DETERGENT SOLENOID VALVE SIP	STARTING FROM S/N 3510145100323
F1	9099802000	BRUSH MOTOR CIRCUIT BREAKER (35 A)	
F2	145 8513 000	VACUUM MOTOR FUSE (30 A)	
F3	145 9852 000	ROTATIVE SWITCH FUSE (5 A)	
K1	146 3113 000	BRUSH MOTOR RELAY	
K2	9098441000	VACUUM MOTOR RELAY	
KT1	9098375000	SOLENOID VALVE TIMER	
M1#	9100000679	REDUCTION GEARMOTOR 260W 12V SIP	
M2#	9100001238	MOTOR VACUUM 12V 200W SEALED SIP	
SW1	9099332000	ROTATIVE SWITCH	
SW2	40263A	SWITCH BRUSH MOTOR-SOLENOID VALVE	
SW3	L08603153	DETERGENT SWITCH	

KEY	COLOUR
BK	BLACK
BU	LIGHT BLUE
BN	BROWN
GN	GREEN
GY	GREY
OG	ORANGE

KEY	COLOUR
PK	PINK
RD	RED
VT	VIOLET
WH	WHITE
YE	YELLOW

**RECOMMENDED SPARE PARTS**

REF. NO.	QTY	DESCRIPTION	NOTE
<b>NORMAL WEAR</b>			
910000077	1	BLADES SQUEEGEE KIT	
9099999000	1	BRUSH D.370MM 14" PROLENE PPL	
<b>ORDINARY MAINTENANCE</b>			
9099707000	1	REAR STRAP ELASTIC	
9099708000	1	RUBBER BLADE RETAINER	
9099127000	1	GASKET TANK COVER KIT	
# 9100001958	2	GASKET SIP	
9098111000	1	MOTOR VACUUM 12V 200W	
9098327000	1	GASKET VACUUM MOTOR	
# 9100000679	1	REDUCTION GEARMOTOR 260W 12V SIP	
L08812480	1	HUB BRUSH	
9099706000	1	VACUUM PIPE D.25	
# 9100000559	2	WHEEL D.51 GREY SIP	
9099163000	1	CASTOR WHEEL $\varnothing$ 42	
9100000087	1	CLUTCH KIT	
9100000085	1	SQUEEGEE KIT	
<b>EXTRA-ORDINARY MAINTENANCE</b>			
9099712000	1	COVER BRUSH DECK	
# 9100001816	1	WHEEL BUMPER D.100 PLASTIC 2 PCS SET	
9099732000	2	WHEEL $\varnothing$ 214	
# 9100002103	1	CHARGER BATT. O/B 12V 12A 100-230V US	
# 9100000514	1	VALVE WATER COMPLETE SIP	
9098992000	1	HOSES KIT	UNTIL S/N 351014510032
# 9100000476	1	HOSES SOLENOID VALVE 12V KIT	STARTING FROM S/N 3510145100323
9098760000	2	CONNECTOR 50A GREY	
9099802000	1	BREAKER CIRCUIT 35A	
9098112000	1	SOLENOID VALVE 12V	UNTIL S/N 351014510032
# 9100000475	1	SOLENOID VALVE 12V SIP	STARTING FROM S/N 3510145100323
146 3113 000	1	RELAY 12V	
9098441000	1	RELAY 12V	
9098375000	1	TIMER CYCLICAL	
145 8513 000	1	FUSE BLADE 30A UL	
145 9852 000	1	FUSE 5A	
9099332000	1	SWITCH ROTATIVE 4 POSITIONS	
40263A	1	SWITCH DPDT	
L08603153	1	SWITCH PUMP	

**OPTIONALS AND ACCESSORIES**

REF. NO.	QTY	DESCRIPTION	NOTE
9099011000	1	HOSE FILLING KIT	
9100000001	1	BRUSH D.370MM 14" PROLITE PPL	
9100000000	1	BRUSH D.370MM 14" UNION MIX	
9100000002	1	BRUSH D.370MM 14" MID GRIT 240	
9100000003	1	BRUSH D.370MM 14" MIDLITE GRIT 180	
9099672000	1	PAD HOLDER GRIP 14"	
10001918	1	PAD 14 355MM BROWN 5 PCS	
10001920	1	PAD 14 355MM RED 5 PCS	
10001921	1	PAD 14 355MM WHITE 5 PCS	
10001919	1	PAD 14 355MM GREEN 5 PCS	
#	9100000302	1	BLADES RED GUM 370MM/14" KIT

9435 Winnetka Avenue North  
Brooklyn Park, MN 55445  
[www.advance-us.com](http://www.advance-us.com)  
Phone: 800-989-2235  
Fax: 800-989-6566  
©2017 Nilfisk, Inc.

