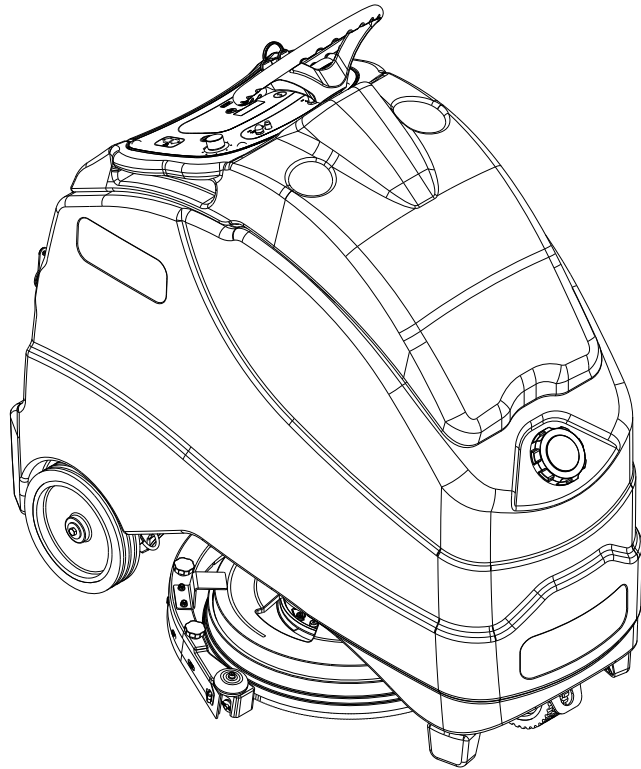


---

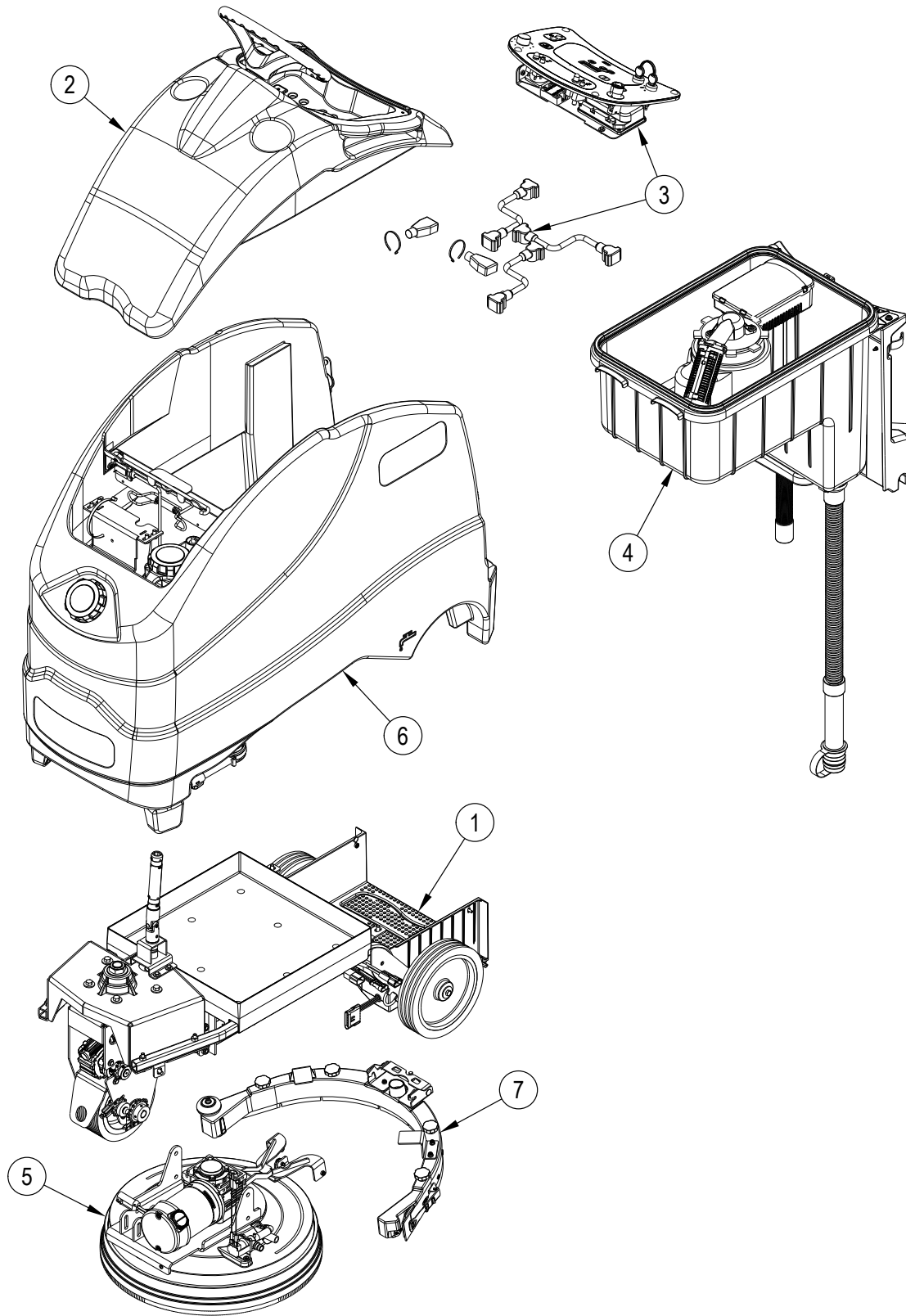
# Clarke<sup>®</sup>

## SA40



**Parts List**  
**Model: 56104487**

GENERAL VIEW



Item	Ref. No.	Qty	Description
1		1	Chassis System
2		1	Control System
3		1	Electrical System
4		1	Recovery System

Item	Ref. No.	Qty	Description
5		1	Scrub System-20D
6		1	Solution System
7		1	Squeegee Assy

### TABLE OF CONTENTS

DESCRIPTION	PAGE
Chassis System .....	2-3
Drive Wheel Assembly .....	4-5
Platform Assembly .....	6-7
Control System .....	8-9
Decal System.....	10-11
Electrical System .....	12-13
Recovery System.....	14-15
Scrub System-20D.....	16-17
Solution System.....	18-19
Squeegee System .....	20-21
Ladder Diagram-1 .....	22-23
Ladder Diagram-2.....	24-25
Optional Kits and Accessories .....	26
Recommended Spare Parts .....	27-28
Brush Selector Guide .....	29
Squeegee Blade Selector Guide .....	30

### WHEN ORDERING PARTS

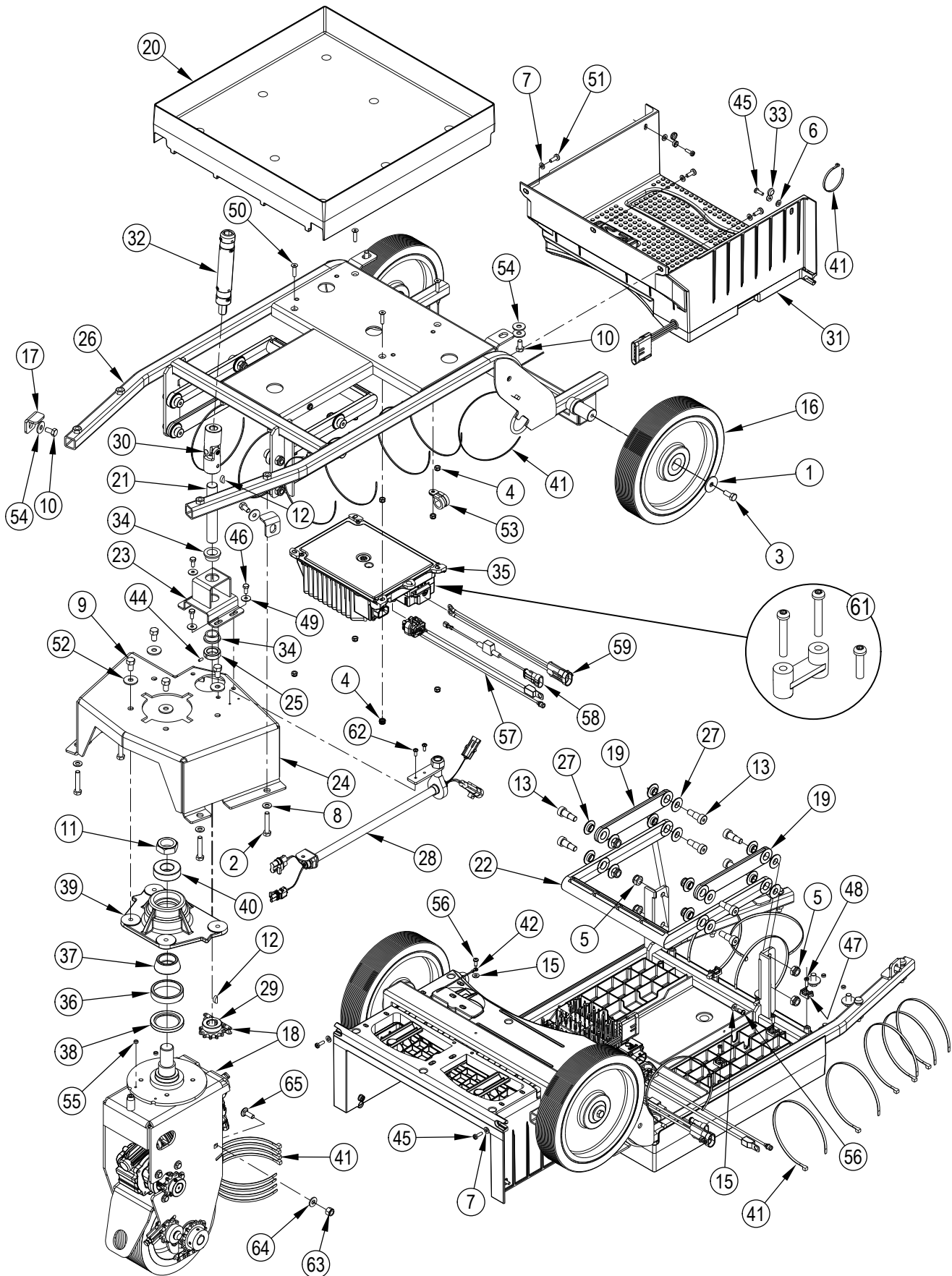
- \* Use the part numbers from the "Ref. No." columns in this parts list. If the "Ref. No." column is blank; look under the "Kit" column to identify which kit contains the part in question, then use the kit callout, for example "K1", to find the "Ref. No." for that kit.
- \* Specify the model number and serial number of the machine.

Kit	Item	Ref. No.	Qty	Description
K1	1		16	Washer Flat 3/16 Zinc Plat
K1	2		2	Screw-BHS-Brass-10-32x3/8-MS
K1	3		3	Washer EPDM 7/32 X 1/8
	4	805	1	Chain-Cover
	5	905	2	Caster Swivel 4 Gray Non MA
K1	6		2	Nut, Hex Nyl Loc 10-24
K1	7		3	Scr- Hex SS 1/4-20 X .75
K1	8		16	Scr, Hex Hd Loc 1/4-20 x .50
K1	9		3	Wsh, Flt SS .260 X 1.000 X .074
	10	56113012	1	Solution Tank
	11	56113034	2	Hinge Plate
K1		56113103	1	Kit-Hardware Solution Tank

- \* Use the space below to record the model number and serial number for future reference.

Model No. \_\_\_\_\_ Serial No. \_\_\_\_\_

### CHASSIS SYSTEM



### CHASSIS SYSTEM

Kit	Item	Ref. No.	Qty	Description
K2,K4	1		2	Washer Flat XI 9.0 x 32.0 x 2.5
K4	2		4	Screw, Hex Hd M8 x 45-
K2,K4	3		2	Screw, Hex Thd To Hd M8 x 20 SS
K4	4		9	Nut, Hex Nyl Loc Thin M6
K4	5		8	Nut, M10-1.5 Nylock
	6			Intentionally Omitted
K4	7		7	Washer, Flat 6.4 X 12.5
K4	8		4	Washer, Flat 8.4 X 16 X 1.6
K4	9		4	Scr-Hex Hd Loc 3/8-16 x .62
K4	10		4	Scr-Hex M8-1.25 X 16MM
K3	11		1	Nut, Hex Nyl Loc-Thin 1-14
K4	12		2	Key-Wdf 5MM X 6.5MM X 16MM
K4	13		8	Scr-Soc-Shd-M12X16MMX-M10-1.50
K4	15		2	Wsh, Int Shprf #10
K2	16		2	Wheel
	17	56104091	2	Mounting Tab
	18		1	Drive Wheel Assembly
	19	56104094	2	Bar Linkage
	20	56104105	1	Battery Tray
	21	56104130	1	Steering Shaft
	22	56104135	1	Link Bar
	23	56104148	1	Steering Shaft Weldt
	24	56104151	1	Spindle Mount Weldment
	25	56104157	1	Collar
	26	56104448	1	Chassis Weldment
K4	27		16	Bushing Link Arm
K5	[28]		1	Harness-Drive Motor Kit
	29	56104269	1	Sprocket-11 Tooth
K1	30		1	Universal Joint
	31		1	Platform Assembly
	32	56104319	1	Tube-Steering Assembly
K4	33		2	Screw Cap
	34	56104267	2	Bearing Flange
	35	56383856	1	Charger-Onboard 24VDC 650W (E2) <b>NOTE 1</b>

Kit	Item	Ref. No.	Qty	Description
K3	36		1	Bearing Cup
K3	37		1	Bearing Cone
K3	38		1	Seal, Shaft
	39	56314032	1	Block, Bearing
K3	40		1	Bearing Ball
K4	41		14	Tie, 8" Black
K4	42		1	Chain - Ball
K4	44		1	Screw Grub M5 x 10 Uni5929
K4	45		4	Scr. Pan Phil M5 x 16
K4	46		3	Screw M6x14 Hex Hd F/Thd ISO4017
K4	47		5	Flat Tie Holder
K4	48		5	Thread Rolling Scr 5 X 16
K4	49		3	Washer, Flat XI
K4	50		4	Screw Flat Socket Head M6 x 25.0
K4	51		3	Scr-Pan Phil M6-1 X 16MM
K4	52		4	Washer, Flat XI 9.5 X 27 X 2.5
	53	9095516000	1	Clamp 18
K4	54		6	Washer Flat XI Uni-6593 8 x 24
	55	9099196000	2	Spacer 5.5 X 8 X 3
K4	56		2	Scr, Hex Thd Form 10-24 X .50
	57	56383857	1	Indicator-Charge Led W/Temp
	58	56383587	1	Adapter-Interlock Pin 1
	59	56383586	1	Adapter-Charger Delta-Q Power
	60			Intentionally Omitted
	61	56384043	1	Strain Relief Kit
K5	62		2	Scr Pan Phil 10-24 X .50
K5	63		1	Nut-Hex Nyl Loc SS.25-20
K5	64		1	Wsh-Ext-Ser-SS-.25
K5	65		2	Scr-Carr-SS-1/4-20X.675
K5	66		1	15.35 in Cable Tie Black Nylon

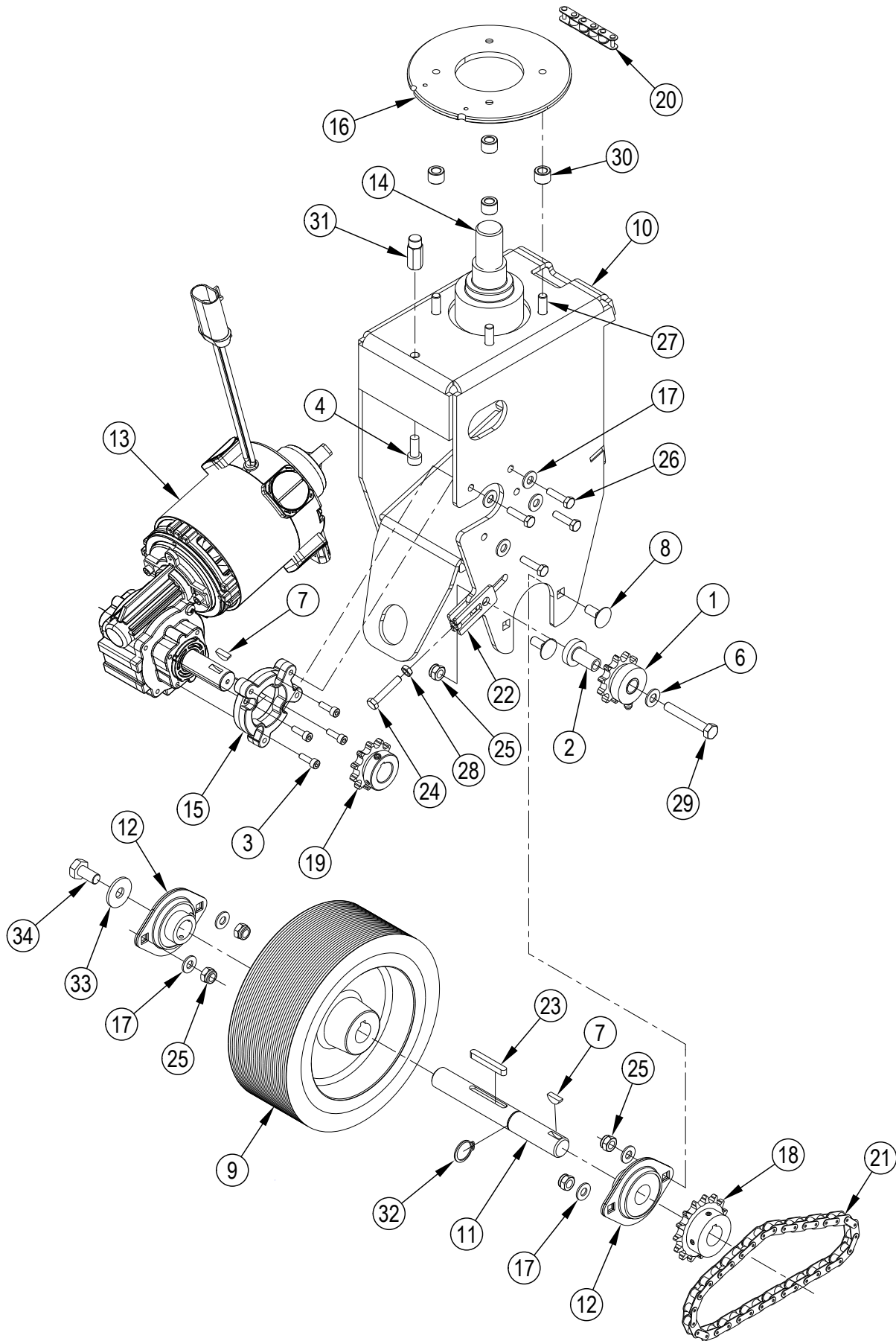
**SERVICE KITS**

K1	56104328	1	Universal Joint Kit
K2	56104331	1	Rear Wheel Kit
K3	56104332	1	Bearing Block Kit
K4	56104333	1	Chassis Hardware Kit
K5	56385136	1	Harness-Drive Motor Kit

[ ] = Not Shown

**NOTE 1** = The onboard battery charger 56112544 has been replaced in production by 56383856. If you need to replace 56112544 please order Onboard Charger Kit 56383872.

### DRIVE WHEEL ASSEMBLY



## DRIVE WHEEL ASSEMBLY

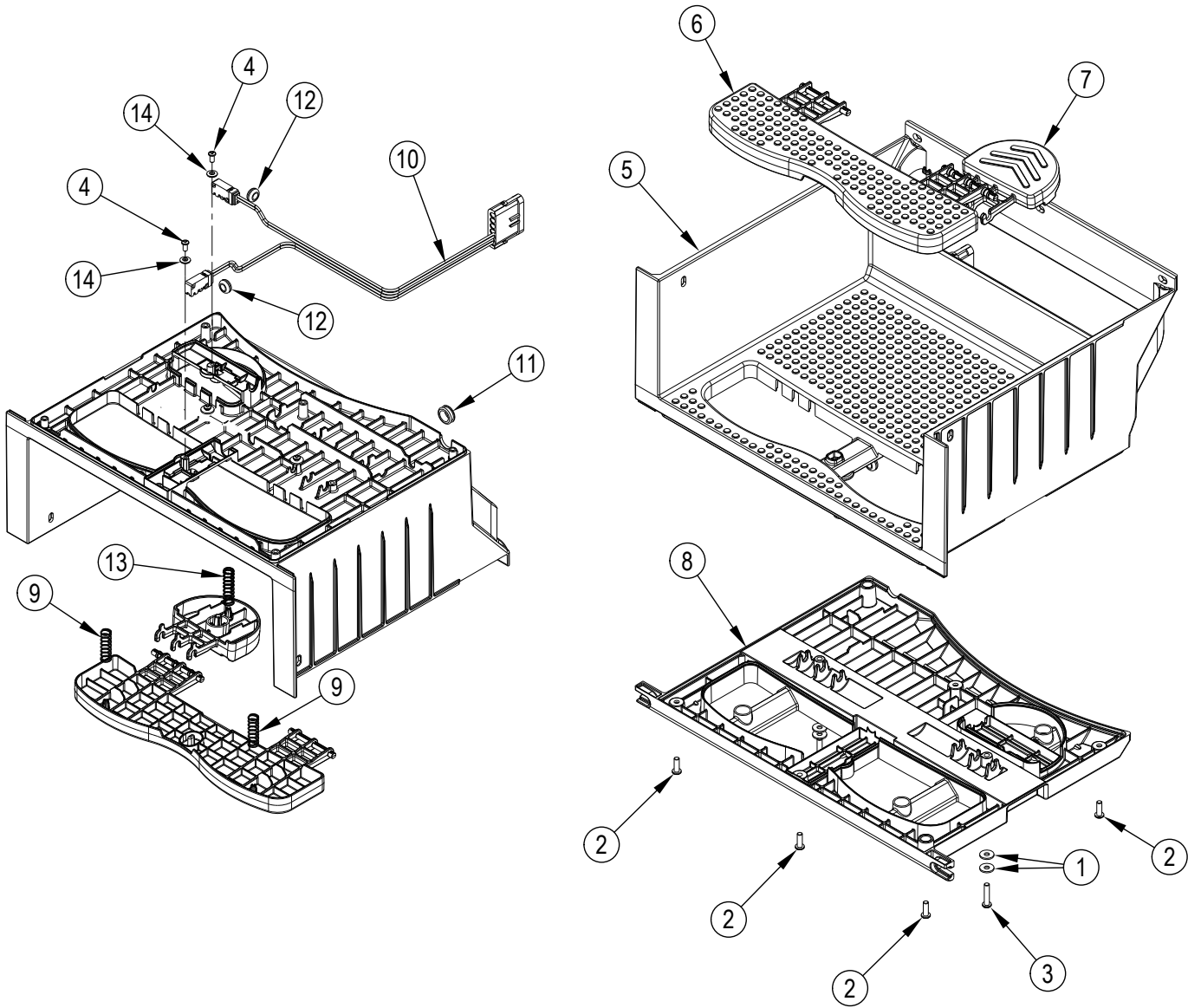
Kit	Item	Ref. No.	Qty	Description
			1	Drive Wheel Assembly
K7	1		1	Sprocket Assy
K7,K8	2		1	Bushing, Flanged
K5,K8	3#		4	Scr. Soc Hd M5 x 16mm
K8,K10	4		1	Scr Soc Hd M8 X 20.0
	5		1	<b>DELETED</b>
K7,K8	6		1	Wsh-Flt SAE Ss 5/16
K5,K6,K7	7		2	Key-Wdf 5mmx6.5mmx16mm
K6,K8,K9	8		4	Scr-Carriage Ss M8-1.25 X 20mm
K6	9		1	Drive Wheel
	10	56104793	1	Drive Wheel Frame Weldment
K6	11		1	Axle
K6,K9	12		2	Axle Bearing
K5	13		1	Drive Wheel Motor <b>(M1)</b>
	*	56384100	1	Electromagnetic Brake Kit <b>NOTE 1</b>
	14	56104077	1	Spindle Weldt
K5	15		1	Spacer
	16	56104115	1	Steering Plate
K5,K6,K8,K9	17#		8	Washer, Flat 8x17x1.6 SS
K7	18		1	Sprocket-15 Tooth
K7	19		1	Sprocket-11 Tooth
	20	56104270	1	Chain-Roller
K7	21		1	Chain-Roller
K7	22		1	Weld't-Idler Adjust
K6	23		1	Key, 6mm Sq
K7,K8	24		1	Screw, Hex Thd To Hd M6x35 SS
K5,K6,K8,K9	25		5	Nut, Hex Nyl Loc Thin M8 SS
K5,K6,K8	26		4	Screw, Hex Thd To Hd M6x25 SS
K8	27		4	Screw, Hex Thd To Hd M8x30 SS
K7,K8	28		1	Nut, Hex M6 SS
K7,K8	29		1	Screw, Hex Thd To Hd M8x55 SS
K8	30		4	Spacer
K8,K10	31		1	Bushing-Stop-Steering
K6	32	33006059	1	Ring D 20 UNI7435
K6	33	56003959	1	Wsh-Flt A2 DIN9021 10.5X30X2.5
K6	34	56003533	1	Scr Hex SS M10-1.50X20MM
<b>SERVICE KITS</b>				
	K5	56104336	1	Drive Wheel Motor Kit
	K6	56104338	1	Wheel And Bearing Kit
	K7	56104435	1	Sprocket And Chain Kit <b>(used with 56104431)</b>
	K8	56104340	1	Drive Wheel Hardware Kit
	K9	56104384	1	Front Wheel Bearings Kit
	K10	56394286	1	Stop-Steering Kit

\* = Optional, Not Included

# = Revised or new since last update

**NOTE 1:** Electromagnetic Brake Kit 56384100 can be used to replace Brake-Electromagnetic 56384098 as a separate repair part for the Drive Wheel Motor.

# PLATFORM ASSEMBLY





**PLATFORM ASSEMBLY**

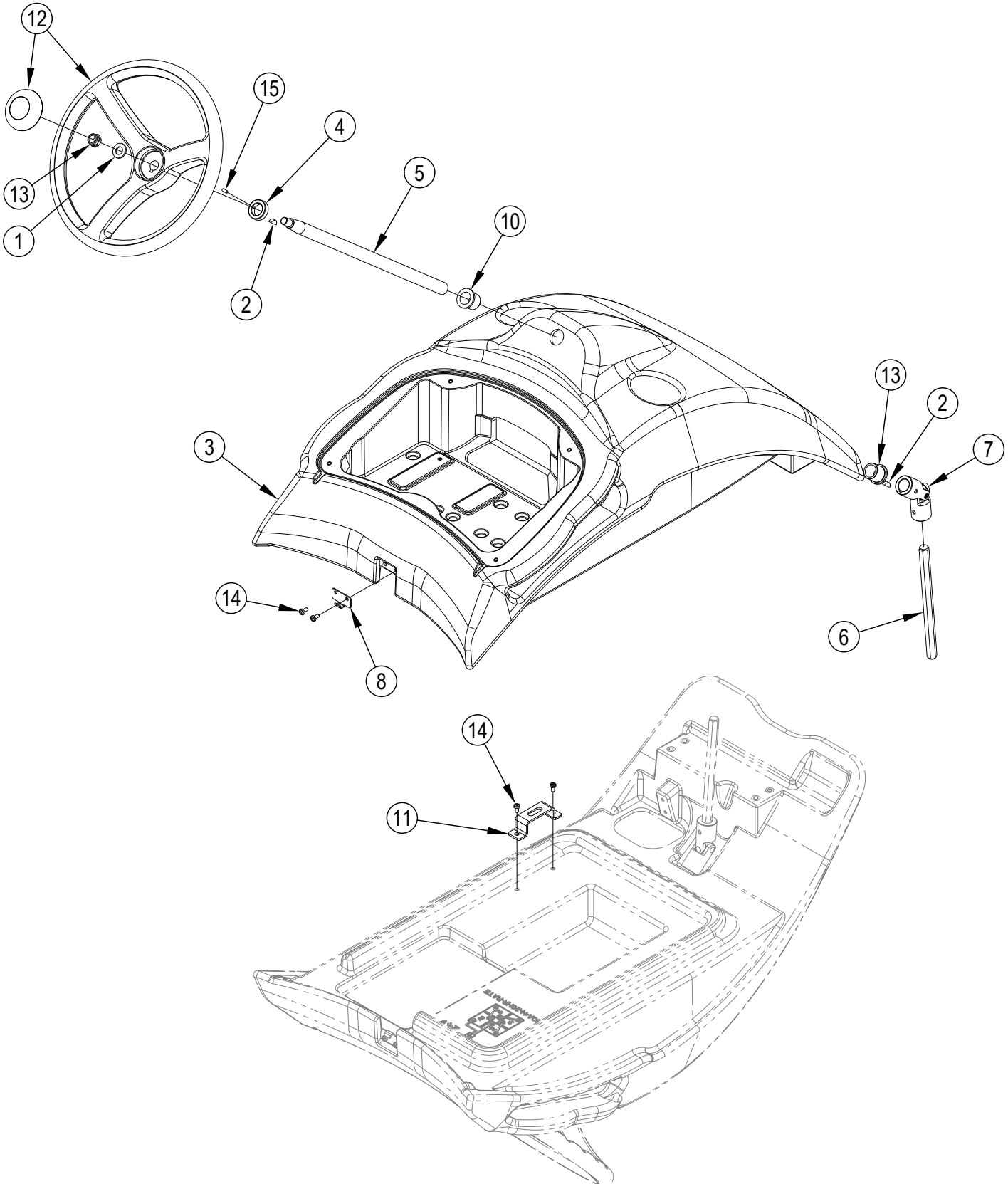
<b>Kit</b>	<b>Item</b>	<b>Ref. No.</b>	<b>Qty</b>	<b>Description</b>
			1	Platform Assembly
K1	1		6	Washer
K1	2		6	Scr Pan Phil Plastit10-14x.62
K1	3		2	Scr Pan Phil Plastite 10-14x1
K1	4		4	Scr-Pan Phil Plast M5x2.3x10mm
	5	56104052	1	Platform-Upper
	6	56104185	1	Pedal-Safety
	7	56384567	1	Pedal-Foot
	8	56104187	1	Platform-Bottom
	9	56384579	2	Spring-Compression-M/W-.480 OD <b>NOTE 1</b>
	10	56104406	1	Switch Harness ( <b>S2, S5</b> )
	11	56158690	1	Grommet
	12	56331006	2	Grommet
	13	56384568	1	Spring-Compression-SS-.480 OD <b>NOTE 1</b>
K1	14		1	Washer

**SERVICE KITS**

K1	56104417	1	Platform Hardware Kit
----	----------	---	-----------------------

**NOTE 1:** All three springs should be replaced at the same time for these machines.

### CONTROL SYSTEM



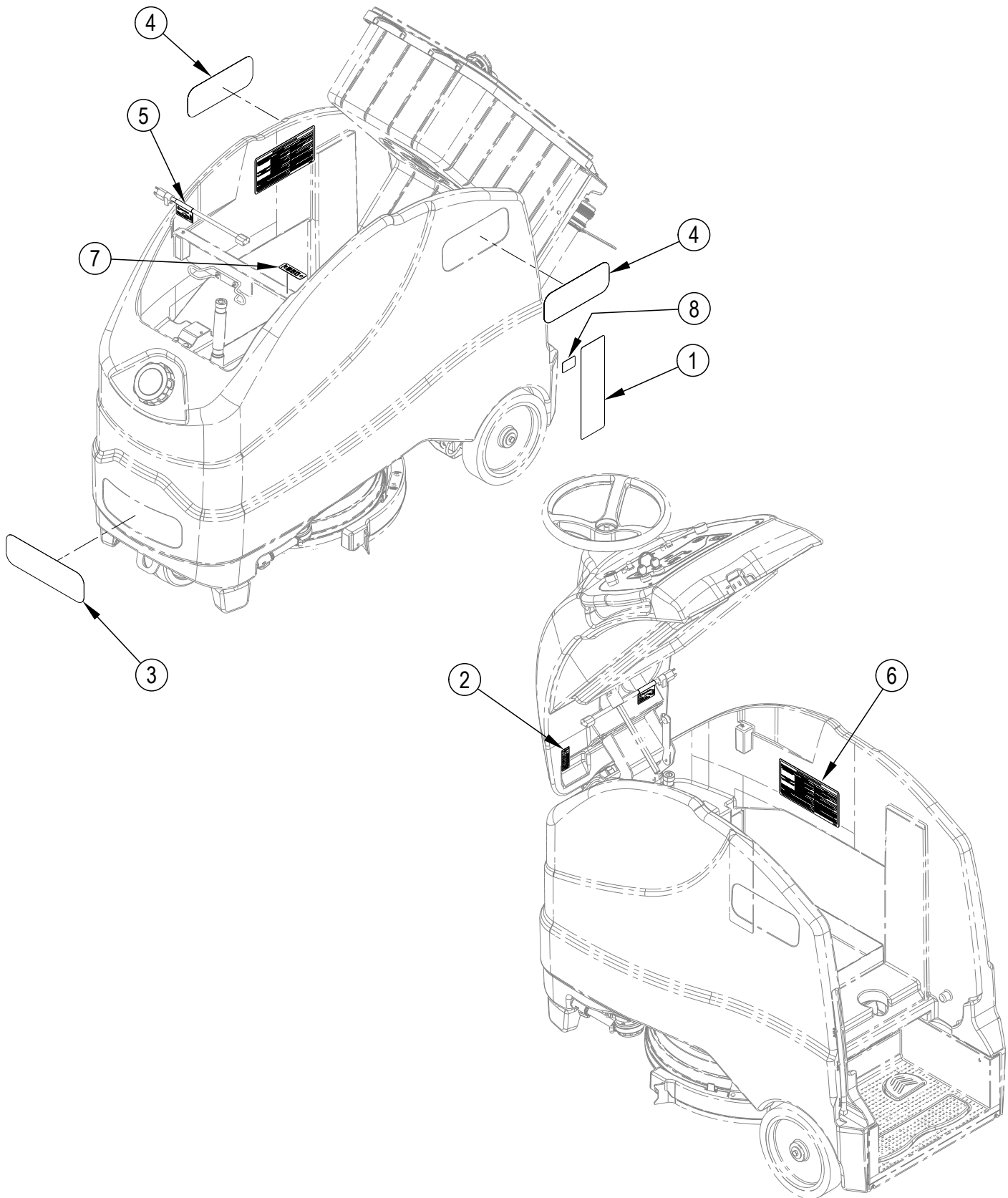
**CONTROL SYSTEM**

<b>Kit</b>	<b>Item</b>	<b>Ref. No.</b>	<b>Qty</b>	<b>Description</b>
K3	1		1	Washer, Flat 13X24
K3	2		2	Key-Wdf 5mmX6.5mmX16mm
	3	56104491	1	Control Panel
K3	4		1	Collar
	5	56104196	1	Shaft Steering
	6	56104265	1	Shaft Hex
K1	7		1	Universal Joint
K2	8		1	Hook Latch
K3	10		2	Bearing-Flange
	11	56104410	1	Bracket-Prop Rod
	12	56601060	1	Steering Wheel
K3	13		1	Nut, Hex Nyl Loc Thin M12
K2,K3	14		4	Scr. Pan Phil M5x10 Ss
K3	15		1	Screw Grub M5x10 Uni5929

**SERVICE KITS**

K1	56104328	1	Universal Joint Kit
K2	56104352	1	Draw Latch Kit
K3	56104365	1	Control Hardware Kit

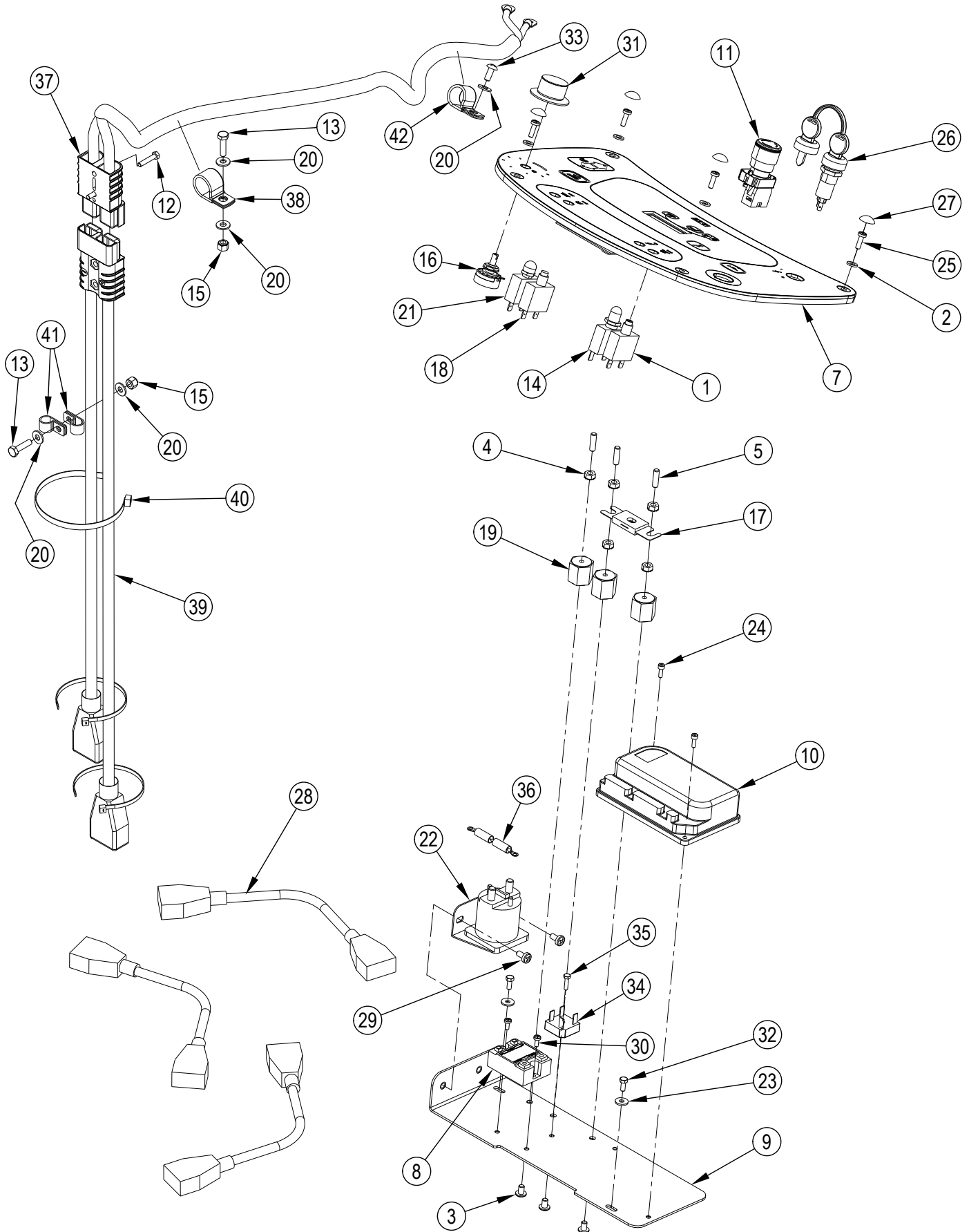
### DECAL SYSTEM



**DECAL SYSTEM**

<b>Kit</b>	<b>Item</b>	<b>Ref. No.</b>	<b>Qty</b>	<b>Description</b>
K1	1		1	Decal. Caution
K1	2		1	Decal-Chemical Ratio
K1	3		1	Decal-SA40
K1	4		2	Decal-Clarke
K1	5		1	Decal-Charger Cord
K1	6		1	Decal-Error Codes
K1	7		1	Decal-Charger LED
K1	8		1	Decal-Prop 65
				<b>SERVICE KITS</b>
K1	56104497		1	SA40 Decal Kit

### ELECTRICAL SYSTEM



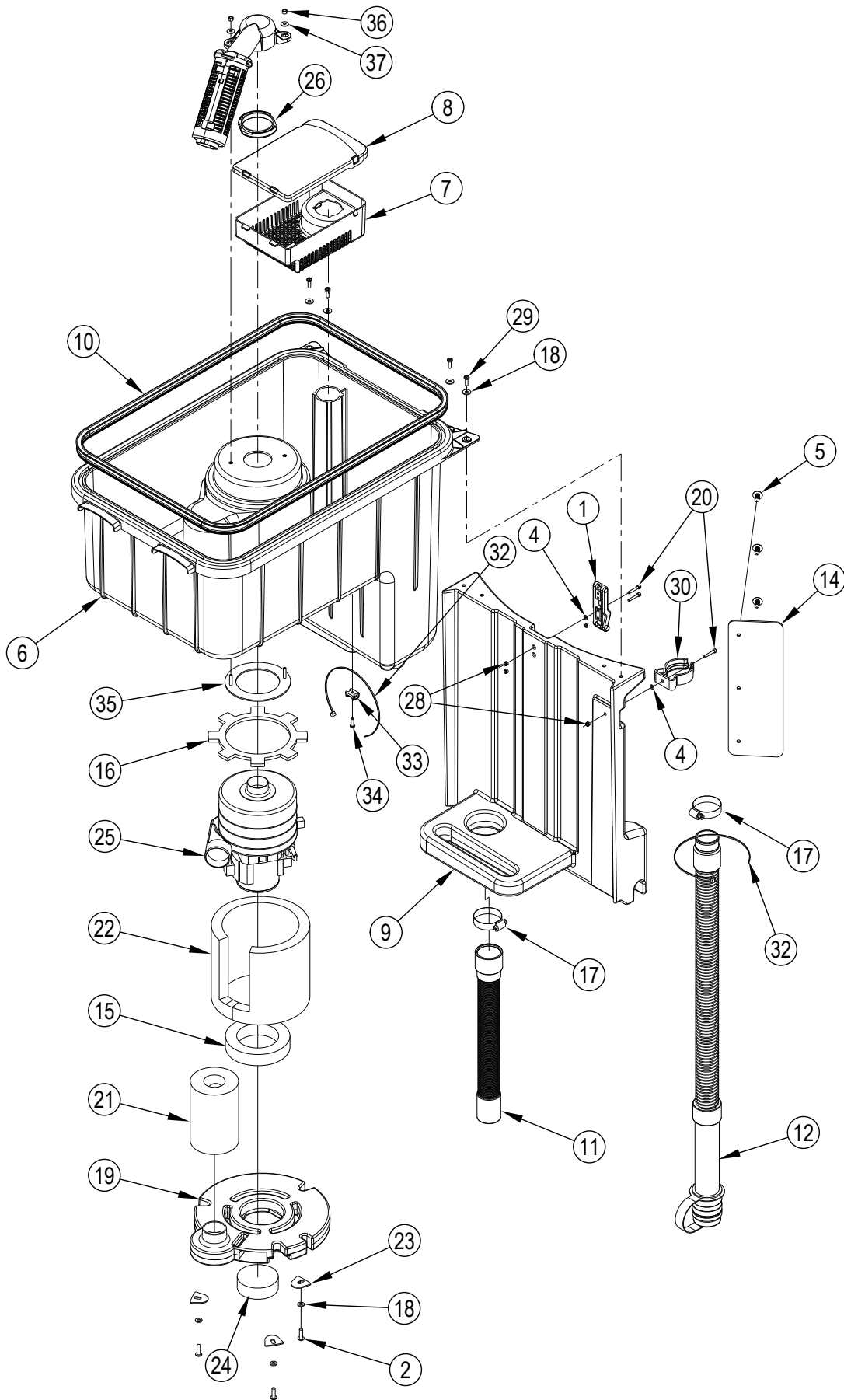
**ELECTRICAL SYSTEM**

<b>Kit</b>	<b>Item</b>	<b>Ref. No.</b>	<b>Qty</b>	<b>Description</b>
	1	56104423	1	Circuit Breaker 50 Amp <b>(CB1)</b>
K1	2		4	Washer, Flat 6.4x12.5
K1	3		3	Scr-Pan Phil 1/4-20 X .38
K1	4		5	Nut, Hex W/ Shprf 1/4-20
K1	5		3	Stud
	[6]	56104444	1	Harness-Main
K2	7		1	Interface Panel Assembly <b>(A1)</b>
	8	56104176	1	Solid State Relay <b>(K1)</b>
	9	56104193	1	Electrical Panel
	10	56104243	1	Speed Controller <b>(E1)</b>
	11	56104247	1	Disconnect-Emergency
	12	33003964	2	Screw M5x25 Hex HD F/THD ISO4017
	13	56002093	2	Scr-Hex 1/4-20 X 1.00
	14	56315255	1	Circuit Breaker, 5 Amp <b>(CB2)</b>
	15	56002708	2	Nut, Hex Nyl Loc 1/4-20
	16		1	Potentiometer, 100k <b>(R1 / part of Main harness)</b>
	17	56412089	1	Fuse, 150 Amp <b>(F1)</b>
	18	56413822	1	Circuit Breaker, 20 Amp <b>(CB3)</b>
	19	56469858	3	Electrical Mount
	20	56002859	5	Wsh-Flt SAE SS 1/4
	21	56509623	1	Circuit Breaker-25 Amp <b>(CB4)</b>
	22	56601183	1	Contacto 24v, 100 Amp <b>(K2)</b>
K1	23		2	Washer, Flat XI 5.5x15x1.2 Ss
K1	24		2	Viti Tcei/Scr, Soc Hd
K1	25		4	Scr, Pan Phil M5x16
	26	1462888000	1	Switch, Key With Water Proof Cup <b>(S1)</b>
	*	1462887000	1	Key 2 PCS
K1	27		4	Cover For Screw Tcb 4.8mm
	28	41217A	3	Cable, Battery Series
K1	29		2	Screw, M6 X 1.00 X 10MM Pan Head
K1	30		2	Scr, Pan Phil M4x10
	31	50962A	1	Knob, Speed Control
K1	32		2	Screw, Hex THD TO HD M5x12
	33	56009120	1	Scr Panphil SS Type B 1/4-14 X .62
	34	56265103	1	Rectifier 35 Amp <b>(D2)</b>
	35	1460497000	1	Screw Hex HD M4X16 SS
	36	56389265	1	Rectifier Assy. <b>(D1)</b>
	37	56104281	1	Cable-Power
	38	56303651	1	Clamp, Hose Support
	39	56385489	1	Harness-Battery Panel Assy
	40	56477613	1	Tie, Cable
	41	56486112	2	Clamp-P
	42	56496276	1	Clamp, Hose Support
	[ ]	56104425	1	Wire Assy White
	[ ]	56104424	1	Wire Assy Black
	[ ]	56090357	1	Instruction Sheet
<b>SERVICE KITS</b>				
K1	56104341	1	Electrical Hardware Kit	
K2	56104499	1	Control Board Kit	

[ ] = Not Shown

\* = Optional, Not Included

### RECOVERY SYSTEM





## RECOVERY SYSTEM

Kit	Item	Ref. No.	Qty	Description
K1	1		1	Latch, Draw
K7	2		3	Screw M6x20 Wn1451 Black Zn
K7	3			<b>DELETED</b>
K1,K5,K7	4		3	Washer, Flat 4.3x9
K7	5		3	Rivet, Nylon Tree Push-In (.25)
	6	56394039	1	Recovery Tank <b>NOTE 1</b>
K4	7		1	Debris Cage
K4	8		1	Debris Tray Cover
	9	56104158	1	Back Panel
	10	56104164	1	Gasket-Recovery Tank
	11	56104258	1	Vac Hose Assy
	12	56104285	1	Drain Hose
	[13]	56104306	1	Jumper Harness <b>TSB-FC-2016-266</b>
	14	56104443	1	Guard-Splash-4X12-Poly
K8	15		1	Gasket, Vacuum Motor
K6	16		1	Gasket, Vacuum Motor
	17	1450543000	2	Hose Clamp 14/32-52
K3,K7	18		7	Washer, Flat XI 5.5x15x1.2 SS
	19	9100001246	1	Cover Vacuum Motor
K1,K5,K7	20		3	Viti Tcei/Scr, Soc Hd
K8	21		1	Insulation Tube
K8	22		1	Panel, Acoustic Insulation
K7	23		3	Plate Cover
	24	56344168	1	Filter
K6	25		1	Vacuum Motor 3 Stage 24v ( <b>M4</b> )
K3	26		1	Gasket Float Support
K3	27		1	Float Cage-Complete
K1,K5,K7	28		3	Nut, Hex Nyl Loc Thin M4 Ss
K3,K7	29		4	Scr.Pan Phil M5x16 SS
K5	30		1	Clamp, Hose D.50
	31			Intentionally Omitted
	32	56478523	2	Tie, Cable
	33	9096595000	1	Flat Tie Holder
	34	9097919000	1	Screw Cyl Hd 5X16 Self L. Plas
	35	56385083	1	Tank Support Assembly
	36	56003975	2	Nut Hex Nyl Loc SS M5-0.8
	37	56009332	2	Wsh-Flt SS .202 X .562 X .040

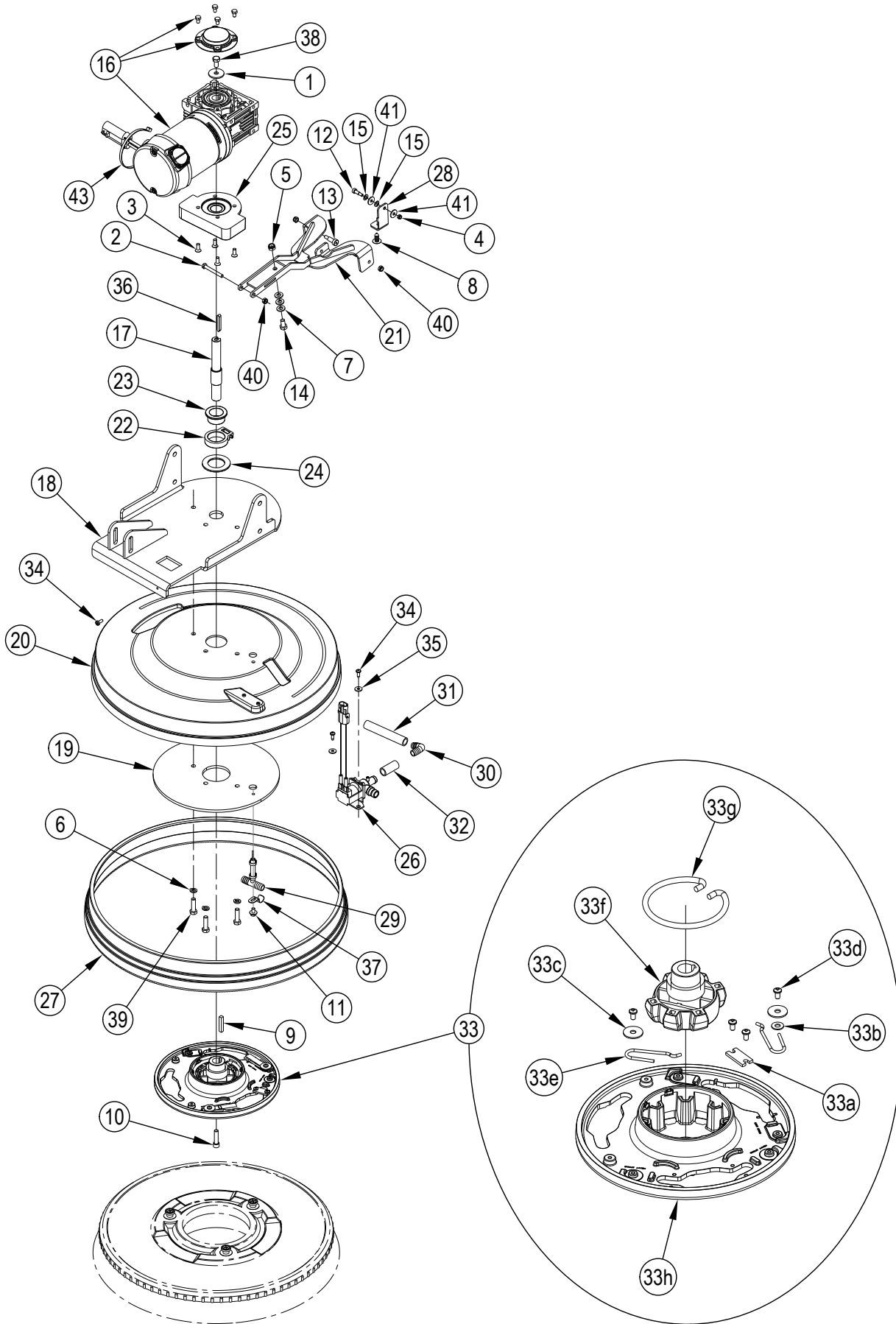
**SERVICE KITS**

K1	56104352	1	Draw Latch Kit
K3	56104359	1	Float Cage Kit
K4	56104360	1	Debris Cage Kit
K5	56104362	1	Hose Clamp Kit
K6	56104363	1	Vacuum Motor Kit
K7	56104364	1	Recovery Hardware Kit
K8	56104383	1	Vacuum Motor Insulation Kit

[ ] = Not Shown

**NOTE 1:** To replace an old style recovery tank (PN 56104051) order 56394063 Recovery Tank Kit.

### SCRUB SYSTEM-20D



### SCRUB SYSTEM-20D

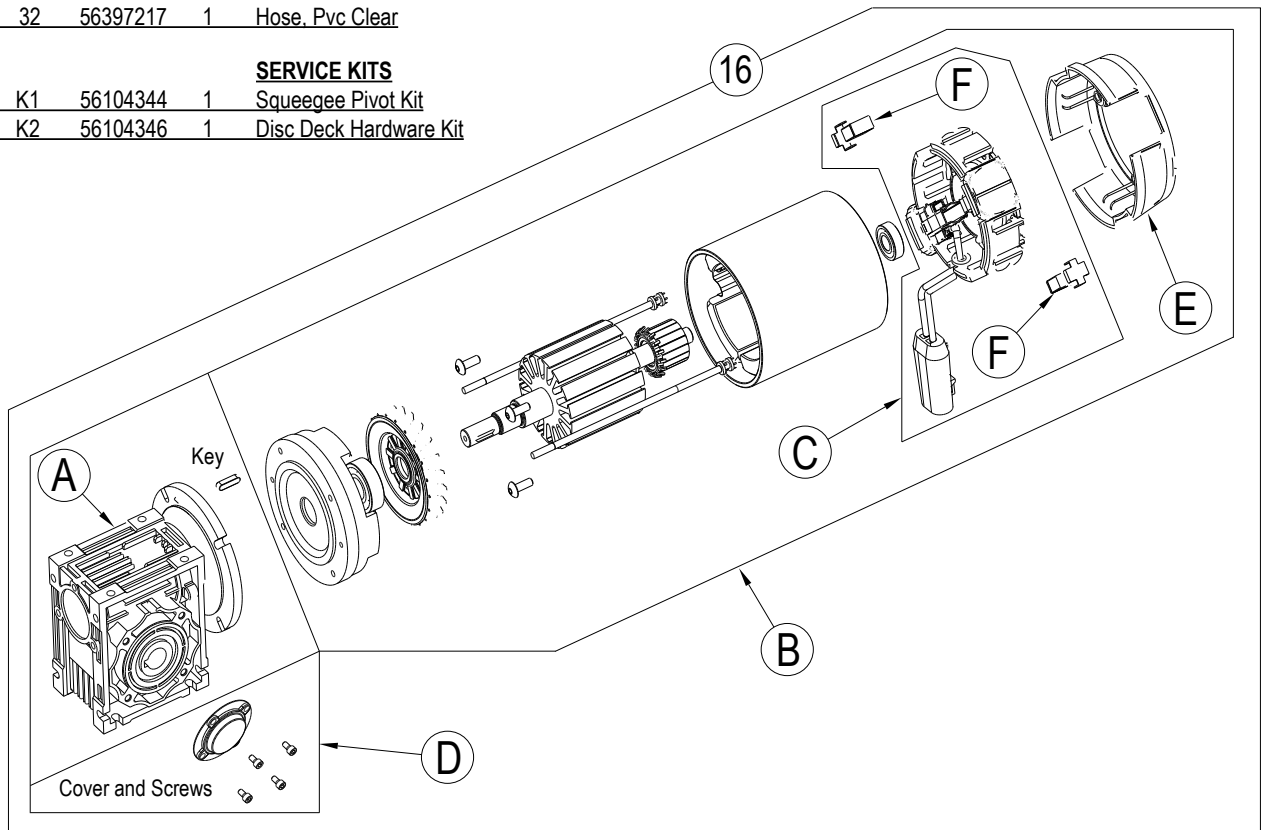
Kit	Item	Ref. No.	Qty	Description
K2	1		1	Washer 8x32x2.5uni6593 10 Pcs
K2	2		1	Screw, Hex Thd To Hd M6x50
K2	3		4	Screw, Flat Socket Head
K2	4		1	Nut, Hex Nyl Loc Thin M5
K2	5		1	Nut, Hex Nyl Loc Thin M8
K2	6		3	Washer M8 Uni1751b 10 Pcs Set
K2	7		3	Washer, Flat 8.4X16X1.6
K2	8		1	Rivet, Nylon Tree Push-In (.25)
K2	9		1	Key, Square .25 X 1.44
K2	10		1	Scr-Soc Hd 5/16-18 X 1.25 Zinc
K2	11		1	Scr-Hex Thd Form M6 X 10mm
K2	12		1	Scr-Soc Shd M6x12mm X M5-0.8
K2	13		2	Scr-Soc Shd M8x16mm X M6-1.00
K2	14	56003890	1	Scr-Hex Plastic M8-1.25 X 16MM
K2	15		2	Wsh, Bowed .266x.500x.060
	16	56104071	1	Disc Brush Motor (A-F) (M5)
	17	56104095	1	Shaft Disc Brush Motor
	18	56104117	1	Deck Lift Plate Weldment
	19	56104120	1	Lower Deck Plate
	20	56104121	1	Brush Housing
	21	56104126	1	Squeegee Link Weldment
K1	22		1	Squeegee Pivot Block
K1	23		1	Bearing Flange
K1	24		1	Squeegee Pivot Washer
	25	56104137	1	Spacer Motor
	26	56104169	1	Solenoid Valve Assy (L1)
	27	56104240	1	Skirt Brush
	28	56104241	1	Double Scrub Brkt
	29	56314983	1	Tee Assembly
	30	56386183	1	Barbed Elbow 90
	31	56384076	1	Hose-Pvc-.50x3.50
	32	56397217	1	Hose, Pvc Clear
	32	56397217	1	Hose, Pvc Clear

Kit	Item	Ref. No.	Qty	Description
	33	56601733	1	Brush Plate Assy Rt
	33a	56366455	1	Plate, Stop
K2	33b		1	Wsh, Fit Std #10
K2	33c		2	Wsh, Fit .266 X .906 X .060
K2	33d		4	Scr, Pan Phil Plastite 10-14 X .38
	33e	56109653	2	Spring Retainer
	33f	56112521	1	Gimbal-Collar Assembly
	33g	56601056	1	Spring, Brush Holder
	33h	56601118	1	Brush Plate
K2	34		2	Scr, Pan Hd Thd Form
K2	35		2	Washer, Flat XI 5.5X15X1.2 Ss
K2	36		1	Key
	37	9095483000	1	Hose Holder
K2	38		1	Screw, Hex Thd To Hd M8x16 Loctite
K2	39		3	Screw, Hex Thd To Hd M8x30 Ss
K2	40		3	Nut, Hex Nyl Loc Thin M6 Ss
K2	41		2	Washer, Flat XI Ss
K2	42		1	Screw Cyl Hd M5x12
K2	43	79	1	Tie 8 Black Weather Resi

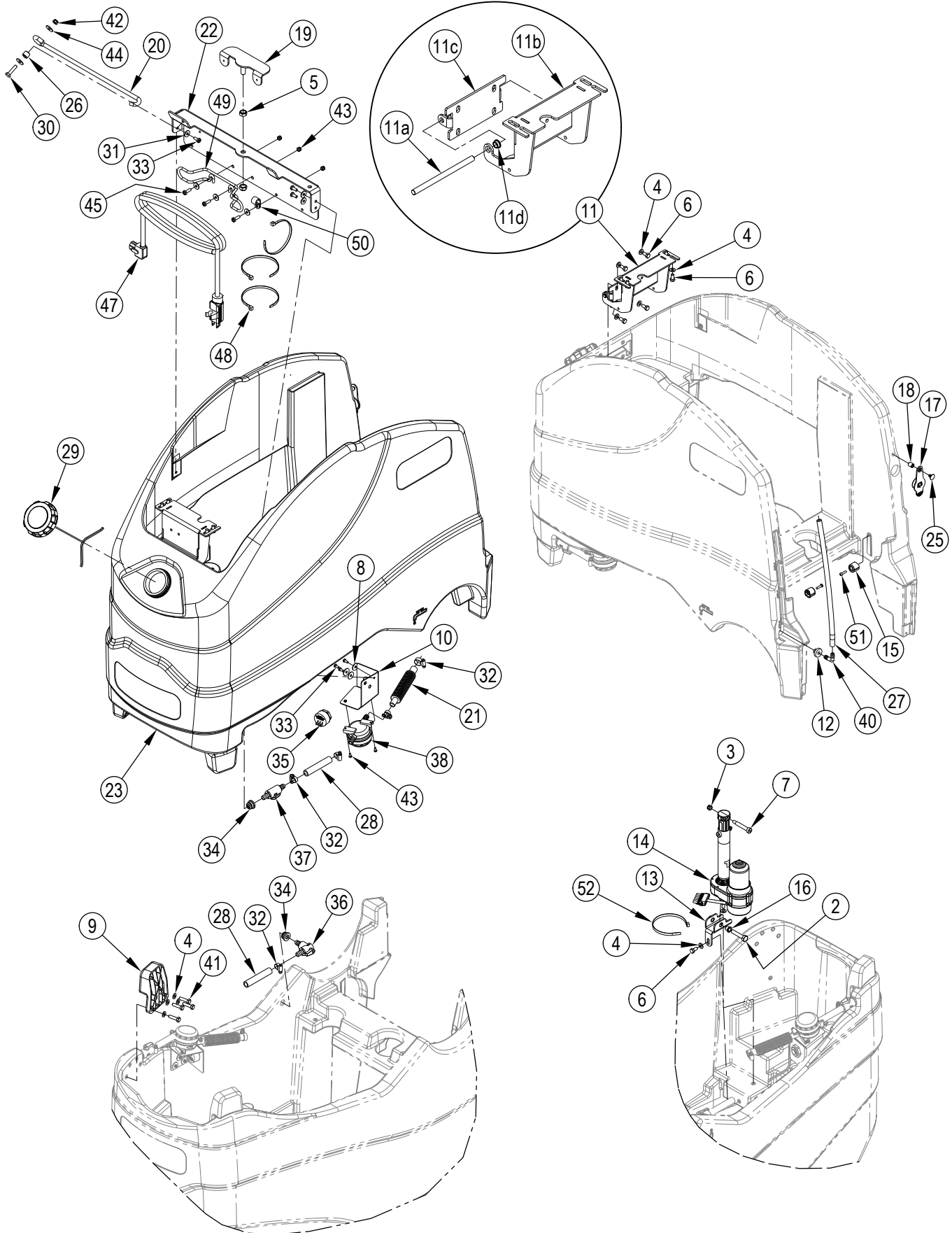
Kit	Item	Ref. No.	Qty	Description
	A	56104297	1	Motovario Gearbox 15/1
	B	56104298	1	Motor
	C	56104300	1	Brush Housing Assembly
	D	56601588	1	Cover And Screws
	E	56601508	1	Plastic Cover
	F	56601534	1	Carbon Brushes (2)

**SERVICE KITS**

K1	56104344	1	Squeegee Pivot Kit
K2	56104346	1	Disc Deck Hardware Kit



### SOLUTION SYSTEM



## SOLUTION SYSTEM

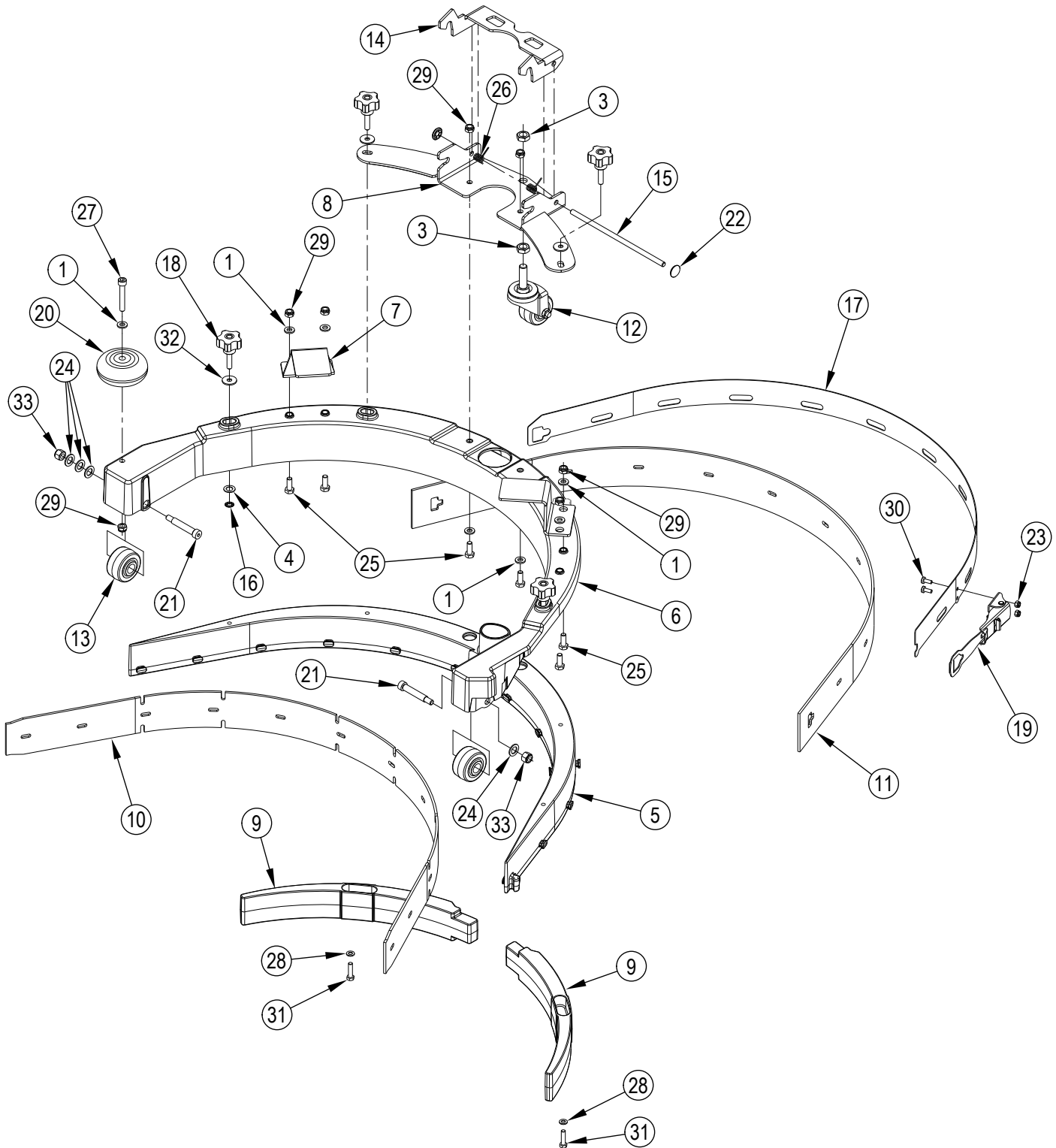
Kit	Item	Ref. No.	Qty	Description
K5,K7	2		1	Screw M10 x 50 Hex Hd F/Thd
K5,K7	3		1	Nut, Hex Nyl Loc Thin M8
K6,K7	4		18	Washer, Flat 8.4 x 16 x 1.6
K7	5		2	Nut, Hex Nyl Loc-Thin SS 3/8-16
K7	6		10	Scr-Hex M8-1.25 X 16mm
K5,K7	7		1	Scr-Soc Shd M10 x 50mm x M8-1.25
K7	8		3	Wsh, Flt .266 x .906 x .060
K6	9		2	Tip Pad
	10	56104165	1	Filter Bracket
	11		1	Hinge Assembly
	11a	56104206	1	Hinge Pin
	11b	56104207	1	Hinge Weldment
	11c	56104208	1	Hinge Bracket
	11d	56104249	2	Bearing Flange
	12	56104229	1	Grommet
	13	56104234	1	Actuator Brkt
K5	14		1	Actuator Assembly (M3) <b>TSB-FC-2016-271</b>
	15	56104308	2	Pivot Block
K5	16		1	Spacer Actuator
K4	17		1	Rubber Solution Cap
	18	56104390	1	Insert-Brass M8
	19	56104391	1	Adjustment Pad
	20	56104409	1	Prop Rod
K2	21		1	Hose Solution
	22	56104445	1	Bracket-Tank Support
	23	56104490	1	Solution Tank-Blue
	24			Intentionally Omitted
K4	25		1	Clip, Panel
K7	26		1	Bushing
	27	56393382	1	Hose-PVC Clear

Kit	Item	Ref. No.	Qty	Description
K1,K2	28		2	Hose, Spiral .500
	29	56510442	1	Cap-Extra Vent
K7	30		1	Screw M6 x 25 Hex Hd F/Thd SS
K7	31	1458280000	6	Washer, Plain M5 x 15 SS IS07093
K1,K2	32		5	Clamp, Hose
K7	33		6	Screw, M5 X 12 P.H.S.S.
K1,K2	34		2	Gasket
	35	9096126000	1	Buzzer 5-32V (H1)
K1	36		1	Ball Valve 90°
K2	37		1	Ball Valve
K3	38		1	Filter Water
	39		1	Intentionally Omitted
	40	51526A	1	Hosebarb, 90 Degree
K6,K7	41		8	Screw M8 x 30 Hex Hd F/Thd SS
K7	42		1	Nut, Hex Nyl Loc Thin M6 SS
K3,K7	43		2	Scr, Pan Phil M4 x 10 SS
K7	44		2	Washer Flat XI 6 x 18 x 1.5 - SS
K7	45		3	Scr, Pan Phil M5 x 16 SS
	46	33005603	3	Nut, Loc Hex M5 Low ISO10511
	47	56383866	1	Cord-AC Nema IEC320 - Deltaq
	48	56478523	3	Tie, Cable
	49	9095149000	1	Cable Support
	50	L08603845	1	Clamp, Cable 012.7
	51	80205A	2	Screw M5-.8 X 20mm P.P.Hd
	52	56477613	1	Cable Tie E00549 Re409s

**SERVICE KITS**

K1	56104349	1	Solution Drain Kit
K2	56104350	1	Solution Hose Kit
K3	56104351	1	Solution Filter Kit
K4	56104354	1	Solution Cap Kit
K5	56104356	1	Actuator Kit
K6	56104357	1	Tip Pad Kit
K7	56104358	1	Solution Hardware Kit

### SQUEEGEE SYSTEM



**SQUEEGEE SYSTEM**

<b>Kit</b>	<b>Item</b>	<b>Ref. No.</b>	<b>Qty</b>	<b>Description</b>
K3,K4,K6	1		7	Washer, Flat 6.4X12.5 S.S.
	2			<b>DELETED</b>
K4,K6	3		2	Nut-Hex Jam Ss 3/8-16
K4,K5	4		4	Wsh-Flt .328 X .563 X .031
K4	5		1	Squeegee Casting <b>NOTE 2</b>
K4	6	56104989	1	Squeegee Cover
K4	7		2	Squeegee Lift Bracket
K4,K8	8		1	Squeegee Bracket Weldment
K4	9		2	Squeegee Plate
K2,K4	10		1	Blade-Squeegee Linatex Front <b>NOTE 1</b>
K1	*		1	Blade-Squeegee Pu Front <b>NOTE 1</b>
K2,K4	11		1	Blade-Squeegee Linatex Rear <b>NOTE 1</b>
K1	*		1	Blade-Squeegee Pu Rear <b>NOTE 1</b>
K4,K6	12	56104231	1	Caster Wheel <b>TSB-FC-2015-024</b>
K4,K6	13		2	Roller Wheel
K4,K8	14		1	Squeegee Mount Brkt
K4,K8	15		1	Pivot Pin
K4,K5	16		4	Retaining Ring
K4,K7	17		1	Strap-Squeegee Rear
K4,K5	18		4	Knob
K4,K7	19		1	Latch-T Tab Assy
K4,K6	20		1	Roller Wheel
K4,K6	21		2	Bolt Shoulder 5/16 X 1 1/2
K4,K8	22		2	Pin Cover-6mm
K4,K7	23		2	Nut, Hex Nyl Loc Thin M4 Ss
K4,K6	24		3	Spacer .625x.375x.047 Stl/Znc
K3,K4	25#		6	Screw, Hex Thd To Hd M6x16 SS
K4,K8	26		2	Spring Acc. Lid Lh
K4,K6	27		1	Screw Soc. Hd M6X45
K3,K4	28		2	Washer, Flat 5.3X10X1 Ss
K3,K4,K6	29		7	Nut, Hex Nyl Loc Thin M6 Ss
K4,K7	30		2	Scr. Pan Phil M4x10 Ss
K3,K4	31		2	Screw, Hex Thd To Hd M5x20 SS
K4,K5	32	L08603689	4	Flat Washer M6 X 18 SS
K4,K6	33		2	Nut Hex Nyl Loc Ss 1/4-20

**SERVICE KITS**

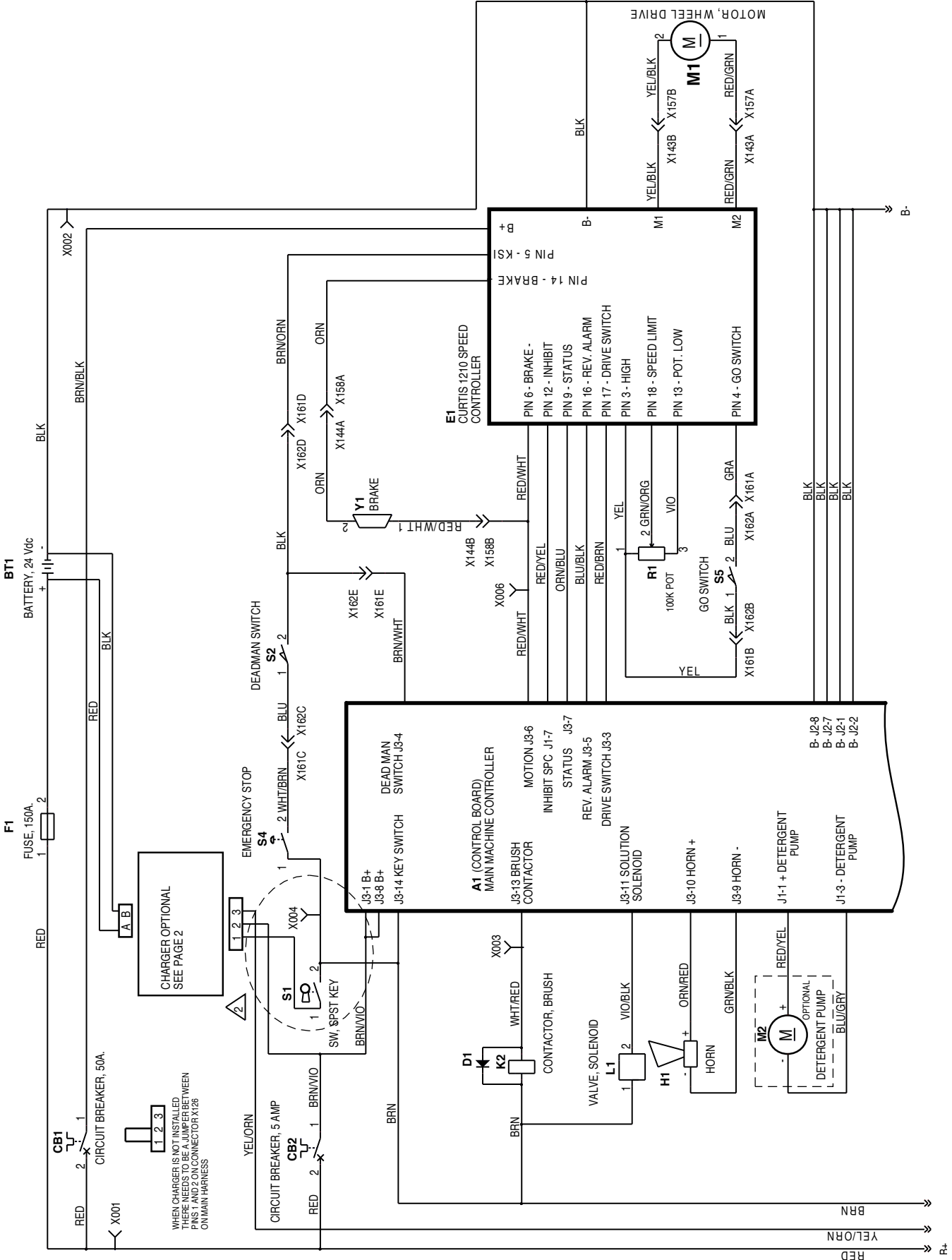
K1	56104325	1	Squeegee Kit - Blade PU
K2	56104483	1	Squeegee Kit - Blade Linatex
K3	56104327	1	Squeegee Hardware Kit
K4	56104378	1	Squeegee Assy Kit
K5	56104429	1	Squeegee Knobs Kit
K6	56104385	1	Squeegee Wheels Kit <b>TSB-FC-2017-025</b>
K7	56104386	1	Squeegee Strap Kit
K8	56104387	1	Squeegee Mount Brkt Kit

\* = Optional, Not Included

# = Revised or new since last update

**NOTE 1:** All squeegee blade kits include both front and rear squeegee blades.**NOTE 2:** The squeegee casting is not available for sale separately. If you need to replace it please order the Squeegee Assy Kit 56104378.

LADDER DIAGRAM-1





## LADDER DIAGRAM-1

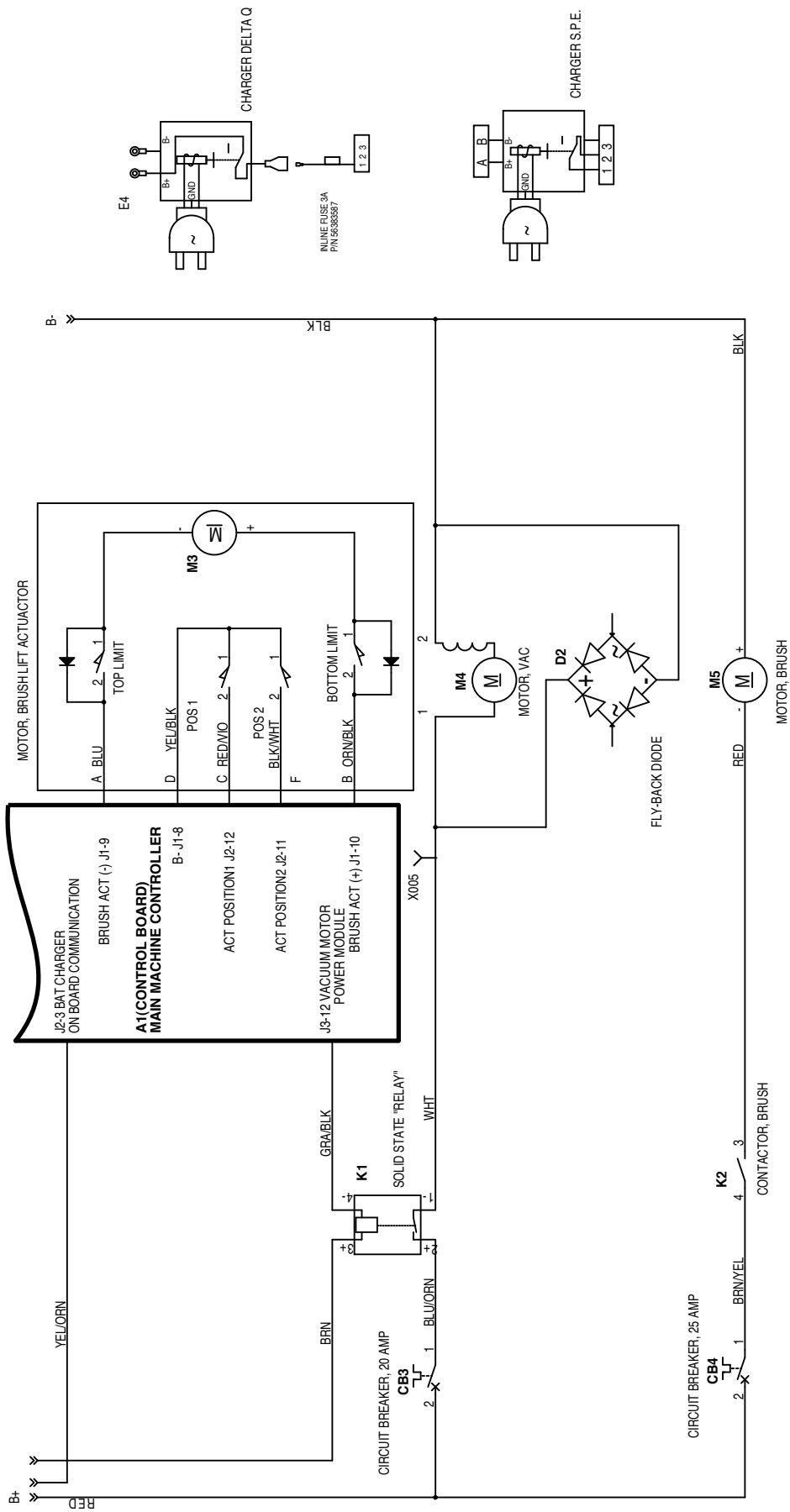
Item	Ref. No.	Qty	Description
A1			Control Board
BT1			Battery
CB1	56104423	1	Circuit Breaker 50A ( <b>Drive Wheel</b> )
CB2	56315255	1	Circuit Breaker 5 Amp ( <b>Control Circuit</b> )
CB3	56413822	1	Circuit Breaker 20 Amp ( <b>Vacuum Motor</b> )
CB4	56509623	1	Circuit Breaker-25 Amp ( <b>Brush Motor</b> )
D1	56389265	1	Rectifier Assy.
D2	56265103	1	Rectifier 35 Amp
E1	56104243	1	Speed Controller
E2	56383856	1	Battery Charger 24v 25a
F1	56412089	1	Fuse 150 Amp
H1	9096126000	1	Buzzer 5-32v
K1	56104176	1	Solid State Relay
K2	56601183	1	Contactoer 24v 100 Amp
L1	56104169	1	Solenoid Valve Assembly
M1		1	Drive Wheel Motor
M2	56315241	1	Pump Chemical
M3	56104356	1	Actuator Kit ( <b>Motor Brush Lift Actuator</b> )
M4	9097556000	1	Motor Vacuum 3st 24v 420w
M5	56104071	1	Disc Brush Motor ( <b>20D</b> )
R1		1	Potentiometer 100k ( <b>Speed Adjustment / part of Main harness</b> )
S1	1462888000	1	Switch Key with Cap
*	1462887000	1	Key 2 PCS
S2		1	Switch-Sealed ( <b>part of Switch Harness 56104406</b> )
S4	56104247	1	Disconnect-Emergency
S5		1	Switch-Sealed ( <b>part of Switch Harness 56104406</b> )
Y1			Electrical Brake ( <b>part of Drive Wheel Motor M1</b> )

\* = Optional, Not Included

## Color Codes

BLK	Black
BLU	Blue
BRN	Brown
GRA	Gray
GRN	Green
ORN	Orange
PINK	Pink
RED	Red
TAN	Tan
VIO	Violet
WHT	White
YEL	Yellow

### LADDER DIAGRAM-2



## LADDER DIAGRAM-2

Item	Ref. No.	Qty	Description
A1			Control Board
BT1			Battery
CB1	56104423	1	Circuit Breaker 50A (Drive Wheel)
CB2	56315255	1	Circuit Breaker 5 Amp (Control Circuit)
CB3	56413822	1	Circuit Breaker 20 Amp (Vacuum Motor)
CB4	56509623	1	Circuit Breaker-25 Amp (Brush Motor)
D1	56389265	1	Rectifier Assy.
D2	56265103	1	Rectifier 35 Amp
E1	56104243	1	Speed Controller
E2	56383856	1	Battery Charger 24V 25A
F1	56412089	1	Fuse 150 Amp
H1	9096126000	1	Buzzer 5-32V
K1	56104176	1	Solid State Relay
K2	56601183	1	Contactactor 24V 100 Amp
L1	56104169	1	Solenoid Valve Assembly
M1	56104074	1	Drive Wheel Motor
M2	56315241	1	Pump Chemical
M3	56104356	1	Actuator Kit (Motor Brush Lift Actuator)
M4	9097556000	1	Motor Vacuum 3st 24v 420w
M5	56104071	1	Disc Brush Motor (20D)
R1		1	Potentiometer 100k (Speed Adjustment / part of Main harness)
S1	1462888000	1	Switch Key with Cap
*	1462887000	1	Key 2 PCS
S2		1	Switch-Sealed (part of Switch Harness 56104406)
S4	56104247	1	Disconnect-Emergency
S5		1	Switch-Sealed (part of Switch Harness 56104406)
Y1			Electrical Brake (part of Drive Wheel Motor M1)

\* = Optional, Not Included

## Color Codes

BLK	Black
BLU	Blue
BRN	Brown
GRA	Gray
GRN	Green
ORN	Orange
PINK	Pink
RED	Red
TAN	Tan
VIO	Violet
WHT	White
YEL	Yellow

**OPTIONAL KITS AND ACCESSORIES**

<b>Item</b>	<b>Ref. No.</b>	<b>Qty</b>	<b>Description</b>
<b>Kits</b>			
*	56104374	1	Shelf Charger US Kit
*	56104437	1	Shelf Charger Adapter Kit
*	56104499	1	Control Board Kit
*	56385105	1	Tank Support Kit
*	56394063	1	Recovery Tank Kit
<b>Squeegee Blade Kits (See Squeegee Blade Selector Guide)</b>			
	56104325	1	Squeegee Kit - Blade PU <b>NOTE 1</b>
*	56104483	1	Squeegee Kit - Blade Linatex <b>NOTE 1</b>
<b>Accessories</b>			
*	56397453	1	Indicator Battery Level
*	56383571	1	Programmer-User
*	56383572	1	Programmer Cable-Molex
*	56104190	1	Ecoflex Bottle Assy
*	56044709	1	Literature Pack
<b>20" Disk Scrub Brushes (See Brush Selector Guide)</b>			
*	56505790	1	Pad Holder-20 3 Lug
*	56505791	1	Disc Brush-20 Magnagrit 3 Lug
*	56505792	1	Disc Brush-20 Dyna Grit 3 Lug
*	56505793	1	Disc Brush-20 Aglite 3 Lug
*	56505794	1	Disc Brush-20 Prolene 3 Lug
*	56505795	1	Disc Brush-20 Prolite 3 Lug
*	56505796	1	Disc Brush-20 Union Mix 3 Lug
*	56505797	1	Disc Brush-20 Midgriit 3 Lug
*	56505798	1	Disc Brush-20 Midlite 3 Lug
*	976170	1	Pads Cs 20 Black Thin ( <b>Qty 5</b> )
*	976070	1	Pads Cs 20 Brown 51 ( <b>Qty 5</b> )
*	976069	1	Pads Cs 20 Blue 51 ( <b>Qty 5</b> )

\* = Optional, Not Included

**NOTE 1:** All squeegee blade kits include both front and rear squeegee blades.

### RECOMMENDED SPARE PARTS

Item	Ref. No.	Qty	Description
<b>CHASSIS SYSTEM</b>			
<b>Ordinary Maintenance</b>			
O	56385136		Harness-Drive Motor Kit
O	56104269		Sprocket-11 Tooth
O	56104407		Bearing-Flange
O	56104331		Rear Wheel Kit
O	56104338		Wheel And Bearing Kit
O	56104435		Sprocket And Chain Kit (used w/56104431)
O	56104339		Sprocket And Chain Kit (used w/56104058)
<b>Extra-Ordinary Maintenance</b>			
E	56104091		Mounting Tab
E	56104094		Bar Linkage
E	56104105		Battery Tray
E	56104130		Steering Shaft
E	56104135		Link Bar
E	56104148		Steering Shaft Weldt
E	56104151		Spindle Mount Weldment
E	56104157		Collar
E	56104448		Chassis Weldment
E	56314032		Block Bearing
E	56112544		Battery Charger 24v 25a
E	56104328		Universal Joint Kit
E	56104332		Bearing Block Kit
E	56104333		Chassis Hardware Kit
E	56104336		Drive Wheel Motor Kit
E	56104340		Drive Wheel Hardware Kit
E	56104384		Front Wheel Bearings Kit
<b>CONTROL SYSTEM</b>			
<b>Normal Wear</b>			
W	56104270		Chain-Roller
<b>Extra-Ordinary Maintenance</b>			
E	56104053		Control Panel
E	56104196		Shaft Steering
E	56104265		Shaft Hex
E	56104410		Bracket-Prop Rod
E	56601060		Steering Wheel
E	56104058		Drive Wheel Frame Weldt
E	56104077		Spindle Weldt
E	56104115		Steering Plate
E	56104328		Universal Joint Kit
E	56104352		Draw Latch Kit
E	56104365		Control Hardware Kit
<b>ELECTRICAL SYSTEM</b>			
<b>Extra-Ordinary Maintenance</b>			
E	56104423		Circuit Breaker 50 Amp
E	56104444		Harness-Main
E	56104176		Solid State Relay
E	56104193		Electrical Panel
E	56104243		Speed Controller
E	56104247		Disconnect-Emergency
E	56104281		Cable-Power
E	56112354		Handle
E	56315255		Circuit Breaker, 5 Amp
E	56409485		Cable, Battery
E	56412089		Fuse, 150 Amp
E	56413822		Circuit Breaker, 20 Amp
E	56469858		Electrical Mount
E	56509623		Circuit Breaker-25 Amp
E	56601172		Connector Assy
E	56601183		Contacto 24v, 100 Amp
E	1462888000		Switch, Key With Water Proof Cup
E	1462887000		Key 2 PCS
E	L08812063		Terminal Clamp Batt
E	L08812064		Terminal Clamp Batt
E	50962A		Knob, Speed Control
E	2-00-05171		Boot, Protective (Red)

Item	Ref. No.	Qty	Description
<b>ELECTRICAL SYSTEM CONTINUED</b>			
<b>Extra-Ordinary Maintenance</b>			
E	2-00-05173		Battery Insulator
E			Deleted
E			Deleted
E	56372673		Boot-Battery Post
E	56478246		Tie, Cable
E	41217A		Cable Battery Kit 14662B
E	56104341		Electrical Hardware Kit
E	56104499		Control Board Kit
E	56104372		Interface Panel Kit
<b>PLATFORM ASSEMBLY</b>			
<b>Ordinary Maintenance</b>			
O	56104406		Switch Harness
<b>Extra-Ordinary Maintenance</b>			
E	56104052		Platform-Upper
E	56104185		Pedal-Safety
E	56104186		Foot Pedal
E	56104187		Platform-Bottom
E	56104277		Compression Spring
E	56158690		Grommet
E	56331006		Grommet
E	56104417		Platform Hardware Kit
<b>RECOVERY SYSTEM</b>			
<b>Ordinary Maintenance</b>			
O	56104164		Gasket-Recovery Tank
O	56104258		Vac Hose Assy
O	56104285		Drain Hose
O	9096672000		Filter
<b>Extra-Ordinary Maintenance</b>			
E	56104051		Recovery Tank
E	56104158		Back Panel
E	56104306		Jumper Harness
E	56104443		Guard-Splash-4X12-Poly
E	1450543000		Clamp, Hose 14/32-52
E	9100001246		Cover, Vac
E	56104352		Draw Latch Kit
E	56104359		Float Cage Kit
E	56104360		Debris Cage Kit
E	56104362		Hose Clamp Kit
E	56104363		Vacuum Motor Kit
E	56104364		Recovery Hardware Kit
E	56104383		Vacuum Motor Insulation Kit
<b>SCRUB SYSTEM-20D</b>			
<b>Ordinary Maintenance</b>			
O	9095483000		Hose Holder
O	56601534		Carbon Brushes (2)
<b>Extra-Ordinary Maintenance</b>			
E	56104071		Disc Brush Motor
E	56104095		Shaft Disc Brush Motor
E	56104117		Deck Lift Plate Weldment
E	56104120		Lower Deck Plate
E	56104121		Brush Housing
E	56104126		Squeegee Link Weldment
E	56104137		Spacer Motor
E	56104169		Solenoid Valve Assy
E	56104240		Skirt Brush
E	56104241		Double Scrub Brkt
E	56314983		Tee Assembly
E	56386183		Barbed Elbow 90
E	56384076		Hose-Pvc-.50x3.50
E	56397217		Hose, Pvc Clear
E	56601733		Brush Plate Assy Rt
E	56366455		Plate, Stop
E	56109653		Spring Retainer
E	56112521		Gimbal-Collar Assembly
E	56601056		Spring, Brush Holder
E	56601118		Brush Plate

## RECOMMENDED SPARE PARTS CONTINUED

Item	Ref. No.	Qty	Description
<b>SCRUB SYSTEM-20D CONTINUED</b>			
E	56104297		Motovario Gearbox 15/1
E	56104298		Motor
E	56104300		Brush Housing Assembly
E	56601588		Cover And Screws
E	56601508		Plastic Cover
E	56104344		Squeegee Pivot Kit
E	56104346		Disc Deck Hardware Kit
E	56104347		Disc Deck Assy 20 Kit
<b>SOLUTION SYSTEM</b>			
<b>Extra-Ordinary Maintenance</b>			
E	56104050		Solution Tank
E	56104165		Filter Bracket
E	56104194		Support Brkt
E	56104206		Hinge Pin
E	56104207		Hinge Weldment
E	56104208		Hinge Bracket
E	56104249		Bearing Flange
E	56104229		Grommet
E	51526A		Hosebarb 3/8 X 90 Deg
E	56104234		Actuator Brkt
E	56104308		Pivot Block
E	56104390		Insert-Brass M8
E	56104391		Adjustment Pad
E	56104409		Prop Rod
E	56393382		Hose-Pvc Clear
E	56477613		Tie, Cable
E	56601599		Cap - Raw With Tether
E	9096126000		Buzzer 5-32v
E	56104189		Insert-Dry Break
E	56104408		Chemical Bottle Assembly
E	56314942		Hose, Chem Resistant
E	56314991		Hose, Chem Resistant 14"
E	56315241		Pump, Chemical
E	56383385		Cord Charger Yellow US
E	9100001512		Cap, Plastic F Chemical Tank
E	56315523		Cap, Dry Break, 1/8 Barb, 90
E	9095149000		Cable Support
E	56104349		Solution Drain Kit
E	56104350		Solution Hose Kit
E	56104351		Solution Filter Kit
E	56104354		Solution Cap Kit
E	56104356		Actuator Kit
E	56104357		Tip Pad Kit
E	56104358		Solution Hardware Kit

Item	Ref. No.	Qty	Description
<b>SQUEEGEE SYSTEM</b>			
<b>Normal Wear</b>			
W	56104325		Squeegee Kit - Blade PU
W	56104483		Squeegee Kit - Blade Linatex
W	56104385		Squeegee Wheels Kit
<b>Extra-Ordinary Maintenance</b>			
E	56104327		Squeegee Hardware Kit
E	56104378		Squeegee Assy Kit
E	56104429		Squeegee Knobs Kit
E	56104386		Squeegee Strap Kit
E	56104387		Squeegee Mount Brkt Kit
<b>DECAL SYSTEM</b>			
<b>Extra-Ordinary Maintenance</b>			
E	56104497		SA40 Decal Kit
<b>ACCESSORY / OPTIONS</b>			
<b>Extra-Ordinary Maintenance</b>			
E	56104374		Shelf Charger US Kit

## BRUSH SELECTOR GUIDE

We provide brushes and pad holders that will give you the best possible performance between machine and floor. Following are descriptions of the materials and their applications.

- Soft Nylon:** Bristles are made from light-duty polypropylene for general scrubbing when you do not want to scratch or remove finish from the floor. Recommended for use in place of red pads.
- Poly:** Polypropylene material for medium-duty scrubbing on concrete, terrazzo and vinyl floor tile. Recommended for use in place of green or blue pads.
- Lite Grit:** For light scrubbing when used wet; buffing or polishing when used dry on urethane coated, sealed concrete or other resilient hard surface floors. Recommended for use in place of red or white pads.
- Medium Grit:** For general purpose scrubbing of sealed or unsealed concrete, stone, terrazzo, quarry tile and other resilient hard floor surfaces. Recommended for use in place of green or blue pads.
- Heavy Grit:** For aggressive, heavy-duty scrubbing or stripping of floors. Recommended for use in place of brown pads.

### 20" Disk Scrub Brushes

- 56505790 - Pad Holder
- 56505791 - Magnagrit
- 56505792 - Dyna Grit
- 56505793 - Aglite
- 56505794 - Prolene
- 56505795 - Prolite
- 56505796 - Union Mix
- 56505797 - Midgrit
- 56505798 - Midlite
- 976170 - Pads Cs 20 Black Thin (Qty 5)
- 976070 - Pads Cs 20 Brown 51 (Qty 5)
- 976069 - Pads Cs 20 Blue 51 (Qty 5)

### DISC BRUSH APPLICATION GUIDE (SUGGESTION ONLY)

Application	Heavy Grit	Medium Grit	Lite Grit	Poly	Soft Nylon
<b>Stripping:</b>					
Concrete	X				
Terrazzo	X				
Ceramic/Quarry tile	X				
Vinyl tile	X				
<b>General Scrubbing:</b>					
Concrete	X	X	X	X	
Terrazzo		X	X	X	
Ceramic/Quarry tile		X	X	X	
Marble			X	X	X
Vinyl tile		X	X	X	
Raised-rubber tile			X	X	X

**SQUEEGEE BLADE SELECTOR GUIDE**

Red Gum Rubber: Provides longest life on finished or unfinished concrete floors.

Polyurethane: Oil resistance provides superior life in applications with oily floors.

<b>Performance Traits</b>	<b>Red Gum Rubber (Natural Rubber)</b>	<b>Polyurethane/ Pentathane</b>
Tear Strength	X	X
Abrasion Resistance	X	X
<b>Applications</b>		
Oil Resistant Applications		X
<b>Appearance</b>	Red	Translucent









**Clarke®**

9435 Winnetka Ave North  
Minneapolis, MN 55445

[www.clarkeus.com](http://www.clarkeus.com)

Phone: 800-253-0367

Fax: 800-825-2753

©2020 Nilfisk, Inc.

---

**A Nilfisk Brand**