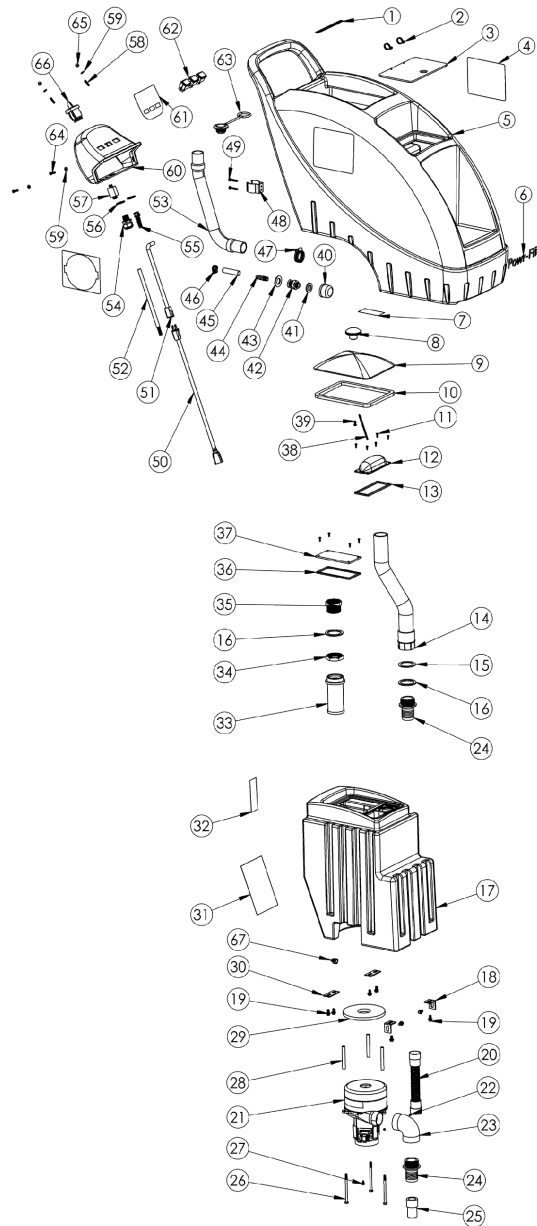


PFX900S

TABLE OF CONTENTS

5 Dec 2023 PFX900S Tanks	3
7 Aug 2023 PFX900S Chassis Assembly	7
PFX900S Cover Shot	11
PFX900S 'S' Brush Assembly	13
PFX900S 'S' Tanks	16
PFX900S 'S' Chassis Assembly	20
Accessories and Consumables	23

5 Dec 2023 PFX900S Tanks



Rendered by LeadVenture, Inc.

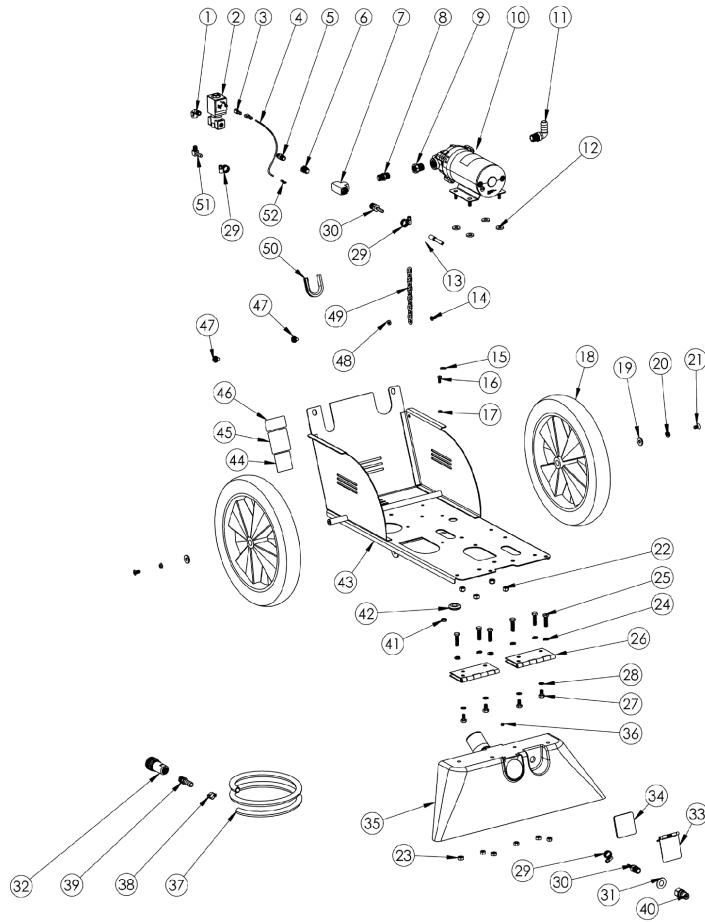
5 Dec 2023 PFX900S Tanks

Ref Number	Part Number	Part Description	Context Notes	Quantity
1	X9134	Brush Warning Label		1
2	X8150	Cable Tie 11" (Black)		2
3	X9081	Solution Tank Lid		1
4	X9206	Side Label		2
5	X9042REPRO	Housing, Solution Black SCE		1
6	X8401A	Powrflite Label w/o Shadow		1
7	X9003	Defoamer Warning Label		1
8	X9110	Large Dome Lid Knob		1
9	X9034-C	Large Dome Cover w/Gasket		1
10	X9120-2	Large Dome Spacer Gasket		1
11	X8261SS	Screw #6 x 1/2" SS		9
12	X9033	Small Dome		1
13	X9071	Small Dome Gasket		1
14	X9129-SUB	Standpipe Sub Assembly		1
15	18886	Washer		1
16	PX14A	Gasket		2
17	X9041REPRO	Recovery Tank		1
18	X9086	Bracket		2
19	X8209S	Bolt 1/4-20 x 1/2" Self Locking Flange		8
20	X9092	Hose 1-1/2" x 21" w/Cuffs		1
21	X1038	3 Stage Vacuum Motor		1
22	X8222	Set Screw 1/4-20 x 3/16" w/Loc-Tite		2
23	PX11A	Plastic Elbow Fitting 90° 1-1/2" FPT x 1-1/2" Slip		1
24	PX25	Plastic Bulkhead Fitting 1-1/2" MPT x 1-1/2" HB		2
25	K1123	Hose Expander 1-1/4" to 1-1/2"		1

Ref Number	Part Number	Part Description	Context Notes	Quantity
26	17645	Screw 1/4-20 x 4"		3
27	19565	Screw #10-16 x 1/2"		1
28	30070	Spacer		3
29	X9079	Gasket		1
30	X9085	Bracket, Tank Mount SCE		2
31	X9057	Operating Instruction Label (PFX 900S)		1
32	X9125-1	Tank Capacity Label		1
33	X9053	Float Cage w/Neck and Heavy Ball		1
34	PX46	Lock Nut		1
35	X9075	Bushing		1
36	X9084	Gasket, Cover SCE		1
37	X9080	Float Cover		1
38	X9068	Chain, 12 inch SS		1
39	7BS001	Screw 10-24 x 1/2"		1
40	X9294	Filter		1
41	PX48G	Fiber Gasket		1
42	PX48	Brass Bulkhead Fitting 3/4"		1
43	72274A	Neoprene Washer		1
44	7AT004	Hose Barb 1/2" Barb x 1/4" MPT		1
45	70079C	Wire Reinforced Hose 1/2"		22
46	7DL008	Hose Clamp		2
47	7DL005	Hose Clamp		1
48	72173A	Spring Clip		1
49	X9098	Screw #10 x 1"		2
50	32217	Extension Cord 14/3 x 50' Yellow		1
51	72315A	Yellow Pigtail Cord 21-3/4" x 12/3 SJTW		1

Ref Number	Part Number	Part Description	Context Notes	Quantity
52	X9841	Wire Harness		1
53	PAS37	Drain Hose		1
54	PD8	Strain Relief		1
55	X8008P	Strain Relief, Plastic		1
56	X8008N	Steel Conduit Lock Nut 1/2"		2
57	X1192	Circuit Breaker 2.5A		1
58	X9135	Screw 10-32 x 7/8"		2
59	7CM003	Washer		4
60	X9043REPRO	Control Panel Housing		1
61	X9093	Switch Panel		1
62	X9007	Rocker Switch		3
63	PAS36	Drain Hose Plug w/Strap		1
64	7BR005	Screw 10-32 x 3/4"		2
65	7DN004	Nut		2
66	X9200	Rocker Switch w/Paddle		1
67	X9111	Cord Clamp		1

7 Aug 2023 PFX900S Chassis Assembly



Rendered by LeadVenture, Inc.

7 Aug 2023 PFX900S Chassis Assembly

Ref Number	Part Number	Part Description	Context Notes	Quantity
1	SW139	Brass Street Elbow 90° 3/8" MPT x 1/2" FPT		1
2	SW290	Solenoid Valve 120 VAC 290 P.S.I.		1
3	F25	Female Terminal		2
4	M1361YG	Wire, 14 Gauge Yellow W/Green Stripe		8
5	7CX001	Nipple 1/8" MPT x 1/8" MPT		1
6	7AG002	Bushing 1/4" MPT x 1/8" FPT		1
7	7AV001	Tee Union 1/4" FPT		1
8	7CX002	Nipple Hex 1/4" MPT		1
9	X2198	Nylon Reducer 3/8" MPT x 1/4" FPT		1
10	AQ120	Pump 120 PSI		1
11	X2196	Nylon Elbow 3/8" MPT x 1/2" HB		1
12	72667A	Rubber Washer		4
13	71817A	Braided Hose 1/4" 250 PSI		22
14	72091A	Screw 10-24 x 3/8"		1
15	X9214	Ground Symbol Label		1
16	71651A	Screw 10-32 x 1/2"		1
17	7CY001	Internal Tooth #10 Lock Washer		1
18	X9066	Wheel 12" x 1-3/4"		2
19	X8020	Countersunk Washer		2
20	X8212	Lock Washer		2
21	X8265	Screw 1/4-20 x 3/4"		2
22	X8237	Nyloc Nut		4
23	7CN001	Nut		6
24	7CL002	Lock Washer		6
25	X8282	Bolt 1/4-20 x 1"		6

Ref Number	Part Number	Part Description	Context Notes	Quantity
26	X9014	Hinge		2
27	X8209	Screw 1/4-20 x 1/2"		4
28	7CY002	Internal Tooth Lock Washer		4
29	7DL003	Hose Clamp		3
30	7AT003	Hose Barb 1/4" H x 1/4" MPT		2
31	19616	Washer		1
32	PX6	QD Coupler 1/4"F X 1/4" FPT		1
33	X9096	Door, Flip Hinge & Spring SCE		1
34	X9097	Flip Door Gasket		1
35	X9009A	Vac Shoe, Tube SCE		1
36	X8222	Set Screw 1/4-20 x 3/16" w/Loc-Tite		1
37	PX3H	Solution Hose 300 PSI (Inches)		50
38	PX61A	Clamp, Single Ear 18.5 MM		1
39	PX85	Hose Barb 1/4" Barb x 3/8" MPT		1
40	PX5	QD Coupler 1/4"M x 1/4" FPT		1
41	7BF008	Kep Nut		1
42	X9100	Grommet		1
43	X9012	Main Chassis, Weldment Assy SCE		1
44	X1003	Qualified Made In The USA Label		1
45	X8459	Serial Number Label		1
46	X8976	Warning Label		1
47	X8209S	Bolt 1/4-20 x 1/2" Self Locking Flange		2
48	X8241	Nut		1
49	X9144	28" Chain		1
50	X9502	Grommet		6

Ref Number	Part Number	Part Description	Context Notes	Quantity
51	7AT006	Brass Fitting 90° 1/4" Barb x 1/8" MPT		1
52	F21	Ring Terminal		1

PFX900S Cover Shot

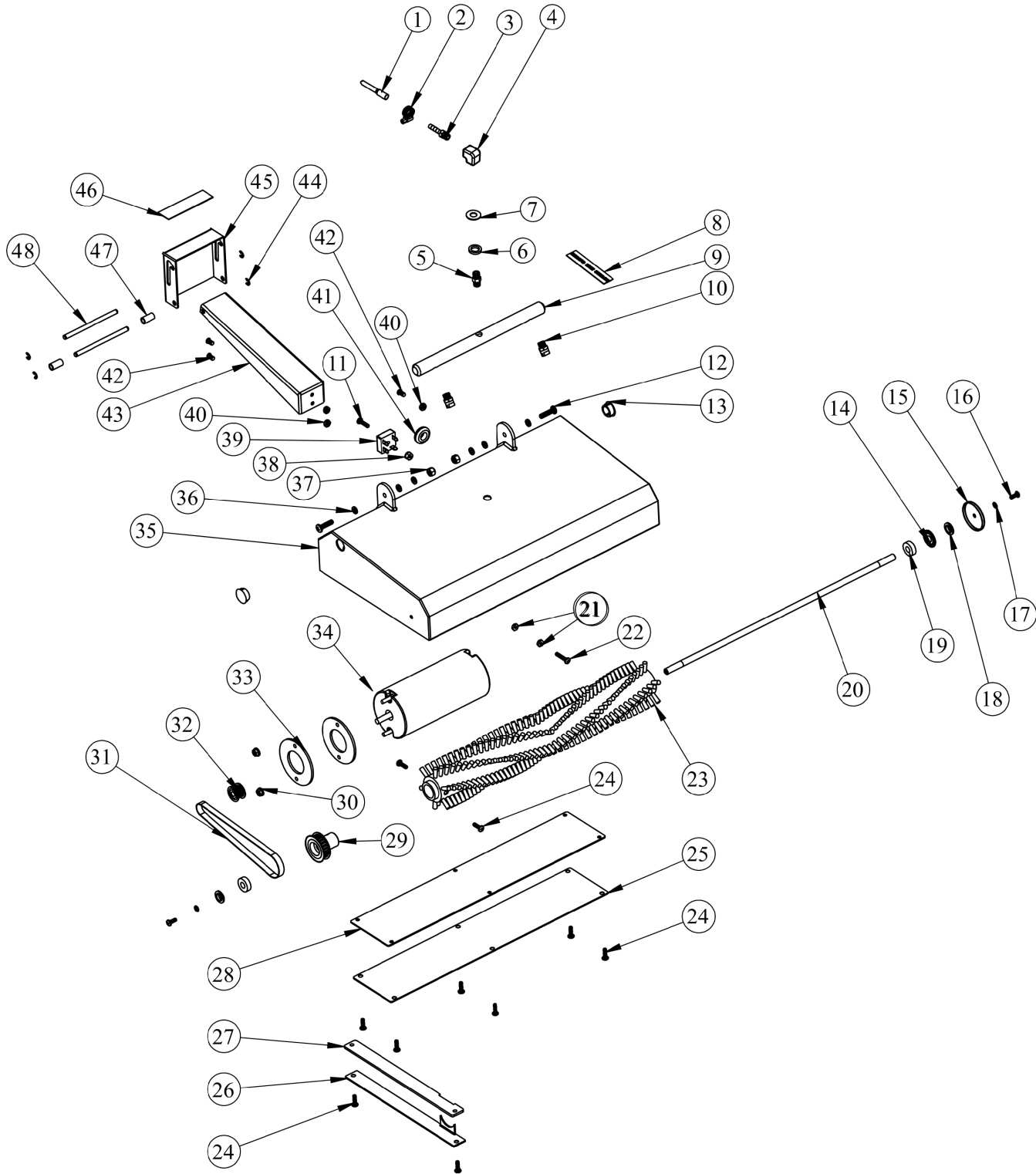


Rendered by LeadVenture, Inc.

PFX900S Cover Shot

Ref Number	Part Number	Part Description	Context Notes	Quantity
-------------------	--------------------	-------------------------	----------------------	-----------------

PFX900S 'S' Brush Assembly



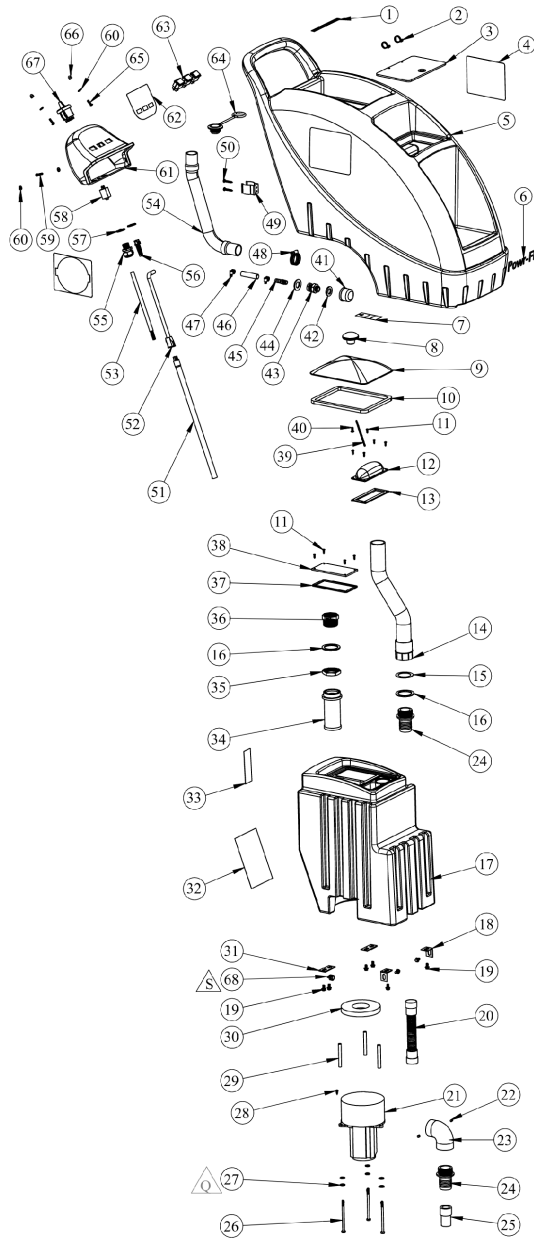
Rendered by LeadVenture, Inc.

PFX900S 'S' Brush Assembly

Ref Number	Part Number	Part Description	Context Notes	Quantity
1	71817A	Braided Hose 1/4" 250 PSI		34
2	7DL003	Hose Clamp		1
3	PC66	Fitting 1/4" HB x 1/8" MPT		1
4	7AK003	Brass Elbow Union 1/8" FPT		1
5	7CX001	Nipple 1/8" MPT x 1/8" MPT		1
6	X8293	Nylon Washer		1
7	7CM004	Washer		1
8	X9128	LABEL SUPERIOR EDGE CLEANING SCE		1
9	X9021	Manifold, Spray SCE		1
10	X9139	Nozzle and Body 1/8" MPT 95°		2
11	7BR005	Screw 10-32 x 3/4"		1
12	7CU003	Screw 1/4-20 x 1"		2
13	X9174	3/4 UNVENTED LOCKING PLUG		2
14	X9019	Shield, Brush Bearing SCE		1
15	X9020	Guard, Brush Thread SCE		1
16	71651A	Screw 10-32 x 1/2"		2
17	7CY001	Internal Tooth #10 Lock Washer		2
18	X9018	Spacer, Brush Bearing Nylon SCE		2
19	X9001	Bearing, Brush SCE		2
20	X9017	Axle, Brush SCE		1
21	X8241	Nut		2
22	7CU001	Screw #10-24 x 1"		1
23	X9070	Brushroll, 3 Dia X 18 Chevron PFX900S		1
24	X9118	Screw 10-32 x 5/8"		10
25	X9015A	Brush Motor Cover		1
26	X9015B	Belt Cover		1

Ref Number	Part Number	Part Description	Context Notes	Quantity
27	X9150	GASKET BELT COVER SCE REV03		1
28	X9126	Gasket, Brush Motor Cover SCE		1
29	X9117	Drive Pulley, 24 Teeth SCE		1
30	X9169	NUT, 10-32 HEX FLANGE SS 18-8SS		2
31	X9004	Belt,Extractors,Self-Contained,Drive		1
32	X9116	Drive Pulley, 12 Tooth SCE W/2 8-32 Set Screws		1
33	X9099	Spacer, Motor SCE		2
34	X9002	Brush Motor 120 VDC 1/4HP 3" Dia.		1
35	X9015	Weldment Assy, Brush Housing SCE		1
36	72241A	Nylon Washer		6
37	X8237	Nyloc Nut		1
38	X8830	NUT, 10-32 NYLON INSERT LOCK SS		1
39	X1193	Rectifier 35A		1
40	7BF008	Kep Nut		3
41	X9100	Grommet		1
42	7BH004	Screw 10-32 x 3/8"		3
43	X9107	Bracket, Brush Lift SCE		1
44	X9114	E RinG 1/4 SS SCE PFX900S		4
45	X9026	Pedal, Brush Lift SCE		1
46	X9122	SAFETY WALK TAPE 1X60 BLACK SCE PFX900S		4
47	X9027	Spacer, Brush Lift Pedal SCE		2
48	X9030	Pin, Brush Foot Pedal SCE		2
Not Shown	X9438	Complete Brush Assembly PFX900S		

PFX900S 'S' Tanks



Rendered by LeadVenture, Inc.

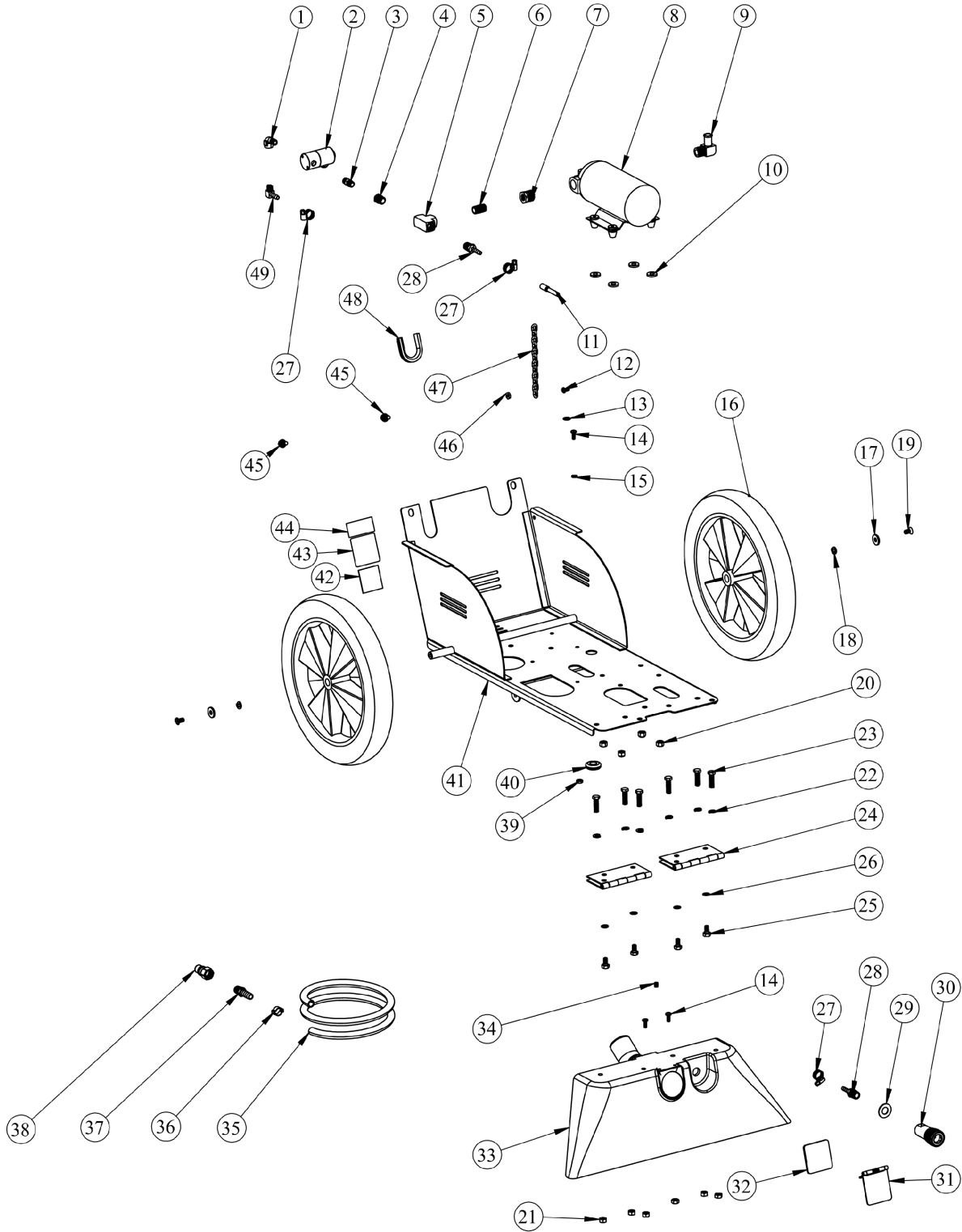
PFX900S 'S' Tanks

Ref Number	Part Number	Part Description	Context Notes	Quantity
1	X9134	Brush Warning Label		1
2	X8150	Cable Tie 11" (Black)		2
3	X9081	Solution Tank Lid		1
4	X9206	Side Label		2
5	X9042REPRO	Housing, Solution Black SCE		1
6	X8401A	Powrflite Label w/o Shadow		1
7	X9003	Defoamer Warning Label		1
8	X9110	Large Dome Lid Knob		1
9	X9034-C	Large Dome Cover w/Gasket		1
10	X9120-2	Large Dome Spacer Gasket		1
11	X8261SS	Screw #6 x 1/2" SS		9
12	X9033	Small Dome		1
13	X9071	Small Dome Gasket		1
14	X9129-SUB	Standpipe Sub Assembly		1
15	18886	Washer		1
16	PX14A	Gasket		2
17	X1770	SCE 9 Gallon Recovery Tank Kit W/O Drain Hose, Cap, And Clamp		1
18	X9086	Bracket		2
19	X8209S	Bolt 1/4-20 x 1/2" Self Locking Flange		8
20	X9092	Hose 1-1/2" x 21" w/Cuffs		1
21	X1038-KIT-9	Kit, Motor X1038 for 9 Gallon Extractor	Previously X1038	1
22	X8222	Set Screw 1/4-20 x 3/16" w/Loc- Tite		2
23	PX11A	Plastic Elbow Fitting 90° 1-1/2" FPT x 1-1/2" Slip		1
24	PX25	Plastic Bulkhead Fitting 1-1/2" MPT x 1-1/2" HB		2

Ref Number	Part Number	Part Description	Context Notes	Quantity
25	K1123	Hose Expander 1-1/4" to 1-1/2"		1
26	X2405	1/4-20 X 4-1/4 Grade 5 Hex Cap Screw Zinc		3
27	X8858	Washer		6
28	19565	Screw #10-16 x 1/2"		1
29	30070	Spacer		3
30	X9740	Gasket		1
31	X9085	Bracket, Tank Mount SCE		2
32	X9057	Operating Instruction Label (PFX 900S)		1
33	X9125-1	Tank Capacity Label		1
34	X9053	Float Cage w/Neck and Heavy Ball		1
35	PX46	Lock Nut		1
36	X9075	Bushing		1
37	X9084	Gasket, Cover SCE		1
38	X9080	Float Cover		1
39	X9068	Chain, 12 inch SS		1
40	7BS001	Screw 10-24 x 1/2"		1
41	X9294	Filter		1
42	PX48G	Fiber Gasket		1
43	PX48	Brass Bulkhead Fitting 3/4"		1
44	72274A	Neoprene Washer		1
45	7AT004	Hose Barb 1/2" Barb x 1/4" MPT		1
46	70079C	Wire Reinforced Hose 1/2"		22
47	7DL008	Hose Clamp		2
48	7DL005	Hose Clamp		1
49	72173A	Spring Clip		1
50	X9098	Screw #10 x 1"		2

Ref Number	Part Number	Part Description	Context Notes	Quantity
51	32217	Extension Cord 14/3 x 50' Yellow		1
52	X9841	Wire Harness		1
53	PAS37	Drain Hose		1
54	X8008N	Steel Conduit Lock Nut 1/2"		2
55	PD8	Strain Relief		1
56	X8008P	Strain Relief, Plastic		1
57	X8008N	Steel Conduit Lock Nut 1/2"		2
58	X1192	Circuit Breaker 2.5A		1
59	X9135	Screw 10-32 x 7/8"		2
60	7CM003	Washer		4
61	X9043REPRO	Control Panel Housing		1
62	X9093	Switch Panel		1
63	X9007	Rocker Switch		3
64	PAS36	Drain Hose Plug w/Strap		1
65	7BR005	Screw 10-32 x 3/4"		2
66	7DN004	Nut		2
67	X9200	Rocker Switch w/Paddle		1
68	X9111	Cord Clamp		1

PFX900S 'S' Chassis Assembly



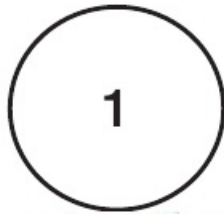
Rendered by LeadVenture, Inc.

PFX900S 'S' Chassis Assembly

Ref Number	Part Number	Part Description	Context Notes	Quantity
1	SW139	Brass Street Elbow 90° 3/8" MPT x 1/2" FPT		1
2	SW290-KIT	Valve Kit, 120 VAC Solenoid, 290 Psi		1
3	7CX001	Nipple 1/8" MPT x 1/8" MPT		1
4	7AG002	Bushing 1/4" MPT x 1/8" FPT		1
5	7AV001	Tee Union 1/4" FPT		1
6	PX32	Brass Nipple 1/4" MPT		1
7	PC20	Reducer 3/8" to 1/4"		1
8	AQ120	Pump 120 PSI		1
9	71507A	Elbow 1/2" Hose x 3/8" MPT		1
10	72667A	Rubber Washer		4
11	71817A	Braided Hose 1/4" 250 PSI		22
12	72091A	Screw 10-24 x 3/8"		1
13	X9214	Ground Symbol Label		1
14	71651A	Screw 10-32 x 1/2"		3
15	7CY001	Internal Tooth #10 Lock Washer		1
16	X9066	Wheel 12" x 1-3/4"		2
17	X8020	Countersunk Washer		2
18	X8212	Lock Washer		2
19	X8265	Screw 1/4-20 x 3/4"		2
20	X8237	Nyloc Nut		4
21	7CN001	Nut		6
22	7CL002	Lock Washer		6
23	X8282	Bolt 1/4-20 x 1"		6
24	X9014	Hinge		2
25	X8209	Screw 1/4-20 x 1/2"		4
26	7CY002	Internal Tooth Lock Washer		4

Ref Number	Part Number	Part Description	Context Notes	Quantity
27	7DL003	Hose Clamp		3
28	7AT003	Hose Barb 1/4" H x 1/4" MPT		2
29	19616	Washer		1
30	PX6	QD Coupler 1/4"F X 1/4" FPT		1
31	X9096	Door, Flip Hinge & Spring SCE		1
32	X9097	Flip Door Gasket		1
33	X9009A	Vac Shoe, Tube SCE		1
34	X8222	Set Screw 1/4-20 x 3/16" w/Loc-Tite		1
35	PX3H	Solution Hose 300 PSI (Inches)		50
36	PX61A	Clamp, Single Ear 18.5 MM		1
37	PX85	Hose Barb 1/4" Barb x 3/8" MPT		1
38	PX5	QD Coupler 1/4"M x 1/4" FPT		1
39	7BF008	Kep Nut		1
40	X9100	Grommet		1
41	X9012	Main Chassis, Weldment Assy SCE		1
42	X1003	Qualified Made In The USA Label		1
43	X8459	Serial Number Label		1
44	X8976	Warning Label		1
45	X8209S	Bolt 1/4-20 x 1/2" Self Locking Flange		2
46	X8241	Nut		1
47	X9144	28" Chain		1
48	X9502	Grommet		6
49	7AT006	Brass Fitting 90° 1/4" Barb x 1/8" MPT		1

Accessories and Consumables



Rendered by LasoVenture, Inc.

Accessories and Consumables

Ref Number	Part Number	Part Description	Context Notes	Quantity
1	PFX900S-KNS	UPHOLSTERY CLEANING KIT FOR PFX900S		