

# ONYX

DESIGNED TO SHINE 

## JX, SX, ZX, TX Propane Floor Machine Illustrated Parts List



Patent Pending

Parts & Service:

Online: [www.OnyxSolutions.com](http://www.OnyxSolutions.com)  
Email: [sales@onyxsolutions.com](mailto:sales@onyxsolutions.com)  
Call: 704-827-9368

W10529\_Rev K  
20220105 SJA



# Propane Floor Machine Illustrated Parts List

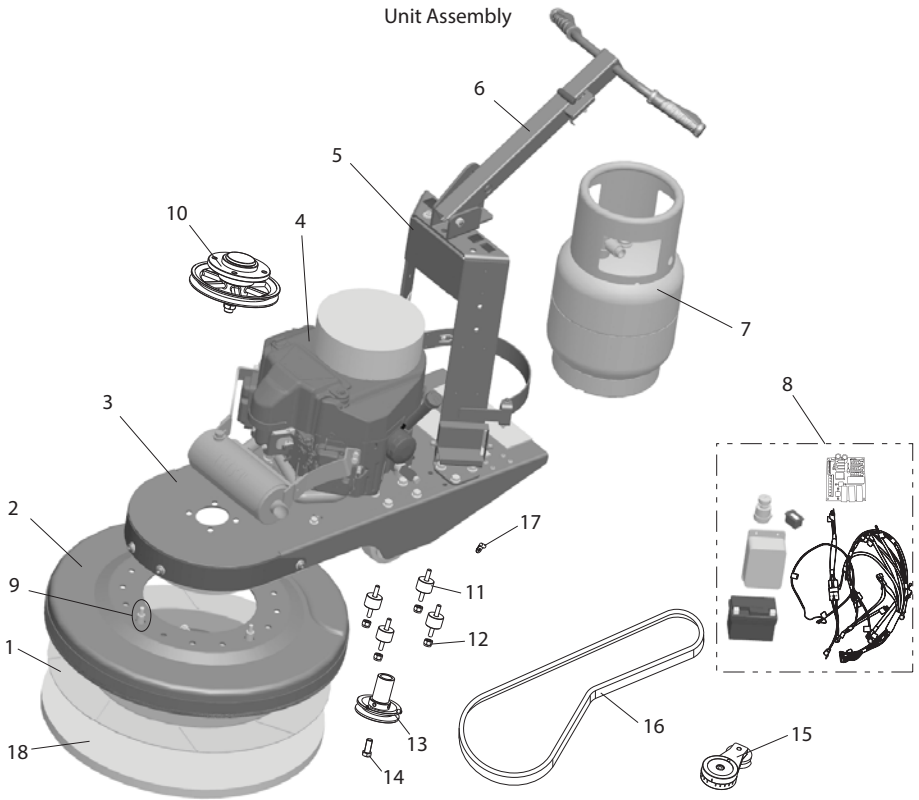


Patent Pending

## Table of Contents:

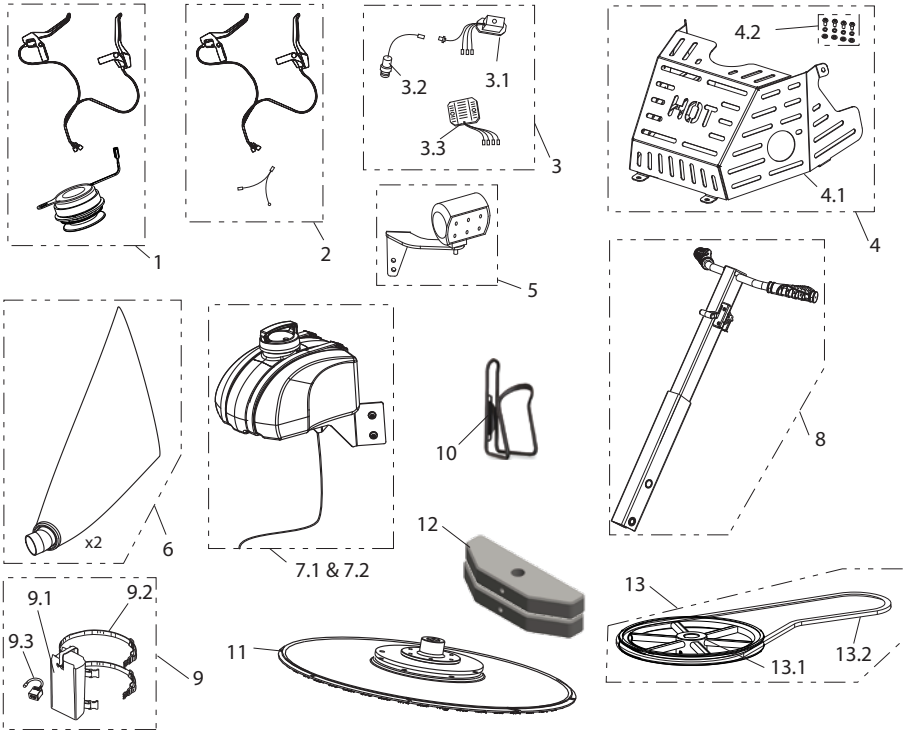
Unit Assembly	2
Optional Upgrades	3
Engine Assembly (603cc)	4
Engine Assembly (708cc)	6
Deck Assembly	8
Tensioner Assembly	9
Engine Pulley Assembly	9
Front End Assembly	10
Pad Driver Assembly	11
Shroud Assembly	12
Shroud Bolt & Spring Asm.	12
Bottle Carrier Assembly	13
Tee Handle Assembly	14
Electrical Components	15
Clutch System	16
Operator Presence System	16
Metal Pad Driver Assembly	17
Water System	18
Weight Kit	19
Headlight Kit	19
Planetary Disk	20
Planetary Shaft	21
Service Part List	22

Unit Assembly



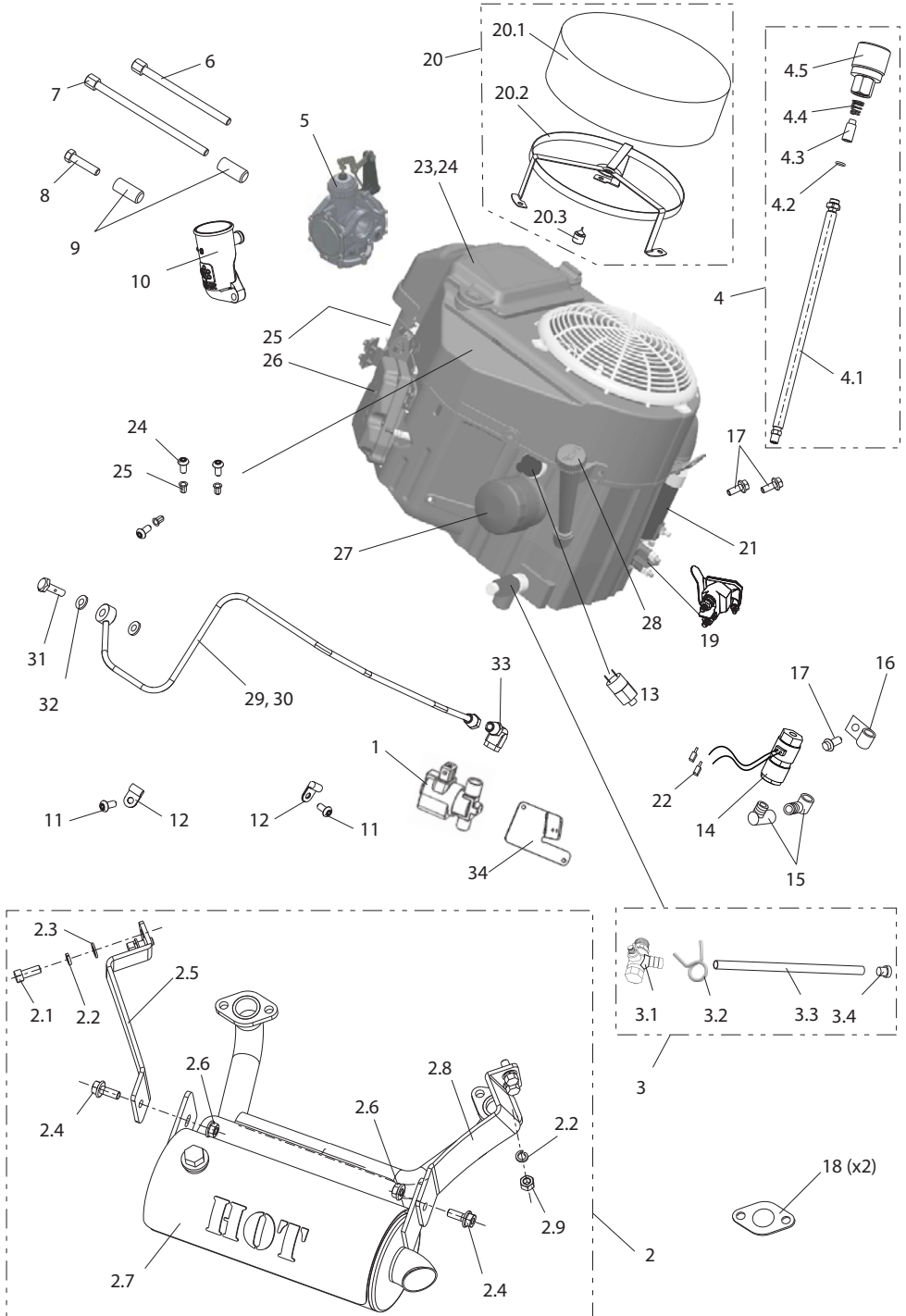
Item	Part No.	Description	Qty
1	W10666	Pad Driver ASM - 27" w/ Hex Hub, Bolt-Lock	1
	W10667	Pad Driver ASM - 24" w/ Hex Hub, Bolt-Lock	
	W10668	Pad Driver ASM - 21" w/ Hex Hub, Bolt-Lock	
2	W10518	Shroud ASM - 27"	1
	W10522	Shroud ASM - 24"	
	W10521	Shroud ASM - 21"	
3	W10519	Deck ASM	1
4	LX600-S006	LP Engine 603cc	1
5	W10363	Bottle Carrier ASM	1
6	W10364	Tee Handle ASM	1
7	W2502-FK	LP Cylinder - 20LB Vertical, Steel, RH	1
8	W10520	Electrical Components	1
9	W10598	Shroud Bolt & Spring ASM	4
10	W10658	Front End ASM	1
11	W10366	Vibration Isolating Spacer - 3/8-16 x M10	4
12	W10367	Nylock Nut - M10, Zinc	4
13	W10368	Engine Pulley ASM	1
14	F17159	Bolt - HCS 7/16-20 X 1.5 Z5	1
15	W10517	Rotary Tensioner ASM	1
16	WBX51	51" Cogged Belt	1
17	F0216763	P Clamp - 1/4 in. EDPM Cushion	1
18	W40230	27" General Purpose Burnishing Pad	1
	W40224	24" General Purpose Burnishing Pad	
	W40221	21" General Purpose Burnishing Pad	

## Optional Upgrades & Features



Item	Part No.	Description	Qty
1	W10516	Clutch System	1
2	W10527	Operator Presence System	1
3	W10515	Emission Monitoring System	1
3.1	W0091A	Emission Module ASM	1
3.2	PT-W2803	O2 Sensor, Exhaust, Narrow Band	1
3.3	W10738	Voltage Regulator - AC to 12VDC	1
4	For Reference Only	Muffler Heat Shield ASM	1
4.1	W10541	Muffler Heat Shield	1
4.2	W10543	Muffler Heat Shield Hardware ASM	1
5	W10544	Headlight ASM	1
6	W10549	Dust Bag - 2 Pack	1
7.1	W10523	5 Gallon Water System	1
7.2	W10736	8 Gallon Water System	1
8	W10536	Telescoping Handle System	1
9	W10545	USB Charging Port & Phone Holster	1
9.1	W10591	Phone Holster - Nylon	1
9.2	W10590	Velcro Cinch Strap - 1x12 in.	2
9.3	W10554	USB Charging Port - 2.1 Amp	1
10	W10580	Drink Holder (Cage) w/ Hardware	1
11	W10669	27" Metal Pad Driver ASM - Hex Stock Hub, bolt lock	1
12	W10613	Weight Kit - 25 lb	1
13	For Reference Only	14 Inch Pulley Kit (for slower pad RPM)	1
13.1	W10537	14 in Pulley & Hardware	1
13.2	WBX61	61" Cogged Belt	1

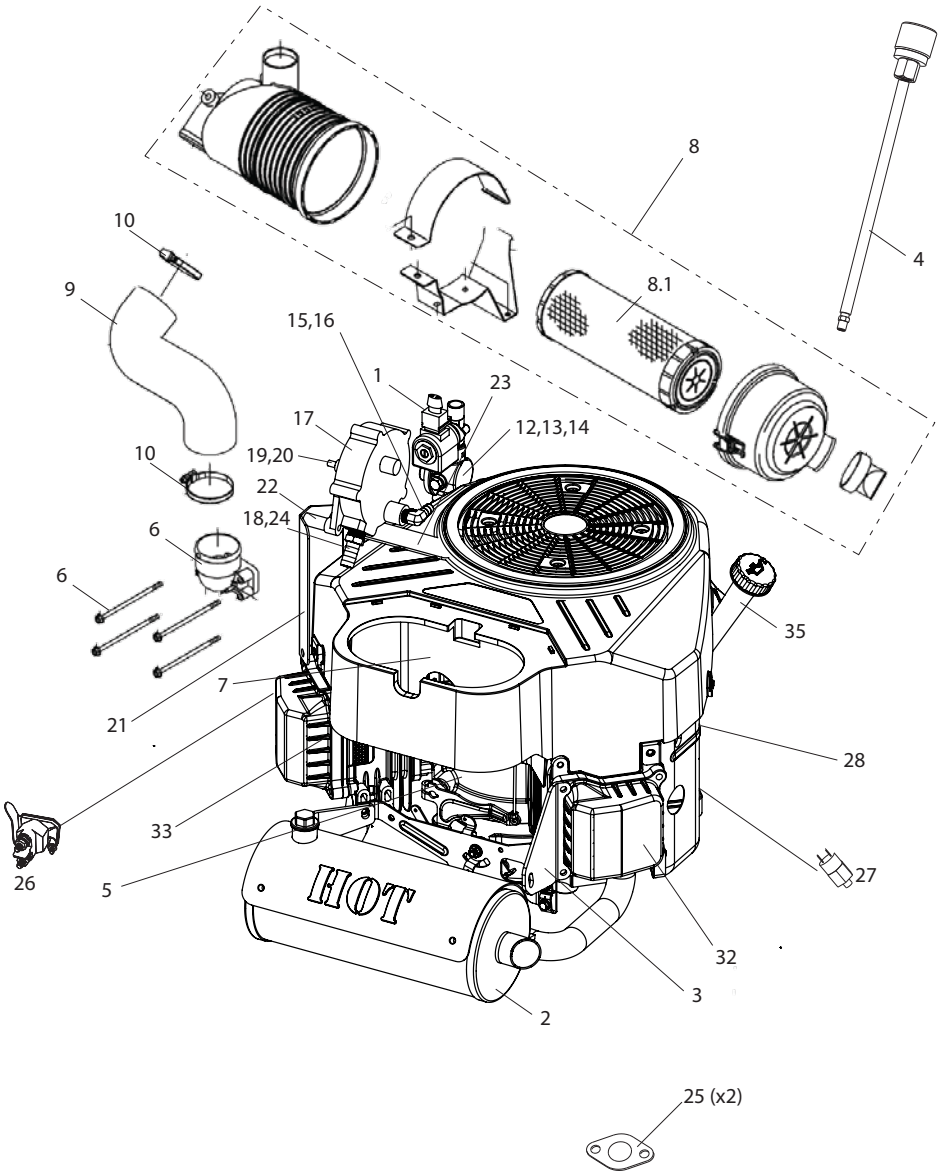
Engine Assembly, 603cc



Engine Assembly, 603cc

Item	Part No.	Description	Qty
1	W10752	Propane Solenoid Shutoff Valve "Lockoff", 12V brass 1/4 NPT	1
2	W10388	Catalyst Muffler ASM, 603cc	1
2.1	W10389	Bolt - Hex Cap Screw, M8x20, Zinc	4
2.2	W10390	Split Lock Washer - M8, Zinc	8
2.3	W10387	Flat Washer - M8, Zinc	4
2.4	W10391	Hex Flanged Bolt - M8x20, Zinc	2
2.5	W10392	Muffler Support Bracket - Cylinder 1	1
2.6	W10393	Hex Flanged Nut - M8, Zinc	2
2.7	W10394	Muffler w/ Manifold - Catalyst, Horiz	1
2.8	W10395	Muffler Support Bracket - Cylinder 2	1
2.9	W10396	Hex Nut - M8, Zinc	4
3	W10397	Oil Drain ASM, 3/8 NPT	1
3.1	W10398	Oil Drain Valve	1
3.2	W10399	Spring Wire Clamp - 10mm, Zinc	1
3.3	W10400	Oil Drain Hose	1
3.4	W10401	Cap - Oil Drain Hose	1
4	W10402	High Pres. Hose ASM - 12 in	1
4.1	W10403	High Pres. Hose - 12 in	1
4.2	W10404	O-ring - 7.5mm ID x 1.8mm	1
4.3	W10405	Inline Propane Filter - 10 Micron	1
4.4	W10406	Spring - Propane Filter	1
4.5	W10407	Rego Fitting - RH Thread	1
5	PT-10229	Propane Carburetor Regulator 603cc, Body, Spring, Linkage	1
6	PT-F0141717	Socket Cap Screw - M6-1.0 x 100mm, 12.9 Zinc	1
7	PT-F0141719	Socket Cap Screw - M6-1.0 x 120mm, 12.9 Zinc	1
8	F0161815	Hex Flanged Bolt - M6-1.0 x 35mm, Class 8.8 Zinc	1
9	PT-10233	Spacer - 1/4 ID x 1/2 OD x 7/8 L	2
10	PT-10231	Air Intake Elbow 603cc	1
11	F0161812	Hex Flanged Bolt - M6 x 20 DIN6921 Z	2
12	PT-F0708753	P Clamp - 1/4 Vinyl Cushion 0.281 Hole Dia	2
13	PT-W1325	Oil Pressure Switch, SPST, N.O., 1/8 BSP	1
14	PT-W2608	"Lockoff", 12V Propane Solenoid Shutoff Valve, A152	1
15	PT-F69881	90 Deg Elbow - 1/4 MNPT x 1/4 FNPT Brass	2
16	F0708773	P Clamp - 5/8" Vinyl Cushion, 0.406" Hole	1
17	F0161821	Hex Flanged Bolt - M8-1.25 x 16mm	3
18	K11060-7016	EXHAUST GASKET 603cc & 852cc	2
19	PT-W1305	Starter Solenoid Relay, 12V	1
20	W10586	Bonnet Filter ASM	1
20.1	W10409	Bonnet Filter - 9.0 ID x 3.25 H	1
20.2	W10410	Support Bracket - Bonnet Filter	1
20.3	W10411	Bumper - Bonnet Filter Bracket	1
21	K21163-0749	12V Starter - FS481V (603CC)	1
22	F60079	Spade Disconnect - Female 16-14 .250 X .032	2
23	K11013-0752	Air Filter Inner Pleated - FS481V (603CC)	1
24	K11011-0787	Cover - Air Filter, FS481V (603CC)	1
25	K11008-7050A	Cylin. Head Kit #1 Opr Right FS481V	1
26	K11008-7051A	Cylin. Head Kit #2 Opr Left FS481V	1
27	K49065-0721	Oil Filter - FS481V (603CC)	1
28	K14075-0707	Oil Dipstick - FS481V (603CC)	1
29	PT-10230	Fuel Line + Tubing Nut (Operator Left Option)	1
30	W10901	Fuel Line + Tubing Nut (Operator Right Option)	1
31	PT-10301	Banjo Bolt - M10 x 21mm L	1
32	PT-10302	Washer - Rubber Coated	2
33	W10903	90 deg Elbow - 1/4 Male 45 Flare x 1/4 FNPT, Brass	1
34	W10902	Mounting Bracket - Lockoff to 603 Cowling	1

Engine Assembly, 708cc

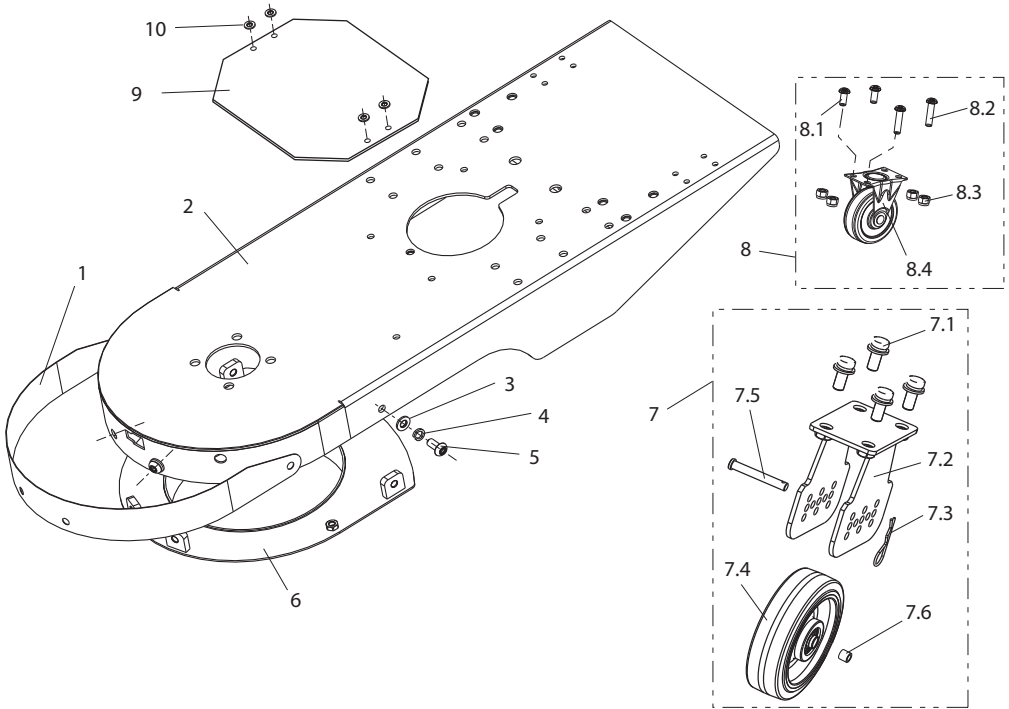




Engine Assembly, 708cc

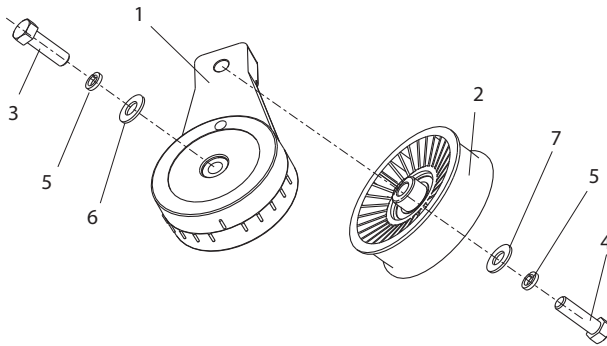
Item	Part No.	Description	Qty
1	W10752	Propane Solenoid Shutoff Valve "Lockoff", 12V brass 1/4 NPT	1
2	W10388-708cc	Catalyst Muffler, Modified for 708cc	1
3	W11320	Bracket, Muffler Support	1
4	W10402	High Pres. Hose ASM - 12 in	1
5	W11328	Carburetor Assembly, LX700	1
6	PT-F0141718	Socket Cap Screw - M6-1.0 x 110mm, 12.9 Zinc	1
7	W11311	Bracket, Air Filter Mount, 708cc Engine	1
8	W11327	Air Filter Canister + 1 Element Filter + Bracket	1
8.1	W11337	Air Filter Element	2
9	K92192-1360	Tube - Air Intake Hose	1
10	F62016	Hose Clamp, #32 1-1/2" to 2-1/2", 9/16"W, S/S Worm Drive	2
11	W10720	Plastic Air Intake Elbow, Dual Barrel Carb, 2" OD Inlet	1
12	W11310	Pressure Regulator, LPG Propane, Dual Stage	1
13	W11314	Bracket, Dual Stage Regulator Mount	1
14	F69946	90 deg Elbow, 3/8" Male NPT X 3/8" BARB, Brass	1
15	W10899	3/8 LPG Hose 350 psi, per foot	1
16	F69945	Elbow, 90 deg, 3/8 Hose Barb x 1/4 Male NPT, Brass	2
17	W11292	Vacuum Regulator, 1/4 NPT Inlet, 3/8 NPT Outlet	1
18	PT-F69932	Straight Adapter - 1/2 BARB X 3/8 MNPT Brass	1
19	W11321	Bracket, Tamper Resistant	1
20	W11332	Bushing 3/8 ID x 5/8 Length	1
21	W11312	Bracket, Vacuum Reg Support, Primary	1
22	PT-10233	Aluminum Spacer - 1/4 ID x 1/2 OD x 1 L	1
23	W11313	Bracket, Vacuum Reg Support, Secondary	1
24	PT-W2660	1/2 in. LP 350 PSI HOSE, Parker 7132, Per Foot	1
25	K11060-7016	EXHAUST GASKET 603cc & 852cc	1
26	PT-W1305	Starter Solenoid Relay, 12V	1
27	PT-W1325	Oil Pressure Switch, SPST, N.O., 1/8 BSP	1
28	K49065-0721	Oil Filter - 603 & 708CC	1
29	TEX139-0720	Ignition Coil, 708cc	1
30	TEX136-7880	Starter Motor, 708cc	1
31	TEX136-7879	Voltage Regulator, 708cc	1
32	TEX136-7891	Complete Right Head ASM	1
33	TEX136-7892	Complete Left Head ASM	1
34	TEX127-9296	Complete Gasket And Seal Kit, 708cc	1
35	TEX127-9218	Oil Tube ASM, 708cc	1
36	TEX81-3250	Spark Plug	1

## Deck Assembly



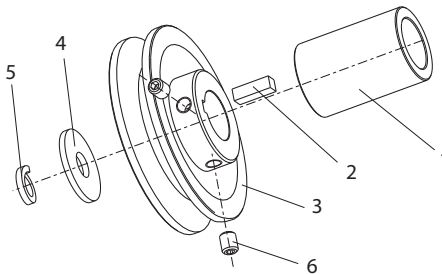
Item	Part No.	Description	Qty
1	W10369	Front Cover	1
2	W10370	Deck	1
3	W10371	Flat Washer - M12, Zinc	4
4	W10372	Split Lock Washer - M12, Zinc	4
5	W10373	Bolt - BHSCS, M12x25, Zinc, 8.8	4
6	W10374	Deck Underside Cover	1
7	W10375	Wheel ASM	2
7.1	W10376	Bolt - HHCS Combo, M12x35, Zinc, 8.8	4
7.2	W10377	Wheel Bracket	1
7.3	W10378	Hairpin - 57mm Length	1
7.4	W4220	Rubber Wheel 6 x 1-1/2 x 3/8 ID Ball Bearing	1
7.5	W10380	Wheel Axle	1
7.6	W10650	Sleeve Spacer 3/8ID x 3/8Length	1
8	W10381	Rear Caster ASM	2
8.1	W10382	Bolt - BHSCS, M8x20, Zinc, 8.8	2
8.2	W10383	Bolt - BHSCS, M8x25, Zinc, 8.8	2
8.3	W10384	Nylock Nut - M8, Zinc	4
8.4	W10385	Rear Caster - 3 in.	1
9	W10386	Pad - LP Tank Bottom Support	1
10	W10387	Flat Washer - M8, Zinc	4

## Tensioner Assembly



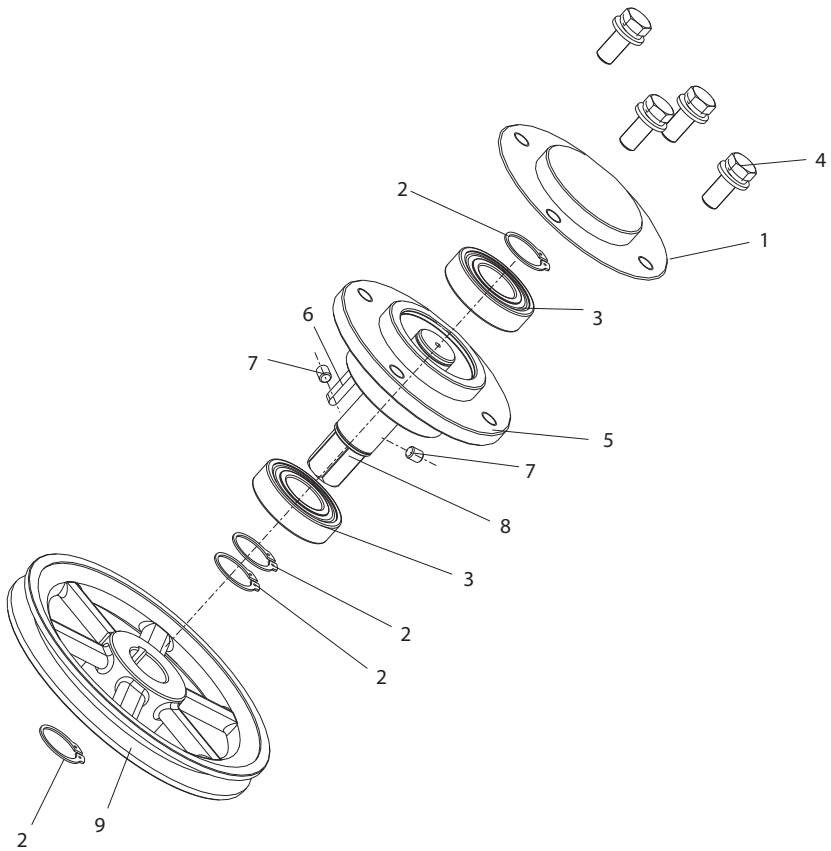
Item	Part No.	Description	Qty
1	W1101	Rotary Tensioner Arm	1
2	W1184	Pulley for Rotary Tensioner w/ 0.51" shoulder	1
3	F13107	Hex Cap Screw 3/8x16 x 1-1/4 Grade 5 Zinc	1
4	F13110	Bolt - HCS 3/8-16 x 1 3/4 Grade 5 Zinc	1
5	F33622	Lock Washer - 3/8 Zinc Medium Split	2
6	F33008	Flat Washer - 3/8 I.D. USS Zinc	1
7	F1133082	SAE Flat Washer - 3/8" x 0.812" OD Zinc	1

## Engine Pulley Assembly



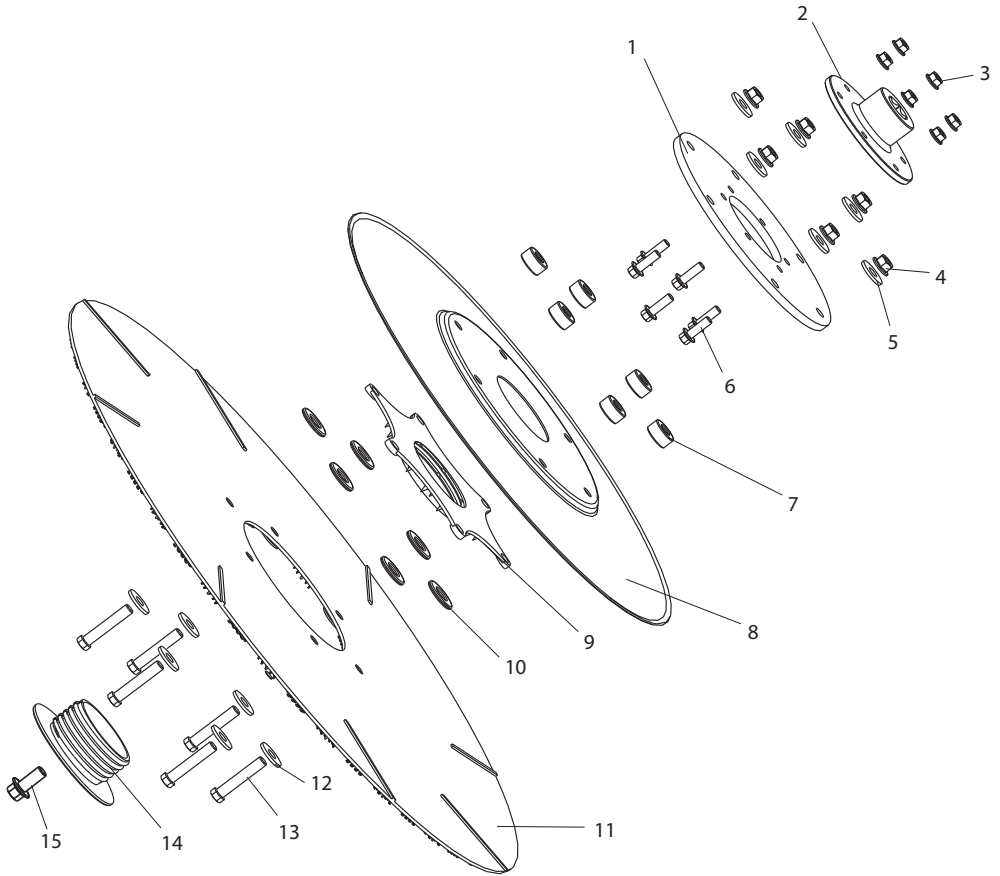
Item	Part No.	Description	Qty
1	W10412	Crankshaft Sleeve	1
2	W10413	Key - 1/4 x 1/4 x 20mm	1
3	W10414	Engine Pulley - 4 in.	1
4	W10415	Flat Washer - M13, Zinc	1
5	W10372	Split Lock Washer - M12, Zinc	1
6	W10416	Set Screw - M6x12	2

## Front End Assembly



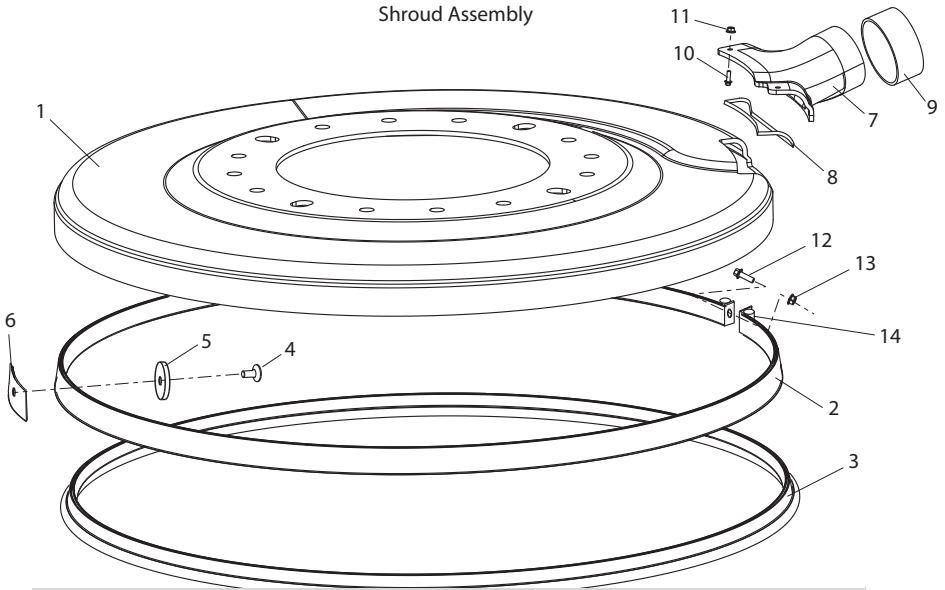
Item	Part No.	Description	Qty
1	W10739	Bearing Cover - Steel	1
2	W10418	External Shaft Circlip - 30mm	4
3	F0474395	BEARING 6206 2RS1/C3	2
4	W10420	Bolt - HHCS Combo, M12x30, Zinc, 8.8	4
5	W10421	Bearing Housing	1
6	W10422	Key - 1/4 x 1/4 x 28mm	1
7	W10416	Set Screw - M6x12	2
8	W10657	Shaft - Front End, Hex Drive, Bolt-Lock	1
9	W10424	Pulley - 7.9 in	1

## Pad Driver Assembly



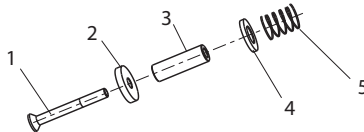
Item	Part No.	Description	Qty
1	W10425	Flex Plate	1
2	W10655	Shaft Coupler Hub - Hex Hole, Bolt Lock	1
3	W10384	Nylock Nut - M8, Zinc	6
4	W10367	Nylock Nut - M10, Zinc	6
5	W10427	Flat Washer - M10, Zinc	6
6	W10428	Hex Flanged Bolt - M8x25, Zinc	6
7	W10429	Spacer - Flex Plate	6
8	W10430	Pad Riser - Steel	1
9	W10431	Pad Holder - Female Housing	1
10	W10432	Flat Washer - M10 x 30 x 1.5 mm	6
11	W10433	Pad Gripper Surface - 27"	1
	W10434	Pad Gripper Surface - 24"	
	W10435	Pad Gripper Surface - 21"	
12	W10427	Flat Washer - M10, Zinc	6
13	W10436	Bolt - HHCS M10x55, Short Head, Zinc, 8.8	6
14	W10437	Pad Holder - Male Threaded Flange	1
15	W10656	Bolt - HHCS Combo, M12x25, Zinc, 8.8	1

## Shroud Assembly



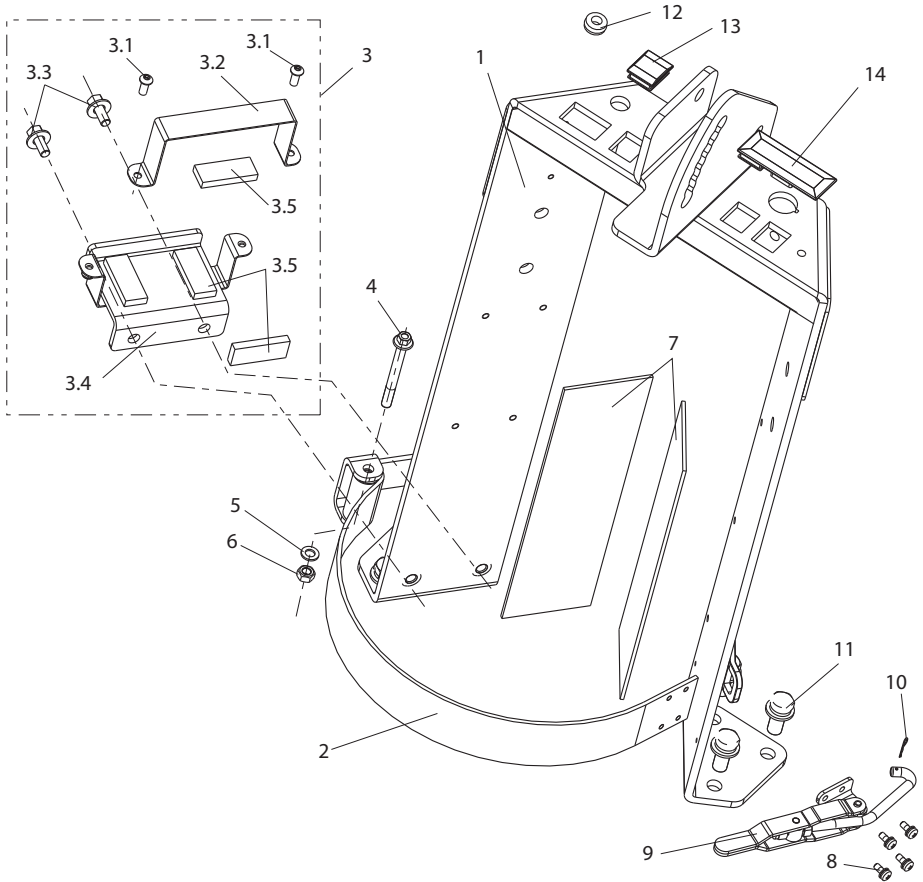
Item	Part No.	Description	Qty
1	W10442	Shroud - 27"	1
	W10443	Shroud - 24"	
	W10444	Shroud - 21"	
2	W11170	Strap, Seal - Stainless Steel, 27 in Shroud	1
	W11171	Strap, Seal - Stainless Steel, 24 in Shroud	
	W11172	Strap, Seal - Stainless Steel, 21 in Shroud	
3	W11179	Shroud Seal w/ Adhesive back, Flexible PVC, Cut to Fit	1
4	W11177	Bolt, M5x20, FHSCS Stainless	10
5	W11176	Countersunk Washer, M5, 35 OD x 3 Thick	10
6	W11178	Rounded Clip Nut, M5, Zinc	10
7	W10538	Dust Chute - 27&24 in. Compatible	1
	W10594	Dust Chute - 21 in. Compatible	
8	W10597	Foam Gasket - Dust Chute	1
9	W10539	Cap - Dust Chute	1
10	W10595	Flange Bolt - M6x16 Zinc	4
11	W10596	Nylock Nut - M6, Zinc	4
12	W11174	Bolt - M5x65, Hex Head Flange, Zinc	1
13	W11175	Nylock Nut, M5, Zinc	1
14	W11173	Round Pin w/ M5 Clearance Hole	2

## Shroud Bolt & Spring Assembly



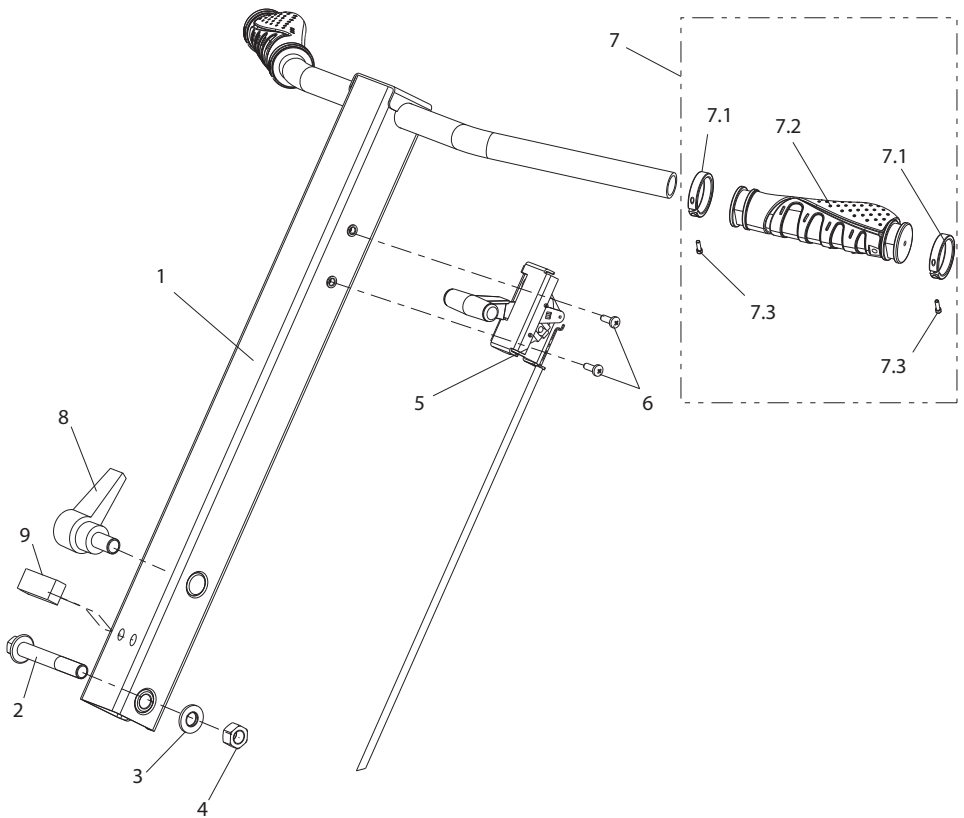
Item	Part No.	Description	Qty
1	W10451	FHCS Bolt - M10x75, Zinc, Grade 8.8	1
2	W10450	Washer - Countersunk Hole	1
3	W10449	Sleeve Spacer	1
4	W10453	Flat Washer - 19.5 ID x 30 OD x 2 mm	1
5	W10452	Compression Spring	1

## Bottle Carrier Assembly



Item	Part No.	Description	Qty
1	W10454	Bottle Carrier	1
2	W10455	Tank (Propane) Strap	1
3	W10456	Battery Box ASM	1
3.1	W10457	Bolt - BHSCS, M6x16, Zinc, 8.8	2
3.2	W10458	Battery Clamp Top w/ Electrical Insulation	1
3.3	W10459	Bolt - HHCS Combo, M10x25, Zinc, 8.8	2
3.4	W10460	Battery Support Bracket	1
3.5	W10461	Foam - 50x20x7 mm	4
4	W10462	Hex Flanged Bolt - M8x75	1
5	W10387	Flat Washer - M8, Zinc	1
6	W10384	Nylock Nut - M8, Zinc	1
7	W10463	Foam - 280x80x5 mm	2
8	W10464	Machine Screw - PPH M5x10, Zinc	4
9	W10465	Clamp Mechanism	1
10	W10466	Hairpin	1
11	W10376	Bolt - HHCS Combo, M12x35, Zinc, 8.8	6
12	W10467	Rubber Grommet - 16.5 mm hole	1
13	W10468	Hole Plug - Water Controls	1
14	W10469	Hole Plug - Head Light Switch	1

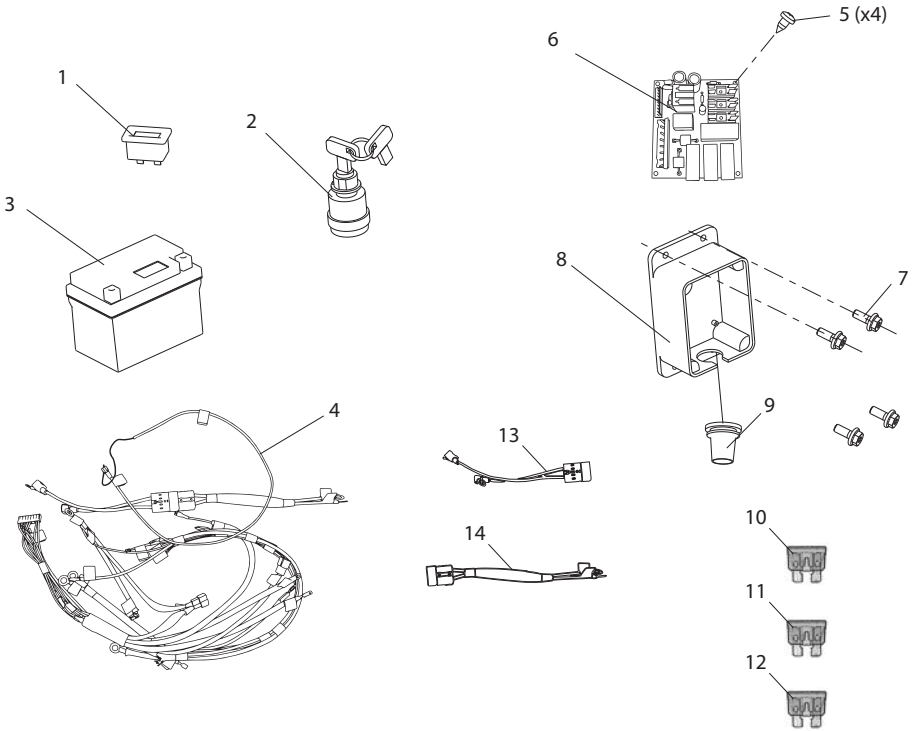
## Tee Handle Assembly



Item	Part No.	Description	Qty
1	W10470	Tee Handle	1
2	W10471	Hex Flanged Bolt - M12x80, Zinc, 8.8	1
3	W10371	Flat Washer - M12, Zinc	1
4	W10472	Nylock Nut - M12, Zinc	1
5	W4110	Throttle CABLE 53 INCH	1
6	W10474	Machine Screw - PPH M5x16, Zinc	2
7	W10475	Ergonomic Grip w/ Clamps (1 grip)	2
7.1	W10476	Grip Clamp	2
7.2	W10477	Ergonomic Grip	1
7.3	W10478	Socket Head Cap Screw - M3x12, Zinc, 8.8	2
8	W10552	Knob - Tee Handle Adjustment	1
9	W11180	Bumper - Tee Handle	1

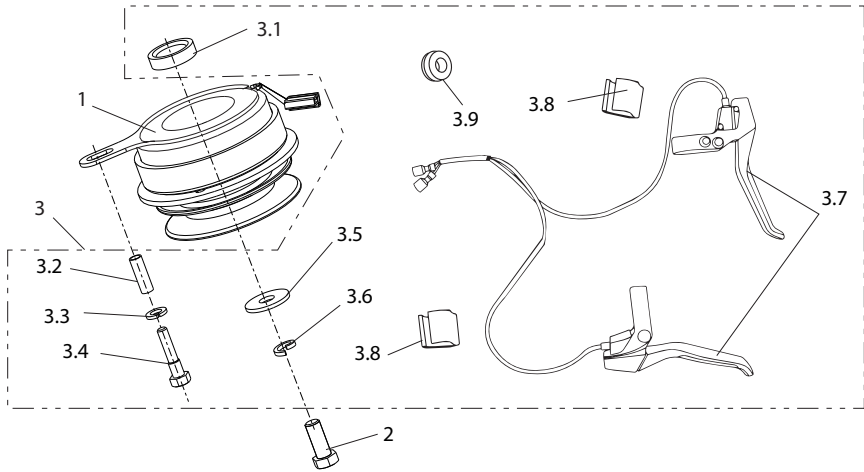


## Electrical Components



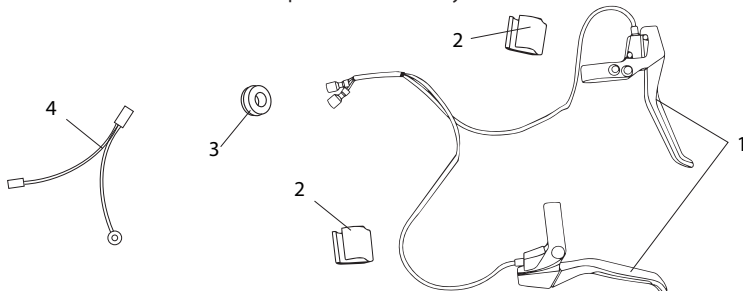
Item	Part No.	Description	Qty
1	W10479	Tach Hour Meter 1 Pin	1
2	W10480	Ignition Switch - Incl 2 Keys, Hardware, 5 pin Wire Harness	1
3	W10481	Battery - Li-Ion 12V	1
4	W10482	Wire Harness	1
5	W10483	Self Tapping Screw - ST3x6	4
6	W10484	Circuit Board	1
7	W10485	Hex Flange Bolt - M6x12, Zinc	4
8	W10486	Electronic Box & Cover	1
9	W10487	Wire Grommet	1
10	W11196	Fuse 3A, ATO Blade Type	1
11	W11197	Fuse 7.5A, ATO Blade Type	1
12	W11198	Fuse 15A, ATO Blade Type	1
13	W11166	Cable - Battery to Connector	1
14	W11167	Cable - Starter Solenoid to Battery Connector	1

## Clutch System



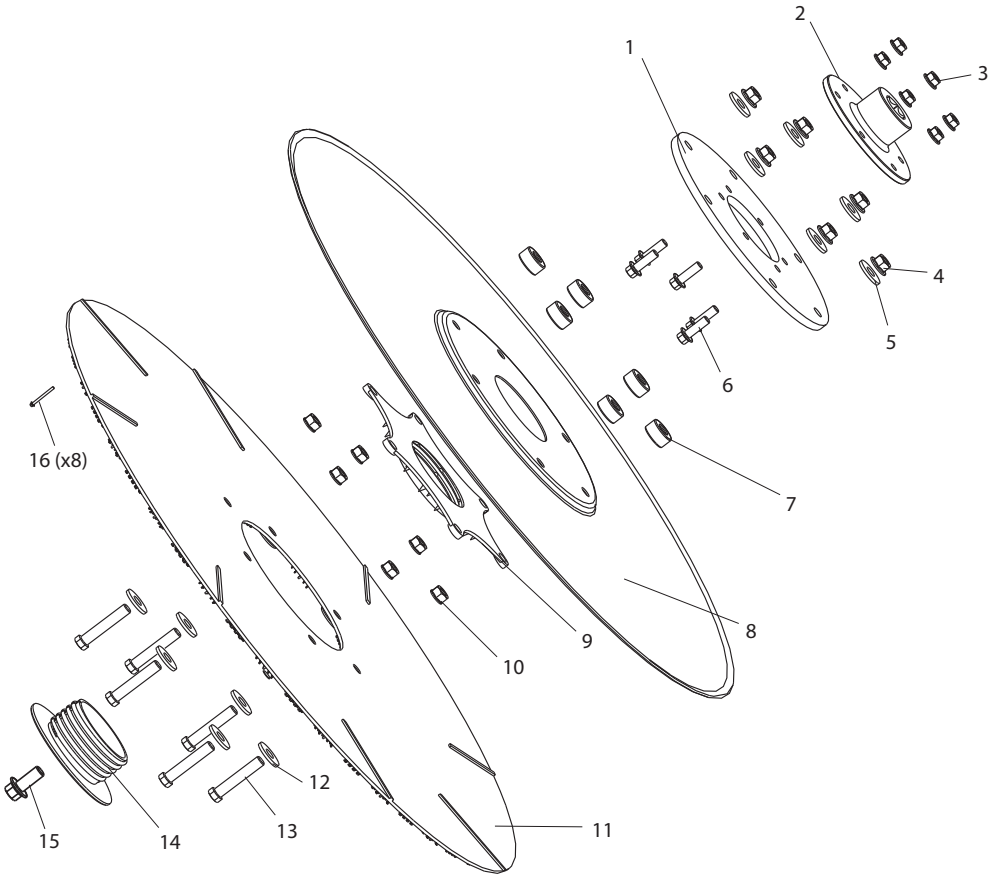
Item	Part No.	Description	Qty
1	W1210	CVX Electric Clutch CCW 12V w/ 4" Pulley	1
2	F17159	Bolt - HCS 7/16-20 X 1.5 Z5	1
3	W50010	Clutch Component ASM (QJ)	1
3.1	W10493	Spacer - 1" ID	1
3.2	W10494	Sleeve - Clutch Arm Support Bolt	1
3.3	W10495	Split Lock Washer - M10, Zinc	1
3.4	W10496	Bolt - Clutch Arm Support	1
3.5	W10415	Flat Washer - M13, Zinc	1
3.6	W10372	Split Lock Washer - M12, Zinc	1
3.7	W10497	Clutch Handle Set - Incl L+R+Wiring	1
3.8	W10498	Wire Clip	2
3.9	W10499	Rubber Grommet - 18 mm hole	1

## Operator Presence System



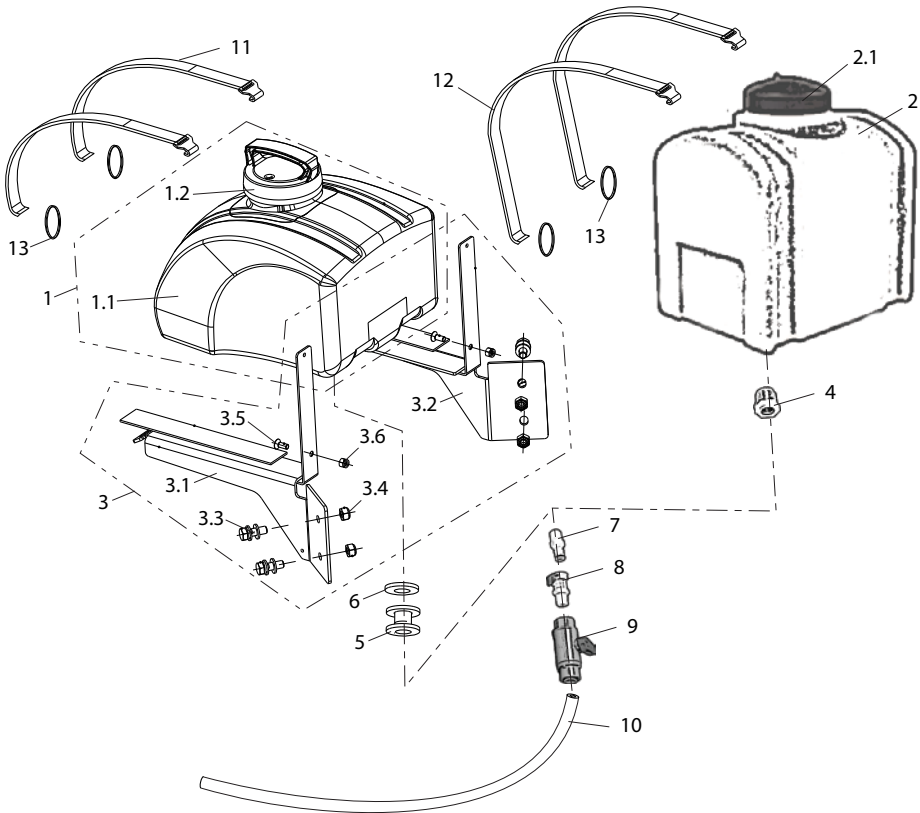
Item	Part No.	Description	Qty
1	W10497	Clutch Handle Set - Incl L+R+Wiring	1
2	W10498	Wire Clip	2
3	W10499	Rubber Grommet - 18 mm hole	1
4	W10528	Wiring Harness - 3 way Union w/ Diode	1

## Metal Pad Driver



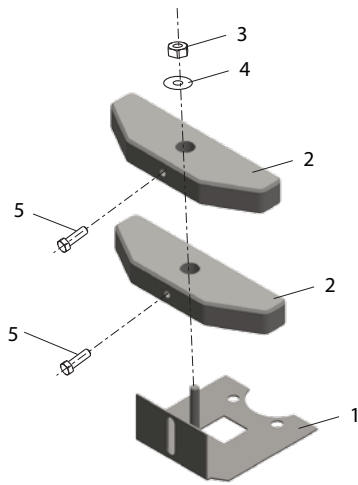
Item	Part No.	Description	Qty
1	W10425	Flex Plate	1
2	W10655	Shaft Coupler Hub - Hex Hole, Bolt Lock	1
3	W10384	Nylock Nut - M8, Zinc	6
4	W10367	Nylock Nut - M10, Zinc	6
5	W10427	Flat Washer - M10, Zinc	6
6	W10428	Hex Flanged Bolt - M8x25, Zinc	6
7	W10429	Spacer - Flex Plate	6
8	W5227	27 METAL SPUN DISK	1
9	W10431	Pad Holder - Female Housing	1
10	W10367	Nylock Nut - M10, Zinc	6
11	W10433	Pad Gripper Surface - 27"	1
12	W10427	Flat Washer - M10, Zinc	6
13	W10436	Bolt - HHCS M10x55, Short Head, Zinc, 8.8	6
14	W10437	Pad Holder - Male Threaded Flange	1
15	W10656	Bolt - HHCS Combo, M12x25, Zinc, 8.8	1
16	F0162923	Rivet 3/16 BLACK. Steel	8

## Water System



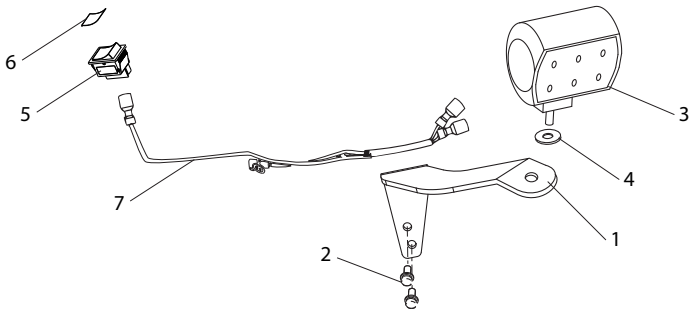
Item	Part No.	Description	Qty
1	W10748	5 Gal Water Tank & Cap	1
1.1	W10562	Water Tank - 5 Gallon, Black, HDPE	1
1.2	W10563	Water Tank Cap - Black, w/ Rubber Seal	1
2	W8101	8 Gal Water TANK w/ Lid	1
2.1	W8100	SOLUTION TANK CAP FOR W8101 TANK	1
3	W10747	Water Tank Bracket Kit & Hardware	1
3.1	W10564	Support Bracket - Water Tank, Oper. LH Side	1
3.2	W10565	Support Bracket - Water Tank, Oper. RH Side	1
3.3	W10376	Bolt - HHCS Combo, M12x35, Zinc, 8.8	4
3.1	W10472	Nylock Nut - M12, Zinc	4
3.5	W10575	FHCS Bolt - M8x16, Zinc	2
3.6	W10384	Nylock Nut - M8, Zinc	2
4	W10734	Reducing Bushing 1/2" MNPT x 1/4" FNPT Nylon	1
5	W10568	Bulkhead Fitting - 1/4 FNPT w/ Gaskets	1
6	F33446	Machine Bushing - 1 X 10 GAGE	1
7	W10570	Quick Disconnect - Male x 1/4" NPT, APC Series	1
8	W10569	Quick Disconnect - Female x 1/4" NPT, APC Series	1
9	W10571	Ball Valve - 3/8" OD Quick Connect x 1/4" FNPT	1
10	W10567	Water Tubing - 3/8 OD, 1/4 ID, Polyethylene	1
11	W10573	Rubber Strap - 19" w/ Hooks (for 5 gal tank)	2
12	W10735	Rubber Strap - 25" w/ Hooks (for 8 gal tank)	2
13	W10574	Key Ring - 1_1/2" OD, Zinc	2

### Weight Kit

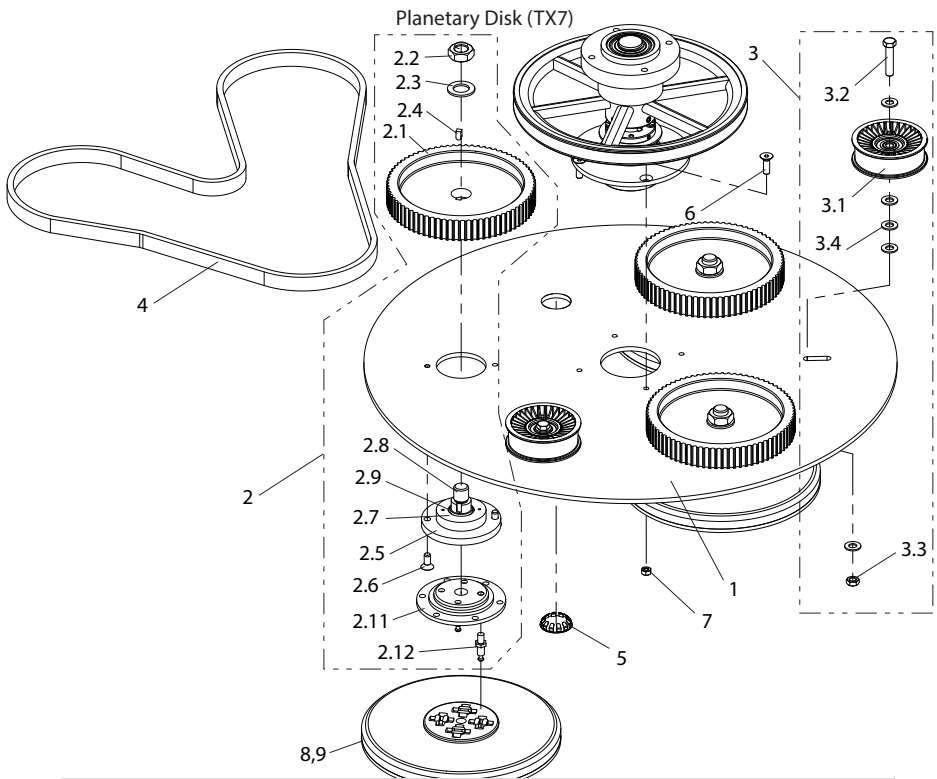


Item	Part No.	Description	Qty
1	W10614	Weight Bracket - "X" Series Compatible	1
2	W10615	Weight - 12.5 lb Trapezoid Shape	2
3	F37030	Nylock 1/2-13 Nut NE Zinc	1
4	F11103744	Thick Fender Washer - 1/2" x 1.500" OD, Zinc	1
5	F13205	Hex Cap Screw Bolt 1/2-13 x 1.0	2

### Headlight Kit

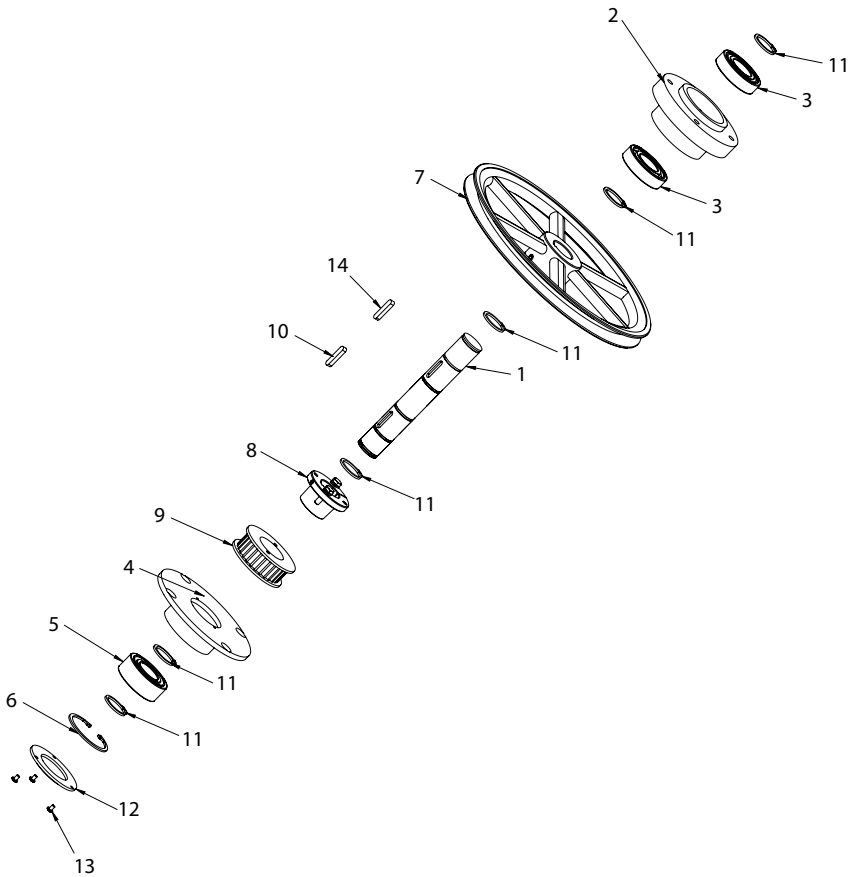


Item	Part No.	Description	Qty
1	W10542	Bracket - Headlight Mount	1
2	F0161824	Hex Flange Bolt - M8x30, Zinc	2
3	W10588	Headlight - LED 12V, 18W w/ Mount Hardware	1
4	W10693	Rubber Washer - 5/16 ID x 1-1/4 OD x 1/16 thick	1
5	W10578	Rocker Switch - 4 Pin DPST, KCD4 Type	1
6	W10584	Label - Headlight Switch	1
7	W10589	Wiring Harness - Headlight	1



Item	Part No.	Description	Qty
1	W5120	27" TRISTRIP DISC	1
2	W4390A	Satellite Drive ASM	3
2.1	W6067	7.50" O.D. X 1" I.D. PULLEY (COGGED HTD-8MM)	1
2.2	F37041	3/4-10 Nylock Jam Nut	1
2.3	F33356	3/4" Belleville Washer .755 X 1.5 X .072, 1050/70 Plain	1
2.4	F0958695	Machine KEY 1/4 X 1/4 X 1/2	1
2.5	W1046	TRISTRIP Satellite HOUSING .890 L	1
2.6	F24254	Flat Head Cap Screw 5/16-18 x 3/4 Hex Drive	2
2.7	F4161246	BEARING 5205 A-2RS1 or 3205-2RS	1
2.8	W1009	Planetary Satellite Shaft, MALE THREADS BOTH SIDES	1
2.9	F68019	Spring Steel External Retaining Ring 1 Inch	1
2.10	F33356	3/4" Belleville Washer .755 X 1.5 X .072, 1050/70 Plain	1
2.11	W1010L	Shaft Plate 4 1/2" LH Thread (with cimex pin tappings)	1
2.12	W6016	"CIMEX" HUB PIN	4
3	W2010A	Idler Pulley ASM	2
3.1	W2010	RETLOW PULLEY - 3.5 OD w/ 3/8 ID x 0.41 standoff adapter	1
3.2	F13110	Bolt - HCS 3/8-16 x 1 3/4 Grade 5 Zinc	1
3.3	F37026	Jam Nut - 3/8-16 Nylock NTE Zinc	1
3.1	F33006	Flat Washer - 5/16 I.D. USS Zinc	5
4	W2206	Double Sided Belt- 2000 For Tristrip	1
5	W5120-1	1-1/2" METAL PLUG FOR TRISTRIP & Hydra Disk	1
6	F24256	Flat Head Cap Screw 5/16-18 x 1 Hex Drive	4
7	F37021	Nut - 5/16-18 Nylock NE Zinc	4
8	ET10-BRUSH-A	10" STRIPPING BRUSH w/ Rubber grommets	3
9	W1558A	10 inch pad Driver -w/W1680-w/grommet	3
10	W10682	Planetary Shaft ASM (See next page for details)	1

## Planetary Shaft (TX7)



Item	Part No.	Description	Qty
1	W10681	Main Shaft, Planetary	1
2	W10421	Bearing Housing	1
3	W10419	Bearing - 6206-2RZ, 30x62x16 mm	2
4	W1036	TRISTRIP LOWER MAIN HOUSING	1
5	F4161248	BEARING 5206 A2RS1/C3	1
6	F68156	INT R Ring 2 3/8	1
7	W10424	Pulley - 7.9 in	1
8	W2245	Bushing - LX 1 3/16 IN	1
9	W2230	SPROCKET P28 - 8M - 20 - QT	1
10	F0958935	1/4" x 1/4 x 1-1/4 Mach Key	1
11	F99450907	RETAINING RING, EXTERNAL, 1 3/16 Shaft	6
12	W1037	End Cap - Bearing Housing	1
13	F1128858	Machine Screw PPH 8-32 x 1/4L	3
14	W10422	Key - 1/4 x 1/4 x 28mm	1

"A" Class Service Parts - High Demand	
Part No.	Description
WBX51	51" Cogged Belt
W10549	Dust Bag - 2 Pack
W10409	Bonnet Filter - 9.0 ID x 3.25 H
K11013-0752	Air Filter Inner Pleated - FS481V (603CC)
K49065-0721	Oil Filter - FS481V (603CC)
W10656	Bolt - HHCS Combo, M12x25, Zinc, 8.8
W10547	Kerf Dust Seal - 96 in. length, cut to fit
W10539	Cap - Dust Chute
W10552	Knob - Tee Handle Adjustment
W4110	Throttle CABLE 53 INCH
W10482	Wire Harness
W10490	Glass Fuse - 3A, 5x20
W10491	Glass Fuse - 6A, 5x20
"B" Class Service Parts - Medium Demand	
Part No.	Description
W10666	Pad Driver ASM - 27" w/ Hex Hub, Bolt-Lock
W10667	Pad Driver ASM - 24" w/ Hex Hub, Bolt-Lock
W10668	Pad Driver ASM - 21" w/ Hex Hub, Bolt-Lock
W10433	Pad Gripper Surface - 27"
W10434	Pad Gripper Surface - 24"
W10435	Pad Gripper Surface - 21"
W10518	Shroud ASM - 27"
W10522	Shroud ASM - 24"
W10521	Shroud ASM - 21"
W2502-FK	LP Cylinder - 20LB Vertical, Steel, RH
W10658	Front End ASM
W10366	Vibration Isolating Spacer - 3/8-16 x M10
W10517	Rotary Tensioner ASM
W0091A	Emission Module ASM
PT-W2803	O2 Sensor, Exhaust, Narrow Band
PT-10302	Washer - Rubber Coated
W10388	Catalyst Muffler ASM, 603cc
W10402	High Pres. Hose ASM - 12 in
W10405	Inline Propane Filter - 10 Micron
PT-10229	Propane Carburetor Regulator 603cc, Body, Spring, Linkage
PT-W1325	Oil Pressure Switch, SPST, N.O., 1/8 BSP
PT-W2608	"Lockoff", 12V Propane Solenoid Shutoff Valve, A152
K11060-7016	EXHAUST GASKET 603cc & 852cc
PT-W1305	Starter Solenoid Relay, 12V
W10410	Support Bracket - Bonnet Filter
K11011-0787	Cover - Air Filter, FS481V (603CC)
K11008-7050A	Cylin. Head Kit #1 Opr Right FS481V
K11008-7051A	Cylin. Head Kit #2 Opr Left FS481V
K14075-0707	Oil Dipstick - FS481V (603CC)
K21163-0749	12V Starter - FS481V (603CC)
W10379	Wheel - 6", Rubber, Smooth, Incl Bearings
W10378	Hairpin - 57mm Length
W10380	Wheel Axle
W10385	Rear Caster - 3 in.
W10386	Pad - LP Tank Bottom Support
W10413	Key - 1/4 x 1/4 x 20mm
W10414	Engine Pulley - 4 in.
W10416	Set Screw - M6x12
W10417	Bearing Cover Plastic
F0474395	BEARING 6206 2RS1/CS3
W10422	Key - 1/4 x 1/4 x 28mm
W10425	Flex Plate
W10437	Pad Holder - Male Threaded Flange
W10538	Dust Chute - 27&24 in. Compatible
W10455	Tank (Propane) Strap
W10465	Clamp Mechanism
W10466	Hairpin
W10475	Ergonomic Grip w/ Clamps (1 grip)
W10479	Tach Hour Meter 1 Pin
W10480	Ignition Switch - Incl 2 Keys, Hardware, 5 pin Wire Harness
W10481	Battery - Li-Ion 12V
W10484	Circuit Board



## Labels & Literature

1

**OPERATING INSTRUCTIONS**

1. Check engine oil and fill to proper level.
2. Ensure fuel hoses are properly connected to propane cylinder and machine components.
3. Open the service valve on propane cylinder.
4. Turn ignition key to START. Do not engage starter for more than 6 seconds per attempt.
5. When engine starts, adjust throttle to proper speed.
6. Always stop engine by closing the service valve on propane cylinder. Once engine stops, turn key to OFF position.

Refer to operators manual for additional information, troubleshooting, and maintenance schedule.

Part No. W10022 "Preventative Maintenance Kit" includes: oil filter, bonnet filter, and all air filters.

2

3

4

**WARNING**

Muffler is HOT.  
Do NOT touch.  
Rotating pad and parts under frame.  
Keep hands and feet away.

5

**DANGER**

Read and understand Operator's Manual. Failure to follow instructions could result in death or serious injury.

Do NOT operate, store, or service machine near sources of heat or ignition such as open flames, spark, pilot lights, or cigarettes.

Do NOT release or bleed propane inside any building or other enclosed space or near an open pit.

Check for fuel leaks and damage to the propane cylinder prior to operating machine and storage.

Use only propane cylinders that withdraw vapor. Do NOT use an overfilled cylinder. 20 lb of fuel is the maximum.

Turn off service valve on propane cylinder when machine is not in use. Always store propane cylinder in an approved outside location.

The engine on this machine produces carbon monoxide (CO), a DEADLY, colorless, odorless, tasteless, non-irritating, and poisonous gas. Using machine in poorly ventilated area could result in serious injury or death to the operator and other bystanders.

Symptoms of carbon monoxide (CO) poisoning include headaches, dizziness, drowsiness, nausea, or lack of consciousness. If you or a bystander experience such symptoms, shut off the machine immediately and get outside for fresh air. Do NOT operate the machine again until it has been tested by a qualified technician.

6



7



8



9

10



11

**ONYX**

7781 S. Little Egypt Rd., Stanley, NC 28164  
1-704-827-7366 www.onyxolutions.com

• MODEL No. \_\_\_\_\_ •  
• SERIAL No. \_\_\_\_\_ •

PROUDLY ASSEMBLED IN THE USA

12



13



14

**EMMISSION CONTROL INFORMATION**

**LEHR** LLC, Stanley, NC 28164 ENGINE MODEL NUMBER 603L1

THIS ENGINE MEETS U.S. EPA EMISSION REQUIREMENTS FOR 2014 AND MEETS EUROPEAN EMISSION REQUIREMENTS FOR 2014 AND MEETS CANADIAN EMISSION REQUIREMENTS FOR 2014 AND MEETS THIS ENGINE IS CERTIFIED TO OPERATE ON LIQUID PROPANE GAS (LPG).

EMERGENCY REPAIR INFORMATION: 1-800-4-A-LEHR (4253727) OR WWW.LEHR.COM

THIS ENGINE HAS AN EMISSION CONTROL SYSTEM IN COMPLIANCE WITH THE U.S. EPA 40 CFR PART 105.5 REGULATIONS. U.S. EPA ENGINE CERTIFICATION NUMBER: 2014-01-088

15



16



Item	Part No.	Description	Qty
1	W10500	Label - Operating Instruction	1
2	W10501	Label - Keyswitch	1
3	W10502	Label - Throttle	1
4	W10503	Label - Warning, Hot & Moving Parts	1
5	W10504	Label - Danger, Prop. Safety	1
6	W10505	ONYX Trapezoid Label - Engine Shroud Front	1
7	W10506	ONYX Label - Engine Shroud Side	1
8	W10507	3D Label - JX Brand	1
9	W10583	3D Label - SX Brand	1
10	W10508	Label - ONYX Bubble	1
11	W10509	Serial Plate - ONYX Brand	1
12	W10510	Label - LX600 Brand	1
13	W10511	Label - LX600 Brand	1
14	W10512	Label - Emissions Certification 603L1	1
15	W10513	Label - ONYX Oval Nameplate	1
16	W10551	Literature Kit - LP Floor Mach.	1

# ONYX

DESIGNED TO SHINE 

Parts & Service:

Online: [www.OnyxSolutions.com](http://www.OnyxSolutions.com)  
Email: [sales@onyxsolutions.com](mailto:sales@onyxsolutions.com)  
Call: 704-827-9368

ONYX Systems, LLC  
12703 Commerce Station Drive  
Suite 200  
Huntersville, NC 28078  
USA