



Models:
9004202 – Strive Compact 120V
9016493 – Strive Compact w/ Iris 120V



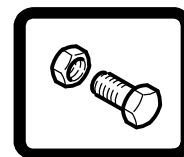
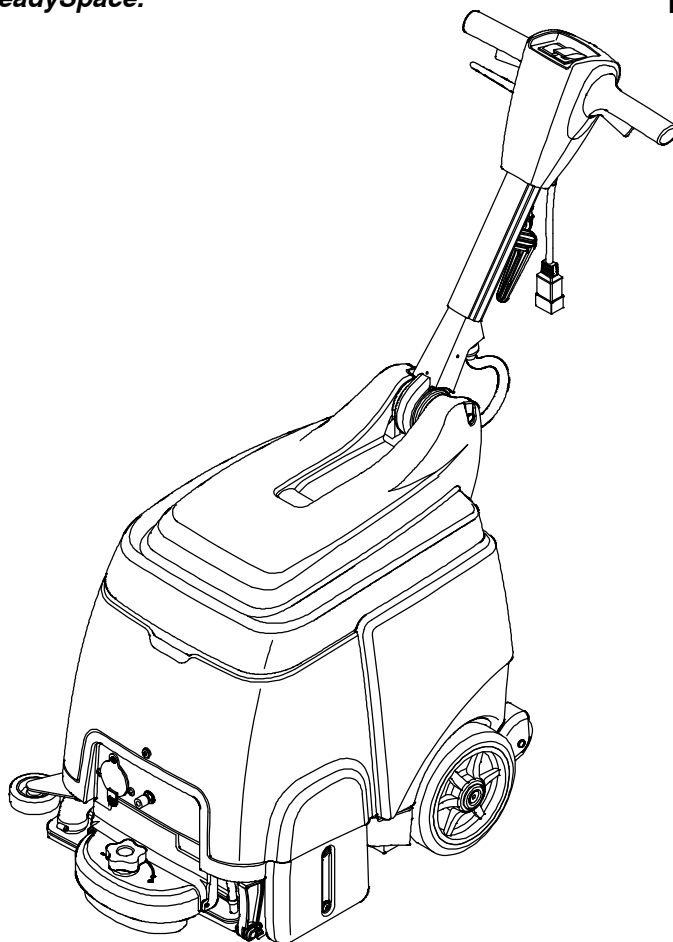
More than clean, it's ReadySpace.™

STRIVE® COMPACT

CARPET CLEANER

(S/N 10000000–20000000)

PARTS MANUAL

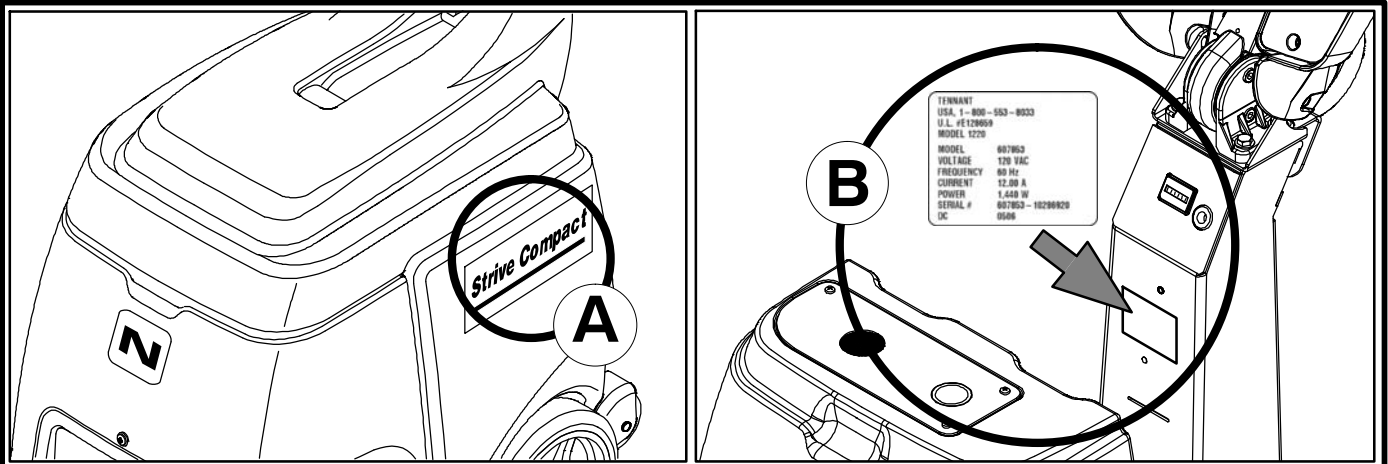


For the latest Parts manuals and other language Operator manuals, visit:

www.nobles.com/manuals

9006290
Rev. 07 (09-2018)





Ref	Part No.	Serial Number	Description	Qty.
1	82681	(000000—)	Bracket W/dt, Lpg Mount	1
▽ 2	63810	(000000—)	Latch Assy, Lpg Tank Mtg, W/Nut	4
▲ 3	51839	(000000—)	Nut Adjustable, Lpg Tank Mtg	2
4	49263	(000000—)	Tie, Cable	3
(D)	82556	(000000—001039)	Bracket, Vaporizer	1
	54930	(000000—)	Vaporizer, LPG	1

HOW TO ORDER PARTS – See diagram above

Only use TENNANT Company supplied or equivalent parts. Parts and supplies may be ordered online, by phone, by fax or by mail.

Follow the steps below to ensure prompt delivery.

1. (A) Identify the machine model.
2. (B) Identify the machine serial number from the data label.
3. (C) Ensure the proper serial number is used from the parts list.
4. Identify the part number and quantity.
Do not order by page or reference numbers.
5. Provide your name, company name, customer ID number, billing and shipping address, phone number and purchase order number.
6. Provide detail shipping instructions.

- (D) ▽ – identifies an assembly
▲ – identifies parts included in assembly

Please fill out at time of installation for future reference.

Model No. – _____

Serial No. – _____

Machine Options – _____

Sales Rep. – _____

Sales Rep. phone no. – _____

Customer ID Number – _____

Installation Date – _____

Tennant Company

PO Box 1452
Minneapolis, MN 55440 USA
Phone: (800) 553-8033
www.nobles.com

Specifications and parts are subject to change without notice.

Copyright © 2009–2018 TENNANT Company, Printed in U.S.A.

RECOMMENDED MAINTENANCE ITEMS

GENERAL RECOMMENDED MAINTENANCE
ITEMS 5

STANDARD PARTS

HANDLE GROUP 6
FRAME GROUP 8
TANKS AND SHROUD GROUP 10
TANK COVER GROUP 12
VACUUM FAN GROUP 14
SOLUTION GROUP 16
SCRUB HEAD GROUP 18
ROLLER TOOL GROUP 20
ELECTRICAL DIAGRAM 22
ELECTRICAL DIAGRAM IRIS TELEMETRY
OPTION 23
WIRE HARNESS, CHASSIS 24
WIRE HARNESS, IRIS TELEMETRY 25

OPTIONS

IRIS TELEMETRY GROUP 26
FLOOR TOOL GROUP, 8 in / 203 mm
(NEW STYLE) 28
FLOOR TOOL GROUP, 8 in / 203 mm
(OLD STYLE) 30
HAND TOOL GROUP, 4 in / 101 mm
(NEW STYLE) 32
HAND TOOL GROUP, 4 in / 101 mm
(OLD STYLE) 33
PUMP-UP CARPET SPRAYER 34
DOCUMENTATION GROUP 35

RECOMMENDED MAINTENANCE ITEMS

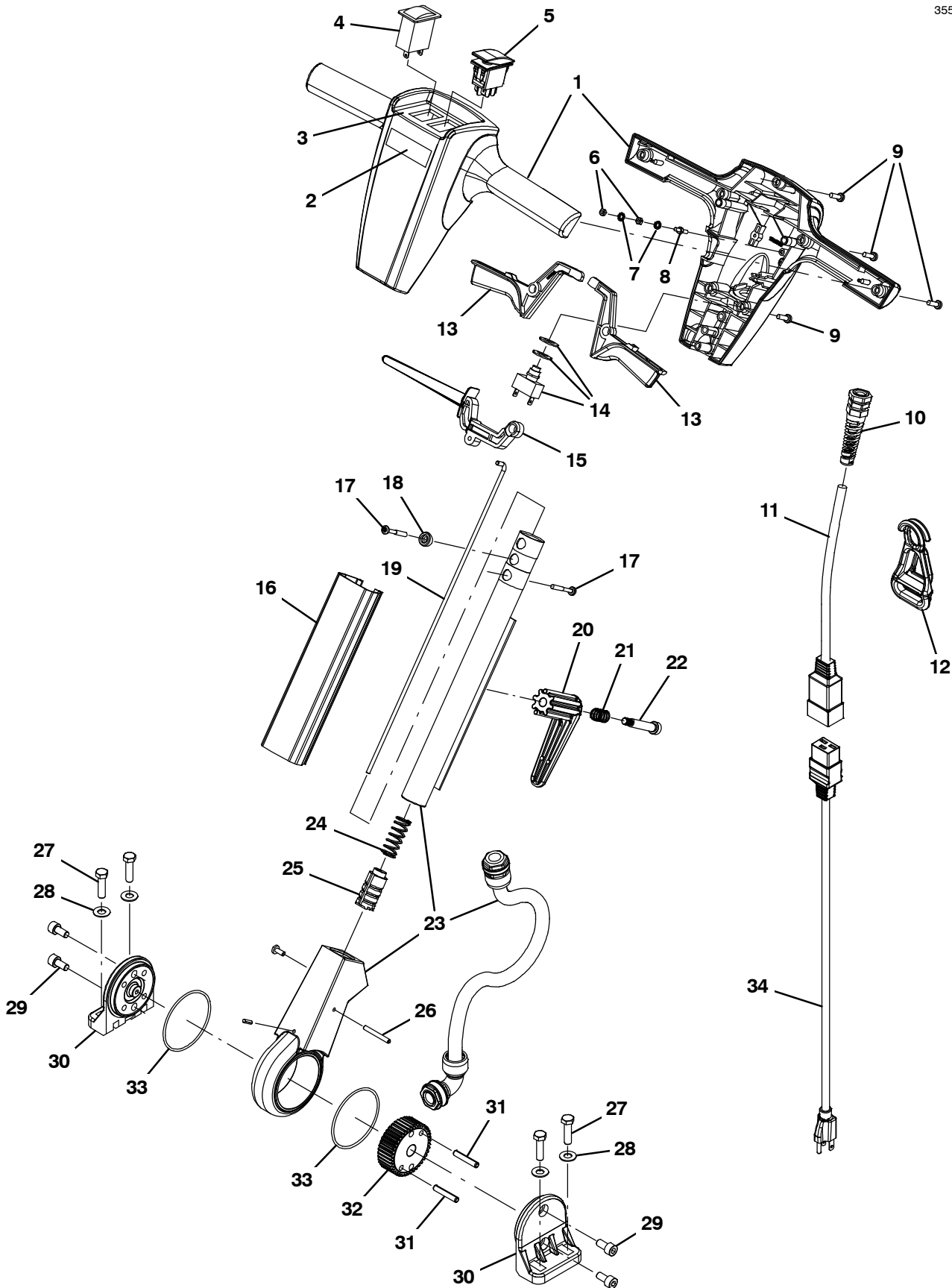
RECOMMENDED MAINTENANCE ITEMS

GENERAL RECOMMENDED MAINTENANCE ITEMS

Part No.	Serial Number	Description	Qty.
1014918	(10000000-20000000)	Wheel, 03.0d 0.88w 0.31b, W/ Bshg, Rbr	2
1039073	(10000000-20000000)	Wheel Assy, 8.0d 2.0w 0.5b W/Brg	2
1074694	(10000000-20000000)	Filter, Tube, Soltn, 200mesh	1
1044370	(10000000-20000000)	Ball, Float, W/O Cage	1
1036090	(10000000-20000000)	Seal, Vacuum [Trex]	2
1052876	(10000000-20000000)	Gasket, Tank	2
605317	(10000000-20000000)	Roller, Sqge, 1.35od X 1.48l [Delrin]	2
1028953	(10000000-20000000)	Roller Assy, Readyspace	2
9004282	(10000000-20000000)	Belt Kit, W/ Installation Tool [Qty 2]	1
1034819	(10000000-20000000)	Gasket, Tool ,Cover	2

HANDLE GROUP

355071



HANDLE GROUP

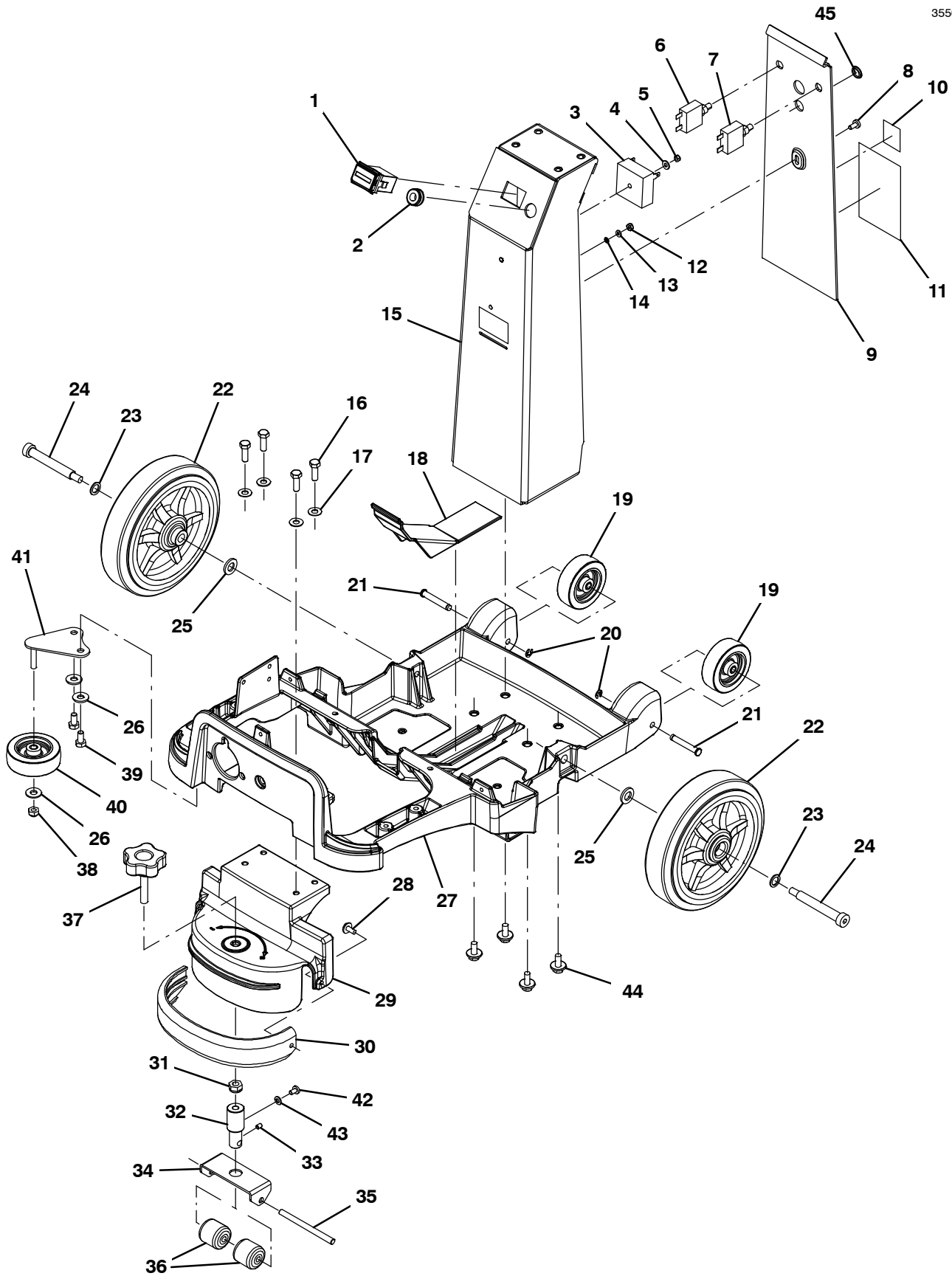
Ref.	Part No.	Serial Number	Description	Qty.
▽	9005513	(10000000-20000000)	Handle, Nobles Strive Compact	1
▲▽	1 9004321	(10000000-20000000)	Cover, Handle Front/Rear Nobles Sc Kit	1
▲▲	1 1039088	(10000000-20000000)	Label, Logo, Handle [Nobles]	1
▲▲	2 1034592	(10000000-20000000)	Label, Opertnl, Instrmt Panl, Readyspace	1
▲	3 1038375	(10000000-20000000)	Gauge, Ammeter, 120vac, 5.0a [Rlr Press]	1
▲	4 602919	(10000000-20000000)	Switch, Rocker, Dpdt, On / On	1
▲	6 42368	(10000000-20000000)	Nut, Hex, Std, M4 X 0.70, 8	2
▲	7 140061	(10000000-20000000)	Washer, Lock, Ext, 08, Pl	2
▲	8 1034952	(10000000-20000000)	Screw, Hex, M4 X 0.7 X 12, Dbl Thrd	1
▲	9 1043573	(10000000-20000000)	Screw, #10-14 X 0.675, Spl[Shcs,Selftap]	7
▲	10 130166	(10000000-20000000)	Grip, Cord, Strainrelief Pg-11 W/Nut Bk	1
▲	11 1042410	(10000000-20000000)	Cord, 14ga /3, 16.0l, W/ Receptacle, Yel	1
▲	12 130176	(10876910-20000000)	Clip, Cord, Strainrelief [Belt] (Yellow)	1
▲	12 1037147	(10000000-10876909)	Clip, Cord, Strainrelief, Black	1
▲	13 1033893	(10000000-20000000)	Lever, Cntrl, Switch [Trex]	2
▲	14 9008568	(10000000-20000000)	Switch Kit, W/ Washers, Fr/ F/1063165	1
▲	15 1034945	(10000000-20000000)	Lever, Adjmt, Handle	1
▲	16 1034181	(10876910-20000000)	Cover, Handle, Gray	1
▲	16 1036599	(10000000-10876910)	Cover, Handle, Nobles [Trex]	1
▲	17 1043572	(10000000-20000000)	Screw, #10-14 X 0.15, Spl[Shcs Selftap]	2
▲	18 1034176	(10000000-20000000)	Bushing, Flng, 5mmb 12mmd 8mml, Pa6	1
▲	19 1034180	(10000000-20000000)	Rod, Release [Trex]	1
▲	20 603104	(10000000-20000000)	Hook, Cord, Blk [Quick-Release]	1
▲	21 603108	(10000000-20000000)	Spring, Cmpr, Switch	1
▲	22 140239	(10000000-20000000)	Bolt, Shld, .38d X 1.75, .31-18	1
▲	23 1045239	(10000000-20000000)	Tube, Assy, Handle [W/Harnesses]	1
▲	24 1013295	(10000000-20000000)	Spring, Cmpr [2100 Series]	1
▲	25 9006059	(10000000-20000000)	Plunger Kit, Handle	1
▲	26 1034924	(10000000-20000000)	Pin, Roll, 04mmd X 40mml	1
▲	27 1016399	(10000000-20000000)	Screw, Hex, M8 X 1.25 X 30, NI, Ss	4
▲	28 140027	(10000000-20000000)	Washer, Flat, 0.35b 0.75d .04, Ss	4
▲	29 49609	(10000000-20000000)	Screw, Soc, M8 X 1.25 X 16, 12.9	4
▲	30 1000307	(10000000-20000000)	Handle, Pivot, Half	2
▲	31 1034155	(10000000-20000000)	Pin, Roll, 06mmd X 36mml	2
▲	32 1034872	(10000000-20000000)	Gear, Lock, Handle	1
▲	33 612422	(10000000-20000000)	Seal, Org, Gear Seat	2
▲	34 1042403	(10000000-20000000)	Cord, Power, 1.5mm /3 Yel[2x15m 50ft Us]	1

▽ ASSEMBLY

▲ INCLUDED IN ASSEMBLY

FRAME GROUP

355064



FRAME GROUP

Ref.	Part No.	Serial Number	Description	Qty.
1	1064038	(10000000-20000000)	Gauge, Hourmeter, 05-277 Volt, Ac / Dc	1
2	86726	(10000000-20000000)	Grommet, Rbr, 0.44id, F/0.5h, .19 Matl	1
3	1032018	(10000000-20000000)	Module, Timer, 120vac [Trex Readyspace]	1
4	01683	(10000000-20000000)	Washer, Flat, 10, Ss	1
5	09739	(10000000-20000000)	Nut, Hex, Lock, M5 X 0.80, NI, Ss	1
6	383720	(10000000-20000000)	Circuitbreaker, 05.0a, Resetable	1
7	383722	(10000000-20000000)	Circuitbreaker, 15.0a, Resetable	1
8	74027	(10000000-20000000)	Screw, Pan, Phl, M6 X 1.00 X 12, NI, PI	1
▽	9	9004275	(10000000-20000000) Cover Kit, Column , W/ Label [5gal 120v]	1
▲	10	NA	(10000000-20000000) Label, Safety, 120vac [Etl]	1
▲	11	1039105	(10000000-20000000) Label,Warning,Ac Scrb/Extr [En/Fr/Es/Jp]	1
	12	1044427	(10000000-20000000) Nut, Hex, Lock, #8-32, NI, Ss	1
	13	41578	(10000000-20000000) Washer, Flat, 06, Ss	1
	14	02938	(10000000-20000000) Washer, Lock, Int, 08, Ss	1
	15	9004274	(10000000-20000000) Column Kit, Sppt, W/ Label [5 Gal]	1
	16	1015852	(10000000-20000000) Screw, Hex, M8 X 1.25 X 25, NI, FI, Ss	4
	17	140027	(10000000-20000000) Washer, Flat, 0.35b 0.75d .04, Ss	4
	18	1031418	(10000000-20000000) Cover, Frame, Rear [Trex]	1
	19	1014918	(10000000-20000000) Wheel, 03.0d 0.88w 0.31b, W/ Bshg, Rbr	2
	20	1035139	(10000000-20000000) Ring, Retaining, Ext, 0.31d, E-Type	2
	21	1035137	(10000000-20000000) Pin, Clevis, Grvd 0.31d X 2.00l, Ss	2
	22	1039073	(10000000-20000000) Wheel Assy, 8.0d 2.0w 0.5b W/Brg	2
	23	1038770	(10000000-20000000) Washer, Flat, 0.50b 0.75d 0.06, Ss	2
	24	1033757	(10000000-20000000) Bolt, Shld, .50 X 3.25, .38-16, Ss	2
	25	33925	(10000000-20000000) Washer, Flat, M12, Ss	2
	26	01685	(10000000-20000000) Washer, Flat, 0.38b 0.88d .08, Ss	3
	27	1031527	(10000000-20000000) Frame (Machined)	1
	28	1019349	(10000000-20000000) Screw, Trs, M6 X 1.00 X 16, Ss, Sems	2
	29	1051665	(10000000-20000000) Bracket, Adjustment, Head	1
	30	1036668	(10000000-20000000) Bumper, Front	1
	31	08714	(10000000-20000000) Nut, Hex, Lock, M10 X 1.5, NI, Ss	1
	32	1051666	(10000000-20000000) Adjuster, Roller	1
	33	09162	(10000000-20000000) Screw, Set, Soc, M6 X 1.00 X 8, NI	1
	34	1035496	(10000000-20000000) Bracket, Roller	1
	35	1035519	(10000000-20000000) Bar, Rnd, Stl, 0.31d X 4.09l, 2cham	1
	36	605317	(10000000-20000000) Roller, Sqge, 1.35od X 1.48l [Delrin]	2
	37	1036002	(10000000-20000000) Knob, Adj, M10 X50 Stud, Blk	1
	38	08713	(10000000-20000000) Nut, Hex, Lock, M8 X 1.25, NI, Ss	1
	39	49826	(10000000-20000000) Screw, Hex, M8 X 1.25 X 16, NI, Ss	2
	40	1014918	(10000000-20000000) Wheel, 03.0d 0.88w 0.31b, W/ Bshg, Rbr	1
	41	1034805	(10000000-20000000) Bracket, Bumper Wheel	1
	42	48732	(10000000-20000000) Screw, Pan, Phl, M6 X 1.00 X 10, Ss	1
	43	140016	(10000000-20000000) Washer, Lock, Split, 0.25, Ss	1
	44	1020341	(10000000-20000000) Screw, Hex, M8 X 1.25 X 20, Ss, Sems	4
	45	57167	(10000000-20000000) Plug, Hole, Rnd, 0.62h .03-.12, Blk Nyl (Non-Telemetry Models)	1
N/S	1033926	(10000000-20000000)	Harness, Chassis, Ele [T-Rex Readyspace]	1

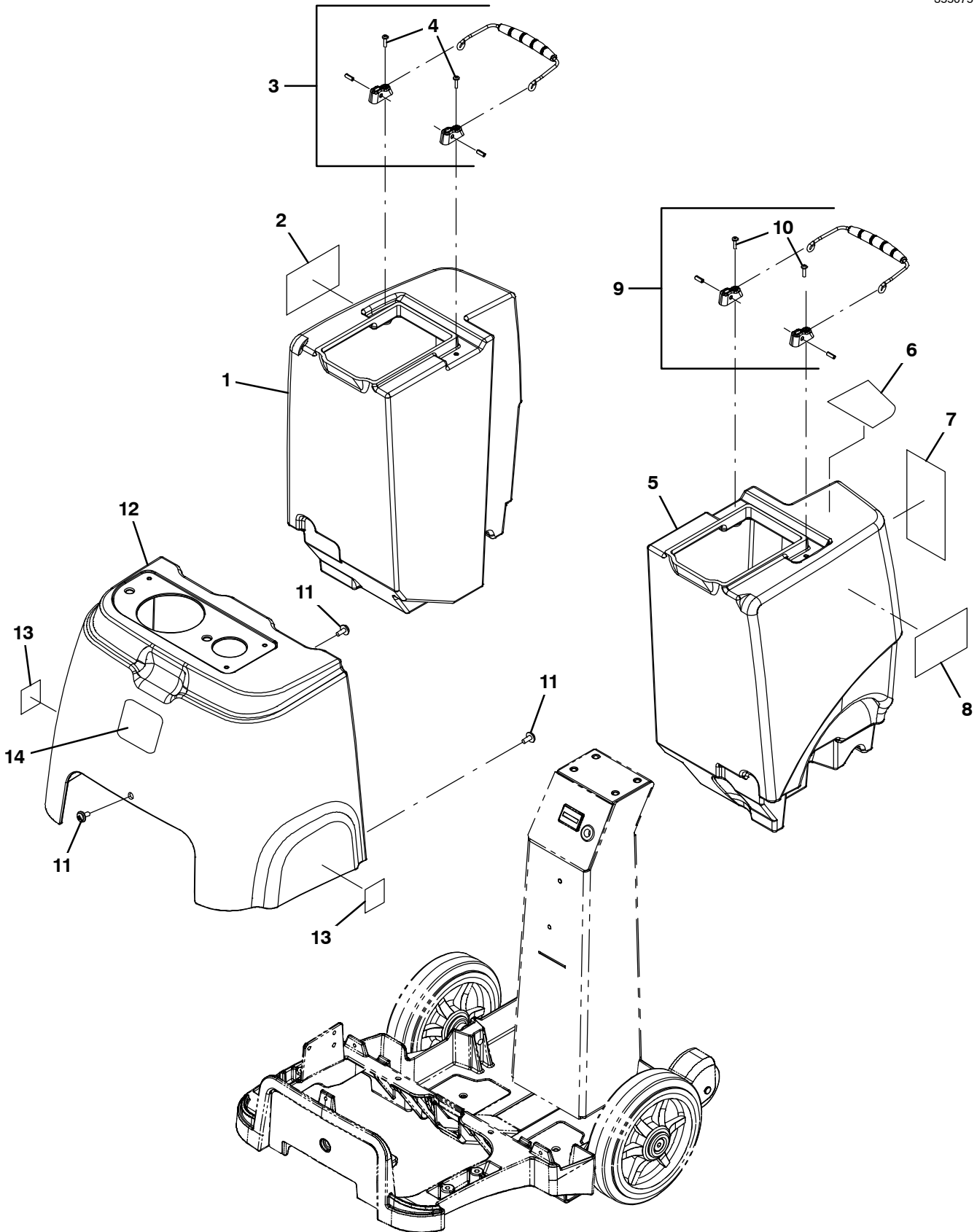
▽ ASSEMBLY

▲ INCLUDED IN ASSEMBLY

N/S = NOT SHOWN

TANKS AND SHROUD GROUP

355075



TANKS AND SHROUD GROUP

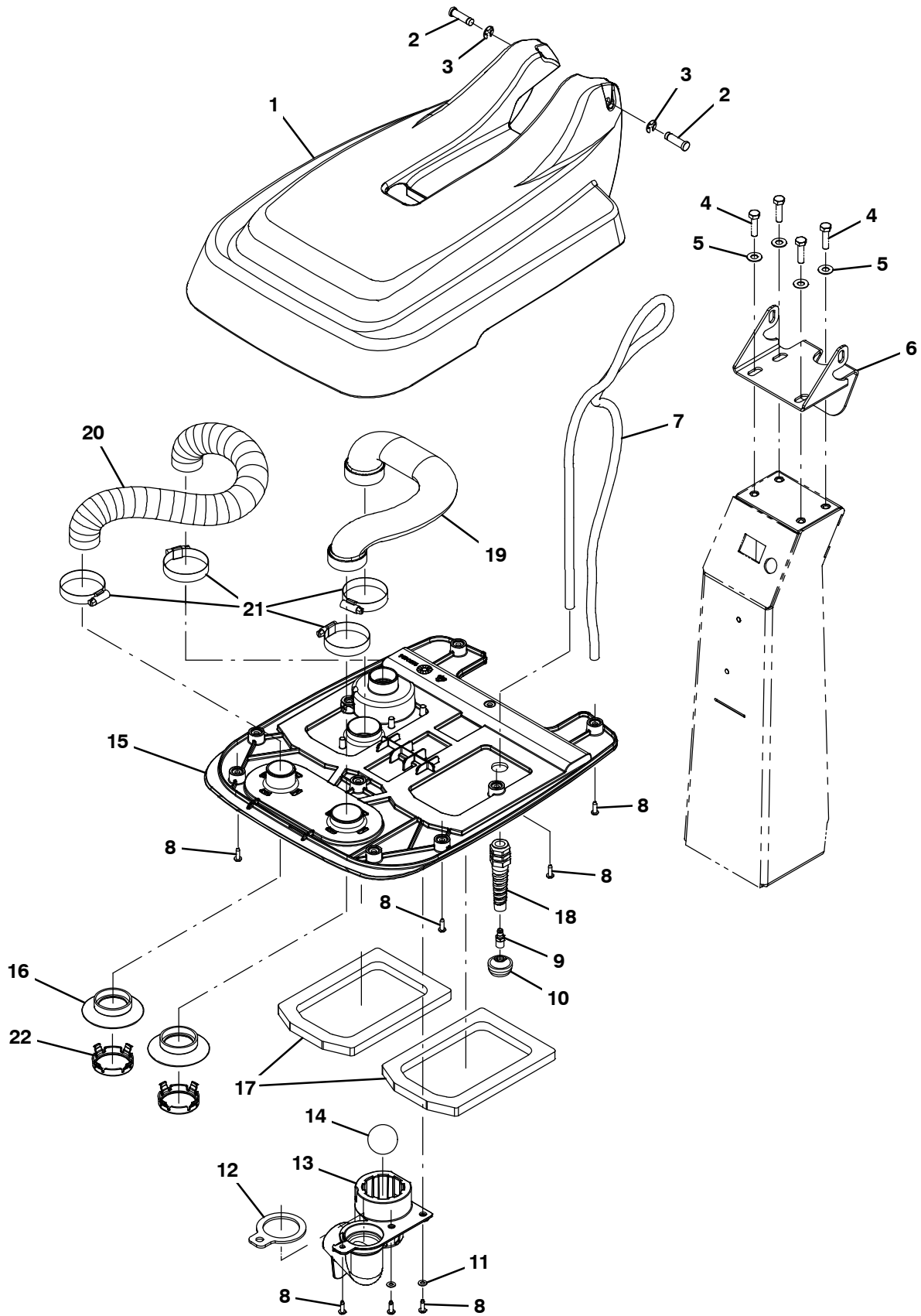
Ref.	Part No.	Serial Number	Description	Qty.
▽	1	9016190	(10876910-20000000) Tank Kit, Recvy W/Labels [Nob Gray 5gal]	1
▽	1	9004304	(10000000-10876909) Tank, Rec W/ Labels Nobles 5 Gal Kit	1
▲	2	1039499	(10000000-20000000) Label, Side [Strive Compact]	1
▲▽	3	9004285	(10000000-20000000) Handle, Tank Kit	1
▲▲	4	24265	(10000000-20000000) Screw, Pan, Phl, M4 X 0.70 X 16, Ss	2
▽	5	9016191	(10876910-20000000) Tank Kit, Soltn W/Labels [Nob Gray 5gal]	1
▽	5	9004306	(10000000-10876909) Tank, Sol W/ Labels Nobles 5 Gal Kit	1
▲	6	1038968	(10000000-20000000) Label, Soltn, Tank [5.0 Gal]	1
▲	7	1040113	(10000000-20000000) Label, Oper, Instr [Readyspace]	1
▲	8	1039499	(10000000-20000000) Label, Side [Strive Compact]	1
▲▽	9	9004285	(10000000-20000000) Handle, Tank Kit	1
▲▲	10	24265	(10000000-20000000) Screw, Pan, Phl, M4 X 0.70 X 16, Ss	2
	11	1019349	(10000000-20000000) Screw, Trs, M6 X 1.00 X 16, Ss, Sems	3
▽	12	9004300	(10000000-20000000) Shroud, W/ Labels Nobles 5 Gal Kit	1
▲	13	578769	(10000000-20000000) Decal, Moving Parts Textless	2
▲	14	1034636	(10000000-20000000) Label, Front, 3.00 [Nobles Icon]	1

▽ ASSEMBLY

▲ INCLUDED IN ASSEMBLY

TANK COVER GROUP

355047



TANK COVER GROUP

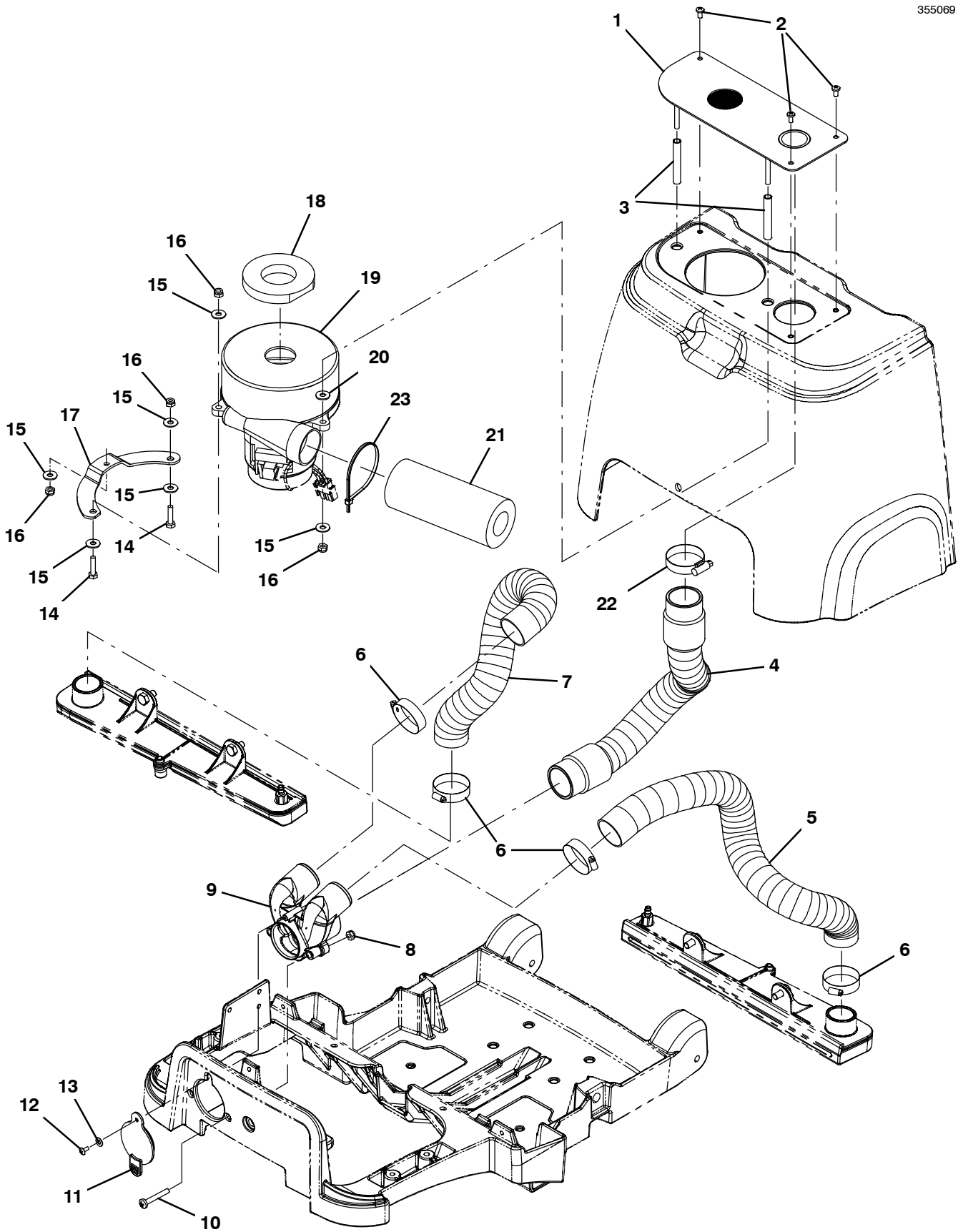
Ref.	Part No.	Serial Number	Description	Qty.	
1	1037759	(10000000-20000000)	Cover , Tanks, Upper, Nobles [Trex]	1	
2	1035358	(10000000-20000000)	Pin, Grvd, 0.375d, 1.25l	2	
3	24555	(10000000-20000000)	Ring, Retaining, Ext, 0.38d, [E-Ring]	2	
4	1016399	(10000000-20000000)	Screw, Hex, M8 X 1.25 X 30, NI, Ss	4	
5	140027	(10000000-20000000)	Washer, Flat, 0.35b 0.75d .04, Ss	4	
6	1034346	(10000000-20000000)	Bracket, Pivot, Cover, Mtg	1	
7	1036063	(10000000-20000000)	Hose, Soltn, .25 Id, .453 Od, 56.0 L	1	
8	140340	(10000000-20000000)	Screw, Pan, Phl, 10-24 X 0.62, Ss[Typ25]	13	
9	1042715	(10000000-20000000)	Fitting, Brs, Str, Bm04/Pm02	1	
10	1074694	(10000000-20000000)	Filter, Tube, Soltn, 200mesh	1	
11	140011	(10000000-20000000)	Washer, Flat, 0.21b 0.45d .03, Ss	2	
12	1051274	(10000000-20000000)	Gasket, Shield, Float	1	
13	1042277	(10000000-20000000)	Shield, Float	1	
14	1044370	(10000000-20000000)	Ball, Float, W/O Cage	1	
▽	15	9005924	(10000000-20000000)	Cover, Tank, Inner W/ Seals, Kit	1
▲	16	1036090	(10000000-20000000)	Seal, Vacuum [Trex]	2
▲	17	1052876	(10000000-20000000)	Gasket, Tank	2
▲	18	602849	(10000000-20000000)	Strainrelief, Cord, Ele, Pm08, Blk Nyl	1
	19	1035866	(10000000-20000000)	Hose, Recvy, Formed [Trex]	1
	20	1037756	(10000000-20000000)	Hose, Vacuum, 1.5od, 18.0l [Wire-Reinf]	1
	21	140308	(10000000-20000000)	Clamp, Hose, Wormdrive, 1.31-2.25d, .50w	4
	22	1054345	(10451589-20000000)	Clip, Retaining, Seal	2

▽ ASSEMBLY

▲ INCLUDED IN ASSEMBLY

VACUUM FAN GROUP

355069



VACUUM FAN GROUP

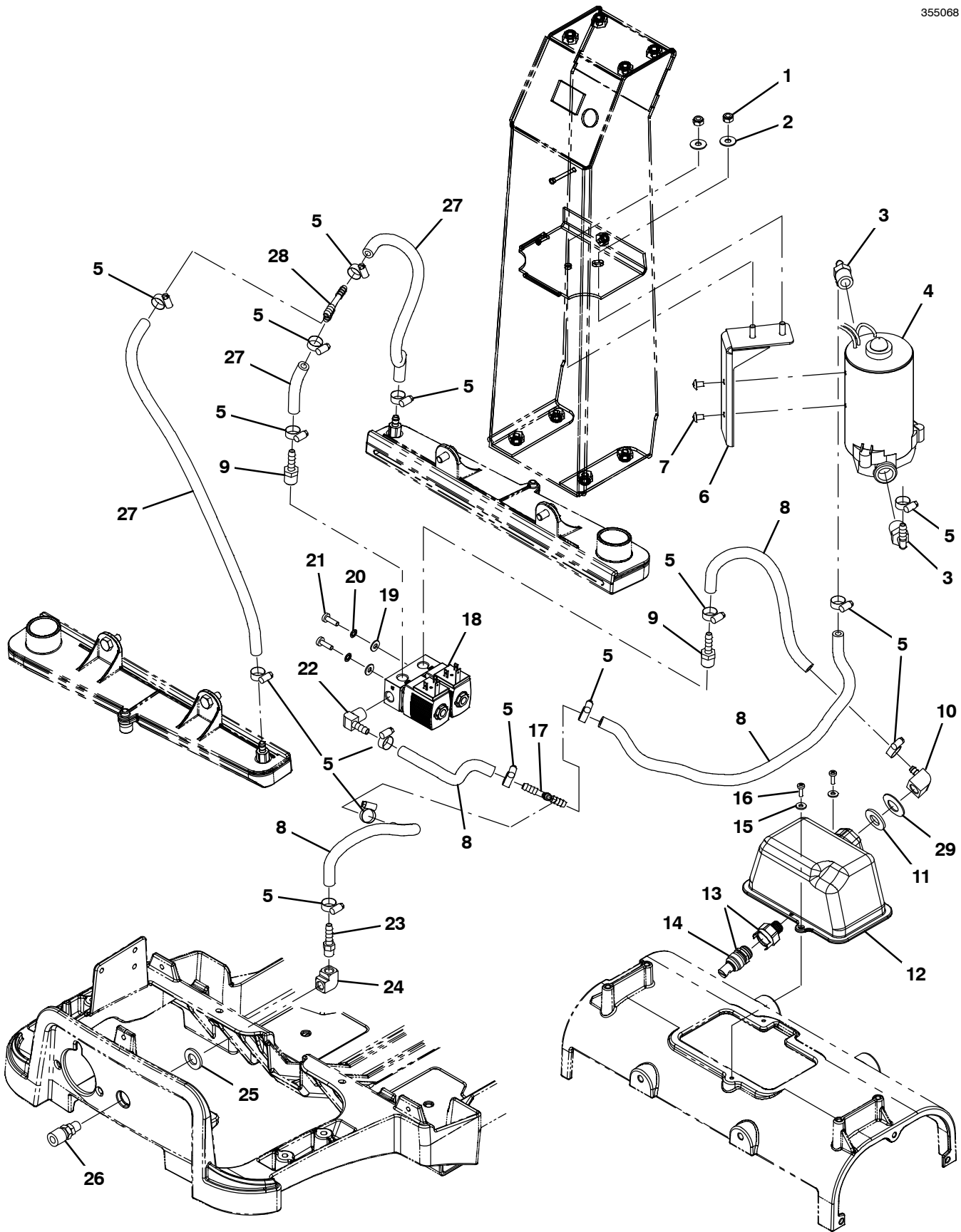
Ref.	Part No.	Serial Number	Description	Qty.	
1	1031960	(10000000-20000000)	Plate, Mtg, Vacuum	1	
2	1026454	(10000000-20000000)	Screw, Pan, Phl, M5 X 0.80 X 10, Ss	3	
3	610144	(10000000-20000000)	Spacer, Fan	2	
4	1032555	(10000000-20000000)	Hose, Vacuum, 1.50id X 19.5l, 2cuff, Clr	1	
5	1038373	(10000000-20000000)	Hose, Vacuum, Wir, 38.0id X 570.0l, Clr	1	
6	79381	(10000000-20000000)	Clamp, Hose, Wormdrive, 1.25-2.00d, .50w	4	
7	1038379	(10000000-20000000)	Hose, Vacuum, Wir, 38.0id X 335.0l, Clr	1	
8	08708	(10000000-20000000)	Nut, Hex, Lock, M6 X 1.00, NI	2	
9	1050092	(10000000-20000000)	Manifold, Soltn, Wand [Trex]	1	
10	09258	(10000000-20000000)	Screw, Pan, Phl, M6 X 1.00 X 40, 4.8	2	
11	607183	(10000000-20000000)	Seal, Cap, Vacuum Tool [607170]	1	
12	140801	(10000000-20000000)	Screw, Trs, Phl, 08-32 X 0.38, Ss	1	
13	140011	(10000000-20000000)	Washer, Flat, 0.21b 0.45d .03, Ss	1	
14	09007	(10000000-20000000)	Screw, Hex, M6 X 1.00 X 25, Ss	2	
15	01684	(10000000-20000000)	Washer, Flat, 0.27b 0.69d .05, Ss	6	
16	08708	(10000000-20000000)	Nut, Hex, Lock, M6 X 1.00, NI	4	
17	1034069	(10000000-20000000)	Plate, Vac Mounting	1	
18	630010	(10000000-20000000)	Gasket, 12.7mm Th, 43mmid 73mmmod	1	
▽	19	9012566	(10669373-20000000)	Fan Kit, Vacuum, 5.7d, 120vac, 2 Stage	1
	19	1071839	(10000000-10669372)	Fan, Vacuum, 5.7d, 120 Vac, 2 Stage (Replaced by 9012566)	1
▲		1071842	(10669373-20000000)	Vr, Brush Kit, Vac Fan 1071839	1
▲	20	01684	(10000000-20000000)	Washer, Flat, 0.27b 0.69d .05, Ss	1
	21	600009	(10000000-20000000)	Muffler, Exhaust, Vacfan	1
	22	11531	(10000000-20000000)	Clamp, Hose, Wormdrive, 1.06-2.00d, .56w	1
	23	130773	(10000000-20000000)	Tie, Cable, Nyl, 11.0l, .14w, 3.0 Max. D	1

▽ ASSEMBLY

▲ INCLUDED IN ASSEMBLY

SOLUTION GROUP

355068



SOLUTION GROUP

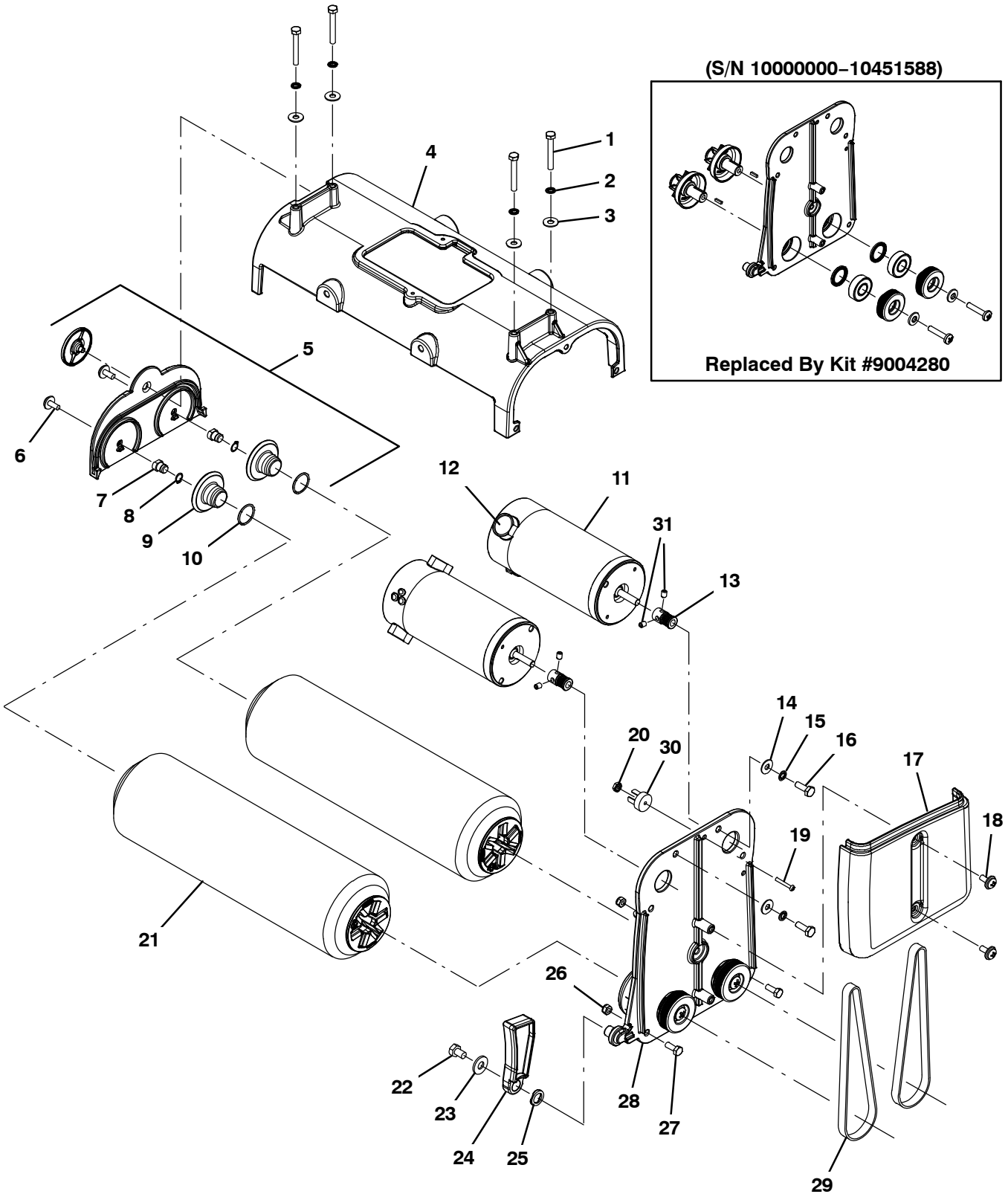
Ref.	Part No.	Serial Number	Description	Qty.	
1	08712	(10000000-20000000)	Nut, Hex, Lock, M6 X 1.00, NI, Ss	2	
2	01684	(10000000-20000000)	Washer, Flat, 0.27b 0.69d .05, Ss	2	
3	150417	(10000000-20000000)	Fitting, Plstc, E90, Bm04/Pm06	2	
4	1031915	(10000000-20000000)	Pump, Soltn, Ele, 110vac	1	
5	43844	(10000000-20000000)	Clamp, Hose, Wormdrive, 0.25-0.62d, .31w	15	
6	1034331	(10000000-20000000)	Bracket, Pump	1	
7	140874	(10000000-20000000)	Screw, Hex, 10-32 X 0.38, PI [Inwa Ty1]	2	
8	606364	(10000000-20000000)	Hose, Pvc, Brd, 0.25id 0.50od 60.0l,Gray (160204)	1	
9	150515	(10000000-20000000)	Fitting, Brs, Str, Bm04/Pm04 [Taped]	2	
10	1028773	(10000000-20000000)	Fitting, Brs, E90, Bm04/Pf04	1	
11	32486	(10000000-20000000)	Washer, Flat, 0.50, Sae	1	
12	1033445	(10000000-20000000)	Shroud, Splash, Nozzle [Trex]	1	
▽	13	1061033	(10000000-20000000)	Nozzle Assy, Spray [1/4qjja+Qtka-1]]	1
▲	14	1034685	(10000000-20000000)	Nozzle, Tip, Spray [Qtka]	1
15	41579	(10000000-20000000)	Washer, Flat, 08, Ss	2	
16	579237	(10000000-20000000)	Screw, Pan, Phl, M4 X 0.70 X 12, Ss	2	
17	150713	(10000000-20000000)	Fitting, Plstc, Tee, Bm04/Bm04/Bm04	1	
18	1037846	(10000000-20000000)	Manifold, Soltn, 120 Volt	1	
19	01683	(10000000-20000000)	Washer, Flat, 10, Ss	2	
20	07514	(10000000-20000000)	Washer, Lock, Int, 10, Ss	2	
21	140841	(10000000-20000000)	Screw, Pan, Phl, 10-32 X 0.62, Ss	2	
22	150418	(10000000-20000000)	Fitting, Brs, E90, Bm04/Pm04	1	
23	150525	(10000000-20000000)	Fitting, Brs, Str, Bm04/Pm02	1	
24	150402	(10000000-20000000)	Fitting, Brs, E90, Pf02/Pf02	1	
25	3148.816	(10000000-20000000)	Washer, Flat, 0.52b 0.88d .06, Stl, PI	1	
26	150915	(10000000-20000000)	Fitting, Brs, Qdc, Pm02, Fem [Ser 5]	1	
27	606161	(10000000-20000000)	Hose, Pvc, Brd, 0.25id 0.50od 36.0l,Gray (160204)	1	
28	150713	(10000000-20000000)	Fitting, Plstc, Tee, Bm04/Bm04/Bm04	1	
29	1035296	(10000000-20000000)	Washer, Flat, Belleville, .567	1	

▽ ASSEMBLY

▲ INCLUDED IN ASSEMBLY

SCRUB HEAD GROUP

355066



SCRUB HEAD GROUP

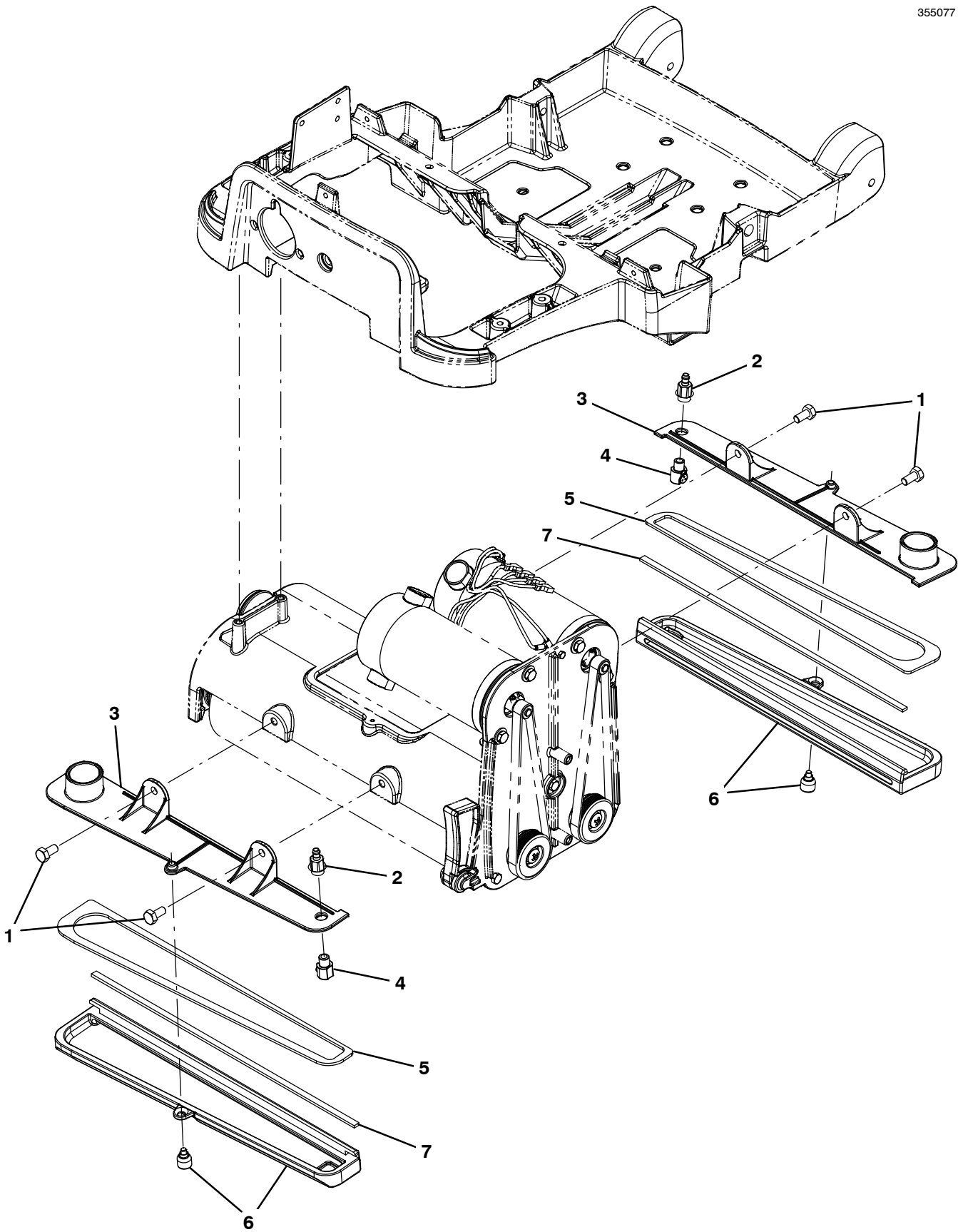
Ref.	Part No.	Serial Number	Description	Qty.
	1	1045325	(10000000-20000000) Screw, Hex, M6 X 1.00 X 45, Ss	8
	2	1027144	(10000000-20000000) Washer, Lock, Int, M6, Ss	8
	3	01684	(10000000-20000000) Washer, Flat, 0.27b 0.69d .05, Ss	8
	4	1054903	(10000000-20000000) Housing, Brush, Dbl, 40cm	1
▽	5	9007963	(10000000-20000000) Door Kit, Brush, W/ Hdwr	1
▲	6	1019349	(10000000-20000000) Screw, Trs, M6 X 1.00 X 16, Ss, Sems	2
▲	7	1030682	(10000000-20000000) Shaft, Idler Plug	2
▲	8	01543	(10000000-20000000) Ring, Retaining, Ext, 0.39d, Basic	2
▲	9	1030680	(10000000-20000000) Hub, Idler, Brush	2
▲	10	1042312	(10000000-20000000) Seal, Org, .103 X .862 Id, 118	2
▽	11	1072721	(10656884-20000000) Motor, Ele, 115vdc 1550rpm .25hp 2.3a	2
▲	12	1067897	(10656884-20000000) Vr, Brush Kit, Motor	4
▽	11	1035298	(10000000-10656883) Motor, .25hp, 115vdc, 2.1a, 1550 Rpm (Replaced by 1072721)	2
▲	12	1045465	(10000000-10656883) Brush, Carbon (Pk=2) Ref Part 1035298	4
	13	1030623	(10000000-20000000) Sheave, 07grv, 16.03pd [Ph]	2
	14	01684	(10000000-20000000) Washer, Flat, 0.27b 0.69d .05, Ss	4
	15	07515	(10000000-20000000) Washer, Lock, Int, 0.25, Ss	4
	16	34323	(10000000-20000000) Screw, Hex, .25-20 X 0.75, NI	4
	17	1037928	(10000000-20000000) Cover, Belt, Spg (Dual Roller)	1
	18	1019349	(10000000-20000000) Screw, Trs, M6 X 1.00 X 16, Ss, Sems	2
	19	140946	(10000000-20000000) Screw, Rnd, Slt, 06-32 X 1.00, Nyl	1
	20	140534	(10000000-20000000) Nut, Hex, #06-32, Nyl	1
	21	1028953	(10000000-20000000) Roller Assy, Readyspace	2
	22	386868	(10000000-20000000) Screw, Hex, M8 X 1.25 X 12, Ss	1
	23	07515	(10000000-20000000) Washer, Lock, Int, 0.25, Ss	1
	24	1042443	(10000000-20000000) Support, Kickstand, Blk, Nyl	1
	25	140060	(10000000-20000000) Washer .505x.750x.045 Wave	1
	26	08712	(10000000-20000000) Nut, Hex, Lock, M6 X 1.00, NI, Ss	3
	27	15678	(10000000-20000000) Screw, Hex, M6 X 1.00 X 16, Ss	3
	28	9004280	(10000000-20000000) Bracket, Motor Mount W/ Bearing/Seal Kit	1
	29	9004282	(10000000-20000000) Belt Kit, W/ Installation Tool [Qty 2]	1
	30	130288	(10000000-20000000) Rectifier, Bridge, Rnd, 12a 1000volt, Ce	1
	31	09162	(10000000-20000000) Screw, Set, Soc, M6 X 1.00 X 8, NI	4

▽ ASSEMBLY

▲ INCLUDED IN ASSEMBLY

ROLLER TOOL GROUP

355077

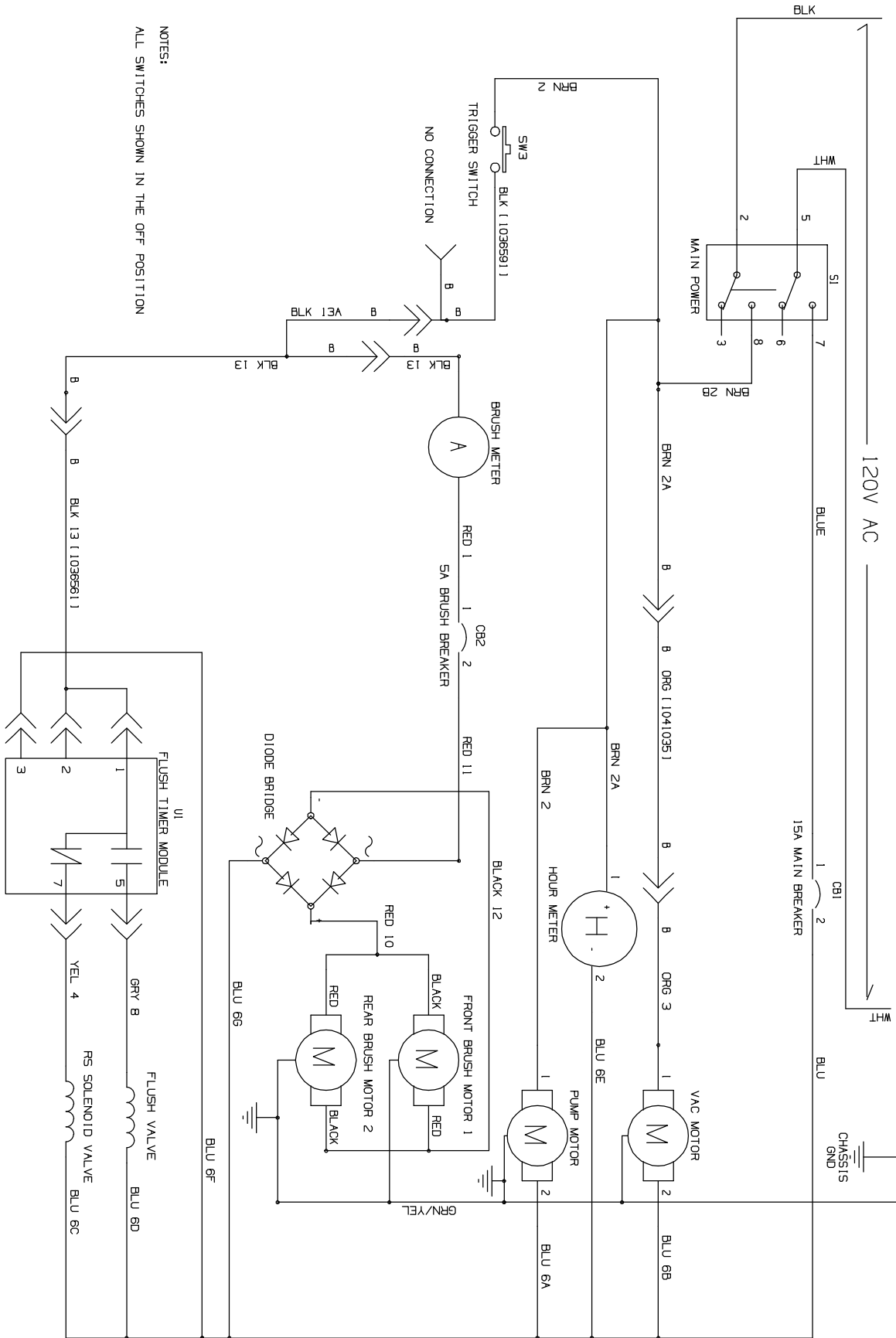


ROLLER TOOL GROUP

Ref.	Part No.	Serial Number	Description	Qty.
1	49826	(10000000-20000000)	Screw, Hex, M8 X 1.25 X 16, NI, Ss	4
2	1040254	(10000000-20000000)	Fitting, Brs, Str, Bm04/Pf02	2
3	1054838	(10000000-20000000)	Cover, Tool, Str Roll Vacuum, 380mm	2
4	1037380	(10000000-20000000)	Nozzle, Flush, Readyspace	2
5	1034819	(10000000-20000000)	Gasket, Tool ,Cover	2
6	9004284	(10000000-20000000)	Cover, Tool W/ Hardware Kit	2
7	9006593	(10000000-20000000)	R3 Foam Gasket Service Kit	1

ELECTRICAL DIAGRAM

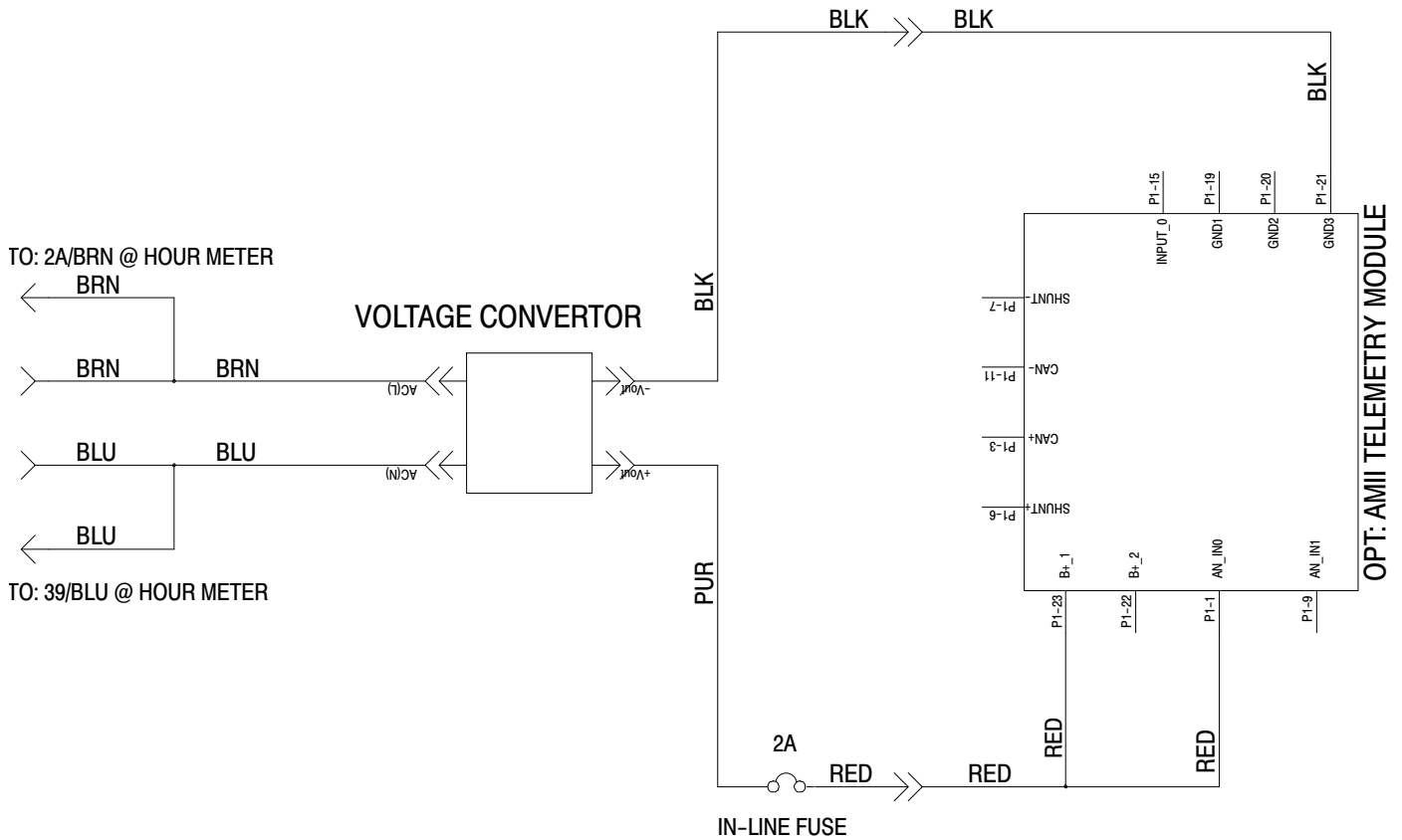
1046175_E



NOTES:
ALL SWITCHES SHOWN IN THE OFF POSITION

ELECTRICAL DIAGRAM IRIS TELEMETRY OPTION

1046175



- NOTES:
- 2A/BRN AND 39/BLU @ HOUR METER HAVE AC VOLTAGE WHEN THE MACHINE IS ON.
 - +12VDC VOLTAGE ON THE OUTPUT OF THE VOLTAGE CONVERTOR TELLS THE TELEMETRY MODULE THAT THE MACHINE IS RUNNING.

OPTIONAL:
TELEMETRY ONLY

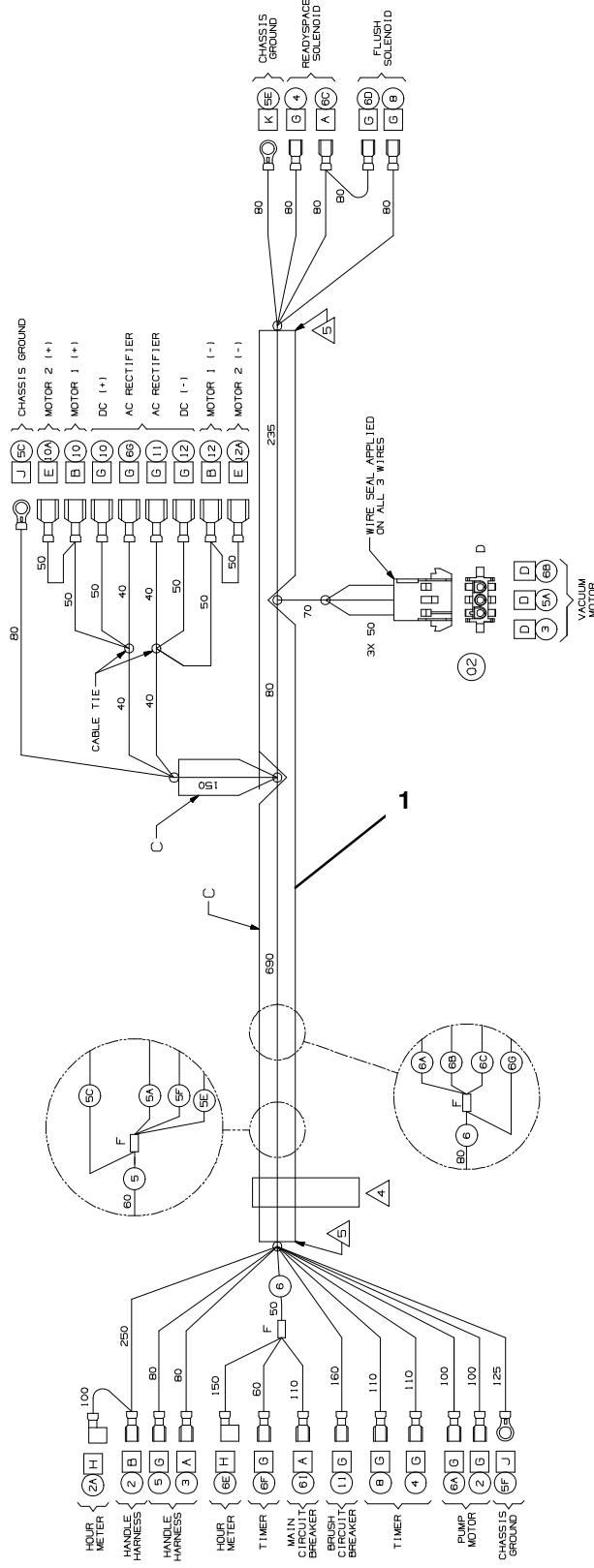
WIRE HARNESS, CHASSIS

355593

TERMINAL	TERMINAL TYPE & SIZE	MFR	MANUFACTURER'S PART NUMBER
A	.25" (14-14) FEMALE FULLY INSULATED TERMINAL	AMP	3-350920-2
B	.25" (14-18) FULLY INSULATED MALE TAB TERMINAL	AMP	3-521191-2
C	BLACK NYLON BRAIDING		
D	CONNECTOR BODY 3 CIRCUIT MALE-N-K	AMP	WIRE SEAL P/N: 784272-1 MALE TERMINAL P/N: 350887-1
E	.25" (18-22) FULLY INSULATED MALE TAB TERMINAL	AMP	2-520103-2
F	ALTRALSOINC CRIMP AND COVER WITH HEATSHRINK		
G	.25" (18-22) FEMALE FULLY INSULATED TERMINAL	AMP	2-520184-2
H	.25" (18-22) FEMALE FULLY INSULATED FLAG TERMINAL	AMP	2-520129-2
J	#8 UNINSULATED RING TERMINAL 16-22 AWG	AMP	34108
K	#10 UNINSULATED RING TERMINAL 16-22 AWG	AMP	34109

WIRE No.	AWG	COLOR
6C	18	BLUE
6D	18	BLUE
6E	18	BLUE
6F	18	BLUE
6G	18	BLUE
6H	18	BLUE
6I	14	BLUE
6J	14	BLUE
7		NOT USED
8	18	GRAY
9		NOT USED
10	18	RED
10A	18	RED
11	18	RED
11A		NOT USED
12	18	BLACK
12A	18	BLACK

WIRE No.	AWG	COLOR
1		NOT USED
1A		NOT USED
2	18	BROWN
2A	18	BROWN
2B	18	NOT USED
3	14	ORANGE
4	18	YELLOW
5	18	GREEN/YELLOW
5A	18	GREEN/YELLOW
5B	18	NOT USED
5C	18	GREEN/YELLOW
5E	18	GREEN/YELLOW
5F	18	GREEN/YELLOW
6	14	BLUE
6A	18	BLUE
6B	14	BLUE



Ref.	Part No.	Serial Number	Description	Qty.
1	1033926	(1000000-2000000)	Harness, Chassis, Ele [T-Rex Readyspace]	1

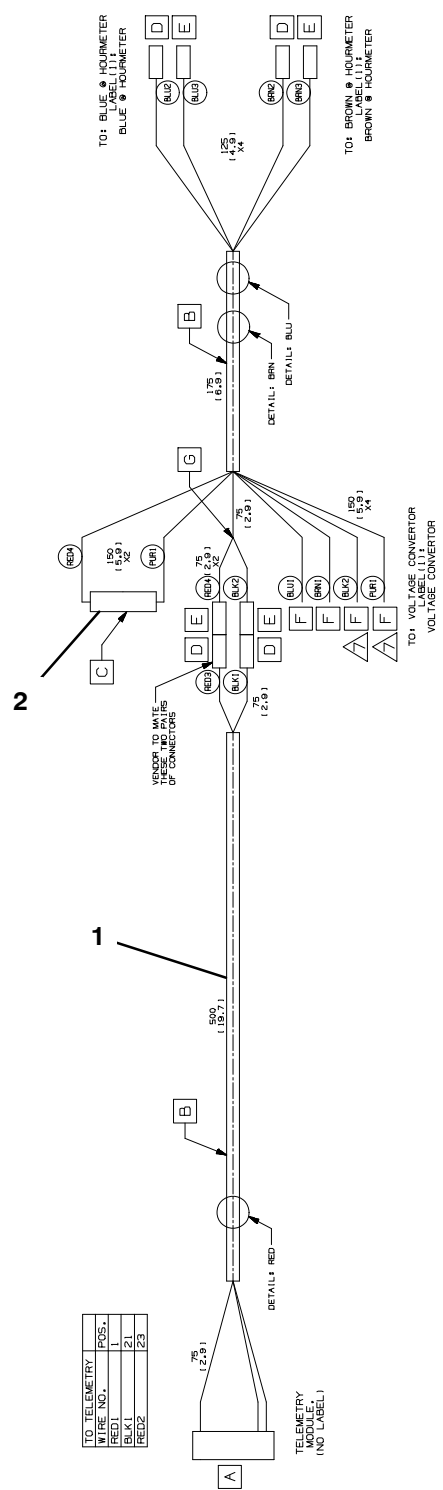
WIRE HARNESS, IRIS TELEMETRY

355592

WIRE NO	GA
BRN1	18
BRN2	18
BRN3	18
BLU1	18
BLU2	18
BLU3	18
RED1	18
RED2	18
RED3	18
RED4	18
BLK1	18
BLK2	18
PUR1	18

WIRE NO	GA
BRN1	18
BRN2	18
BRN3	18
BLU1	18
BLU2	18
BLU3	18
RED1	18
RED2	18
RED3	18

ITEM	DESCRIPTION
A	CONNECTOR (1), AMPSEAL, FEMALE, .23", #770680-1, TERMINALS (3), FEMALE, 18-20GA, #770878-1, UNUSED POSITIONS ARE SEALED INTERNALLY, AND DO NOT REQUIRE SEAL PLUG
B	HARNESS COVERING (AS REQ.): NYLON, BLACK, SLOTTED FLEXIBLE CONVOLUTED TUBING, TUBING SIZED TO ENGAGE, DO NOT OVERSIZE, ALL INTERSECTIONS AND ENDS TO BE TAPED WITH BLACK ELECTRICAL TAPE. ALL TUBING TO BE TIGHTLY SECURED TO WIRE WITH STRIPPED INSULATION. ALL WIRE ENDS TO BE TIGHTLY SECURED TO STRIP WITH STRIPPED INSULATION.
C	BULGIN IN-LINE FUSEHOLDER, #470185, LOADED WITH 2-0AMP FUSE, BUSSMANN #ABC-2-R, OR LITTELFUSE #0314 002-HXP. PRE-SOLDER TIN BOTH WIRES PRIOR TO ASSEMBLY.
D	TERMINAL, RECEPTACLE, .250", FASTON, UNINSULATED, 18-20GA, TYCO #41774 OR (TYCO #41274 OR TYCO #61375-1), FLUSH INS. HEATSHRINK, SEE NOTE #B.
E	TERMINAL, BLADE, .250", FASTON, UNINSULATED, 18-20GA, TYCO #41778 OR (TYCO #41411 OR TYCO #6253-3), COVER ENDS WITH HEATSHRINK, EXCEPT FOR THE END .25" LONG ENDS.
F	NO. TERMINAL OR CONNECTOR AT THIS LOCATION. STRIP WIRE INSULATION BACK .25", AND PRE-TIN THE WIRE WITH SOLDER.
G	WIRE TIE, PANDUIT, PLT1M-M OR EQUIVALENT.

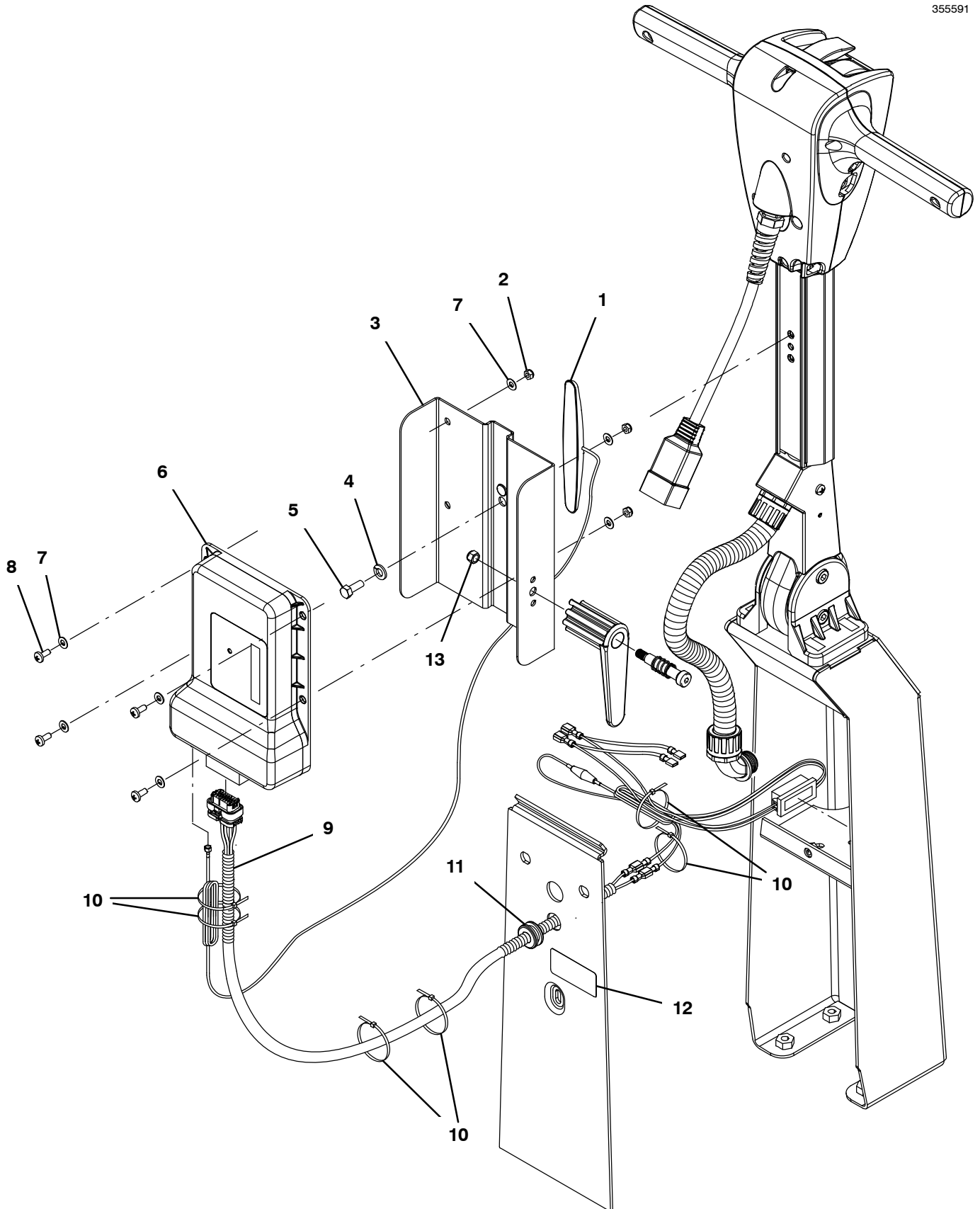


Ref.	Part No.	Serial Number	Description	Qty.
▽	1	1075892	(1000000-2000000) Cs, Harness, Ele [Telem, R3 / Strive]	1
▲	2	9009990	(1000000-2000000) Vr, Fuse, 002a, 250vdc, Cartridge	1

- ▽ ASSEMBLY
- ▲ INCLUDED IN ASSEMBLY

IRIS TELEMETRY GROUP

355591



IRIS TELEMETRY GROUP

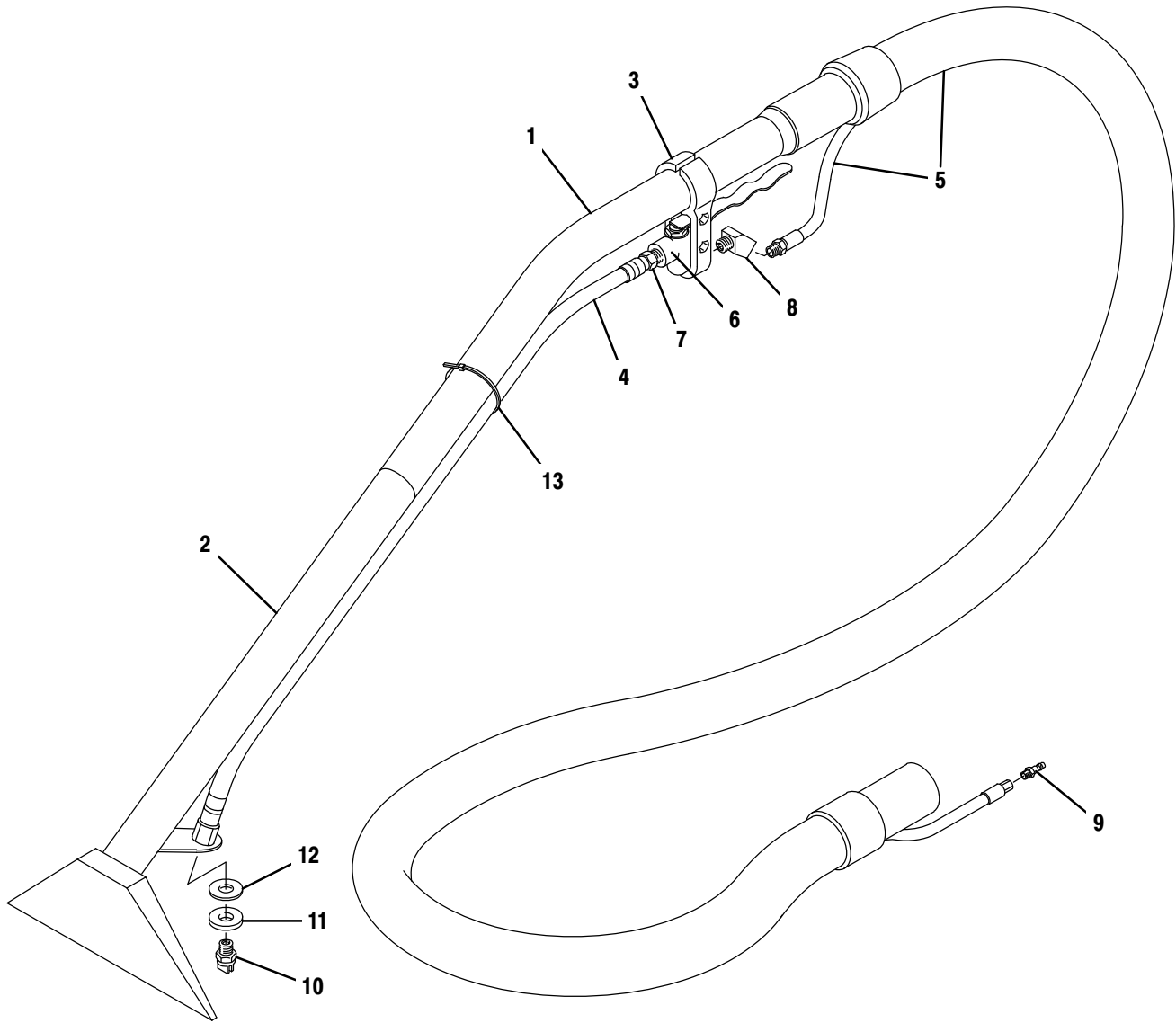
Ref.	Part No.	Serial Number	Description	Qty.	
1	1070659	(10000000-20000000)	Antenna, Telem, 70 In [Gprs]	1	
2	09739	(10000000-20000000)	Nut, Hex, Lock, M5 X 0.80, NI, Ss	4	
3	1233223	(10000000-20000000)	Cs, Plate Wldt, Mount [Iris, Trex]	1	
4	140015	(10000000-20000000)	Washer, Lock, Split, 0.31, Ss	1	
5	140226	(10000000-20000000)	Screw, Hex, .31-18 X 0.62, Ss	1	
6	1069467	(10000000-20000000)	Controlbox Assy, Telem [Usa, 3g]	1	
7	140011	(10000000-20000000)	Washer, Flat, 0.21b 0.45d .03, Ss	8	
8	09200	(10000000-20000000)	Screw, Pan, Phl, M5 X 0.80 X 12, Ss	4	
▽	9	1075892	(10000000-20000000)	Cs, Harness, Ele [Telem, R3 / Strive]	1
▲		9009990	(10000000-20000000)	Vr, Fuse, 002a, 250vdc, Cartridge	1
10	130773	(10000000-20000000)	Tie, Cable, Nyl, 11.0l, .14w, 3.0 Max. D	6	
11	86726	(10000000-20000000)	Grommet, Rbr, 0.44id, F/0.5h, .19 Matl	1	
12	1069580	(10000000-20000000)	Label, Mach, Telem [Usa, Intl]	1	
13	140546	(10000000-20000000)	Nut, Hex, Lock, .31-18, NI, Ss	1	

▽ ASSEMBLY

▲ INCLUDED IN ASSEMBLY

FLOOR TOOL GROUP, 8 in / 203 mm (NEW STYLE)

355116



FLOOR TOOL GROUP, 8 in / 203 mm (NEW STYLE)

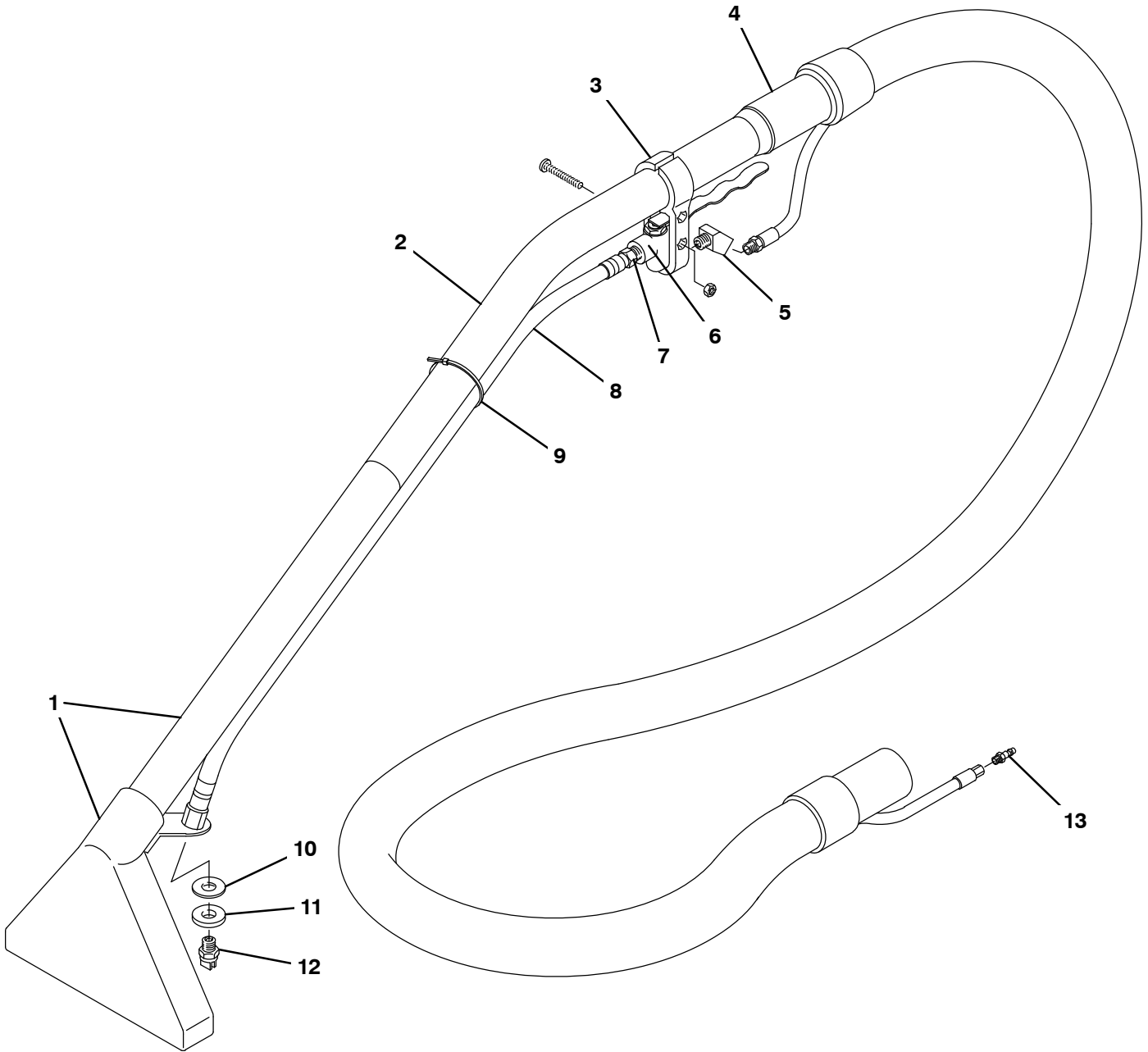
Ref.	Part No.	Serial Number	Description	Qty.
▽	1058735	(10000000-20000000)	Tool Assy, Floor, W/ Ss Head	1
▲	1	1058997 (10000000-20000000)	Wand, Tube, Upper, Fr/ 1058735, Replmt	1
▲	2	1058995 (10000000-20000000)	Wand Assy, Lower, Fr/ 1058735, Replmt	1
▲	3	605988 (10000000-20000000)	Vr, Bracket, Hanger, Valve	1
▲	4	1058998 (10000000-20000000)	Hose, Brd, 39.0l, Fr/ 1058735, Replmt	1
▲	5	1059131 (10000000-20000000)	Hose Assy, 10ft, F/1058735, Replmt	1
▲	6	578064000 (10000000-20000000)	Valve, Water, Flow Cntrl, W/Lever [Wand]	1
▲	7	150516 (10000000-20000000)	Fitting, Brs, Str, Bm06/Pm04	1
▲	8	150403 (10000000-20000000)	Fitting, Brs, E45, Pf04/Pm04 [Taped]	1
▲	9	150921 (10000000-20000000)	Fitting, Ss, Qdc, Pm02 [Ser 5]	1
▲	10	1059002 (10000000-20000000)	Fitting, Jet, Vee, .25npt, Brs	1
▲	11	1058999 (10000000-20000000)	Washer, Flat, Abs, F/ 1058735, Replmt	1
▲	12	140058 (10000000-20000000)	Washer, Flat, 0.54b 0.88d .06, Ss [Wand]	1
▲	13	130041 (10000000-20000000)	Tie, Cable, Nyl, 11.5l .19w	1
	N/S	220040 (10000000-20000000)	Bag, Hose, Accssry, 24x36[W/Draw String] (Optional)	1

▽ ASSEMBLY

▲ INCLUDED IN ASSEMBLY

FLOOR TOOL GROUP, 8 in / 203 mm (OLD STYLE)

355078



FLOOR TOOL GROUP, 8 in / 203 mm (OLD STYLE)

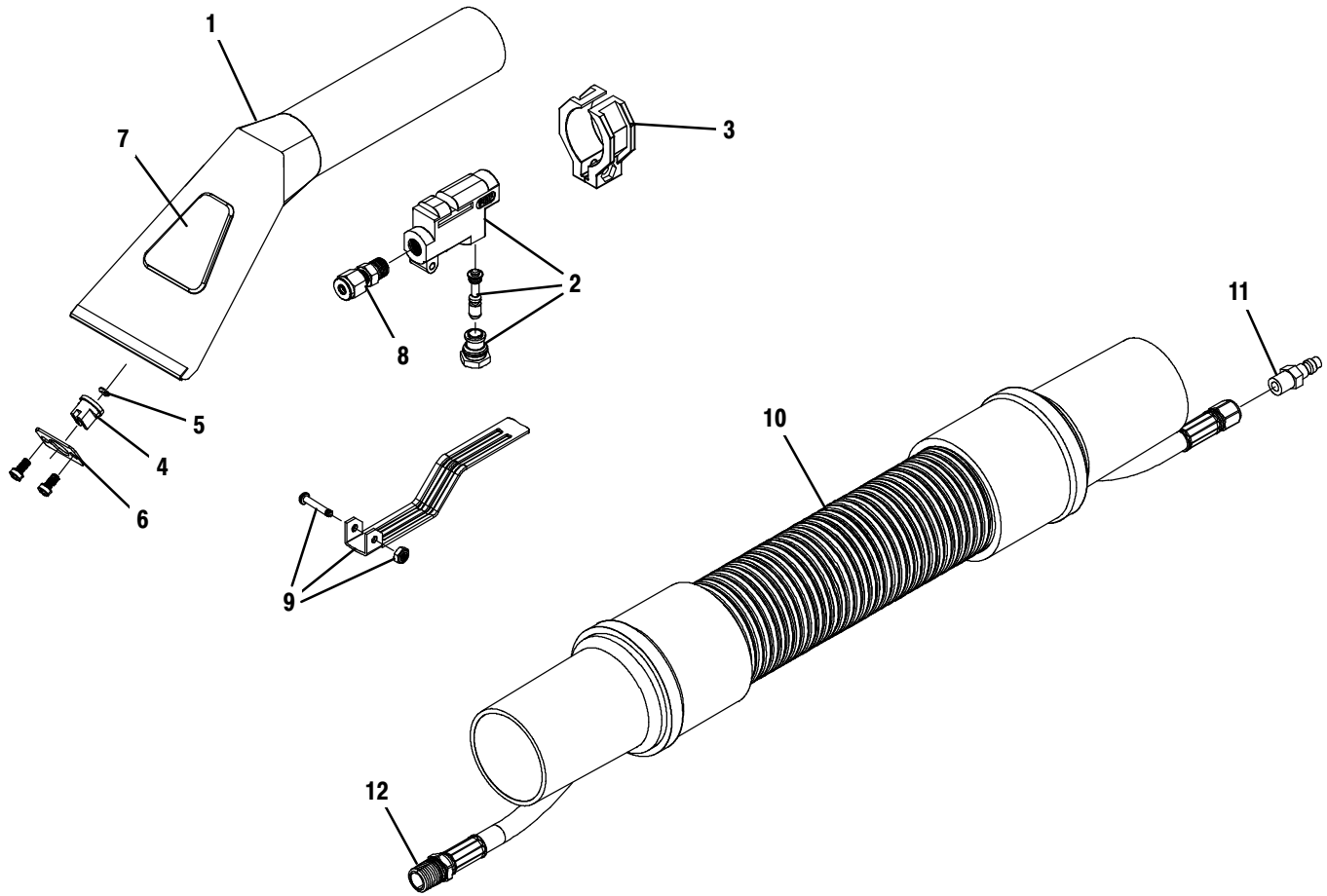
Ref.	Part No.	Serial Number	Description	Qty.
▽	605976	(10000000-20000000)	Tool, Pickup, Floor, 8.0w, Complt (Rpld By P/N 1058735)	1
▲	1 605977	(10000000-20000000)	Head Assy, W/ Lower Tube, 8.0inch (Rpld By P/N 1058995)	1
▲	2 200467	(10000000-20000000)	Wand [Upper Section Only] (Rpld By P/N 1058997)	1
▲	3 605988	(10000000-20000000)	Vr, Bracket, Hanger, Valve	1
▲	4 603546	(10000000-20000000)	Hose Assy, 1.25 X 10ft [Hide-A-Hose] (Rpld By P/N 1059131)	1
▲	5 150403	(10000000-20000000)	Fitting, Brs, E45, Pf04/Pm04 [Taped]	1
▲	6 578064000	(10000000-20000000)	Valve, Cntrl, Water	1
▲	7 150516	(10000000-20000000)	Fitting, Brs, Str, Bm06/Pm05	1
▲	8 605991	(10000000-20000000)	Hose Assy, 0.25d [Whip] (Rpld By P/N 1058998)	1
▲	9 130041	(10000000-20000000)	Tie, Cable, Nyl, 11.5l .19w	1
▲	10 140058	(10000000-20000000)	Washer, Flat, 0.54b 0.88d .06, Ss [Wand]	1
▲	11 605990	(10000000-20000000)	Washer, Flat, .53 X 1.1 X .19, Abs	1
▲	12 605989	(10000000-20000000)	Plstc Vee Jet 8002	1
▲	13 150921	(10000000-20000000)	Fitting, Ss, Qdc, Pm02 [Ser 5]	1
	N/S 220040	(10000000-20000000)	Bag, Hose, Accssry, 24x36[W/Draw String] (Optional)	1

▽ ASSEMBLY

▲ INCLUDED IN ASSEMBLY

HAND TOOL GROUP, 4 in / 101 mm (NEW STYLE)

355117



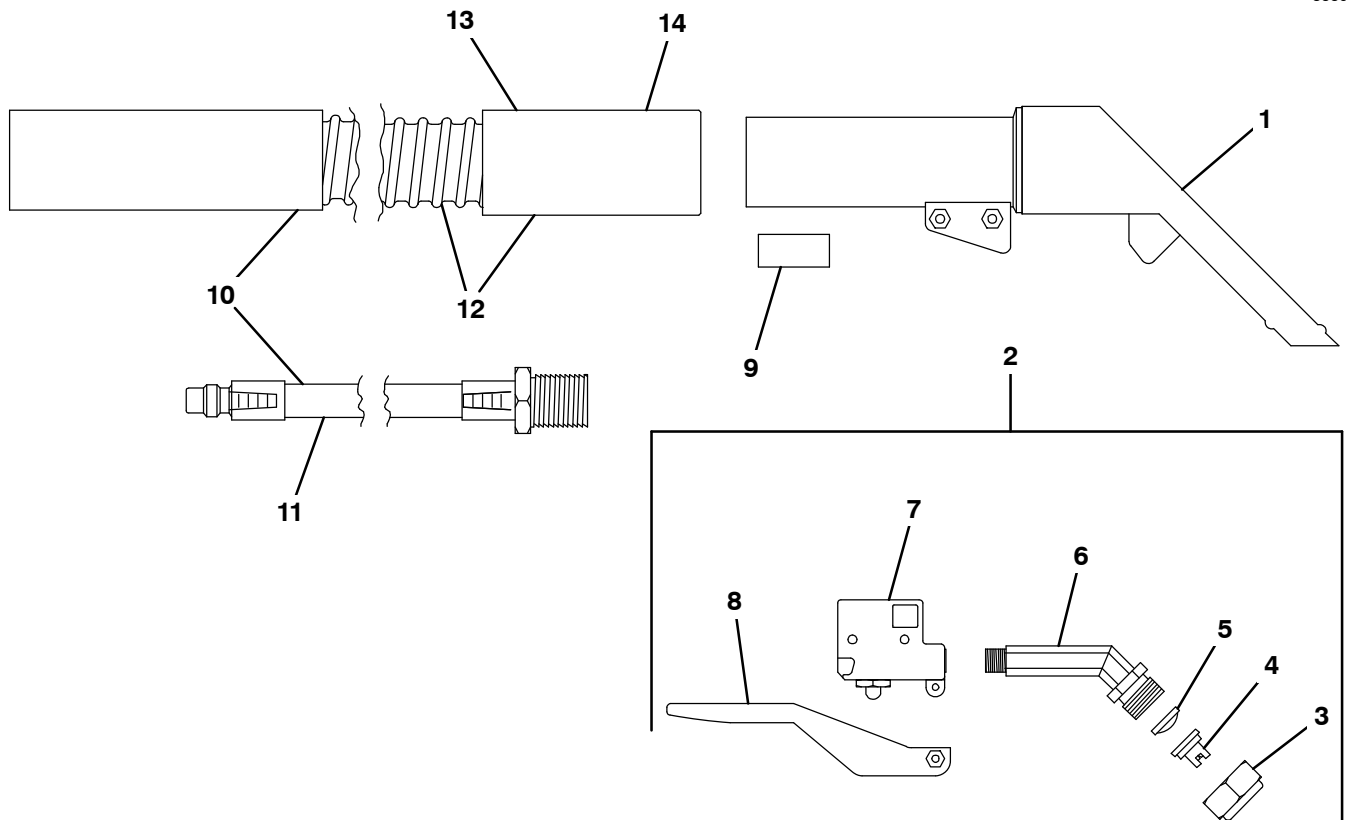
Ref.	Part No.	Serial Number	Description	Qty.
	1058747	(10000000-20000000)	Tool Assy, Hand, W/ Ss Head & Plstc Wndw	1
▽	1	1059230	(10000000-20000000) Tool Assy, W/Trigger F/1058747, Replmt	1
▲	1	1059003	(10000000-20000000) Tool, W/ Wndw, Ss, F/1058747, Replmt	1
▲	2	611807	(10000000-20000000) Valve, Tool, Hand [Pmf]	1
▲	3	611812	(10000000-20000000) Valve, Hanger [Pmf]	1
▲	4	1059006	(10000000-20000000) Fitting, Jet, Tee, Plstc, Fr/ 1058747	1
▲	5	1059005	(10000000-20000000) Seal, Org, Fr/ 1058747, Replmt	1
▲	6	611815	(10000000-20000000) Retainer, Plate [Pmf]	1
▲	7	1059004	(10000000-20000000) Tool, Wndw, Plstc, Fr/ 1058747	1
▲	8	611817	(10000000-20000000) Ferrule, Pm02/.18tube	1
▲	9	611818	(10000000-20000000) Trigger, Handle Pmf	1
▽	10	1059130	(10000000-20000000) Hose Assy, 10ft, F/1058747, Replmt	1
▲	11	150921	(10000000-20000000) Fitting, Ss, Qdc, Pm02 [Ser 5]	1
▲	12	150521	(10000000-20000000) Fitting, Brs, Str, Bm02/Pf02	1
	N/S	220040	(10000000-20000000) Bag, Hose, Accssry, 24x36[W/Draw String] (Optional)	1

▽ ASSEMBLY

▲ INCLUDED IN ASSEMBLY

HAND TOOL GROUP, 4 in / 101 mm (OLD STYLE)

355079



Ref.	Part No.	Serial Number	Description	Qty.
	613396	(10000000-20000000)	Tool Assy, Hand, 4.0w, 1.25d Hose[Ser 5] (Rpld By P/N 1058747)	1
▽	1	608901	(10000000-20000000) Tool, Hand, W/ Trigger Assy (Rpld By P/N 1058747)	1
▲	1	608891	(10000000-20000000) Tool, Hand, W/O Trigger Assy (Rpld By P/N 1058747)	1
▲▽	2	608899	(10000000-20000000) Trigger, Hand Tool, Assy (Rpld By P/N 1058747)	1
▲▲	3	608897	(10000000-20000000) Vr, Nut, Plstc, Spray Tip	1
▲▲	4	608896	(10000000-20000000) Fitting, Spray, Tip 11003 Blue	1
▲▲	5	608900	(10000000-20000000) Screen, Tool, Hand	1
▲▲	6	608895	(10000000-20000000) Fitting, Nozzle, Spray	1
▲▲	7	608894	(10000000-20000000) Fitting, Valve Body, Hand Tool	1
▲▲	8	608898	(10000000-20000000) Trigger, Hand Tool	1
9	608892	(10000000-20000000)	Seal, Hose, Soltn	1
▽	10	613395	(10000000-20000000) Hose, Vacuum, 1.25id X 104.0l, 2cuff (Rpld By P/N 1058747)	1
▲	11	608893	(10000000-20000000) Hose, Soltn, Hand Tool (Rpld By P/N 1058747)	1
▲▽	12	613394	(10000000-20000000) Hose, Vacuum, 1.25id X 104.0l, 1cuff,Blk (Rpld By P/N 1059130)	1
▲▲	13	613393	(10000000-20000000) Hose, Vacuum, 1.25id X 088.0l [I-Helix] (Rpld By P/N 1059130)	1
▲▲	14	609440	(10000000-20000000) Cuff, Hose, 1.5slip X 1.25thd Blk (Rpld By P/N 1059130)	1
	N/S 220040	(10000000-20000000)	Bag, Hose, Accssry, 24x36[W/Draw String] (Optional)	1

▽ ASSEMBLY

▲ INCLUDED IN ASSEMBLY

PUMP-UP CARPET SPRAYER



Ref.	Part No.	Serial Number	Description	Qty.
	605848	(10000000-20000000)	Sprayer 2gal Pumpup Hd	1

DOCUMENTATION GROUP

Ref.	Part No.	Serial Number	Description	Qty.
9006290		(10000000–20000000)	Manual, Parts [Strive Compact, En – Na]	1
9003763		(10000000–20000000)	Manual, Oprtr [Readyspace, En/Es/Fr]	1
9004229		(10000000–20000000)	Instr, Use&Care, Wallchart[Readyspace C]	1



To view, print, order, download the latest Parts manual, other language Operator manuals, and Use and Care Guides (wall charts), visit:

www.nobles.com/manual