

ONYX

TECHNOLOGY POWERING A CLEANER FUTURE



DX20
BATTERY AUTOSCRUBBER

ILLUSTRATED PARTS LIST

TABLE OF CONTENTS

Pads and Brushes	3
Recovery Tank Group	4-5
Vacuum Motor Assembly	6-7
Frame Group	8-9
User Control Assembly	10-11
User Control Assembly 2	12-13
Frame Assembly Group	14-15
Head Assembly Group	16-17
Head Lifting Assembly Group	18-19
Water Componentes	20-21
Squeegee Assembly Group	22-23
Electrical Components	24-25
Chargin System	26
Additional Parts (DX20T)	27
Wiring Diagram DX20	28
Wiring Diagram DX20T	29
Notes	30-31

How to order spare parts:

Parts and supplies may be ordered by phone, by fax or by email.

- A. Identify the machine model
- B. Identify the machine serial number
- C. Provide the part number and quantity

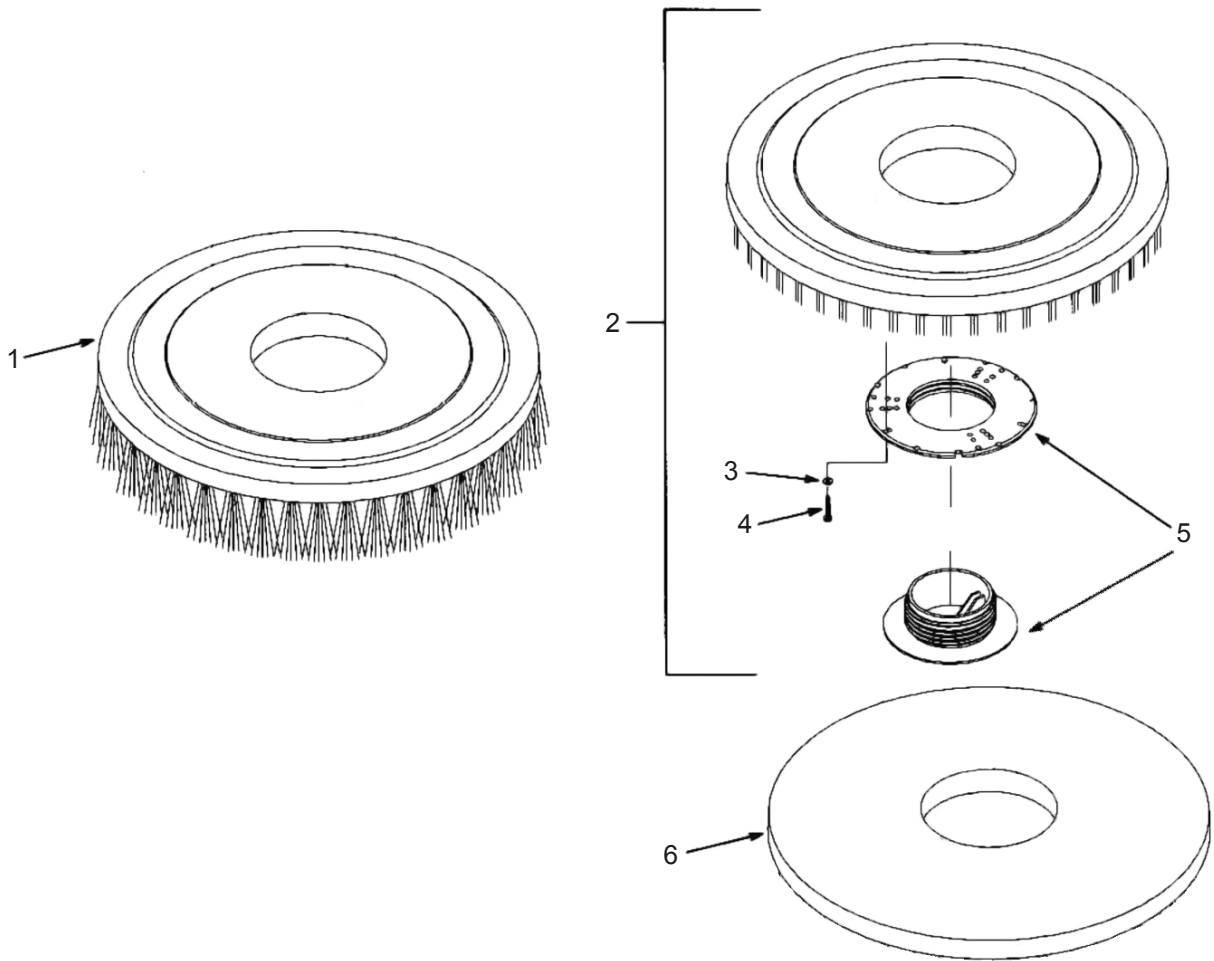
Provide your detail logistic information

Provide your name, company name, shipping address, phone number and purchase order number.



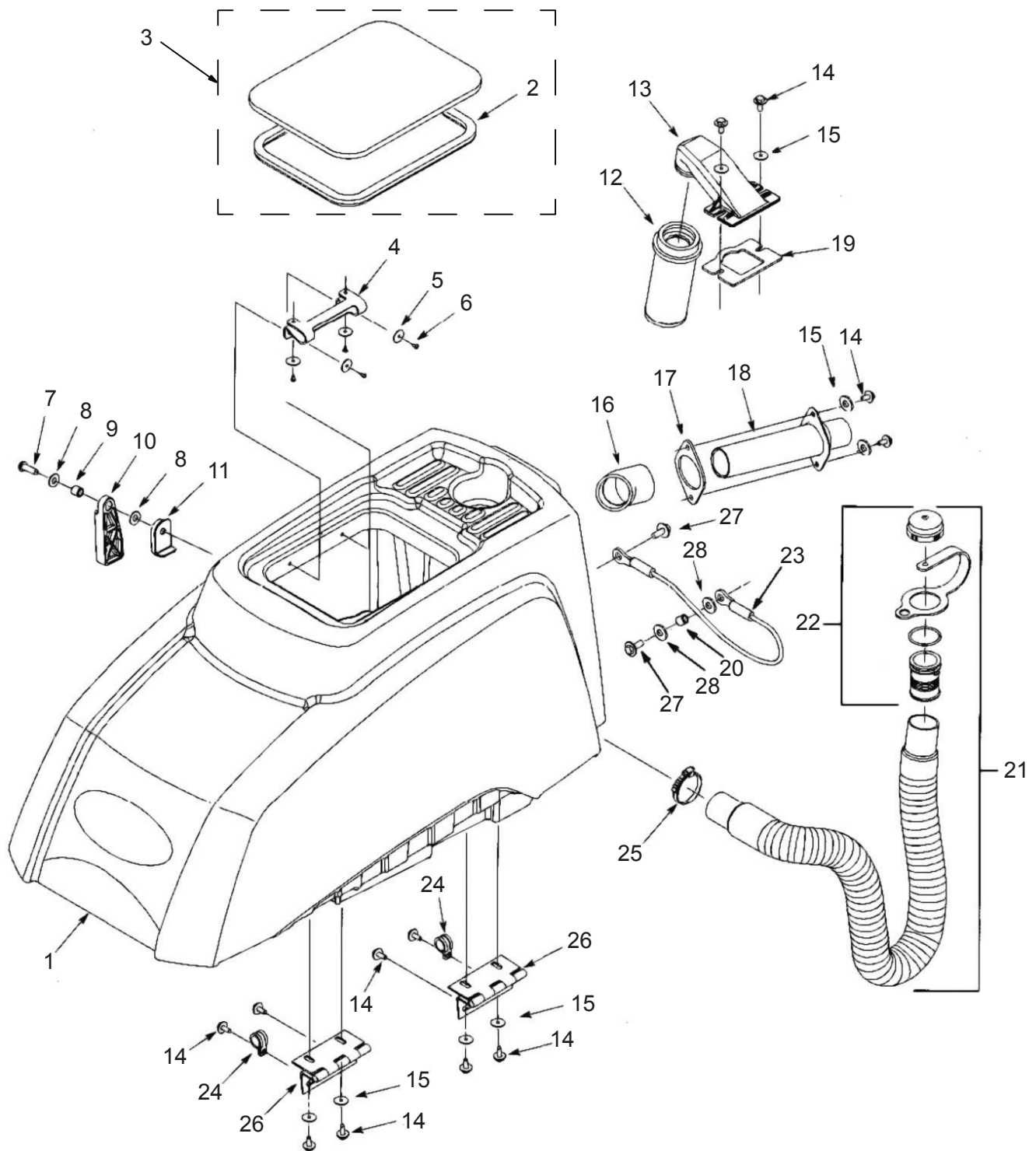
12605 Commerce Station Dr • Suite 700
Huntersville, NC 28078
704.827.9368

PADS & BRUSHES



No	Part No.	Description	Qty
1	W10846	Brush - 20" Standard Stiffness	1
1	W10887	Brush - 20" Extra Stiff	1
2	W10847	Pad Driver Assy - 20"	1
3	For Reference	Flat Washer, M4	1
4	For Reference	Screw, Phl, M4x25	1
5	W10848	Pad Holder Assy, Clip & Housing	1
6	W11017	White Pad, Polishing Light	1
6	W11018	Red Pad, Scrubbing Medium	1
6	W11019	Black Pad, Stripping Heavy	1

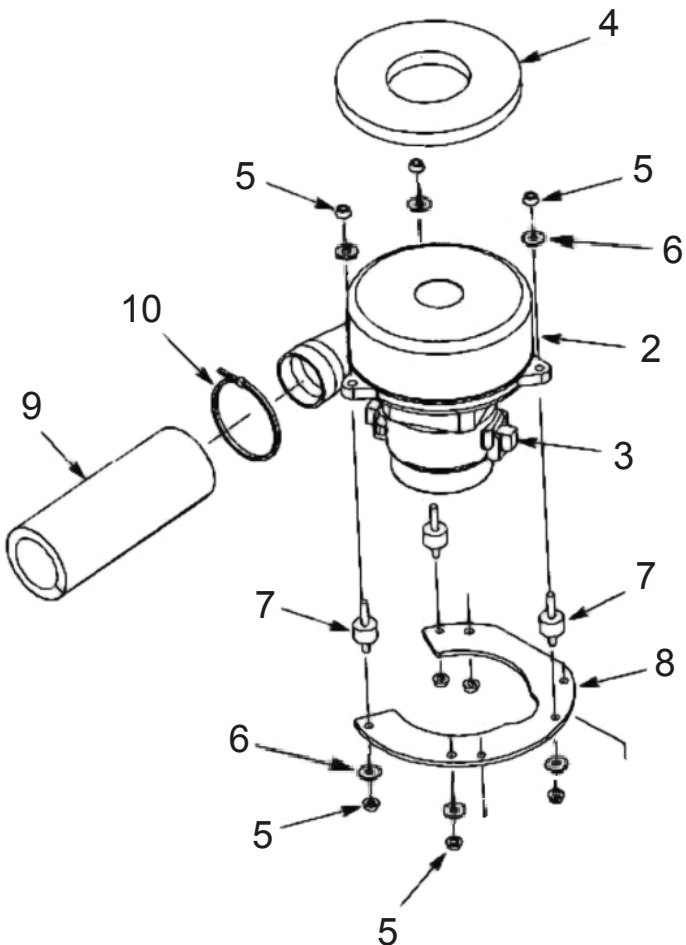
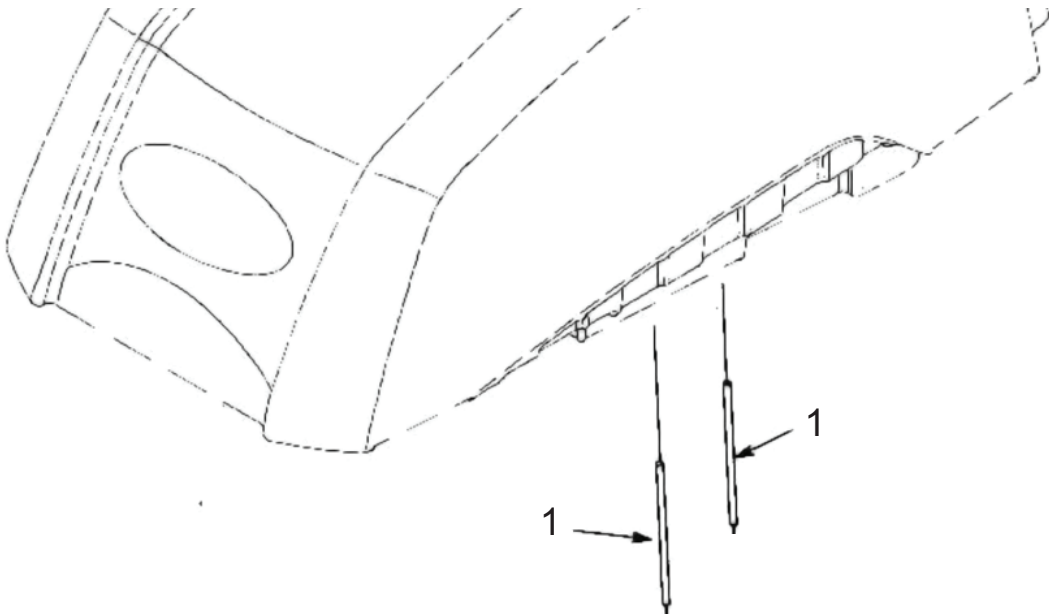
RECOVERY TANK GROUP



RECOVERY TANK GROUP

No	Part No.	Description	Qty
1	W11001	Recovery Tank	1
2	W10850	Seal, Recovery Tank Cover	1
3	W10888	Cover & Seal - Recovery Tank	1
4	W11002	Flexible Strap Hinge	1
5	For Reference	Washer, M4	4
6	For Reference	Screw, M4	4
7	For Reference	Screw, Hex, M8×25	1
8	For Reference	Flat Washer, 8mm×22mm×2mm	2
9	W11003	Sleeve	1
10	W11004	Stop, Tank Lifting	1
11	W11005	Bracket, Stop	1
12	W10851	Floating Ball Shutoff Tube	1
13	W11006	Float Shutoff Arm	1
14	For Reference	Screw, Hex, M6×12	3
15	For Reference	Flat Washer, 6mm×18mm×1mm	3
16	W11007	Elbow	1
17	W11008	Gasket	1
18	W11009	Hose	1
19	W11010	Gasket	1
20	W11011	Sleeve	1
21	W10865	Drainage Hose Assy, Recovery Tank	1
22	W11012	Plug Assy, Drainage Hose	1
23	W11013	Steel Cable w/ Eyelets	1
24	W11014	Clip, Wire	1
25	W11015	Hose Clamp	1
26	W11016	Hinge	1
27	For Reference	Screw, Hex, M6×12	2
28	For Reference	Flat Washer, 6mm×18mm×1mm	2

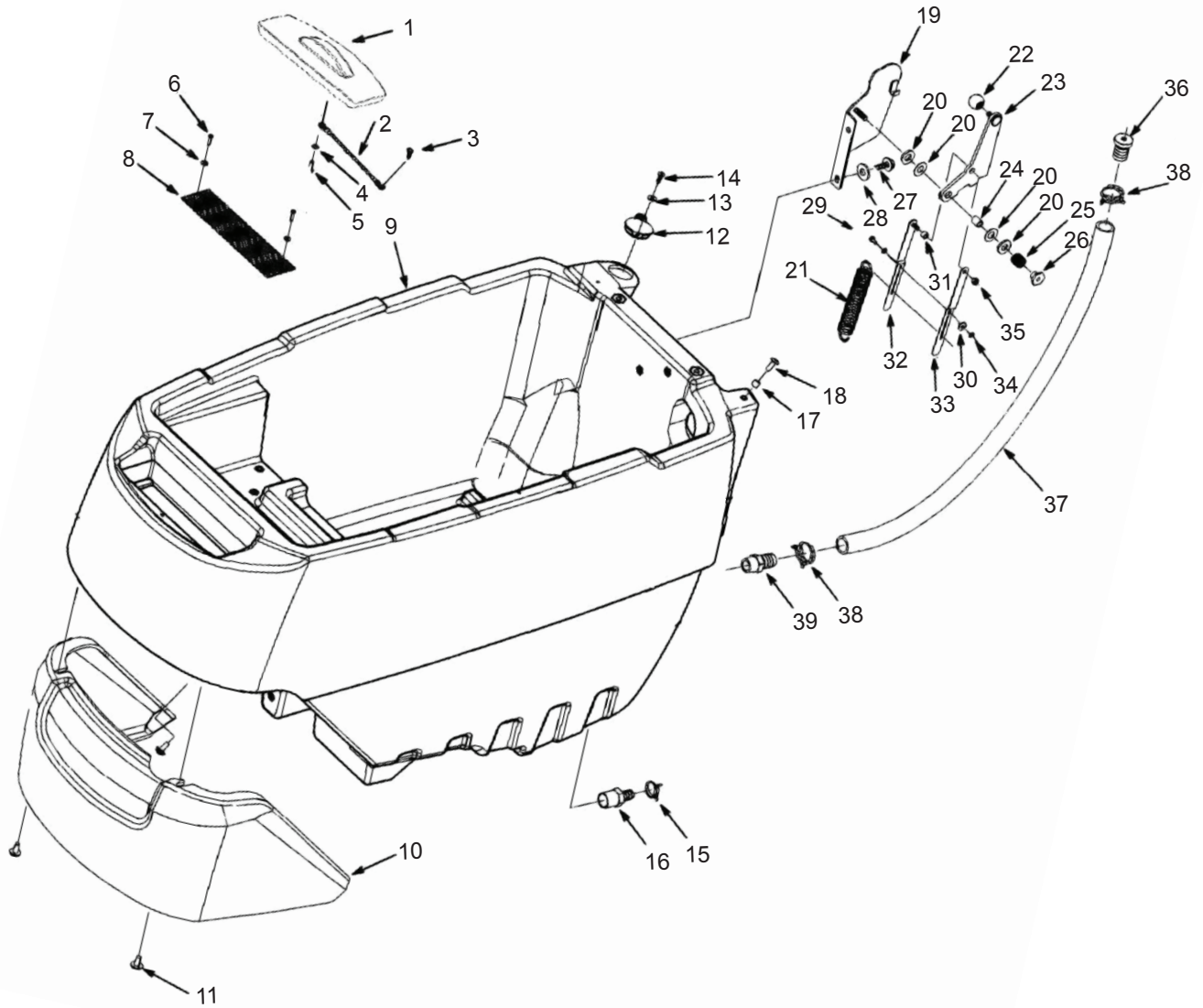
VACUUM MOTOR ASSEMBLY



VACUUM MOTOR ASSEMBLY

No	Part No.	Description	Qty
1	W11020	Mounting Rod 6×118mm	2
2	W10872	Vacuum Motor, 24V	1
3	W11022	Carbon Brush Kit	1
4	W11023	Rubber Pad	1
5	For Reference	Nut, M6	6
6	For Reference	Flat Washer, 6mm×18mm×1mm	6
7	W11025	Vibration Isolator	3
8	W11026	Mounting Plate, Motor	1
9	W11027	Noise Muffler	1
10	W11028	Hose Clamp	1

FRAME GROUP

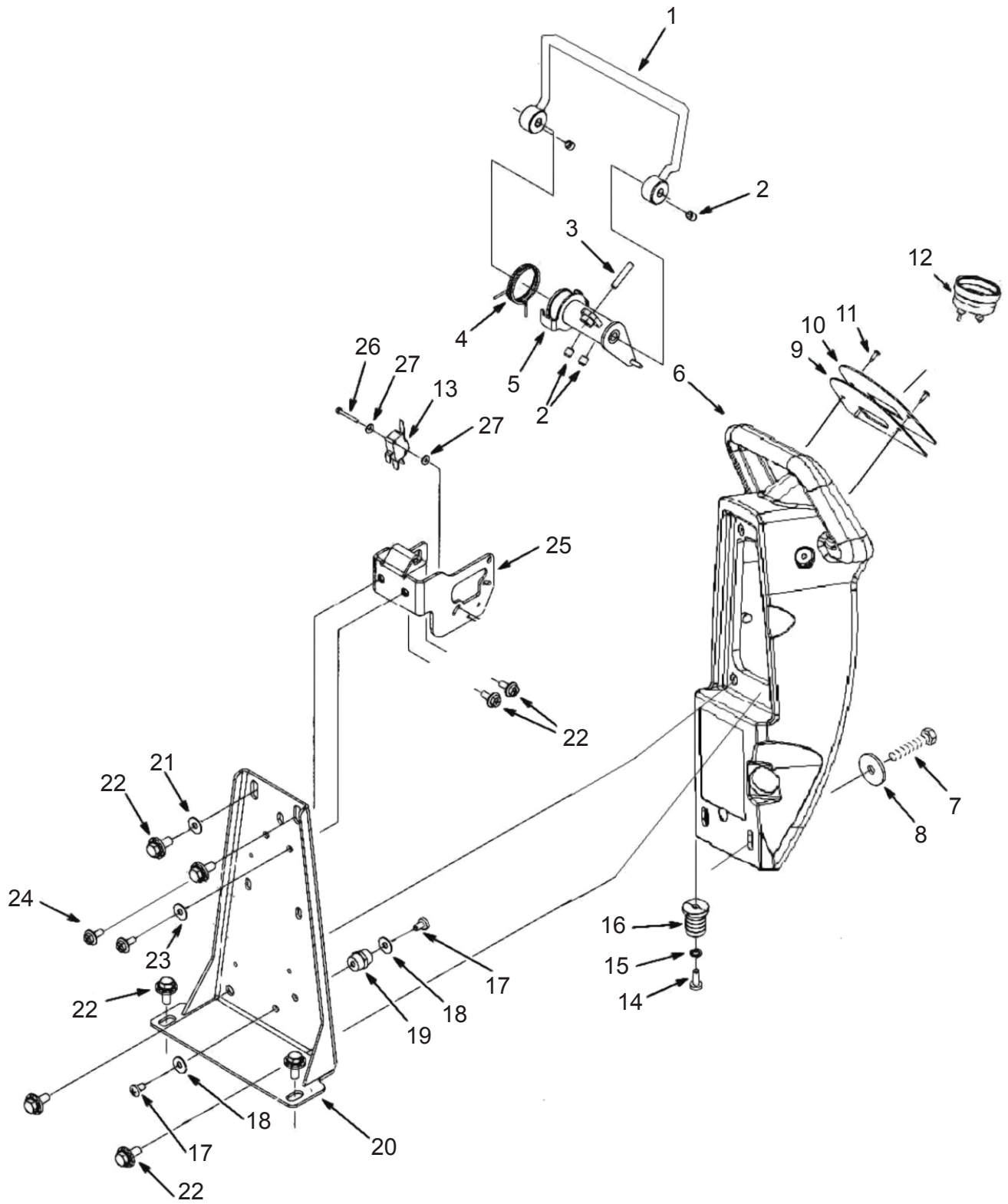


No	Part No.	Description	Qty
1	W11029	Cover, Fresh Water Fill	1
2	W11030	Chain	1
3	For Reference	Screw, Phl, M4×10	1
4	For Reference	Washer M4	1
5	For Reference	Screw, Phl , M4×12	1
6	For Reference	Screw, Phl, M3×20	2
7	For Reference	Washer, M3	2
8	W11031	Filter Screen, Fresh Water Fill	1
9	W11032	Fresh Water Tank	1
10	W11033	Front Guard	1

FRAME GROUP

No	Part No.	Description	Qty
11	For Reference	Screw, Hex, With Washer, M6×16	2
12	W11034	Cover, Fresh Water Hose Fill	1
13	For Reference	Washer M4	1
14	For Reference	Screw, M4×10	1
15	W11035	Hose Clamp	1
16	W11036	Water Fitting Joint	1
17	W11037	Sleeve	1
18	For Reference	Screw, M4×16	1
19	W11038	Bracket, Brush Lifting	1
20	W11039	Washer, Nylon	4
21	W11040	Spring, Head Pressure	1
22	W11041	Handle Knob	1
23	W11042	Lever Arm, Brush Lifting	1
24	W11043	Sleeve	1
25	W11044	Spring	1
26	W11045	Nut, Connect Lifting Rod	1
27	For Reference	Screw, Hex, 20	1
28	For Reference	Washer, 8mm×22mm×2mm	1
29	For Reference	Screw, Phl, M5×12	1
30	For Reference	Washer, M4	1
31	W11046	Sleeve	1
32	W11047	Lever, Spring, Left	1
33	W11048	Lever, Spring, Right	1
34	For Reference	Nut, M5	1
35	For Reference	Nut, M6	1
36	W11049	Connector, Water Pipe	1
37	W11050	Hose - Water Level Indicator	1
38	W11051	Hose Clamp	2
39	W11052	Joint, Water Pipe	1

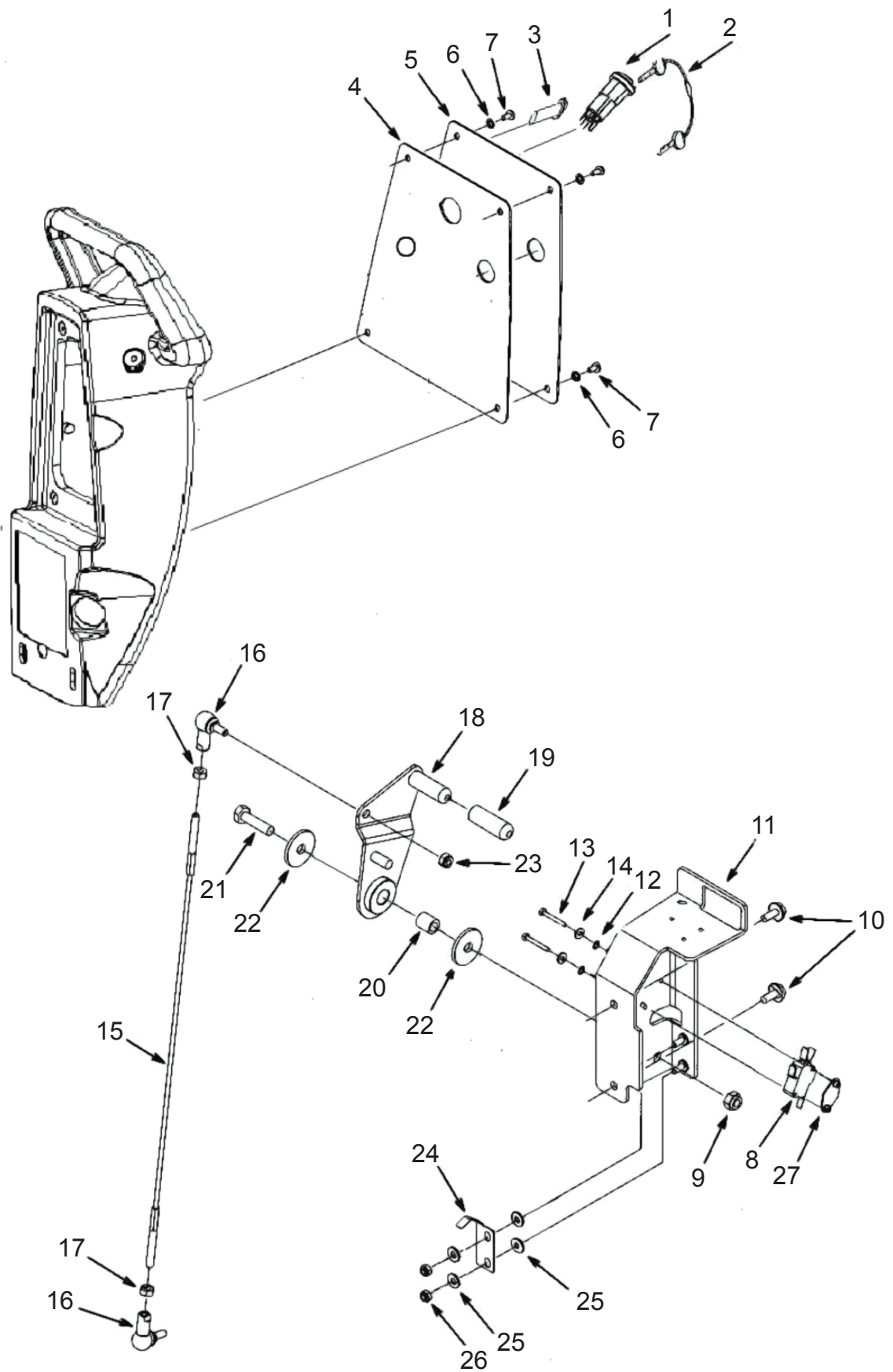
USER CONTROL ASSEMBLY



USER CONTROL ASSEMBLY

No	Part No.	Description	Qty
1	W11054	Handle, Engagement Lever	1
2	For Reference	Screw, M8×8	3
3	For Reference	Screw, M6×30	1
4	W11055	Spring	1
5	W11056	Rotating Switch Arm	1
6	W11057	Handle Body	1
7	For Reference	Screw, Hex, M8×35	1
8	For Reference	Flat Washer, 8mm×32mm×2.5mm	1
9	W11058	Panel, Control Board	1
10	W11059	Label, Panel	1
11	For Reference	Screw, M4×10	2
12	W10823	Hour & Battery Meter, Round	1
13	W11068	Micro Switch	1
14	For Reference	Screw, Hex , M6×16	1
15	For Reference	Nut, M6	1
16	W11061	Joint, Pipe	1
17	For Reference	Screw, Phl, M6×10	2
18	For Reference	Washer, M6	2
19	W11062	Post Head	1
20	W11063	Bracket, Handle	1
21	For Reference	Washer, 6mm×24mm×3mm	1
22	For Reference	Screw, Hex, M8×20	6
23	For Reference	Flat Washer, 6mm×18mm×1mm	1
24	For Reference	Washer, Hex, M6×12	2
25	W11067	Bracket, Protecting	1
26	For Reference	Screw, Phl, M3×30	1
27	For Reference	Gasket, M3	1

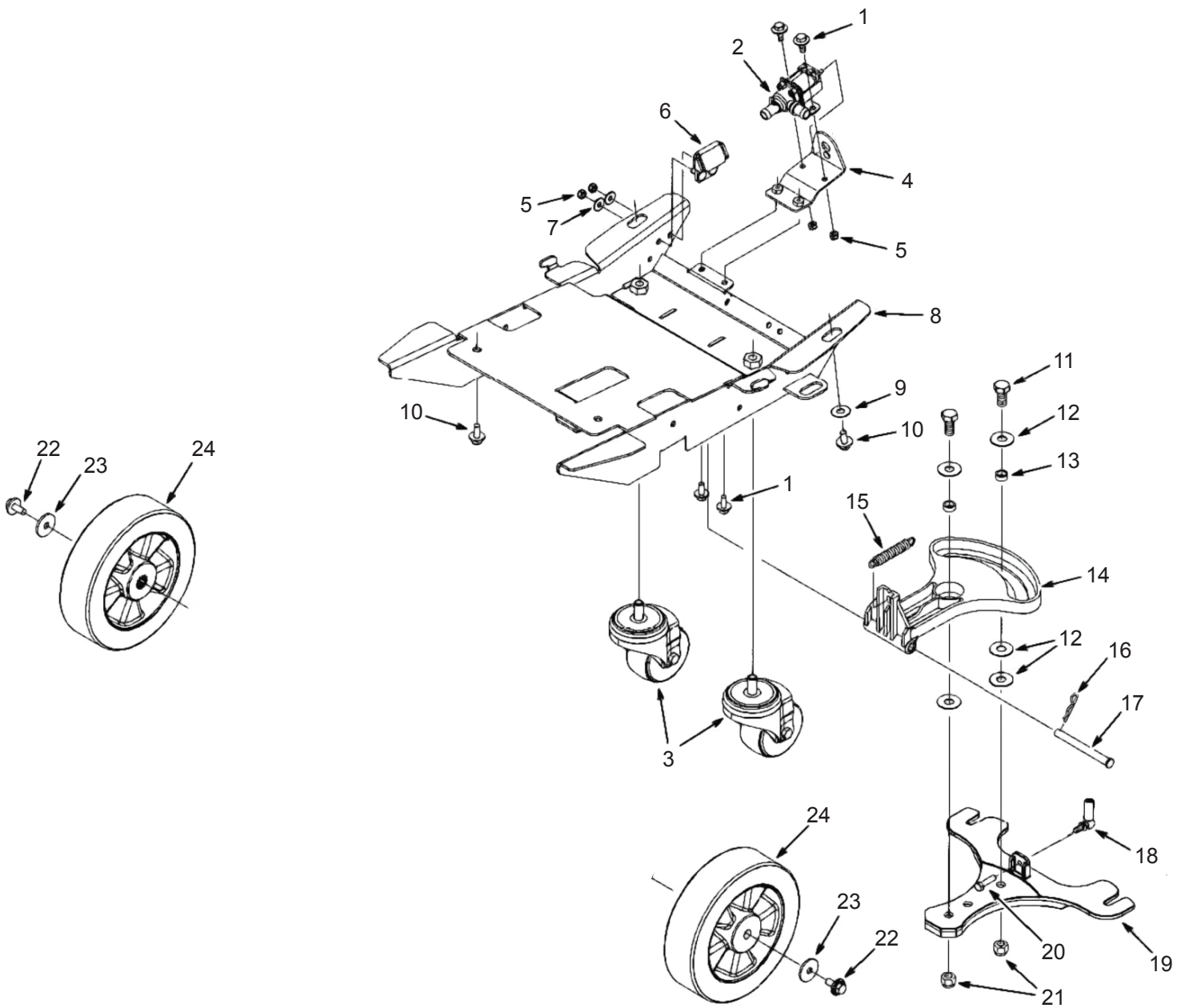
USER CONTROL ASSEMBLY 2



USER CONTROL ASSEMBLY 2

No	Part No.	Description	Qty
1	W10817	Key Switch, Including 2 Keys	1
2	W10853	Key, Main On/Off Switch	1
3	W10854	Overload Protector	1
4	W11069	Panel	1
5	W11070	Label, Panel	1
6	For Reference	Washer M4	2
7	For Reference	Screw, M4×10	2
8	W11068	Micro Switch	1
9	For Reference	Nut, M8	1
10	For Reference	Screw, Hex, With Washer, M6×16	2
11	W11071	Bracket, Squeegee Lift	1
12	For Reference	Washer, M3	2
13	For Reference	Screw, Phl, M3×20	2
14	For Reference	Washer M3	2
15	W10860	Steel Cable, 15", Threaded Ends M6×M6	1
16	W11072	Joint, Ball	2
17	For Reference	Screw, Hex, M6	2
18	W11073	Lever, Squeegee Lift	1
19	W11074	Sleeve, Handle Knob	1
20	W11075	Sleeve	1
21	For Reference	Screw, Hex, M8×30	1
22	W11076	Washer, Nylon	2
23	For Reference	Nut, M6	1
24	W11077	Spring Lever, Squeegee Lifting	1
25	For Reference	Washer, 5mm×13mm×1mm	2
26	For Reference	Nut, M5	1
27	W11066	Locating Mechanism, Rhombus	1

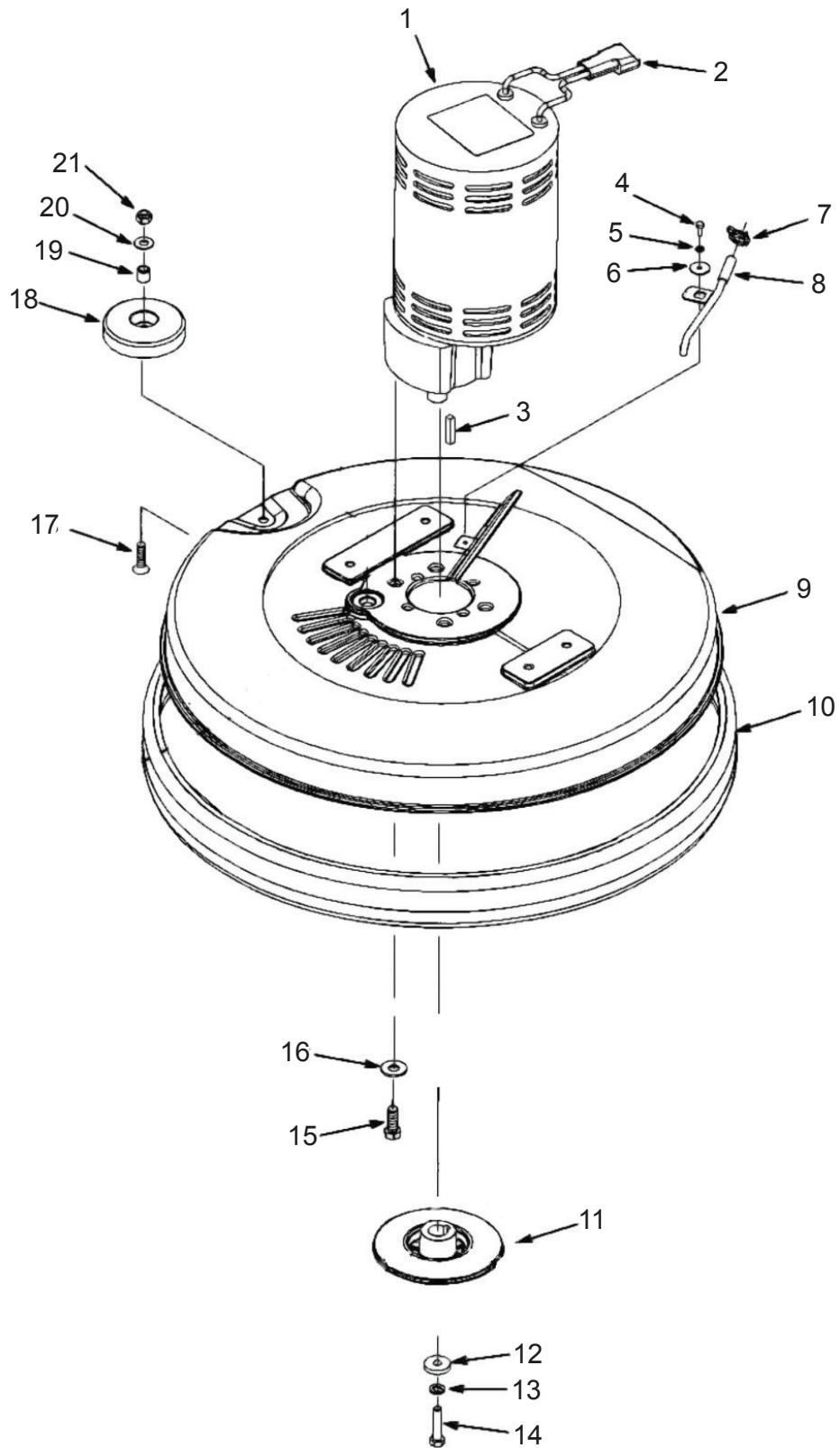
FRAME ASSEMBLY GROUP



FRAME ASSEMBLY GROUP

No	Part No.	Description	Qty
1	For Reference	Screw, Hex, With Washer, M6×16	4
2	W10818	Valve, Water Shut Off Solenoid	1
3	W10856	Swivel Caster, Machine Base 3"	2
4	W11078	Mounting Bracket, Valve	1
5	For Reference	Nut, M6	4
6	W11079	Locator, Head Lift	1
7	For Reference	Flat Washer, 6mm×14mm×1mm	2
8	W11081	Base Plate, Machine	1
9	For Reference	Flat Washer, 8mm×22mm×2mm	1
10	For Reference	Screw, Hex, M8×20	1
11	For Reference	Screw, Hex, M12×30	1
12	For Reference	Flat Washer, 12mm×27mm×2.5mm	5
13	W11082	Sleeve	2
14	W11083	Bracket, Squeegee Pivot	1
15	W11084	Tension Spring, Squeegee	1
16	W11085	Hairpin Cotter Pin	1
17	W11086	Pin Axle	1
18	W11072	Joint, Ball	1
19	W11087	Bracket, Squeegee Mount	1
20	For Reference	Screw, Hex, M6×12	1
21	For Reference	Nut, Hex, M12	2
22	For Reference	Screw, Hex, M8×20	2
23	For Reference	Flat Washer, 8mm×32mm×2.5mm	2
24	W10855	Wheel, Main 8"	2

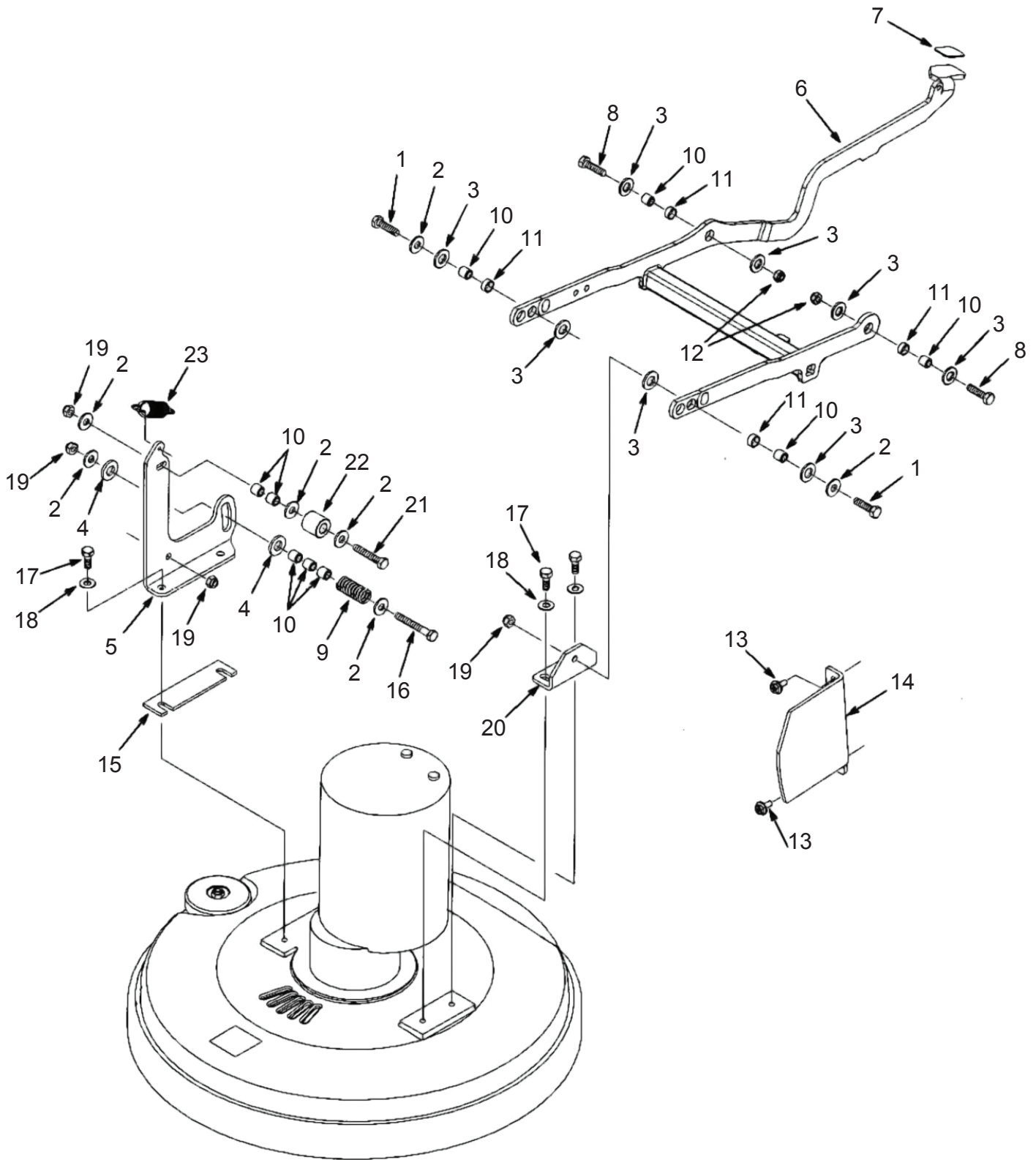
HEAD ASSEMBLY GROUP



HEAD ASSEMBLY GROUP

No	Part No.	Description	Qty
1A	W11093	Motor, Head	1
1B	W11094	Carbon Brush Kit	1
2	W11096	Plug, Connector	1
3	W11097	Machine Key	1
4	For Reference	Screw, Phl, M4×10	1
5	For Reference	Washer, M4	1
6	For Reference	Flat Washer, 4mm×19mm×1mm	1
7	W11098	Hose Clamp	1
8	W11099	Water Pipe	1
9	W11104	Cover, 20" Head	1
10	W10868	Skirt, 20" Head	1
11	W10813	Triangle Driver	1
12	For Reference	Flat Washer, 8mm×25mm×1mm	1
13	For Reference	Split Lock Washer, M8	1
14	For Reference	Bolt, M8	1
15	For Reference	Screw, 5/16-18*1-3/8	1
16	For Reference	Flat Washer, 8mm×32mm×2.5mm	1
17	For Reference	Screw, M8×30	1
18	W10845	Bumper Wheel	1
19	W11137	Sleeve	1
20	For Reference	Flat Washer, 8mm×25mm×3mm	1
21	For Reference	Nut, M8	1

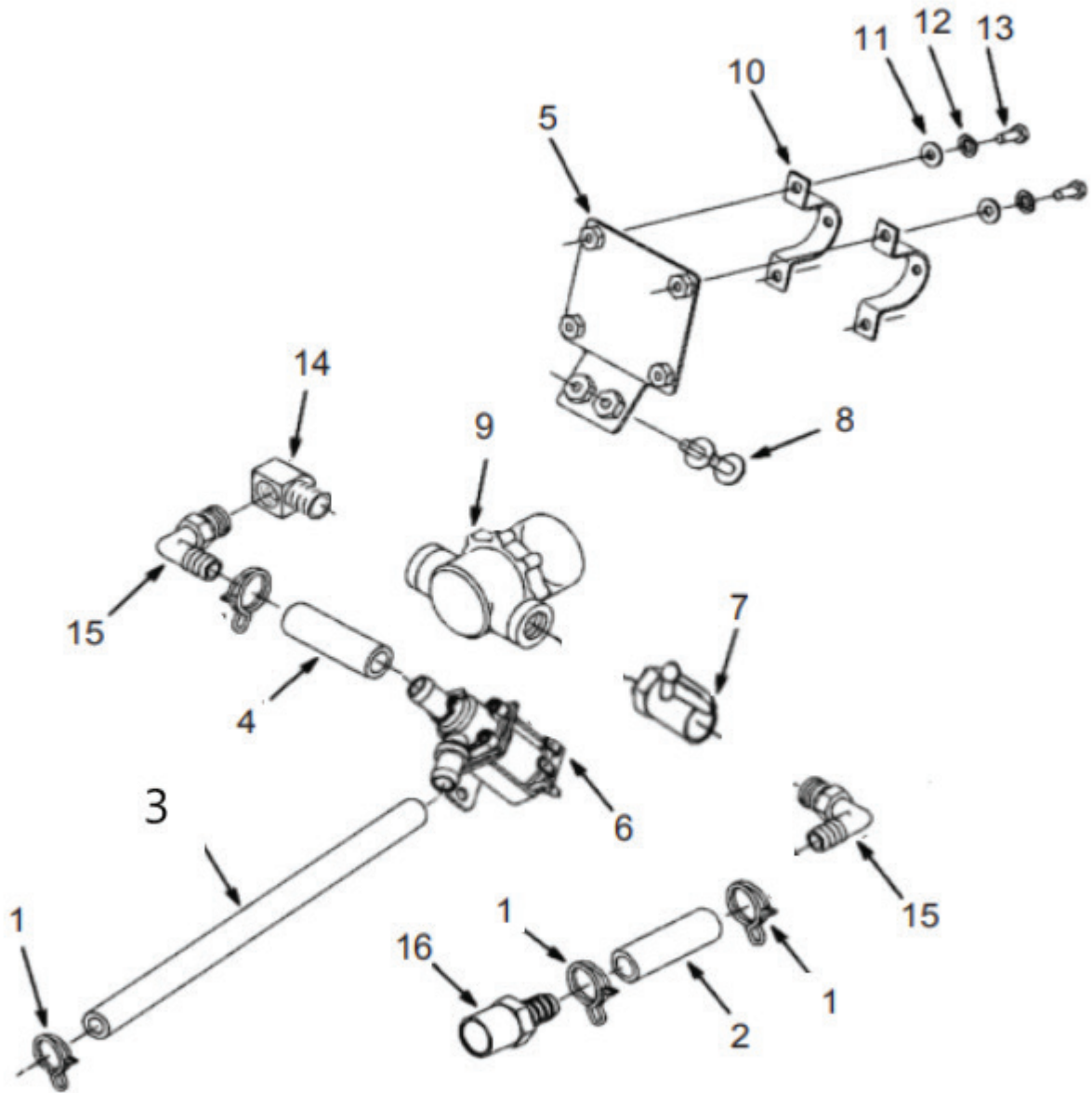
HEAD LIFTING ASSEMBLY GROUP



HEAD LIFTING ASSEMBLY GROUP

No	Part No.	Description	Qty
1	For Reference	Screw, Hex, M8×30	2
2	For Reference	Flat Washer, 8mm×22mm×2mm	6
3	W11039	Washer, Nylon	8
4	W11076	Washer, Nylon	2
5	W11120	Bracket, Head Lift	1
6	W11110	Lever, Head Lift	1
7	W11111	Foot Pad	1
8	For Reference	Screw, Hex, M8×30	2
9	W11112	Spring	1
10	W11113	Sleeve	9
11	W11114	Sleeve	4
12	For Reference	Nut, Hex, M8	2
13	For Reference	Screw, Phl, M6×16	2
14	W11115	Bracket, Base Plate Lifting	1
15	W11116	Shim, Double	1
16	For Reference	Screw, Hex, M8×55	1
17	For Reference	Screw, Hex, M8×25	1
18	For Reference	Flat Washer, 8mm×25mm×3mm	1
19	For Reference	Nut, Hex, M8	3
20	W11117	Bracket	1
21	For Reference	Screw, Hex, M8×45	1
22	W11118	Roller	1
23	W11119	Spring	1

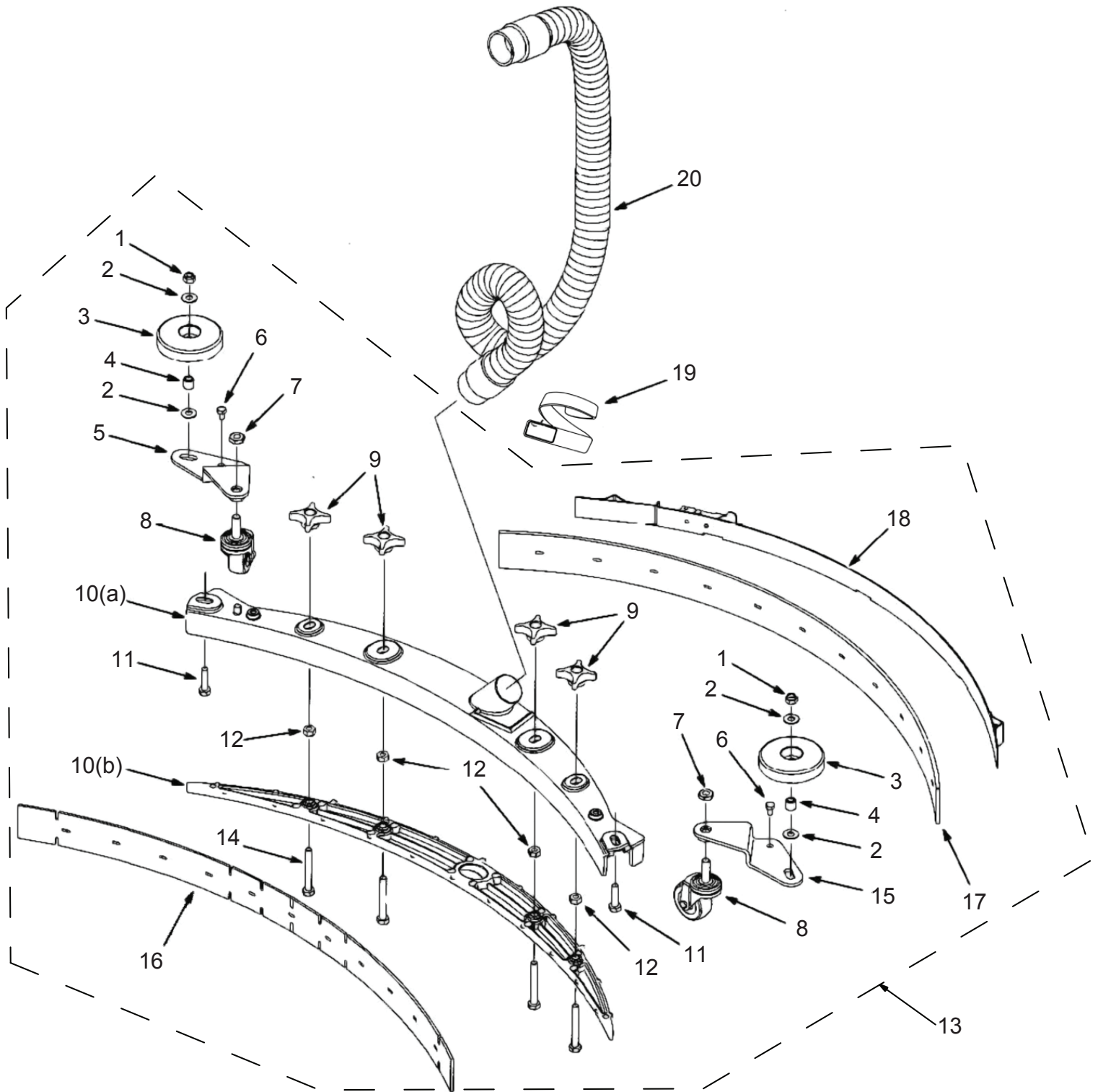
WATER COMPONENTS



WATER COMPONENTS

No	Part No.	Description	Qty
1	W11098	Hose Clamp	3
2	W10984-4	13mm Hose, 4in Long	1
3	W10984-22	13mm Hose, 22in Long	1
4	W10984-3	13mm Hose, 3in Long	1
5	W11135	Mounting Bracket, Valve	1
6	W10818	Valve, Water Shut Off Solenoid	1
7	W11124	Quarter Turn Ball Valve	1
8	For Reference	Screw, Hex, M6×12	2
9	W10869	Inline Water Filter Assembly	1
10	W11136	Bracket, U Shape	2
11	For Reference	Flat Washer M5	2
12	For Reference	Lock Washer M5	2
13	For Reference	Screw, Phl, M5×12	2
14	W11129	Elbow, 3/8" MNPT x 3/8 FNPT	1
15	W11130	Elbow, 3/8" MNPT x 3/8 Barb	1
16	W11132	Plastic Adapter, 3/8" MNPT x 3/8 Barb	1

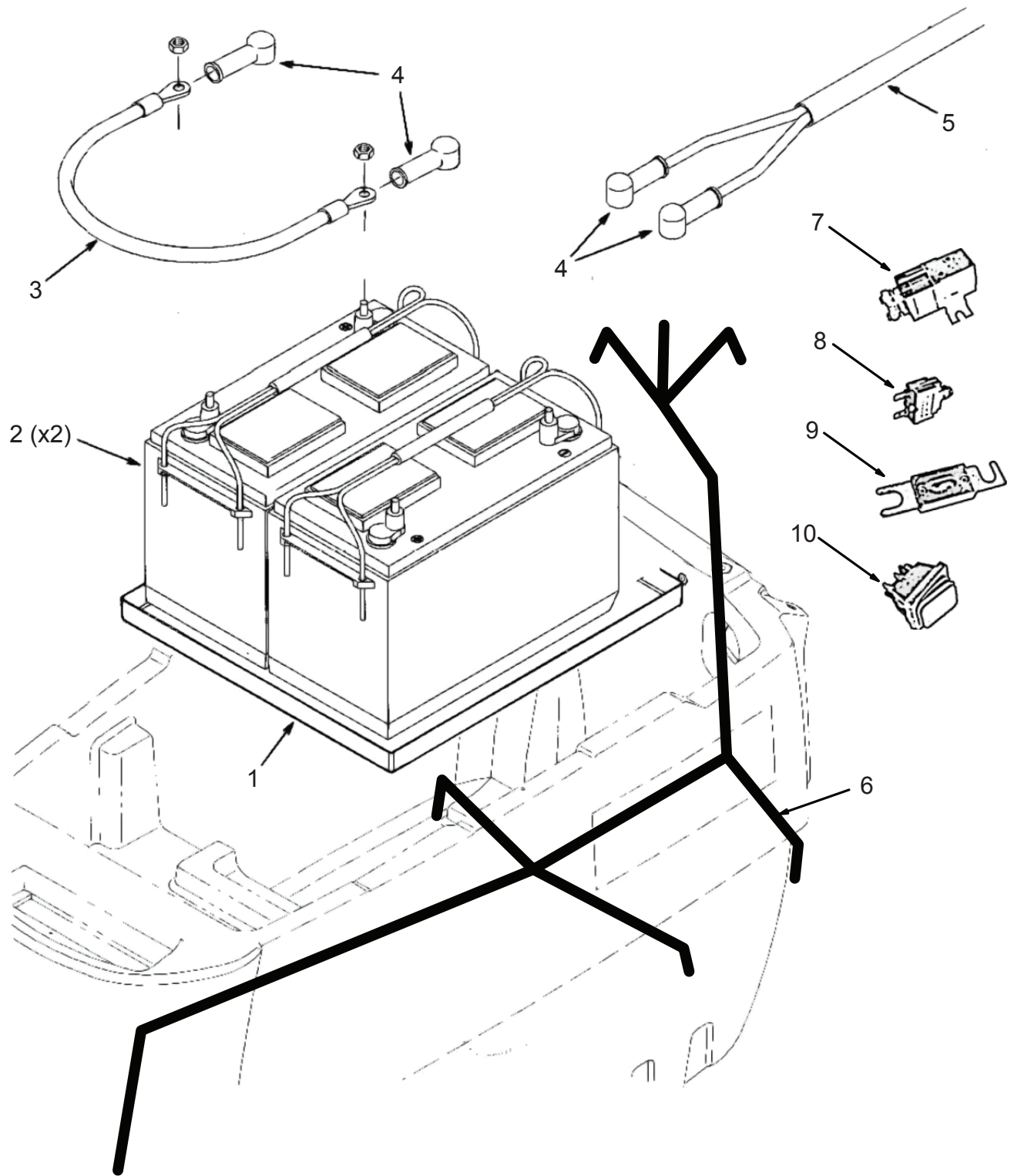
SQUEEGIE ASSEMBLY GROUP



SQUEEGIE ASSEMBLY GROUP

No	Part No.	Description	Qty
1	For Reference	Nut, M8	1
2	For Reference	Flat Washer, 8mm×25mm×3mm	2
3	W10845	Bumper Wheel	1
4	W11137	Sleeve	1
5	W11138	Metal Plate, Fixing Squeegee, Left	1
6	For Reference	Screw, Hex, With Washer, M6×16	1
7	For Reference	Nut, Hex, M10	1
8	W10870	Swivel Caster, Squeegee	1
9	W11139	Wing Nut Knob, Star	1
10	W11140	Squeegee Main Body	1
11	For Reference	Screw, Hex, M8×30	1
12	For Reference	Nut, Hex, M8	4
13	W10889	Squeegee Assembly	1
14	For Reference	Screw, Hex, M8×55	2
15	W11142	Metal Plate, Fixing Squeegee, Right	1
16	W10863	Squeegee Blade - Front 32"	1
17	W10864	Squeegee Blade - Rear 32"	1
18	W11143	Squeegee Tightening Clamp Assy	1
19	W10590	Velcro Cinch Strap - 1x12 in.	1
20	W10866	Vacuum Hose, Recovery Tank	1

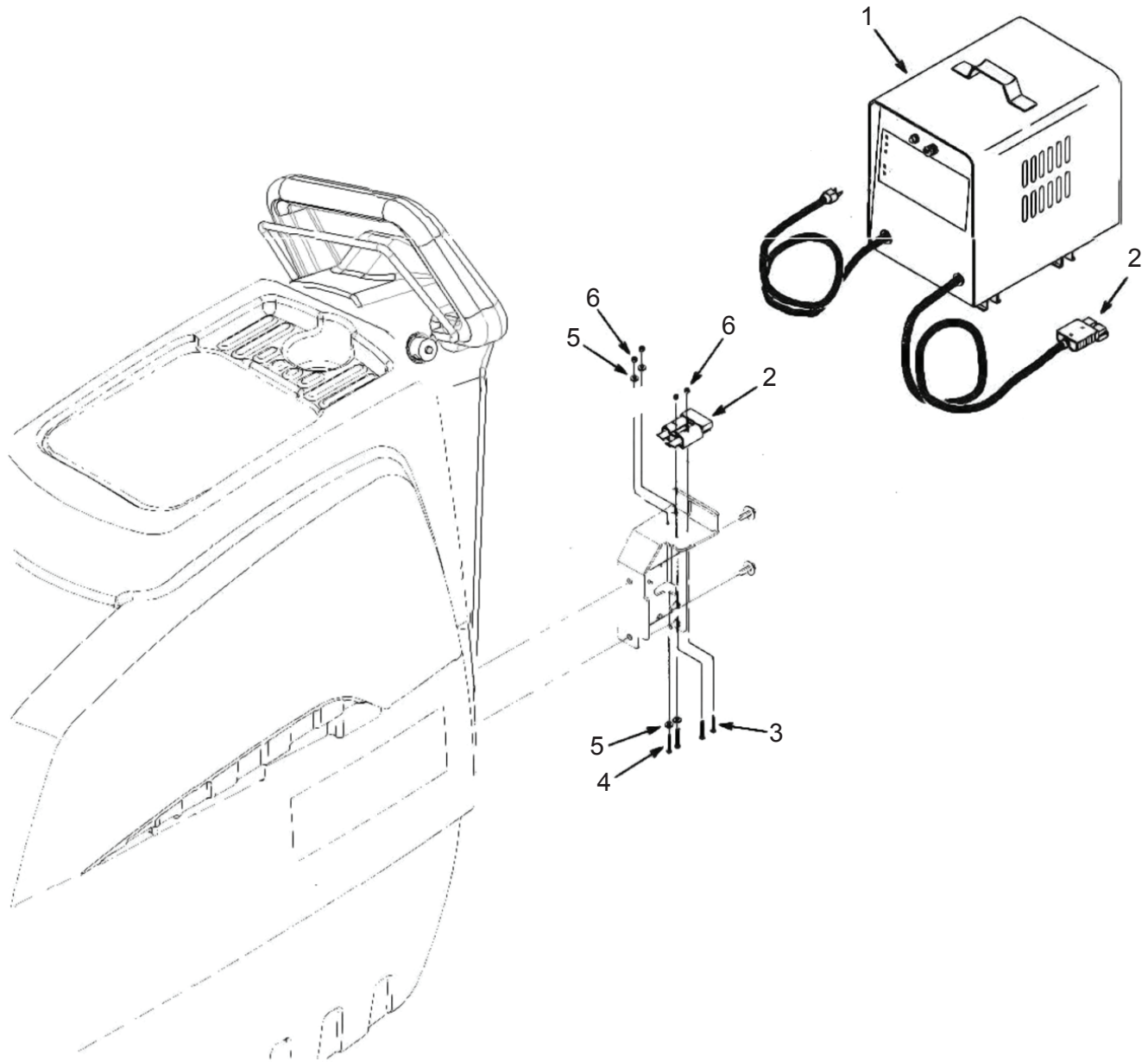
ELECTRICAL COMPONENTS



ELECTRICAL COMPONENTS

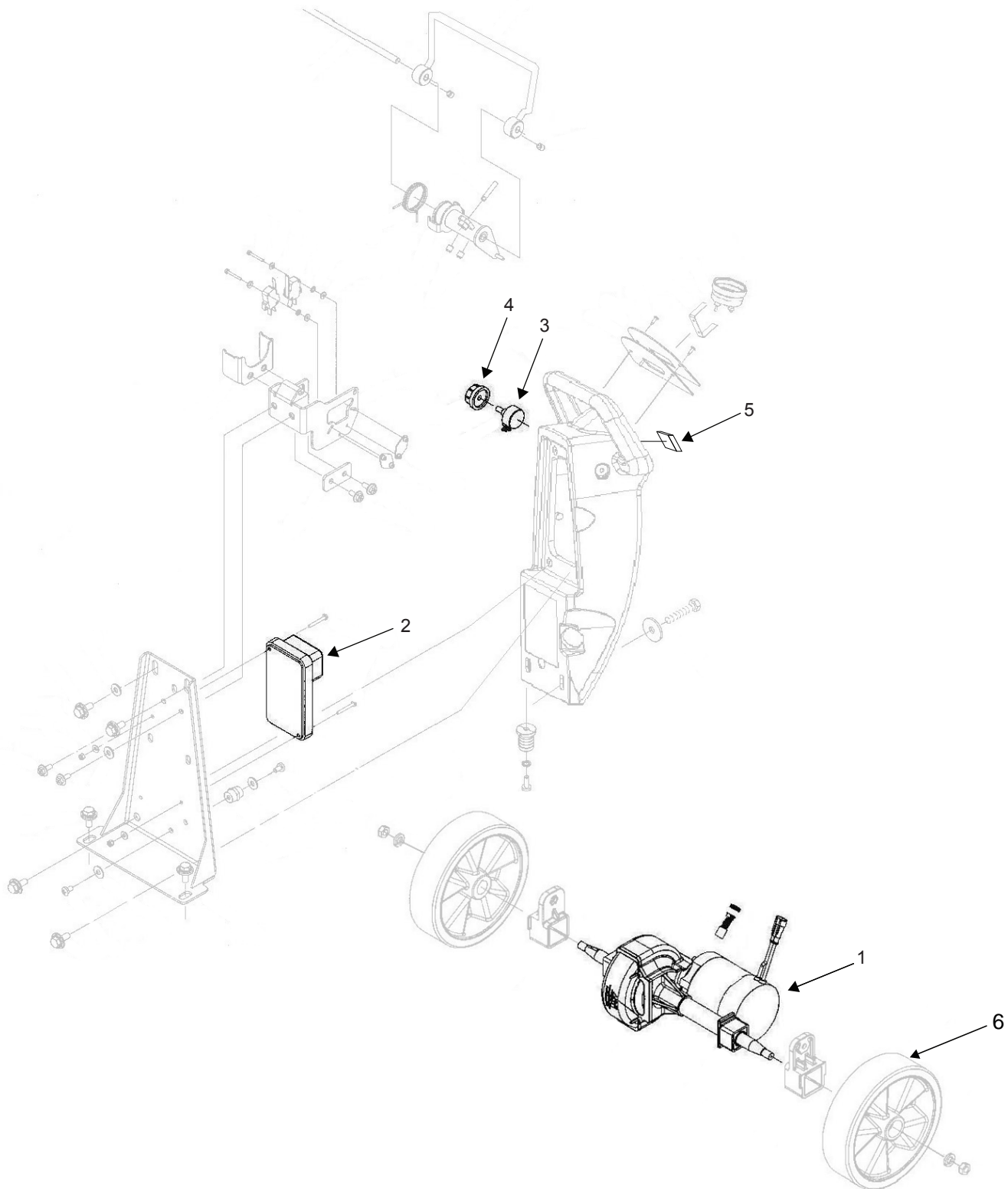
No	Part No.	Description	Qty
1	W11144	Tray, Battery	1
2	W10890	Battery - 12V	2
3	W11145	Cable, Battery Series Connection	1
4	W11146	Boot	4
5	W11147	Cable, Battery Charge	1
6	W11163	Complete Wiring Harness, DX20	1
7	W10815	24V Relay / Contactor	1
8	W10816-5A	Circuit Breaker, 5A	1
8	W10816-10A	Circuit Breaker, 10A	1
8	W10816-20A	Circuit Breaker, 20A	1
8	W10816-40A	Circuit Breaker, 40A	1
9	W10819-80A	Fuse, 80A	1
9	W10819-150A	Fuse, 150A	1
10	W10840	Toggle Switch	1

CHARGING SYSTEM



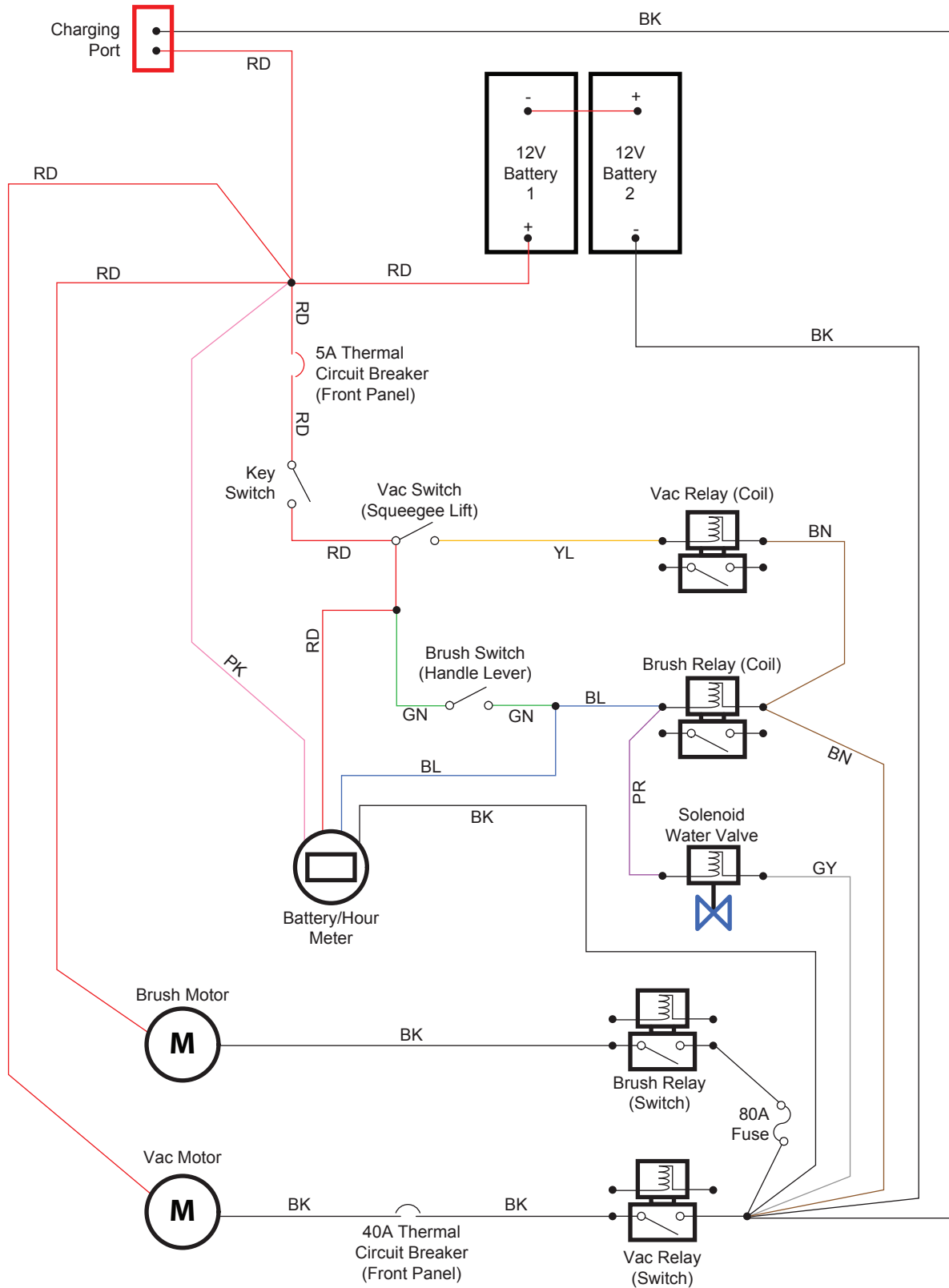
No	Part No.	Description	Qty
1	W10884	Battery Charger - 24V DX20	1
2	W10858	Charger Socket Housing	2
3	For Reference	Screw, M4×30	2
4	For Reference	Screw, M4×20	2
5	For Reference	Washer, M4	4
6	For Reference	Nut, M4	4

ADDITIONAL PARTS DX20T



No	Part No.	Description	Qty
1	W12321	Driving Motor	1
2	W12322	Control Box	1
3	W12323	Speed Governor	1
4	W12324	Knob, speed adjusting	1
5	W12325	Reverse Switch	1
6	W13115	8" Wheel for DX20T	2

WIRING DIAGRAM DX20



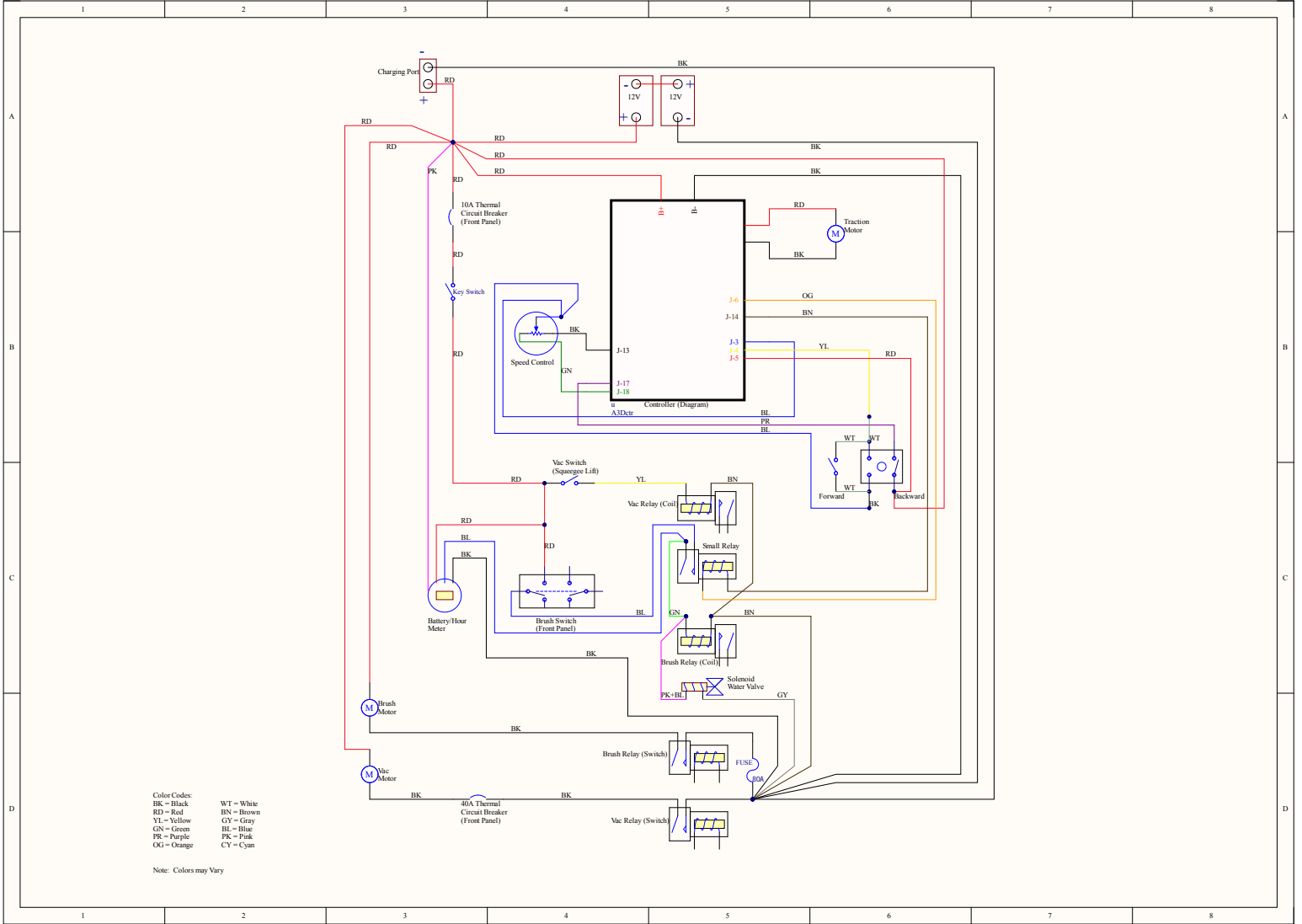
Color Codes:

- | | |
|-------------|------------|
| BK = Black | WT = White |
| RD = Red | BN = Brown |
| YL = Yellow | GY = Gray |
| GN = Green | BL = Blue |
| PR = Purple | PK = Pink |

Note: Colors may Vary

W11248_IR 20210514 SJA

WIRING DIAGRAM DX20T



ONYX

TECHNOLOGY POWERING A CLEANER FUTURE

12605 Commerce Station Dr • Suite 700
Huntersville, NC 28078

704.827.9368



ONYX STORE

onyxsolutions.com