

ONYX

TECHNOLOGY POWERING A CLEANER FUTURE



DX15
BATTERY AUTOSCRUBBER

ILLUSTRATED PARTS LIST

TABLE OF CONTENTS

Recovery Tank Group	3
Recovery Tank Cover	4
Fresh Water Tank Group	5
Fresh Water System Group	6-7
Frame Group	8-9
Wheel Group	10
Brush Group 1	11
Brush Group 2	12-13
Squeegee Group	14-15

How to order spare parts:

Parts and supplies may be ordered by phone, by fax or by email.

- A. Identify the machine model
- B. Identify the machine serial number
- C. Provide the part number and quantity

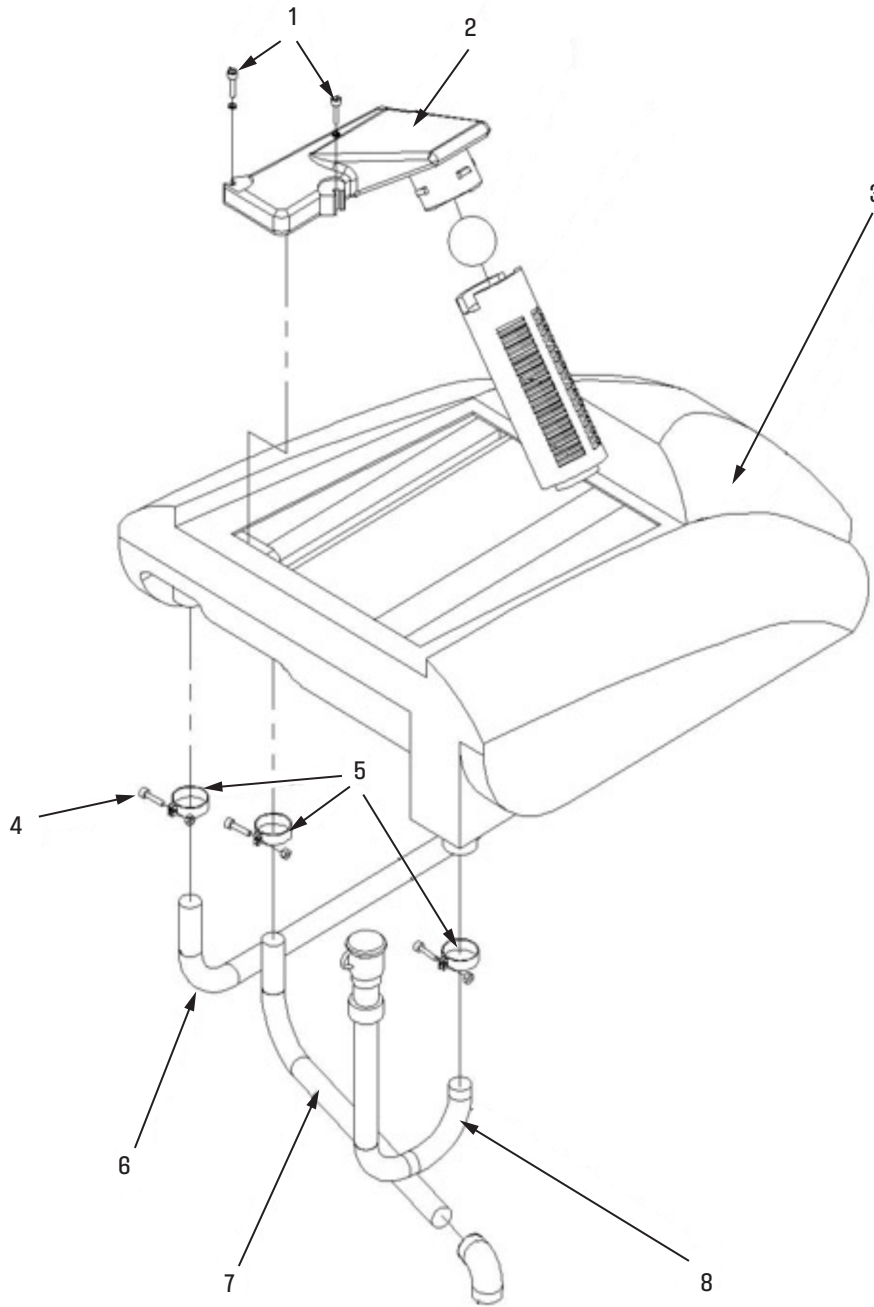
Provide your detail logistic information

Provide your name, company name, shipping address, phone number and purchase order number.



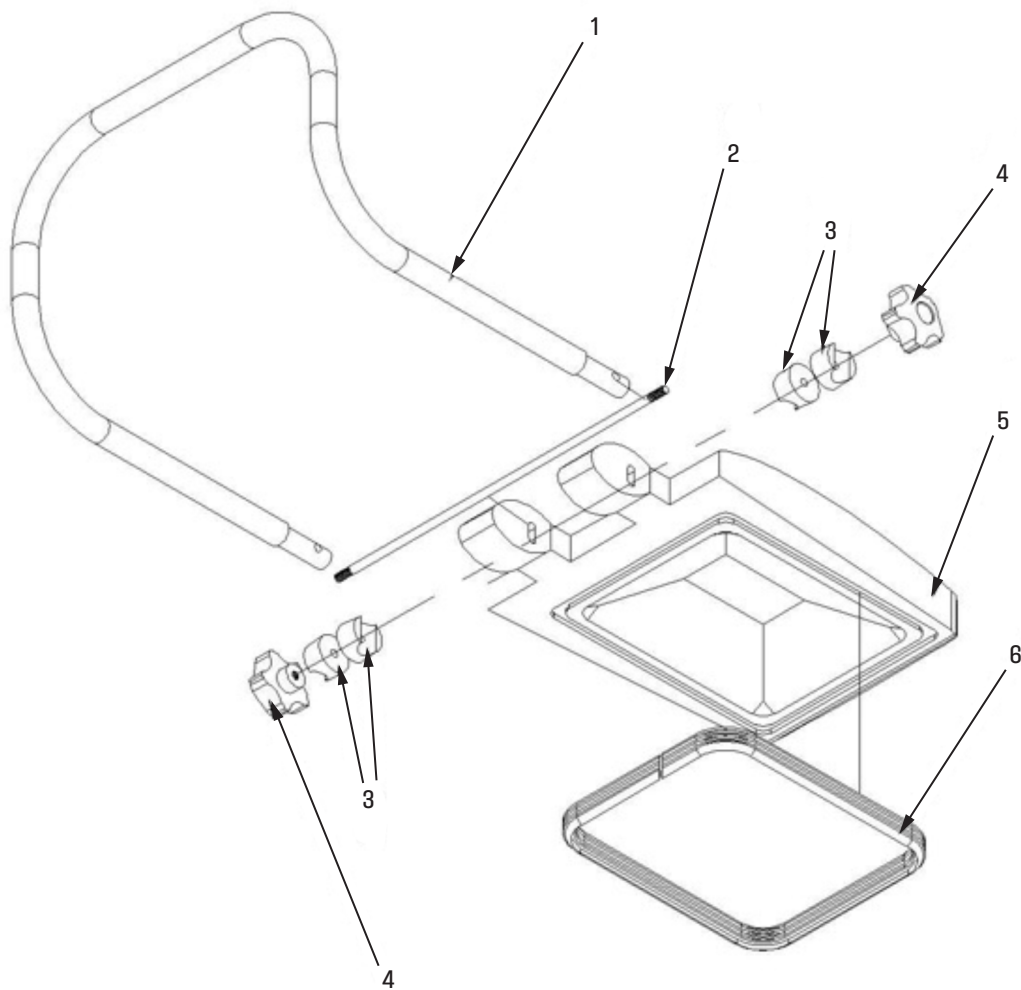
12605 Commerce Station Dr • Suite 700
Huntersville, NC 28078
704.827.9368

RECOVERY TANK GROUP



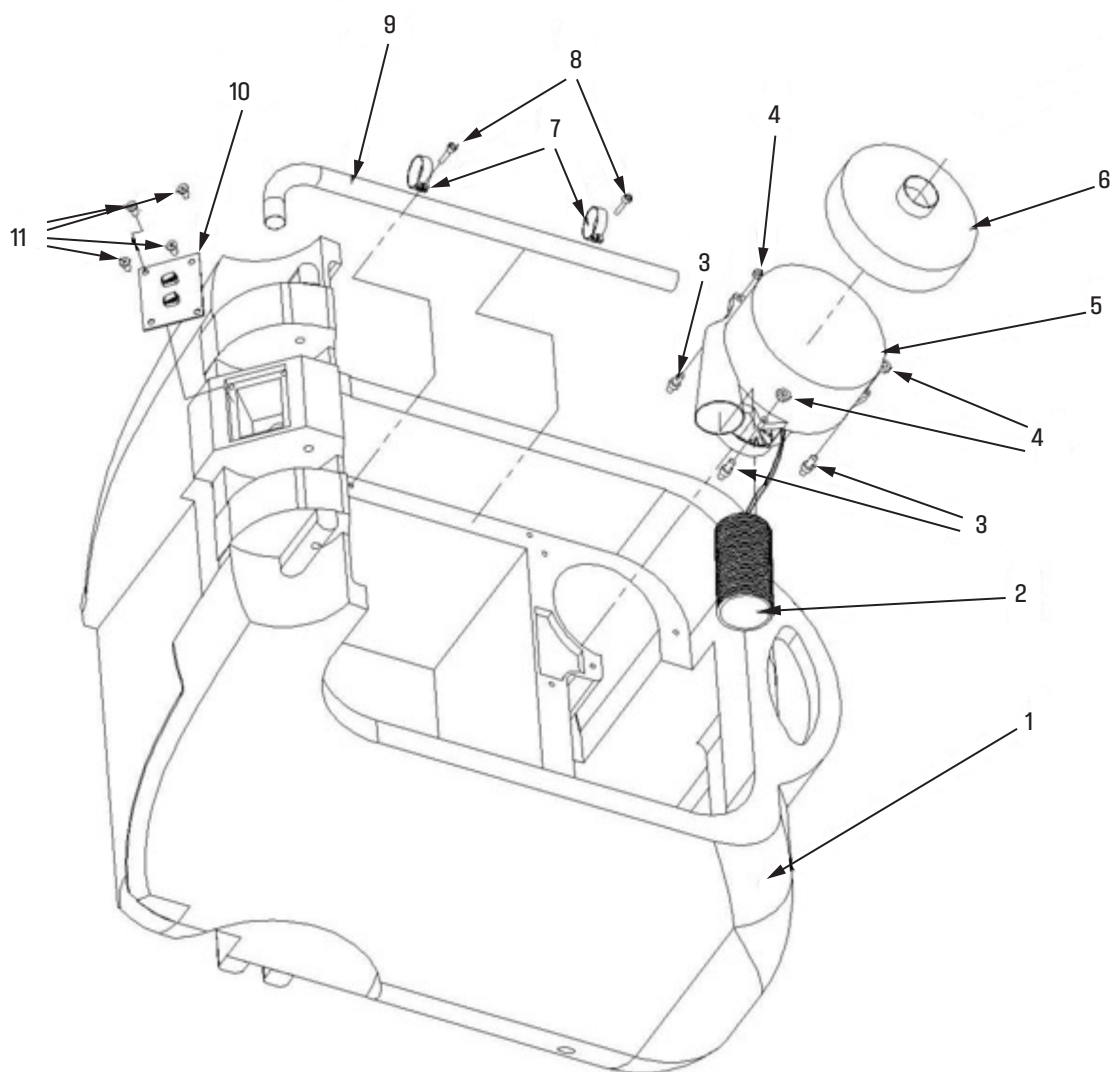
No	Part No.	Description	Qty
1	W12354	Screw, Bracket of Floating ball	2
2	W10951	Floating Ball Shutoff Tube	1
3	W12358	Recovery Tank	1
4	For Reference	Clip	3
5	For Reference	Clip	3
6	W12359	Air-suction pipe	1
7	W12359	Air-suction Pipe	1
8	W12361	Drainage Pipe	1

RECOVERY TANK COVER



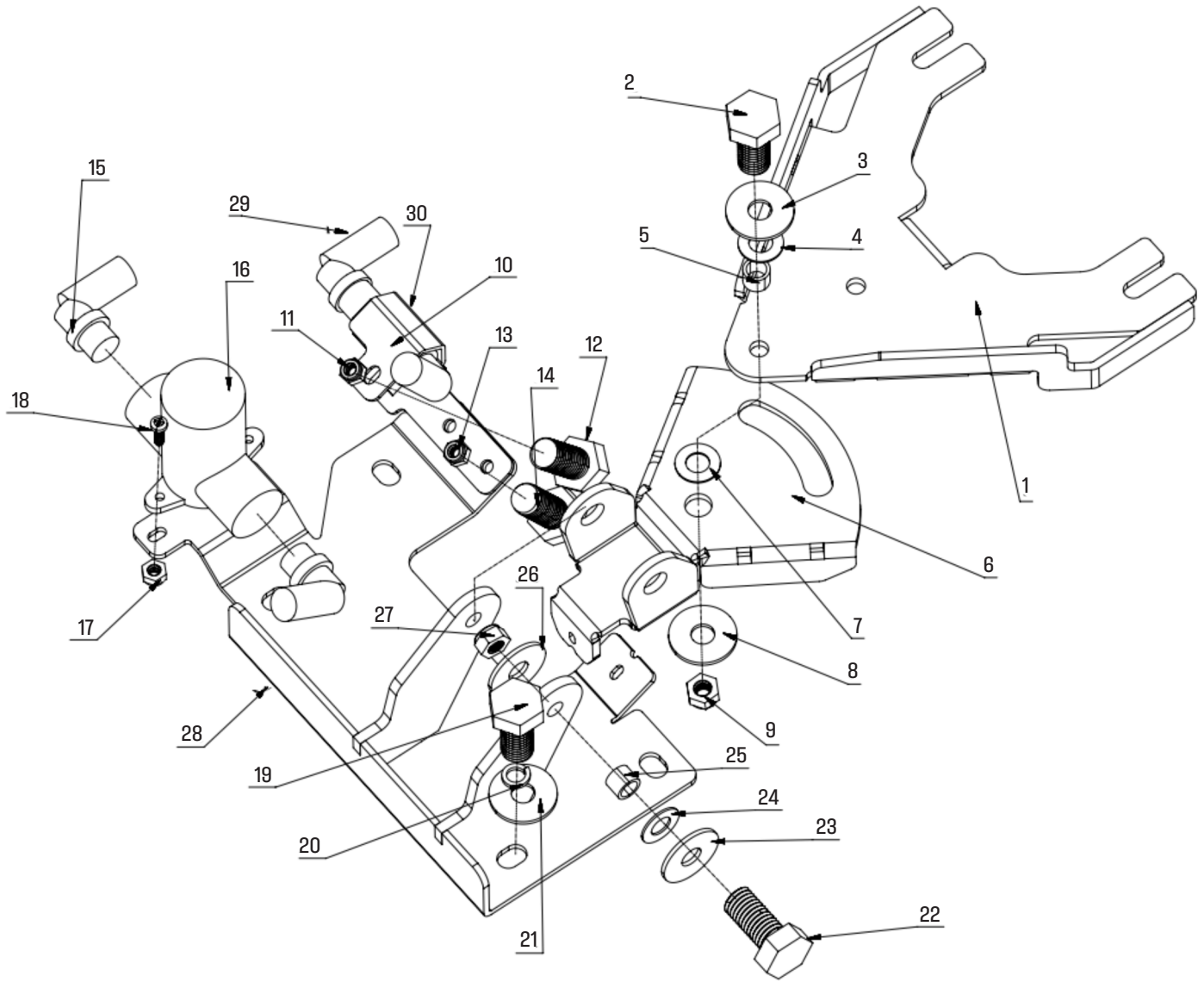
No	Part No.	Description	Qty
1	W12340	Handle	1
2	W12341	Handle fixing Shaft	1
3	W12342	Buckle, handle adjutment	4
4	W12343	Knob	2
5	W12344	Recovery tank cover	1
6	W10850	Recovery tank tover seal	1

FRESH WATER TANK GROUP



No	Part No.	Description	Qty
1	W12346	Fresh Water Tank	1
2	W11027	Noise muffler	1
3	W12348	Damping block, Vacuum Motor	3
4	For Reference	M6 Anti-skid Nut	3
5	W10872	Vacuum Motor	1
6	W12350	Cover, Vacuum Motor	1
7	For Reference	Wire Clip	2
8	For Reference	Screw for Wire Clip	2
9	W12352	Wire pipe	1
10	W12353	Panel	1
11	For Reference	Screw	4

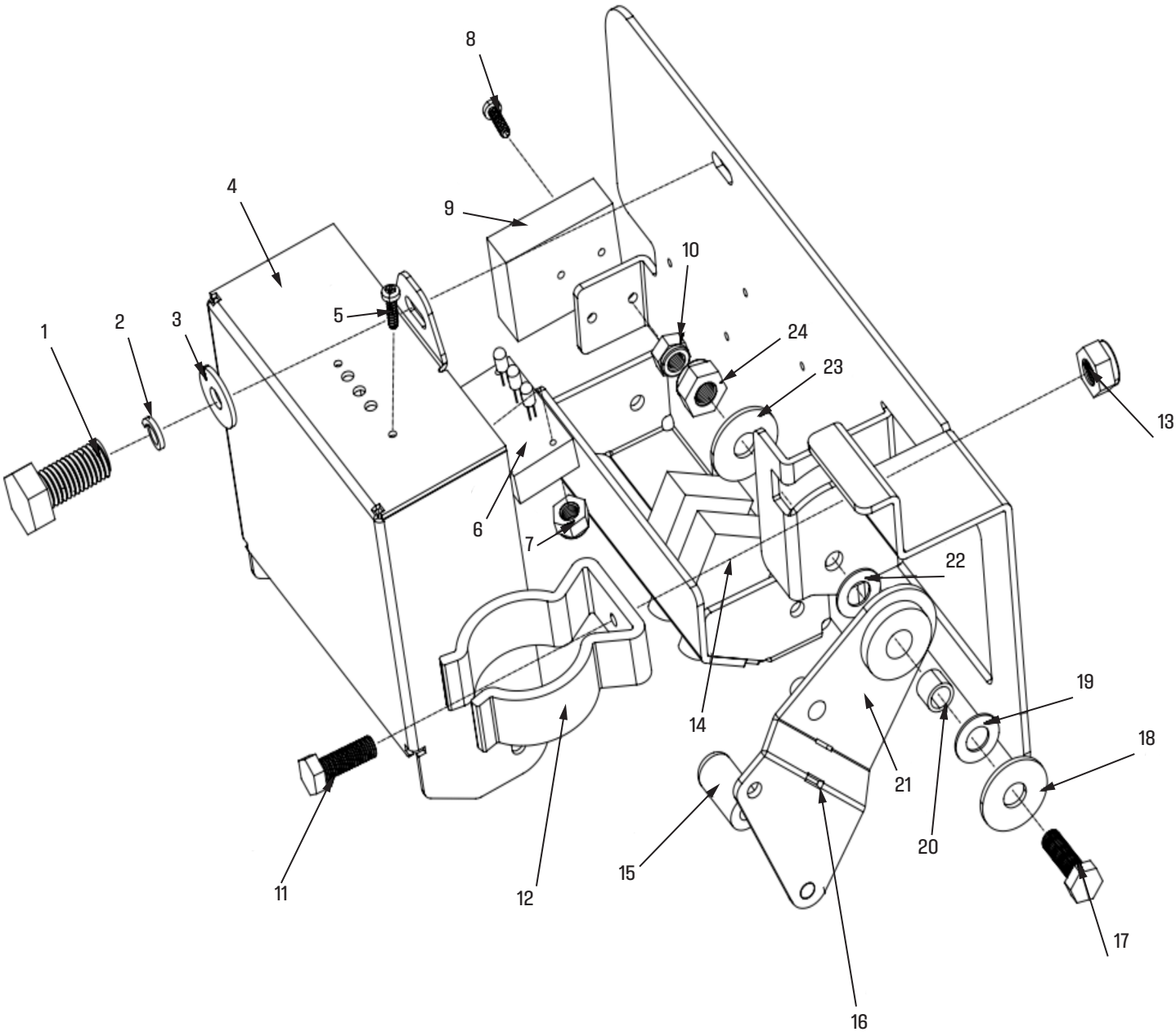
FRESH WATER SYSTEM GROUP



FRESH WATER SYSTEM GROUP

No	Part No.	Description	Qty
1	W12330	Squeegee Frame connecting 1	1
2	For Reference	8×30 Screw	2
3	For Reference	M8 Nylon Washer	2
4	For Reference	Nylon Washer	2
5	For Reference	Brass sleeve	2
6	W12331	Squeegee Frame connecting 2	1
7	For Reference	Nylon washer	2
8	For Reference	M8 washer	2
9	For Reference	M8 Non-slip nut	2
10	For Reference	Water Valve	1
11	For Reference	M6Nut	2
12	For Reference	M6X30 Screw	2
13	For Reference	M6 nut	2
14	For Reference	M6×20Screw	2
15	W12332	3/8" Elbow Brass joint	4
16	W12333	Filter	1
17	For Reference	Nut	2
18	For Reference	Screw	2
19	For Reference	M10X15 Screw	4
20	For Reference	M10 Spring washer	4
21	For Reference	M10 Washer	4
22	For Reference	M8X30 Screw	2
23	For Reference	M8 Washer	2
24	For Reference	M8 Nylon Washer	2
25	For Reference	Brass Sleeve	2
26	For Reference	M8 Washer	2
27	For Reference	M8 Nut	2
28	W12334	Water Filter Plate 1	1
29	W12335	Elbow joint	1
30	W12336	Water Valve fixing plate	1

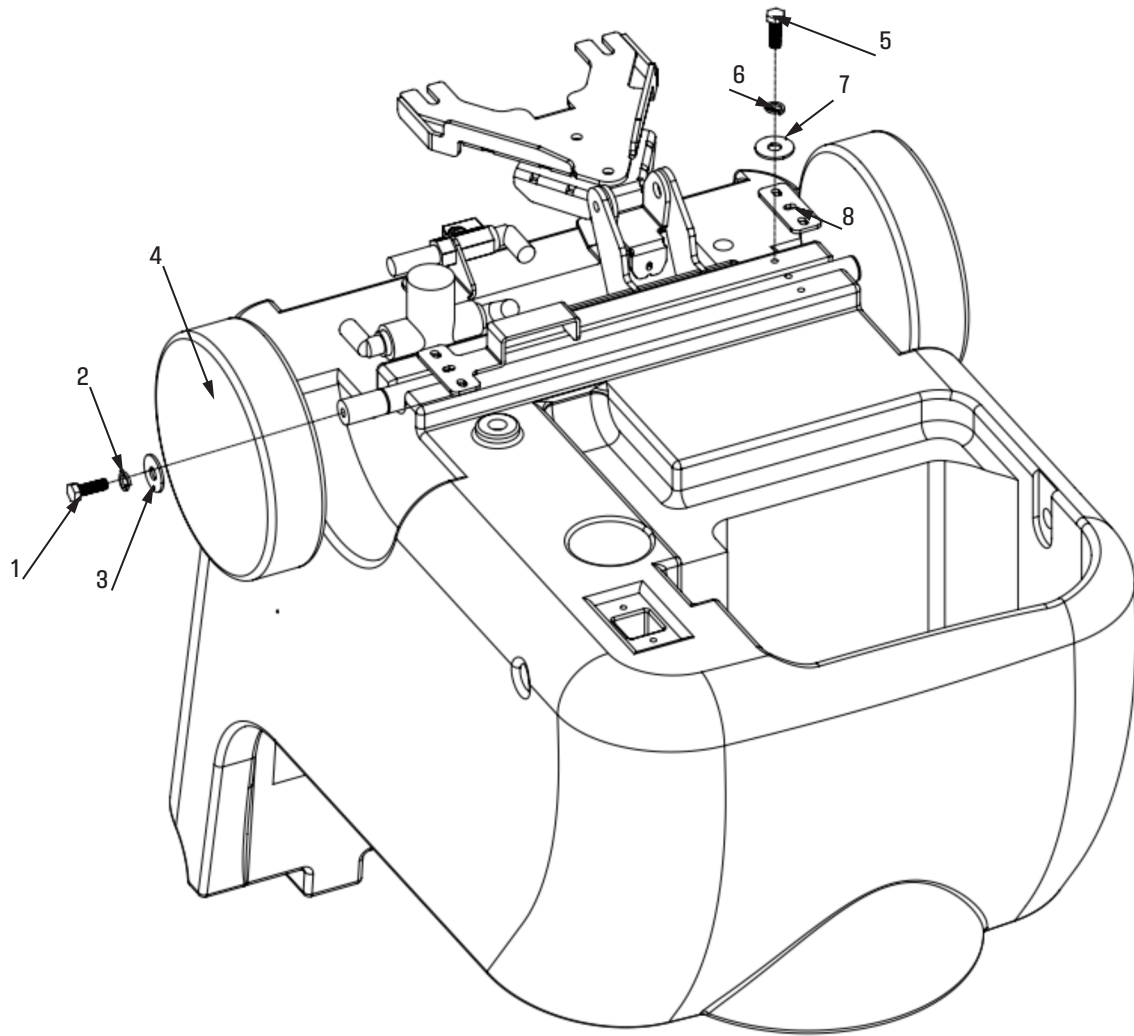
FRAME GROUP



FRAME GROUP

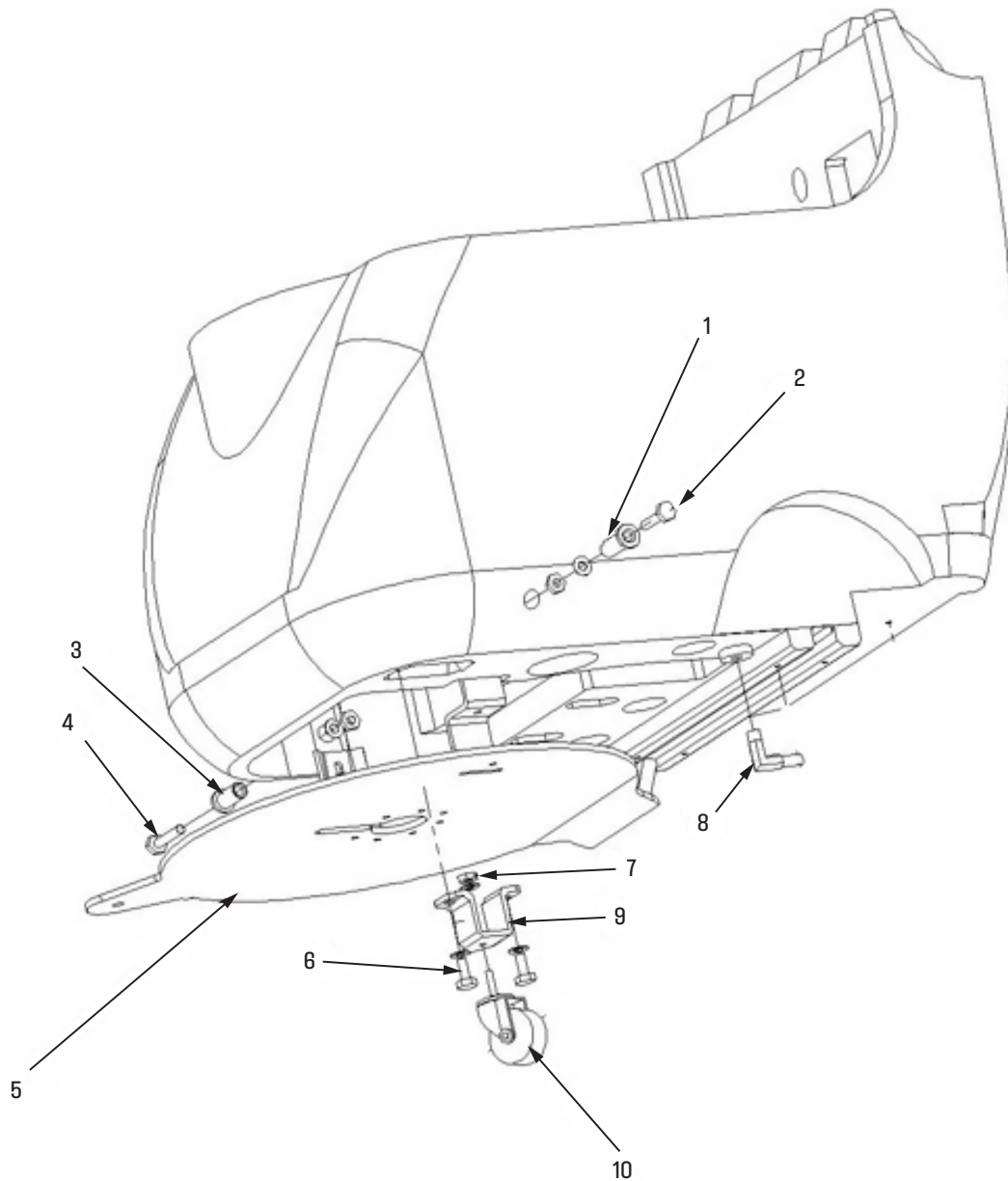
No	Part No.	Description	Qty
1	For Reference	M6×20 Screw	3
2	For Reference	M6 Spring Washer	3
3	For Reference	M6 Washer	3
4	W12362	Wire Box	1
5	For Reference	M2 Screw	2
6	W12363	Power Light	1
7	For Reference	M2 Screw	2
8	For Reference	M3 Screw	2
9	W10858	Charger Socket Housing	1
10	For Reference	M3 Nut	2
11	For Reference	M6×20 Screw	1
12	For Reference	Drainage Pipe Clip	1
13	For Reference	M6 Non-slip Nut	1
14	W12365	Overload protector	3
15	W11074	Handle Knob	1
16	For Reference	Steel Wire	1
17	For Reference	M8×30 Screw	1
18	For Reference	M8 Washer	1
19	For Reference	Nylon Washer	1
20	W12367	Brass Sleeve	1
21	W12368	Bracket, squeegee lifting	1
22	For Reference	Nylon Washer	1
23	For Reference	M8 Washer	1
24	For Reference	M8 Nut	1

WHEEL GROUP



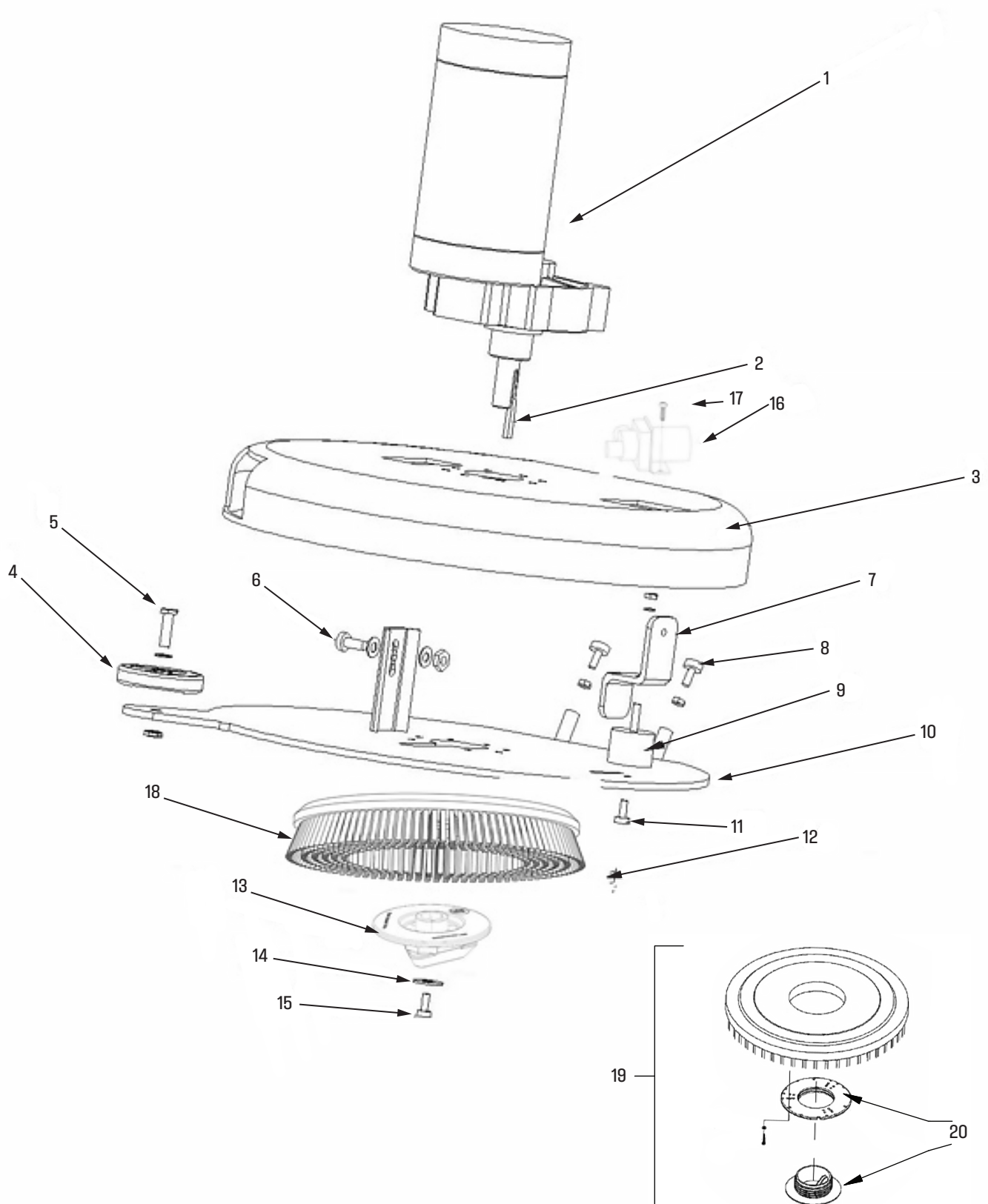
No	Part No.	Description	Qty
1	For Reference	M8×15 Screw	2
2	For Reference	M8 Spring Washer	2
3	For Reference	M8 Washer	2
4	W10855	Main Wheel 8"	2
5	For Reference	M6×15 Screw	6
6	For Reference	M6 Spring washer	6
7	For Reference	M6 Washer	6
8	W12339	Plate, fixing wheel shaft	2

BRUSH GROUP 1



No	Part No.	Description	Qty
1	W12369	Fixing Sleeve, brush assembly (right)	1
2	For Reference	Screw (right)	1
3	W12370	Fixing Sleeve, brush assembly (left)	1
4	For Reference	Screw (left)	1
5	For Reference	Screw, brush motor	1
6	For Reference	Screw, Caster bracket	2
7	For Reference	Screw, Caster	1
8	W12371	Elbow Joint 1/4-14mm, NPT	1
9	W12372	Caster Bracket	1
10	W12373	Caster	1

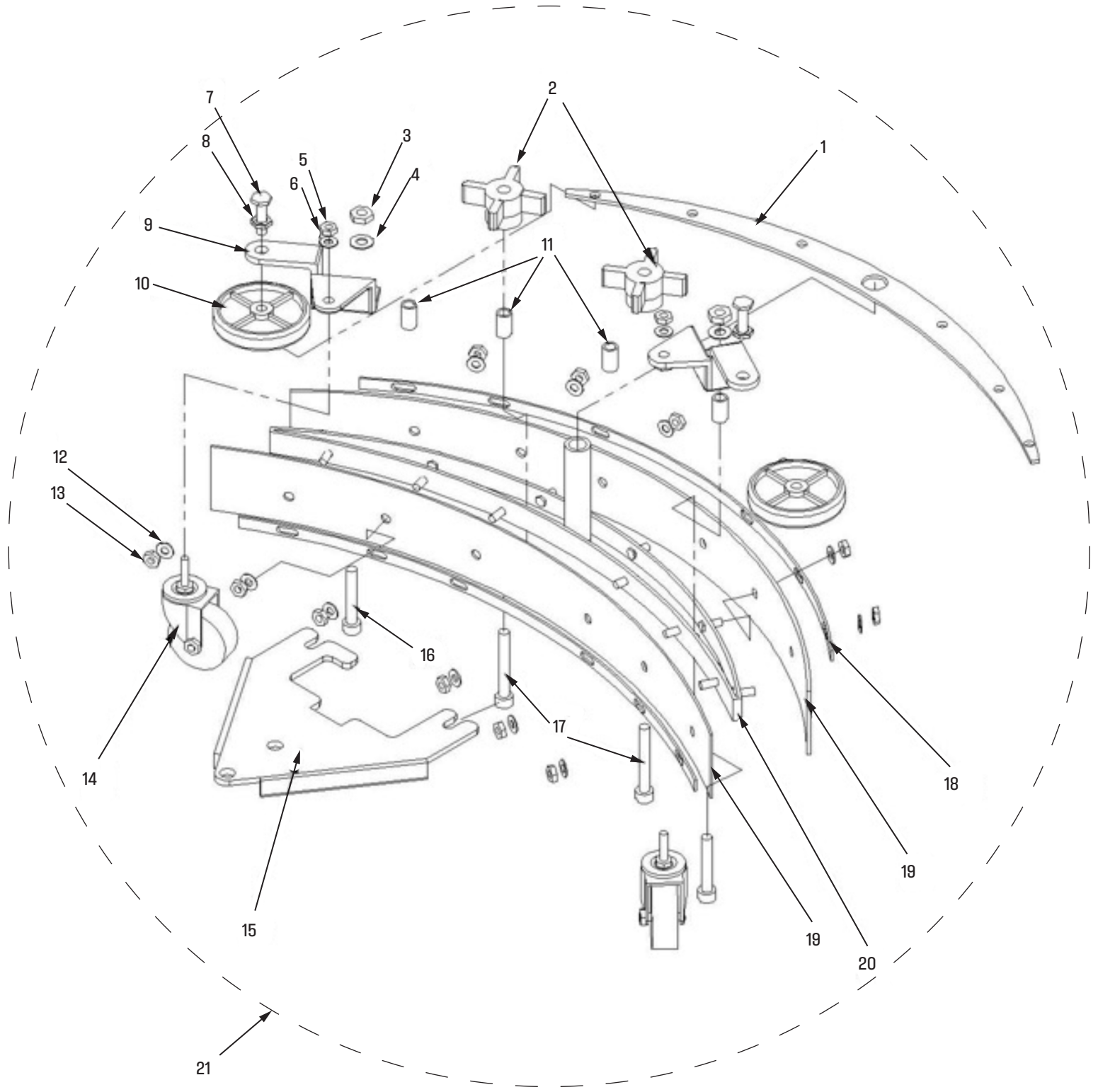
BRUSH GROUP 2



BRUSH GROUP 2

No	Part No.	Description	Qty
1	W11093	Brush Motor	1
2	W11097	Key	1
3	W12375	Brush Cover	1
4	W12376	Bumper Wheel	1
5	For Reference	Screw	1
6	For Reference	Screw, Brush Assembly	1
7	W12377	Lifting Lug, right	1
8	For Reference	Screw	2
9	W12378	Damping block	1
10	W12379	Brush Cover plate	1
11	For Reference	Screw	1
12	W10807	15" Brush	1
13	W10813	Triangle Driver	1
14	For Reference	M8 Washer and Spring Washer	1
15	For Reference	Screw	1
16	W10818	Solenoid Valve	1
17	For Reference	M6 Screw	2
18	W10806	Brush 15", Standard Stiffness	1
	W10879	Brush 15", Extra Stiffness	1
19	W10807	Pad Driver, 15"	1
20	W10848	Pad Holder Assembly, Clip & Housing	1

SQUEEGIE GROUP



SQUEEGIE GROUP

No	Part No.	Description	Qty
1	W12383	Squeegee plate-1	1
2	W12384	Star Knob	2
3	For Reference	M8 Non-slip Nut	2
4	For Reference	M8 Washer	2
5	For Reference	M10 Non-slip Nut	2
6	For Reference	M10 Washer	2
7	For Reference	M8×40 Screw	2
8	For Reference	M8 Washer	2
9	W12385	Bracket, Bumper Wheel	2
10	W12376	Bumper wheel	2
11	W12387	Brass Sleeve	4
12	For Reference	M6 Washer	6
13	For Reference	M6 Non-slip Nut	6
14	W10870	Swivel Caster	2
15	W12330	Squeegee Bracket -1	1
16	For Reference	Screw	2
17	For Reference	Screw	2
18	W12390	Blade Strip	2
19	W12391	Squeegee Blade	2
20	W12392	Squeegee Bracket-2	1
21	W10808	Squeegee Assembly	1

ONYX

TECHNOLOGY POWERING A CLEANER FUTURE

12605 Commerce Station Dr • Suite 700
Huntersville, NC 28078
704.827.9368



ONYX STORE

onyxsolutions.com