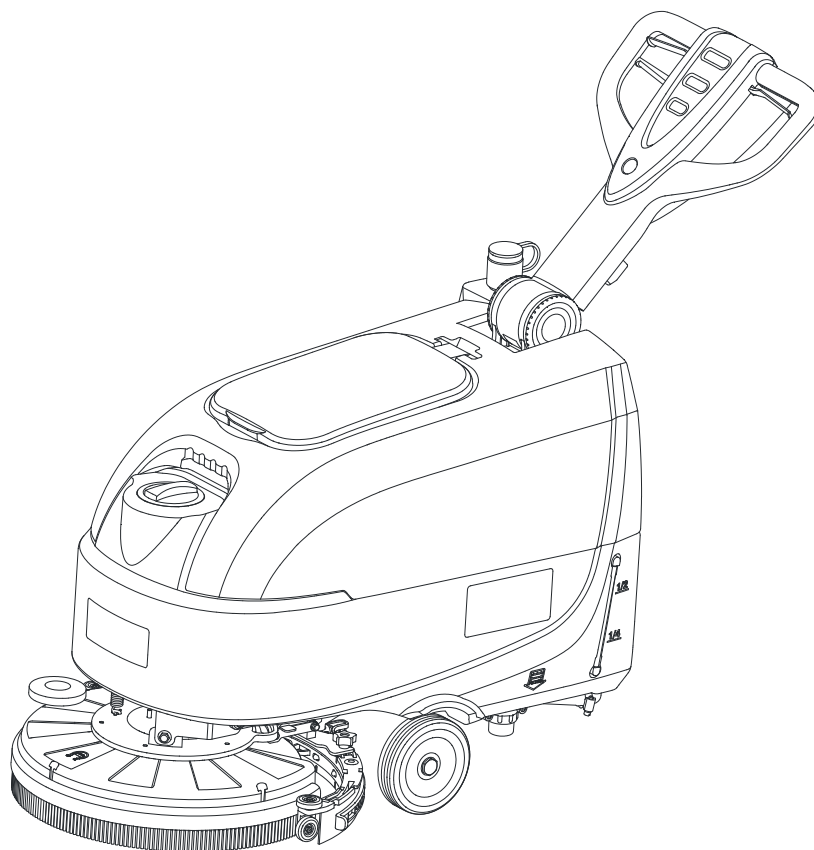


# SC370 43B / SC370 17B

## PARTS LIST



Model No.:50000627/50000638

55942486

Rev. A 03. JAN. 2023



# PARTS LIST

---

## TABLE OF CONTENTS

GENERAL VIEW .....	2
HANDLE WITH MOUNTING BASE ASSEMBLY.....	4
RECOVERY TANK ASSEMBLY.....	7
SOLUTION TANK ASSEMBLY.....	9
CHASSIS ASSEMBLY .....	13
SQUEEGEE ASSEMBLY.....	16
BRUSH ASSEMBLY.....	18
WEAR AND TEAR PARTS.....	22
WIRING DIAGRAM .....	23

### WHEN ORDERING PARTS

\*Use the part numbers from the "Part. No." columns in this parts list.

\*Specify the model and serial number of the machine.

\*Use the space below to record the model and serial number for future reference.

Model

Serial No.

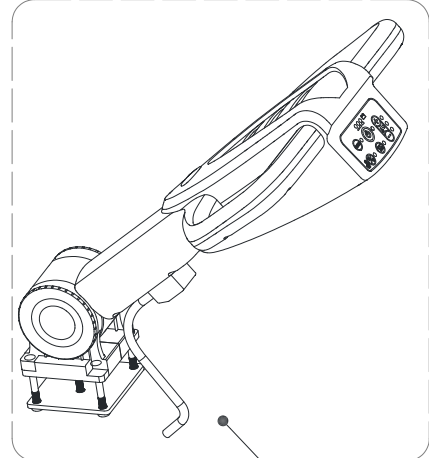
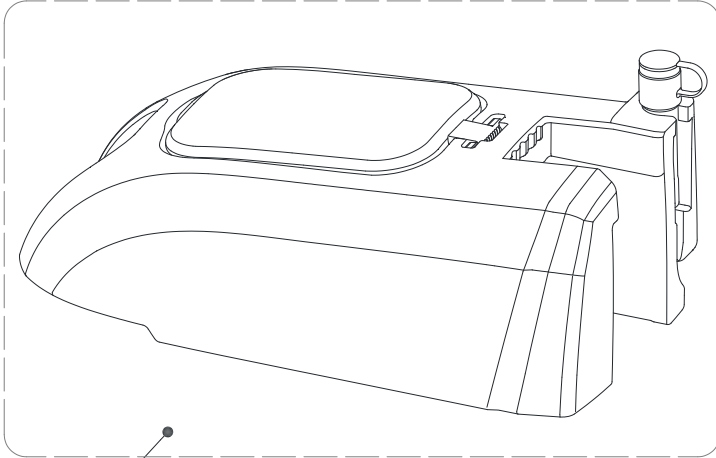
\* = Optional

# = Modified item No. or New Item No.

[] = Not shown

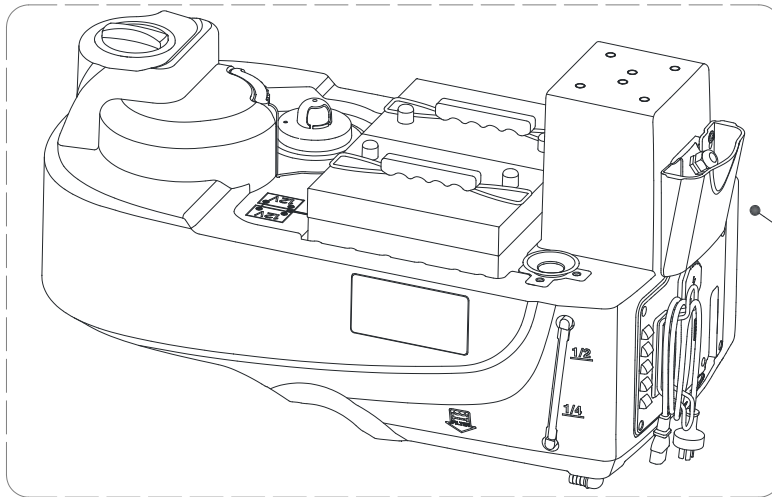
# PARTS LIST

## GENERAL VIEW

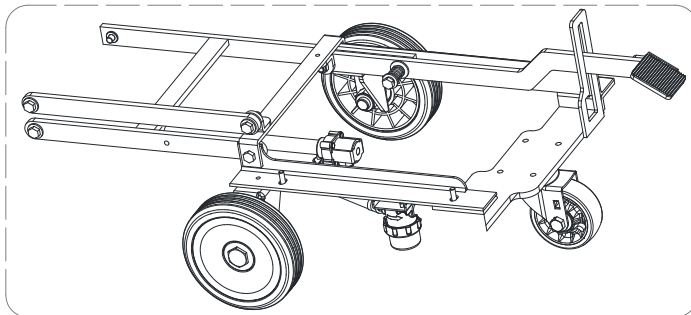


2

1

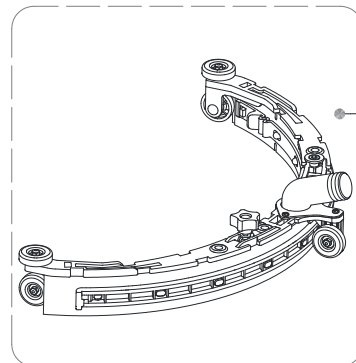
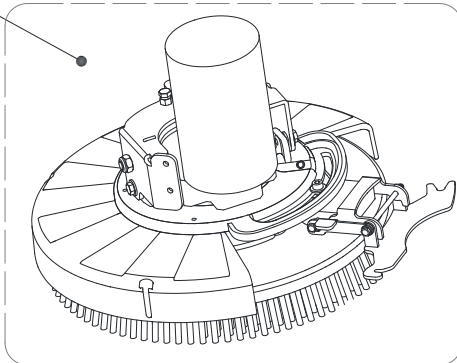


3



4

6



5

## PARTS LIST

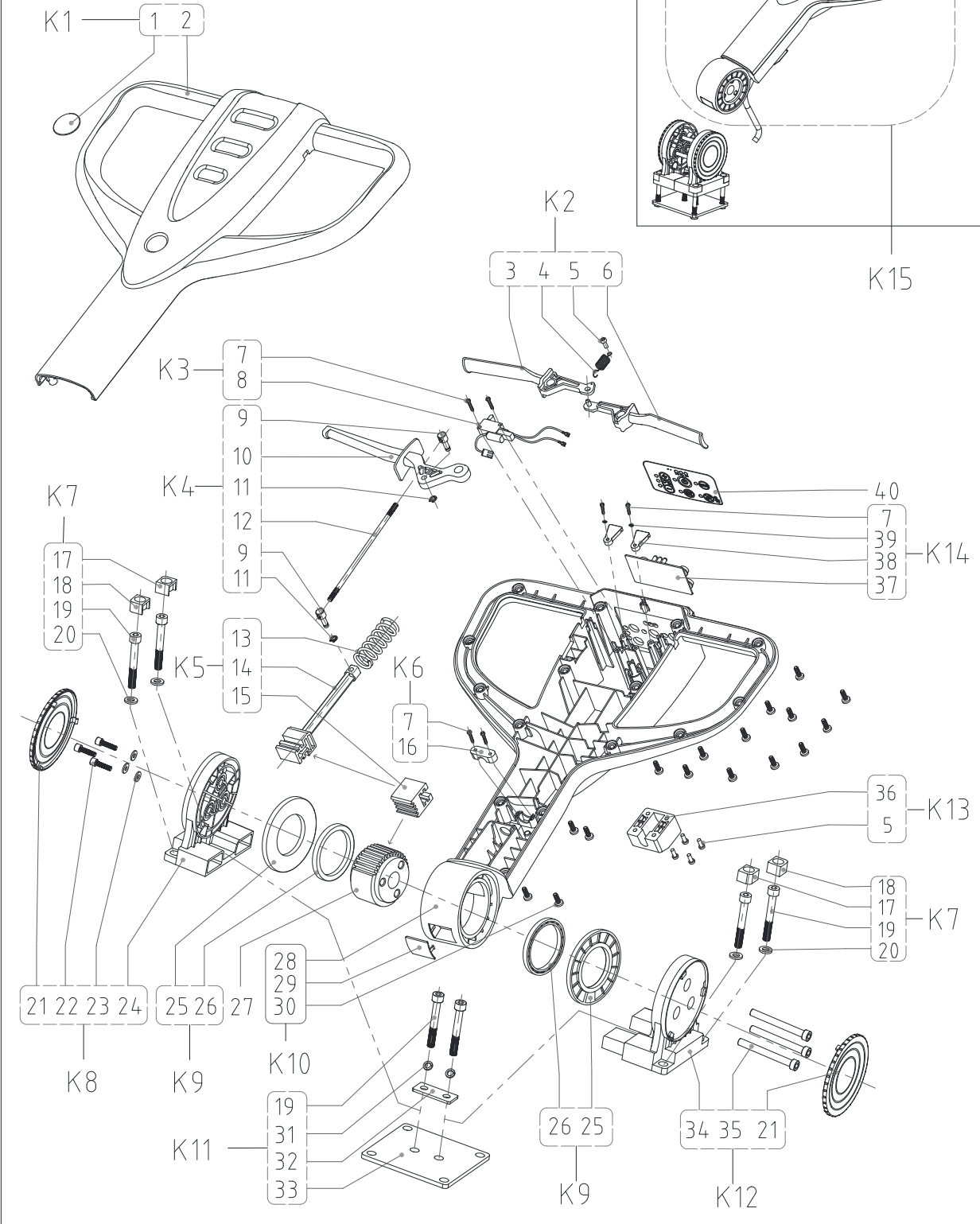
---

### GENERAL VIEW

Item	Description	Qty
1	HANDLE WITH MOUNTING BASE ASSEMBLY	1
2	RECOVERY TANK ASSEMBLY	1
3	SOLUTION TANK ASSEMBLY	1
4	CHASSIS ASSEMBLY	1
5	SQUEEGEE ASSEMBLY	1
6	BRUSH ASSEMBLY	1

# PARTS LIST

## HANDLE WITH MOUNTING BASE ASSEMBLY



## PARTS LIST

### HANDLE WITH MOUNTING BASE ASSEMBLY

Kit	Item	Part No.	Description	Qty
K1	1		STICKER DROP GLUE	1
K1	2		FRONT COVER HANDLE	1
K2	3		RIGHT LEVER BRUSH SWITCH	1
K2	4		SPRING	1
K2/K13	5	VF13544	SCREW ST4X10MM	5
K2	6		LEFT LEVER BRUSH SWITCH	1
K3/K6/ K14	7		SCREW ST3X16MM	6
K3	8		MICRO SWITCH	1
K4	9		FIXING END OF PULLING ROD	2
K4	10	VS15133	ADJUST LEVER HANDLE	1
K4	11		LOCKWASHER	2
K4	12		PULLING ROD	1
K5	13		SPRING COMPRESSION	1
K5	14	VS15135	CONNECTION ROD	1
K5	15	VS15193	RACK	1
K6	16		CLAMP	1
K7	17		RUBBER SLEEVE SCREW ROD EDGE	2
K7	18		RUBBER SLEEVE SCREW ROD	2
K7/K11	19		SCREW ROD M8	6
K7	20		WASHER OD15.7XID8.5XT1.5MM	4
K8/K12	21	VS15142	DECORATION COVER HANDLE	2
K8	22		SCREW M5X20MM	3
K8	23		WASHER ID5XOD12XT1MM	3
K8	24	VS15144	RIGHT FIXING BASE HANDLE	1
K9	25		ANTI ABRATION CIRCLE	2
K9	26		INNER FIXING CIRCLE OF GEAR	2
	27	VS15192	GEAR	1
K10	28	VS15136	REAR COVER HANDLE	1
K10	29	VS15141	SEALING COVER HANDLE	1
K10	30		SCREW PB5X14MM	16

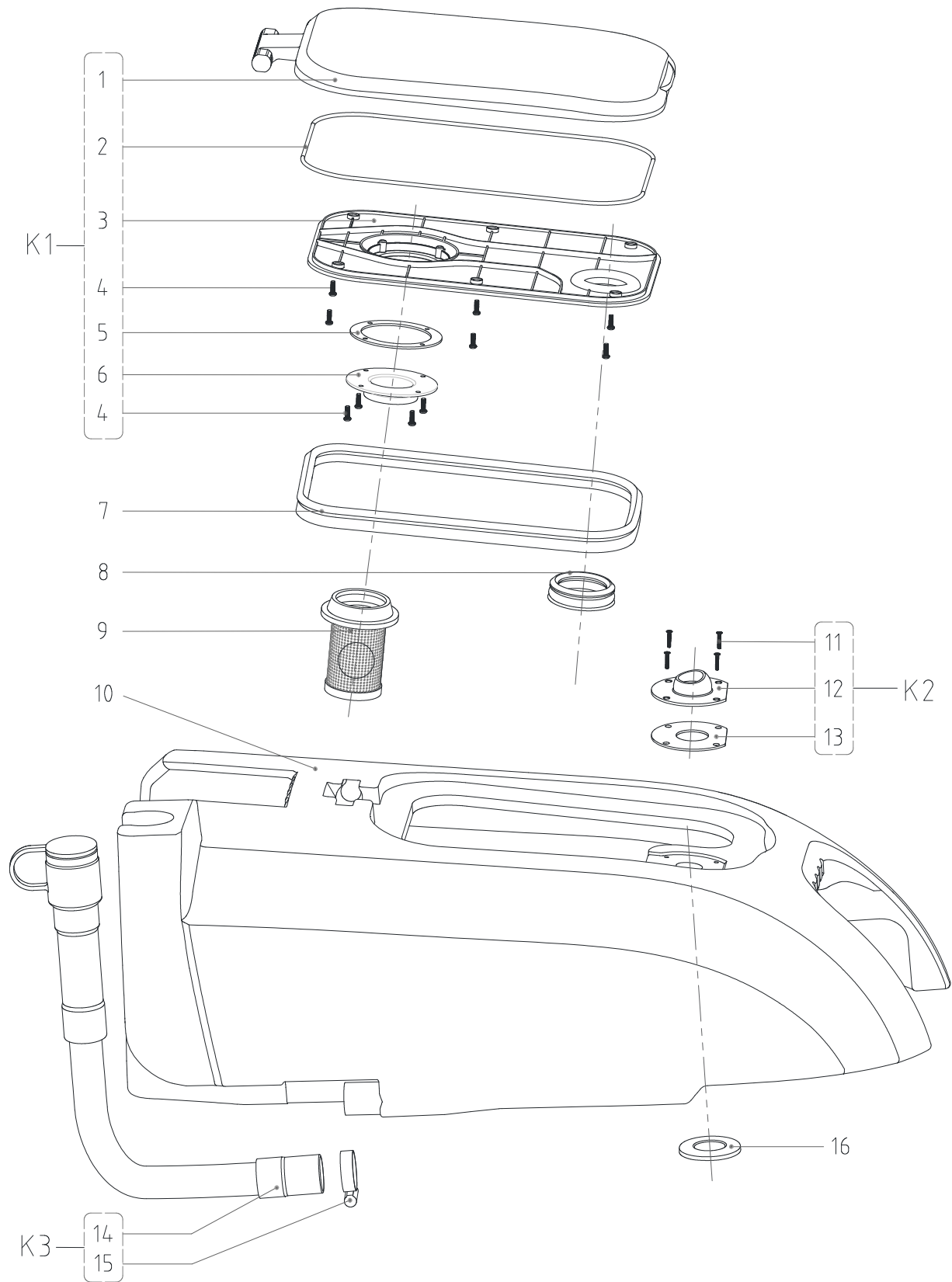
## PARTS LIST

### HANDLE WITH MOUNTING BASE ASSEMBLY

Kit	Item	Part No.	Description	Qty
K11	31		WASHER Ø8MM	2
K11	32		CONNECTION PLATE OF FIXING BASE	1
K11	33		FIXING PLATE OF FIXING BASE	1
K12	34	VS15143	LEFT FIXING BASE HANDLE	1
K12	35		FIXING SCREW ROD OF GEAR	3
K13	36		CABLE FIXING BRACKET	1
K14	37	VS15025	DASH BOARD 24V AGM	1
K14	38		PCB FIXING PLATE	2
K14	39		WASHER	2
	40	VS15216	DECAL CONTROL PANEL BATTERY VERSION	1
	K1	VS15383	FRONT COVER HANDLE KIT	1
	K2	55942448	LEVER BRUSH SWITCH KIT	1
	K3	VV81063	MICRO SWITCH KIT	1
	K4	VS15385	ADJUST LEVER HANDLE KIT	1
	K5	VS15386	CONNECTION ROD KIT	1
	K6	VA21517A	CLAMP KIT	1
	K7	VS15387	RUBBER SLEEVE SCREW ROD KIT	2
	K8	VS15388	RIGHT FIXING BASE KIT	1
	K9	VS15389	INNER FIXING CIRCLE OF GEAR KIT	2
	K10	VS15390	REAR COVER HANDLE KIT	1
	K11	VS15391	FIXING PLATE OF FIXING BASE KIT	1
	K12	VS15392	LEFT FIXING BASE KIT	1
	K13	VS15393	CABLE FIXING BRACKET KIT	1
	K14	VS15394	DASH BOARD 24V AGM KIT	1
	K15	55942503	HANDLE ASSEMBLY	1

# PARTS LIST

## RECOVERY TANK ASSEMBLY



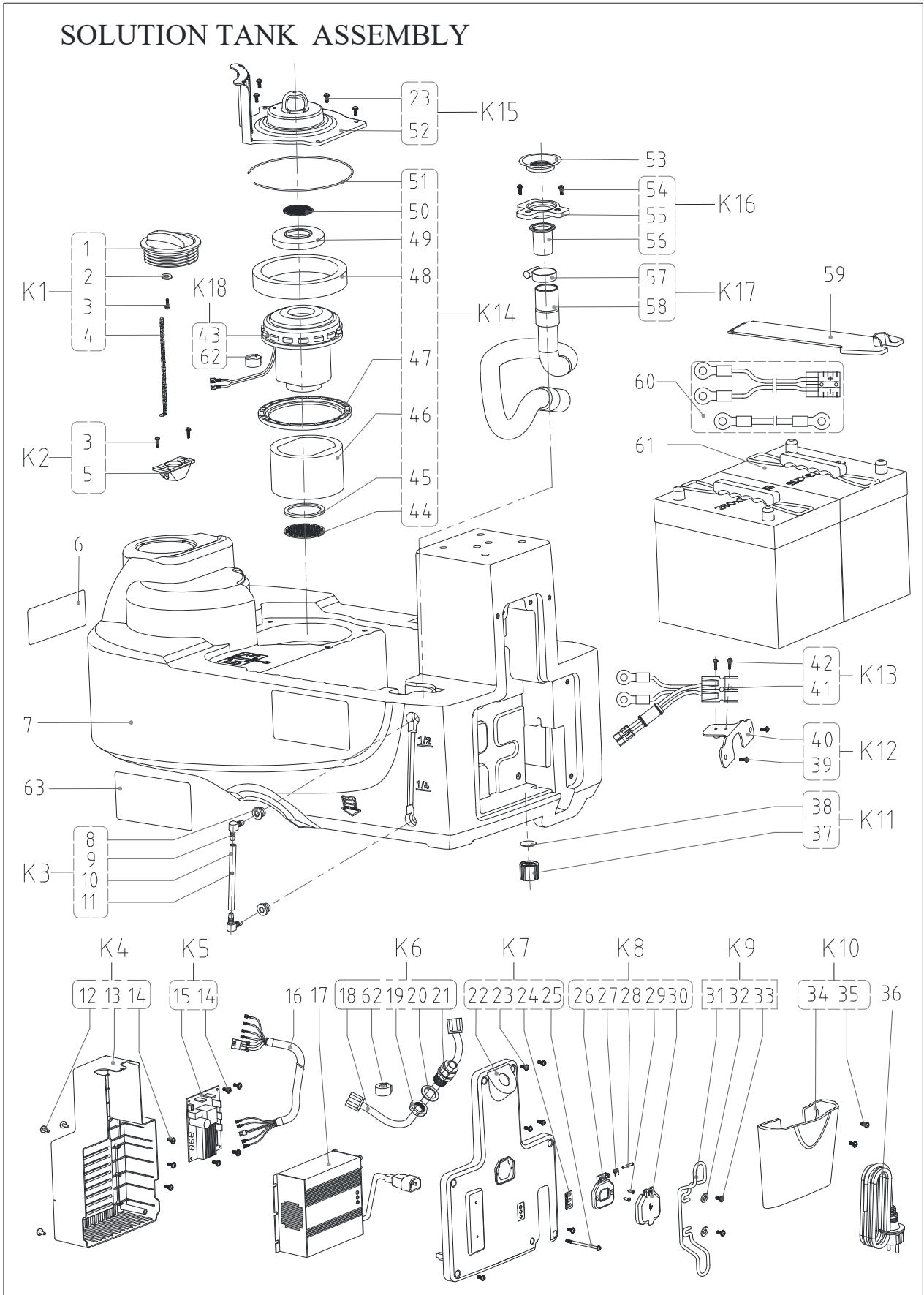


## PARTS LIST

### RECOVERY TANK ASSEMBLY

Kit	Item	Part No.	Description	Qty
K1	1		RECOVERY TANK LID	1
K1	2		INNER GASKET OF RECOVERY TANK LID	1
K1	3		RECOVERY TANK LOWER LID	1
K1	4		SCREW ST4X12MM	10
K1	5		RUBBER GASKET OF ADAPTOR	1
K1	6		FLOAT CUP ADAPTOR	1
	7	55942443	GASKET OF RECOVERY TANK LID	1
	8	VS15226	SUCTION PORT ROUND GASKET	1
	9	VS15323	VACUUM GRID WITH AUTOMATIC SHUT-OFF FLOAT	1
	10	55942472	RECOVERY TANK 25L	1
K2	11		SCREW M4X12MM	4
K2	12		SUCTION PORT	1
K2	13		SUCTION PORT GASKET	1
K3	14		DRAIN HOSE	1
K3	15	VS15271	CLAMP21-38MM,SUS304	1
	16	VS15320	HIGH ELASTIC GASKET, OD101XID65X8MM,CR30	1
	K1	55942446	RECOVERY TANK LID ASSEMBLY	1
	K2	VS15399	SUCTION PORT KIT	1
	K3	VS15400	DRAIN HOSE KIT	1

# PARTS LIST



# PARTS LIST

## SOLUTION TANK ASSEMBLY

Kit	Item	Part No.	Description	Qty
K1	1	55942469	SOLUTION COVER	1
K1	2		WASHER4X12X1MM	1
K1/K2	3		SCREW TA3.5X12MM	3
K1	4		ZIPPER	1
K2	5		INLET PIPE FRAME	1
	6a	55942482	NILFISK LOGO LABEL	1
	6b	55942500	ADVANCE LOGO LABEL	1
	7	55942473	SOLUTION TANK 25L	1
K3	8		JOINTS GASKET	2
K3	9		ELBOW, 90°	2
K3	10		HOSE FRESH WATER LEVEL	1
K3	11		FLOATING BALL OF WATER LEVEL	1
K4	12		SCREW PB4.0X12MM	3
K4	13		MOUNTING BASE OF CHARGER	1
K4/K5	14		SCREW PB4.0X10MM	9
K5	15	VS15026	CONTROLLER MAIN MACHINE	1
	16	VS15012	DC MAIN WIRE HARNESS	1
	17	VS15018	CHARGER 10A	1
K6	18		COMMUNICATION CABLE	1
K6	19		CABLE STRAIN RELIEF NUT	1
K6	20		GASKET	1
K6	21		CABLE STRAIN RELIEF	1
K7	22		CHARGE REAR COVER	1
K7/K15	23		SCREW PWM4.0X12mm	10
K7	24	VS15459	CHARGING DISPLAY LABEL	1
K7	25		SCREW M4X70MM	1
K8	26		CHARGER SOCKET FIX	1
K8	27		SPRING	1
K8	28		PIN	1
K8	29		SCREW ST4.0X16MM	2
K8	30		CHARGER SOCKET COVER	1
K9	31		CABLE SUPPORT	1

\* Item 6a only for EU

\* Item 6b only for US

## PARTS LIST

### SOLUTION TANK ASSEMBLY

Kit	Item	Part No.	Description	Qty
K9	32		WASHER ID4.0XOD12X1MM	2
K9	33		SCREW ST4.0X16MM	2
K10*	34		BACK ACCESSORY BOX	1
K10*	35		SCREW WITH WASHER	2
	36a	VF89725	BATTERY CHARGING CABLE EU	1
	36b	VF89726	BATTERY CHARGING CABLE UK	1
	36c	VF89724	BATTERY CHARGING CABLE US	1
K11	37		SOLUTION OUTLET COVER	1
K11	38		GASKET	1
K12	39		SCREW M4.0X12MM	2
K12	40		BRACKET CHARGER PLUG	1
K13	41		HARNESS 24V INPUT	1
K13	42		SCREW ST3X16MM	2
K18	43	VS15003	VACUUM MOTOR 24V 350W	1
K14	44		INTLET AIR FILTER GRIM	1
K14	45		INTLET AIR GASKET	1
K14	46		BOTTOM ACOUSTIC INSULATION PIPE	1
K14	47		MIDDLE GASKET	1
K14	48		UP ACOUSTIC INSULATION PIPE	1
K14	49		TOP GASKET MOTOR	1
K14	50		UP INLET AIR FILTER FRIM	1
K14	51		EVA GASKET	1
K15	52		VACUUM MOTOR COVER	1
	53	VS15240	DRAIN HOSE HORN GASKET	1
K16	54		SCREW M4.0X12MM	2
K16	55		BRACKET SUCTION HOSE	1
K16	56		CONNECTOR SOCKET SUCTION HOSE	1

\* Item 36a/36b only for EU/UK

\* Item 36c only for US

## PARTS LIST

### SOLUTION TANK ASSEMBLY

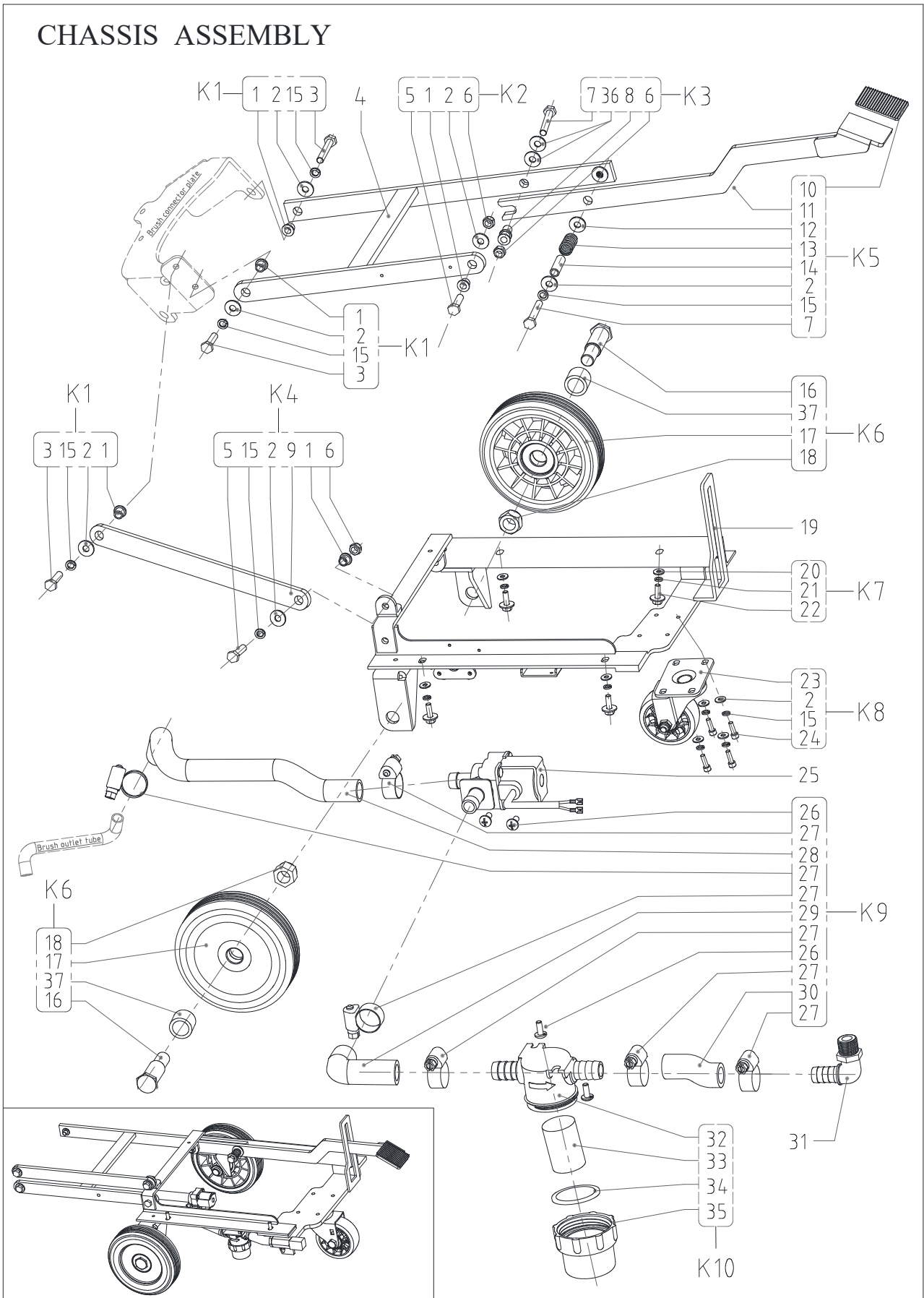
Kit	Item	Part No.	Description	Qty
K17	57	VS15271	CLAMP21-38MM,SUS304	1
K17	58		SUCTION HOSE	1
	59	VS15248	CABLE COVER PLATE	1
	60	VS15009	BATTERY CONNECTIONS	1
	61		BATTERIES	2
K6/K18	62		EMIFIL	2
	63a	55942483	DECAL NILFISK SC370 43B EU	1
	63b	55942501	DECAL ADVANCE SC370 17B US	1
	K1	55942447	SOLUTION COVER KIT	1
	K2	VS15402	INLET PIPE FRAME KIT	1
	K3	55942433	HOSE FRESH WATER LEVEL KIT	1
	K4	VS15404	MOUNTING BASE OF CHARGER KIT	1
	K5	VS15405	CONTROLLER MAIN MACHINE KIT	1
	K6	VS15406	MAIN CONNECTION CABLE KIT	1
	K7	VS15407	CHARGE REAR COVER KIT	1
	K8	VS10126	CHARGER SOCKET KIT	1
	K9	VS15408	CABLE SUPPORT KIT	1
	K10*	VS15409	BACK ACCESSORY BOX KIT	1
	K11	VF89110A	SOLUTION OUTLET COVER KIT	1
	K12	VS15410	BRACKET CHARGER PLUG KIT	1
	K13	VS15411	HARNESS 24V INPUT KIT	1
	K14	VS15412	GASKET VACUUM MOTOR KIT	1
	K15	VS15413	VACUUM MOTOR COVER KIT	1
	K16	VS15414	BRACKET SUCTION HOSE KIT	1
	K17	VS15415	SUCTION HOSE KIT	1
	K18	VS15381	VACUUM MOTOR 24V KIT	1

\* Item 63a only for EU

\* Item 63b only for US

# PARTS LIST

## CHASSIS ASSEMBLY



# PARTS LIST

## CHASSIS ASSEMBLY

Kit	Item	Part No.	Description	Qty
K1/K2/K4	1		BUSHING	5
K1/K2/ K4/K5/K8	2		WASHER	10
K1	3		SCREW M8X25MM	3
	4	VS15101	BRUSH LIFTING SUPPORT	1
K2/K4	5		SCREW M8X30MM	2
K2/K3/K4	6		NUT M8	3
K3/K5	7		SCREW M8X50MM	2
K3	8		STEPS BUSHING	1
K4	9	VS15102	FRONT PEDAL BRUSH LIFTING	1
K5	10	VS10613	PEDAL LEVER GASKET	1
K5	11	VS15103	BACK PEDAL BRUSH AND SQUEEGEE LIFTING	1
K5	12		WASHER Ø12X Ø24X2MM	1
K5	13		RESET SPRING	1
K5	14		BUSHING	1
K1/K4K5/K8	15		WASHER DIAMETER 8MM	9
K6	16		WHEEL SHAFT	2
K6	17	VS15430	WHEEL 6 INCH	2
K6	18		NUT M16	2
	19	VS15100	CHASSIS	1
K7	20		SPRING WASHER	4
K7	21		WASHER DIAMETER 6MM	4
K7	22		SCREW M6X20MM	4
K8	23	VS15327	3.5 INCH CASTER	1
K8	24		SCREW M8x20MM	4
	25	VS15021	24V DC SOLENOID VALVE	1
K9	26		SCREW M4X10MM	4
K9	27	VV10114	CLAMP 3/8"	6
K9	28		HOSE Ø 20MM L400mm	1
K9	29		HOSE WITH SPRING L130mm	1
K9	30		OULET HOSE Ø20MM	1
	31	VF81403P	ELBOW 90 PLASTIC	1
K10	32		FILTER BASE	1

## PARTS LIST

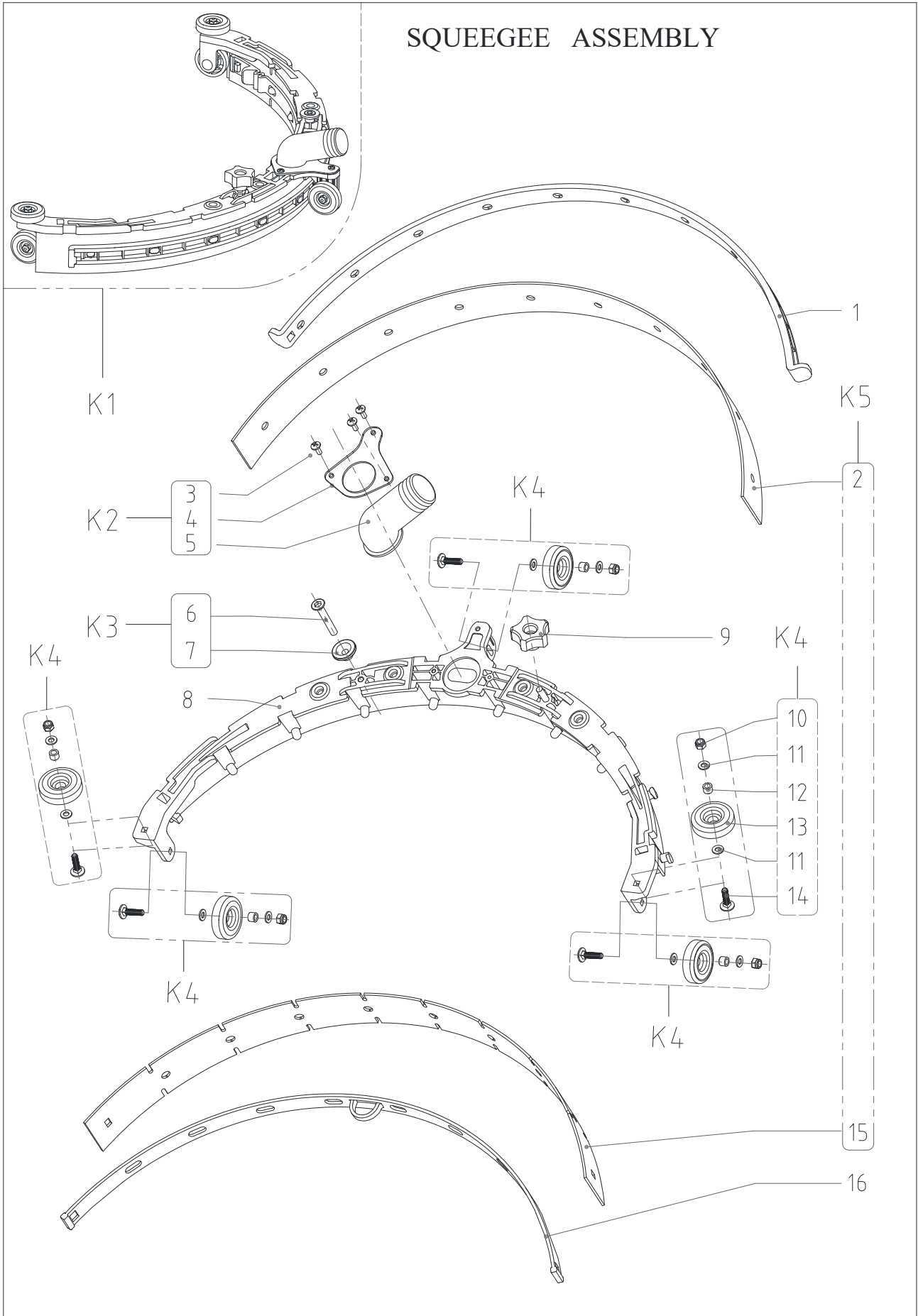
---

### CHASSIS ASSEMBLY

Kit	Item	Part No.	Description	Qty
K10	33	VF90608	FILTER NET	1
K10	34	VF90607	O-RING	1
K10	35	VF90603	FILTER COVER	1
K2	36		PA WASHER	2
K6	37		BUSHING1	2
	K1	VS15422	SCREW KIT 1	3
	K2	VS15423	SCREW KIT 2	1
	K3	VS15424	FORNT PEDAL BRUSH LIFTING SCREW KIT	1
	K4	VS15425	SCREW KIT 3	1
	K5	VS15426	BACK PEDAL BRUSH LIFTING KIT	1
	K6	VS15427	WHEEL 6 INCH KIT	2
	K7	VS15428	SCREW KIT 4	1
	K8	VS15429	3.5 INCH CASTER KIT	1
	K9	VS15433	SOLUTION HOSE KIT	1
	K10	VF90621	FILTER KIT	1



# PARTS LIST



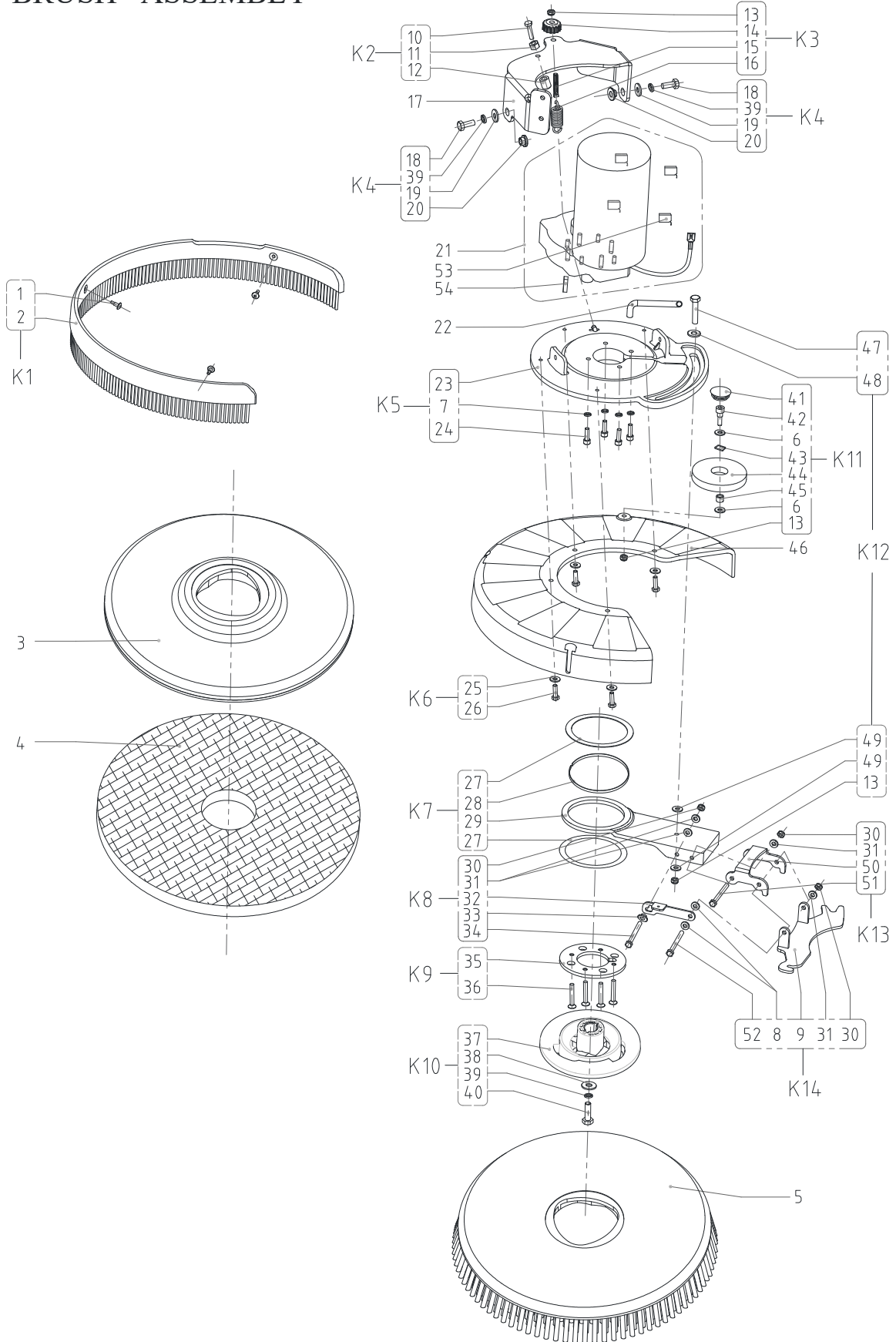
## PARTS LIST

### SQUEEGEE ASSEMBLY

Kit	Item	Part No.	Description	Qty
	1	55942474	STRAP REAR	1
K5a	2a		BLADE SQUEEGEE REAR NR	1
K5b	2b*		BLADE SQUEEGEE REAR PU	1
K2	3		SCREW TM4X12MM	3
K2	4		RETAINER	1
K2	5	VS15160	BEND CONNECTOR	1
K3	6		SCREW 6X25MM	1
K3	7		STUD	1
K3	8	55942484	SQUEEGEE TOOL	1
	9	VS15159	SQUEEGEE KNOB	1
K4	10		NUT M5	5
K4	11		WASHER OD14.7XID5.5XT1.2MM	10
K4	12		SPACER	5
K4	13	VS15158	SQUEEGEE WHEEL	5
K4	14		SCREW M5X20MM	5
K5a	15a		BLADE SQUEEGEE FRONT NR	1
K5b	15b*		BLADE SQUEEGEE FRONT PU	1
	16	55942479	STRAP FRONT	1
	K1	55942502	SQUEEGEE ASSEMBLY	1
	K2	55942504	BEND CONNECTOR KIT	1
	K3	55942470	STUD KIT	1
	K4	VS15436	SQUEEGEE WHEEL KIT	5
	K5a	55942487	BLADE SQUEEGEE NR KIT	1
	K5b*	55942488	BLADE SQUEEGEE PU KIT	1

# PARTS LIST

## BRUSH ASSEMBLY



# PARTS LIST

## BRUSH ASSEMBLY

Kit	Item	Part No.	Description	Qty
K1	1		SCREW M4	3
K1	2		SKIRT DECK	1
	3	9100000144	PAD HOLDER FLAT 17" 432MM	1
	4*		PAD 17 INCH	1
	5	9097469000	BRUSH DISC 430MM 17 PROLENE BLUE	1
	5*	9097581000	BRUSH DISC 430MM 17 NATURAL FIBER	1
	5*	9097580000	BRUSH DISC 430MM 17 PROLITE BLUE	1
	5*	9097578000	BRUSH DISC 430MM 17 GRIT 240 GREY	1
	5*	9097579000	BRUSH DISC 430MM 17 GRIT 180 GREY	1
K11	6		WASHER ID6XOD18XT1.5MM	2
K5	7		WASHER DIAMETER 6MM	4
K14	8		WASHER ID6XOD13X2MM	2
K14	9	VS15106	SQUEEGEE BRACKET	1
K2	10		SCREW M8X40MM	1
K2	11		NUT M8	1
K2	12	VF80241	PLASTIC REGULATING FULCRUM	1
K3/K11/ K12	13		NUT M6	3
K3	14	VP11007	STRAIGHT MOVING ADJUSTING KNOB	1
K3	15		SCREW	1
K3	16		SPRING	1
	17	VS15104	BRACKET BRUSH MOTOR	1
K4	18		SCREW M8X25MM	2
K4	19		WASHER ID8XOD20XT2MM	2
K4	20		SPACER	2
	21	VS15032	BRUSH MOTOR 24V DC ASSEMBLY	1
	22	VS15111	INLET TUBE	1
K5	23		MOTOR FIXING PLATE	1
K5	24		SCREW M6X20MM	4
K6	25		WASHER ID6XOD15XT1.5MM	4
K6	26		SCREW M6X20MM	4
K7	27	VS15154	WEAR RESISTANT WASHER	2
K7	28	VS15329	ROTATION CIRCLE	1
K7	29	VS15155	SQUEEGEE ROTATION ARM	1

# PARTS LIST

## BRUSH ASSEMBLY

Kit	Item	Part No.	Description	Qty
K8/K13/K14	30		NUT M5	3
K8/K13/K14	31		WASHER ID5XOD10XT1.0MM	4
K8	32	VS15112	LIFTING HANDLE FOR SQUEEGEE	1
K8	33		SPACER	1
K8	34		SCREW Ø6XM5X104MM	1
K9	35		SQUEEGEE TRAY	1
K9	36		SCREW M6x16MM	4
K10	37	55942444	HUB	1
K10	38		WASHER ID8.4XOD28XT2MM	1
K4/K10	39		WASHER DIAMETER 8MM	3
K10	40		SCREW M8x16MM	1
K11	41	VF85128	CAP. BLACK	1
K11	42		SCREW M6X25MM	1
K11	43		LOCKWASHER	1
K11	44		ROLLER BUMPER	1
K11	45		SPACER	1
	46	VS15156	BRUSH DECK	1
K12	47		SCREW M6	1
K12	48		WASHER	1
K12	49		WASHER ID6XOD22X1.5MM	2
K13	50	VS15105	SQUEEGEE CONNECTION FRAME	1
K13	51		SCREW Ø6XM5X96.5MM	1
K14	52		SCREW Ø6XM5X114MM	1
	53	VF89116	CARBON BRUSH	4
	54	VR14003	KEY	1
	K1	VS15439	SKIRT BRISTLE KIT	1
	K2	VS15442	REGULATING FULCRUM KIT	1
	K3	VS15443	DECK ADJUSTING KNOB KIT	1
	K4	VS15444	SCREW KIT1	2
	K5	VS15445	MOTOR FIXING PLATE KIT	1
	K6	VS15446	SCREW KIT2	1
	K7	VS15447	SQUEEGEE ROTATION ARM KIT	1
	K8	VS15448	LIFTING HANDLE FOR SQUEEGEE KIT	1
	K9	VS15449	SQUEEGEE TRAY KIT	1

## PARTS LIST

---

### BRUSH ASSEMBLY

<b>Kit</b>	<b>Item</b>	<b>Part No.</b>	<b>Description</b>	<b>Qty</b>
	K10	55942471	HUB KIT	1
	K11	VS15455	ROLLER BUMPER KIT	1
	K12	VS15451	SCREW KIT3	1
	K13	VS15452	SQUEEGEE CONNECTION FRAME KIT	1
	K14	VS15453	SQUEEGEE BRACKET KIT	1

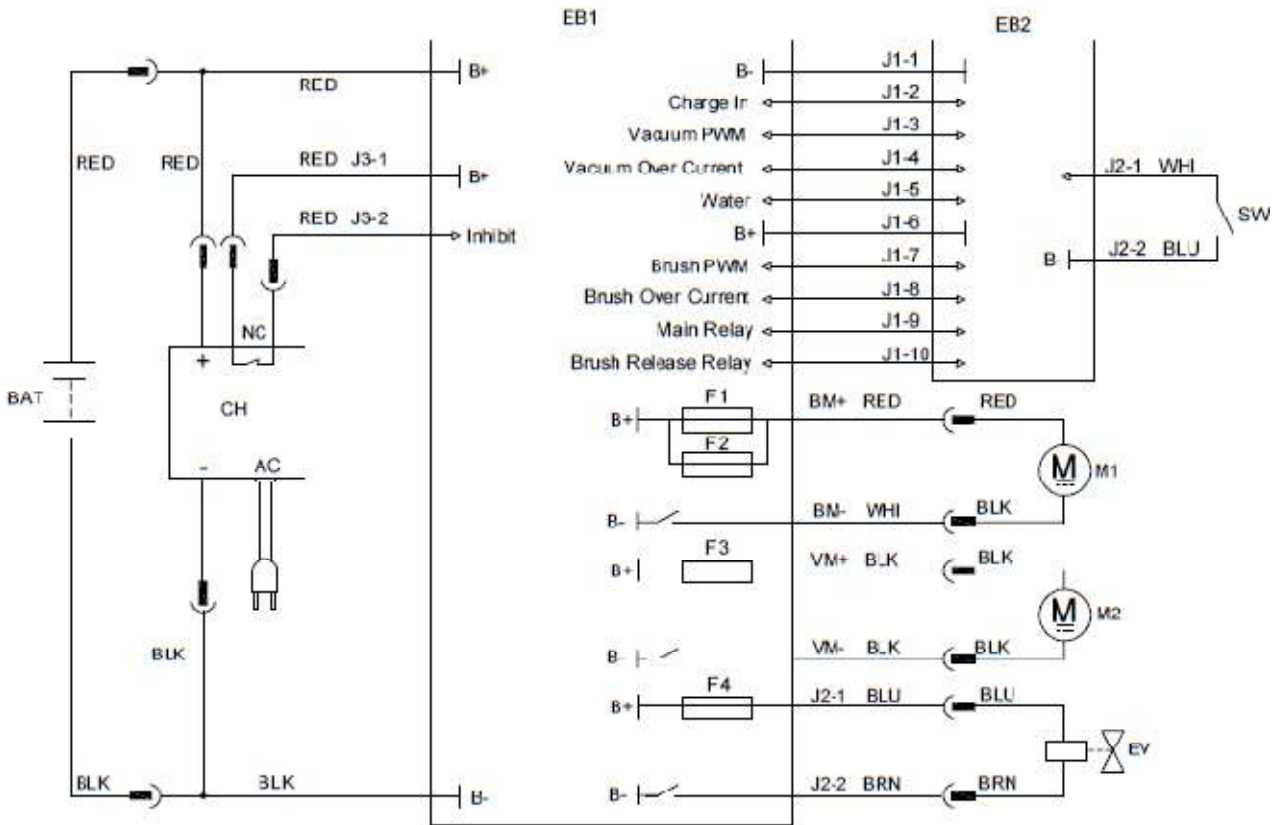
## PARTS LIST

### WEAR AND TEAR PARTS

Kit	Item	Part No.	Description	Qty
	1	55942448	LEVER BRUSH SWITCH KIT	1
	2	VV81063	MICRO SWITCH KIT	1
	3	VS15133	ADJUST LEVER HANDLE	1
	4	VS15192	GEAR	1
	5	VS15025	DASH BOARD 24V AGM	1
	6	VS15386	CONNECTION ROD KIT	1
	7	55942443	GASKET OF RECOVERY TANK LID	1
	8	VS15323	VACUUM GRID WITH AUTOMATIC SHUT-OFF FLOAT	1
	9	VS15400	DRAIN HOSE KIT	1
	10	VS15026	CONTROLLER MAIN MACHINE	1
	11	VS15018	CHARGER 10A	1
	12a	VF89725	BATTERY CHARGING CABLE EU	1
	12b	VF89726	BATTERY CHARGING CABLE UK	1
	12c	VF89724	BATTERY CHARGING CABLE US	1
	13	VS15003	VACUUM MOTOR 24V 350W	1
	14	55942433	HOSE FRESH WATER LEVEL KIT	1
	15	VF89110A	SOLUTION OUTLET COVER KIT	1
	16	VS15415	SUCTION HOSE KIT	1
	17	VS15430	WHEEL 6 INCH	1
	18	VS15327	3.5 INCH CASTER	1
	19	VS15021	24V DC SOLENOID VALVE	1
	20	VF90621	FILTER KIT	1
	21	55942487	BLADE SQUEEGEE NR KIT	1
	22	VS15160	BEND CONNECTOR	1
	23	VS15159	SQUEEGEE KNOB	1
	24	VS15436	SQUEEGEE WHEEL KIT	5
	25	55942479	STRAP FRONT	1
	26	55942474	STRAP REAR	1
	27	55942444	HUB	1
	28	VS15032	BRUSH MOTOR 24V DC ASSEMBLY	1
	29	VF89116	CARBON BRUSH	4
	30	VR14003	KEY	1

# PARTS LIST

## WIRING DIAGRAM



## WIRING DIAGRAM

Kit	Item	Part No.	Description	Qty
	BAT	VF90223	BATTERIES 12V 85AH/20H	2
	CH	VS15018	CHARGER 100-240V 50/60HZ 24V 10A AGM	1
	EB1	VS15026	CONTROLLER MAIN MACHINE	1
	EB2	VS15025	DASH BOARD 24V AGM	1
	M1	VS15032	BRUSH MOTOR 24VDC 400W	1
	M2	VS15003	MOTOR VACUUM 24V 300W	1
	EV	VS15021	SOLENOID VALVE 24V DC	1
	SW	VV81432	MICRO SWITCH	1



**Nilfisk A/S**  
Kornmarksvej 1 DK-2605 Broendby Denmark  
Tel:+45 43 23 81 00 Fax:+45 43 43 77 00  
[www.nilfisk.com](http://www.nilfisk.com)

**Nilfisk Inc.**  
9435 Winnetka Avenue North  
Minneapolis, MN 55445  
[www.advance-us.com](http://www.advance-us.com)

**Nilfisk Canada**  
Mississauga, ON, Canada  
800.668.8400

