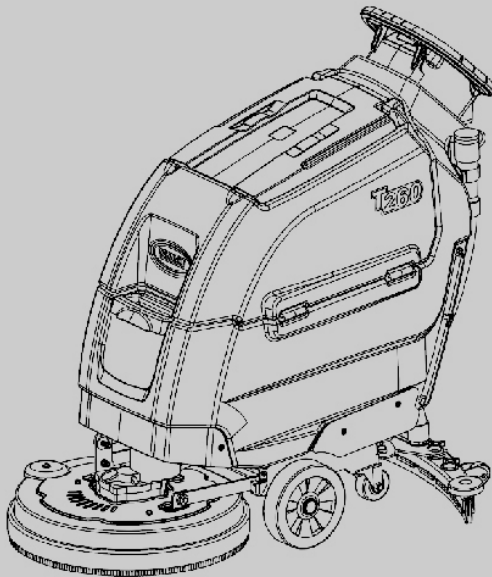




# T260

Walk-behind Floor Scrubber

## Parts Manual



Model Part No.:  
SCN800100E11- SCRUBBER [ T260 70CM, NA]

TennantTrue® Parts

## North America



To view, print or download  
the parts manual, visit:

[www.tennantco.com/manuals](http://www.tennantco.com/manuals)

9022826  
Rev. 00 (10-2022)

**STANDARD PARTS**

---

WEAR PARTS ..... 2  
SERVICE PARTS ..... 3  
BRUSHES / PAD DRIVER AND PADS, 50 CM / 20 IN  
DISK ..... 5  
MAIN FRAME GROUP ..... 6  
ELECTRICAL GROUP ..... 8  
CONTROL PANEL GROUP ..... 10  
WHEEL ASSEMBLY ..... 12  
MOTOR ASSEMBLY ..... 14  
SOLUTION TANK GROUP ..... 16  
SCRUB HEAD GROUP ..... 18  
HOSE GROUP ..... 20  
RECOVERY TANK GROUP ..... 22  
SQUEEGEE ADJUSTMENT GROUP ..... 24  
SQUEEGEE LIFT GROUP ..... 26  
SQUEEGEE ASSEMBLY, 50 CM / 20 IN ..... 28

# RECOMMENDED MAINTENANCE ITEMS

## WEAR PARTS

Ref.	Part No.	Mfr. Date	Description	Qty.
▽	9015731	( )	Blade Kit, 500mm, Linatex (Standard)	1
▲	1203953	( )	Blade, Sqge, Rear, 836l, Linatex[500mm] (Standard)	1
▲	1203954	( )	Blade, Sqge, Front, 788l, Linatex[500mm] (Standard)	1
▽	9015732	( )	Blade Kit, 500mm, Urethane (Optional)	1
▲	1215609	( )	Blade, Sqge, Rear, 836l, Urethane[500mm] (Optional)	1
▲	1215611	( )	Blade, Sqge, Front, 788l, Urethane[500mm] (Optional)	1
▽	9015730	( )	Blade Kit, 500mm, Gum (Optional)	1
▲	1215610	( )	Blade, Sqge, Rear, 836l, Gum[500mm] (Optional)	1
▲	1215612	( )	Blade, Sqge, Front, 788l, Gum[500mm] (Optional)	1
	CN5006244	( )	Brush Assy, Disc, Scb, 50cm	1
	CN5006245	( )	Driver Assy, Pad, 50cm, 3 Lug	1
	1243338	( )	Pad, Polish, 20.0d, White [1pick=1ctn]	1
	1243339	( )	Pad, Buff, 20.0d, Red [1pick=1ctn]	1
	1243340	( )	Pad, Scb, 20.0d, Blu [1pick=1ctn]	1
	1243566	( )	Pad, Stripping, 20.0d, Brn [1pick=1ctn]	1
	1243661	( )	Pad, Strip, 20.0d Blk[Hi Prod1pick=1ctn]	1
	1243670	( )	Pad, Surf Prep, 20.0d Maroon[1pick=1ctn]	1

# RECOMMENDED MAINTENANCE ITEMS

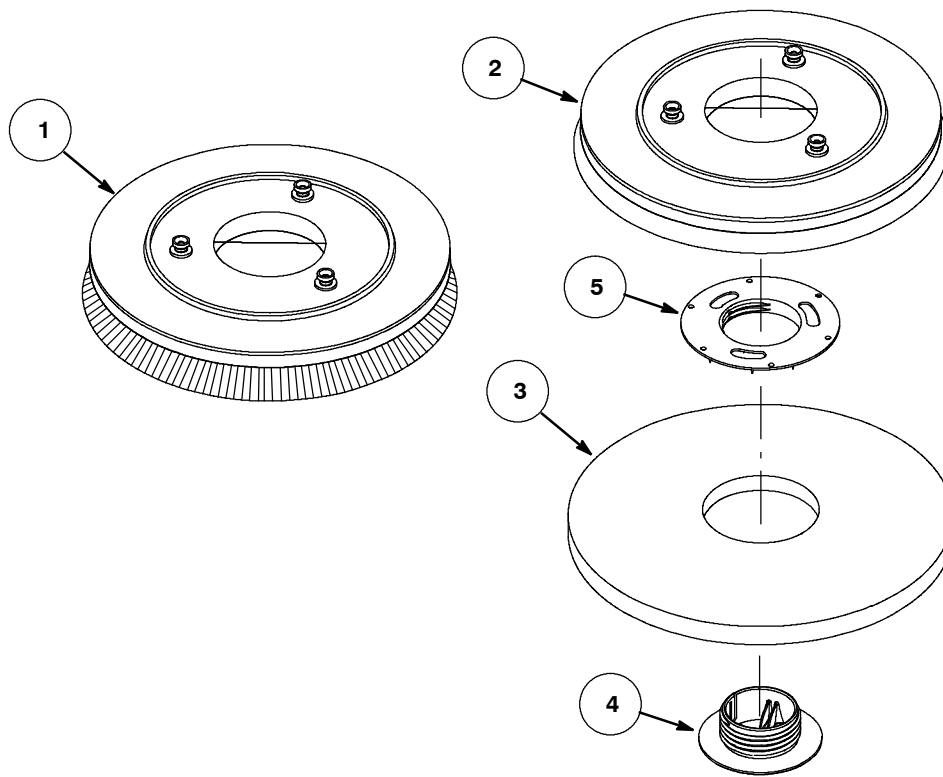
## SERVICE PARTS

Ref.	Part No.	Mfr. Date	Description	Qty.
▽	CN5002458	( )	Fan, Vacuum	1
▲	CN5001828	( )	Brush, Motor	1
▽	CN5005651	( )	Motor, Ele	1
▲	CN5001828	( )	Brush, Motor	1
	1010560	( )	Wheel, Bmpr, 80d X 25w, Non-Marking	1
	CN5001643	( )	Fuse, 5a	1
	CN5001647	( )	Fuse, 25a	1
	CN5001644	( )	Fuse, 30a	1
	CN5006221	( )	Cap, Hub, Dust, 28.5mmd 10.8mml	1
	CN5006220	( )	Cap, Tank, Soltn	1
	CN5002145	( )	Float, Level, Red, 6mm	1
	CN5004320	( )	Hose, Silicone, 13mmid X 19mmod	1
	CN5004321	( )	Hose, Silicone, 15mmid X 21mmod	1
	CN5002865	( )	Hose, Silicone, 8mmid X 12mmod	1
	CN5002836	( )	Hose, Sqge, Rear, 38mm Dia	1
	CN5006234	( )	Tray, Debris, Tank, Soltn	1
	CN5005711	( )	Tray, Debris, Tank, Recvy	1
	CN5004741	( )	Filter, Mesh	1
	CN4000673	( )	Seal, Washer, 42.0mmd 22.0mb 11mml	1
	CN5003686	( )	Gasket	1
	CN5006246	( )	Seal, Strip, 420mm X 18mm X 7mm	1
	CN5006241	( )	Cover, Skirt, Brush	1
	CN5004736	( )	Valve, Ball	1
	CN4000699	( )	Caster, Swivel	1
	630477	( )	Wheel, Pyu, 02.0d 0.38w, Gray	1
	CN5006078	( )	Shaft Wldt, Axle	1
	CN5002310	( )	Wheel, 200.0mmd 50.0mmw 42.0mmb	1
	1251238	( )	Battery, Agm, 12vdc 0135ah, Cn	1
	CN5006264	( )	Charger, 24v, 15ah	1
	1069835	( )	Cord, Power, Chrgr, 120vac [S8- Us/Jp]	1
	CN5003089	( )	Sensor, Level, Liq	1
	CN5001636	( )	Fuse, 100a	1
	CN5002833	( )	Hose Assy, Drain, 38mmd 990mml	1
	CN5005723	( )	Cover, Debris, Tank, Recvy	1

**RECOMMENDED MAINTENANCE ITEMS**

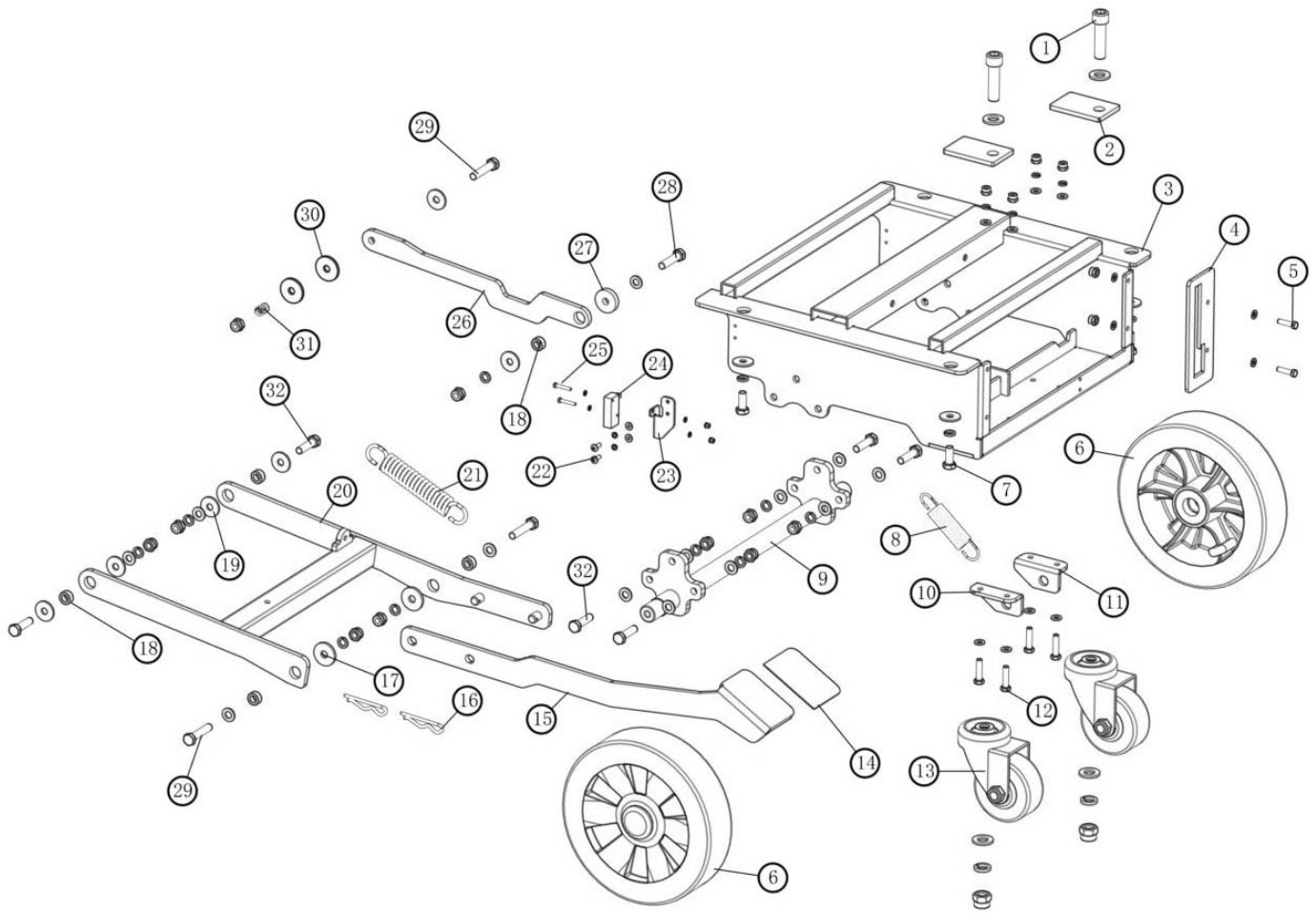
---

BRUSHES / PAD DRIVER AND PADS, 50 CM / 20 IN DISK



Ref.	Part No.	Mfr. Date	Description	Qty.
1	CN5006244	( )	Brush Assy, Disc, Scb, 50cm	1
2	CN5006245	( )	Driver Assy, Pad, 50cm, 3 Lug	1
3	1243338	( )	Pad, Polish, 20.0d, White [1pick=1ctn]	1
3	1243339	( )	Pad, Buff, 20.0d, Red [1pick=1ctn]	1
3	1243340	( )	Pad, Scb, 20.0d, Blu [1pick=1ctn]	1
3	1243566	( )	Pad, Stripping, 20.0d, Brn [1pick=1ctn]	1
3	1243661	( )	Pad, Strip, 20.0d Blk[Hi Prod1pick=1ctn]	1
3	1243670	( )	Pad, Surf Prep, 20.0d Maroon[1pick=1ctn]	1
4	MPVR04088	( )	Lock, Center, Pad Driver	1
5	SPPV00489	( )	Flange, Center Lock, Pad HolderVac	1

MAIN FRAME GROUP

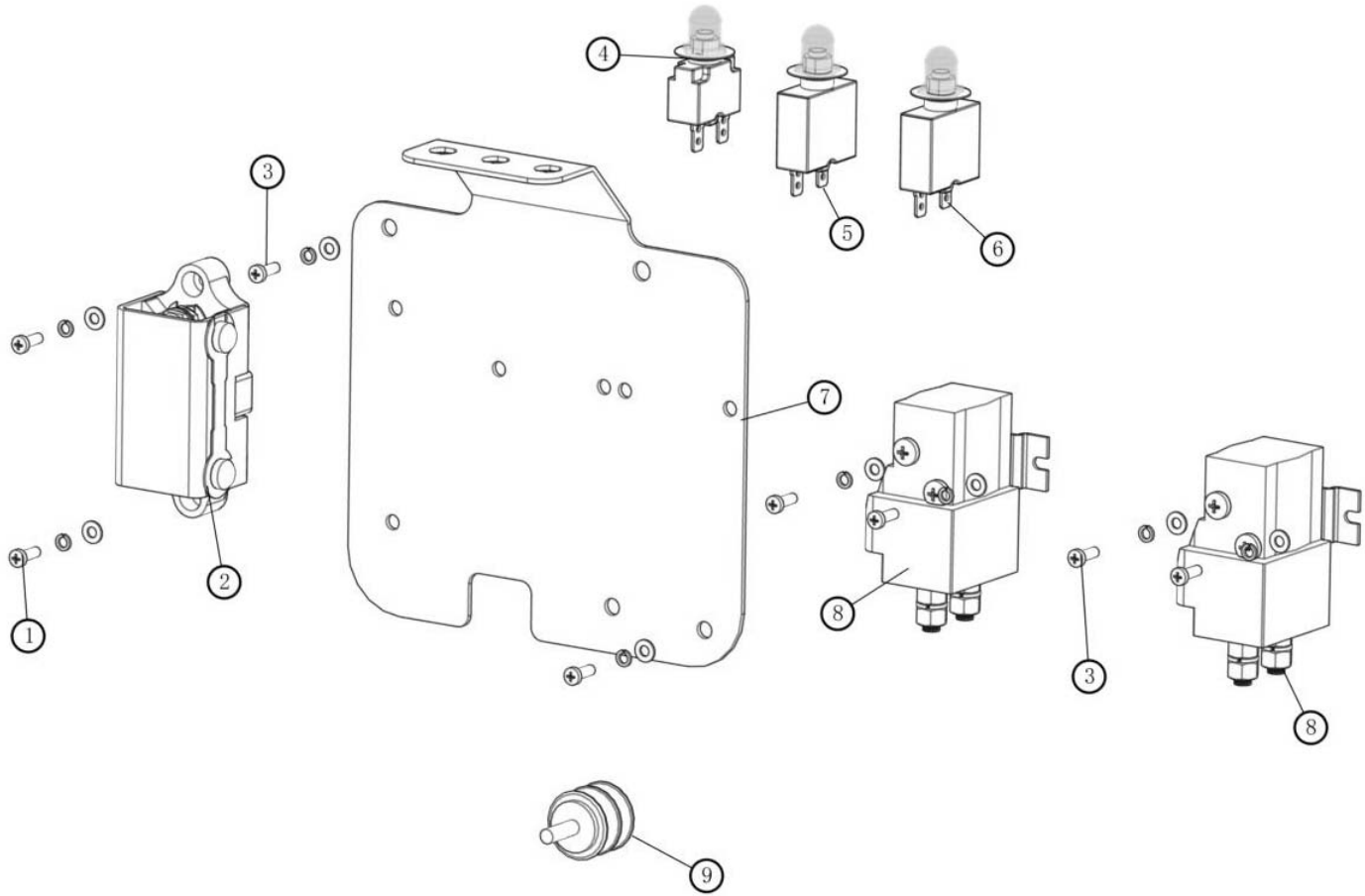


## MAIN FRAME GROUP

Ref.	Part No.	Mfr. Date	Description	Qty.
1	CN4000228	( )	Screw, Soc, M12 X 45, 12.9	2
2	CN5006125	( )	Plate, Castor	2
3	CN5006077	( )	Frame Wldt	1
4	CN5006085	( )	Plate, Foot, Limiter	1
5	CN4000062	( )	Screw, Soc, M5 X 20	2
6	CN5002310	( )	Wheel, 200.0mmd 50.0mmw 42.0mmb	2
7	12273	( )	Screw, Hex, M8 X 1.25 X 20, NI, Ss	4
8	CN5006067	( )	Spring, Extn, 20.0mmd 2.0mmwir 98.0mml	1
9	CN5006078	( )	Shaft Wldt, Axle	1
10	CN5006083	( )	Bracket, Lh	1
11	CN5006084	( )	Bracket, Rh	1
12	1016005	( )	Screw, Hex, M6 X 1.00 X 25, NI, FI, Ss	4
12	08712	( )	Nut, Hex, Lock, M6 X 1.00, NI, Ss	4
13	CN4000699	( )	Caster, Swivel	2
14	CN4000766	( )	Pad, Brush Pedal, Non- Slip	1
15	CN5006236	( )	Plate, Pedal, Arm	1
16	CN4000904	( )	Pin, Cotter, 2x40	2
17	CN4000375	( )	Washer, M8	2
18	CN5005669	( )	Bushing, Brs, 8.2mmb 15.0mmd 7.0mml	5
19	CN4000374	( )	Washer, M8	5
20	CN5006235	( )	Arm Wldt, Lift	1
21	CN5006042	( )	Spring, Extn, 23.5mmd 3.5mmwir 146.0mml	1
22	49697	( )	Screw, Pan, Phl, M4 X 0.70 X 10, Ss	2
22	41579	( )	Washer, Flat, 08, Ss	2
23	CN5006089	( )	Bracket, Switch, Mtg	1
24	CN5006133	( )	Switch, Micro	1
25	06922	( )	Screw, Pan, Phl, M3 X 0.50 X 20, 4.8	2
25	579211	( )	Nut, Hex, Lock, M3 X 0.50, NI, Ss	2
26	CN5006238	( )	Plate, Brush, Rh	1
27	CN5006086	( )	Washer, 28.0mmd 8.2mmb 6mmt	1
28	09023	( )	Screw, Hex, M8 X 1.25 X 35, FI, Ss	1
28	08713	( )	Nut, Hex, Lock, M8 X 1.25, NI, Ss	1
29	74440	( )	Screw, Hex, M8 X 1.25 X 40, NI, Ss	3
29	08713	( )	Nut, Hex, Lock, M8 X 1.25, NI, Ss	3
30	CN5005713	( )	Washer, 30.0mmd 8.2mmb 3mmt, Ptfе	2
31	CN5005977	( )	Spring, Cmpr, 12.0mmd 1.4mmwir 14.0mml	1
32	76570	( )	Screw, Hex, M8 X 1.25 X 30, 8.8	6
32	08713	( )	Nut, Hex, Lock, M8 X 1.25, NI, Ss	6



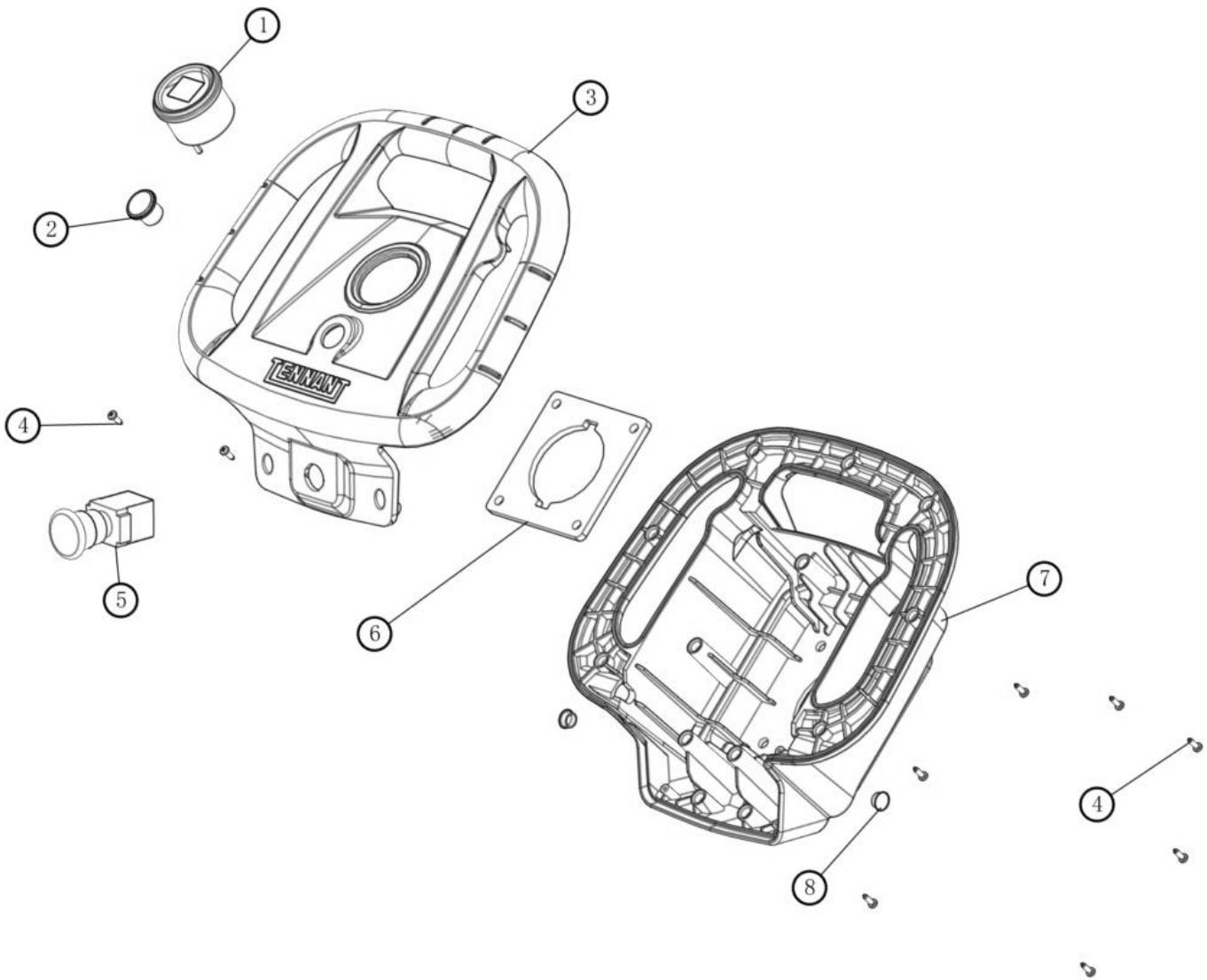
ELECTRICAL GROUP



## ELECTRICAL GROUP

Ref.	Part No.	Mfr. Date	Description	Qty.
1	CN4000194	( )	Screw, Pan, Phl, M4 X 14	2
1	41579	( )	Washer, Flat, 08, Ss	2
2	CN5001636	( )	Fuse, 100a	1
3	579237	( )	Screw, Pan, Phl, M4 X 0.70 X 12, Ss	6
3	41579	( )	Washer, Flat, 08, Ss	6
4	CN5001643	( )	Fuse, 5a	1
5	CN5001647	( )	Fuse, 25a	1
6	CN5001644	( )	Fuse, 30a	1
7	CN5006242	( )	Bracket, Ele, Mtg	1
8	CN5001703	( )	Contactor, Sw60- 40p	2
9	CN5001698	( )	Knob, Head	1

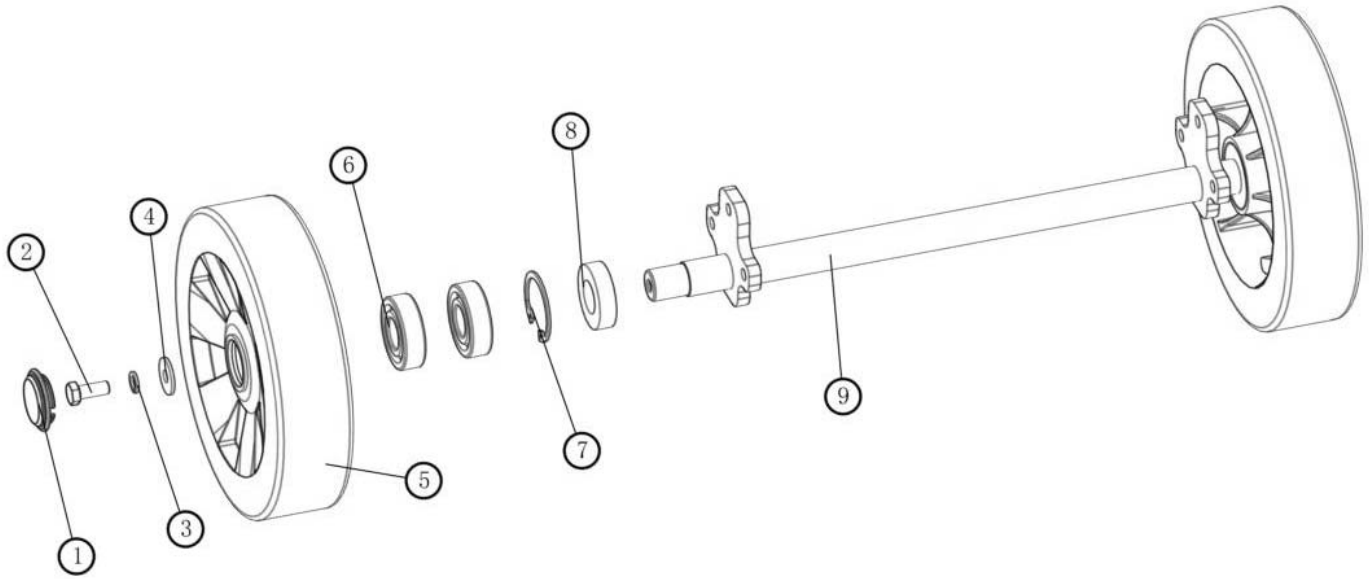
CONTROL PANEL GROUP



## CONTROL PANEL GROUP

Ref.	Part No.	Mfr. Date	Description	Qty.
1	CN5006049	( )	Gauge, Battery	1
2	CN5006233	( )	Switch, Light, Green	1
3	CN5006222	( )	Housing, Handle, Cntrl, Top	1
4	CN4001130	( )	Screw, Pan, Phl, M3.5 X 12, Fmg	9
5	CN5001546	( )	Switch, Safety, Shutoff, W/ Key	1
6	CN5005689	( )	Plate, Handle	1
7	CN5006223	( )	Housing, Handle, Cntrl, Bottom	1
8	CN5006111	( )	Plug, Hole, Rnd, 13mm	2

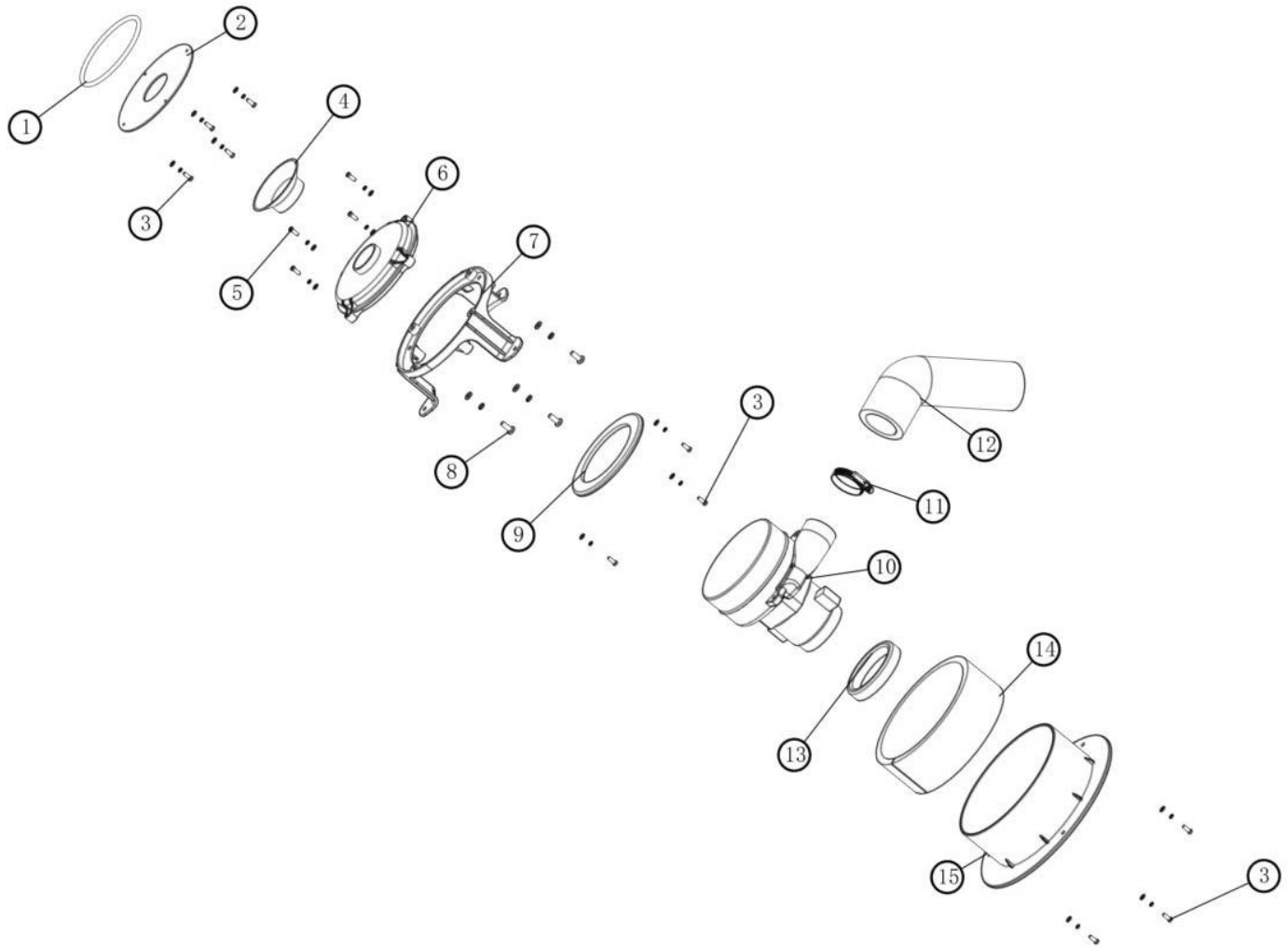
WHEEL ASSEMBLY



## WHEEL ASSEMBLY

Ref.	Part No.	Mfr. Date	Description	Qty.
1	CN5006221	( )	Cap, Hub, Dust, 28.5mmd 10.8mml	2
2	12273	( )	Screw, Hex, M8 X 1.25 X 20, NI, Ss	2
3	CN4000406	( )	Washer, M8	2
4	CN4000374	( )	Washer, M8	2
5	CN5002310	( )	Wheel, 200.0mmd 50.0mmw 42.0mmb	2
6	CN4000522	( )	Bearing, Ball	4
7	CN4000499	( )	Ring, Retaining, Int, 42mmd	2
8	CN4000673	( )	Seal, Washer, 42.0mmd 22.0mb 11mml	2
9	CN5006078	( )	Shaft Wldt, Axle	1

MOTOR ASSEMBLY



## MOTOR ASSEMBLY

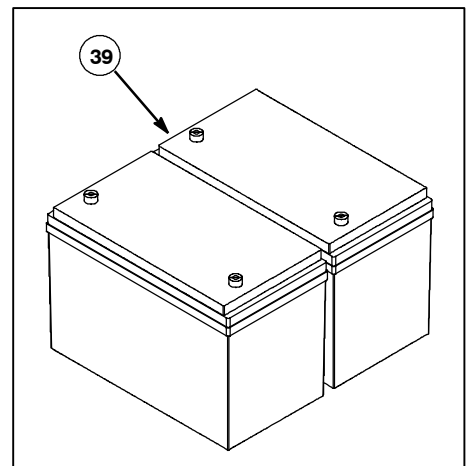
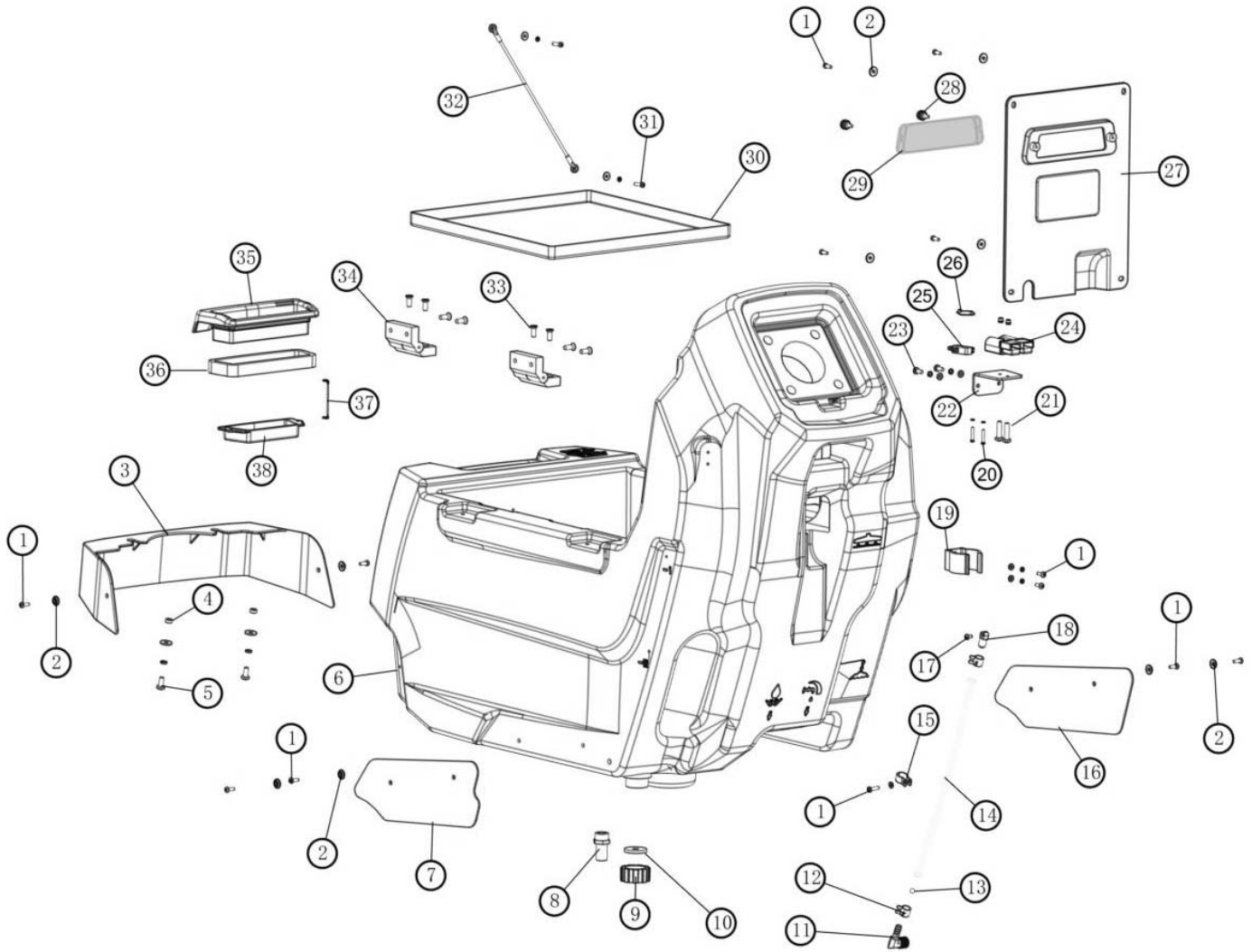
Ref.	Part No.	Mfr. Date	Description	Qty.	
1	CN4000660	( )	Seal, Org, 5.3mm X 115mm Id	1	
2	CN5000511	( )	Plate, Motor	1	
3	579237	( )	Screw, Pan, Phl, M4 X 0.70 X 12, Ss	10	
3	41579	( )	Washer, Flat, 08, Ss	10	
4	CN5002337	( )	Fitting, Motor, Mount	1	
5	06929	( )	Screw, Pan, Phl, M4 X 0.70 X 25, 4.8	4	
5	41579	( )	Washer, Flat, 08, Ss	4	
6	CN5002144	( )	Cover, Motor, Vacfan	1	
7	CN5006115	( )	Mount, Vacfan	1	
8	CN4001030	( )	Screw, Pan, Phl, M6 X 20	3	
9	CN5002338	( )	Gasket, 145.0mm Od 105.0mm Id 6.4mm T	1	
▽	10	CN5002458	( )	Fan, Vacuum	1
▲		CN5001828	( )	Brush, Motor	1
	11	CN4000009	( )	Clamp, Hose, Wormdrive, 33 - 57mm Id	1
	12	CN5003632	( )	Muffler, Exhaust, Vacfan	1
	13	CN5005973	( )	Dampener, Ring, 95.6od 77.0id 12.5t	1
	14	CN5006070	( )	Insulation, Acstc	1
	15	CN5006114	( )	Housing, Motor	1

▽ ASSEMBLY

▲ INCLUDED IN ASSEMBLY



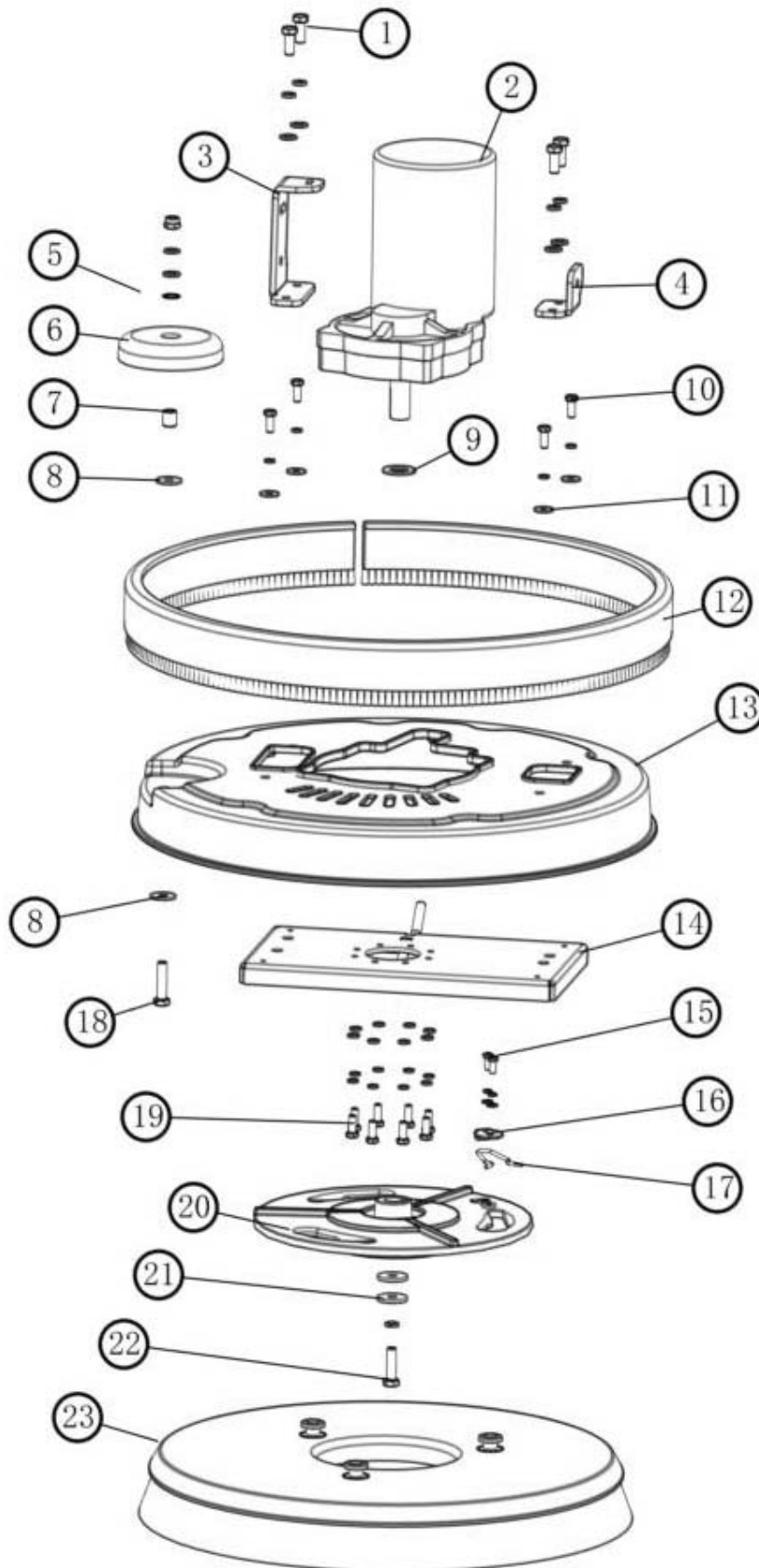
SOLUTION TANK GROUP



## SOLUTION TANK GROUP

Ref.	Part No.	Mfr. Date	Description	Qty.
1	579237	( )	Screw, Pan, Phl, M4 X 0.70 X 12, Ss	16
2	CN5005283	( )	Washer, Nyl, Blk, 14.0mmd 4.5mmb 3.0mmt	11
3	CN5006225	( )	Shroud, Frame, Front	1
4	CN5006097	( )	Bushing, 9mmod 6mmid 4mmt	2
5	CN4000231	( )	Screw, M6 X 14	2
6	CN5006213	( )	Tank, Soltn, Rm- Tl	1
7	CN5006227	( )	Plate, Cover, Tank, Soltn, Lh	1
8	CN5001393	( )	Fitting	1
9	CN5001935	( )	Cap, Soltn, Tank	1
10	CN5002217	( )	Washer, Gasket	1
11	CN5001384	( )	Fitting, Brs, E90	1
12	CN4001008	( )	Clamp, Hose	2
13	CN5002145	( )	Float, Level, Red, 6mm	1
14	CN5002856	( )	Gm110 Transparent Tube, ?"8	1
15	CN4000020	( )	Clamp, Cable, 24.0mmd, 1hole	1
16	CN5006228	( )	Plate, Cover, Tank, Soltn, Rh	1
17	CN4000194	( )	Screw, Pan, Phl, M4 X 14	1
18	CN5002029	( )	Fitting	1
19	CN5001942	( )	Clip, Hose	1
20	06929	( )	Screw, Pan, Phl, M4 X 0.70 X 25, 4.8	2
21	CN4000112	( )	Screw, Pan, Phl, M4 X 25	2
21	33932	( )	Nut, Hex, Lock, M4 X 0.70, NI, Ss	2
22	CN5006100	( )	Bracket, Charging	1
23	09200	( )	Screw, Pan, Phl, M5 X 0.80 X 12, Ss	2
23	140011	( )	Washer, Flat, 0.21b 0.45d .03, Ss	2
24	CN5006059	( )	Cable, Charging	1
25	TN5100004	( )	Switch, Mircro	1
26	1013705	( )	Plate, Thread, Switch, M3 Nut, 96hr Pl	1
27	CN5006113	( )	Cover, Plt, Ele	1
28	CN4001106	( )	Screw, M4 X 10	2
29	CN5005734	( )	Cover, Wndw	1
30	CN5001940	( )	Tray, Battery	1
31	24265	( )	Screw, Pan, Phl, M4 X 0.70 X 16, Ss	2
32	CN4001158	( )	Cable, 320mml X 2.5mmd 6.5eye/6.5eye	1
33	16879	( )	Screw, Flt, Soc, M6 X 1.00 X 20, 10.9	8
34	CN4001141	( )	Hinge Assy	2
35	CN5006220	( )	Cap, Tank, Soltn	1
36	CN5006246	( )	Seal, Strip, 420mm X 18mm X 7mm	1
37	CN4000781	( )	Chain	2
37	CN4000048	( )	Screw, Phl	1
38	CN5006234	( )	Tray, Debris, Tank, Soltn	1
39	1251238	( )	Battery, Agm, 12vdc 0135ah, Cn	2
N/S	CN5006264	( )	Charger, 24v, 15ah	1
N/S	1069835	( )	Cord, Power, Chrgr, 120vac [S8- Us/Jp]	1
N/S	CN5003048	( )	R50b Harness 13	1
N/S	CN5006061	( )	R45 Wiring Harness 5	1

SCRUB HEAD GROUP



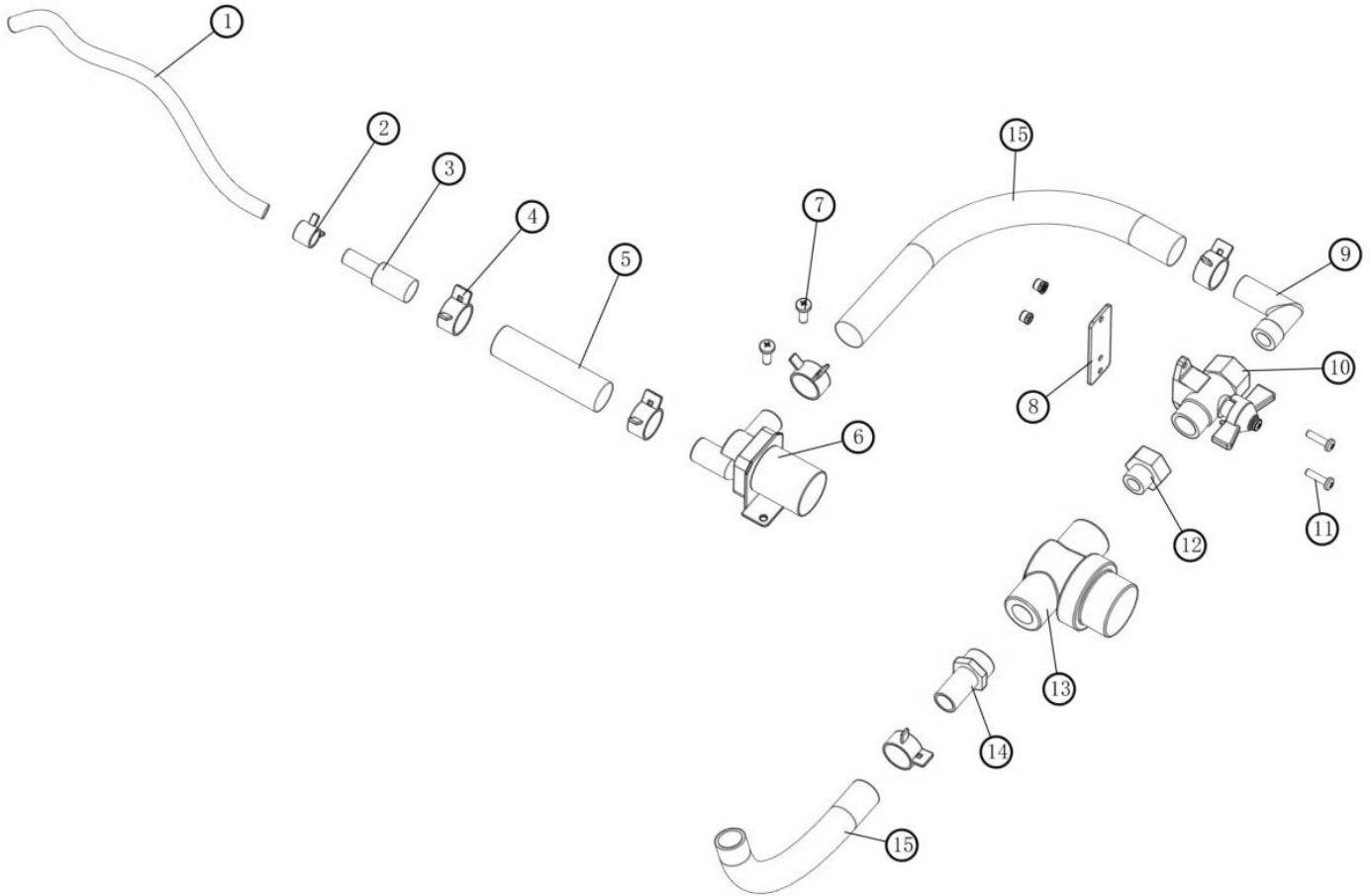
## SCRUB HEAD GROUP

Ref.	Part No.	Mfr. Date	Description	Qty.
1	12273	( )	Screw, Hex, M8 X 1.25 X 20, NI, Ss	4
▽	2	CN5005651	( ) Motor, Ele	1
▲		CN5001828	( ) Brush, Motor	1
3	CN5006239	( )	Bracket, Brush	1
4	CN5006090	( )	Bracket, Brush, Tray	1
5	CN4000418	( )	Washer	1
6	CN5001941	( )	Guide, Wheel, Blk	1
7	CN5000974	( )	Bushing, Brs, 8.2mmb, 12.3mmd, 14mml	1
8	CN4000374	( )	Washer, M8	2
9	CN5005987	( )	Washer, Flat, 31.0mmd 18.2mmb 2.0mm	1
10	11329	( )	Screw, Hex, M6 X 1.00 X 16, NI, Ss	4
11	01684	( )	Washer, Flat, 0.27b 0.69d .05, Ss	4
12	CN5006241	( )	Cover, Skirt, Brush	1
13	CN5006226	( )	Cover, Brush	1
14	CN5006080	( )	Plate Wldt, Brush, Mtg	1
15	09200	( )	Screw, Pan, Phl, M5 X 0.80 X 12, Ss	2
15	140011	( )	Washer, Flat, 0.21b 0.45d .03, Ss	2
16	CN5005707	( )	Plate, Clamp, Brush	1
17	CN5005725	( )	Clip, Spring, Drive, Hub, Release	1
18	1016399	( )	Screw, Hex, M8 X 1.25 X 30, NI, Ss	1
18	08713	( )	Nut, Hex, Lock, M8 X 1.25, NI, Ss	1
19	12277	( )	Screw, Hex, M6 X 1.00 X 20, NI, Ss	8
20	CN5005656	( )	Hub, Drive, 3 Lug, Alm	1
21	CN4000375	( )	Washer, M8	2
22	12333	( )	Screw, Hex, M8 X 1.25 X 25, Ss, NI	1
23	CN5006244	( )	Bush Assy, Disc, Scb, 50cm	1
23	CN5006245	( )	Driver Assy, Pad, 50cm, 3 Lug	1

▽ ASSEMBLY

▲ INCLUDED IN ASSEMBLY

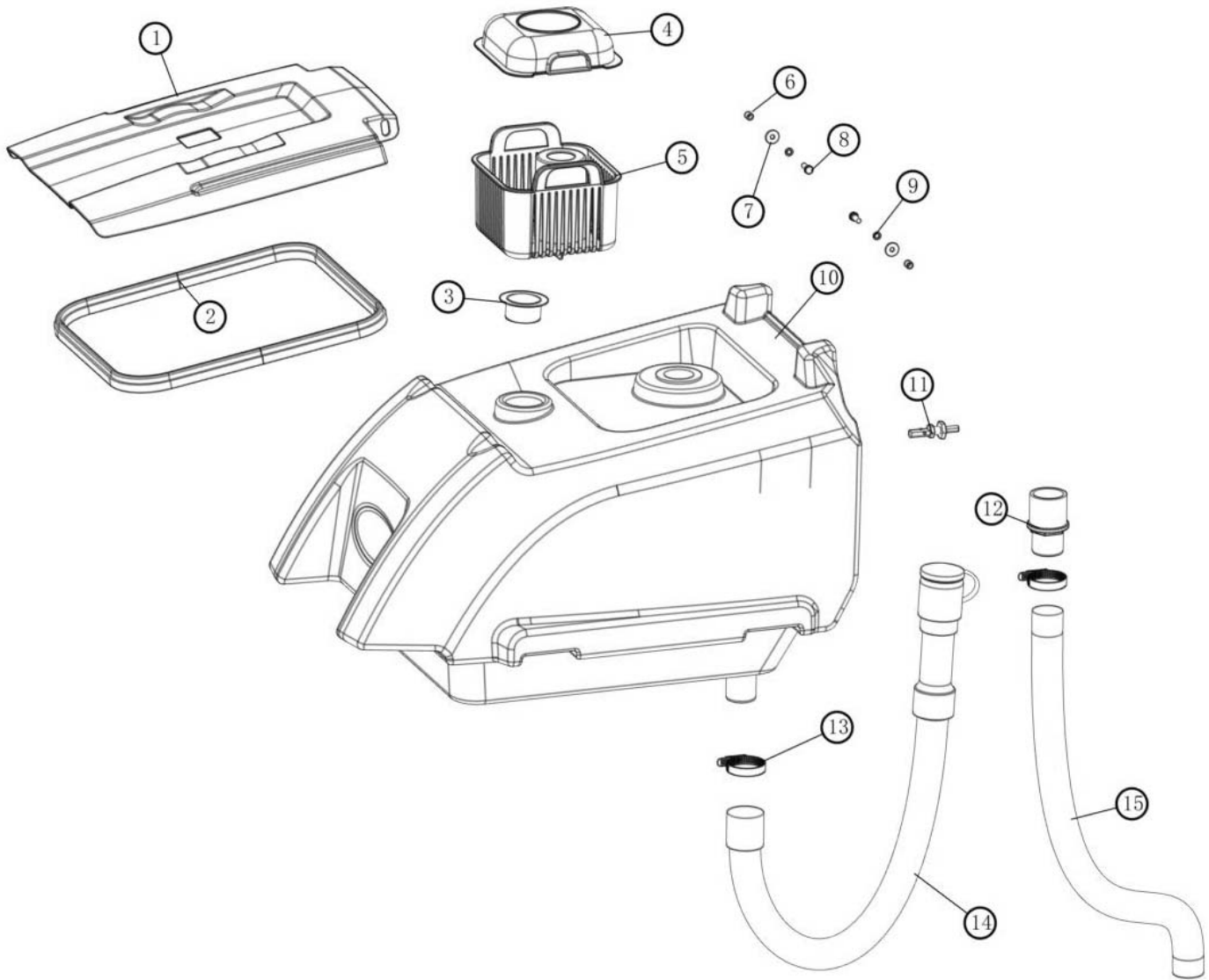
HOSE GROUP



## HOSE GROUP

Ref.	Part No.	Mfr. Date	Description	Qty.
1	CN5002865	( )	Hose, Silicone, 8mmid X 12mmod	1
2	CN5004738	( )	Clamp, Hose, Spring, 13mmd	1
3	CN5004737	( )	Fitting, Str, Adapter	1
4	CN5004739	( )	Clamp, Hose, Spring, 20mmd	5
5	CN5004321	( )	Hose, Silicone, 15mmid X 21mmod	1
6	CN5003085	( )	Solenoid Assy, 24vdc	1
7	06933	( )	Screw, Pan, Phl, M5x0.80x16, 4.8	2
8	CN5006088	( )	Plate, Water, Retaining	1
9	CN5001436	( )	Fitting, Brs, E90	1
10	CN5004736	( )	Valve, Ball	1
11	24265	( )	Screw, Pan, Phl, M4 X 0.70 X 16, Ss	2
12	CN5004733	( )	Fitting	1
13	CN5004741	( )	Filter, Mesh	1
14	CN5005002	( )	Fitting, Brs, Str	1
15	CN5004320	( )	Hose, Silicone, 13mmid X 19mmod	2

RECOVERY TANK GROUP

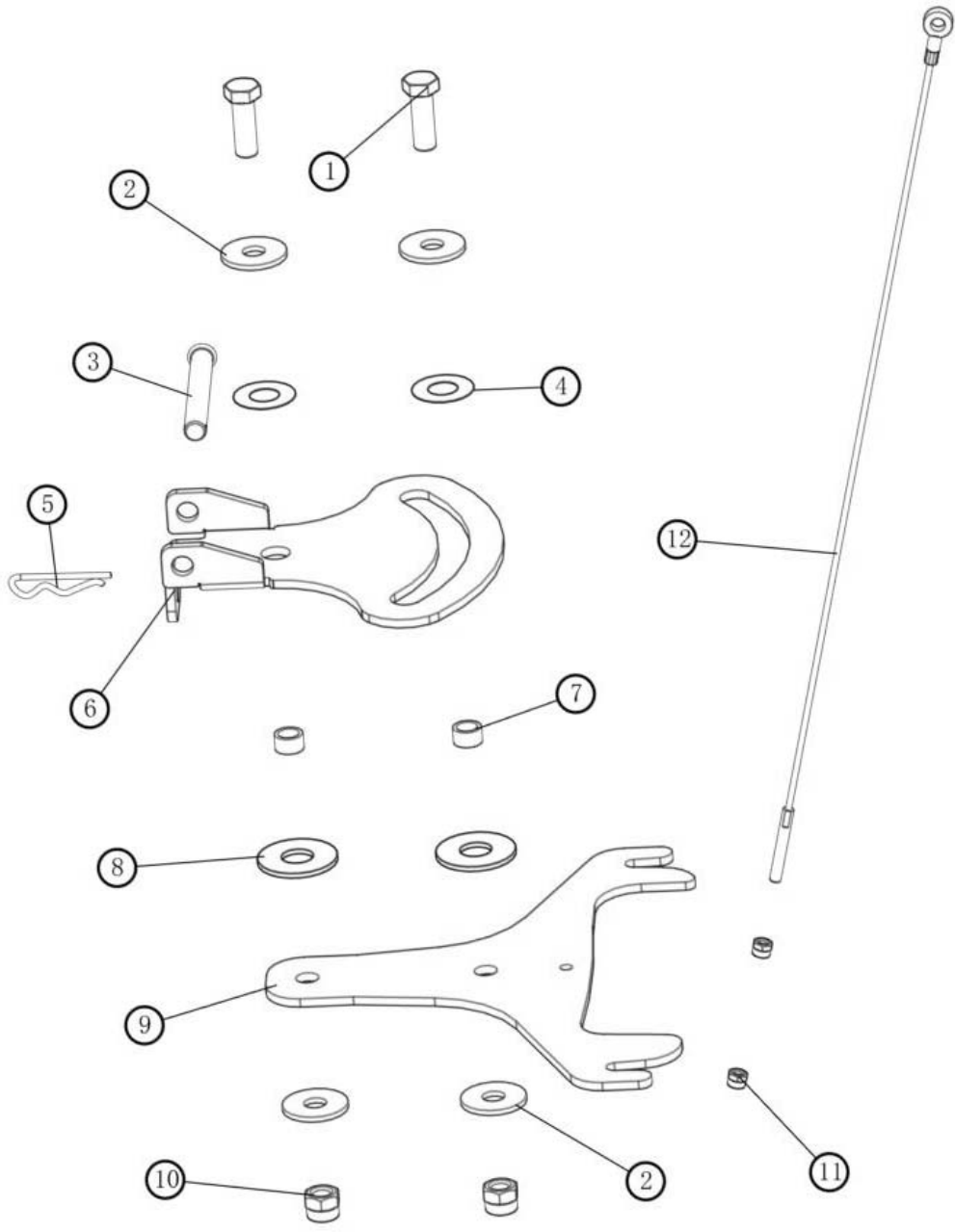


## RECOVERY TANK GROUP

Ref.	Part No.	Mfr. Date	Description	Qty.
1	CN5006224	( )	Cover, Tank, Recvy	1
2	CN5003686	( )	Gasket	1
3	CN5006130	( )	Cover, Motor	1
4	CN5005723	( )	Cover, Debris, Tank, Recvy	1
5	CN5005711	( )	Tray, Debris, Tank, Recvy	1
6	CN5006096	( )	Bushing, Sleeve, 6.0mmb 9.0mmd 8.0mml	2
7	01684	( )	Washer, Flat, 0.27b 0.69d .05, Ss	2
8	11329	( )	Screw, Hex, M6 X 1.00 X 16, NI, Ss	2
9	CN4000405	( )	Washer, M6	2
10	CN5006214	( )	Tank, Recvy, Rm- TI	1
11	CN5003089	( )	Sensor, Level, Liq	1
12	CN5002179	( )	Adapter, Hose, Str	1
13	CN4000009	( )	Clamp, Hose, Wormdrive, 33 - 57mm Id	2
14	CN5002833	( )	Hose Assy, Drain, 38mmd 990mml	1
15	CN5002836	( )	Hose, Sqge, Rear, 38mm Dia	1



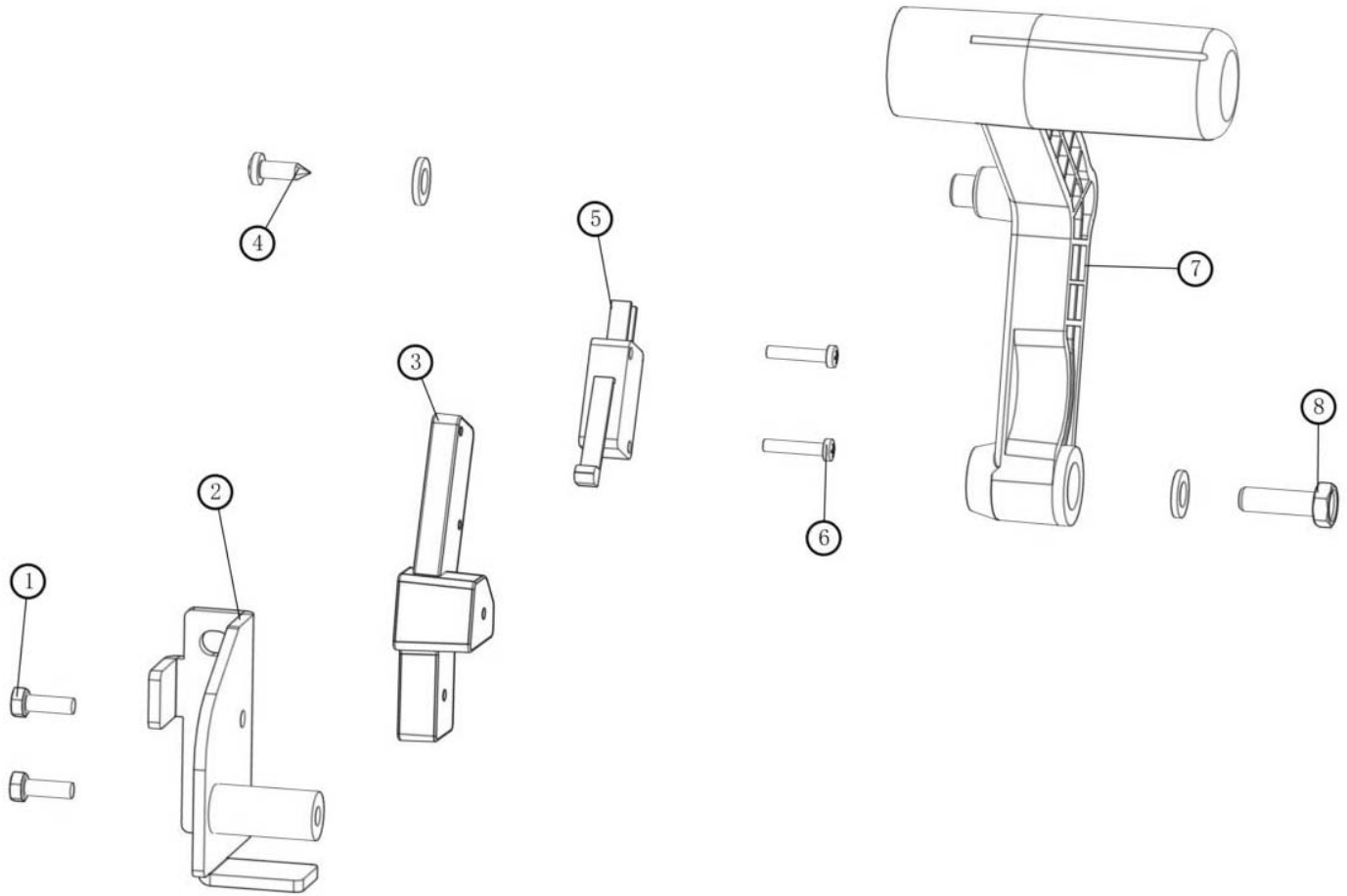
SQUEEGEE ADJUSTMENT GROUP



## SQUEEGEE ADJUSTMENT GROUP

Ref.	Part No.	Mfr. Date	Description	Qty.
1	06968	( )	Screw, Hex, M12 X 1.75 X 35, 8.8	2
2	32493	( )	Washer, Flat, 0.56b 1.38d .11, Stl, Pl	4
3	CN4001142	( )	Pin, Clevis, 12mmd X 95mml	1
4	CN4001004	( )	Washer, 35mmd 17mmb 0.5mml	2
5	CN4000904	( )	Pin, Cotter, 2x40	1
6	CN5006094	( )	Bracket, Lift, Sqge	1
7	CN5006098	( )	Sleeve, 12mmb 16mmd 9.2mml	2
8	CN5004742	( )	Washer, 45mmd 18mmb 3mml	2
9	CN5006237	( )	Plate, Mtg, Sqge	1
10	09741	( )	Nut, Hex, Lock, M12 X 1.75, NI, Ss	2
11	1007108	( )	Nut, Hex, Lock, M6 X 1.00, Kep, Ext	2
12	CN4001159	( )	Cable, 530mml X 3mmd 8.2eye/M6	1

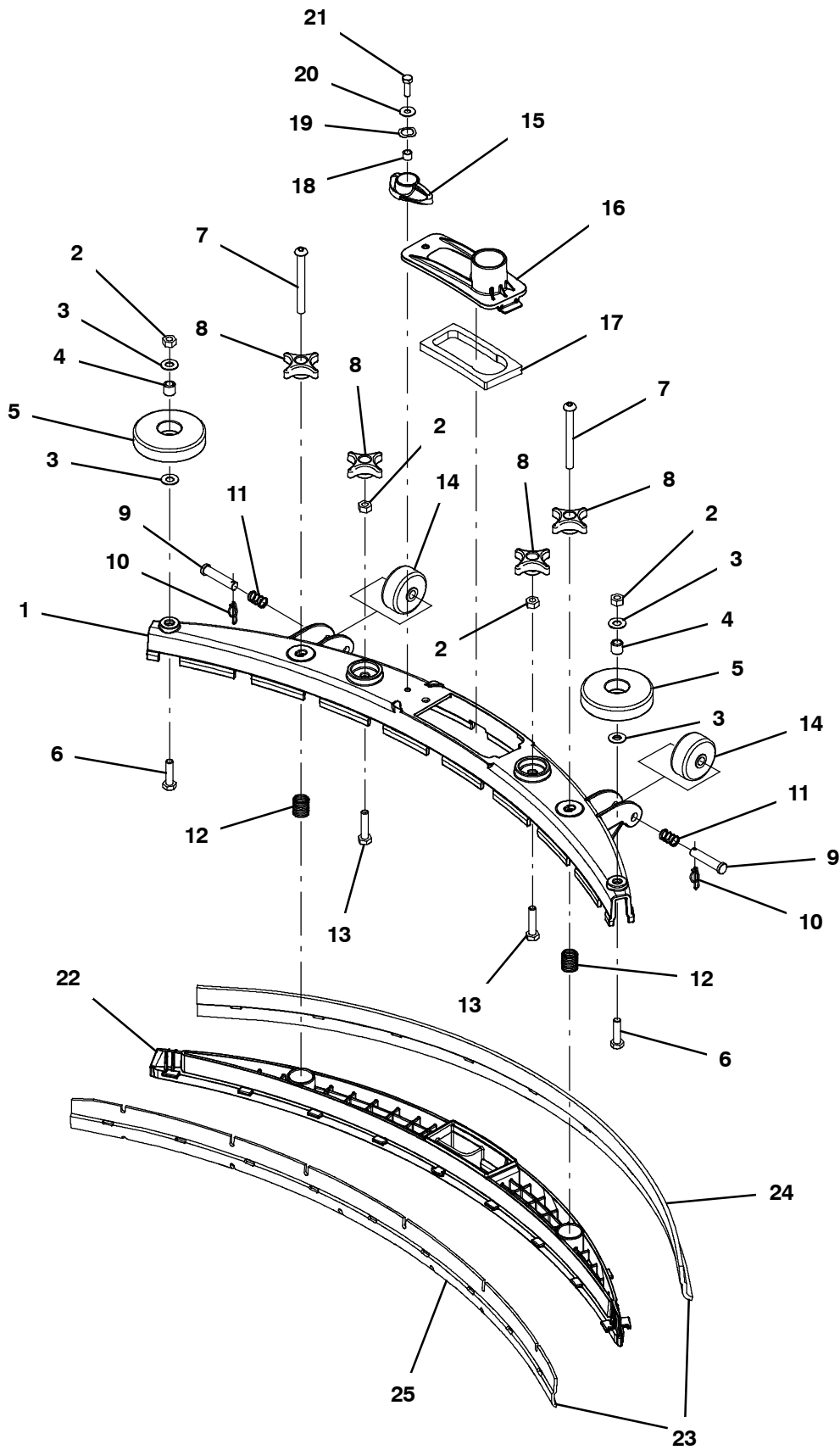
SQUEEGEE LIFT GROUP



## SQUEEGEE LIFT GROUP

Ref.	Part No.	Mfr. Date	Description	Qty.
1	579237	( )	Screw, Pan, Phl, M4 X 0.70 X 12, Ss	2
1	41579	( )	Washer, Flat, 08, Ss	2
2	CN5000028	( )	Bracket, Lifting, Suction	1
3	CN5006106	( )	Arm, Mtg, Switch, Alm	1
4	CN4000048	( )	Screw, Phl	1
5	CN5001521	( )	Switch, Micro	1
6	06921	( )	Screw, Pan, Phl, M3 X 0.50 X 16, 4.8	2
7	CN5001932	( )	Handle, Sqge, Lower, Lift	1
8	CN4000068	( )	Screw, Hex, M6 X 12	1

SQUEEGEE ASSEMBLY, 50 CM / 20 IN



## SQUEEGEE ASSEMBLY, 50 CM / 20 IN

Ref.	Part No.	Mfr. Date	Description	Qty.
▽	9014172	( )	Squeegee Kit, Linatex, Ci [T300/E/Ss300]	1
▲ 1	1230946	( )	Frame, Sqge, 50cm, Mach [T300]	1
▲ 2	07786	( )	Nut, Hex, Std, M8 X 1.25, Ss	2
▲ 3	140027	( )	Washer, Flat, 0.35b 0.75d .04, Ss	4
▲ 4	222460	( )	Sleeve, P/M, 0.32b 0.50d 0.5l [430ss]	2
▲ 5	1010560	( )	Wheel, Bmpr, 80d X 25w, Non-Marking	2
▲ 6	1016399	( )	Screw, Hex, M8 X 1.25 X 30, NI, Ss	2
▲ 7	1255358	( )	Screw, Btn, M8 X 1.25 X 85, Ss	2
▲ 8	1213677	( )	Knob, Star, 2.00od 4ear M8x1.25 [Yel]	4
▲ 9	17461	( )	Pin, Clevis, 0.37d X 1.75l	2
▲ 10	1216647	( )	Pin, Cotter, Hair, 0.38d .054 Wir	2
▲ 11	1017091	( )	Spring, Cmpr, 0.50od .04wir 00.8l	2
▲ 12	22290	( )	Spring, Cmpr, 0.72od .06wir 02.3l	2
▲ 13	09026	( )	Screw, Hex, M8 X 1.25 X 40, Ss	2
▲ 14	630477	( )	Wheel, Pyu, 02.0d 0.38w, Gray	2
▲ 15	1222109	( )	Knob, Sqge, 58l, M6 X 1.00, Plstc	1
▲ 16	1209631	( )	Cover, Trap, Water, Sqge	1
▲ 17	1210756	( )	Gasket, Trap, Water, Sqge	1
▲ 18	140154	( )	Sleeve, P/M, 0.25b 0.38d 0.3l, PI	1
▲ 19	140060	( )	Washer, .505 X .750 X 0.45 Wave	1
▲ 20	01684	( )	Washer, Flat, 0.27b 0.69d .05, Ss	1
▲ 21	12277	( )	Screw, Hex, M6 X 1.00 X 20, NI, Ss	1
▲ 22	1203638	( )	Retainer, Sqge [T300]	1
▲▽ 23	9015731	( )	Blade Kit, 500mm, Linatex (Standard)	1
▲▲ 24	1203953	( )	Blade, Sqge, Rear, 836l, Linatex[500mm] (Standard)	1
▲▲ 25	1203954	( )	Blade, Sqge, Front, 788l, Linatex[500mm] (Standard)	1
▽ 23	9015732	( )	Blade Kit, 500mm, Urethane (Optional)	1
▲ 24	1215609	( )	Blade, Sqge, Rear, 836l, Urethane[500mm] (Optional)	1
▲ 25	1215611	( )	Blade, Sqge, Front, 788l, Urethane[500mm] (Optional)	1
▽ 23	9015730	( )	Blade Kit, 500mm, Gum (Optional)	1
▲ 24	1215610	( )	Blade, Sqge, Rear, 836l, Gum[500mm] (Optional)	1
▲ 25	1215612	( )	Blade, Sqge, Front, 788l, Gum[500mm] (Optional)	1

▽ ASSEMBLY

▲ INCLUDED IN ASSEMBLY