

ATTIX 50 PC, XC, EC, Clean Room

Model:
ATTIX 50-01 PC
ATTIX 50-21 XC
ATTIX 50-21-PC



Part List US-English

17-08-2011

Nilfisk
ALTO
works for you

www.nilfisk-alto.com

Table of Contents

ATTIX 50 PC, XC, EC, Clean Room

Cabinet Push Clean & Basic & XC	3
Cabinet EC and Clean Room	6
Filtersystem Push Clean & Basic	8
Filtersystem XC	10
Motor Basic and Push Clean	12
Motor XC	14
Motor EC and Clean Room	16
Container ATTIX 50	18
Default accessories	20
RECOMMENDED SPARE PARTS	22

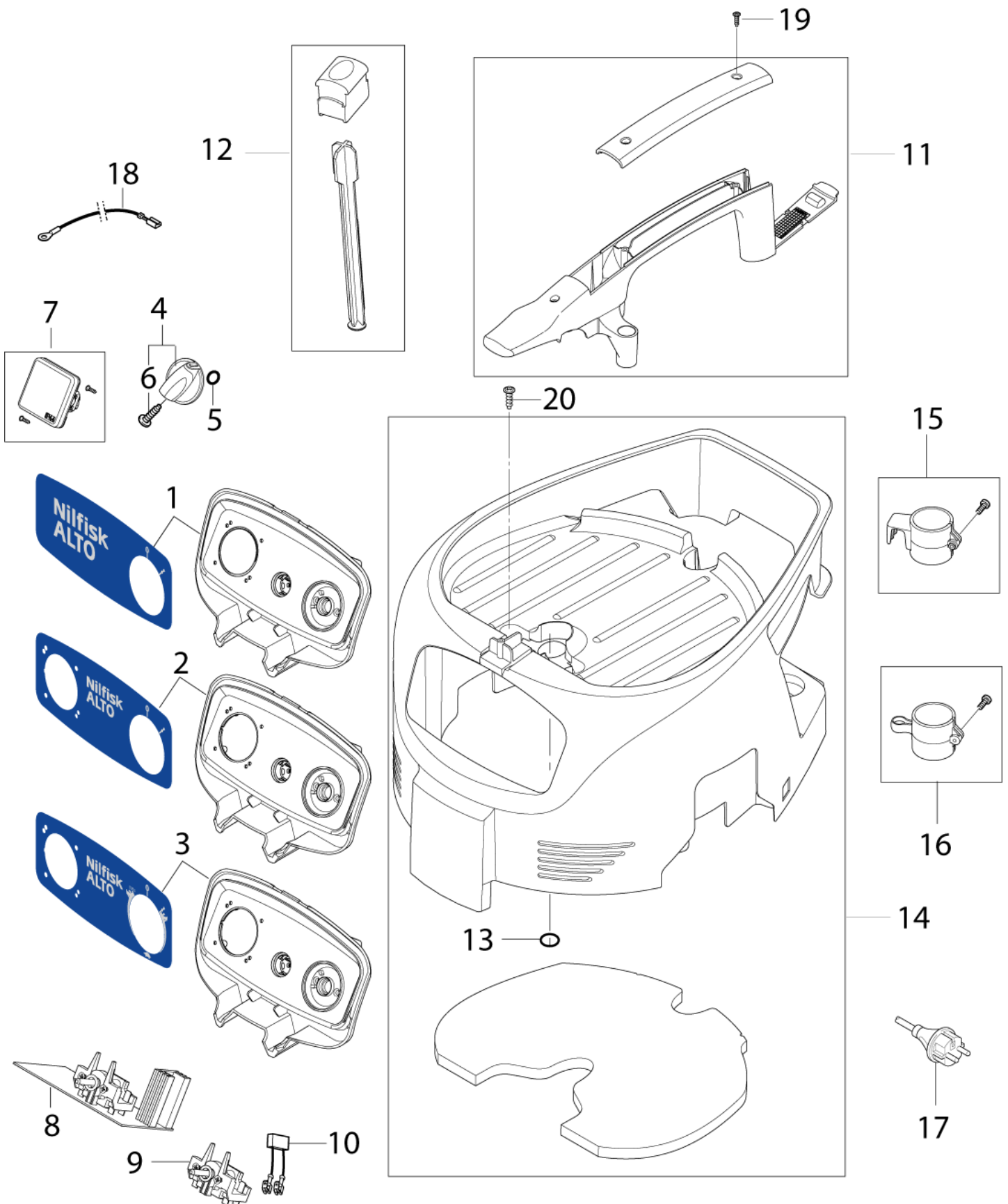
Cabinet Push Clean & Basic & XC

ATTIX 50 PC, XC, EC, Clean Room

17-08-2011

Part List ID
ATTIX3002

3



Cabinet Push Clean & Basic & XC

ATTIX 50 PC, XC, EC, Clean Room

17-08-2011

Part List ID
ATTIX3002

4

Pos	Part no.	Qty	Description	EAN
0	302003502	1	BOX KIT ATTIX 30	4005337140
0	302003503	1	BOX KIT ATTIX 40	4005337140
1	302004047	1	SWITCHBOX NILFISK-ALTO 01PC	4005337148
2	302004048	1	SWITCHBOX NILFISK-ALTO 11PC	4005337148
3	302004049	1	SWITCHBOX NILFISK-ALTO 21PC for Push clean and XC	4005337148
4	909100204	1	ROTARY KNOB 6X5 BLUE	4005337689
5	9868	1	O RING DIA 10X2,5	4005337098
6	32526	1	TREAD-CUTTING SCREW 2.9X19 C ISO 1483 ZN	4005337325
7	107400057	1	SOCKET 16A/110V GB	4005337148
7	107400058	1	SOCKET 16A/250V GB	4005337148
7	107400059	1	SOCKET 16A/250V CH	4005337148
7	107400060	1	SOCKET 16A/250V DK	4005337148
7	302004034	1	SOCKET 16A/250V EU	4005337147
7	302004036	1	SOCKET 16A/250V FR	4005337147
7	302004338	1	SOCKET 15A/125V US/CSA	7319519675
8	107400260	1	AUTO ON-OFF PCB XC 230-240V 230-240V	4005337152
8	107400261	1	AUTO ON-OFF PCB XC 100-120V 100-120V	4005337152
8	302004011	1	AUTO ON-OFF SWITCH ELECTRONIC for -21 PC	4005337147
8	302004060	1	AUTO ON-OFF SWITCH E.SOFTSTART for -11 PC & -01 PC with softstart	4005337148
9	302004035	1	ON-OFF SWITCH for -01 PC without softstart	4005337147
10	48338	1	ANTI-INTERFERENCE CAPACITOR	4005337483
11	107400062	1	HANDLE for Push clean	4005337148
11	302004050	1	HANDLE Basic/XC	4005337148
12	302004051	1	FILTER DEDUSTER Only Push Clean models	4005337148
13	302004061	1	O-RING 25X2 NBR 70	4005337148
14	107400061	1	COVER BLACK XC BASIC	4005337148
14	302004046	1	COVER BLACK PC	4005337148
15	302004027	1	TUBE HOLDER HOOK	4005337147
16	107400064	1	TUBE HOLDER SNAP	4005337148
17	107400266	1	CORD H05RR-F 2X0.75 CH	4005337153
17	107400267	1	CORD H05RR-F 3G1.0 CH	4005337153
17	107400268	1	CORD H05RR-F 2X0.75 GB	4005337153
17	107400270	1	CORD H05RR-F 3G1.5 BS1 363 GB	4005337153
17	107400271	1	CORD H07BQ-F 3G2.5 GB	4005337153
17	107400272	1	CORD H05RR-F 3G1.5 ZA	4005337153
17	107400273	1	CORD H05RR-F 2X0.75 EU	4005337153
17	107402642	1	POWER CORD H05RR-F 3G1.0X8.2	7319519682
17	302000882	1	POWER CORD SJTW-AWG16/3X8	4005337030
17	302004014	1	CORD H07RN-F2X1X8.05 CEE7 EU	4005337147
17	302004037	1	CORD H05RR-F 3G1.5 CEE7/VII EU	4005337147
17	302004038	1	POWER CORD H07RN-F2X1X8.05	4005337147
17	302004039	1	CORD H05RR-F3GX0.75AS3112 A UNZ	4005337147

Cabinet Push Clean & Basic & XC

ATTIX 50 PC, XC, EC, Clean Room

17-08-2011

Part List ID
ATTIX3002

5

Pos	Part no.	Qty	Description	EAN
17	302004040	1	CORD SJTW-A AWG16/2 JP	4005337148
18	107400263	1	WIRE 2.5 X 250 YE/GR 100-120V	4005337153
18	107400264	1	WIRE 1 X 150 220-240V	4005337153
19	302004032	1	SCREW 3.5X18	4005337147
20	302004029	1	SCREW 5X18	4005337147

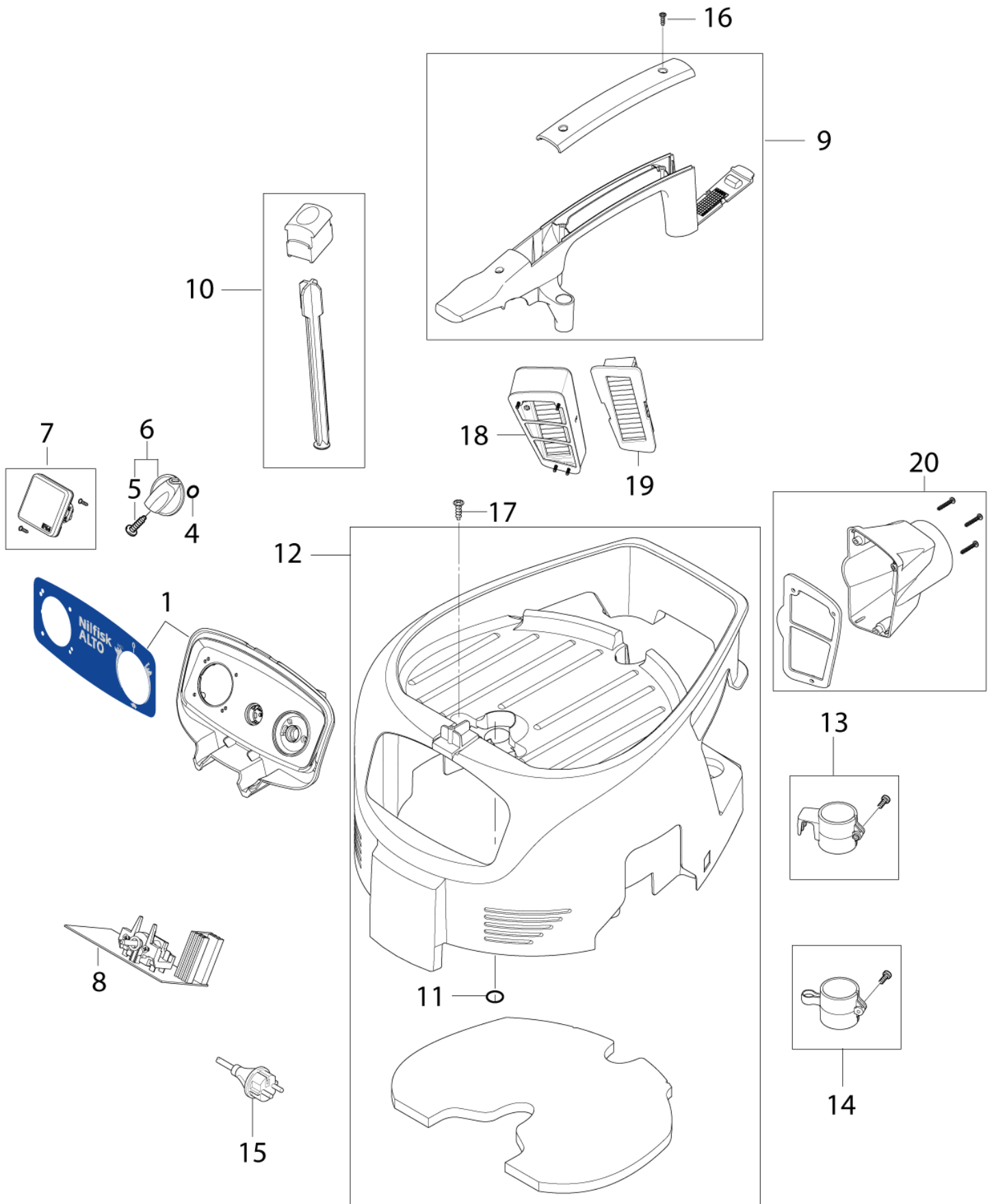
Cabinet EC and Clean Room

ATTIX 50 PC, XC, EC, Clean Room

17-08-2011

Part List ID
ATTIX5012

6



Cabinet EC and Clean Room

ATTIX 50 PC, XC, EC, Clean Room

17-08-2011

Part List ID

ATTIX5012

7

Pos	Part no.	Qty	Description	EAN
1	302004049	1	SWITCHBOX NILFISK-ALTO 21PC	4005337148
4	9868	1	O RING DIA 10X2,5	4005337098
5	32526	1	TREAD-CUTTING SCREW 2.9X19 C ISO 1483 ZN	4005337325
6	909100204	1	ROTARY KNOB 6X5 BLUE	4005337689
7	302004034	1	SOCKET 16A/250V EU	4005337147
8	107400730	1	ELECTRONICS 21 PC EC 230V SET1	7319519674
9	107400062	1	HANDLE	4005337148
10	302004051	1	FILTER DEDUSTER	4005337148
11	302004061	1	O-RING 25X2 NBR 70	4005337148
12	302004046	1	COVER BLACK PC	4005337148
13	302004027	1	TUBE HOLDER HOOK	4005337147
14	107400064	1	TUBE HOLDER SNAP	4005337148
15	302004037	1	CORD H05RR-F 3G1.5 CEE7/VII EU	4005337147
16	302004032	1	SCREW 3.5X18	4005337147
17	302004029	1	SCREW 5X18	4005337147
18	302003721	1	MOTOR COOLING FILTER KIT	Only Clean Room 4005337159
19	107400453	1	FILTER FOR MOTOR COOLING 30/40/50	Only Clean Room 5715492044
20	302003717	1	EXHAUST AIR COLLECTOR	Only Clean Room 4005337144

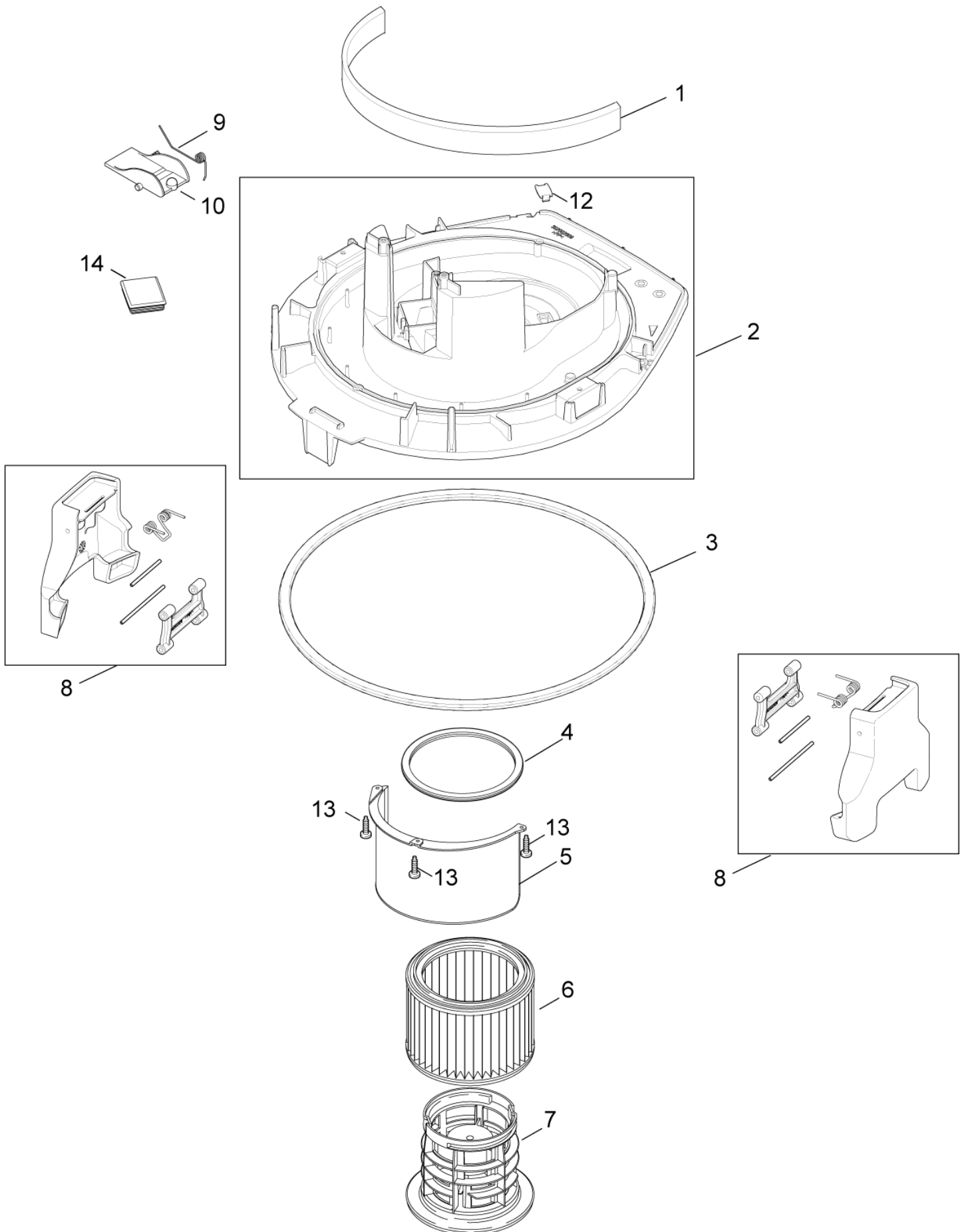
Filtersystem Push Clean & Basic

ATTIX 50 PC, XC, EC, Clean Room

17-08-2011

Part List ID
ATTIX3003

8



Filtersystem Push Clean & Basic

ATTIX 50 PC, XC, EC, Clean Room

17-08-2011

Part List ID
ATTIX3003

9

Pos	Part no.	Qty	Description		EAN
1	302004010	1	SOUND INSULATION FRONT		4005337147
2	302004007	1	BASEPLATE PC		4005337147
3	107400056	1	GASKET FOR CONTAINER	ATTIX 50	4005337148
3	302004008	1	GASKET FOR CONTAINER	ATTIX 30	4005337147
4	302000460	1	GASKET FILTER		4005337136
5	302004016	1	DEFLECTOR		4005337147
6	302000490	1	FILTER ELEMENT D185X140 PET M-CLASS		4005337682
6	302001095	1	FILTER ELEMENT D185X140 HEPA	HEPA	4005337035
7	107402646	1	FILTER SUPPORT CAGE ATTIX PP		7319519682
8	107400301	2	CONTAINER CLAMP	* SEE NOTE	7319519674
9	909100083	1	TORSION SPRING D0.9X18X45 INOX		4005337679
10	302000344	1	FLAP 79X53X25 ATTIX 30		4005337674
12	107401937	1	PLUG BASE PLATE KIT	For machines up to week 35.2011	7319519678
13	302004029	1	SCREW 5X18		4005337147
14	302004058	1	PLUG FOR BASIC		4005337148

* NOTE TSB Vac-092 clamp and container

For machines produced before serial number 09110030030 use Container upgrade kit 107400311, ATTIX 30 or 107400312, ATTIX 50

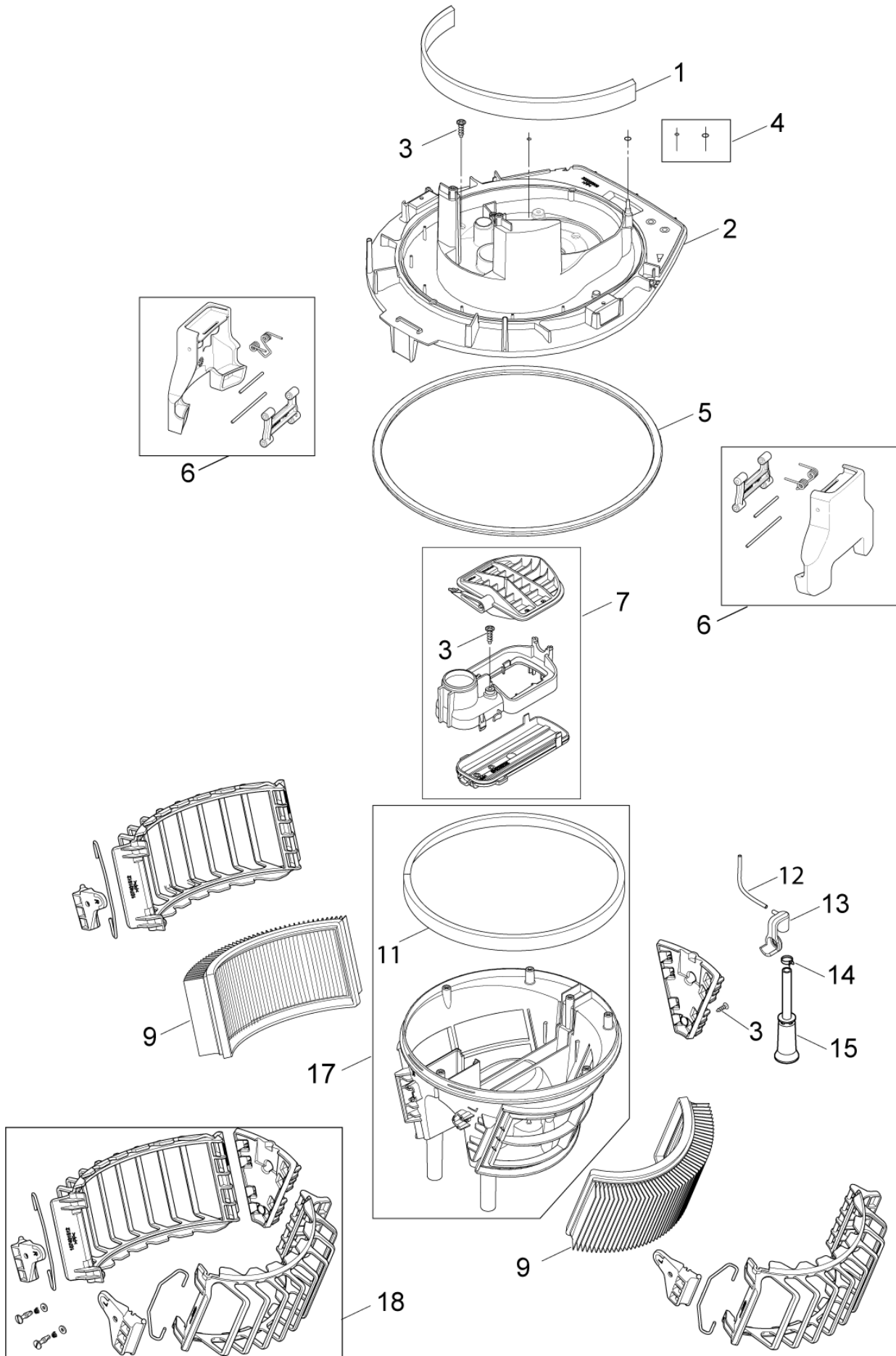
Filtersystem XC

ATTIX 50 PC, XC, EC, Clean Room

17-08-2011

Part List ID
ATTIX50XC10

10



Filtersystem XC

ATTIX 50 PC, XC, EC, Clean Room

17-08-2011

Part List ID
ATTIX50XC10

11

Pos	Part no.	Qty	Description	EAN
1	302004010	1	SOUND INSULATION FRONT	4005337147
2	107400300	1	BASEPLATE XC	7319519674
3	302004029	9	SCREW 5X18	4005337147
4	107400274	1	O-RING XC KIT	4005337153
5	107400056	1	GASKET FOR CONTAINER	4005337148
6	107400301	2	CONTAINER CLAMP	7319519674
7	107400277	1	CX FLAP KIT	4005337153
9	302002842	2	FLAT FILTER PET NANO M-CLASS SET 2 PCS	5715492039
11	107400283	1	SEALING FOR XC	4005337153
12	107400855	1	HOSE D3X1.5 TURBINE SIDE XC	7319519674
13	107400310	1	MOUNT FOR WATERLEVEL CONTROL	7319519675
14	107400285	1	BAND CLAMP FITTING	4005337153
15	107400303	1	HOSE D42X155 FILL LEV. SHUTOFF	7319519674
17	107400302	1	FILTERBRACKET XC	7319519674
18	107402255	1	FILTER MOUNTING KIT XC	7319519680

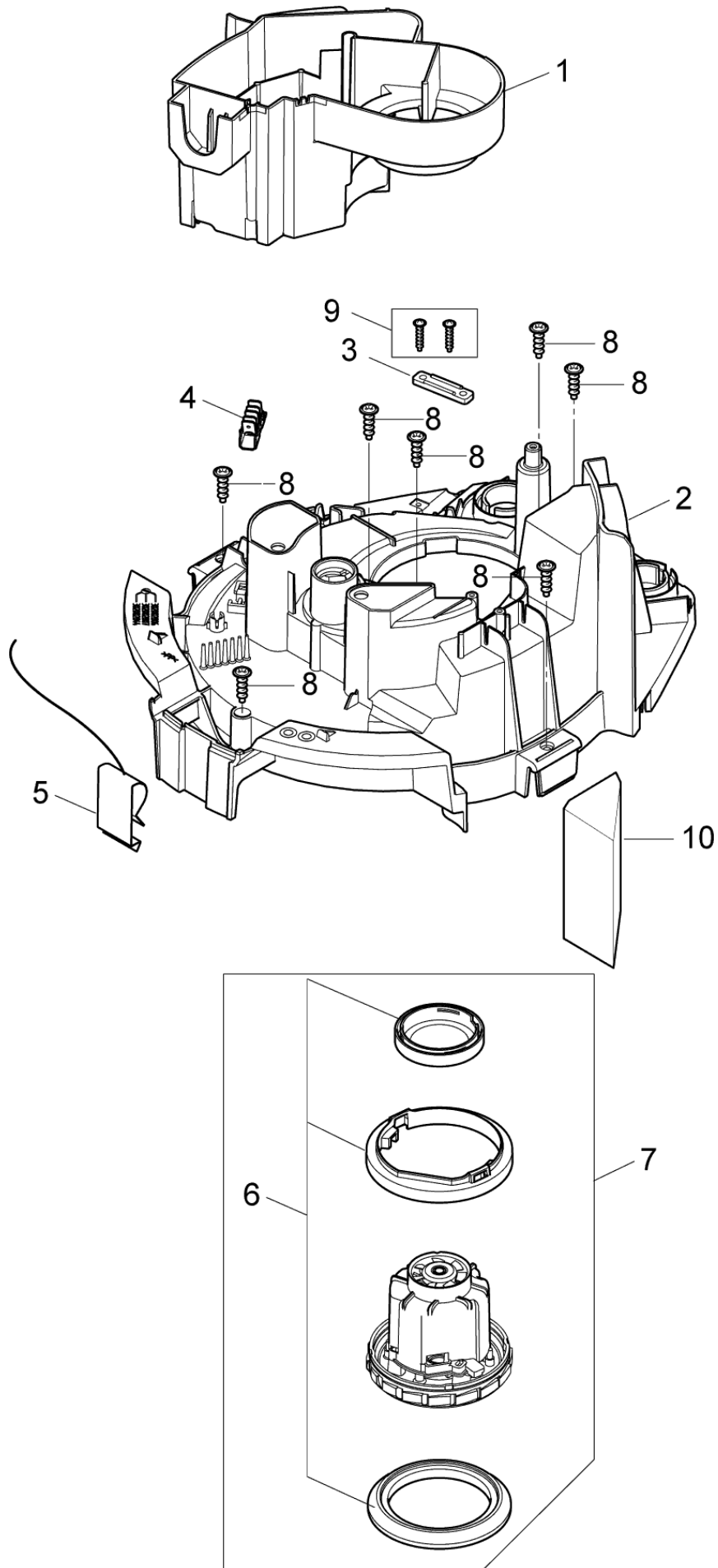
Motor Basic and Push Clean

ATTIX 50 PC, XC, EC, Clean Room

17-08-2011

Part List ID
ATTIX3005

12



Motor Basic and Push Clean

ATTIX 50 PC, XC, EC, Clean Room

17-08-2011

Part List ID
ATTIX3005

13

Pos	Part no.	Qty	Description	EAN
1	302004015	1	AIRGUIDE * See note	4005337147
2	302004009	1	CLAMPINGPLATE PC	4005337147
3	302004030	1	STRAP FOR CABLE	4005337147
4	302004031	1	DISTRIBUTION STRIP 6-POL 16A	4005337147
5	302004023	1	CONTACT SPRING	4005337147
6	302003385	1	SEALING KIT R	4005337136
7	302003384	1	MOTOR KIT 1200W 230V	4005337136
7	302003388	1	MOTOR KIT 1000W 120V	4005337136
7	302004006	1	MOTOR 1200W/100V JP W.GASKET	4005337147
8	302004029	1	SCREW 5X18	4005337147
9	302004032	1	SCREW 3.5X18	4005337147
10	302004045	1	SOUND INSULATION OUTLET	4005337148

* Note: During service or repair of vacuum head alw ays change Airguide 302004015 and Cover for air circuit 107401051

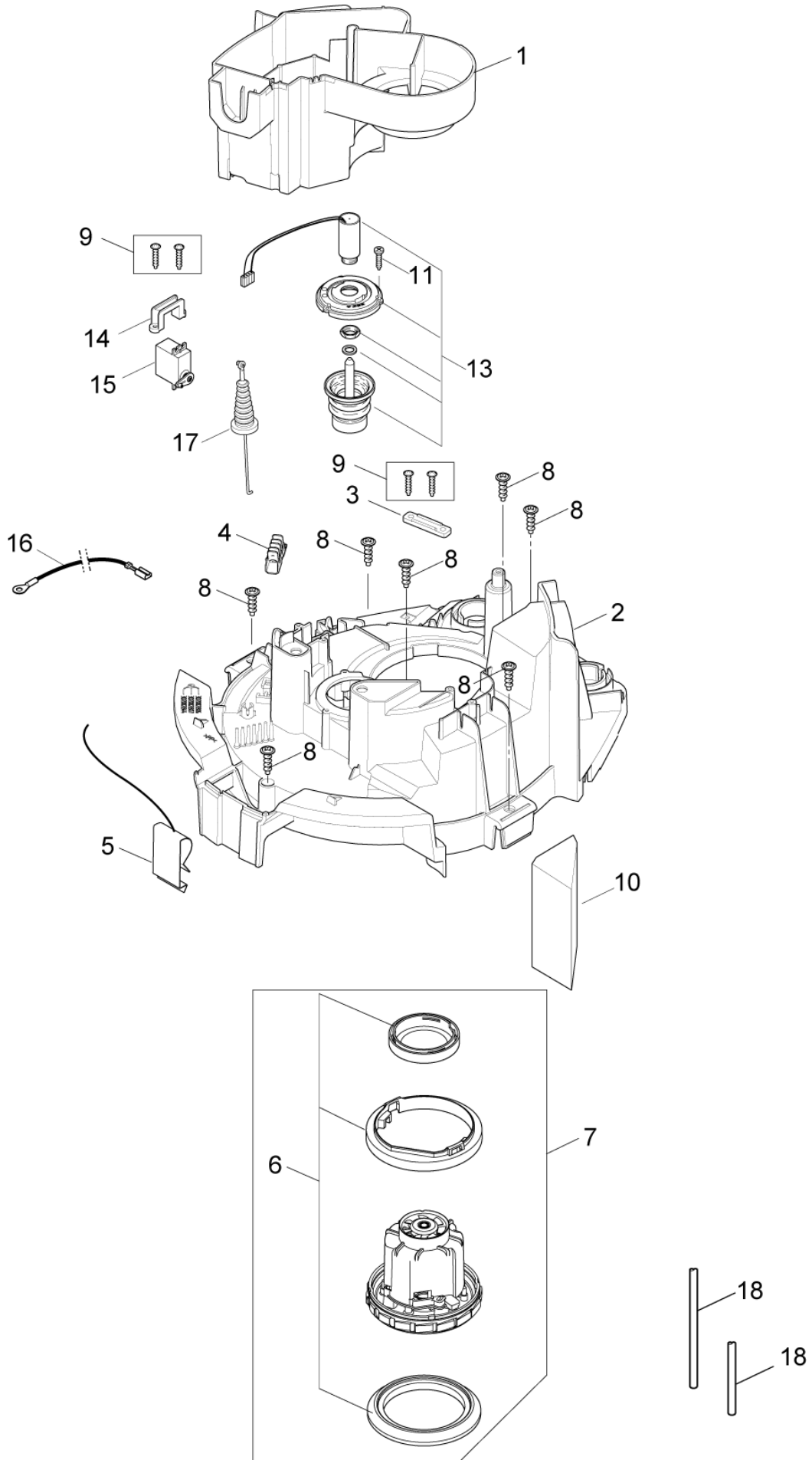
Motor XC

ATTIX 50 PC, XC, EC, Clean Room

17-08-2011

Part List ID
ATTIX3007

14



Motor XC

ATTIX 50 PC, XC, EC, Clean Room

17-08-2011

Part List ID
ATTIX3007

15

Pos	Part no.	Qty	Description	EAN
1	302004015	1	AIRGUIDE * See note	4005337147
2	107400287	1	CLAMPINGPLATE XC	4005337153
3	302004030	1	STRAP FOR CABLE	4005337147
4	302004031	1	DISTRIBUTION STRIP 6-POL 16A	4005337147
5	302004023	1	CONTACT SPRING	4005337147
6	302003385	1	SEALING KIT R	4005337136
7	302003384	1	MOTOR KIT 1200W 230V	4005337136
7	302004006	1	MOTOR 1200W/100V JP W.GASKET	4005337147
8	302004029	1	SCREW 5X18	4005337147
9	302004032	1	SCREW 3.5X18	4005337147
10	302004045	1	SOUND INSULATION OUTLET	4005337148
11	302003319	3	SCREW KIT ATTIX/IVB	4005337140
13	107400291	1	MAGNET 230V	4005337153
13	107400292	1	MAGNET 110V	4005337153
14	107400289	1	SERVO BRACKET	4005337153
15	107400290	1	SERVO FOR XC	4005337153
16	107400262	1	WIRE 1X200 YELLOW/GREEN	4005337153
17	107400276	1	SERVO WIRE XC	4005337153
18	107400309	2	HOSE D3X1.5 TURBINE SIDE XC	7319519675

* Note: During service or repair of vacuum head alw ays change Airguide 302004015 and Cover for air circuit 107401051

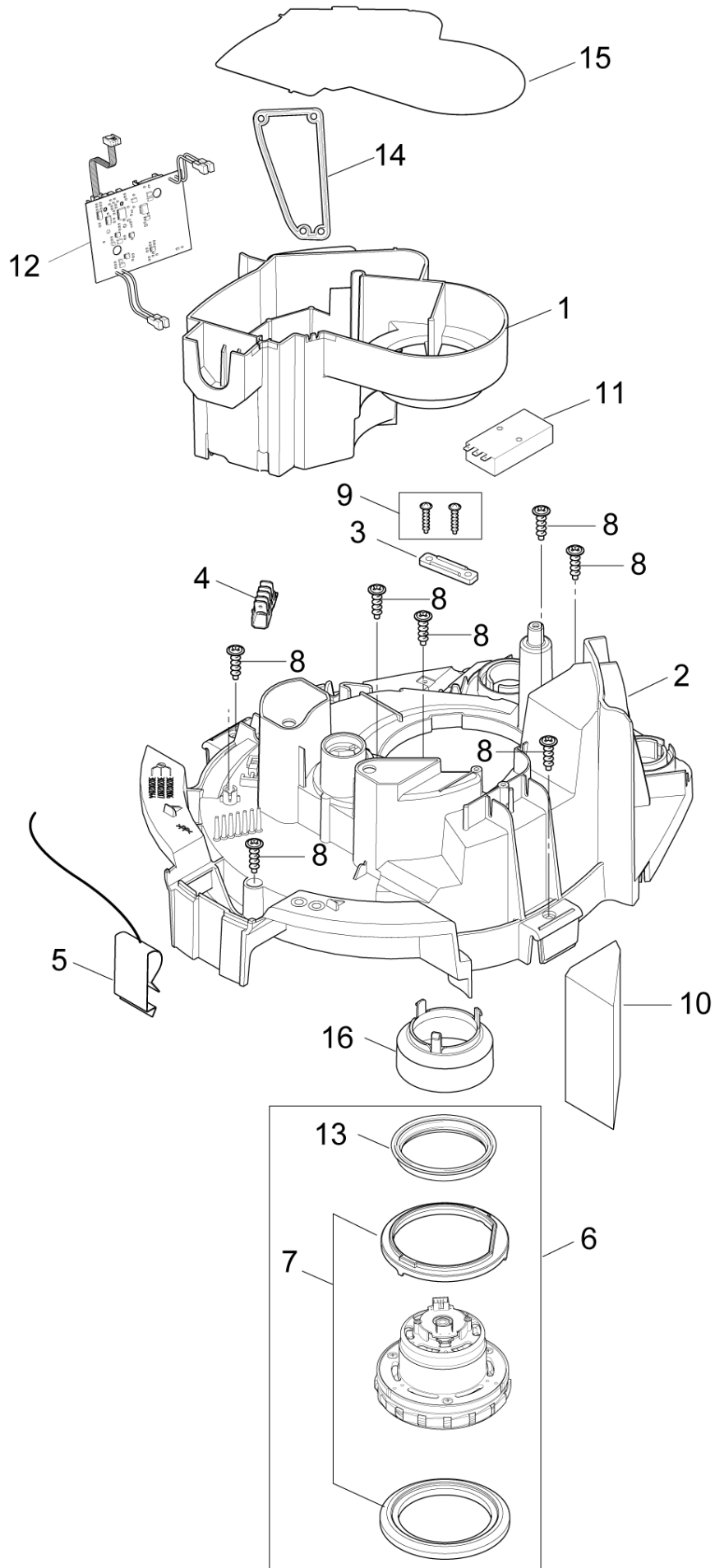
Motor EC and Clean Room

ATTIX 50 PC, XC, EC, Clean Room

17-08-2011

Part List ID
ATTIX5008

16



Motor EC and Clean Room

ATTIX 50 PC, XC, EC, Clean Room

17-08-2011

Part List ID
ATTIX5008

17

Pos	Part no.	Qty	Description	EAN
1	302004015	1	AIRGUIDE * See note	4005337147
2	302004009	1	CLAMPINGPLATE PC	4005337147
3	302004030	1	STRAP FOR CABLE	4005337147
4	302004031	1	DISTRIBUTION STRIP 6-POL 16A	4005337147
5	302004023	1	CONTACT SPRING	4005337147
6	107400042	1	MOTOR EC SET	4005337147
7	302003648	1	SEALING KIT R	4005337143
8	302004029	1	SCREW 5X18	4005337147
9	302004032	1	SCREW 3.5X18	4005337147
10	302004045	1	SOUND INSULATION OUTLET	4005337148
11	107402619	1	SCREENING FILTER KIT	7319519682
12	107400044	1	ELECTRONIC EC MOTOR KIT	4005337147
13	47364	1	PACKING RING 108X86X18	4005337473
14	107401050	1	INNER SEALING ATTIX 30-40-50 EC and Clean Room	7319519675
15	107401051	1	COVER FOR AIR CIRCUIT Clean Room - * See note	7319519675
16	107401936	1	HOOD FOR EC	7319519678

* Note: During service or repair of vacuum head alw ays change Airguide 302004015 and Cover for air circuit 107401051

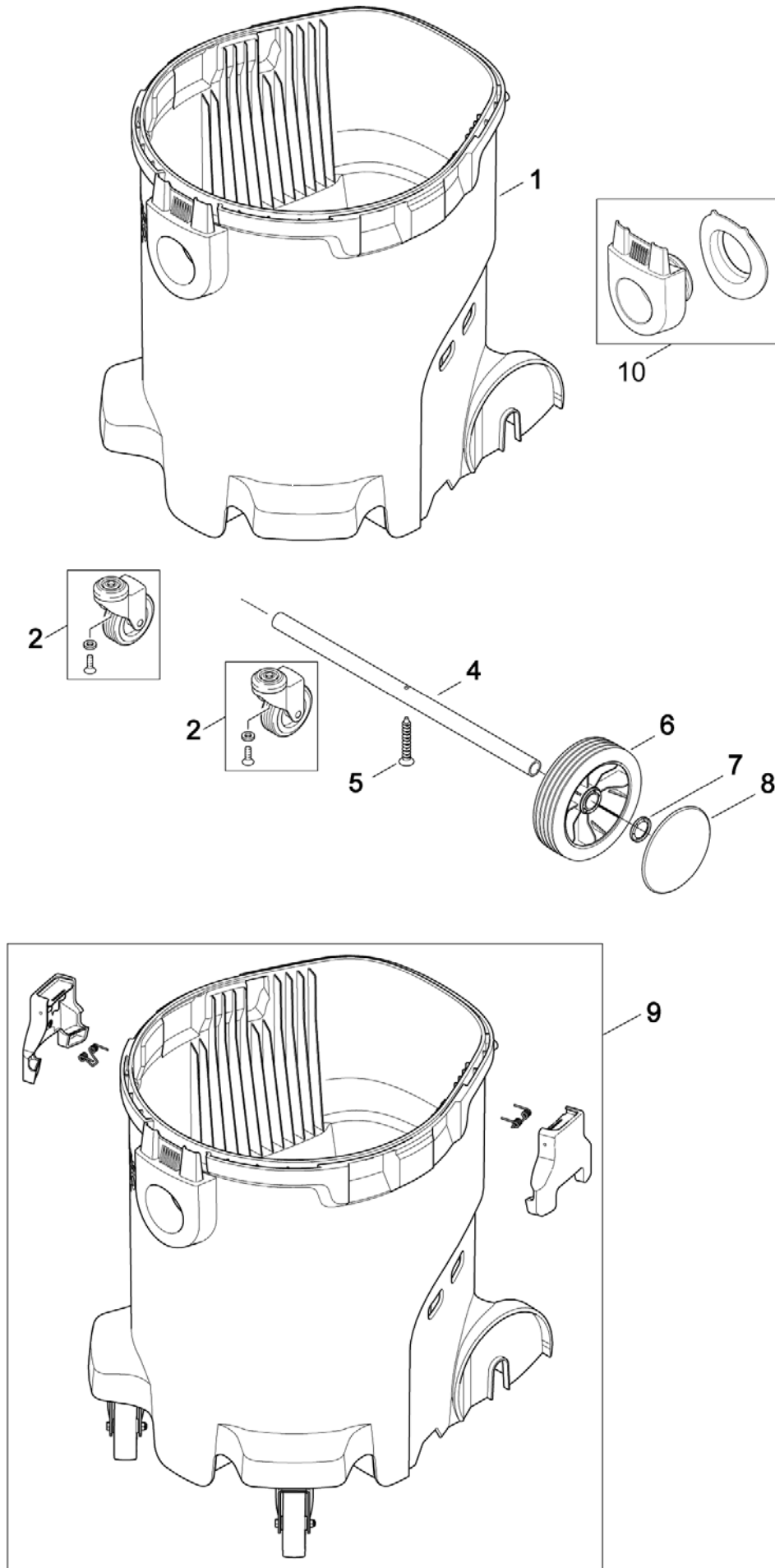
Container ATTIX 50

ATTIX 50 PC, XC, EC, Clean Room

17-08-2011

Part List ID
ATTIX5006

18



Container ATTIX 50

ATTIX 50 PC, XC, EC, Clean Room

17-08-2011

Part List ID
ATTIX5006

19

Pos	Part no.	Qty	Description		EAN
1	107400305	1	CONTAINER WITH FITTING ATTIX50	* SEE NOTE	7319519674
2	302004059	2	FRONT WHEEL FOR CONTAINER		4005337148
4	302004022	1	WHEEL AXLE		4005337147
5	107400063	1	SCREW 5X35		4005337148
6	302000639	2	WHEEL D150X20 BLACK		4005337687
7	47302	2	CLAMPING RING 28.6 20		4005337473
8	302000701	2	WHEEL CAP D115 A		4005337690
9	107400312	1	CONTAINER KIT ATTIX 50	* SEE NOTE	7319519675
10	107402742	1	INLET - KIT FOR ATTIX 30/50		7319519684

* NOTE TSB Vac-092 clamp and container

For machines produced before serial number 09110030030 use Container upgrade kit 107400312

Default accessories

ATTIX 50 PC, XC, EC, Clean Room

17-08-2011

Part List ID
ATTIX5010

20

No Drawing For Part List

Default accessories

ATTIX 50 PC, XC, EC, Clean Room

17-08-2011

Part List ID
ATTIX5010

21

Pos	Part no.	Qty	Description	EAN
-	107400079	1	AIRBOX 230V 50 HZ EU	7319519671
-	107400453	1	FILTER FOR MOTOR COOLING 30/40/50	5715492044
-	302003717	1	EXHAUST AIR COLLECTOR	4005337144
-	302003721	1	MOTOR COOLING FILTER KIT	4005337159
	15325	1	HOSE D27X3500 AS WITH TOOL ADAPTER	4005337153
	15546	1	Exten tube Ø36 2x500mm SS	4005337155
	302000477	1	COMBI NOZZLE 260XØ36MM	4005337682
	302000490	1	FILTER ELEMENT D185X140 PET M-CLASS	4005337682
	302000528	1	CURVED HAND TUBE D36MM CR	4005337683
	302000529	1	EXTEN TUBE 36 2X500MM CR	4005337021
	302000535	1	TOOL ADAPTER D27 QUICKSYSTEM	4005337683
	302000728	1	DISPOSAL BAG SET5 ATTIX 5/50	4005337027
	302001682	1	AS HOSED36X5000MM WITH TOOL	4005337070
	302002842	1	FLAT FILTER PET NANO M-CLASS SET 2 PCS	5715492039
	302003666	1	INDST.FL.NOZZ.36X400MM W/BRUS.	4005337144
0	302003796	1	Replacement brush strips, set of 2 pcs.	For floor nozzle 302003666 5715492039
0	302003797	1	Replacement rubber lips, set of 2 pcs.	For floor nozzle 302003666 5715492039
	302004004	1	FLEECE FILTER BAG 40/50 SET 5pcs	5715492039
	46691	1	CURVED HAND TUBE Ø 36MM SS	4005337466
	46948	1	UNIV HOSED36X3000MM FOR	4005337469
	5146	1	BRUSH NOZZLE 70XØ36MM	4005337051
	60356	1	NOZZLE 360X Ø 36MM	4005337603
	6084	1	CREVICE NOZZLE 300XØ36 MM	4005337060

RECOMMENDED SPARE PARTS

ATTIX 50 PC, XC, EC, Clean Room

17-08-2011

Part List ID

ATTIX5014

22

No Drawing For Part List

RECOMMENDED SPARE PARTS

ATTIX 50 PC, XC, EC, Clean Room

17-08-2011

Part List ID
ATTIX5014

23

Pos	Part no.	Qty	Description	EAN
1	107400042	1	MOTOR EC SET	4005337147
1	107400044	1	ELECTRONIC EC MOTOR KIT	4005337147
1	107400056	1	GASKET FOR CONTAINER ATTIX 50	4005337148
1	107400057	1	SOCKET 16A/110V GB	4005337148
1	107400058	1	SOCKET 16A/250V GB	4005337148
1	107400059	1	SOCKET 16A/250V CH	4005337148
1	107400060	1	SOCKET 16A/250V DK	4005337148
1	107400064	1	TUBE HOLDER SNAP	4005337148
1	107400260	1	AUTO ON-OFF PCB XC 230-240V 230-240V	4005337152
1	107400261	1	AUTO ON-OFF PCB XC 100-120V 100-120V	4005337152
1	107400266	1	CORD H05RR-F 2X0.75 CH	4005337153
1	107400267	1	CORD H05RR-F 3G1.0 CH	4005337153
1	107400268	1	CORD H05RR-F 2X0.75 GB	4005337153
1	107400270	1	CORD H05RR-F 3G1.5 BS1 363 GB	4005337153
1	107400271	1	CORD H07BQ-F 3G2.5 GB	4005337153
1	107400272	1	CORD H05RR-F 3G1.5 ZA	4005337153
1	107400273	1	CORD H05RR-F 2X0.75 EU	4005337153
1	107400274	1	O-RING XC KIT FILTERSYSTEM XC	4005337153
1	107400276	1	SERVO WIRE XC	4005337153
1	107400277	1	CX FLAP KIT FILTERSYSTEM XC	4005337153
1	107400278	1	FILTERBRACKET PLATE XC FILTERSYSTEM XC FROM 2009	4005337153
1	107400283	1	SEALING FOR XC FILTERSYSTEM XC	4005337153
1	107400287	1	CLAMPINGPLATE XC	4005337153
1	107400290	1	SERVO FOR XC	4005337153
1	107400291	1	MAGNET 230V	4005337153
1	107400292	1	MAGNET 110V	4005337153
1	107400300	1	BASEPLATE XC FILTERSYSTEM XC	7319519674
1	107400301	1	CONTAINER CLAMP SEE NOTE*	7319519674
1	107400307	1	FILTER CLAMP XC RIGHT KIT-1 FILTERSYSTEM XC	7319519674
1	107400309	1	HOSE D3X1.5 TURBINE SIDE XC	7319519675
1	107400312	1	CONTAINER KIT ATTIX 50 SEE NOTE*	7319519675
1	107400449	1	FLAT FILTER H-CLASS SET 2 PCS FILTERSYSTEM XC	5715492044
1	107400453	1	FILTER FOR MOTOR COOLING 30/40/50 ONLY CLEAN ROOM	5715492044
1	107400496	1	H-FILTER BRACKET XC KIT-1 FILTERSYSTEM XC FROM 2009	7319519671
1	107400730	1	ELECTRONICS 21 PC EC 230V SET1	7319519674
1	107401050	1	INNER SEALING ATTIX 30-40-50 EC AND CLEAN ROOM	7319519675
1	107401051	1	COVER FOR AIR CIRCUIT CLEAN ROOM - SEE NOTE	7319519675

* NOTE TSB Vac-092 clamp and container

For machines produced before serial number 09110030030 use Container upgrade kit 107400311, ATTIX 30 or 107400312, ATTIX 50

** NOTE: During service or repair of vacuum head always change Airguide 302004015 and Cover for air circuit 107401051

RECOMMENDED SPARE PARTS

ATTIX 50 PC, XC, EC, Clean Room

17-08-2011

Part List ID
ATTIX5014

24

Pos	Part no.	Qty	Description		EAN
1	107401936	1	HOOD FOR EC	EC AND CLEAN ROOM	7319519678
1	107402255	1	FILTER MOUNTING KIT XC	FILTERSYSTEM XC FROM 2009	7319519680
1	107402619	1	SCREENING FILTER KIT		7319519682
1	107402642	1	POWER CORD H05RR-F 3G1.0X8.2		7319519682
1	107402646	1	FILTER SUPPORT CAGE ATTIX PP		7319519682
1	302000460	1	GASKET FILTER		4005337136
1	302000490	1	FILTER ELEMENT D185X140 PET M-CLASS		4005337682
1	302000639	1	WHEEL D150X20 BLACK		4005337687
1	302000728	1	DISPOSAL BAG SET5 ATTIX 5/50		4005337027
1	302000882	1	POWER CORD SJTW-AWG16/3X8		4005337030
1	302001095	1	FILTER ELEMENT D185X140 HEPA	HEPA	4005337035
1	302002842	1	FLAT FILTER PET NANO M-CLASS SET 2 PCS	FILTERSYSTEM XC	5715492039
1	302003384	1	MOTOR KIT 1200W 230V		4005337136
1	302003385	1	SEALING KIT R		4005337136
1	302003388	1	MOTOR KIT 1000W 120V		4005337136
1	302003648	1	SEALING KIT R		4005337143
1	302003717	1	EXHAUST AIR COLLECTOR	ONLY CLEAN ROOM	4005337144
1	302003721	1	MOTOR COOLING FILTER KIT	ONLY CLEAN ROOM	4005337159
1	302004004	1	FLEECE FILTER BAG 40/50 SET 5pcs		5715492039
1	302004006	1	MOTOR 1200W/100V JP W.GASKET		4005337147
1	302004007	1	BASEPLATE PC		4005337147
1	302004008	1	GASKET FOR CONTAINER	ATTIX 30	4005337147
1	302004009	1	CLAMPINGPLATE PC		4005337147
1	302004011	1	AUTO ON-OFF SWITCH ELECTRONIC	FOR -21 PC	4005337147
1	302004014	1	CORD H07RN-F2X1X8.05 CEE7 EU		4005337147
1	302004015	1	AIRGUIDE	SEE NOTE**	4005337147
1	302004023	1	CONTACT SPRING		4005337147
1	302004027	1	TUBE HOLDER HOOK		4005337147
1	302004034	1	SOCKET 16A/250V EU		4005337147
1	302004035	1	ON-OFF SWITCH	FOR -01 PC WITHOUT SOFTSTART	4005337147
1	302004036	1	SOCKET 16A/250V FR		4005337147
1	302004037	1	CORD H05RR-F 3G1.5 CEE7/VII EU		4005337147
1	302004038	1	POWER CORD H07RN-F2X1X8.05		4005337147
1	302004039	1	CORD H05RR-F3GX0.75AS3112 A UNZ		4005337147
1	302004040	1	CORD SJTW-A AWG16/2 JP		4005337148
1	302004058	1	PLUG FOR BASIC		4005337148
1	302004059	1	FRONT WHEEL FOR CONTAINER		4005337148

* NOTE TSB Vac-092 clamp and container

For machines produced before serial number 09110030030 use Container upgrade kit 107400311, ATTIX 30 or 107400312, ATTIX 50

** NOTE: During service or repair of vacuum head always change Airguide 302004015 and Cover for air circuit 107401051

RECOMMENDED SPARE PARTS

ATTIX 50 PC, XC, EC, Clean Room

17-08-2011

Part List ID
ATTIX5014

25

Pos	Part no.	Qty	Description	EAN
1	302004060	1	AUTO ON-OFF SWITCH E.SOFTSTART FOR -11 PC & -01 PC WITH SOFTSTART	4005337148
1	302004338	1	SOCKET 15A/125V US/CSA	7319519675
1	47302	1	CLAMPING RING 28.6 20	4005337473
1	47364	1	PACKING RING 108X86X18	4005337473

* NOTE TSB Vac-092 clamp and container

For machines produced before serial number 09110030030 use Container upgrade kit 107400311, ATTIX 30 or 107400312, ATTIX 50

** NOTE: During service or repair of vacuum head always change Airguide 302004015 and Cover for air circuit 107401051