

Powr-Flite[®]

OPERATOR'S MANUAL & PARTS LIST

COMMERCIAL AIR MOVER

PDS1 and PDS1DX Models





WARNING: OPERATOR MUST READ AND UNDERSTAND THIS MANUAL COMPLETELY BEFORE OPERATING THIS EQUIPMENT.

Save These Instructions

INTRODUCTION

Check the carton for shipping damage. Carefully unpack and inspect your new Powr-Flite dryer for shipping damage. Each unit is tested and thoroughly inspected prior to shipping. If damage is discovered, immediately notify the transportation company that delivered your machine and request an inspection. As a manufacturer, we are unable to act upon any claim for concealed damage; you must originate the claim. Be sure to keep the carton, packing inserts, packing lists, and carrier's receipt until the inspector has verified your claim.

	PROTECT THE ENVIRONMENT
	

Please dispose of packaging materials in an environmentally-safe way according to local waste disposal regulations.

Always remember to recycle.

Introduction	2
Safety Instructions	3
Grounding Instructions	4
Operating Instructions	5
Maintenance	5
Storage.....	5
Troubleshooting.....	5
Machine Specifications.....	5
Schematic and Parts List.....	6

MANUAL

This manual has important information for the use and safe operation of the dryer. Read this manual carefully before starting the machine. Keep the manual available at all times and instruct all operators to read this manual.

REFERENCE INFORMATION


Reference Information

Model Number _____

Serial Number _____

Date Purchased _____

Retain this manual as a permanent record of your purchase.

Volts: 120	HZ: 60
HP: 1/2	AMPS: 4.4
Model No: PDS1	
Serial No: 0000000	
Powr-Flite Inc.	
A Tacony Co.	
Ft Worth, TX 76140	
Assembled in China	

Your Model Number and Serial Number can be found on the rating plate on the housing.

SAFETY WARNINGS AND PRECAUTIONS



WARNING!

Read all instructions before using. Save These Instructions. Following the cleaning instructions will prolong the life of your Powr-Flite Dryer.

To reduce the risk of fire, explosion, electric shock, or injury, the following precautions should always be followed.

1. Use only as described in this manual. Use only manufacturer's recommended attachments.
2. Do not operate this machine near flammable liquids, vapors, combustible dusts or material capable of catching fire such as drapes, etc.
3. Connect only to an outlet provided with a ground fault circuit interrupting device.
4. Unplug cord from outlet when not in use and before cleaning or servicing machine.
5. Do not allow to be used as a toy. Close attention is necessary when used near children.
6. This machine is not intended for use by persons with reduced physical, sensory or mental capabilities, or lack of experience and knowledge.
7. Do not use with damaged cord or plug. If appliance is not working as it should, has been dropped, damaged, left outdoors, or dropped in water, return it to a service center for repair.
8. Do not pull or carry by cord, use cord as a handle, close a door on cord, or pull cord around sharp edges or corners. Keep cord away from heated surfaces.
9. Do not unplug by pulling on cord. To unplug, grasp the plug, not the cord.
10. Do not handle plug or appliance with wet hands.
11. Do not use an extension cord with this appliance.
12. Do not put any object into openings. Do not use with any opening blocked; keep free of dust, lint, hair and anything that may reduce air flow.
13. Keep hair, loose clothing, fingers, and all parts of body away from openings and moving parts.
14. Always operate appliance on a stable, flat surface such as the floor.
15. Do not use this appliance with any solid-state speed control device.
16. Do not operate appliance without safety devices in place.
17. Turn off all controls before unplugging.
18. All repairs must be performed by a qualified service person. Use only manufacturer-supplied or equivalent replacement parts.
19. Do not use outdoors. Do not expose appliance to rain or moisture. Store indoors.
20. Connect to a properly grounded outlet only. See Grounding Instructions.
21. This appliance is thermally protected.
22. To avoid severe or fatal shock, all electrical cords and components must be kept dry at all times.



WARNING!

To reduce the risk of fire or electric shock, do not use this fan with any solid-state speed control device.

GROUNDING INSTRUCTIONS

This dryer must be grounded! Grounding is a safety measure to reduce the risk of electrical shock to the operator should the machine malfunction or stop working. Grounding provides the path of least resistance for electric current and will trip the circuit breaker, stopping the flow of electricity.

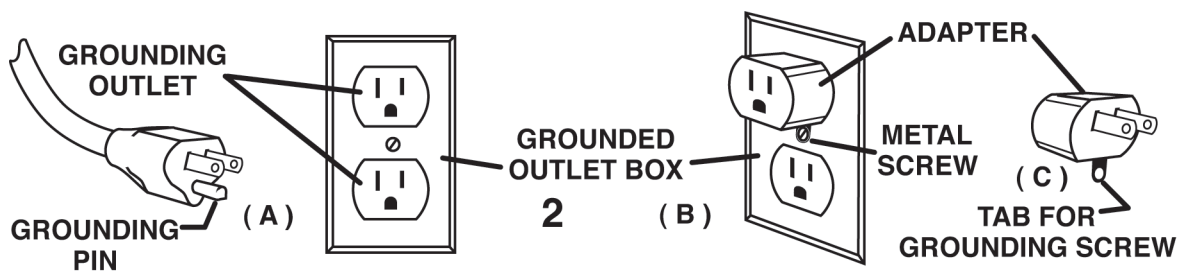
This unit is equipped with a cord containing an equipment-grounding conductor and grounding plug. The plug must be inserted in an appropriate outlet that is properly installed and grounded in accordance with all local codes and ordinances. Cutting off the ground wire or using a cord that is not equipped with a ground plug will void the warranty on the unit. Powr-Flite will accept NO liability associated with the unit.



WARNING!

Improper connection of the equipment-grounding conductor can result in a risk of electric shock. Check with a qualified electrician or service person if you are in doubt as to whether the outlet is properly grounded. Do not modify the plug provided with the appliance. If it will not fit the outlet, have a proper outlet installed by a qualified electrician.

This dryer is for use on a nominal 120-volt circuit, and has a grounded plug that looks like the plug illustrated in Figure A. If a properly grounded outlet is not available, a temporary adapter that looks like the adapter illustrated in Figure B and C may be used to connect this plug to a 2-pole receptacle as shown in Figure B. The temporary adapter should be used only until a properly grounded outlet (Figure A) can be installed by a qualified electrician. The green-colored rigid ear, lug, or the like, extending for the adapter, must be connected to a permanent ground such as a properly grounded outlet box cover. Whenever the adapter is used, it must be held in place by a metal screw.



Note: In Canada, the use of a temporary adapter is not permitted by the Canadian Electrical Code.



WARNING!

The replacement or repair of damaged wiring should only be performed by a qualified electrician or service engineer from the manufacturer or authorized service center.

OPERATING INSTRUCTIONS

MACHINE COMPONENTS



- 1. 3-Speed Switch
- 2. Carrying Handle
- 3. Power Cord Storage
- 4. Air Outlet Vent
- 5. Air Intake Vent
- 6. Kick Stand

MACHINE OPERATION

1. Ensure machine is in a safe operating location. Do not place machine in a puddle and make sure it is protected from drips and splashes.
2. Plug the power cord into a grounded electrical outlet. Always unwind power cord completely before operating machine. Inspect power cord for damage before each use. Replace cord immediately if damaged.
3. Place the machine in the desired operating position.
 - A. Horizontal - dry floors and carpets
 - B. Tilted - dry floor finishes, paint, etc.
 - C. Vertical - dry wall and ceiling



4. Set the desired speed by turning switch.
5. Check for proper operation before leaving the machine unattended. Do not move or carry the machine when it is operating.
6. To shut-off machine, turn the switch to the off (O) position.
7. The machine is equipped with an automatic reset motor overload shut-off thermal sensor to protect motor from overheating. Should the shut-off thermal sensor trip, it will reset automatically when the motor has cooled sufficiently, usually after 15-30 minutes.

MACHINE MAINTENANCE

To keep machine in good working condition, simply perform the following maintenance procedures.

⚠ WARNING! Unplug cord from outlet when not in use and before servicing machine.

1. Inspect power cord for damage after each use. Replace power cord immediately if damaged.
2. Clean machine with a damp cloth.
3. Check for dust accumulation around the air inlet and outlet vents and clean if necessary. Blocked vents will cause the motor to overheat, and may lead to premature failure. Warranty claims for this type of damage will not be accepted.

STORING AND TRANSPORTING MACHINE

Neatly wrap power cord and store machine in a cool dry area. Do not expose to rain, store indoors.

Stack machines for storage as shown.

CAUTION: Do not stack beyond four high. Do not stack during transporting and secure with strap.



TROUBLE SHOOTING

⚠ WARNING!

Unplug cord from outlet when not in use and before servicing machine.

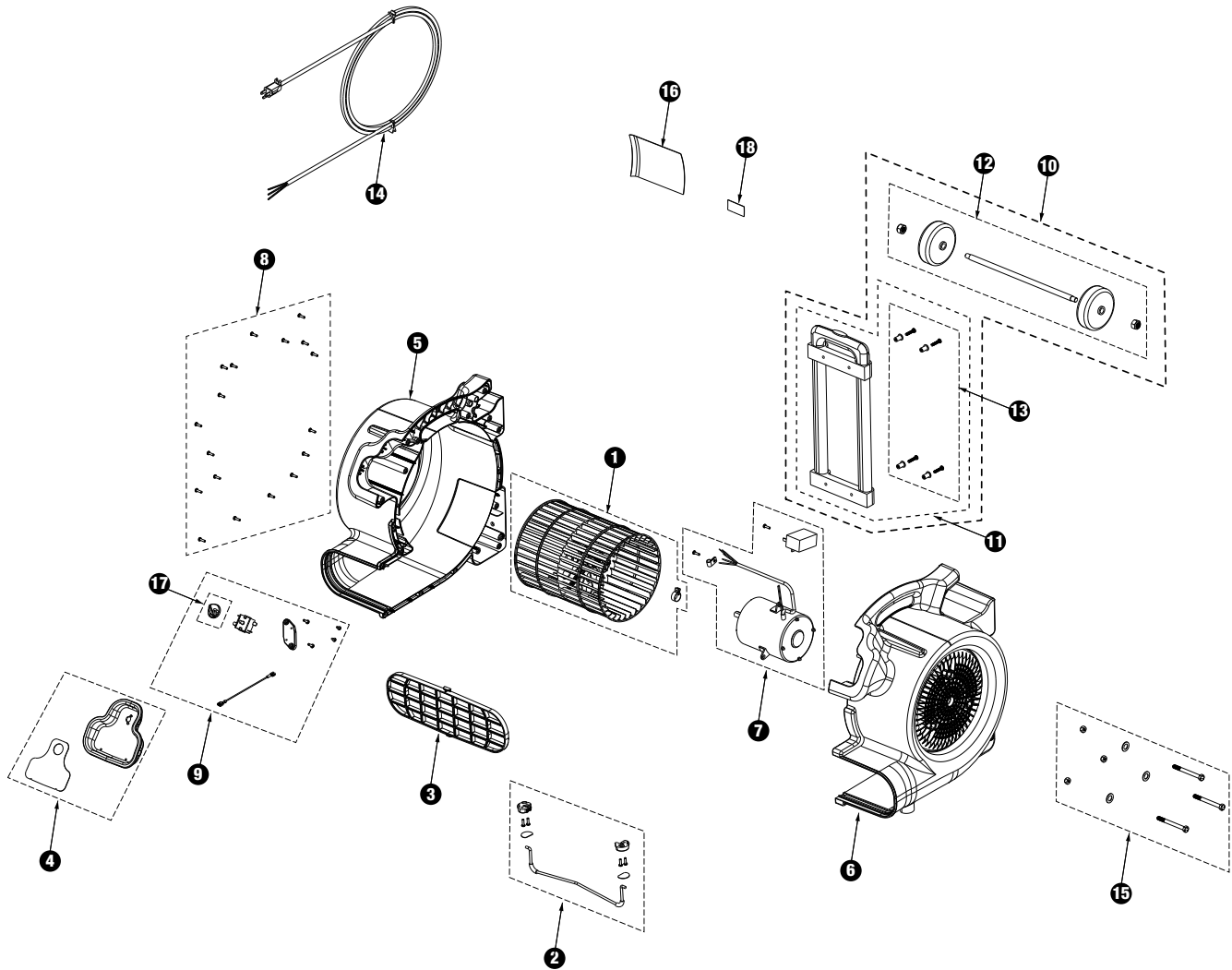
If machine fails to operate:

- Check power cord for damage.
- Check plug connection.
- Check building circuit breaker.
- Thermal sensor shut-off - wait 15-30 minutes to cool.
- Contact service center.

MACHINE SPECIFICATIONS

MODEL	3-SPEED BLOWER
Width x Height x Depth	15 in x 18.5 in x 18 in 38.1 cm x 47 cm x 45.7 cm
Weight	22.5 lb / 10.2 kg
Voltage / Frequency	120 V / 60 Hz
Motor Rating	.6 HP, 522 W, 4.35 A
Air Flow	3,800 feet per minute
Speeds - Low/Med/High	710 rpm/1105 rpm/1550 rpm
Power Cord Length	18.5 ft / 5.6 m
Sound Pressure Level LpA	69 dBA
Protection Grade	IP20

SCHEMATIC AND PARTS LIST



ITEM	PART NO.	DESCRIPTION	QTY
1	X1438	FAN ASSEMBLY	1
2	X1414	KICKSTAND ASSEMBLY	1
3	X1378	GRILL	1
4	X1440	CONTROL PANEL ASSEMBLY	1
5	X1370	HOUSING (LEFT)	1
6	X1371	HOUSING (RIGHT)	1
7	X1443	MOTOR AND CAPACITOR ASSEMBLY	1
8	A732-8314	HOUSING FASTENERS	18
9	X1419	WIRING AND SWITCH ASSEMBLY	1
10	X1420	WHEEL AND HANDLE ASSEMBLY KIT (DX Model)	1
11	X1423	HANDLE AND HARDWARE ASSEMBLY (DX Model)	1
12	X1422	WHEEL AND AXLE ASSEMBLY (DX Model)	1
13	X1416	HANDLE INSERT ASSEMBLY (DX Model)	1
14	X9719	CORD 18/3 SJTW 20FT.	1
15	X1417	MOTOR MOUNTING HARDWARE	1
16	X1556	WARNING LABEL	1
17	X1374	SWITCH KNOB	1
18	X1003	MADE IN USA LABEL	1
	X1415	WHOLE HOUSING, NOT ILLUSTRATED	1
	X1418	WIRING ASSEMBLY, NOT ILLUSTRATED	1

For warranty information go to www.Powr-Flite.com

Powr-Flite[®]

A Tacony Company
3101 Wichita Court • Ft. Worth, TX 76140-1755
1-800-880-2913 • Fax: 1-817-551-0719