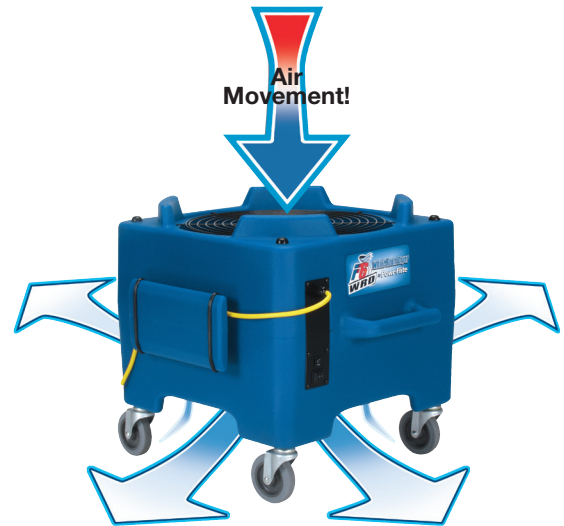


Powr-Flite®

OPERATOR'S MANUAL & PARTS LIST

COMMERCIAL DOWNDRAFT™ FAN PDF6WRD - PDF6WRD-2



WARNING: OPERATOR MUST READ AND UNDERSTAND THIS MANUAL COMPLETELY BEFORE OPERATING THIS EQUIPMENT.

Save These Instructions

IMPORTANT SAFETY INSTRUCTIONS

READ ALL INSTRUCTIONS BEFORE USING THIS APPLIANCE

When using an electrical appliance, basic precautions should always be followed.

WARNING: To reduce the risk of fire, electric shock or injury:

Do not leave machine when plugged in.

Do not leave machine connected to the electricity supply when not in use.

Do not leave the machine unattended while running.

Only use accessories or spares specifically designed for use with this appliance. The fitting of other accessories or spare parts may affect the machines performance and safety.

Unplug from outlet before servicing.

Use only as described in this manual. Use only manufacturer's recommended components and attachments.

Use only indoors. Do not use outdoors or expose to rain.

Do not use with damaged cord or plug. If appliance is not working as it should, has been dropped, damaged, left outdoors, or dropped into water, return it to an authorized service center.

Do not pull or carry by cord, use cord as a handle, close door on cord, or pull cord around sharp edges or corners. Keep cord away from heated surfaces.

Do not unplug by pulling on cord. To unplug, grasp the plug, not the cord.

Do not handle plug or appliance with wet hands.

Do not put any object into openings. Do not use with any opening blocked; keep free of dust, hair and anything that may reduce air flow.

Turn off all controls before unplugging.

Do not attempt to service the unit while appliance is plugged in.

Appliance may cause a fire when operating near flammable vapors or materials. Do not operate this machine near flammable fluids, dust or vapors.

Connect to a properly grounded outlet.

Do not use with any solid state speed control device.

This unit is thermally protected.

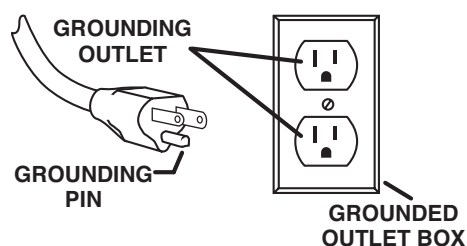
GROUNDING INSTRUCTIONS

This appliance must be grounded. If it should malfunction or breakdown, grounding provides a path of least resistance for electric current to reduce the risk electric shock. This machine is equipped with a cord having an equipment grounding conductor and grounding plug. The plug must be inserted into an appropriate outlet that is properly installed and grounded in accordance with all local codes and ordinances.

WARNING: Improper connection of the equipment-grounding conductor can result in a risk of electric shock. Check with a qualified electrician or service person if you are in doubt as to whether the outlet is properly grounded. Do not modify the plug provided with the appliance - if it will not fit the outlet, have a proper outlet installed by a qualified electrician.

This appliance is for use on a nominal 120-volt circuit, and has a grounding plug that looks like the plug illustrated in sketch A

*This applies only to North America. Most other countries use 230V circuit.



A

SAVE THESE INSTRUCTIONS

OPERATING INSTRUCTIONS

1. Plug in to a standard outlet with the correct voltage and amperage for the unit.
2. Place the dryer in the desired operating position.
3. Set the switch at the desired speed: low or high.
4. Check for proper operation before leaving the unit unattended.

Do not move or carry the dryer when it is running.

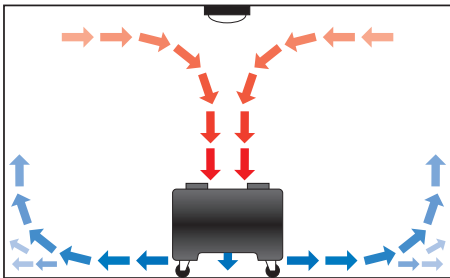
5 AMP Resettable Circuit Breaker

The F6 Whole Room Dryer™ features a 5 amp circuit breaker that will “trip” if more than 5 amps of electrical current is drawn through the cord.

Operating Positions

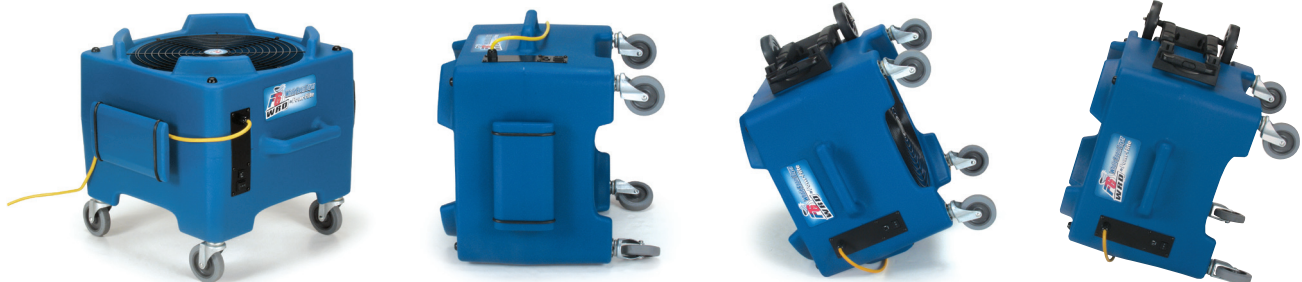
The F6 is designed to operate in multiple positions for any type of drying.

1. **Face Down** – Set the F6 on the four caster wheels to direct air straight down. Turn each caster to a 45° angle to the housing for best airflow.
2. **Tilt Back** – Tilt the F6 backward on the four curved molded legs at an angle to direct air for elevated drying.
3. **Upright** – Set the F6 square with the handle on the top to direct air across a room.
4. **Tilt Forward** – Tilt the F6 forward on the “standing legs at an angle to direct airflow along the flow in front of the dryer.
5. **Stack for Storage** – the F6 Powr-Dryer interlock and stack for easy storage and transport.



WARNING

Do not stack dryers more than 4 (four) units high for transport, 5 (five) units high for storage.



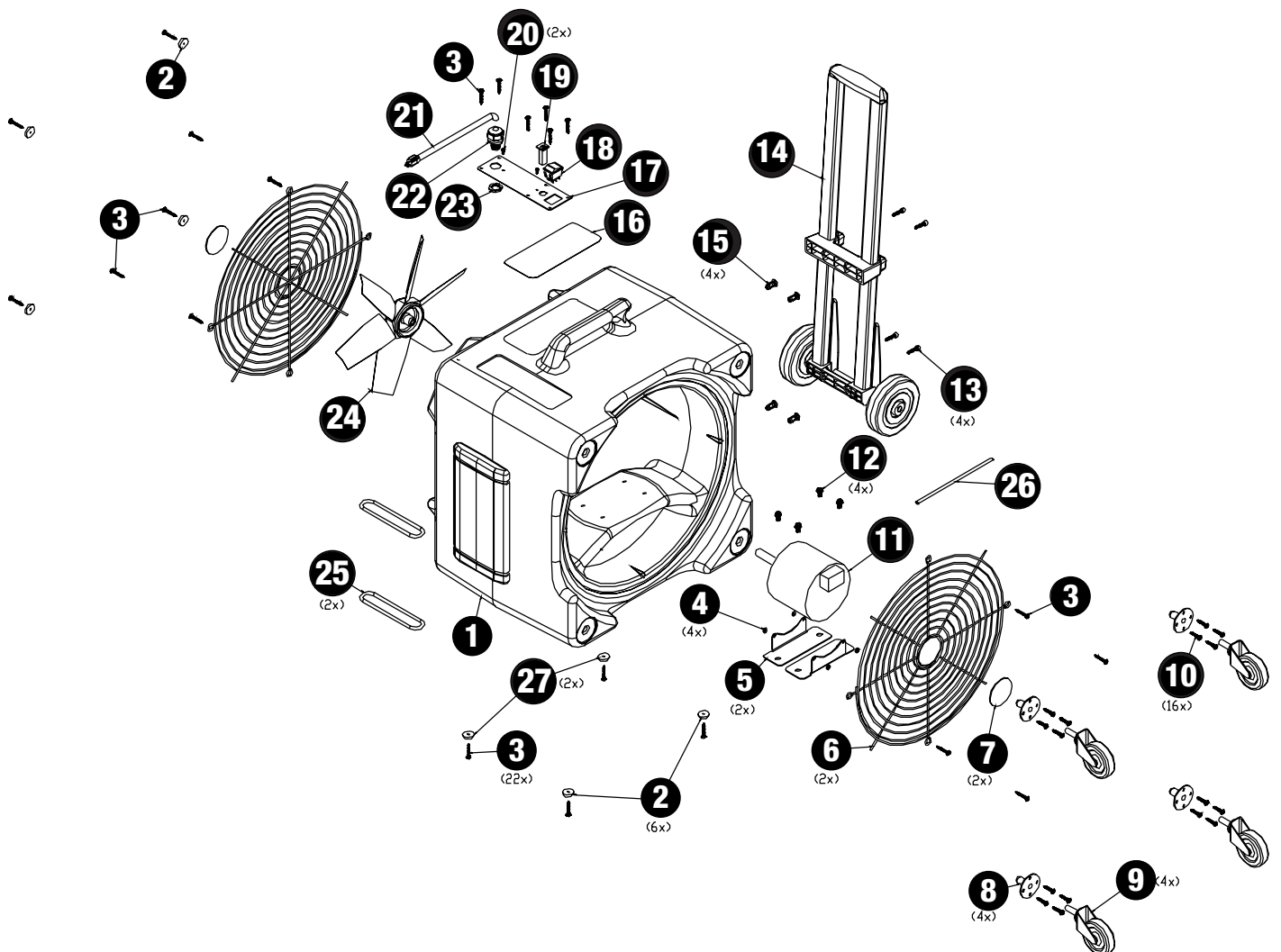
FOR BEST PERFORMANCE

- Keep machine clean and in good operating condition.
- Have machine checked periodically by an authorized service center.
- Use only authorized service centers for parts or service.
- Store machine carefully in dry area.
- For optimum drying performance and safety, study and follow your operators manual.

MAINTENANCE/TROUBLE SHOOTING

Trouble Shooting (if the dryer will not run)

1. Check electrical cord; is it firmly seated in wall outlet
2. Check if dryer circuit breaker is tripped, reset if necessary.
3. Check to see if building circuit breaker is tripped. If circuit is overloaded, move the cord to a different outlet.
4. If using an extension cord, make sure it is in good condition, proper gauge and firmly connected.



ref#	part #	description
01	X9180	Housing, Axial Fan
02	PD3C	Foot, Black Rubber, Short
03	X9098	Screw, #10 x 1", A point, Pan Head
04	X8260	Nut, 8-32 Lock, w/ Nylon Inserts
05	72719A	Bracket, Axial Fan Motor
06	X9183	Grill Axial Fan
07	X9189	Label, Round (at grill)
08	X9195	Caster Receiver
09	P50	Wheel and Socket
10	72020A	Screw, Self-Tap, PHMS, Zinc, #12 x 1"
11	X9181-120	Motor, 115 VAC, .25 HP, 4-Pole
	X9191-230	Motor 230V .25 HP 4 Pole
12	X8209S	Screw, 1/4-20 x 1/2", Self Locking Flange
13	X9065	Screw, Hex Socket Cap, 1/4-20 x 1"
14	X8990N	Handle / Wheel Assembly, Narrow
15	X8848	Jacknut, 1/4-20, Steel, #8LJN
16	X9190	Label, Product
17	72721B	Switch Panel
18	X9048	Rocker Switch
19	X9262	Circuit Breaker, 5A
20	X9188	Screw, 6-32 x 3/8", Black MS
21	X8926	20' HD, 3-wire cord, 16/3 SJTW, 115 volts
	71912A	Cord 14/3 35" Black w/Euro Plug
22	PD8	Strain Relief, 1/2" NPT
23	X8008N	Nut, Lock, 1/2" Steel Conduit
24	X9182-6	Fan Blade Assembly
25	F631	Round Belt
26	72470A	Heat Shrink, Blk, 1/2" x 200',
27	PD3B	Foot, Black Rubber, Tall

For warranty information go to www.Powr-Flite.com

Powr-Flite[®]

A Tacony Company

3101 Wichita Court • Fort Worth, TX 76140-1755
1-800-880-2913 • Fax: 1-817-551-0719