

Powr-Flite®

OPERATOR'S MANUAL & PARTS LIST

COMMERCIAL AXIAL FAN PDF5DX



**WARNING: OPERATOR MUST READ AND UNDERSTAND THIS MANUAL
COMPLETELY BEFORE OPERATING THIS EQUIPMENT.**

Save These Instructions

SAFETY WARNINGS AND PRECAUTIONS

 **WARNING** Read all instructions before using. Save These Instructions. Following the cleaning instructions will prolong the life of your Powr-Flite Dryer.

When using an electrical appliance, basic precautions should always be followed.

- Use only as instructed in this manual. Use only the recommended attachments and replacement parts.
- Do not leave machine when plugged in.
- Do not leave machine connected to the electricity supply when not in use.
- Do not leave the machine unattended while running.
- Only use accessories or spares specifically designed for use with this appliance.
- The fitting of other accessories or spare parts may affect the machines performance and safety.
- Use only indoors. Do not use outdoors or expose to rain.
- If the unit is not working as it should, has been dropped, damaged, left outdoors, or exposed to water, return it to a service center before using.
- Do not use with damaged cord or plug.
- Do not kink or twist the power cord.
- Do not pull or carry by the cord, use the cord as a handle, close a door on cord, or pull cord around sharp edges or corner. Keep cord away from heated surfaces.
- Do not pull on the cord to unplug. Grasp and pull the plug, not the cord. Turn off the dryer before unplugging.
- Do not handle the cord, plug, switch or dryer with wet hands.
- Do not use outlets with inadequate current capacity.
- Do not put any objects into openings. Do not use with any opening blocked. Keep free of dust, lint, hair and anything that might reduce airflow.
- Keep hair, loose clothing, fingers, and all parts of body away from openings and moving parts.
- Do not use near combustible liquids, gases, or dusts, such as gasoline or other fuels, lighter fluid, cleaners, oil-based paints, or natural gas, or anything that is burning or smoking, such as cigarettes, matches, or hot ashes.
- Do not operate near draperies or another material that could block the air intakes.
- Keep air intakes clear. Reduced airflow can cause motor to overheat.
- Keep children and unauthorized persons away from the dryer when in use.
- This machine is not intended for use by persons with reduced physical, sensory or mental capabilities, or lack of experience and knowledge.
- Do not attempt to service the dryer yourself. Repair by anyone other than an authorized repair service center may void the warranty.
- Store in dry area.
- Do not use an extension cord with this dryer.

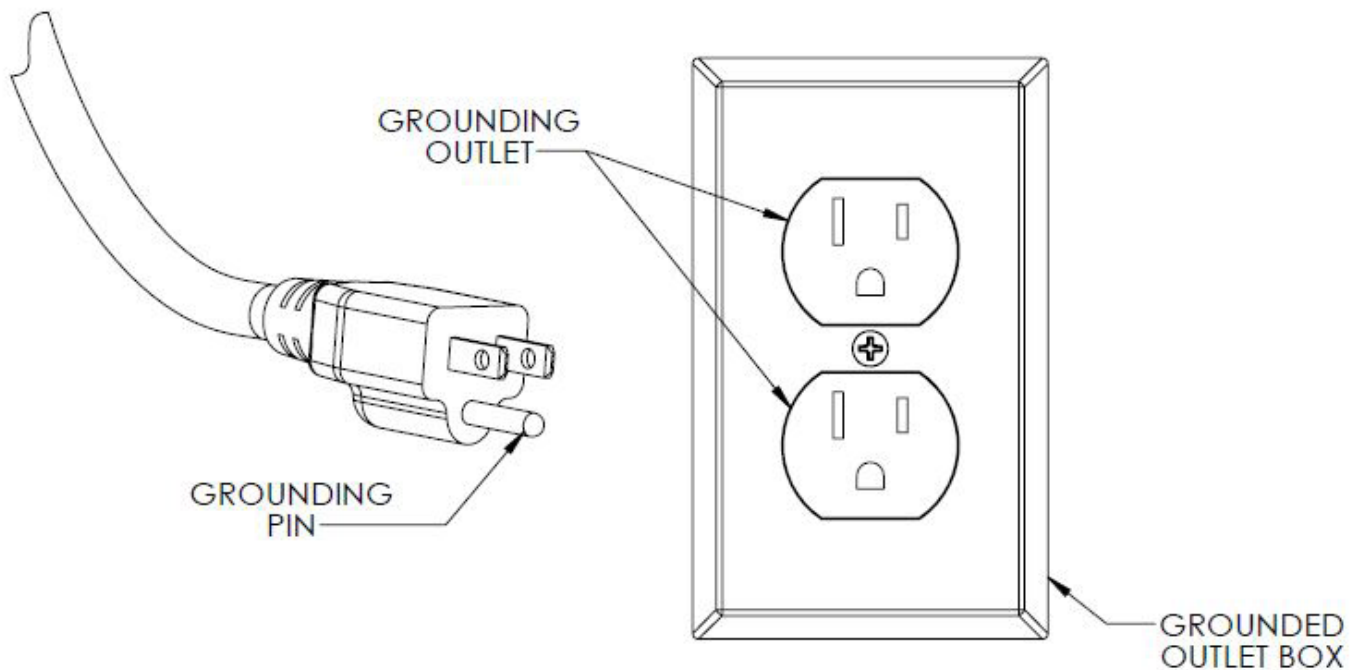
 **WARNING** To reduce the risk of fire or electric shock, do not use this fan with any solid-state speed control device.

GROUNDING INSTRUCTIONS

This appliance must be grounded. If it should malfunction or breakdown, grounding provides a path of least resistance for electric current to reduce the risk electric shock. This machine is equipped with a cord having an equipment grounding conductor and grounding plug. The plug must be inserted into an appropriate outlet that is properly installed and grounded in accordance with all local codes and ordinances.

WARNING: Improper connection of the equipment-grounding conductor can result in a risk of electric shock. Check with a qualified electrician or service person if you are in doubt as to whether the outlet is properly grounded. Do not modify the plug provided with the appliance - if it will not fit the outlet, have a proper outlet installed by a qualified electrician.

This appliance is for use on a nominal 115-volt circuit, and has a grounding plug that looks like the plug illustrated in sketch A



A



OPERATING INSTRUCTIONS

1. Plug in to a standard outlet with the correct voltage and amperage for the unit.
2. Place the dryer in the desired operating position.
3. Set the switch at the desired speed: low or high.
4. Check for proper operation before leaving the unit unattended.

Do not move or carry the dryer when it is running.

Daisy-chained: Up to 6 units may be plugged into on a single 15 amp circuit and up to 9 on a 20 amp circuit. The F5 is equipped with dual power outlets that will allow you to “daisy chain” up to 5 units units. Do not “daisy chain” more than 5 units. The F5 power system has a 12 amp circuit breaker built in that will trip if more than 5 units are “daisy chained” from a single machine.

12 AMP Resettable Circuit Breaker

The F5 Powr-Dryer features a 12 amp circuit breaker that will “trip” if more than 12 amps of electrical current is drawn through the cord.

GFCI Protection and Outlet

The F5 Powr-Dryer provides a standard duplex GFCI outlet for daisy-chaining multiple units together. The GFCI protection promotes operator safety and will “trip” is an electrical ground fault is sensed. To test the GFCI protection, press the TEST button. If operating properly, the RESET button on the GFCI outlet will pop out.

Operating Positions

The F5 Powr-Dryer is designed to operate in multiple positions for any type of drying.

1. **Tilt Back** – Tilt the F5 backward on the four curved molded legs at an angle to direct air for elevated drying.
2. **Upright** – Set the F5 square with the handle on the top to direct air across a room.
3. **Tilt Forward** – Tilt the F5 forward on the “standing legs at an angle to direct airflow along the flow in front of the dryer.
4. **Face Down** – Set the F5 on the four curved molded legs with the “standing legs” facing up to direct air straight down.
5. **Powr Pitch** – Model PDF5 is equipped with a 3° down angle leg.
6. **Stack for Storage** – the F5 Powr-Dryer interlock and stack for easy storage and transport.



2 position switch and daisy-chained outlets



Cord wrap



FOR BEST PERFORMANCE

- Keep machine clean and in good operating condition.
- Have machine checked periodically by your authorized service center.
- Use only authorized service centers for parts or service
- Store machine carefully in dry area.
- For optimum drying performance and safety, study and follow your operators manual.

MAINTENANCE/TROUBLE SHOOTING

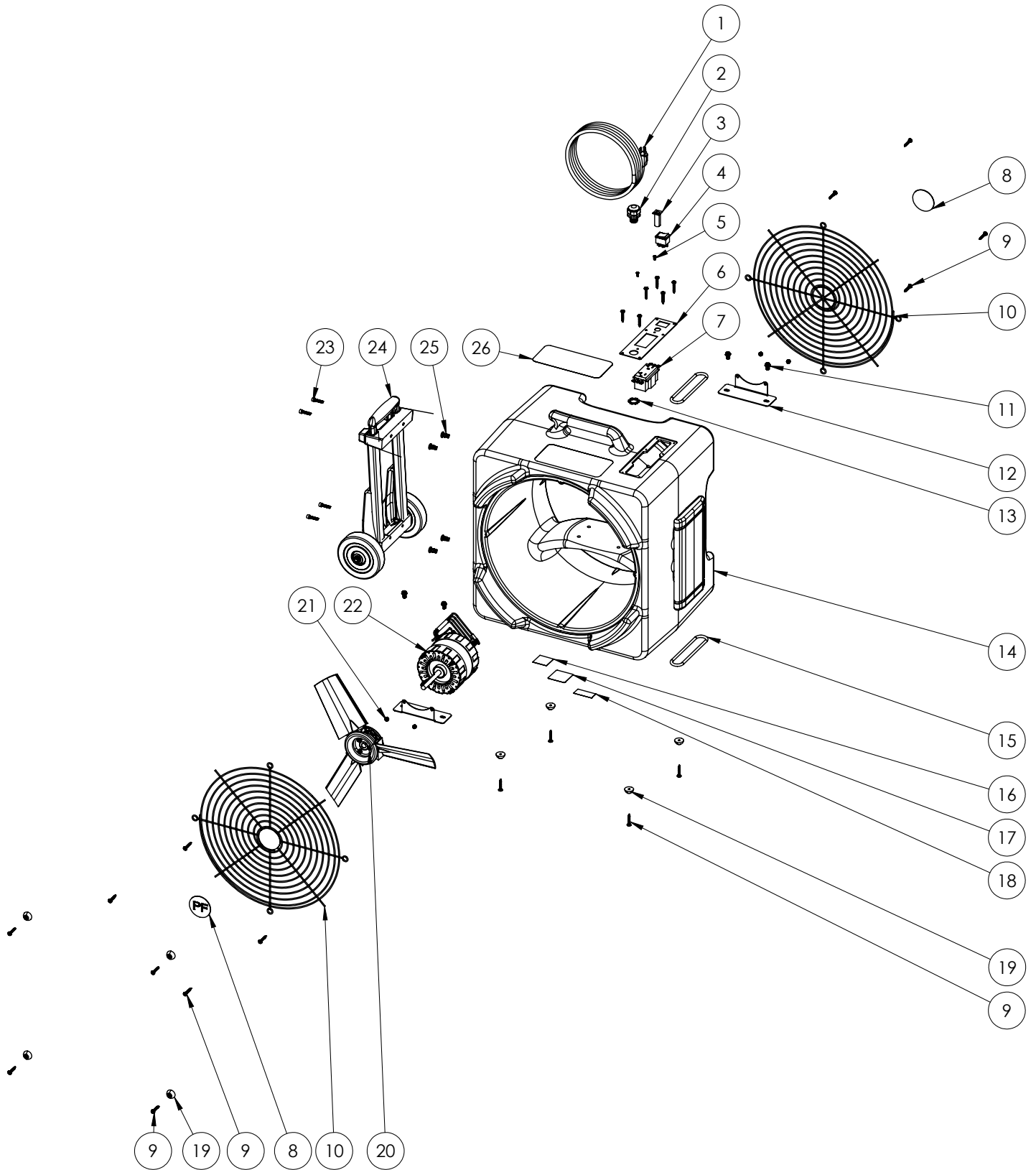
Periodic Maintenance

1. Check power cord for any breaks, separations or cuts.
2. Make sure the ground pin or grounding prong is intact or the machine will be unsafe to operate.

Trouble Shooting (if the dryer will not run)

1. Check electrical cord; is it firmly seated in wall outlet
2. Check GFCI and reset if tripped
3. Check if dryer circuit breaker is tripped, reset if necessary.
4. Check to see if building circuit breaker is tripped. If circuit is overloaded, move cord to different GFCI outlet.
5. If using an extension cord, make sure it is in good condition, proper gauge and firmly connected.

SCHEMATIC AND PARTS LIST



SCHEMATIC AND PARTS LIST

No.	Part No.	Qty	Description
1	X8926	1	Power Cord 20', Yellow, 16/3 SJTW, 115V
2	PD8	1	Strain Relief
3	X9186	1	Circuit Breaker 12Amp
4	X9048	1	Rocker Switch
5	X9188	2	Screw 6-32 x 3/8"
6	72721A	1	Switch Panel
7	X9187	1	GFCI Outlet
8	X9189	2	Round Grill Label
9	X9098	22	Screw #10 x 1"
10	X9183	2	Grill
11	X8209S	4	Screw 1/4-20 x 1/2"
12	72719A	2	Motor Bracket
13	X8008N	1	Lock Nut 1/2" Steel Conduit Appleton
14	X9180	1	Housing
15	F631	2	Belt
16	X1003	1	Made In The USA Label
17	X8459	1	Serial Number Label
18	X8976	1	Warning Label
19	PD3C	8	Short Rubber Foot
20	X9182P50	1	Fan Blade Assembly 50 Degree 3 Blade
21	X8260	4	Nyloc Nut
22	X9181-120	1	Motor 115 VAC, .25Hp
23	X1277	4	Screw 1/4-20 x 1-1/4"
24	X8990N	1	Handle/Wheel Assembly
25	X8848	4	Jacknut
26	X9190	1	Top Label
Not Shown	X2501	1	Caution Sign

For warranty information go to www.Powr-Flite.com

Powr-Flite[®]

A Tacony Company

3101 Wichita Court • Fort Worth, TX 76140-1755

1-800-880-2913 • Fax: 1-817-551-0719