

Spotter / Mini Extractor

Operating instructions (ENG)

Model: 1.003-012.0



From Serial Number (Ref No1*)
*See Serial Number page
in Spare Parts List
or call manufacturer

Machine Data Label

Model: _____

Date of Purchase: _____

Serial Number: _____

Dealer: _____

Address: _____

Phone Number: _____

Sales Representative: _____

Warranty Registration

Thank you for purchasing a Kärcher North America product. Warranty registration is quick and easy. Your registration will allow us to serve you better over the lifetime of the product.

To register your product go to :

<http://warranty.karcherna.com/>

For customer assistance:

1-800-444-7654

Machine Data Label 2
Table of Contents 3
How To Use This Manual 4

Safety

IMPORTANT SAFETY INSTRUCTIONS 5
CONSIGNES DE SÉCURITÉ IMPORTANTES . . 6
HAZARD INTENSITY LEVEL 7
NIVEAU D'INTENSITÉ DU DANGER 8
Grounding Instructions 9

Operations

Set-up and Operation 10

Maintenance

Daily Maintenance 12
Periodic Maintenance 12
Shut Down and Storage 12
Solution Pump Replacement 12
Vacuum Motor Replacement 13
Troubleshooting 14
Suggested Spare Parts 15

How To Use This Manual

This manual contains the following sections:

- How to Use This Manual
- Safety
- Operations
- Maintenance
- Suggested Spare Parts

The HOW TO USE THIS MANUAL section will tell you how to find important information for ordering correct repair parts.

Parts may be ordered from authorized dealers. When placing an order for parts, the machine model and machine serial number are important. Refer to the MACHINE DATA box which is filled out during the installation of your machine. The MACHINE DATA box is located on the inside of the front cover of this manual.

Model: _____
Date of Purchase: _____
Serial Number: _____
Dealer: _____
Address: _____
Phone Number: _____
Sales Representative: _____

The model and serial number of your machine is located on the back of the machine.

The SAFETY section contains important information regarding hazardous or unsafe practices of the machine. Levels of hazards are identified that could result in product damage, personal injury, or severe injury resulting in death.

The OPERATIONS section is to familiarize the operator with the operation and function of the machine.

The MAINTENANCE section contains preventive maintenance to keep the machine and its components in good working condition. They are listed in this general order:

- Storage
- Maintenance
- Troubleshooting

NOTE: If a service or option kit is installed on your machine, be sure to keep the KIT INSTRUCTIONS which came with the kit. It contains replacement parts numbers needed for ordering future parts.

NOTE: The manual part number is located on the lower right corner of the front cover.

IMPORTANT SAFETY INSTRUCTIONS

**When using this machine, basic precaution must always be followed, including the following:
READ ALL INSTRUCTIONS BEFORE USING THIS MACHINE.**

! WARNING:

To reduce the risk of fire, electric shock, or injury:

Use only indoors. Do not use outdoors or expose to rain.

Use only as described in this manual. Use only manufacturer's recommended components and attachments.

If the machine is not working properly, has been dropped, damaged, left outdoors, or dropped into water, return it to an authorized service center.

Do not operate the machine with any openings blocked. Keep openings free of debris that may reduce airflow.

This machine is not suitable for picking up hazardous dust.

Do not operate this machine near flammable fluids, dust or vapors.

During operation, attention shall be paid to other persons, especially children.

When leaving unattended, secure against unintentional movement.

The machine shall only be operated by instructed and authorized persons.

When leaving unattended, switch off or lock the main power switch to prevent unauthorized use.

Do not handle the plug or machine with wet hands.

Do not unplug machine by pulling on cord. To unplug, grasp the plug, not the cord.

Do not use with damaged cord or plug. Follow all instructions in this manual concerning grounding the machine.

Do not pull or carry by cord, use cord as a handle, close a door on cord, or pull cord around sharp edges or corners.

Do not pull/run machine over cord. Keep cord away from heated surfaces.

Connect to a properly grounded outlet. See Grounding Instructions.

READ AND SAVE THESE INSTRUCTIONS

CONSIGNES DE SÉCURITÉ IMPORTANTES

Lors de l'utilisation de cette machine, des précautions de base doivent toujours être prises, y compris les précautions suivantes :
LIRE TOUTES LES INSTRUCTIONS AVANT D'UTILISER CETTE MACHINE.

⚠ AVERTISSEMENT: Pour réduire le risque d'incendie, d'électrocution ou de blessure :

N'utiliser cette machine qu'en intérieur. Ne jamais l'utiliser à l'extérieur ou dans la pluie.

N'utiliser cette machine que comme décrit dans le présent manuel. N'utiliser que les composants et les accessoires conseillés par le fabricant.

Lorsque la machine ne fonctionnant pas correctement, a fait l'objet d'une chute ou d'une détérioration, a été laissée à l'extérieur, est tombée dans l'eau, la retourner au centre de service agréé.

Ne pas opérer la machine lorsque les conduits de ventilation sont bloqués. Débarrasser les débris des conduits, car ils peuvent réduire l'écoulement d'air.

Cette machine n'est pas adaptée au ramassage de poussières dangereuses.

Ne pas l'utiliser près de liquides, de poussières ou de vapeurs inflammables.

Cette machine est destinée à un usage commercial. Elle est recommandée davantage pour les domaines hôtelier, scolaire, hospitalier, industriel ou pour les bureaux, les chaînes de magasin, que pour un usage domestique normal.

L'entretien et les réparations de la machine doivent être effectuées par un personnel qualifié.

Durant la manoeuvre de la machine, prendre garde aux personnes environnantes et notamment aux enfants.

Lorsque la machine est laissée sans surveillance, s'assurer qu'elle ne se déplace pas de manière accidentelle.

Cette machine ne doit être manoeuvrée que par un personnel expérimenté et qualifié.

Lorsque la machine est laissée sans surveillance, la mettre hors tension ou verrouiller l'interrupteur principal afin d'empêcher un emploi non autorisé.

Ne pas toucher la fiche ou l'appareil lorsque vos mains sont humides.

Ne pas débrancher en tirant sur le cordon. Tirer plutôt la fiche.

Ne pas utiliser si le cordon ou la fiche est endommagé

Ne pas tirer soulever ou traîner l'appareil par le cordon. Ne pas utiliser le cordon comme une poignée, le coincer dans l'embrasure d'une porte ou l'appuyer contre des arêtes vives ou des coins.

Ne pas faire rouler l'appareil sur le cordon. Garder le cordon à l'écart des surfaces chaudes.

Cet appareil ne doit être connecter qu'a des prises ayant une sortie de terre. Se reporter aux instructions de mise à la terre.

LIRE ET CONSERVER CES INSTRUCTIONS

The following symbols are used throughout this guide as indicated in their descriptions:

HAZARD INTENSITY LEVEL

There are three levels of hazard intensity identified by signal words -**WARNING** and **CAUTION** and **FOR SAFETY**. The level of hazard intensity is determined by the following definitions:



WARNING - Hazards or unsafe practices which COULD result in severe personal injury or death.



CAUTION - Hazards or unsafe practices which could result in minor personal injury or product or property damage.

FOR SAFETY: To Identify actions which must be followed for safe operation of equipment.

Report machine damage or faulty operation immediately. Do not use the machine if it is not in proper operating condition. Following is information that signals some potentially dangerous conditions to the operator or the equipment. Read this information carefully. Know when these conditions can exist. Locate all safety devices on the machine. Please take the necessary steps to train the machine operating personnel.

FOR SAFETY:

DO NOT OPERATE MACHINE:

Unless Trained and Authorized.

Unless Operation Guide is Read and understood.

In Flammable or Explosive areas.

In areas with possible falling objects

WHEN SERVICING MACHINE:

Avoid moving parts. Do not wear loose clothing; jackets, shirts, or sleeves when working on the machine. Use manufacturer approved replacement parts.

Safety

Les symboles suivants sont utilisés dans tout ce manuel, tels que décrits ici :

NIVEAU D'INTENSITÉ DU DANGER

Il existe trois niveaux d'intensité du danger, identifiés par des termes d'avertissement - **AVERTISSEMENT**, **ATTENTION** et **POUR VOTRE SÉCURITÉ**. Le niveau d'intensité du danger est déterminé par les définitions suivantes :

AVERTISSEMENT:

AVERTISSEMENT - Les dangers ou des pratiques contraires à la sécurité qui POURRAIENT entraîner des blessures personnelles ou la mort.

ATTENTION:

ATTENTION - Les dangers ou des pratiques contraires à la sécurité qui pourraient entraîner des blessures personnelles légères ou des dégâts sur le produit ou d'autres biens.

POUR DES RAISONS DE SÉCURITÉ : Pour identifier les actions qui doivent être exécutées pour un fonctionnement sûr de l'équipement.

Signaler immédiatement tout dommage subi par la machine ou fonctionnement défectueux. Ne pas utiliser la machine si elle ne fonctionne pas correctement. Ci-dessous se trouvent les informations indiquant les conditions potentiellement dangereuses pour l'opérateur ou l'équipement. Lire attentivement ces informations. Être conscient que ces conditions peuvent survenir. Repérer tous les dispositifs de sécurité sur la machine. Suivre les étapes nécessaires de formation du personnel qui utilise la machine.

POUR DES RAISONS DE SÉCURITÉ :

NE PAS FAIRE FONCTIONNER LA MACHINE :

Sauf si le personnel est formé et autorisé.

Sauf si le manuel d'utilisation est lu et compris.

Dans des zones inflammables ou explosives.

Dans des zones contenant des objets susceptibles de tomber

LORS DE L'ENTRETIEN DE LA MACHINE :

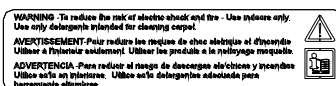
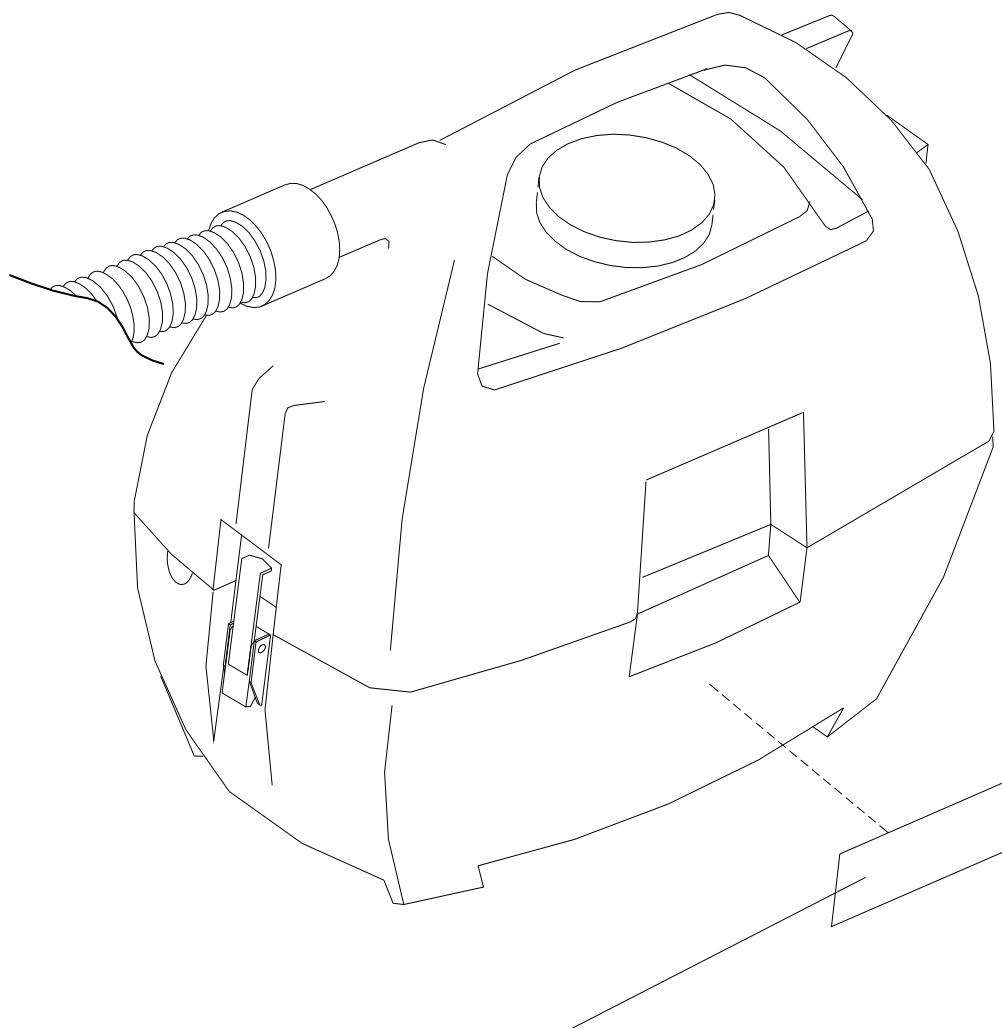
Éviter les pièces mobiles. Ne pas porter de vêtements, vestes, chemises ou manches vagues lors de l'entretien de la machine. Utiliser les pièces de rechange approuvées par le fabricant.

Safety Labels

NOTE: These drawings indicate the location of safety labels on the machine. If at any time the labels become illegible, promptly replace them.

Emplacement De L'étiquette De Sécurité

REMARQUE : Ces dessins indiquent l'emplacement des étiquettes de sécurité sur la machine. Si, à tout moment, les étiquettes deviennent illisibles, contactez votre représentant autorisé pour un remplacement rapide.



WARNING LABEL
86220140

Safety

Grounding Instructions

THIS PRODUCT IS FOR COMMERCIAL USE ONLY.

Electrical:

In the USA this machine operates on a standard 15 amp 115V, 60 hz, A.C. power circuit. The amp, hertz, and voltage are listed on the data label found on each machine. Using voltages above or below those indicated on the data label will cause serious damage to the motors.

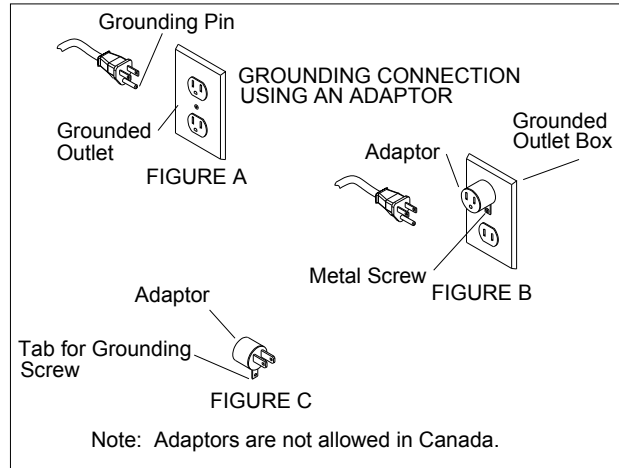
Extension Cords:

If an extension cord is used, the wire size must be at least one size larger than the power cord on the machine, and must be limited to 50 feet (15.5m) in length.

Grounding Instructions:

This appliance must be grounded. If it should malfunction or break down, grounding provides a path of least resistance for electric current to reduce the risk of electric shock. This appliance is equipped with a cord having an equipment-grounding conductor and grounding plug. The plug must be inserted into an appropriate outlet that is properly installed and grounded in accordance with all local codes and ordinances.

This appliance is for use on a nominal 120-volt circuit, and has a grounded plug that looks like the plug in "Fig. A". A temporary adaptor that looks like the adaptor in "Fig. C" may be used to connect this plug to a 2-pole receptacle as shown in "Fig. B", if a properly grounded outlet is not available. The temporary adaptor should be used only until a properly grounded outlet (Fig. A) can be installed by a qualified electrician. The green colored rigid ear, lug, or wire extending from the adaptor must be connected to a permanent ground such as a properly grounded outlet box cover. Whenever the adaptor is used, it must be held in place by a metal screw.



⚠ WARNING:

Improper connection of the equipment-grounding conductor can result in a risk of electric shock. Check with a qualified electrician or service person if you are in doubt as to whether the outlet is properly grounded. Do not modify the plug provided with the appliance - if it will not fit the outlet, have a proper outlet installed by a qualified electrician.

⚠ AVERTISSEMENT:

Le raccordement incorrect du conducteur de terre d'équipement peut entraîner des risques d'électrocution. Vérifiez auprès d'un électricien qualifié ou d'un responsable de l'entretien si vous avez quelque doute que ce soit quant au raccordement à la terre de votre prise murale. Ne modifiez pas la fiche fournie avec l'appareil : si elle ne correspond pas à la prise murale, faites installer une prise adéquate par un électricien qualifié.

Set-up and Operation

1. Upon removing your new mini-extractor from the box, loosen the latch at back end of the machine that secures the recovery tank to the solution tank. Remove the recovery tank from the solution tank.
2. Pour clean, hot water to the indicated fill line of the solution tank. To avoid possible tank distortion, water temperature must not exceed 140 F (60C).
3. Add a non-foaming cleaning solution concentrate, for use in hot water extractors at the proportions noted on the container (See list below), into solution tank.
4. Place the recovery tank back onto the solution tank and refasten the latch.
5. Plug the power cord into grounded outlet (See GROUNDING INSTRUCTIONS).
6. Connect the vacuum and cleaning tool hoses to the extractor. This unit is equipped with an 1/8" male quick connect for solution hose attachment and a 1" ID vacuum hose hookup. Insure that the female solution hose coupler is securely locked onto the male coupler on the extractor.
7. Turn switch ON. This switch operates both the vacuum motor and the water pump. NOTE: The pump is an oscillating pump and should not be run dry for extended periods of time. This may cause damage to your pump, therefore voiding your warranty.
8. Squeeze the solution lever on the cleaning tool to spray cleaning solution and place the vacuum head on the surface to be cleaned. Normally, chemical is applied on the push stroke while vacuuming is done on the pull stroke. For heavily soiled carpets the hand tool may be used in the scrubbing manner, applying chemical in both the push and pull stroke. Always finish up an area with a vacuum pull stroke.
9. When cleaning, be sure to monitor the level of recovered solution in the recovery tank. When the solution reaches the FULL mark, shut off the extractor, loosen the latches and empty the recovery tank.

NOTE: Dispose of waste in a proper manner which would not violate any Local, State or Federal law.

! CAUTION:

Operating vacuum with solution above the FULL mark could draw water directly into the vac motor. This will cause damage to the motor, therefore voiding your warranty.

! ATTENTION:

L'utilisation de l'aspirateur avec la solution dépassant la marque FULL (PLEIN) pourrait entraîner l'eau directement dans le moteur d'aspiration. Cela pourrait endommager le moteur et annuler votre garantie.

! CAUTION:

Always Test Upholstery/carpet For Color Fastness In An Inconspicuous Place. Also, To Avoid Prolonged Drying Times, Do Not Spray Too Much Solution In Any One Area.

! ATTENTION:

Testez Toujours La Solidité Des Teintures De La Tapisserie / Du Tapis Dans Un Endroit Peu Visible. Aussi, Pour Éviter Les Temps De Séchage Prolongés, Ne Pulvérisez Pas Trop De Solution Dans Un Seul Endroit.

! CAUTION:

Always use defoamer if foaming occurs. Foam will suspend large particles which may damage vacuum as well as allow liquid into the vacuum motor without activating the float shutoff.

! ATTENTION:

Utilisez toujours des anti-mousses, en cas de formation de mousse. La mousse suspendra les grosses particules qui peuvent endommager l'aspirateur et laissera le liquide s'écouler dans le moteur de l'aspirateur sans entraîner l'arrêt du flotteur.

! CAUTION:

To prevent possible disease hazard, before attempting to clean bodily fluids spills, you must kill any viruses, germs or bacteria present in the bodily fluid.

! ATTENTION:

Pour éviter tout risque possible de maladie, avant de tenter de nettoyer les déversements de fluides corporels, il faut tuer tous les virus, germes ou bactéries présents dans le fluide corporel.

SUITABLE CHEMICALS	IMCOMPATIBLE CHEMICALS
Alkalis	Aldehydes
Clorox II Bleach*	Aromatic Hydrocarbons
Defoaming Agents	Butyls
Detergents	Carbon Tetrachloride
Hydroxides	Clorox*
Oxygen Bleaches	Chlorinated Bleaches
Soaps	Chlorinated Hydrocarbons
Sta-Puf Fabric Softener*	D-Limonene
Vinegar	Lysol*
-	Methyls (MEK)
-	Perchloroethylene (perc)
-	Phenols
-	Trichloroethylene

*Registered Trademark

Maintenance

Daily Maintenance

Follow same procedure for Shut Down and Storage.

Periodic Maintenance

1. Twice a month, flush a white vinegar solution (one quart vinegar to two gallons water) or anti-browning solution (mixed as directed) through the extractor. This will prevent build-up of alkaline residue in the system.
2. If spray jet becomes clogged, remove the spray tip, wash it thoroughly, and blow dry.

NOTE: Do Not Use Pins, Wire, Etc. To Clean Nozzle As This Could Destroy The Spray Pattern.

3. Apply silicone lubricant to solution nipple.
4. Periodically inspect all hoses, electrical cable and connections on your machine. Frayed or cracked hoses should be repaired or replaced to eliminate vacuum or solution pressure loss. If the cable insulation on the power cord is broken or frayed, repair or replace immediately. Don't take chances with electrical fire or shock.

WARNING:

Before making any adjustments or performing any maintenance to your machine, disconnect the power cord from the electrical source.

AVERTISSEMENT:

Retirez le cordon d'alimentation de la machine de la source électrique avant de procéder à des réparations ou des ajustements de la machine.

Shut Down and Storage

1. Turn Switch OFF. Empty recovery tank completely and rinse several times to remove any dirt or debris that may be left behind.
2. Tip the solution tank over a sink to drain any unused cleaning solution and rinse with clean water to remove any suds left behind by the cleaning chemicals.

NOTE: Dispose of waste in a proper manner which would not violate any Local, State or Federal law

3. Run a small amount of clean water through pump if chemicals were used. This will help insure the life of your pump.
4. Check the spray jet on the cleaning tool for full spray pattern and inspect vac head for any obstructions. Also make sure to clean the filter cap attached to portal cover of any debris that may have been trapped during cleaning.
5. Remove as much moisture from system before storing in cold climates. Excess water may freeze during storage and crack internal components, causing damage to the unit.

WARNING:

Only qualified maintenance personnel are to perform repairs.

AVERTISSEMENT:

Seul le personnel d'entretien qualifié peut effectuer des réparations.

Solution Pump Replacement

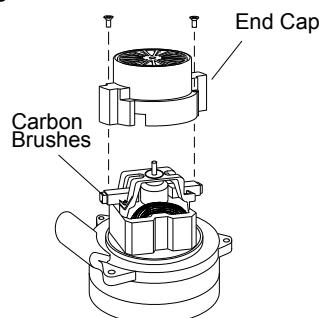
1. Turn off all switches and unplug the machine.
2. Unlatch and remove recovery tank.
3. Unfasten screws holding vacuum motor housing to solution tank.
4. Unfasten screws holding pump plate to bottom of solution tank.
5. Remove solution hoses from fittings on pump.
6. Remove pump from brackets and remove fittings and grounding wire.
7. Reverse process to install new replacement pump.

Vacuum Motor Replacement

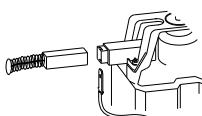
1. Turn off all switches and unplug machine.
2. Unlatch and remove recovery tank.
3. Unfasten screws holding vacuum motor retainer to vacuum motor housing
4. Lift vacuum motor from vacuum motor housing. Locate the vacuum motor wires and disconnect at the connector.
5. Remove vacuum motor.
6. Reverse process to install vacuum motor replacement.

WARNING: The green ground wire must be attached for safe operation. See wiring diagram.

AVERTISSEMENT: Le fil à la terre vert doit être attaché pour un fonctionnement en toute sécurité. voir le schéma de câblage.

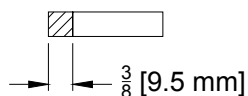


If armature commutator is grooved, extremely pitted or not concentric, the motor will need to be replaced or sent to a qualified service center.



Important:

These brushes wear quicker as the length shortens due to increased heat. Spring inside brush housing will damage motor if brushes are allowed to wear away completely.



Periodically check the length of the carbon brushes. Replace both carbon brushes when either is less than 3/8" (9.5mm) long.

Maintenance

Troubleshooting

PROBLEM	CAUSE	SOLUTION
Little or no solution flow	Clogged spray jet on cleaning tool	Remove and clean jets
	Faulty pump	Check and replace pump
	Incorrectly attached solution hose	Ensure solution hose coupler is securely attached to the coupler on the solution tank
Loss of vacuum/Solution recovery	Incorrectly attached vacuum hose	Ensure Vacuum hose is pushed completely onto the recovery tank inlet.
	Obstruction in cleaning tool	Inspect for and remove any debris.
	Recovery tank is not securely mounted on the solution tank	Tighten latch on either end of the machine

Suggested Spare Parts

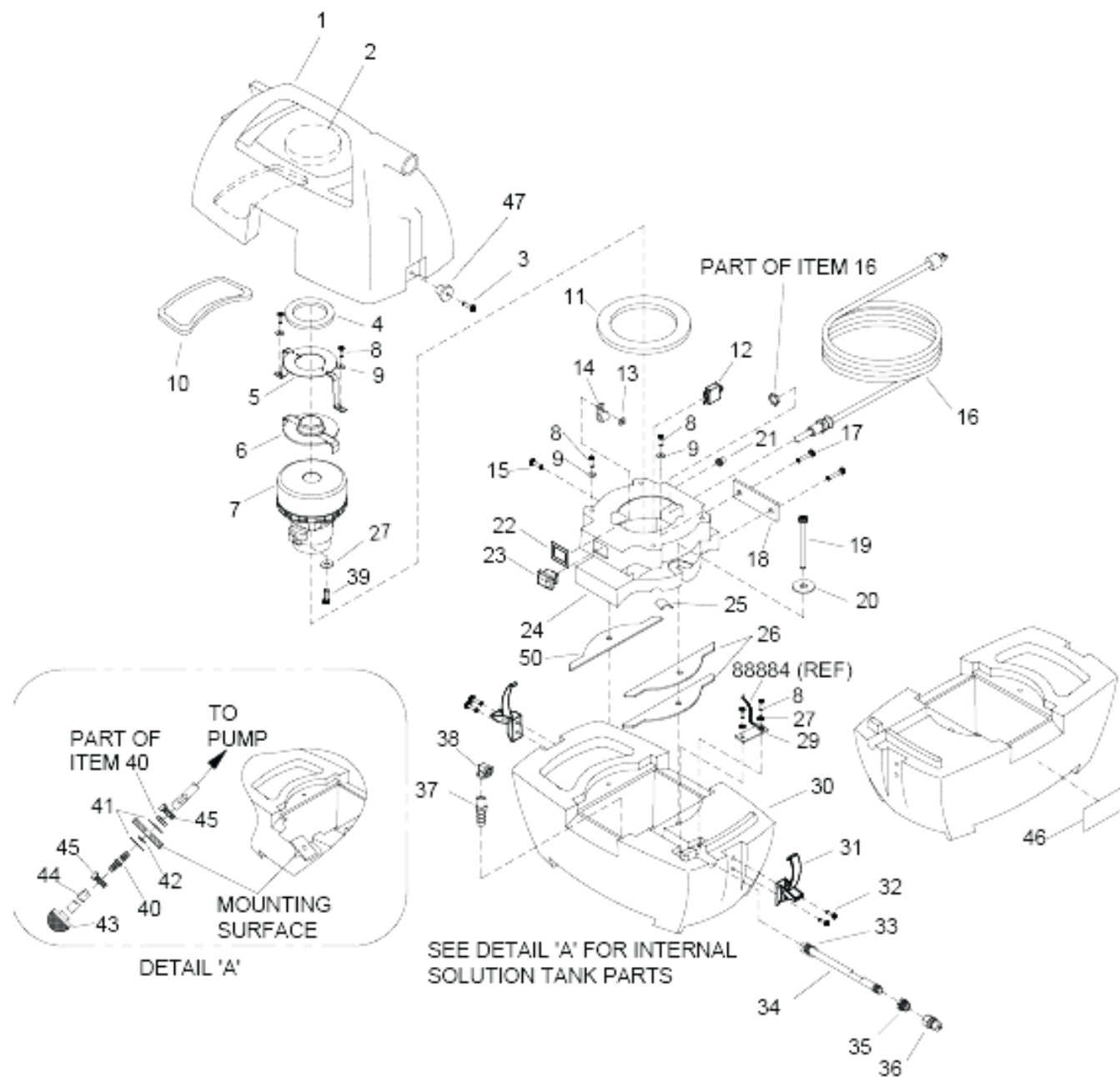
REF	PART NO.	DESCRIPTION	SERIAL NO. FROM	NOTES:
1	86225110	SWITCH, DPST 250V 16(4) SPLASH		
2	86258440	VAC MOTOR, 120V 2ST LNP		
3	86201110	PUMP, 110/120 60HZ FLOJET		
4	86135320	BRUSH SET, 120V VAC		120V MOTOR ONLY

Table of contents

SPOTTER, 120V US (1.003-012.0)	2
9030 EXTRACTOR	3
9040 SOLUTION PUMP	6
9050 WIRING DIAGRAM	8
9060 HAND TOOL	10
9070 MINI CART	12
9080 CART	14

SPOTTER, 120V US (1.003-012.0)

POS	Description	Quantity	Unit
9030	EXTRACTOR	1.000	ST
9040	SOLUTION PUMP	1.000	ST
9050	WIRING DIAGRAM	1.000	ST
9060	HAND TOOL	1.000	ST
9070	MINI CART	1.000	ST
9080	CART	1.000	ST

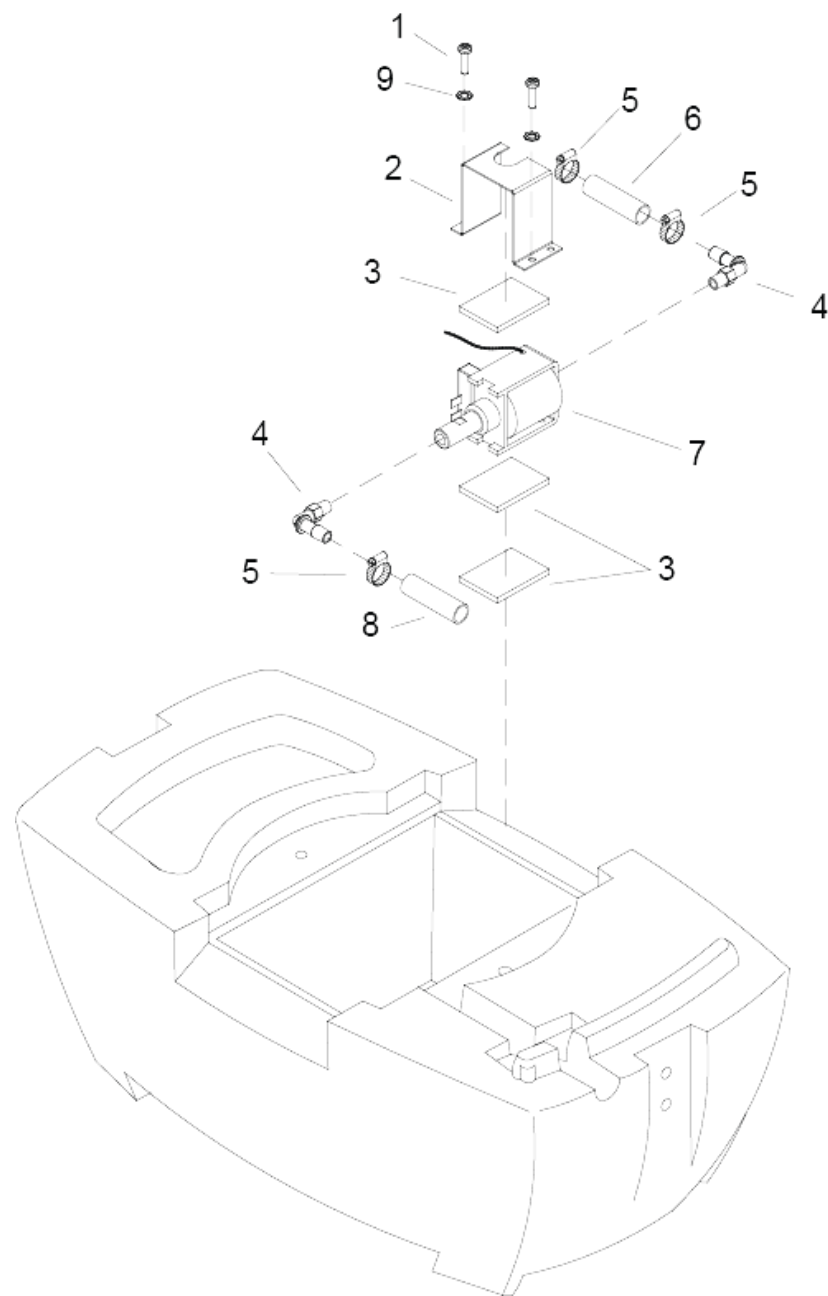


9030 EXTRACTOR

POS	Article no.	Description	Quantity	Unit	Remark
1	8.622-520.0	Tank RECOVERY PRESTO	1.000	ST	
2	8.623-652.0	FOAM, 4.00 O.D. X 1.00 THK	1.000	ST	
3	8.622-373.0	Screw 8-32 X 1/2 FHMS STL BLK ZNPLT	2.000	ST	
4	8.623-744.0	Seal 4.06 x 2.50 x .38	1.000	ST	
5	8.622-344.0	Retainer vac motor	1.000	ST	
6	8.621-731.0	Cover vac motor	1.000	ST	
7	8.625-844.0	Vac motor 120V 5.7 2ST LNP	1.000	ST	
8	8.627-429.0	SCREW, 10-32 X .375 PHPNHMS SS	6.000	ST	
9	8.622-577.0	Washer M6 FLT SS	4.000	ST	
10	8.623-741.0	GASKET, SPOTTER RECOVERY	1.000	ST	
11	8.623-742.0	GASKET, 4.0"X5.5--X.25T PORON	1.000	ST	
12	8.621-567.0	BREAKER, 8A VDE CIRCUIT	1.000	ST	
13	8.601-069.0	WASHER, 1/8 RIVET	1.000	ST	
14	8.626-116.0	Capacitor assembly EMI SPOTTER	1.000	ST	
15	8.613-654.0	RIVET, M4 X 18GL	1.000	ST	
16	8.621-706.0	Cord assembly 14X3 25' YLW SPOTTER	1.000	ST	U.S. MACHINE
17	8.613-655.0	RIVET, M3 X 12GL	2.000	ST	
18	8.607-965.0	Plate Data Label	1.000	ST	
19	8.627-587.0	SCREW, 1/4-20 X 1.5 PHPNHMS SS	2.000	ST	
20	8.622-576.0	Washer M8 FLT STL ZNPLT	2.000	ST	
21	8.600-201.0	BOOT, 3/8 CIRCUIT BREAKER	1.000	ST	
22	8.623-351.0	Clip Switch Retaining	1.000	ST	
23	8.622-511.0	Switch DPST 250V 16(4) SPLASH	1.000	ST	
24	8.621-931.0	Housing vacuum PRESTO	1.000	ST	
25	8.623-746.0	GASKET, .31 X .75 X 1.98	1.000	ST	
26	8.623-745.0	GASKET, VAC HOUSING 3/16"	2.000	ST	
27	8.601-064.0	Washer #10 LOCK EXT STAR SS	3.000	ST	
28	8.621-803.0	GASKET, VAC HOUSING 3/8"	1.000	ST	
29	8.606-856.0	Bracket nipple PRESTO	1.000	ST	
30	8.622-519.0	Tank SOLUTION, TRIM	1.000	ST	
31	8.624-618.0	LATCH, PRESTO TANK	2.000	ST	
32	8.600-652.0	SCREW, 8-32 X .375 PHPNHMS SS	4.000	ST	
33	8.621-816.0	GASKET, GROUND WIRE	1.000	ST	

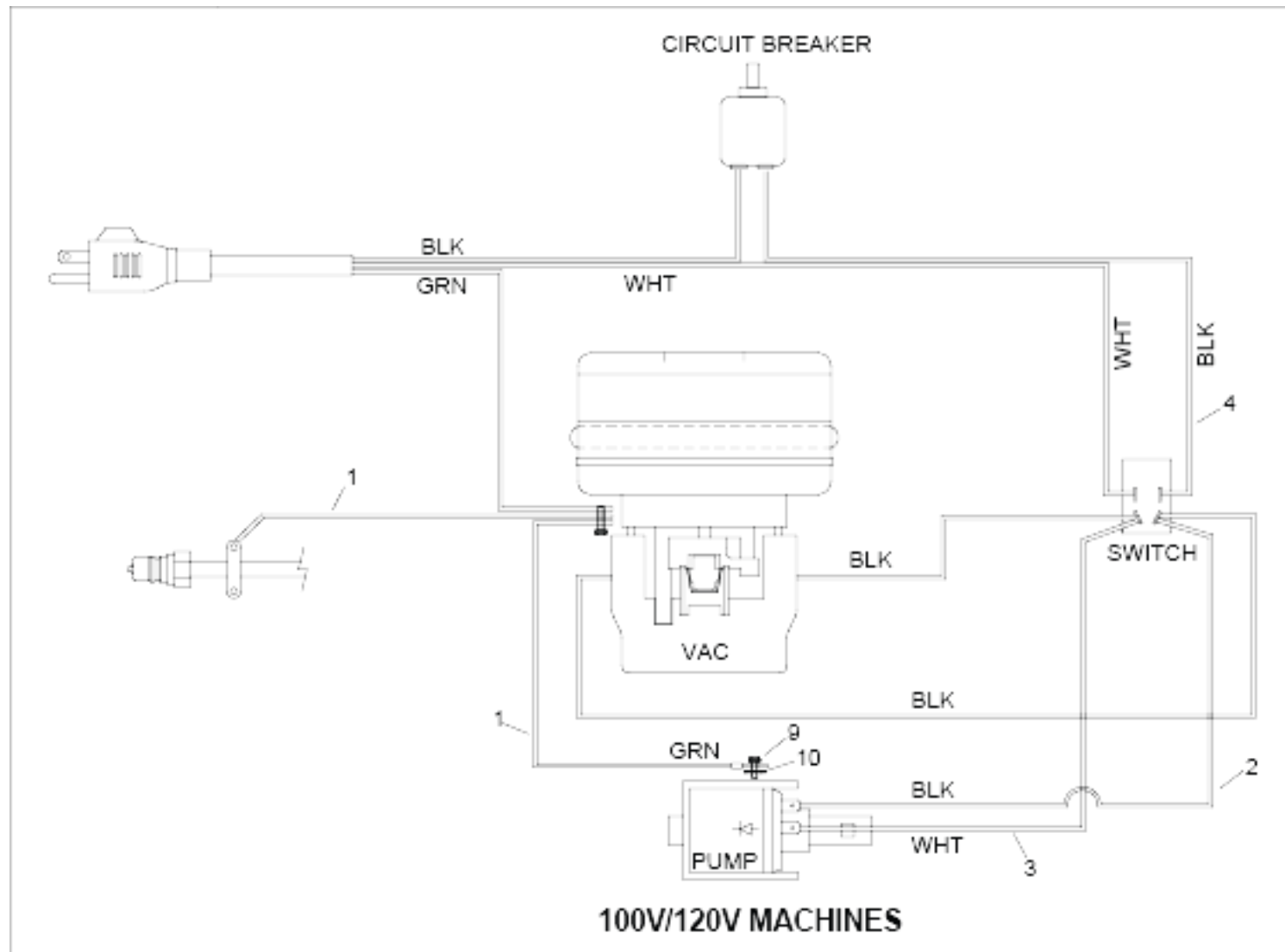
9030 EXTRACTOR

POS	Article no.	Description	Quantity	Unit	Remark
34	8.624-774.0	Nipple 1/4 X 6.0 BRASS	1.000	ST	
35	8.622-722.0	Adapter 1/8MPT X 1/4FPT Brass	1.000	ST	
36	8.620-082.0	Nipple 1/8	1.000	ST	
37	8.619-758.0	Hosebarb 1/4MPT X 3/8	1.000	ST	
38	8.619-737.0	ELBOW, 1/4FPT X 1/4FPT	1.000	ST	
39	8.628-845.0	SCREW, M4.8 X 10 PHTF TYPEB	1.000	ST	
40	8.625-831.0	Bulkhead union	1.000	ST	
41	8.627-932.0	WASHER, .515 X .875 X .063 FLT SS	2.000	ST	
42	8.624-809.0	O-ring seal .500 ID X.688 OD X.103	1.000	ST	
43	8.600-770.0	Strainer 80 MESH X 3/8 FPT	1.000	ST	
44	8.621-901.0	Hose 3/8ID SGLBRD RBR X 5"	1.000	ST	
45	8.623-315.0	CLAMP, 3/8 HOSE (D-SLOT)	2.000	ST	
46	8.622-014.0	LABEL, WARNING	1.000	ST	
47	8.624-179.0	KEEPER, PRESTO LATCH	2.000	ST	



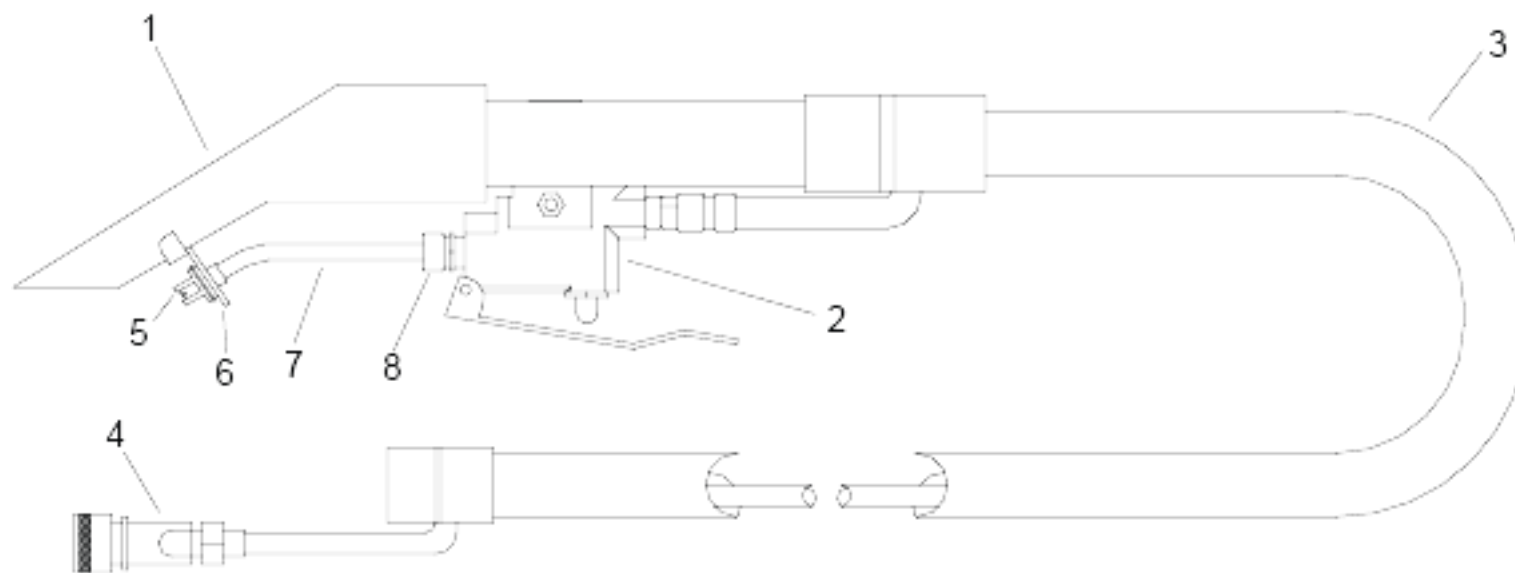
9040 SOLUTION PUMP

POS	Article no.	Description	Quantity	Unit
1	8.627-571.0	Screw 10-32 X .375 PHPNH	2.000	ST
2	8.606-869.0	Bracket solenoid pump PRESTO	1.000	ST
3	8.623-753.0	GASKET, TUBE SEAL	3.000	ST
4	8.619-759.0	Hosebarb 1/8MPT x 3/8 90D	2.000	ST
5	8.623-315.0	CLAMP, 3/8 HOSE (D-SLOT)	3.000	ST
6	8.624-029.0	Hose 3/8ID WIREBOUND X 2.6"	1.000	ST
7	8.620-111.0	PUMP, 110/120 60HZ FLOJET	1.000	ST
8	8.628-131.0	Hose 3/8ID WIREBOUND X 8.8"	1.000	ST
9	8.601-064.0	Washer #10 LOCK EXT STAR SS	2.000	ST



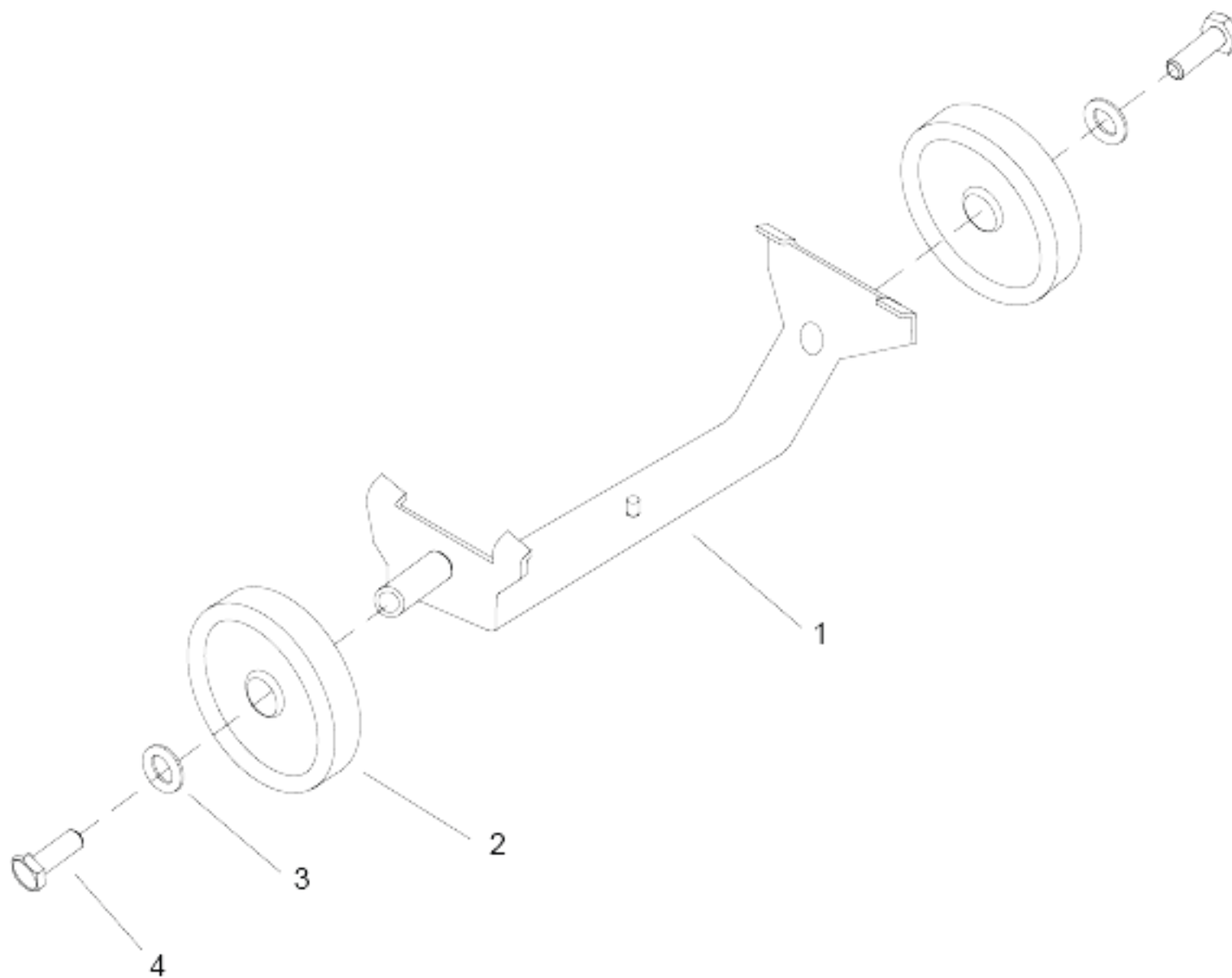
9050 WIRING DIAGRAM

POS	Article no.	Description	Quantity	Unit
1	8.622-631.0	Wire 18.5" GRN/18 76008 X 76008	2.000	ST
2	8.622-610.0	Wire 15" BLK/14 76050 X 76029	1.000	ST
3	8.622-611.0	Wire 15.4" WHT/14 76050 X 76029	1.000	ST
4	8.622-612.0	Wire 9" BLK/14 76029 X 76029	1.000	ST
5	8.600-677.0	SCREW, 10-32 X .25 PHPNHTF STL ZNPLT	1.000	ST
6	8.601-064.0	Washer #10 LOCK EXT STAR SS	1.000	ST



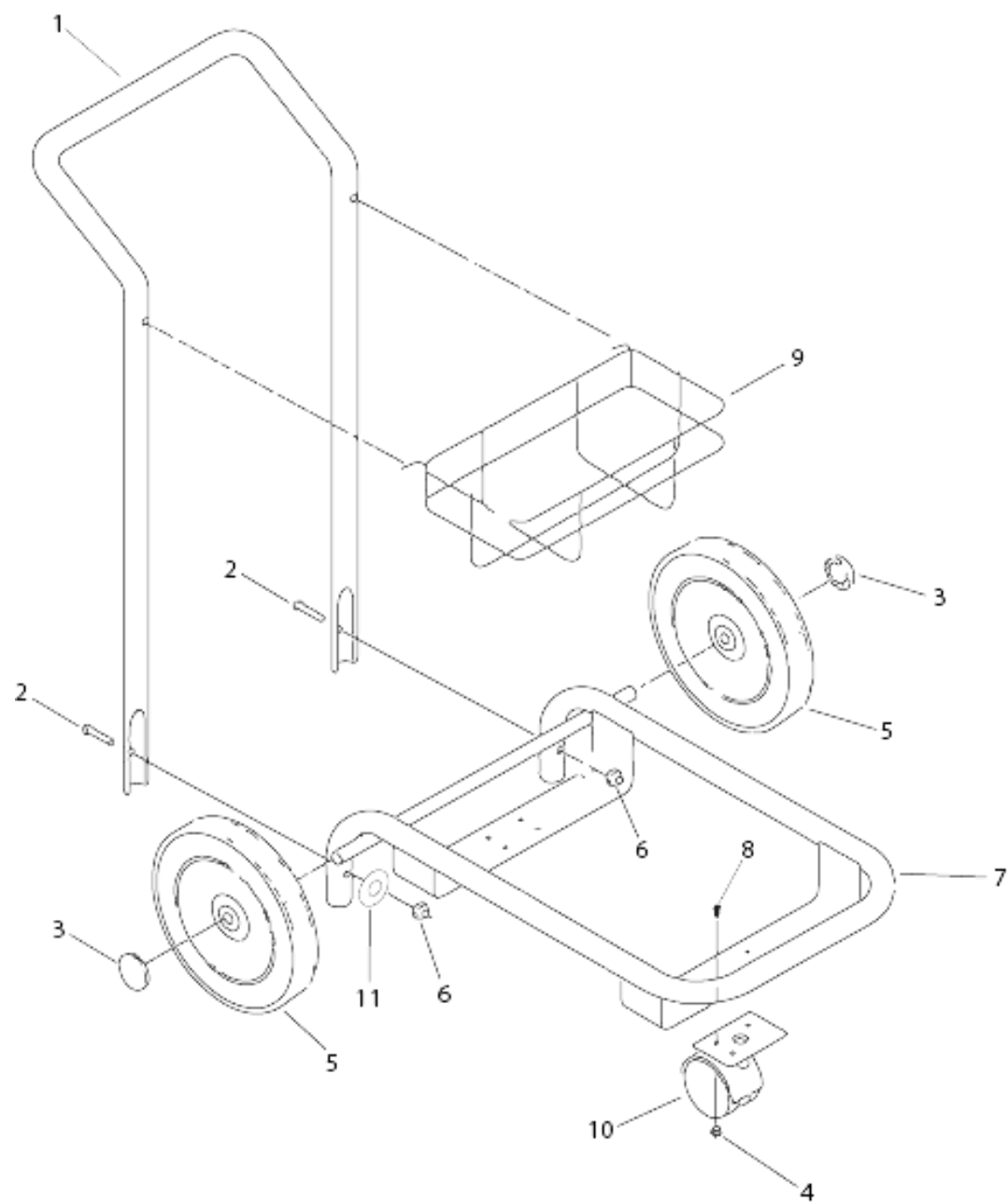
9060 HAND TOOL

POS	Article no.	Description	Quantity	Unit	Remark
-	8.621-879.0	HANDTOOL, SPOTTER	1.000	ST	ENTIRE ASSEMBLY AS KIT
1	8.621-934.0	Housing handtool SPOTTER	1.000	ST	
2	8.622-567.0	Valve complete SPOTTER	1.000	ST	
3	8.621-902.0	Hose assembly VAC/SOLUTION	1.000	ST	
4	8.620-081.0	Nipple 1/8 FPT QD FEM BRASS	1.000	ST	
5	8.621-957.0	JET assembly W/O-RING OKA	1.000	ST	
6	8.622-310.0	Plate retainer W/HARDWARE	1.000	ST	
7	8.622-191.0	Manifold SPOTTER	1.000	ST	
8	8.621-800.0	Fitting 1/8 MPT X 3/16 COMP	1.000	ST	



9070 MINI CART

POS	Article no.	Description	Quantity	Unit
-	8.622-203.0	MINI-CART	1.000	ST
1	8.622-295.0	Plate weldment	1.000	ST
2	8.625-977.0	WHEEL, 5"D X 1~ X .5~ID GRY	2.000	ST
3	8.613-728.0	WASHER, M8 FLT STL DIN125A ZNPLT	2.000	ST
4	8.613-664.0	SCREW, M8-1.25 X 20 HHMS ZNPLT	2.000	ST



9080 CART

POS	Article no.	Description	Quantity	Unit	Remark
-	8.600-003.0	SPOTTER CART U19808	1.000	ST	ENTIRE ASM AS KIT
1	8.608-927.0	Tube handle cart	1.000	ST	
2	8.627-374.0	SCREW, 1/4-20 X 1.5 HHCS SS	2.000	ST	
3	8.627-138.0	NUT, 1/2 DOME PUSH STL ZNPLT	2.000	ST	
4	8.600-570.0	NUT, 10-32 HEXSTRW LK STL ZNPLT	4.000	ST	
5	8.625-997.0	X-REF TO 8.639-789.0 7/15	2.000	ST	
6	8.600-568.0	NUT, 1/4-20 HEX NYLOCK STL GR2 ZNPLT	2.000	ST	
7	8.609-213.0	CART BASE ASM, SPOTTER	1.000	ST	
8	8.600-659.0	SCREW, 10-32 X .5 PHPNHMS SS NP	2.000	ST	
9	8.622-834.0	Carrying basket 3 bottle	1.000	ST	
10	8.623-253.0	CASTER, 2.5 DIA	1.000	ST	
11	8.601-063.0	WASHER, 1/4 SS	2.000	ST	