

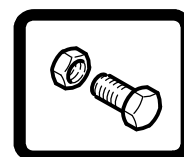
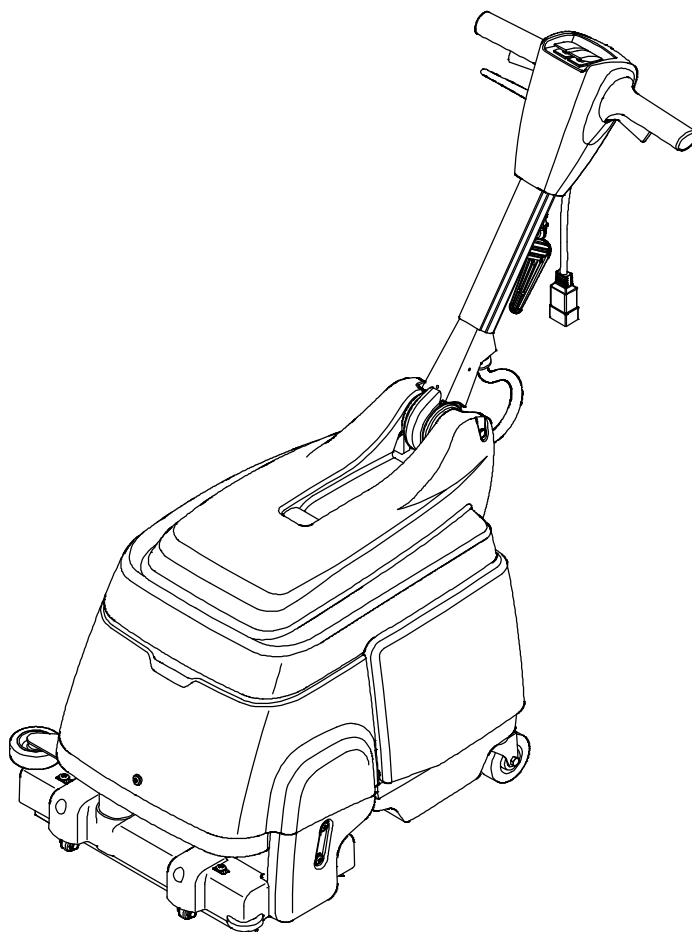


Model 9004200 – 120V

SPEED SCRUB®

CORDED FLOOR SCRUBBER
(S/N 30000000–40000000)

PARTS MANUAL

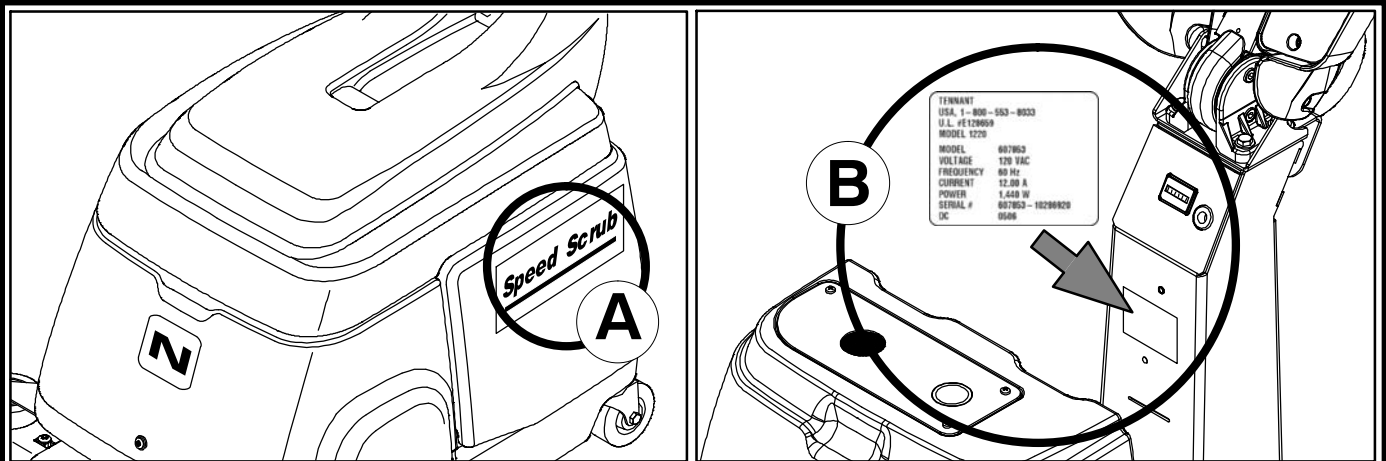


For the latest Parts manuals and other
language Operator manuals, visit:

www.nobles.com/manuals

9012804
Rev. 02 (09-2018)





Ref	Part No.	Serial Number	Description	Qty.
1	82681	(000000—)	Bracket Wldt, Lpg Mount	1
▽ 2	63810	(000000—)	Latch Assy, Lpg Tank Mtg, W/Nut	4
▲ 3	51839	(000000—)	Nut Adjustable, Lpg Tank Mtg	2
4	49263	(000000—)	Tie, Cable	3
(D)	82556	(000000—001039)	Bracket, Vaporizer	1
	54930	(000000—)	Vaporizer, LPG	1

HOW TO ORDER PARTS – See diagram above

Only use TENNANT Company supplied or equivalent parts. Parts and supplies may be ordered online, by phone, by fax or by mail.

Follow the steps below to ensure prompt delivery.

1. (A) Identify the machine model.
2. (B) Identify the machine serial number from the data label.
3. (C) Ensure the proper serial number is used from the parts list.
4. Identify the part number and quantity.
Do not order by page or reference numbers.
5. Provide your name, company name, customer ID number, billing and shipping address, phone number and purchase order number.
6. Provide detail shipping instructions.

- (D) ▽ – identifies an assembly
▲ – identifies parts included in assembly

Please fill out at time of installation for future reference.

Model No. – _____

Serial No. – _____

Machine Options – _____

Sales Rep. – _____

Sales Rep. phone no. – _____

Customer ID Number – _____

Installation Date – _____

Tennant Company
PO Box 1452
Minneapolis, MN 55440 USA
Phone: (800) 553-8033
www.nobles.com

TENNANT Cleaning Systems & Equipment (Shanghai) Co., Ltd
Building 1, No. 37777, Caoying Road Qingpu, China 201712
Phone: 86 21 6922 5333
Fax: 86 21 6922 5151
www.tennantco.com.cn

Specifications and parts are subject to change without notice.

Copyright © 2014-2018 TENNANT Company, Printed in China.

STANDARD PARTS

GENERAL RECOMMENDED MAINTENANCE
ITEMS 5

HANDLE GROUP 6

FRAME GROUP 8

TANKS AND SHROUD GROUP 10

TANK COVER GROUP 12

VACUUM FAN GROUP 14

SOLUTION GROUP 16

SCRUB HEAD GROUP 18

SCRUB HEAD LIFT GROUP 20

SQUEEGEE GROUP, FRONT AND REAR 22

DOCUMENTATION GROUP 24

ELECTRICAL DIAGRAM 25

WIRE HARNESS, CHASSIS 26

RECOMMENDED MAINTENANCE ITEMS

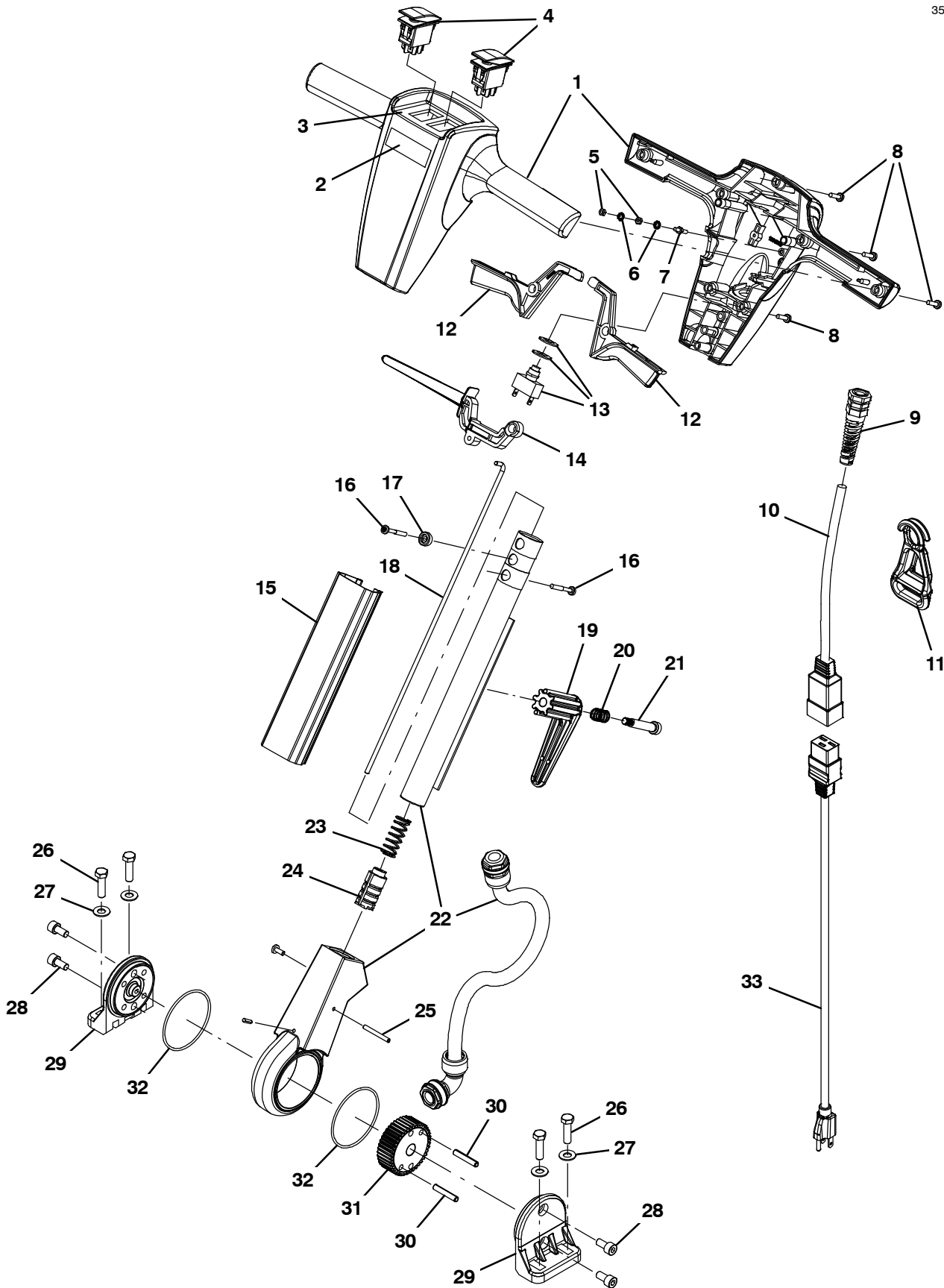
RECOMMENDED MAINTENANCE ITEMS

GENERAL RECOMMENDED MAINTENANCE ITEMS

Ref.	Part No.	Serial Number	Description	Qty.
	1230230	(30000000-40000000)	Wheel, 03.0d 0.88w 0.31b,[Ch]	3
	601443	(30000000-40000000)	Caster, Swivel, 3.0d 1.3w, .50-13 Stem	2
	9004283	(30000000-40000000)	Belt Kit, W/ Installation Tool	1
	1037197	(30000000-40000000)	Brush, Scrub, 89mm Od X 386mm, Nylon (Standard)	1
	1037277	(30000000-40000000)	Brush, Scrub, 89mm Od X 386mm, Poly (Optional)	1
	1037278	(30000000-40000000)	Brush, Scrub, 89mm Od X 386mm, Grit (Optional)	1
	9008581	(30000000-40000000)	Wheel Kit, Sqge, W/ Hdwr	1
	1057241	(30000000-40000000)	Blade Assy, Sqge, Inner, Ure	2
	1050943	(30000000-40000000)	Blade Assy, Sqge, Outer, Ure	2
	1052876	(30000000-40000000)	Gasket, Tank	2
	1074694	(30000000-40000000)	Filter, Tube, Soltn, 200mesh	1

HANDLE GROUP

355054



HANDLE GROUP

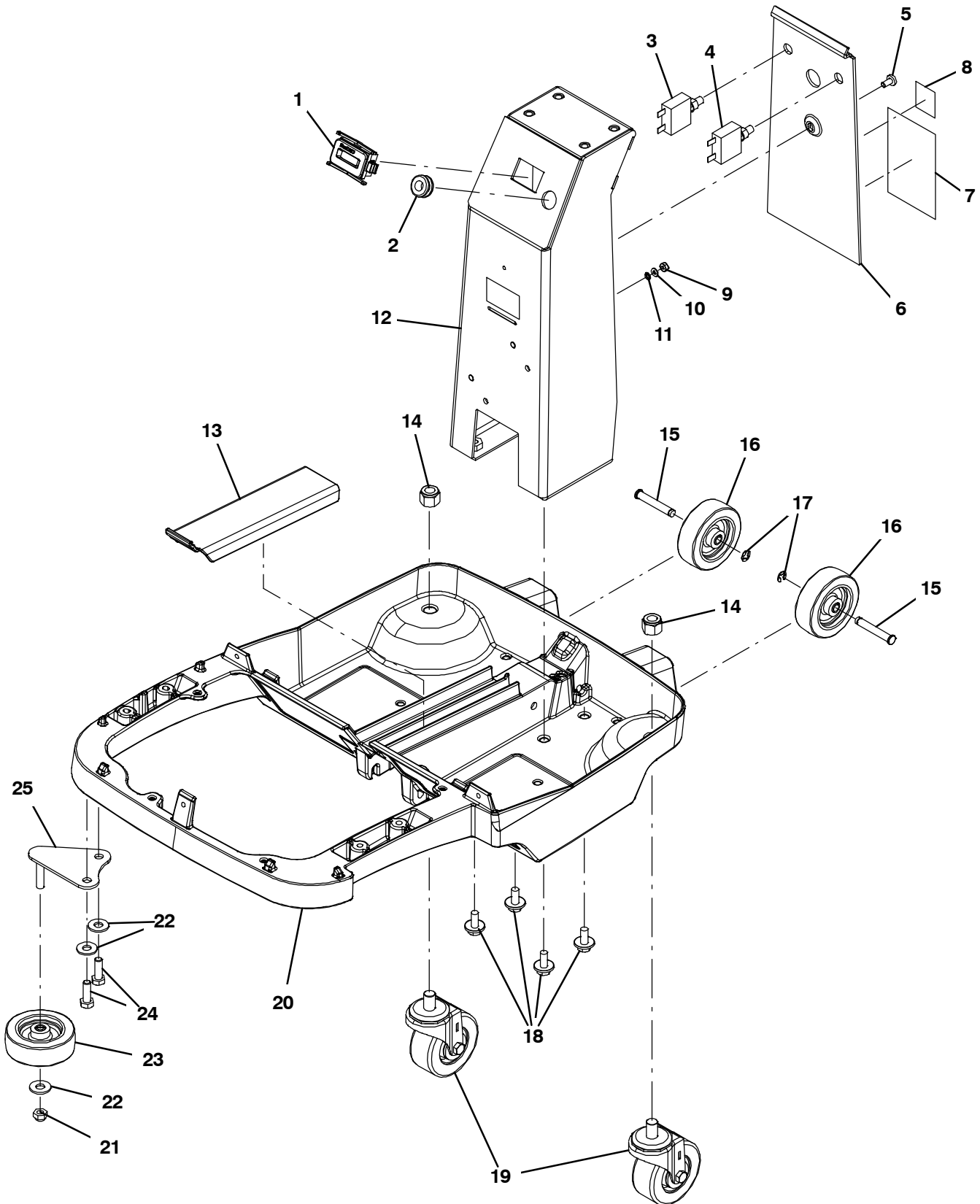
Ref.	Part No.	Serial Number	Description	Qty.
▽	9005511	(30000000-40000000)	Handle, Nobles Speed Scrub 15"	1
▲▽	1 9004323	(30000000-40000000)	Cover, Handle Front/Rear Nobles Ss Kit	1
▲▲	2 1039088	(30000000-40000000)	Label, Logo, Handle [Nobles]	1
▲▲	3 1037324	(30000000-40000000)	Label, Opertnl, Instrmt Panl, Scrubber	1
▲	4 602919	(30000000-40000000)	Switch, Rocker, Dpdt, On / On	2
▲	5 42368	(30000000-40000000)	Nut, Hex, Std, M4 X 0.70, 8	2
▲	6 140061	(30000000-40000000)	Washer, Lock, Ext, 08, Pl	2
▲	7 1034952	(30000000-40000000)	Screw, Hex, M4 X 0.7 X 12, Dbl Thrd	1
▲	8 1043573	(30000000-40000000)	Screw, #10-14 X 0.675, Spl[Shcs,Selftap]	7
▲	9 130166	(30000000-40000000)	Grip, Cord, Strainrelief Pg-11 W/Nut Bk	1
▲	10 1042410	(30000000-40000000)	Cord, 14ga /3, 16.0l, W/ Receptacle, Yel	1
▲	11 130176	(30072485-40000000)	Clip, Cord, Strainrelief [Belt]	1
	11 1037147	(30000000-30072484)	Clip, Cord, Strainrelief, Black	1
▲	12 1033893	(30000000-40000000)	Lever, Cntrl, Switch [Trex]	2
▲	13 9008568	(30000000-40000000)	Switch Kit, W/ Washers, Fr/ F/1063165	1
▲	14 1034945	(30000000-40000000)	Lever, Adjmt, Handle	1
▲	15 1034181	(30072159-40000000)	Cover, Handle, Gray	1
	15 1036599	(30000000-30072158)	Cover, Handle, Nobles [Trex]	1
▲	16 1043572	(30000000-40000000)	Screw, #10-14 X 0.15, Spl[Shcs Selftap]	2
▲	17 1034176	(30000000-40000000)	Bushing, Flng, 5mmb 12mmd 8mml, Pa6	1
▲	18 1034180	(30000000-40000000)	Rod, Release [Trex]	1
▲	19 603104	(30000000-40000000)	Hook, Cord, Blk [Quick-Release]	1
▲	20 603108	(30000000-40000000)	Spring, Cmpr, Switch	1
▲	21 140239	(30000000-40000000)	Bolt, Shld, .38d X 1.75, .31-18	1
▲	22 1045239	(30000000-40000000)	Tube, Assy, Handle [W/Harnesses]	1
▲	23 1013295	(30000000-40000000)	Spring, Cmpr [2100 Series]	1
▲	24 9006059	(30000000-40000000)	Plunger Kit, Handle	1
▲	25 1034924	(30000000-40000000)	Pin, Roll, 04mmd X 40mml	1
▲	26 1016399	(30000000-40000000)	Screw, Hex, M8 X 1.25 X 30, NI, Ss	4
▲	27 140027	(30000000-40000000)	Washer, Flat, 0.35b 0.75d .04, Ss	4
▲	28 49609	(30000000-40000000)	Screw, Soc, M8 X 1.25 X 16, 12.9	4
▲	29 1000307	(30000000-40000000)	Handle, Pivot, Half	2
▲	30 1034155	(30000000-40000000)	Pin, Roll, 06mmd X 36mml	2
▲	31 1034872	(30000000-40000000)	Gear, Lock, Handle	1
▲	32 612422	(30000000-40000000)	Seal, Org, Gear Seat	2
	33 1042403	(30000000-40000000)	Cord, Power, 1.5mm /3 Yel[2x15m 50ft Us]	1

▽ ASSEMBLY

▲ INCLUDED IN ASSEMBL

FRAME GROUP

355056



FRAME GROUP

Ref.	Part No.	Serial Number	Description	Qty.	
1	1064038	(30000000-40000000)	Gauge, Hourmeter, 05-277 Volt, Ac / Dc	1	
2	86726	(30000000-40000000)	Grommet, Rbr, 0.44id, F/0.5h, .19 Matl	1	
3	383720	(30000000-40000000)	Circuitbreaker, 05.0a, Resetable	1	
4	383722	(30000000-40000000)	Circuitbreaker, 15.0a, Resetable	1	
5	74027	(30000000-40000000)	Screw, Pan, Phl, M6 X 1.00 X 12, NI, PI	1	
▽	6	9004277	(30000000-40000000)	Cover Kit, Column, W/ Label [3gal 120v]	1
▲	7	1039105	(30000000-40000000)	Label,Warning,Ac Scrbr/Extr [En/Fr/Es/Jp]	1
▲	8	NA	(30000000-40000000)	Label, Safety, 120vac [EtI]	1
9	1044427	(30000000-40000000)	Nut, Hex, Lock, #8-32, NI, Ss	1	
10	41578	(30000000-40000000)	Washer, Flat, 06, Ss	1	
11	02938	(30000000-40000000)	Washer, Lock, Int, 08, Ss	1	
12	9004276	(30000000-40000000)	Column Kit, Sppt, W/ Label [3 Gal]	1	
13	1030718	(30000000-40000000)	Cover, Frame, Rear [Trex]	1	
14	02931	(30000000-40000000)	Nut, Hex, Lock, .50-13, NI, Ss	2	
15	1035137	(30000000-40000000)	Pin, Clevis, Grvd 0.31d X 2.00l, Ss	2	
16	1230230	(30000000-40000000)	Wheel, 03.0d 0.88w 0.31b,[Ch]	2	
17	1035139	(30000000-40000000)	Ring, Retaining, Ext, 0.31d, E-Type	2	
18	1020341	(30000000-40000000)	Screw, Hex, M8 X 1.25 X 20, Ss, Sems	4	
19	601443	(30000000-40000000)	Caster, Swivel, 3.0d 1.3w, .50-13 Stem	2	
20	1034013	(30000000-40000000)	Frame (Machined)	1	
21	08713	(30000000-40000000)	Nut, Hex, Lock, M8 X 1.25, NI, Ss	1	
22	140027	(30000000-40000000)	Washer, Flat, 0.35b 0.75d .04, Ss	3	
23	1230230	(30000000-40000000)	Wheel, 03.0d 0.88w 0.31b,[Ch]	1	
24	49826	(30000000-40000000)	Screw, Hex, M8 X 1.25 X 16, NI, Ss	2	
25	1034805	(30000000-40000000)	Bracket, Bumper Wheel	1	
N/S	1033825	(30000000-40000000)	Harness, Chassis, Ele, Scrbr, [T-Rex]	1	

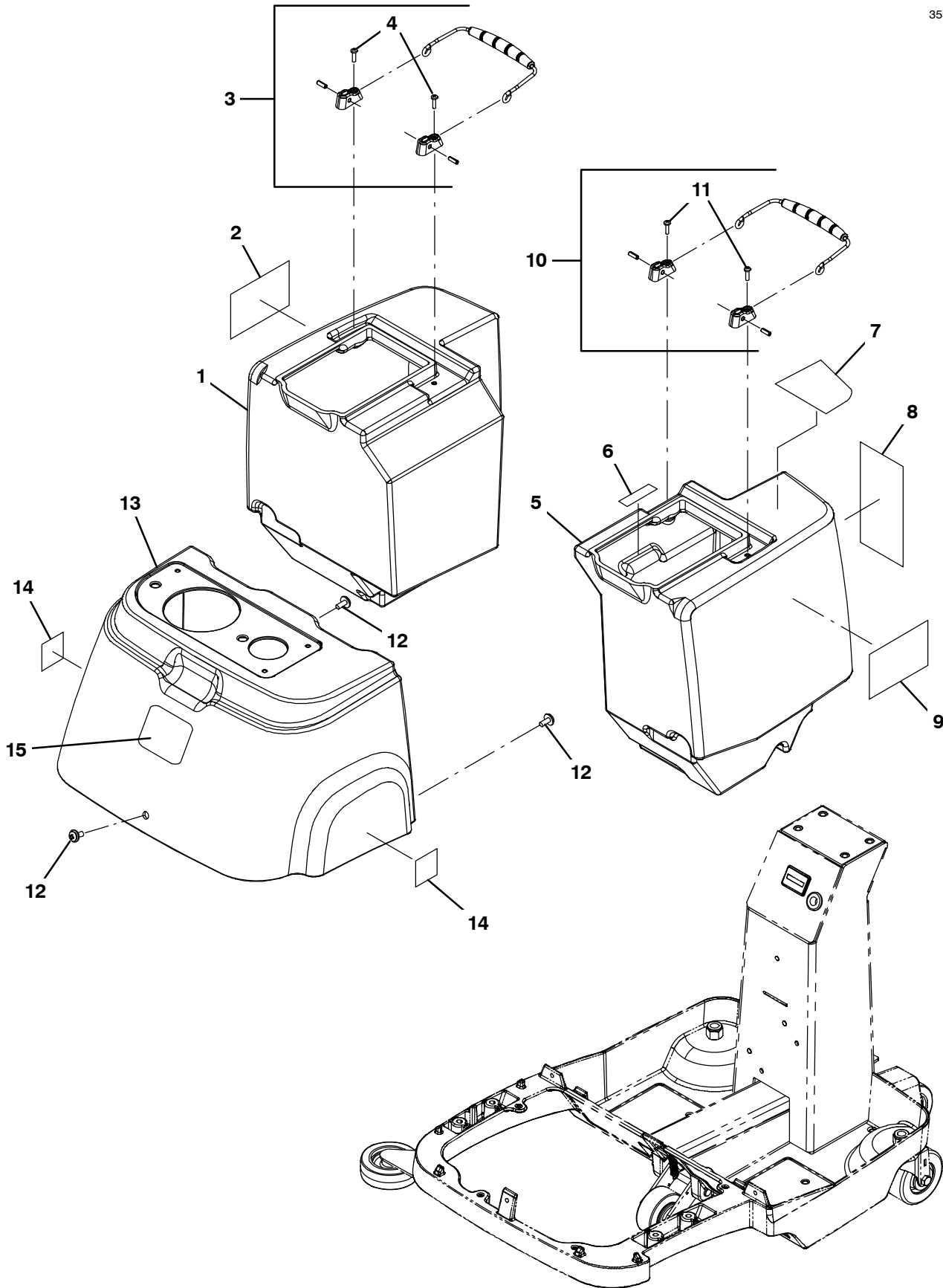
▽ ASSEMBLY

▲ INCLUDED IN ASSEMBLY

N/S = NOT SHOWN

TANKS AND SHROUD GROUP

355074



TANKS AND SHROUD GROUP

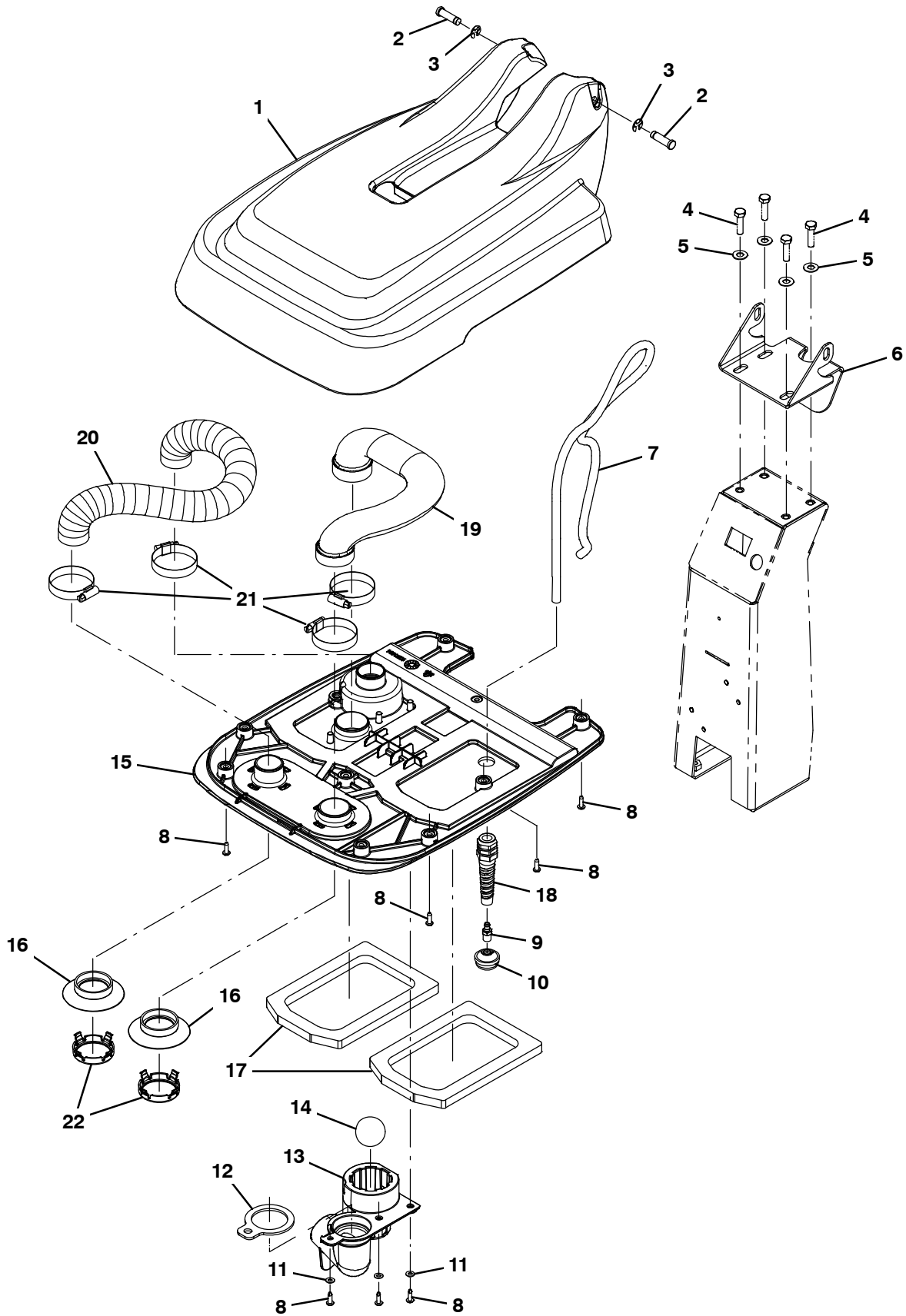
Ref.	Part No.	Serial Number	Description	Qty.
▽	1	9016188	(30072199-40000000) Tank Kit, Recvy W/Labels [Nob Gray 3gal]	1
	1	9004313	(30000000-30072198) Tank, Rec W/ Labels Nobles 3 Gal Kit	1
▲	2	1039498	(30000000-40000000) Label, Side, Speed Scrub	1
▲▽	3	9004285	(30000000-40000000) Handle, Tank Kit	1
▲▲	4	24265	(30000000-40000000) Screw, Pan, Phl, M4 X 0.70 X 16, Ss	2
▽	5	9016189	(30072199-40000000) Tank Kit, Soltn W/Labels [Nob Gray 3gal]	1
	5	9004315	(30000000-30072198) Tank, Sol W/ Labels Nobles 3 Gal Kit	1
▲	6	1044865	(30000000-40000000) Label, Solution, Tank, Max. Fill, 3 Gal.	1
▲	7	1039138	(30000000-40000000) Label, Tank, Soltn, 3.0gal	1
▲	8	1040112	(30000000-40000000) Label, Oper, Instr [Scrubber]	1
▲	9	1039498	(30000000-40000000) Label, Side, Speed Scrub	1
▲▽	10	9004285	(30000000-40000000) Handle, Tank Kit	1
▲▲	11	24265	(30000000-40000000) Screw, Pan, Phl, M4 X 0.70 X 16, Ss	2
	12	1019349	(30000000-40000000) Screw, Trs, M6 X 1.00 X 16, Ss, Sems	3
▽	13	9004302	(30000000-40000000) Shroud, W/ Labels Nobles 3 Gal Kit	1
▲	14	578769	(30000000-40000000) Decal, Moving Parts Textless	2
▲	15	1034636	(30000000-40000000) Label, Front, 3.00 [Nobles Icon]	1

▽ ASSEMBLY

▲ INCLUDED IN ASSEMBLY

TANK COVER GROUP

355055



TANK COVER GROUP

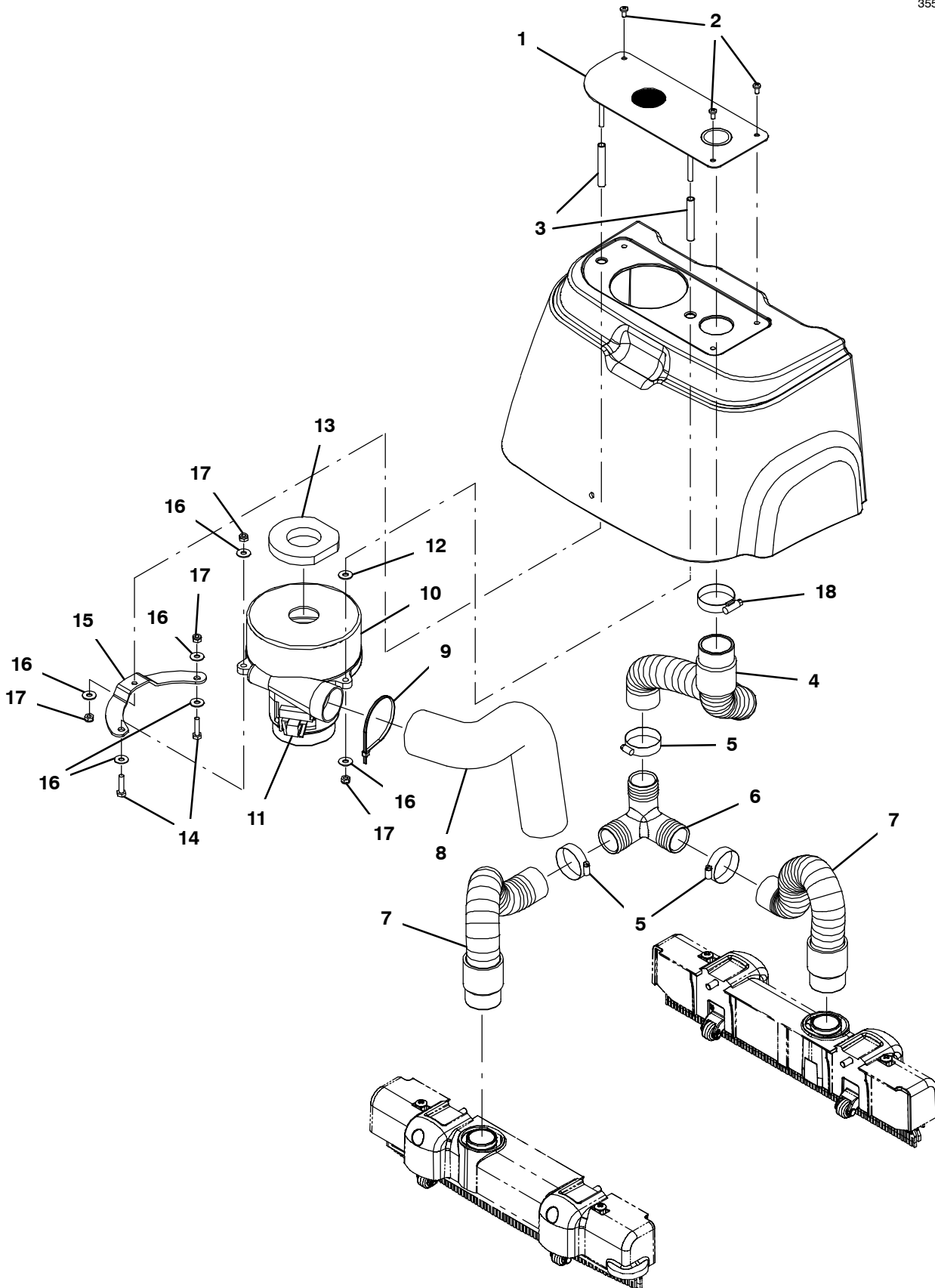
Ref.	Part No.	Serial Number	Description	Qty.	
1	1037759	(30000000-40000000)	Cover , Tanks, Upper, Nobles [Trex]	1	
2	1035358	(30000000-40000000)	Pin, Grvd, 0.375d, 1.25l	2	
3	24555	(30000000-40000000)	Ring, Retaining, Ext, 0.38d, [E-Ring]	2	
4	1016399	(30000000-40000000)	Screw, Hex, M8 X 1.25 X 30, NI, Ss	4	
5	140027	(30000000-40000000)	Washer, Flat, 0.35b 0.75d .04, Ss	4	
6	1034346	(30000000-40000000)	Bracket, Pivot, Cover, Mtg	1	
7	1036078	(30000000-40000000)	Hose, Soltn, .25 Id, .453 Od, 39.25 L	1	
8	140340	(30000000-40000000)	Screw, Pan, Phl, 10-24 X 0.62, Ss[Typ25]	13	
9	1042715	(30000000-40000000)	Fitting, Brs, Str, Bm04/Pm02	1	
10	1074694	(30000000-40000000)	Filter, Tube, Soltn, 200mesh	1	
11	140011	(30000000-40000000)	Washer, Flat, 0.21b 0.45d .03, Ss	2	
12	1051274	(30000000-40000000)	Gasket, Shield, Float	1	
13	1042277	(30000000-40000000)	Shield, Float	1	
14	1044370	(30000000-40000000)	Ball, Float, W/O Cage	1	
▽	15	9005924	(30000000-40000000)	Cover, Tank, Inner W/ Seals, Kit	1
▲	16	1036090	(30000000-40000000)	Seal, Vacuum [Trex]	2
▲	17	1034801	(30000000-40000000)	Gasket, Tank	2
▲	18	602849	(30000000-40000000)	Strainrelief, Cord, Ele, Pm08, Blk Nyl	1
	19	1035866	(30000000-40000000)	Hose, Recvy, Formed [Trex]	1
	20	1037756	(30000000-40000000)	Hose, Vacuum, 1.5od, 18.0l [Wire-Reinf]	1
	21	140308	(30000000-40000000)	Clamp, Hose, Wormdrive, 1.31-2.25d, .50w	4

▽ ASSEMBLY

▲ INCLUDED IN ASSEMBLY

VACUUM FAN GROUP

355061



VACUUM FAN GROUP

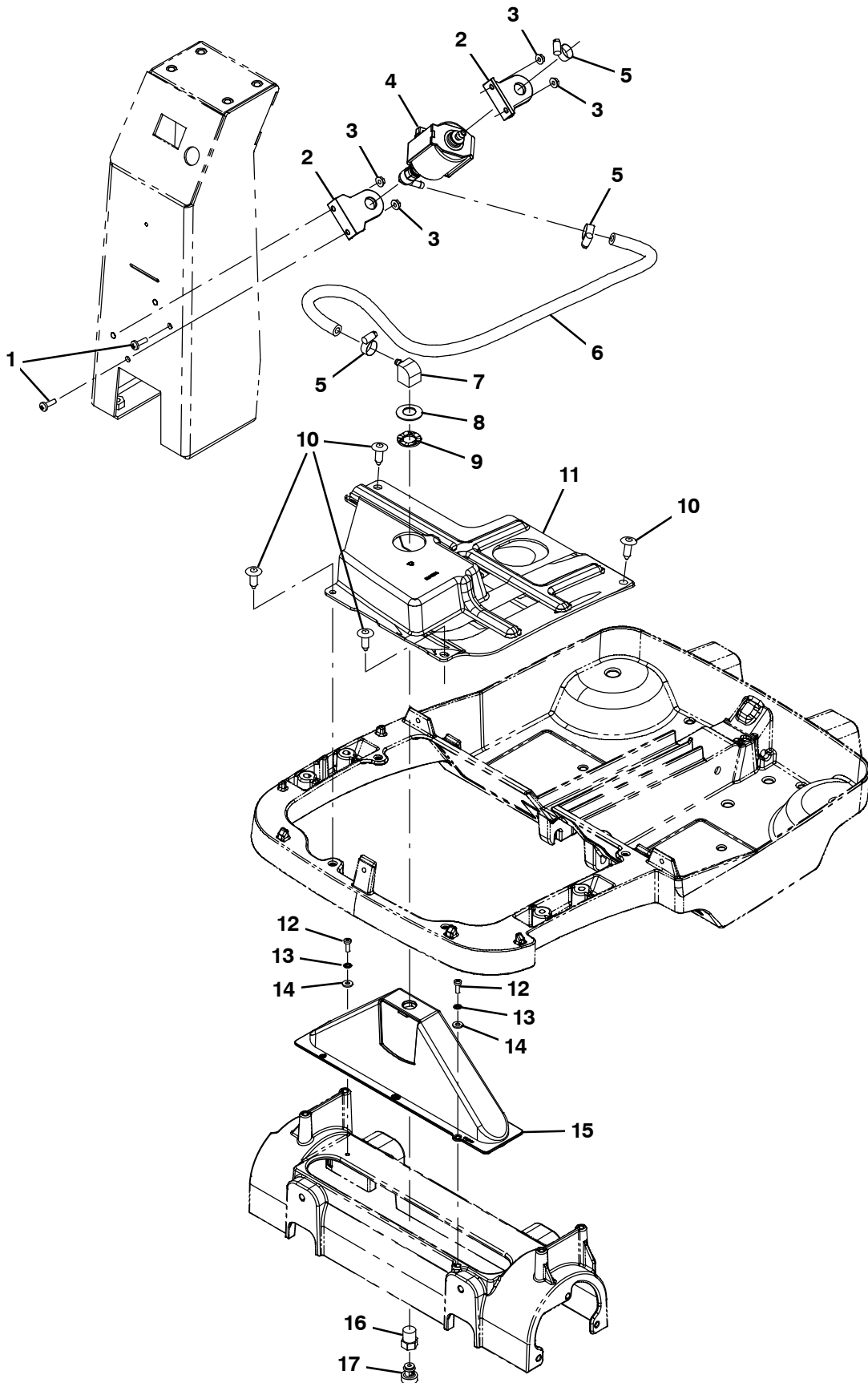
Ref.	Part No.	Serial Number	Description	Qty.
1	1031960	(30000000-40000000)	Plate, Mtg, Vacuum	1
2	1026454	(30000000-40000000)	Screw, Pan, Phl, M5 X 0.80 X 10, Ss	3
3	610144	(30000000-40000000)	Spacer, Fan	2
4	1038394	(30000000-40000000)	Hose, Vacuum, 38.0id X 380.0l, 1cuff	1
5	79381	(30000000-40000000)	Clamp, Hose, Wormdrive, 1.25-2.00d, .50w	3
6	1031965	(30000000-40000000)	Fitting, Brb, Pvc, 1.5in 3 Way X 90	1
7	1038391	(30000000-40000000)	Hose, Vacuum, 38.0id X 330.0l, 1cuff	2
8	390677	(30000000-40000000)	Muffler, Exhaust, Vacfan, Long	1
9	130773	(30000000-40000000)	Tie, Cable, Nyl, 11.0l, .14w, 3.0 Max. D	1
▽	10 9012566	(30000000-40000000)	Fan Kit, Vacuum, 5.7d, 120vac, 2 Stage	1
10	1071839	(30000000-40000000)	Fan, Vacuum, 5.7d, 120vac, 2 Stage [Bpt] (Replaced by Kit 9012566)	1
▲	11 1071842	(30000000-40000000)	Vr, Brush Kit, Vac Fan 1071839	1
▲	12 01684	(30000000-40000000)	Washer, Flat, 0.27b 0.69d .05, Ss	1
13	630010	(30000000-40000000)	Gasket, 12.7mm Th, 43mmid 73mmod	1
14	09007	(30000000-40000000)	Screw, Hex, M6 X 1.00 X 25, Ss	2
15	1034069	(30000000-40000000)	Plate, Vac Mounting	1
16	01684	(30000000-40000000)	Washer, Flat, 0.27b 0.69d .05, Ss	6
17	08708	(30000000-40000000)	Nut, Hex, Lock, M6 X 1.00, NI	4
18	11531	(30000000-40000000)	Clamp, Hose, Wormdrive, 1.06-2.00d, .56w	1

▽ ASSEMBLY

▲ INCLUDED IN ASSEMBLY

SOLUTION GROUP

355060



SOLUTION GROUP

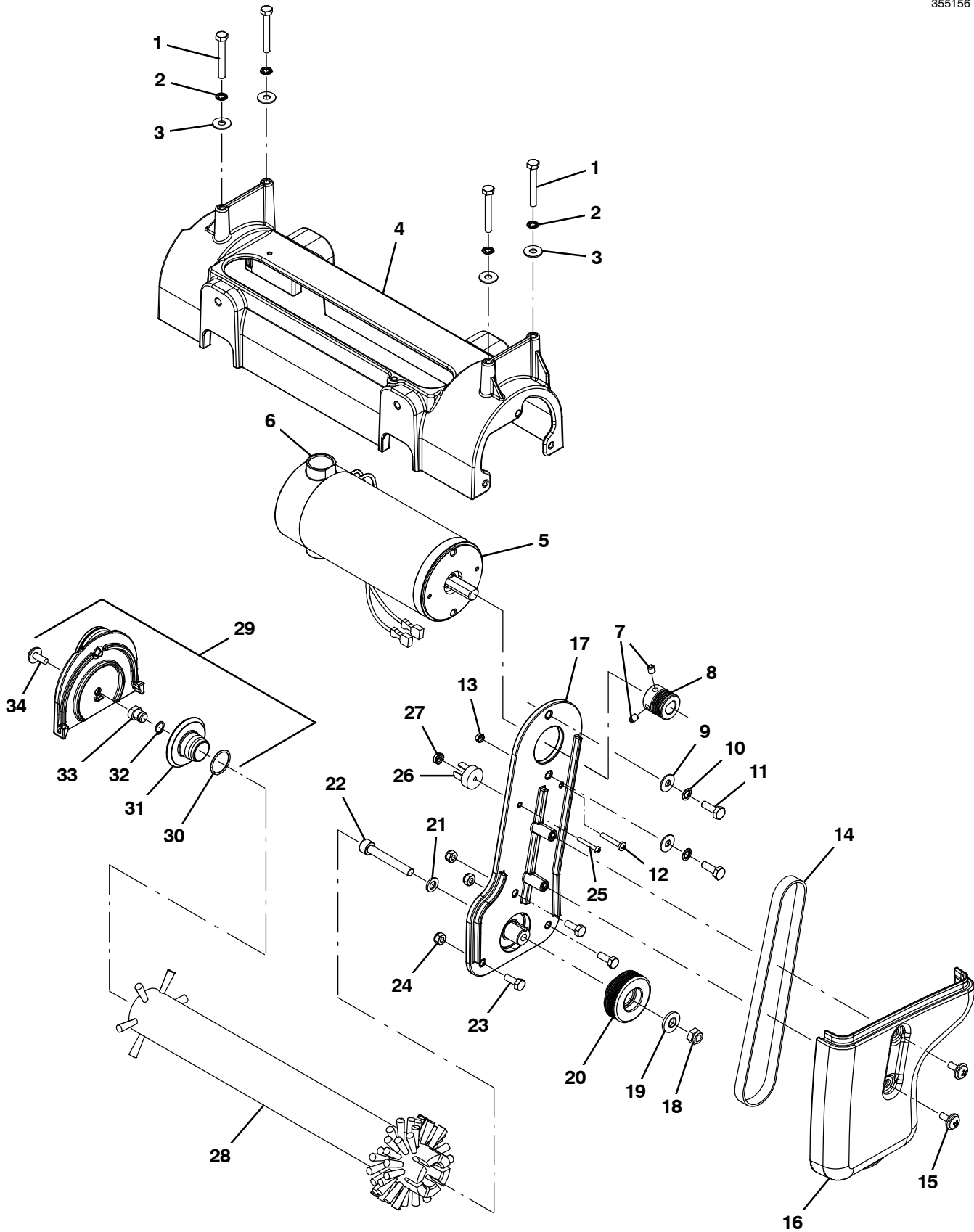
Ref.	Part No.	Serial Number	Description	Qty.
1	06933	(30000000-40000000)	Screw, Pan, Phl, M5 X 0.80 X 16, 4.8	4
2	1036121	(30000000-40000000)	Mount, Pump, Cp6	2
3	07789	(30000000-40000000)	Nut, Hex, Flng, M5 X 0.80	4
4	1035850	(30000000-40000000)	Pump, Solution, Solenoid 120v	1
5	43844	(30000000-40000000)	Clamp, Hose, Wormdrive, 0.25-0.62d, .31w	3
6	613435	(30000000-40000000)	Hose, Pvc, Brd, 0.25id 0.50od 25.9l,Gray (160204)	1
7	1028773	(30000000-40000000)	Fitting, Brs, E90, Bm04/Pf04	1
8	1035296	(30000000-40000000)	Washer, Flat, Belleville, .567	1
9	1042714	(30000000-40000000)	Washer, Wavy, 0.59b 1.01d .02	1
10	140262	(30000000-40000000)	Rivet, Plstc, .250d, Blk [Xmas Tree]	3
11	1037573	(30000000-40000000)	Shield, Access [Trex]	1
12	579237	(30000000-40000000)	Screw, Pan, Phl, M4 X 0.70 X 12, Ss	2
13	02938	(30000000-40000000)	Washer, Lock, Int, 08, Ss	2
14	41579	(30000000-40000000)	Washer, Flat, 08, Ss	2
15	1034395	(30000000-40000000)	Shroud, Splash, Nozzle [Trex]	1
16	1034582	(30000000-40000000)	Nozzle Adapter, Qppm	1
17	1033942	(30000000-40000000)	Nozzle [Qmvv 110-015]	1

▽ ASSEMBLY

▲ INCLUDED IN ASSEMBLY

SCRUB HEAD GROUP

355156



SCRUB HEAD GROUP

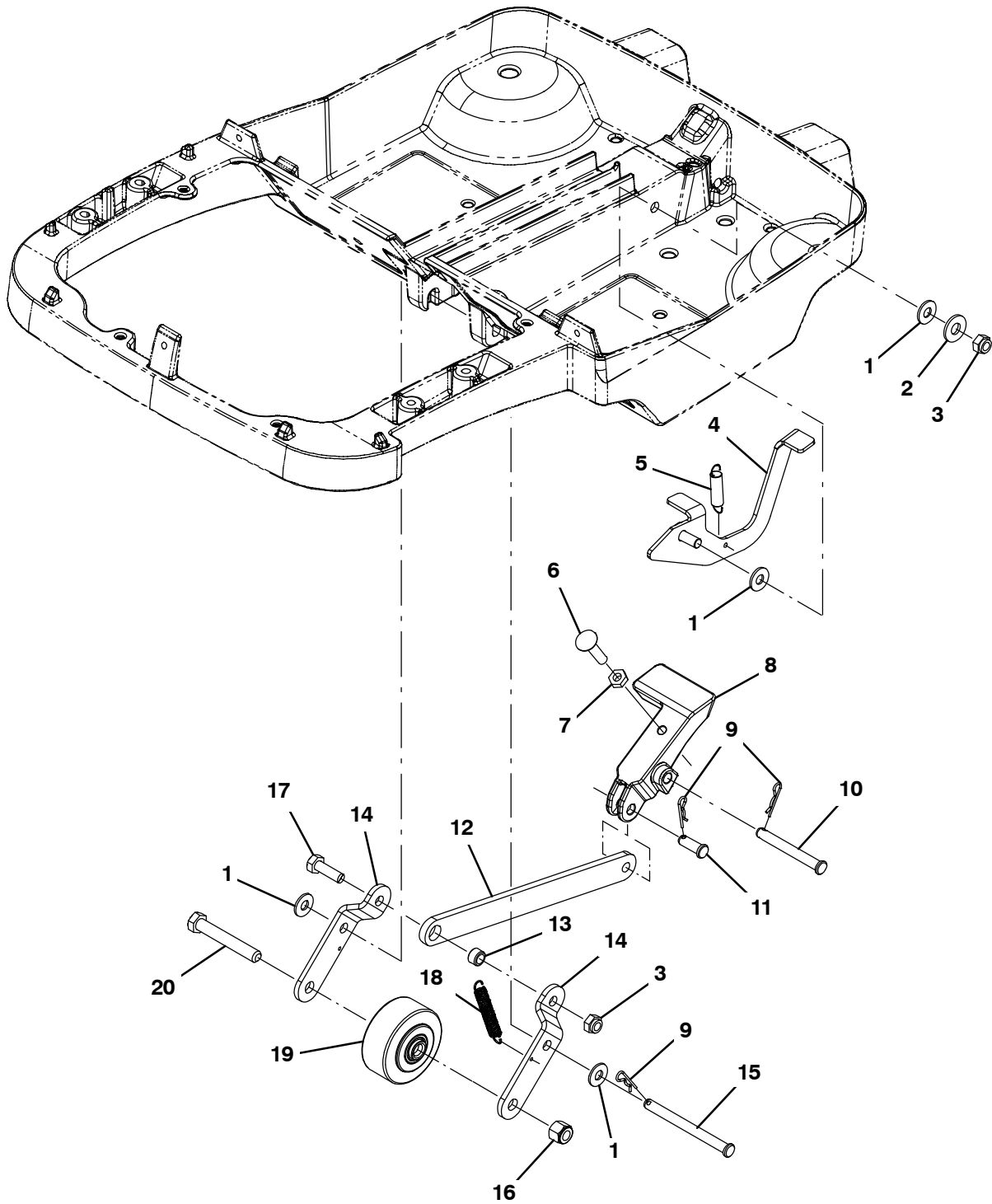
Ref.	Part No.	Serial Number	Description	Qty.	
1	1045325	(30000000-40000000)	Screw, Hex, M6 X 1.00 X 45, Ss	4	
2	07515	(30000000-40000000)	Washer, Lock, Int, 0.25, Ss	4	
3	01684	(30000000-40000000)	Washer, Flat, 0.27b 0.69d .05, Ss	4	
4	1034380	(30000000-40000000)	Housing, Brush, Sngl, 40cm	1	
▽	5	1072719	(30000000-40000000)	Motor, Ele, 115vdc 2200rpm .33hp	1
▲	6	1067897	(30000000-40000000)	Vr, Brush Kit, Motor	2
7	09162	(30000000-40000000)	Screw, Set, Soc, M6 X 1.00 X 8, NI	2	
8	1063530	(30000000-40000000)	Sheave, 07grv, 25.8pd [Ph]	1	
9	01684	(30000000-40000000)	Washer, Flat, 0.27b 0.69d .05, Ss	2	
10	07515	(30000000-40000000)	Washer, Lock, Int, 0.25, Ss	2	
11	34323	(30000000-40000000)	Screw, Hex, .25-20 X 0.75, NI	2	
12	1033197	(30000000-40000000)	Screw, Pan, Phl, M4 X 0.70 X 25, Ss	1	
13	1007109	(30000000-40000000)	Nut, Hex, Lock, M4 X 0.70, Kep, Ext	1	
14	9004283	(30000000-40000000)	Belt Kit, W/ Installation Tool	1	
15	1019349	(30000000-40000000)	Screw, Trs, M6 X 1.00 X 16, Ss, Sems	2	
16	1064397	(30000000-40000000)	Cover, Belt, Spg (Single Roller)	1	
▽	17	9008296	(30000000-40000000)	Bracket, Motor Mount W/ Bearing/Seal Kit	1
▲	18	08713	(30000000-40000000)	Nut, Hex, Lock, M8 X 1.25, NI, Ss	1
▲	19	41186	(30000000-40000000)	Washer, Flat, Belleville, .31	1
▲	20	1030625	(30000000-40000000)	Sheave, 07grv, 49.3pd	1
▲	21	1057482	(30000000-40000000)	Washer, Flat, 0.328b 0.571d 0.063, Ss	1
▲	22	1057476	(30000000-40000000)	Screw, Soc, M8 X 1.25 X 55, Ss	1
23	15678	(30000000-40000000)	Screw, Hex, M6 X 1.00 X 16, Ss	3	
24	08712	(30000000-40000000)	Nut, Hex, Lock, M6 X 1.00, NI, Ss	3	
25	140946	(30000000-40000000)	Screw, Rnd, Sltd, 06-32 X 1.00, Nyl	1	
26	130288	(30000000-40000000)	Rectifier, Bridge, Rnd, 12a 1000volt, Ce	1	
27	140534	(30000000-40000000)	Nut, Hex, #06-32, Nyl	1	
28	1037197	(30000000-40000000)	Brush, Scrub, 89mm Od X 386mm, Nylon (Standard)	1	
28	1037277	(30000000-40000000)	Brush, Scrub, 89mm Od X 386mm, Poly (Optional)	1	
28	1037278	(30000000-40000000)	Brush, Scrub, 89mm Od X 386mm, Grit (Optional)	1	
▽	29	9007962	(30000000-40000000)	Door Kit, Brush, W/ Hdwr	1
▲▽	9018438	(30000000-40000000)	Door Kit, Brush, Repair [T1b, E5]	1	
▲▲	30	1042312	(30000000-40000000)	Seal, Org, .070 X .875 Id, 020	1
▲▲	31	1030680	(30000000-40000000)	Hub, Idler, Brush	1
▲▲	32	01543	(30000000-40000000)	Ring, Retaining, Ext, 0.39d, Basic	1
▲▲	33	1030682	(30000000-40000000)	Shaft, Idler Plug	1
▲▲	34	1019349	(30000000-40000000)	Screw, Trs, M6 X 1.00 X 16, Ss, Sems	1

▽ ASSEMBLY

▲ INCLUDED IN ASSEMBLY

SCRUB HEAD LIFT GROUP

355263

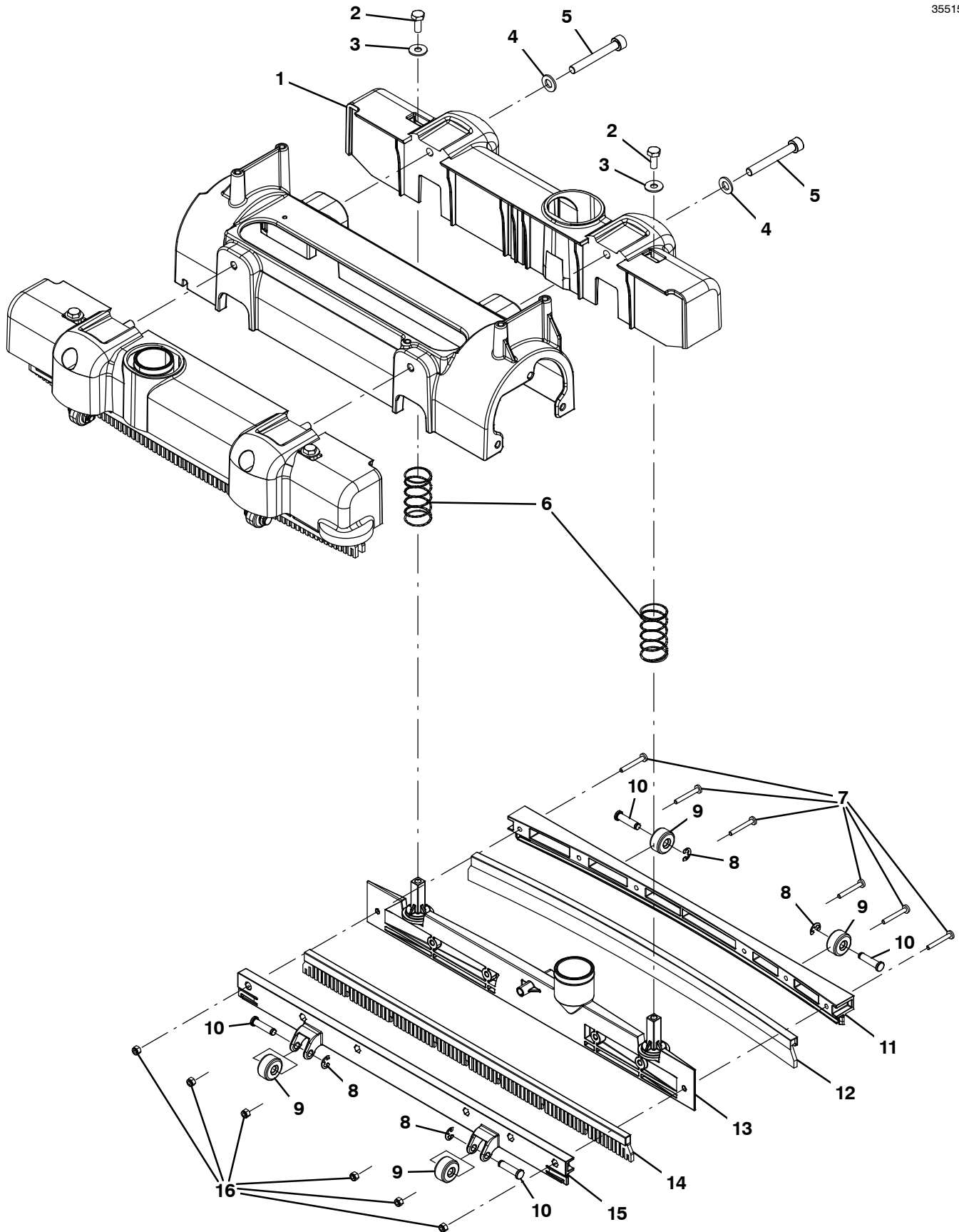


SCRUB HEAD LIFT GROUP

Ref.	Part No.	Serial Number	Description	Qty.
1	630446	(30000000-40000000)	Washer, Flat, 0.31b 0.75d .06, Nyl	3
2	140027	(30000000-40000000)	Washer, Flat, 0.35b 0.75d .04, Ss	1
3	08713	(30000000-40000000)	Nut, Hex, Lock, M8 X 1.25, NI, Ss	2
4	1034420	(30000000-40000000)	Lever, Pedal, Wheel Release	1
5	605812	(30000000-40000000)	Spring, Extn	1
6	1053751	(30000000-40000000)	Bolt, Carriage, .31-18 X 1.25, Ss	1
7	140548	(30000000-40000000)	Nut, Hex, Jam, Fin .31, Ss	1
8	1034376	(30000000-40000000)	Pedal, Foot	1
9	08085	(30000000-40000000)	Pin, Cotter, Hair, 0.31d .058 Wir	3
10	71274	(30000000-40000000)	Pin, Clevis, 0.31d X 2.62l	1
11	386987	(30000000-40000000)	Pin, Clevis, 0.31d X 0.88l	1
12	1034368	(30000000-40000000)	Arm, Linkage, Transport	1
13	222516	(30000000-40000000)	Sleeve, P/M, 0.32b 0.50d 0.3l [430ss]	1
14	1034371	(30000000-40000000)	Bracket, Transport, Wheel	2
15	1034513	(30000000-40000000)	Pin, Clevis, 0.31d X 3.50l	1
16	59156	(30000000-40000000)	Nut, Hex, Lock, .38-16, NI, Ss	1
17	09010	(30000000-40000000)	Screw, Hex, M8 X 1.25 X 25, Ss	1
18	140402	(30000000-40000000)	Spring, Extn, 0.375od 0.045wir 01.8l, Mw	1
19	1034355	(30000000-40000000)	Wheel, 02.5d 1.25w 0.38b, Rbr, Gray	1
20	27992	(30000000-40000000)	Screw, Hex, .38-16 X 2.50, G5	1

SQUEEGEE GROUP, FRONT AND REAR

355158



SQUEEGEE GROUP, FRONT AND REAR

Ref.	Part No.	Serial Number	Description	Qty.
1	1034109	(30000000-40000000)	Housing, Squeegee	2
2	01697	(30000000-40000000)	Screw, Hex, .25-20 X 0.62, Ss	4
3	01684	(30000000-40000000)	Washer, Flat, 0.27b 0.69d .05, Ss	4
4	09294	(30000000-40000000)	Screw, Soc, M8 X 1.25 X 60, 12.9	4
5	39349	(30000000-40000000)	Washer, Flat, 0.31, Sae	4
6	1030427	(30000000-40000000)	Spring, Cmpr, 0.92id .05wir 02.0l	4
7	33931	(30000000-40000000)	Screw, Pan, Phl, M4 X 0.70 X 30, Ss	12
▲▽	9008581	(30000000-40000000)	Wheel Kit, Sqge, W/ Hdwr	1
▲▲	8 1035647	(30000000-40000000)	Ring, Retaining, Ext, 0.25", [E-Ring]	8
▲▲	9 1030852	(30000000-40000000)	Roller, Squeegee	8
▲▲	10 1065608	(30000000-40000000)	Pin, Grv, 6.22d, 23.0l, Ss	8
	11 1036706	(30000000-40000000)	Retainer, Sqge, Outer, Acetal, Ig	2
	12 1050943	(30000000-40000000)	Blade Assy, Sqge, Outer, Ure	2
	13 1036676	(30000000-40000000)	Frame, Squeegee	2
	14 1057241	(30000000-40000000)	Blade Assy, Sqge, Inner, Ure	2
	15 1057243	(30000000-40000000)	Retainer, Sqge, Inner, Acetal, Blk	2
	16 33932	(30000000-40000000)	Nut, Hex, Lock, M4 X 0.70, NI, Ss	12

▽ ASSEMBLY

▲ INCLUDED IN ASSEMBLY

STANDARD PARTS

DOCUMENTATION GROUP

Ref.	Part No.	Serial Number	Description	Qty.
	9012804	(30000000–40000000)	Manual, Parts [Speedscrub, En]	1
	9003761	(30000000–40000000)	Manual, Oprtr [Speedscrub, En/Es/Fr]	1
	9004228	(30000000–40000000)	Instr, Use&Care, Wallchart [Speedscrub]	1

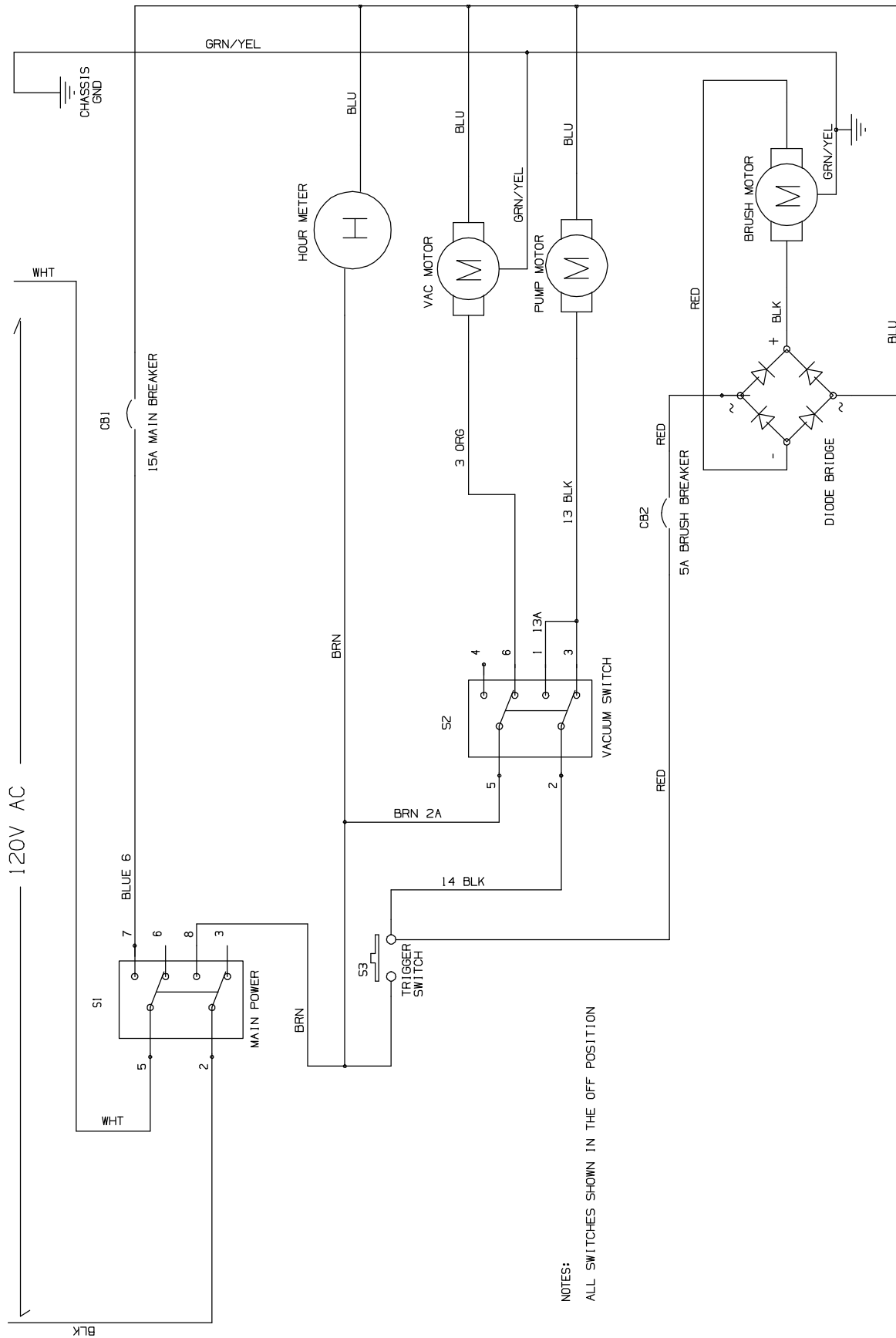


To view, print, order, download the latest Parts manual, other language Operator manuals, and Use and Care Guides (wall charts), visit:

www.nobles.com/manuals

ELECTRICAL DIAGRAM

1046178



NOTES:
ALL SWITCHES SHOWN IN THE OFF POSITION

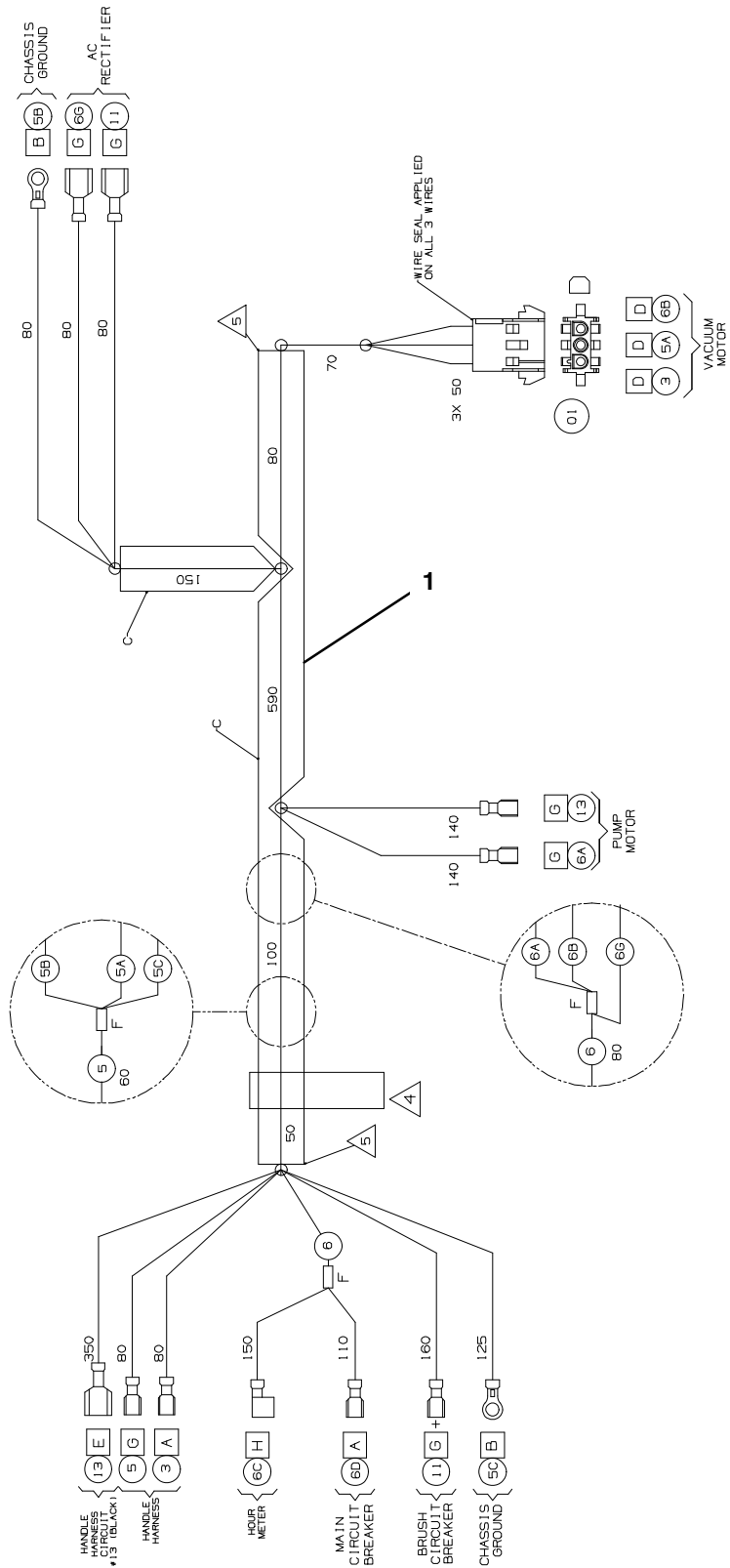
WIRE HARNESS, CHASSIS

355594

TERMINAL	TERMINAL TYPE & SIZE	MFR	MANUFACTURER'S PART NUMBER
A	.25" (16-14) FEMALE FULLY INSULATED TERMINAL.	AMP	3-350820-2
B	#8 RING TERMINAL 4.34mm DIA., 16-22 AWG	AMP	34108
C	BLACK NYLON BRAIDING		
D	CONNECTOR BODY AMP 3 CIRCUIT MATE-N-LOK, P/N: 1-480701-0	AMP	WIRE SEAL, P/N: 794272-1
E	.25" (18-22) FULLY INSULATED MALE TAB TERMINAL.	AMP	MALE TERMINAL, P/N: 350687-1
F	ALTRALSOINC CRIMP AND COVER WITH HEATSHRINK.		2-520103-2
G	.25" (18-22) FULLY INSULATED FEMALE TERMINAL.	AMP	2-520184-2
H	.25" (18-22) FEMALE FLAG TERMINAL	AMP	2-520129-2

WIRE No.	AWG	COLOR
1	18	NOT USED
2	18	BLUE
2A	18	NOT USED
2B	18	BROWN
3	14	ORANGE
4	18	NOT USED
5	18	GREEN/YELLOW
5A	18	GREEN/YELLOW
5B	18	GREEN/YELLOW
5C	18	GREEN/YELLOW
6	14	BLUE
6A	18	BLUE
6B	14	BLUE
6C	18	BLUE
6D	14	BLUE

WIRE No.	AWG	COLOR
1	18	NOT USED
2	18	NOT USED
2A	18	NOT USED
2B	18	BROWN
3	14	ORANGE
4	18	NOT USED
5	18	GREEN/YELLOW
5A	18	GREEN/YELLOW
5B	18	GREEN/YELLOW
5C	18	GREEN/YELLOW
6	14	BLUE
6A	18	BLUE
6B	14	BLUE
6C	18	BLUE
6D	14	BLUE



Ref.	Part No.	Serial Number	Description	Qty.
1	1033825	(3000000-4000000)	Harness, Chassis, Ele, Scrbr, [T-Rex]	1

