

91438 15" CVD 38 Single Motor  
Upright Vacuum

# TABLE OF CONTENTS

|  |    |
|--|----|
| CVD 30/1, CVD 38/1 Cord Hook Instructions From S/N 206313,201024 ..... | 3  |
| Front Part .....   | 5  |
| Back part .....  | 7  |
| Brush Head .....   | 10 |
| Accessories and Consumables .....                                      | 12 |
| Top Part .....   | 14 |

## CVD 30/1, CVD 38/1 Cord Hook Instructions From S/N 206313,201024

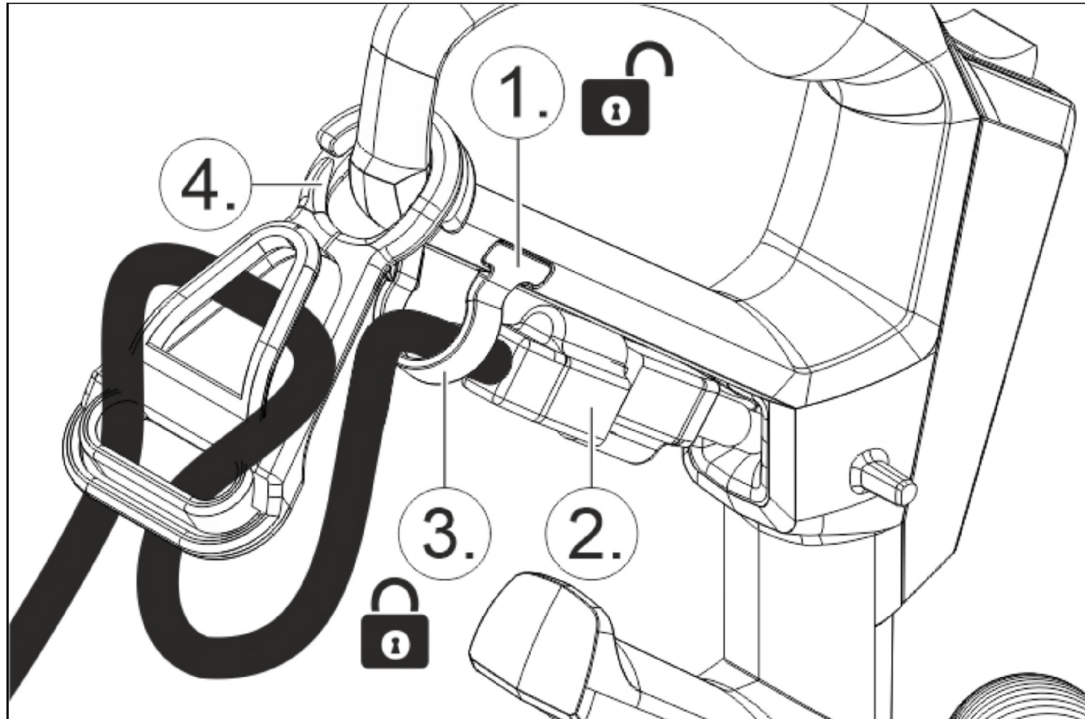
### English

#### General information

CAUTION: Be sure to mount the strain relief hook before the first initial startup of the device.

### Startup

#### Connecting the mains power cable to the device



1. Open the cable holder at the handle.
2. Plug the mains power cable into the socket on the device.
3. Secure the plug connection against unintentional unplugging using the cable holder on the handle.
4. Fit the supplied loose strain relief hook to the handle. Loop the end of the mains power cable into the strain relief hook.

### Français

#### Remarques générales

MISE EN GARDE : Avant la première mise en service de l'appareil, monter impérativement le crochet de décharge de traction.

### Mise en service

#### Raccorder le câble secteur à l'appareil

1. Ouvrir le porte-câble sur la poignée.
2. Brancher le câble secteur dans le raccordement sur l'appareil.
3. Bloquer la connexion avec le porte-câble sur la poignée contre tout débranchement intempestif.
4. Monter le crochet de décharge de traction fourni en vrac sur la poignée. Accrocher l'extrémité du câble d'alimentation en boucle dans le crochet de décharge de traction.

### Español

#### Avisos generales

ATENCIÓN: Asegurarse de colocar el gancho de alivio de tensión antes de utilizar el equipo por primera vez.

### Puesta en funcionamiento

#### Conexión del cable de red al equipo

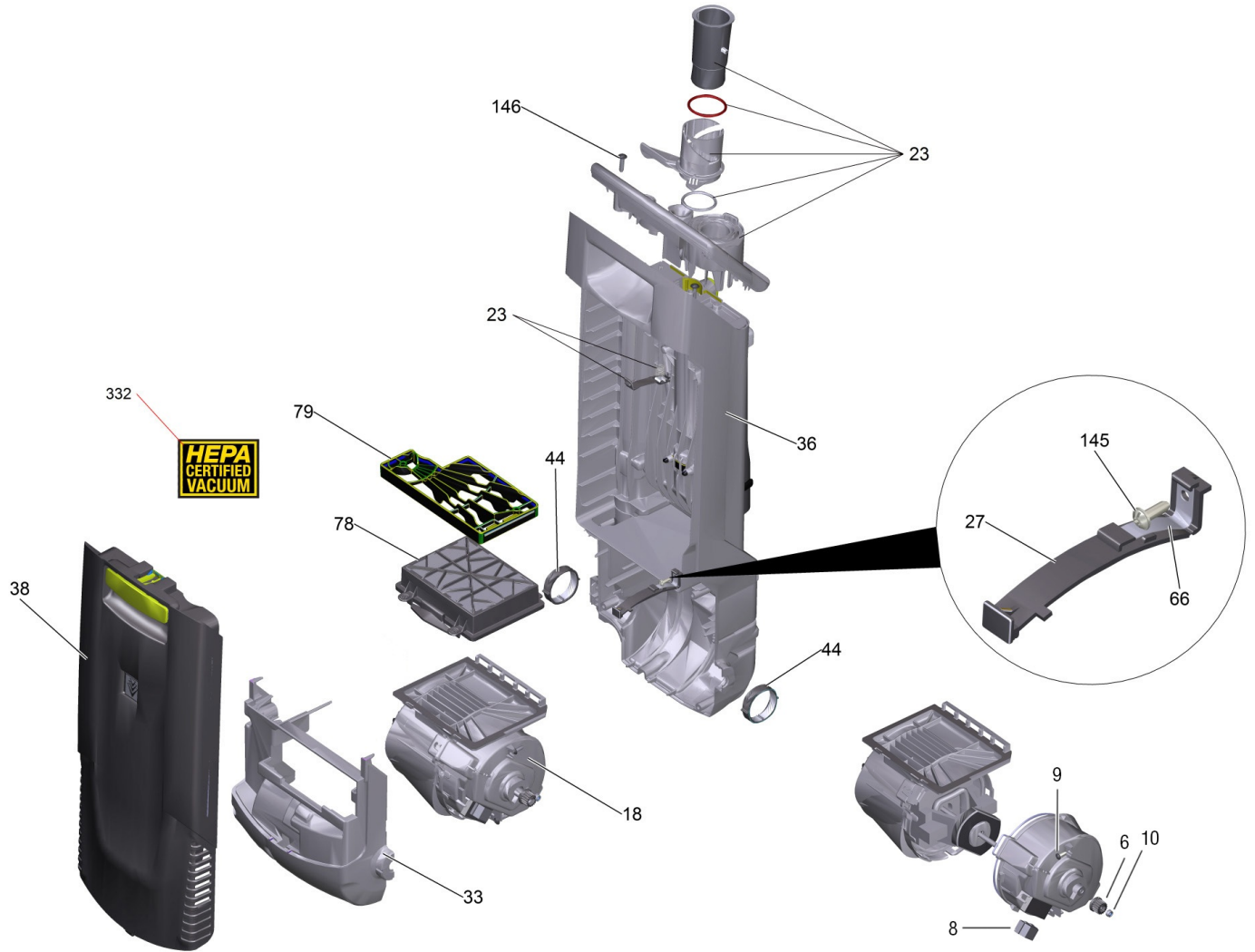
1. Abrir el portacables del asa.
2. Introducir el cable de red en la conexión del equipo.
3. Asegurar la conexión de enchufe con el portacables del asa para que no se desenchufe por error.
4. Colocar el gancho de alivio de tensión suelto en el asa. Enganchar el extremo del cable de red en forma de lazo en el gancho de alivio de tensión.

Rendered by LeadVenture, Inc.

CVD 30/1, CVD 38/1 Cord Hook Instructions From S/N 206313,201024

| <b>Ref Number</b> | <b>Part Number</b> | <b>Part Description</b> | <b>Context Notes</b> | <b>Quantity</b> |
|-------------------|--------------------|-------------------------|----------------------|-----------------|
|                   | B352-6900          | Cord Hook               |                      | 1               |

Front Part

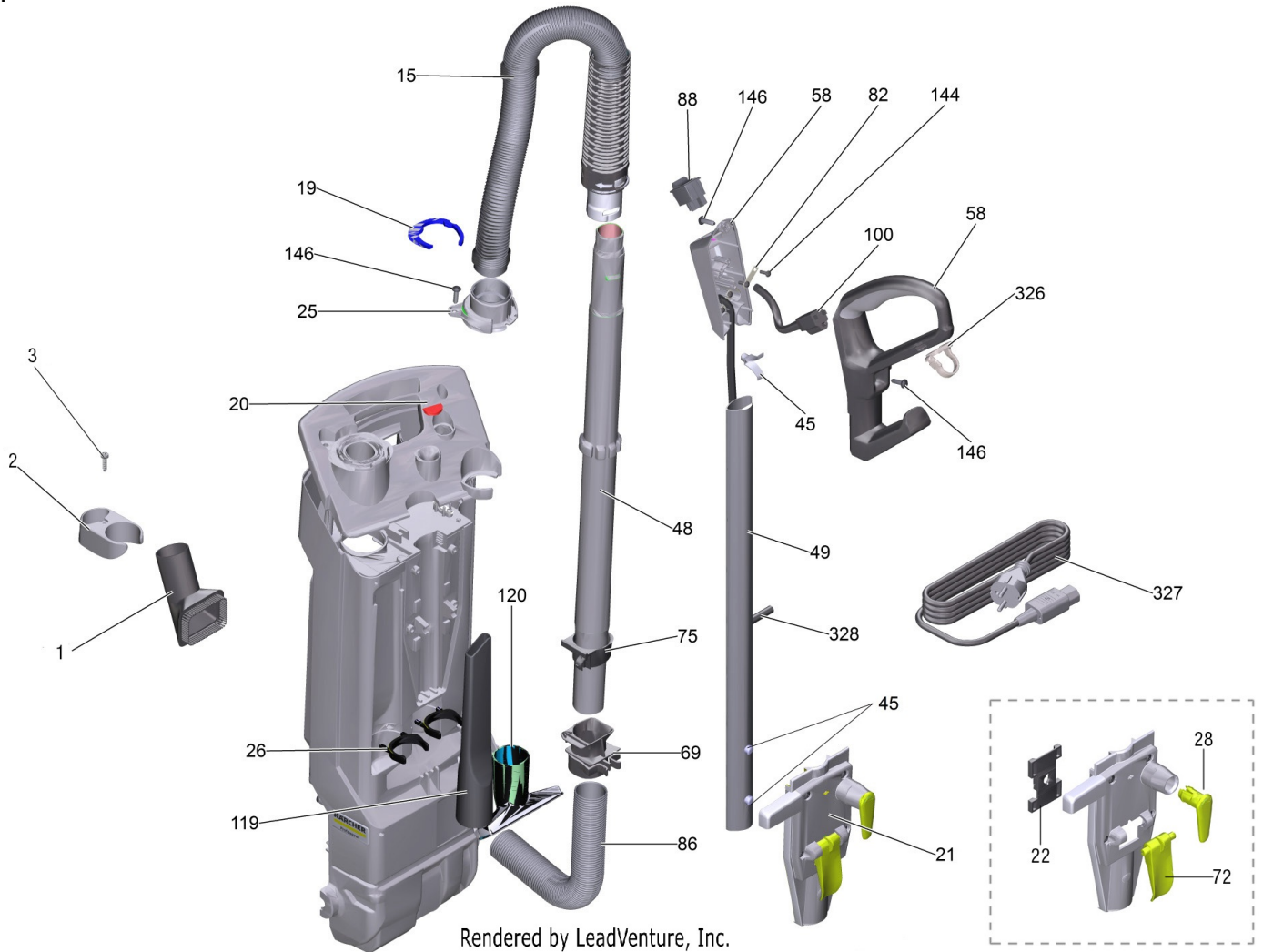


Rendered by LeadVenture, Inc.

## Front Part

| <b>Ref Number</b> | <b>Part Number</b> | <b>Part Description</b>                       | <b>Context Notes</b> | <b>Quantity</b> |
|-------------------|--------------------|---|----------------------|-----------------|
| 6                 | K53520850          | Pinion  |                      | 1               |
| 8                 | K66435510          | Terminal                                      |                      | 1               |
| 9                 | K73031060          | Screw M4 x 12                                 |                      | 4               |
| 10                | K73114310          | Nyloc Nut                                     |                      | 1               |
| 18                | K40715560          | Motor and Housing, Complete - CVD 91430/91438 |                      | 1               |
| 23                | K40715430          | Cap, Covering, Electrical - All CVD Uprights  |                      | 1               |
|                   | K54813520          | Red Lever and Tube Assembly                   |                      | 1               |
| 27                | K50428360          | Filter Holder                                 |                      | 1               |
| 33                | K40532240          | Motor Cover                                   |                      | 1               |
| 36                | K50601163          | Housing, Upper, Rear - All CVD Uprights       |                      | 1               |
| 38                | K40715440          | Cover, Front, Bag Door - All CVD Uprights     |                      | 1               |
| 44                | K42500790          | Bearing Shell 2 Pack                          |                      | 1               |
| 66                | K53323390          | Spring  |                      | 1               |
| 78                | K28892860          | HEPA Filter                                   |                      | 1               |
| 79                | K57316110          | Filter,Vacuum,Intake                          |                      | 1               |
| 145               | K73031060          | Screw M4 x 12                                 |                      | 4               |
| 146               | K73031080          | Screw M5 x 20                                 |                      | 2               |
| 332               | K53981400          | HEPA Label                                    |                      | 1               |

Back part



Rendered by LeadVenture, Inc.

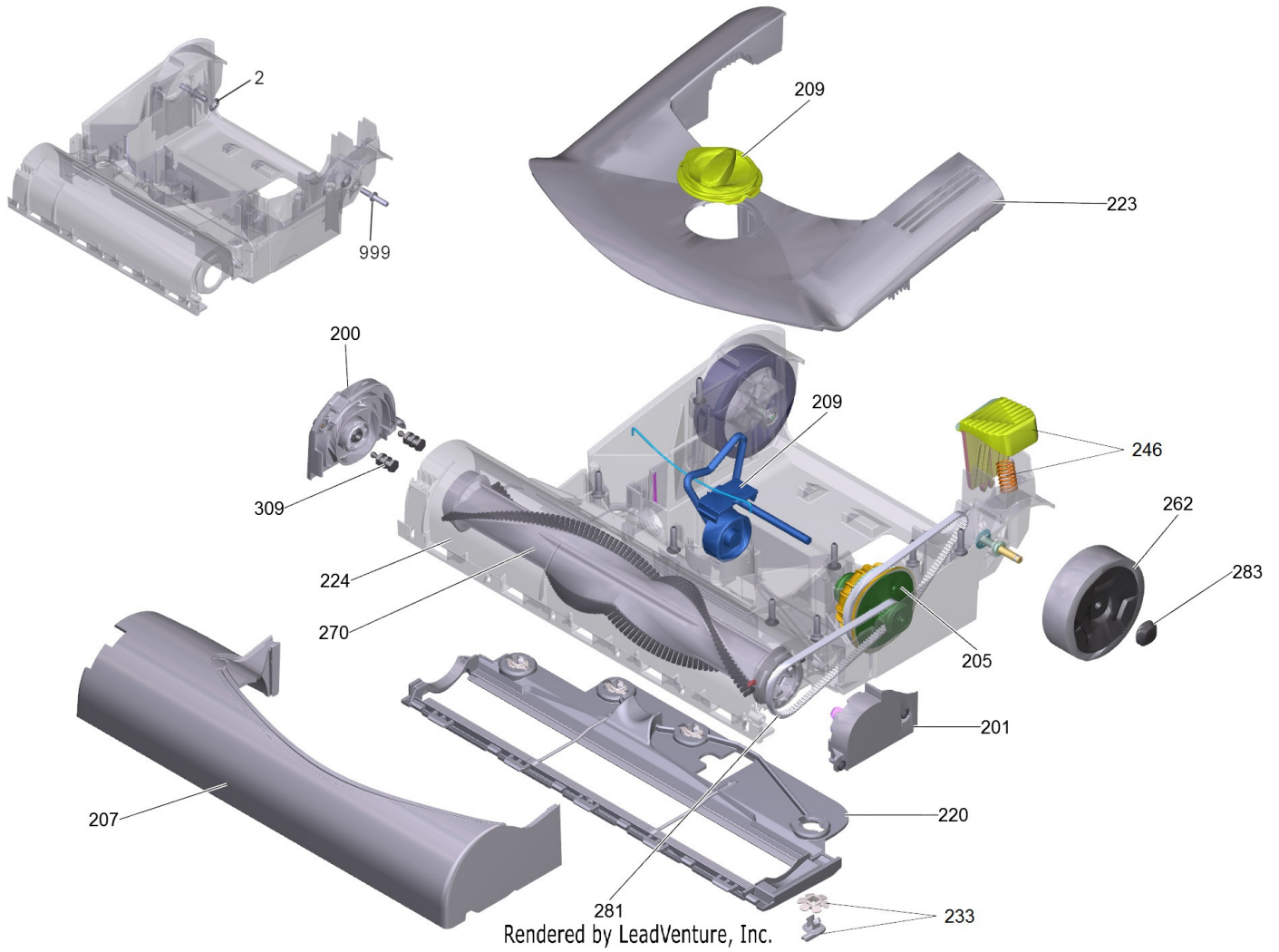
## Back part

| <b>Ref Number</b> | <b>Part Number</b> | <b>Part Description</b>                                      | <b>Context Notes</b> | <b>Quantity</b> |
|-------------------|--------------------|--|----------------------|-----------------|
| 1                 | K42620150          | Accessories Kit Clamp  |                      | AR              |
| 2                 | K42620150          | Accessories Kit Clamp  |                      | AR              |
| 3                 | K42620150          | Accessories Kit Clamp  |                      | AR              |
| 15                | K63919340          | Suction Hose   |                      | 1               |
| 19                | K50310110          | Locking Ring   |                      | 1               |
| 20                | K50314923          | Lens, Clear - All CVD Uprights                               |                      | 1               |
| 22                | K50324480          | Clamp  |                      | 1               |
| 21                | K40320030          | Complete Cover   |                      | 1               |
| 25                | K50325400          | Connection Piece   |                      | 1               |
| 26                | K50411110          | Accessory Clip   |                      | 2               |
| 28                | K50446610          | Cord Hook  |                      | 1               |
| 45                | K50331950          | Spring, Handle - All CVD Uprights                            |                      | 3               |
| 48                | K51290460          | Wand   |                      | 1               |
| 49                | K40715420          | Handle Shaft, Replacement - All CVD Uprights                 |                      | 1               |
| 58                | K40715410          | Handhold, Complete (2 pieces) - All CVD Uprights             |                      | 1               |
| 69                | K54071150          | Wand Sleeve  |                      | 1               |
| 72                | K54813450          | Lever  |                      | 1               |
| 75                | K55700750          | Suction Tube Ring  |                      | 1               |
| 82                | K69032410          | Clamp  |                      | 3               |
| 86                | K63911150          | Suction Hose   |                      | 1               |
| 88                | K66306780          | Rocker Switch  |                      | 1               |
| 100               | K66509113          | Cable, Power, Handhold, Pigtail Mail Plug - All CVD Uprights |                      | 1               |
| 119               | K69062400          | Crevice Tool   |                      | 1               |
| 120               | K69059980          | Upholstery Nozzle  |                      | 1               |
| 144               | K63033180          | SCREW 3,5X12 10.9 R2R (IN6RD)                                |                      | 7               |
| 146               | K73031080          | Screw M5 x 20  |                      | 21              |
| 326               | K54104453          | Holder, Cable Lock, Pigtail/Ext. Cord - All CVD Uprights     |                      | 1               |



| <b>Ref Number</b> | <b>Part Number</b> | <b>Part Description</b>  | <b>Context Notes</b> | <b>Quantity</b> |
|-------------------|--------------------|--|----------------------|-----------------|
| 327               | K28894170          | Cord, Power, 18/3 - 40' Extension, RAL 1018 - All CVD Uprights |                      | 1               |
| 328               | K66509713          | Cable, Power, Handle - All CVD Uprights                        |                      | 1               |
| 334               | K42620150          | Accessories Kit Clamp  |                      | 1               |

### Brush Head



## Brush Head

| <b>Ref Number</b> | <b>Part Number</b> | <b>Part Description</b>  | <b>Context Notes</b> | <b>Quantity</b> |
|-------------------|--------------------|--|----------------------|-----------------|
| 2                 | K63431190          | Lock Washer  |                      | 2               |
| 200               | K40630243          | Cap, Covering, Roller Brush Access, Complete - All CVD Uprights    |                      | 1               |
| 201               | K40637740          | Complete Covering Cap (Belt Side)                                  |                      | 1               |
| 205               | K44700220          | Coupling Clutch  |                      | 1               |
| 207               | K50324560          | SHOCK ABSORBER   |                      | 1               |
| 209               | K45153350          | Wheel, Adjusting, Complete - CVD 91430/91438                       |                      | 1               |
| 220               | K40715590          | Glide Sole, Bottom Plate - CVD 91438                               |                      | 1               |
| 223               | K50628063          | Cover, Top Hood - CVD 91430/91438                                  |                      | 1               |
| 224               | K40606980          | HOUSING COMPLETE CV38/1  |                      | 1               |
| 233               | K40715460          | Lock Piece Kit, Glide Sole - All CVD Uprights                      |                      | 3               |
| 246               | K44812650          | Complete Floor Pedal   |                      | 1               |
| 262               | K55153740          | Rear Wheel   |                      | 2               |
| 270               | K69066440          | Brush Roll,Upright Vacuum,Red Bristle,Agitator                     |                      | 1               |
| 270               | K69066430          | Brush, Roller Black CV 38 Soft                                     |                      | 1               |
| 281               | K28842740          | Belt Set (Front and Back)  |                      | 1               |
| 283               | K63431870          | Lock Washer  |                      | 2               |
| 309               | K53160213          | insert, Spherical Head, Roller Brush Access Cap - All CVD Uprights |                      | 2               |
| 999               | K94121780          | Axle Shaft   |                      | 2               |

# Accessories and Consumables

1



2



3



4



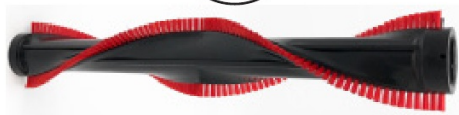
5



6



7



8



9

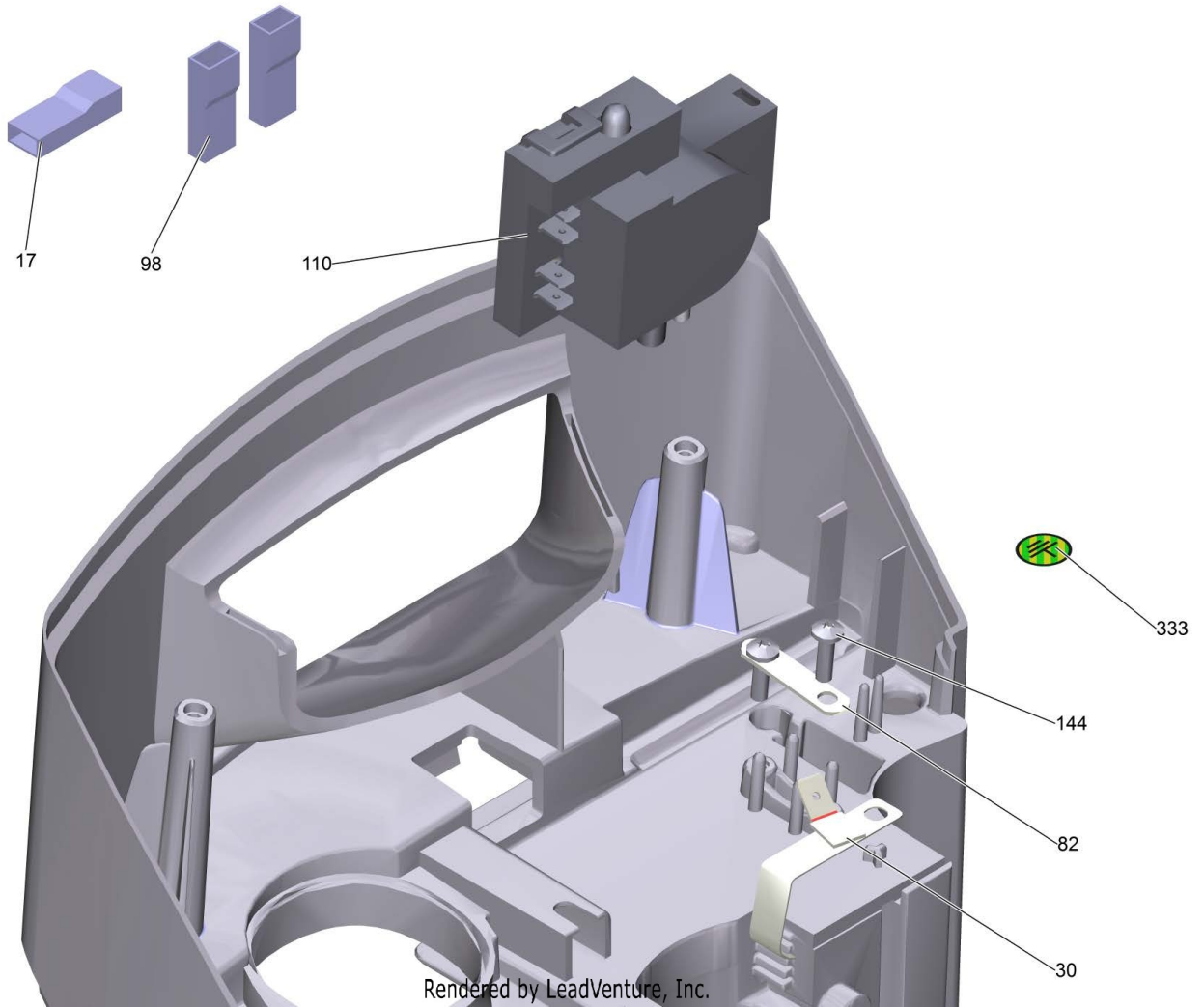


Rendered by LeadVenture, Inc.

## Accessories and Consumables

| <b>Ref Number</b> | <b>Part Number</b> | <b>Part Description</b>                        | <b>Context Notes</b> | <b>Quantity</b> |
|-------------------|--------------------|--|----------------------|-----------------|
| 1                 | K69043050          | Clean Breeze Vacuum Bag 10 Pack, Disposable    |                      |                 |
| 2                 | K28842740          | Belt Set (Front and Back)                      |                      |                 |
| 3                 | K28892860          | HEPA Filter                                    |                      |                 |
| 4                 | K57316110          | Filter,Vacuum,Intake                           |                      |                 |
| 5                 | K69066430          | Brush, Roller Black CV 38 Soft                 |                      |                 |
| 6                 | K69043010          | Fabric Vacuum Filter Bag                       |                      |                 |
| 7                 | K69066440          | Brush Roll,Upright Vacuum,Red Bristle,Agitator |                      |                 |
| 8                 | K69042940          | Paper Vacuum Bag 10 Pack                       |                      |                 |
| 9                 | K47624870          | ROLLER BRUSH ANTI STATIC CV 38/2               |                      |                 |

Top Part



## Top Part

| <b>Ref Number</b> | <b>Part Number</b> | <b>Part Description</b>       | <b>Context Notes</b> | <b>Quantity</b> |
|-------------------|--------------------|-------------------------------|----------------------|-----------------|
| 17                | K66477480          | Insulation Sheath             |                      | 1               |
| 30                | K50346890          | Grounding Strap               |                      | 1               |
| 82                | K69032410          | Clamp                         |                      | 1               |
| 98                | K66477490          | Insulation Sheath             |                      | 4               |
| 110               | K46820010          | PC Board                      |                      | 1               |
| 144               | K63033180          | SCREW 3,5X12 10.9 R2R (IN6RD) |                      | 2               |
| 333               | K66431450          | EARTH SYMBOL                  |                      | 1               |