

91430 12" CVD 30 Single Motor
Upright Vacuum

TABLE OF CONTENTS

CVD 30/1, CVD 38/1 Cord Hook Instructions From S/N 206313,201024	3
Front Part	5
Back part	7
Brush Head	10
Accessories and Consumables	12
Top Part	14

CVD 30/1, CVD 38/1 Cord Hook Instructions From S/N 206313,201024

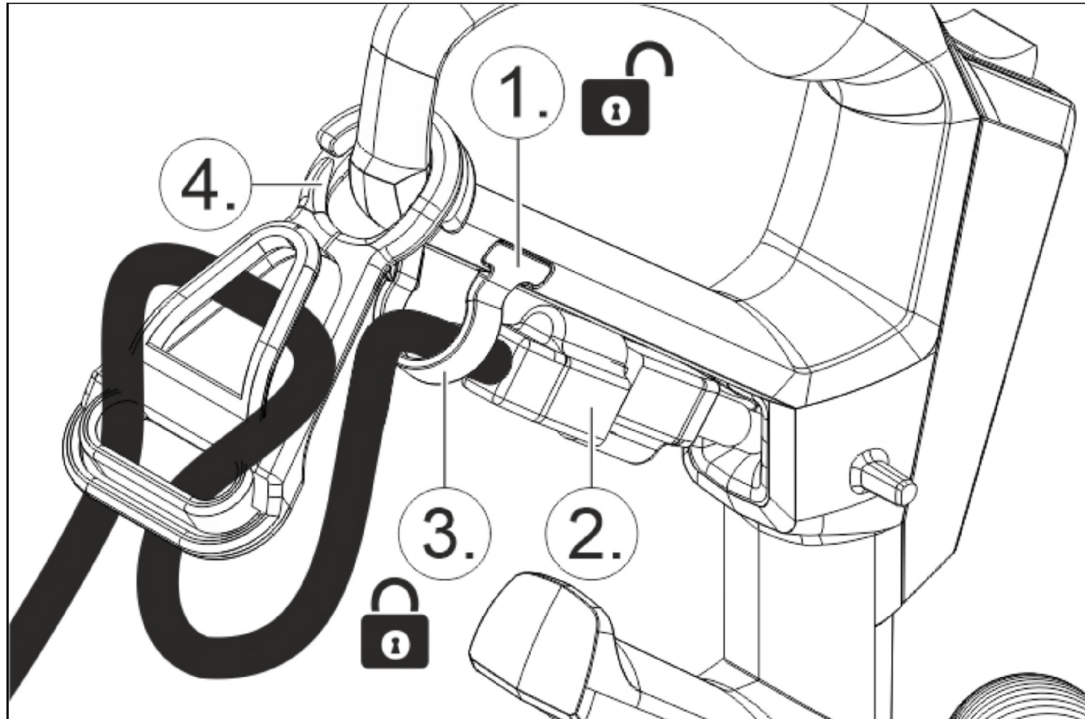
English

General information

CAUTION: Be sure to mount the strain relief hook before the first initial startup of the device.

Startup

Connecting the mains power cable to the device



1. Open the cable holder at the handle.
2. Plug the mains power cable into the socket on the device.
3. Secure the plug connection against unintentional unplugging using the cable holder on the handle.
4. Fit the supplied loose strain relief hook to the handle. Loop the end of the mains power cable into the strain relief hook.

Français

Remarques générales

MISE EN GARDE : Avant la première mise en service de l'appareil, monter impérativement le crochet de décharge de traction.

Mise en service

Raccorder le câble secteur à l'appareil

1. Ouvrir le porte-câble sur la poignée.
2. Brancher le câble secteur dans le raccordement sur l'appareil.
3. Bloquer la connexion avec le porte-câble sur la poignée contre tout débranchement intempestif.
4. Monter le crochet de décharge de traction fourni en vrac sur la poignée. Accrocher l'extrémité du câble d'alimentation en boucle dans le crochet de décharge de traction.

Español

Avisos generales

ATENCIÓN: Asegurarse de colocar el gancho de alivio de tensión antes de utilizar el equipo por primera vez.

Puesta en funcionamiento

Conexión del cable de red al equipo

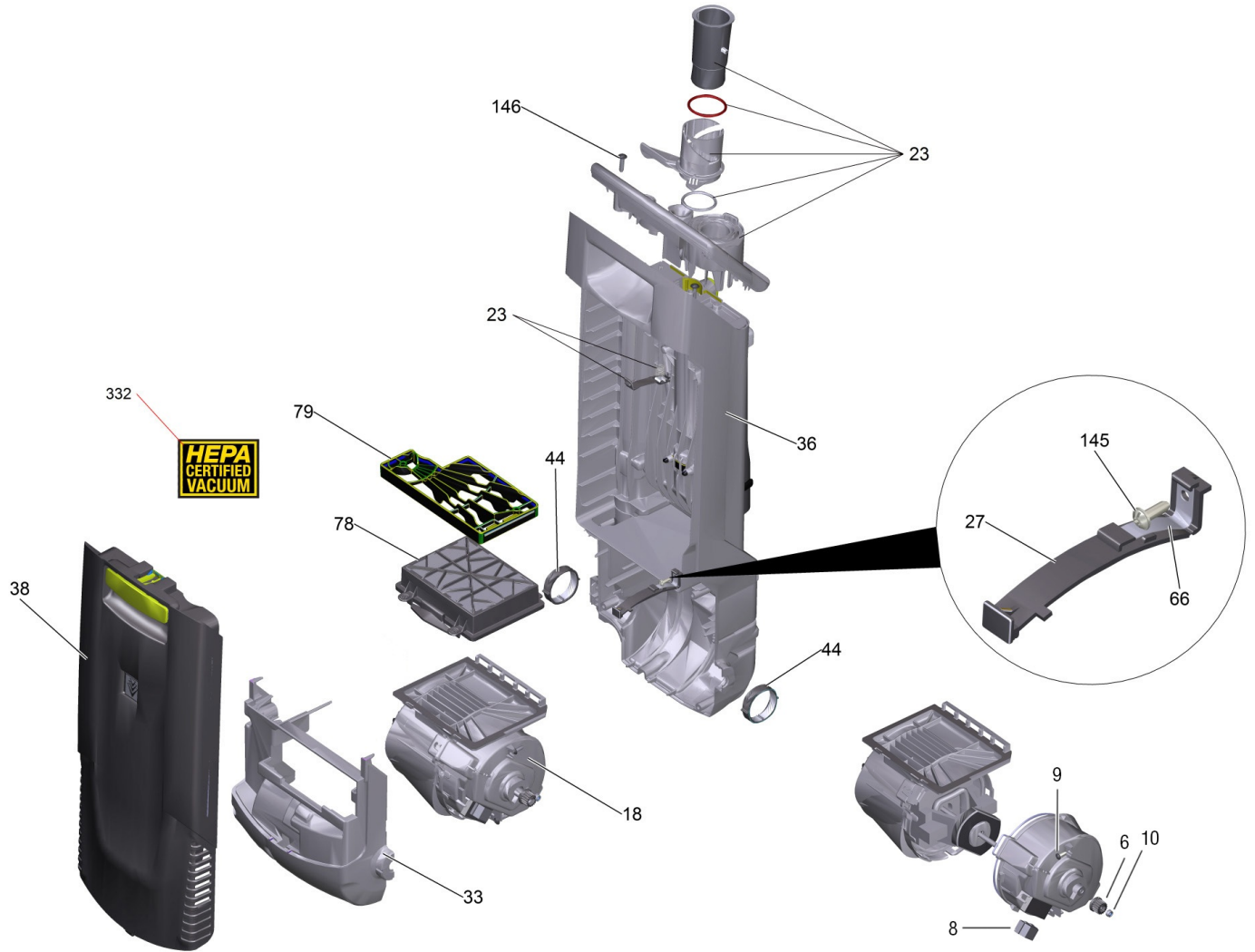
1. Abrir el portacables del asa.
2. Introducir el cable de red en la conexión del equipo.
3. Asegurar la conexión de enchufe con el portacables del asa para que no se desenchufe por error.
4. Colocar el gancho de alivio de tensión suelto en el asa. Enganchar el extremo del cable de red en forma de lazo en el gancho de alivio de tensión.

Rendered by LeadVenture, Inc.

CVD 30/1, CVD 38/1 Cord Hook Instructions From S/N 206313,201024

Ref Number	Part Number	Part Description	Context Notes	Quantity
	B352-6900	Cord Hook		1

Front Part

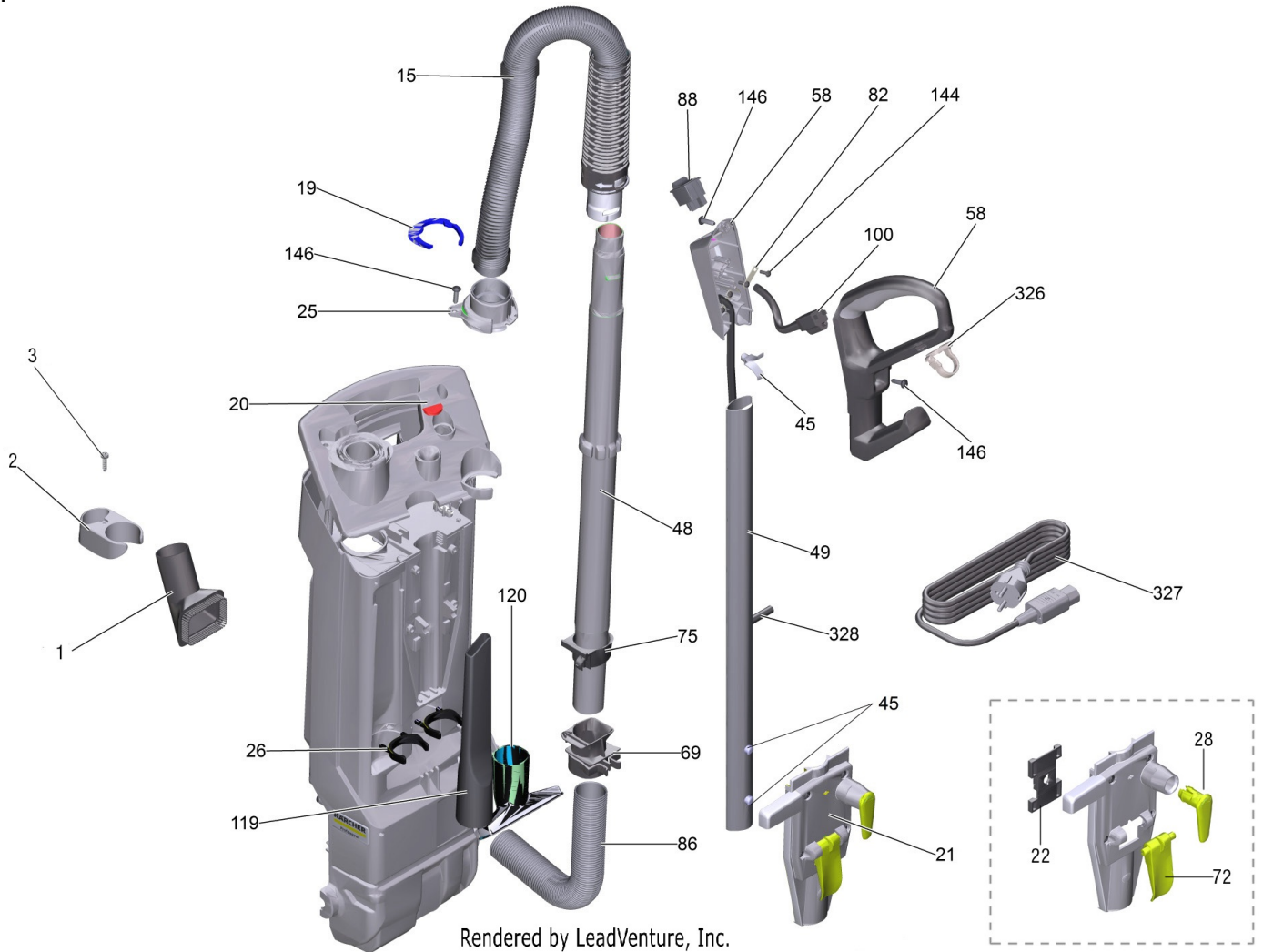


Rendered by LeadVenture, Inc.

Front Part

Ref Number	Part Number	Part Description	Context Notes	Quantity
6	K53520850	Pinion		1
8	K66435510	Terminal		1
9	K73031060	Screw M4 x 12		4
10	K73114310	Nyloc Nut		1
18	K40715560	Motor and Housing, Complete - CVD 91430/91438		1
23	K40715430	Cap, Covering, Electrical - All CVD Uprights		1
	K54813520	Red Lever and Tube Assembly		1
27	K50428360	Filter Holder		1
33	K40532240	Motor Cover		1
36	K50601163	Housing, Upper, Rear - All CVD Uprights		1
38	K40715440	Cover, Front, Bag Door - All CVD Uprights		1
44	K42500790	Bearing Shell 2 Pack		1
66	K53323390	Spring		1
78	K28892860	HEPA Filter		1
79	K57316110	Filter,Vacuum,Intake		1
145	K73031060	Screw M4 x 12		4
146	K73031080	Screw M5 x 20		2
332	K53981400	HEPA Label		1

Back part



Rendered by LeadVenture, Inc.

Back part

Ref Number	Part Number	Part Description	Context Notes	Quantity
1	K42620150	Accessories Kit Clamp		AR
2	K42620150	Accessories Kit Clamp		AR
3	K42620150	Accessories Kit Clamp		AR
15	K63919340	Suction Hose		1
19	K50310110	Locking Ring		1
20	K50314923	Lens, Clear - All CVD Uprights		1
22	K50324480	Clamp		1
21	K40320030	Complete Cover		1
25	K50325400	Connection Piece		1
26	K50411110	Accessory Clip		2
28	K50446610	Cord Hook		1
45	K50331950	Spring, Handle - All CVD Uprights		3
48	K51290460	Wand		1
49	K40715420	Handle Shaft, Replacement - All CVD Uprights		1
58	K40715410	Handhold, Complete (2 pieces) - All CVD Uprights		1
69	K54071150	Wand Sleeve		1
72	K54813450	Lever		1
75	K55700750	Suction Tube Ring		1
82	K69032410	Clamp		3
86	K63911150	Suction Hose		1
88	K66306780	Rocker Switch		1
100	K66509113	Cable, Power, Handhold, Pigtail Mail Plug - All CVD Uprights		1
119	K69062400	Crevice Tool		1
120	K69059980	Upholstery Nozzle		1
144	K63033180	SCREW 3,5X12 10.9 R2R (IN6RD)		7
146	K73031080	Screw M5 x 20		21
326	K54104453	Holder, Cable Lock, Pigtail/Ext. Cord - All CVD Uprights		1

Ref Number	Part Number	Part Description	Context Notes	Quantity
327	K28894170	Cord, Power, 18/3 - 40' Extension, RAL 1018 - All CVD Uprights		1
328	K66509713	Cable, Power, Handle - All CVD Uprights		1
334	K42620150	Accessories Kit Clamp		1

Brush Head

Ref Number	Part Number	Part Description	Context Notes	Quantity
2	K63431190	Lock Washer		2
200	K40630243	Cap, Covering, Roller Brush Access, Complete - All CVD Uprights		1
201	K40637740	Complete Covering Cap (Belt Side)		1
205	K44700220	Coupling Clutch		1
207	K50324043	Bumper		1
209	K45153350	Wheel, Adjusting, Complete - CVD 91430/91438		1
220	K50591403	Glide Sole, Bottom Plate - Fits CV & CVD 30/1 models		1
223	K50628063	Cover, Top Hood - CVD 91430/91438		1
224	K40606970	Complete Housing		1
233	K40715460	Lock Piece Kit, Glide Sole - All CVD Uprights		3
246	K44812650	Complete Floor Pedal		1
262	K55153740	Rear Wheel		2
270	K69066420	Brush Roll (Red Hard)		1
270	K69066410	Brush Roll (Black Soft Standard)		1
281	K28842740	Belt Set (Front and Back)		1
283	K63431870	Lock Washer		2
309	K53160213	insert, Spherical Head, Roller Brush Access Cap - All CVD Uprights		2
999	K94121780	Axle Shaft		2

Accessories and Consumables

1



2



3



4



5



6



7



8

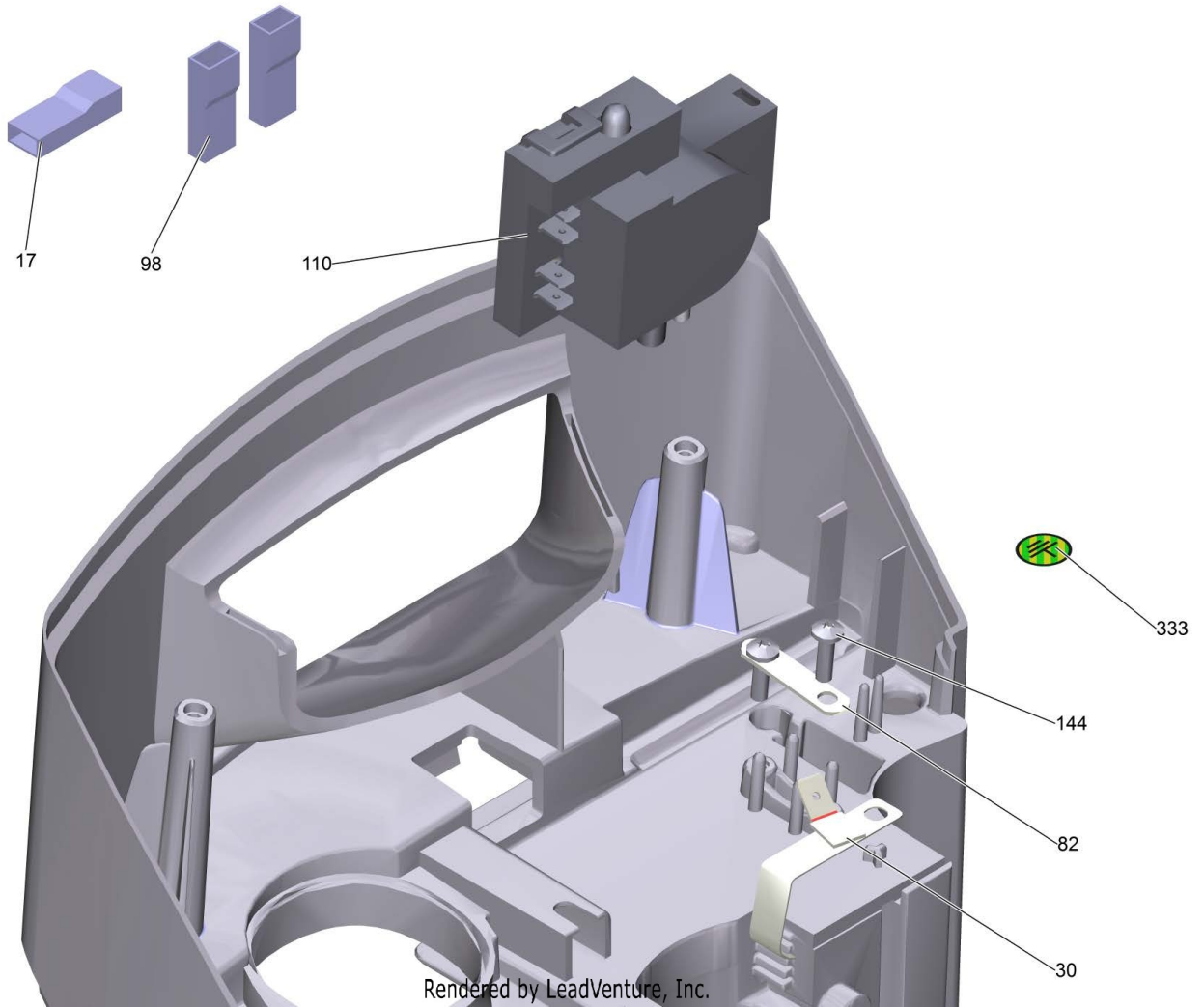


Rendered by LeadVenture, Inc.

Accessories and Consumables

Ref Number	Part Number	Part Description	Context Notes	Quantity
1	K69043050	Clean Breeze Vacuum Bag 10 Pack, Disposable		
2	K28842740	Belt Set (Front and Back)		
3	K28892860	HEPA Filter		
4	K57316110	Filter,Vacuum,Intake		
5	K69066410	Brush Roll (Black Soft Standard)		
6	K69043010	Fabric Vacuum Filter Bag		
7	K69066420	Brush Roll (Red Hard)		
8	K69042940	Paper Vacuum Bag 10 Pack		

Top Part



Top Part

Ref Number	Part Number	Part Description	Context Notes	Quantity
17	K66477480	Insulation Sheath		1
30	K50346890	Grounding Strap		1
82	K69032410	Clamp		1
98	K66477490	Insulation Sheath		4
110	K46820010	PC Board		1
144	K63033180	SCREW 3,5X12 10.9 R2R (IN6RD)		2
333	K66431450	EARTH SYMBOL		1