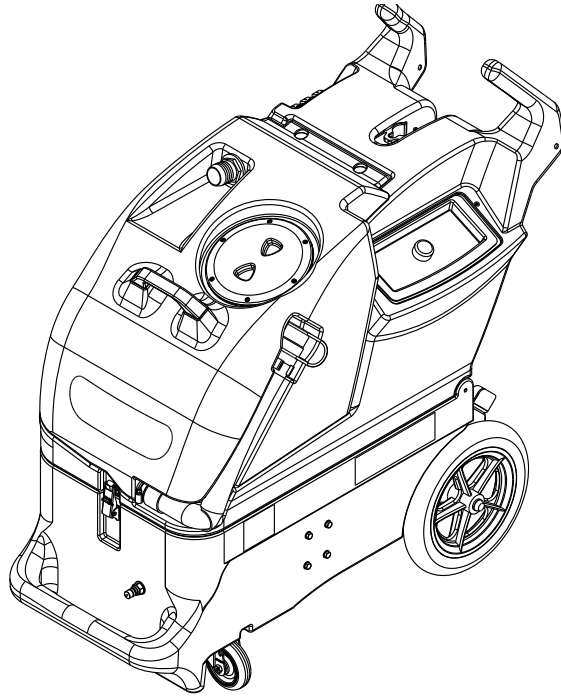

Clarke®

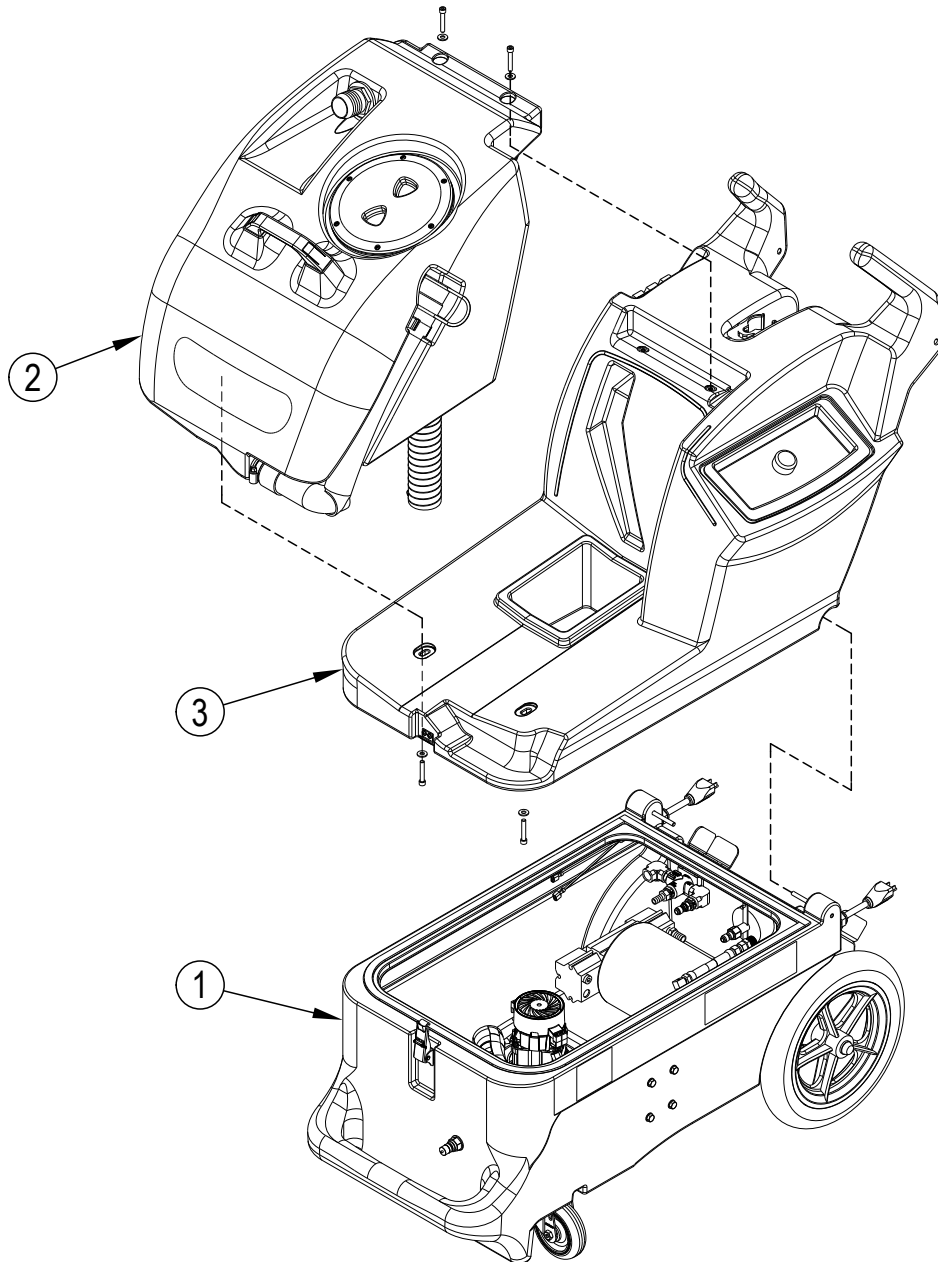
EX20



Parts List

Models: 56105288 (100C) (cold), 56105289 (100H) (heated),
56105290 (100SC) (single cord, heated)

GENERAL VIEW



| Item | Ref. No. | Qty | Description |
|------|----------|-----|-----------------|
| 1 | | 1 | Base System |
| 2 | | 1 | Recovery System |
| 3 | | 1 | Solution System |

TABLE OF CONTENTS

| DESCRIPTION | PAGE |
|--|---------|
| General View | 2 |
| Decal System..... | 4 - 5 |
| Base System Heated..... | 6 - 7 |
| Base System Cold | 8 - 9 |
| Recovery System..... | 10 - 11 |
| Solution System..... | 12 - 13 |
| Ladder Diagram - Single Cord Heated..... | 14 |
| Ladder Diagram - Dual Cord Heated..... | 15 |
| Ladder Diagram - Single Cord Cold..... | 16 |
| Options & Accessories..... | 17 |
| Water Flow Diagram Heated..... | 18 |
| Water Flow Diagram Cold..... | 19 |

WHEN ORDERING PARTS

* Use the part numbers from the "Ref. No." columns in this parts list. If the "Ref. No." column is blank; look under the "Kit" column to identify which kit contains the part in question, then use the kit callout, for example "K1", to find the "Ref. No." for that kit.

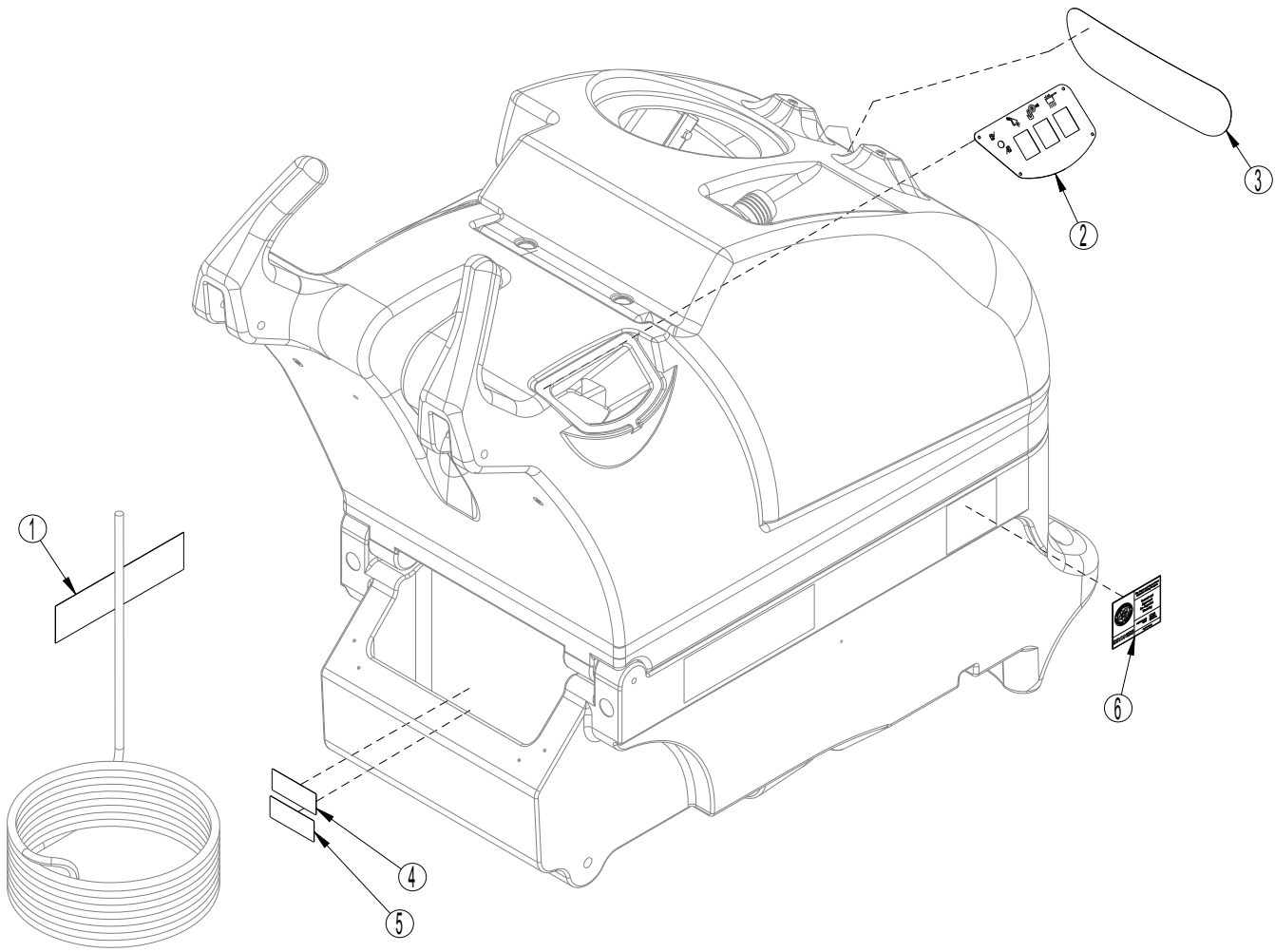
| Kit | Item | Ref. No. | Qty | Description |
|-----|------|----------|-----|---------------------------------|
| K1 | 1 | | 16 | Washer Flat 3/16 Zinc Plat |
| K1 | 2 | | 2 | Screw-BHS-Brass-10-32x3/8-MS |
| K1 | 3 | | 3 | Washer EPDM 7/32 X 1/8 |
| | 4 | 805 | 1 | Chain-Cover |
| | 5 | 905 | 2 | Caster Swivel 4 Gray Non MA |
| K1 | 6 | | 2 | Nut, Hex Nyl Loc 10-24 |
| K1 | 7 | | 3 | Scr- Hex SS 1/4-20 X .75 |
| K1 | 8 | | 16 | Scr, Hex Hd Loc 1/4-20 x .50 |
| K1 | 9 | | 3 | Wsh, Flt SS .260 X 1.000 X .074 |
| | 10 | 56113012 | 1 | Solution Tank |
| | 11 | 56113034 | 2 | Hinge Plate |
| K1 | | 56113103 | 1 | Kit-Hardware Solution Tank |

* Specify the model and serial number of the machine.

* Use the space below to record the model and serial number for future reference.

Model _____ Serial No. _____

DECAL SYSTEM

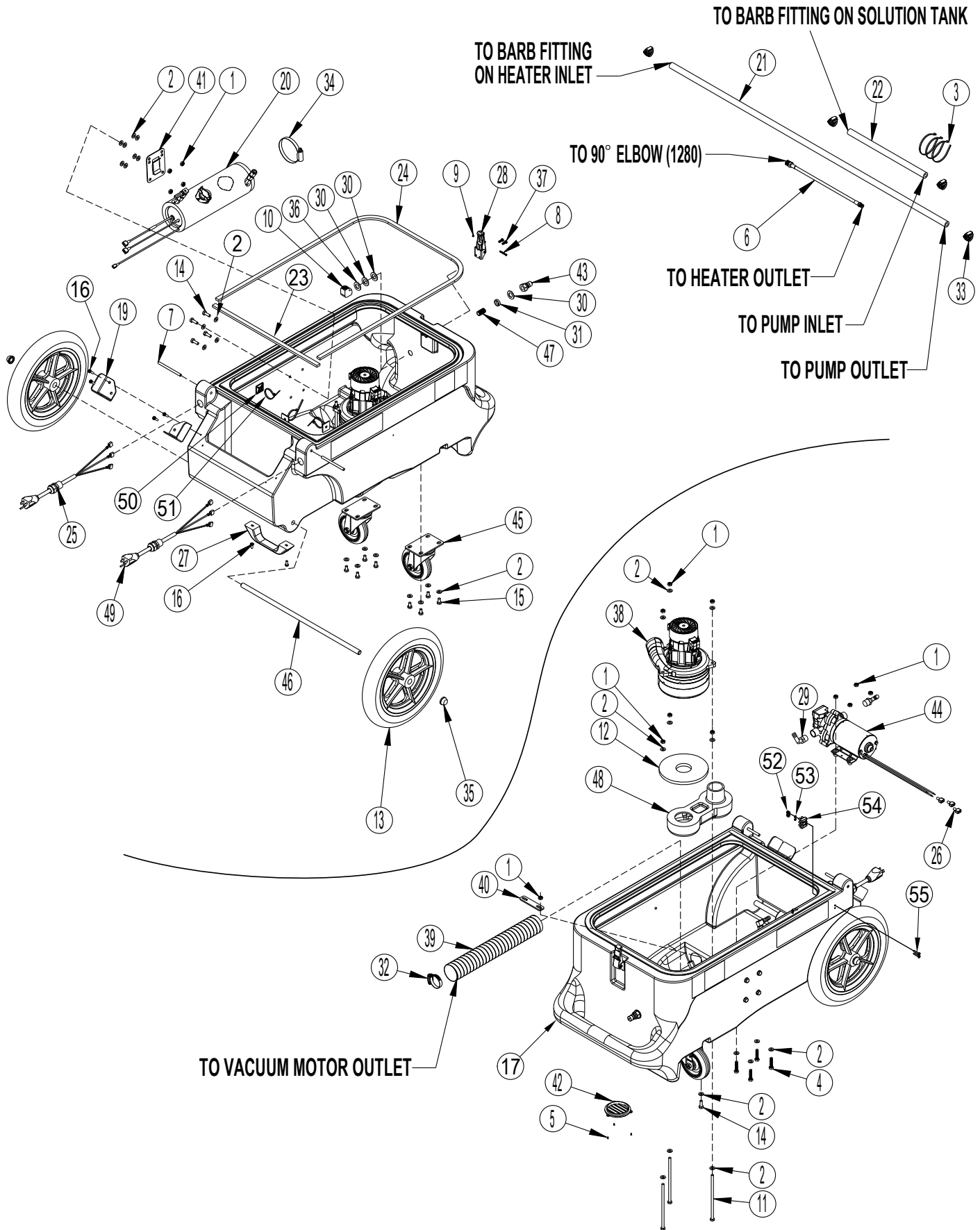


DECAL SYSTEM

| <u>Item</u> | <u>Ref. No.</u> | <u>Qty</u> | <u>Description</u> |
|-------------|-----------------|------------|--|
| 1 | 4339 | 1 | Label Caution / Extension Cord qty of 2 used on 100H (model 56105289) |
| 2 | 56105380 | 1 | Switchplate Overlay-100 SC only used on 100SC (model 56105290) |
| | 56105381 | 1 | Switchplate Overlay-100 only used on 100H (model 56105289) |
| | 56105441 | 1 | Switchplate Overlay 100C only used on 100C (model 56105288) |
| 3 | 56113166 | 1 | Decal-EX20 |
| 4 | 56380692 | 1 | Label Danger Electric Shock |
| 5 | 1503A | 1 | Label Danger Electric Shock NOTE 1 |
| 6 | 2001A-CRI | 2 | Decal-CRI Bronze NOTE 1 |

NOTE 1 = Only used on 100H (models 56105289)

BASE SYSTEM HEATED



BASE SYSTEM HEATED

| Kit | Item | Ref. No. | Qty | Description |
|-----|------|----------|-----|--------------------------------------|
| K1 | 1 | | 15 | Nut-Nylock-Zp-1-4-20 |
| K1 | 2 | | 34 | Washer Flat 3/16 Zinc Plat |
| | 3 | 79 | 3 | Tie, 8" Black |
| K1 | 4 | | 4 | Bolt-Hex-Ss-Zinc Plate-1/4-20x1-1/4 |
| K1 | 5 | | 3 | Screw-Fhp-Ss-2x1/4-Sms |
| | 6 | 313 | 1 | Hose S/S Braided Teflon 1/4 |
| | 7 | 801 | 2 | Hinge Pin Rod S/S 1/4 X |
| K1 | 8 | | 1 | Screw 2-56 X1 Panhead Philip |
| K1 | 9 | | 1 | Nut. Finish 2-56 Thread Zp |
| | 10 | 1280 | 1 | Elbow 90 Deg 1/4 Fpt X 1/4 F |
| K1 | 11 | | 3 | Bolt 1/4 X 20 6l Full Threa |
| | 12 | 2013 | 1 | Gasket 1 Side Adhesive 5-1/2 O |
| | 13 | 2092 | 2 | Wheel 12"X1" Black On Gray 1/2" Axle |
| K1 | 14 | | 5 | Scr- Hex SS 1/4-20 X .75 |
| K1 | 15 | | 8 | Scr. Hex Hd Loc |
| | 16 | 56009005 | 6 | Scr. Pan Phil Ss Type AB 10-16 X .75 |
| | 17 | 56105341 | 1 | Base-100 PSI SC NOTE 1 |
| | | 56105243 | 1 | Base-100 PSI NOTE 2 |
| | [] | 56105258 | 1 | Harness-Main |
| | 19 | 56105370 | 2 | Wand Bracket |
| | 20 | 56105371 | 1 | Heater 1100w 120V NOTE 1 |
| | | 56105372 | 1 | Heater 1750w 120V NOTE 2 |
| | 21 | 56105398 | 1 | Hose 3/8 Id Red |
| | 22 | 56105399 | 1 | Hose 3/8 Id Red |
| | 23 | 56105407 | 1 | Gasket-Poron 1/4x1/2x16.5 |
| | 24 | 56105408 | 1 | Gasket-Poron 1/4x1/2x63.5 |
| | 25 | 56105262 | 1 | Power Cord Pigtail-Yellow |
| K2 | 26 | | 3 | Term .250 Ins Tab |
| | 27 | 56463650 | 1 | Handle Grab |

| Kit | Item | Ref. No. | Qty | Description |
|-----|------|----------|-----|---|
| | 28 | 56471194 | 1 | Latch Assembly |
| K2 | 29 | | 2 | Hose Barb Nylon 90 3/8 X 3/8 |
| K1 | 30 | | 3 | Washer 1 Od X 9/16 Id X |
| | 31 | 116A | 1 | Bushing 3/4 X 9/16 |
| | 32 | 156USP | 1 | Hose Clamp-Size 28-1-9/16- 2 1/2 |
| | 33 | 166USP | 4 | Hose Clamp-SS-3/8-7/8 |
| | 34 | 198USP | 1 | Hose Clamp 48 3-1/2dia 9 |
| | 35 | 27AUSP | 2 | Axel Cap Black Pal Nut |
| K1 | 36 | | 1 | Washer Brass Half Hard 1 X |
| K1 | 37 | | 2 | Bolt-Php-SS-8-32x1/2 |
| | 38 | 56105255 | 1 | Vacuum Motor, 3-Stage, 5.7 |
| | | 56113056 | 1 | Vac Motor Brush Kit-120V (for 56105255) |
| | 39 | 430A | 1 | Vac Hose 2" ID X 13.5 Black Rubber |
| | 40 | 4404C | 1 | Tank Mate Bar |
| | 41 | 455USP | 1 | Mount Heat Exchanger |
| | 42 | 459USP | 1 | Louwer 2-1/2 Gray Plastic |
| | 43 | 45USP | 1 | Quick Disconnect Plug Male |
| K2 | 44 | | 1 | Pump 100 PSI |
| | 45 | 905USP | 2 | Caster Swivel 4 Gray Non Ma |
| | 46 | 910-1863 | 1 | Axel Rod Zinc Plated 1/2 Ro |
| | 47 | 92AUSP | 1 | Nipple Stainless Steel 1/4 Pip |
| | 48 | MA-6 | 1 | Manifold For Cobra Black |
| | 49 | 56105263 | 1 | Power Cord Pigtail-Red NOTE 2 |
| | 50 | 1312 | 3 | Mounting Pad |
| | 51 | 35 | 3 | Tie 4 Black Weather Resis |
| | 52 | 16 | 4 | Nut Nylon Lock 6/32 Z.P. NOTE 4 |
| | 53 | 56002431 | 4 | Wsh Flt SAE 4 NOTE 4 |
| | 54 | 56183523 | 2 | Terminal Block NOTE 3 |
| | 55 | 56002857 | 4 | Scr Pan Phil 6-32 X .88 NOTE 4 |
| | [] | SUBSYP1 | 1 | Syphon-Hose-HHP-12 |
| | [] | 2154 | 2 | Power Cord 12/3 SJTW 25 Y NOTE 3 |

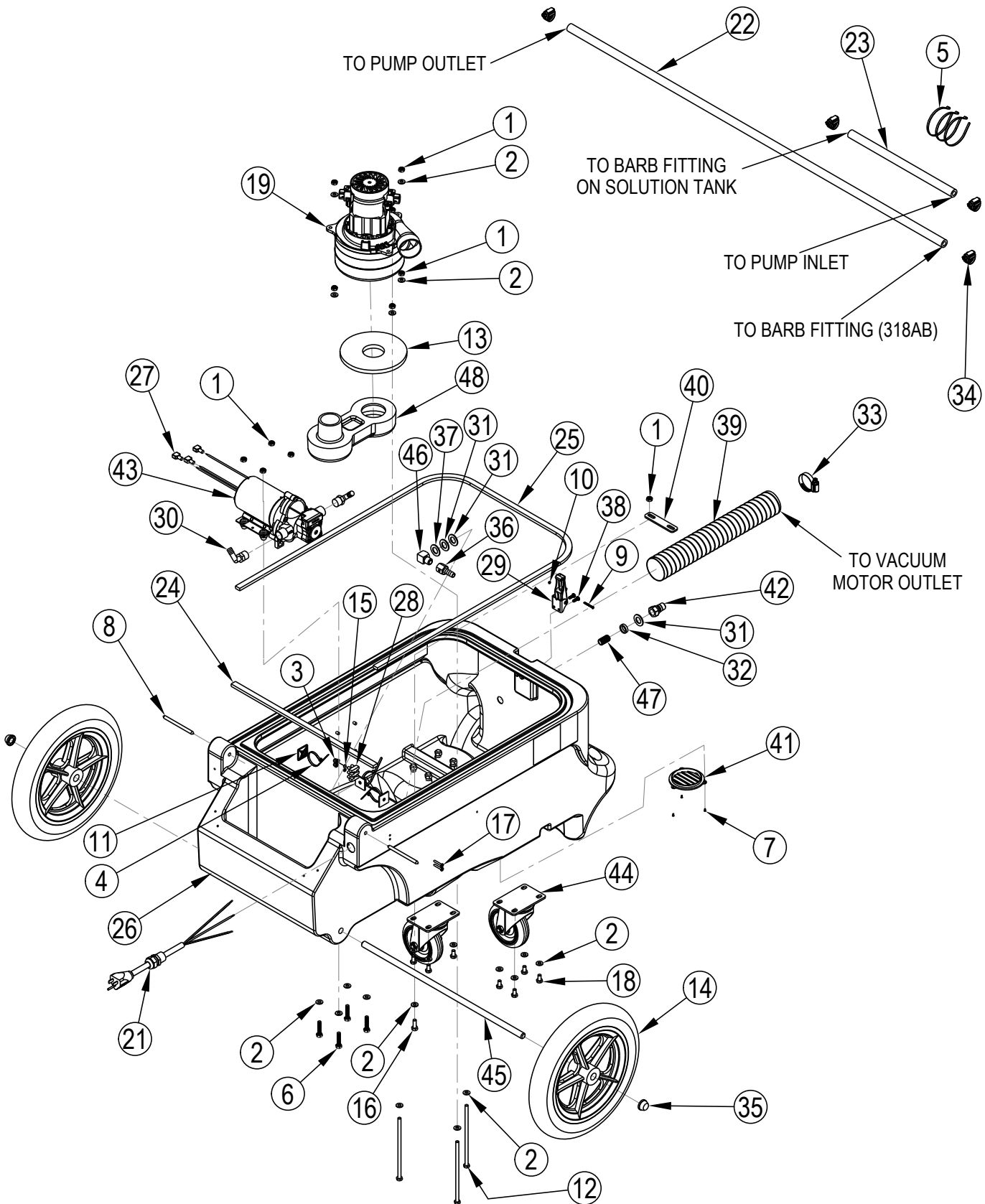
Service Kits

| | | | |
|-----|----------|---|---|
| K1 | 56105216 | 1 | Kit-Hardware Base |
| K2 | 56105217 | 1 | Kit-Pump Complete 100PSI |
| [] | FP256 | 1 | Repair Kit Heat Bi-Metallic NOTE 2 |
| [] | FP256B | 1 | Repair Kit Heat Bi-Metallic NOTE 1 |

[] = Not Shown

NOTE 1: Only used on 100SC (model 56105290)**NOTE 2:** Only used on 100H (model 56105289)**NOTE 3:** Qty of 1 used on 100SC (model 56105290)**NOTE 4:** Qty of 2 used on 100SC (model 56105290)

BASE SYSTEM COLD



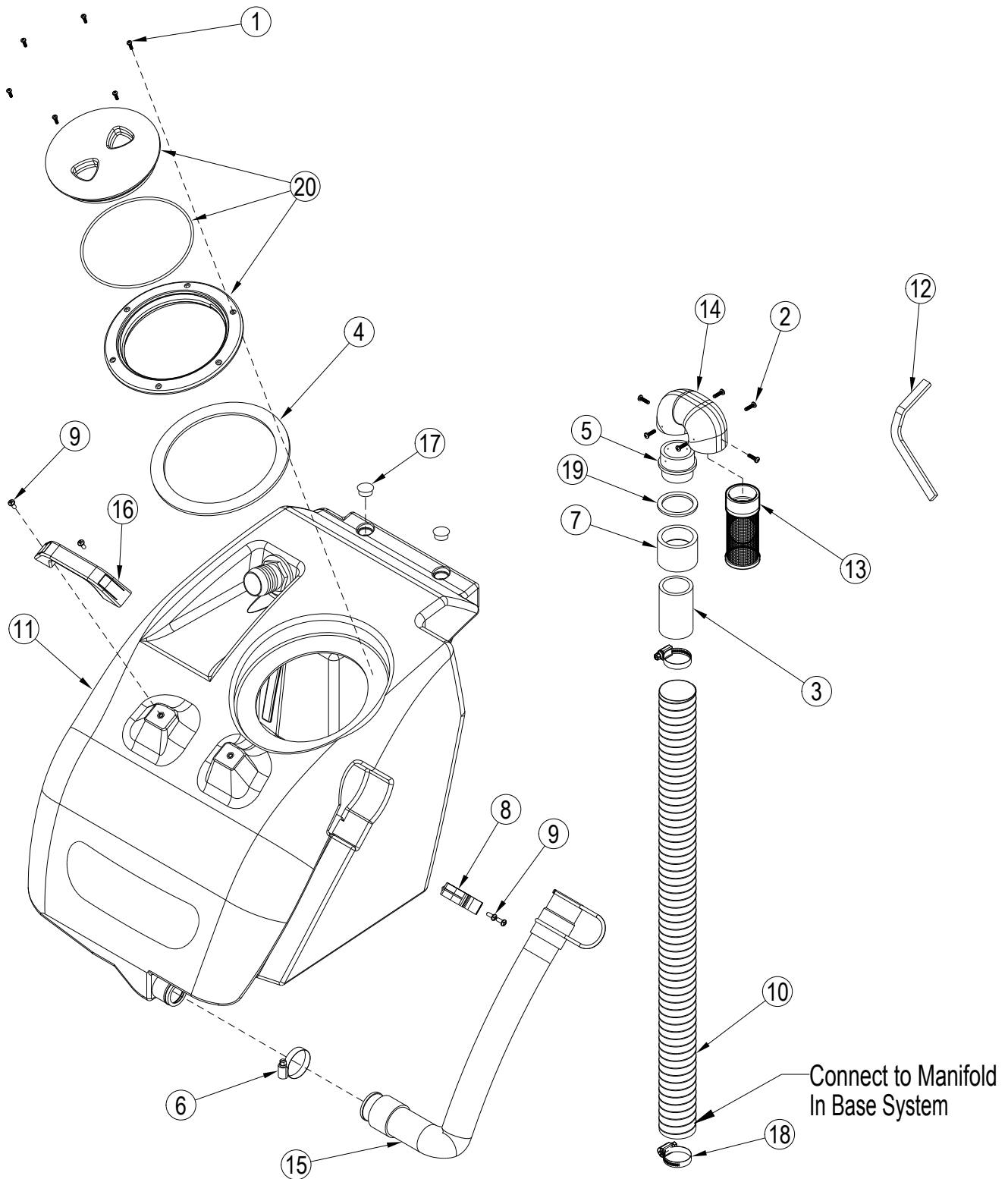
BASE SYSTEM COLD

| Kit | Item | Ref. No. | Qty | Description |
|-----|------|----------|-----|---------------------------------------|
| K1 | 1 | | 11 | Nut Nylock 1/4 -20 Zinc Pla |
| K1 | 2 | | 22 | Washer Flat 3/16 Zinc Plat |
| | 3 | 16 | 2 | Nut Nylon Lock 6/32 Z.P. |
| | 4 | 35 | 3 | Tie 4 Black Weather Resis |
| | 5 | 79 | 3 | Tie, 8" Black |
| K1 | 6 | | 4 | Bolt-Hex-SS-Zinc Plate-1/4-20 x 1-1/4 |
| K1 | 7 | | 3 | Screw-Fhp-SS-2 x 1/4-Sms |
| | 8 | 801 | 2 | Hinge Pin Rod S/S 1/4 X |
| K1 | 9 | | 1 | Screw 2-56 X1 Panhead Philip |
| K1 | 10 | | 1 | Nut. Finish 2-56 Thread Zp |
| | 11 | 1312 | 3 | Mounting Pad |
| K1 | 12 | | 3 | Bolt 1/4 X 20 6l Full Threa |
| | 13 | 2013 | 1 | Gasket 1 Side Adhesive 5-1/2 O |
| | 14 | 2092 | 2 | Wheel 12"X1" Black On Gray 1/2" Axle |
| | 15 | 56002431 | 2 | Wsh, Fit SAE #4 |
| K1 | 16 | | 1 | Scr- Hex SS 1/4-20 X .75 |
| | 17 | 56002857 | 2 | Scr-Pan Phil 6-32 X .88 |
| K1 | 18 | | 8 | Scr-Hex Hd Loc 1/4-20 x .50 |
| | 19 | 56105255 | 1 | Vac Motor-13A-120V-3 Stage |
| | [] | 56105258 | 1 | Harness-Main |
| | 21 | 56105262 | 1 | Power Cord Pigtail-Yellow |
| | 22 | 56105398 | 1 | Hose 3/8 ID Red |
| | 23 | 56105399 | 1 | Hose 3/8 ID Red |
| | 24 | 56105407 | 1 | Gasket-Poron 1/4 x 1/2 x 16.5 |
| | 25 | 56105408 | 1 | Gasket-Poron 1/4 x 1/2 x 63.5 |
| | 26 | 56105456 | 1 | Base-Clarke-100C |
| K2 | 27 | | 3 | Term .250 Ins Tab |

| Kit | Item | Ref. No. | Qty | Description |
|---------------------|----------|----------|-----|------------------------------------|
| | 28 | 56183523 | 1 | Terminal Block |
| | 29 | 56471194 | 1 | Latch Assembly |
| K2 | 30 | | 2 | Hose Barb Nylon 90 3/8 x 3/8 |
| K1 | 31 | | 3 | Washer Fiber 1 x 9/16 x 1/16 |
| | 32 | 116A | 1 | Bushing 3/4 X 9/16 |
| | 33 | 156USP | 1 | Hose Clamp-Size 28-1-9/16- 2 1/2 |
| | 34 | 166USP | 4 | Hose Clamp 3/8-7/8 |
| | 35 | 27AUSP | 2 | Axel Cap Black Pal Nut |
| | 36 | 318AB | 1 | Hose Barb Solution Tank Standard |
| K1 | 37 | | 1 | Washer Brass Half Hard 1 X |
| K1 | 38 | | 2 | Bolt 8-32 X 1/2 Pan Head |
| | 39 | 430A | 1 | Vac Hose 2" ID X 13.5 Black Rubber |
| | 40 | 4404C | 1 | Tank Mate Bar |
| | 41 | 459USP | 1 | Louver 2-1/2 Gray Plastic |
| | 42 | 45USP | 1 | Quick Disconnect Plug 1/4 NPT |
| K2 | 43 | | 1 | Pump 100 PSI |
| | 44 | 905USP | 2 | Caster Swivel 4 Gray Non Ma |
| | 45 | 910-1863 | 1 | Axel Rod Zinc Plated 1/2 Ro |
| | 46 | 91USP | 1 | Elbow 90 Deg Angle 1/4 Male |
| | 47 | 92AUSP | 1 | Nipple Stainless Steel 1/4 Pip |
| | 48 | MA-6 | 1 | Manifold For Cobra Black |
| | [] | SUBSYP1 | 1 | Syphon-Hose-HHP-12 |
| | [] | 2154 | 2 | Power Cord 12/3 SJTW 25 Y |
| Service Kits | | | | |
| K1 | 56105216 | | 1 | Kit-Hardware Base |
| K2 | 56105217 | | 1 | Kit-Pump Complete 100PSI |

[] = Not Shown

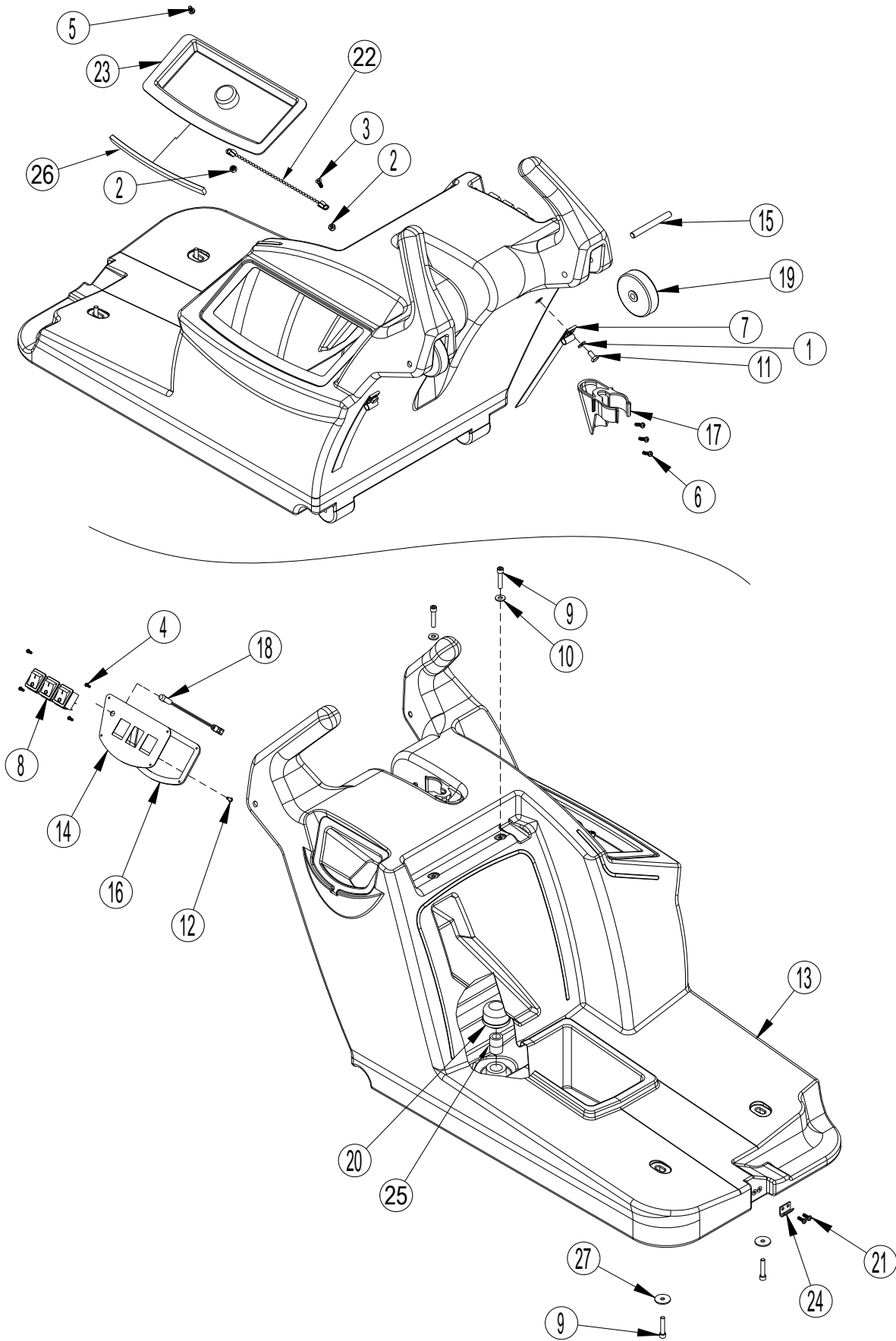
RECOVERY SYSTEM



RECOVERY SYSTEM

| Kit | Item | Ref. No. | Qty | Description |
|---------------------|----------|----------|------|--|
| K1 | 1 | | 6 | Screw-Php-Ss-6x1/2-Sms |
| K2 | 2 | | 6 | Screw H-Low 8 x 3/8 PA |
| | 3 | 935 | 3 IN | PVC Pipe 1-1/2 Sch 40 (3 in.) |
| K1 | 4 | | 1 | Gasket-Lid-Xlpe-6.5idx3/16 Thick |
| K2 | 5 | | 1 | Adapter Abs 1-1/2 Trap Sl |
| | 6 | 1518 | 1 | Hose Clamp 3/4 X 1 3/4 Ss |
| | 7 | 1528 | 1 | Adapter Female 1 1/2 |
| | 8 | 56392171 | 1 | Clamp, Plastic |
| | 9 | 56001993 | 4 | Scr-Pan Phil 10-24 X .50 |
| | 10 | 56105241 | 1 | Vac Hose-2.0 Id X 30.00 In |
| | 11 | 56105448 | 1 | Recovery Tank-Blue |
| | 12 | 56105363 | 1 | Gasket |
| K2 | 13 | | 1 | Filter S/S Ball Float |
| K2 | 14 | | 1 | Manifold-Ball Float |
| | 15 | 56113125 | 1 | Drain Hose |
| | | 56113126 | 1 | Replacement Drain Hose Cap (for use on 56113125) |
| | 16 | 56463650 | 1 | Handle Grab |
| | 17 | 56900041 | 2 | Plug, Cap |
| | 18 | 156USP | 2 | Hose Clamp-Size 28-1-9/16- 2 1/2 |
| K2 | 19 | | 1 | Washer Flat 1-3/4 Id X 2-1 |
| K1 | 20 | | 1 | Lid-Clear With Ring |
| | | 56383436 | 1 | O-Ring for 56383435 Lid |
| Service Kits | | | | |
| K1 | 56105214 | | 1 | Lid Kit-Recovery Tank |
| K2 | 56105237 | | 1 | Kit-Ball Float Assy |

SOLUTION SYSTEM



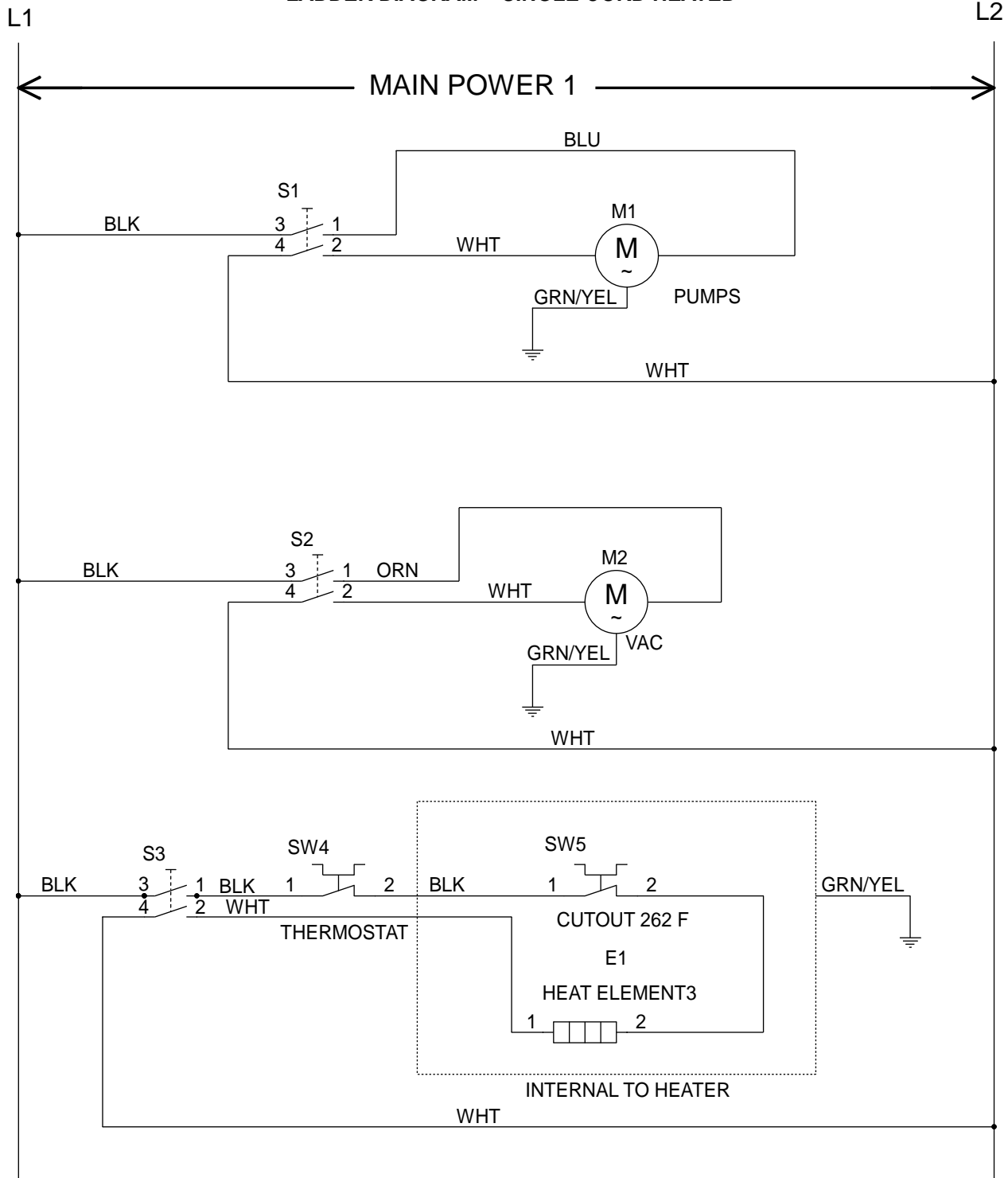
SOLUTION SYSTEM

| Item | Ref. No. | Qty | Description |
|--------------------|----------|----------|--|
| K1 | 1 | 2 | Washer Flat 3/16 Zinc Plat |
| K1 | 2 | 2 | Nut-Nylon Lock-SS-10-32 |
| K1 | 3 | 1 | Fhp-10-32 5-8 |
| K1 | 4 | 4 | Screw-Php-SS-4x3/8-Sms |
| K1 | 5 | 1 | Screw-Bhs-Brass-10-32 x 3/8-MS |
| K1 | 6 | 3 | Screw-Ph-Combo-Tapping-8 x 5/8 Ab |
| | 7 | 1603 | 2 Strap/Buckle Cord Wrap W/Spur |
| | 8 | 1644 | 3 Switch Rocker Dpst On/Off 20 NOTE 1 |
| K1 | 9 | 4 | Screw 1/4-20 X 1-1/4" Allen Head SS |
| K1 | 10 | 2 | Wsh-Flt SAE SS 1/4 |
| K1 | 11 | 2 | Scr. Hex Hd Loc |
| K1 | 12 | 1 | Scr-Pan Phil 6-32 X .31 |
| | 13 | 56105444 | 1 Solution Tank-Blue |
| | 14 | 56105361 | 1 Switchplate NOTE 3 100H |
| | | 56105440 | 1 Switchplate NOTE 4 100C |
| | | 56105385 | 1 Switchplate NOTE 5 100SC |
| | 15 | 56105362 | 2 Wheel Axle |
| | 16 | 56105397 | 1 Gasket Switchplate |
| | 17 | 56113020 | 1 Wand Clip |
| | 18 | 56113091 | 1 Light Green 250v Assy NOTE 3 |
| | 19 | 56324499 | 2 Wheel 3.00 |
| | 20 | 207A | 1 Filter 40 Mesh S/S 1/2NPT Fem |
| K1 | 21 | 2 | Bolt-Php-SS-8-32x1/2 |
| | 22 | 805USP | 1 Chain-Cover |
| | 23 | 901A | 1 Lid-Tank-Sol |
| | 24 | 909A | 1 Latch-Strike-SS-No 8 Hole |
| | 25 | 92BUSP | 1 Nipple PVC 1/2 N.P.T. |
| | 26 | 56105363 | 1 Gasket |
| K1 | 27 | 2 | Wsh,Flt SS .260 x 1.000 x .074 |
| | [] | 56105204 | 1 Jumper Wire WHT for 100SC NOTE 2 |
| | [] | 56105205 | 1 Jumper Wire BLK for 100SC NOTE 2 |
| Service Kit | | | |
| K1 | 56105225 | 1 | Kit-Hardware Solution Tank |

[] = Not Shown

NOTE 1: Quantity is 2 on 100C (model 56105288)**NOTE 2:** Only used on 100SC and 100 C (models 56105290 & 56105288)**NOTE 3:** Only used on 100H (model 56105289)**NOTE 4:** Only used on 100C (model 56105288)**NOTE 5:** Only used on 100SC (model 56105290)

LADDER DIAGRAM – SINGLE CORD HEATED



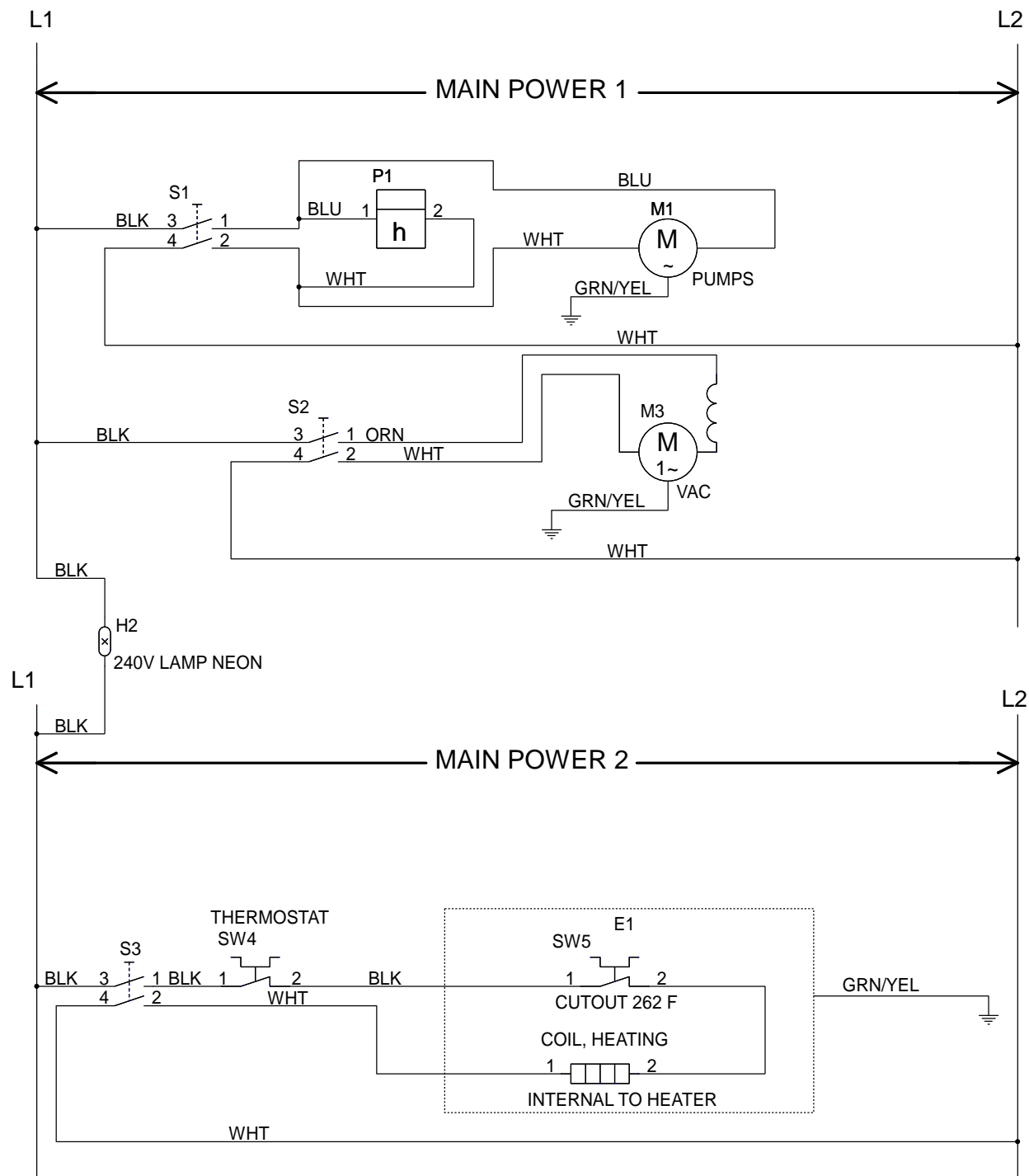
Kit Item Ref. No. Qty Description

| | | | |
|----|----------|---|---|
| E1 | 56105371 | 1 | Heater 1100w 120V |
| M1 | 56105217 | 1 | Kit-Pump Complete 100PSI |
| M2 | 56105255 | 1 | Vacuum Motor, 3-Stage, 5.7 |
| | 56113056 | 1 | Vac Motor Brush Kit-120V (for 56105255) |
| S1 | 1644 | 1 | Switch Rocker Dpst On/Off 20A 125-250vac ul |
| S2 | 1644 | 1 | Switch Rocker Dpst On/Off 20A 125-250vac ul |
| S3 | 1644 | 1 | Switch Rocker Dpst On/Off 20A 125-250vac ul |
| K1 | SW4 | 1 | Thermostat (part of E1) |
| K1 | SW5 | 1 | Thermal Cut-Out 262 Deg (part of E1) |

| | | | |
|----|--------|---|-----------------------------|
| | | | Service Kit |
| K1 | FP256B | 1 | Repair Kit Heat Bi-Metallic |

- BLK = Black
- BLU = Blue
- GRN = Green
- ORN = Orange
- WHT = White
- YEL = Yellow

LADDER DIAGRAM – DUAL CORD HEATED



| Kit Item | Ref. No. | Qty | Description |
|----------|----------|-----|-------------|
|----------|----------|-----|-------------|

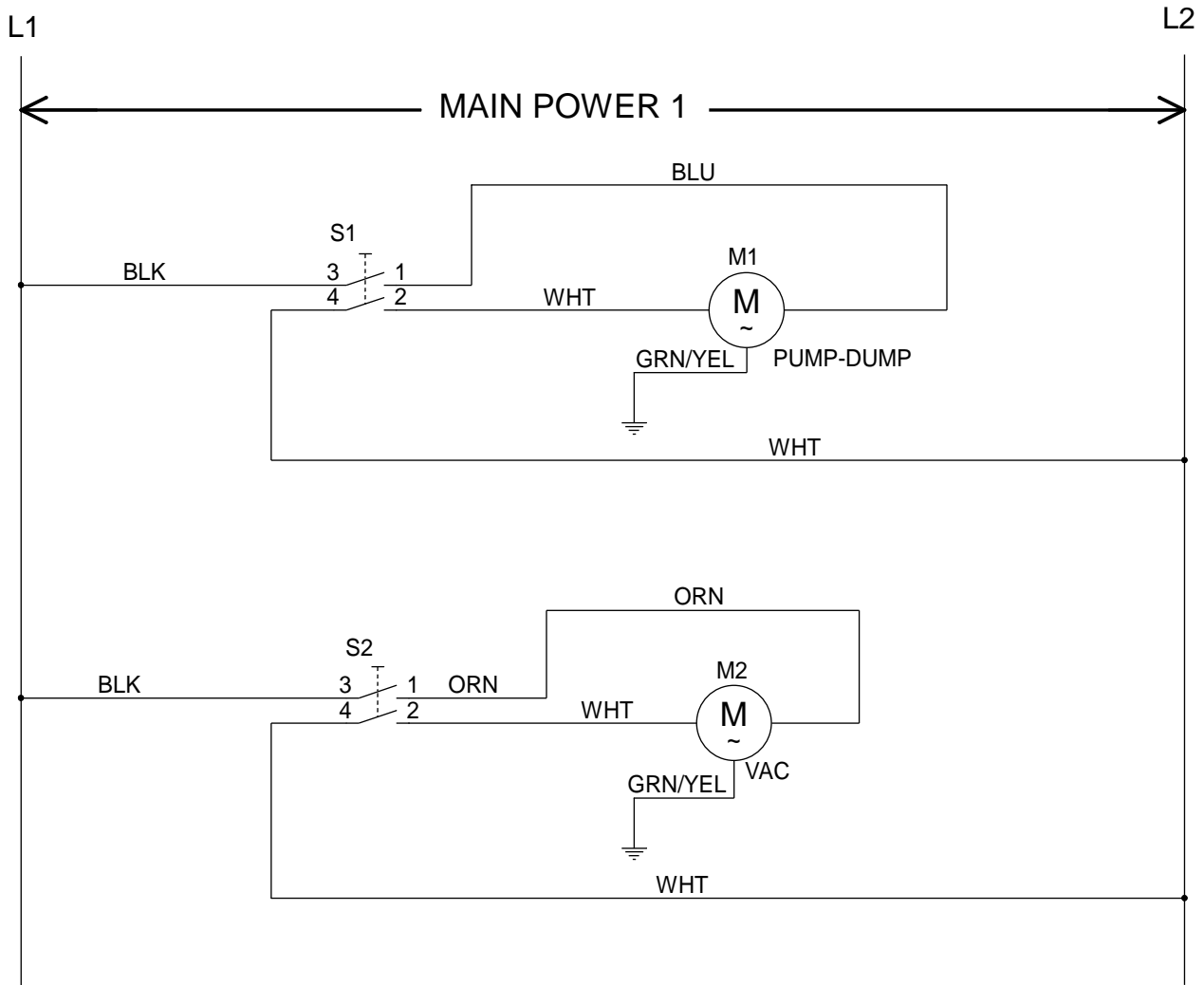
| | | | |
|----|-------------|---|---|
| E1 | 56105372 | 1 | Heater 1750w 120V |
| H2 | 56113091 | 1 | Light Green 250v Assy |
| M1 | 56105217 | 1 | Kit-Pump Complete 100PSI |
| M3 | 56105255 | 1 | Vacuum Motor, 3-Stage, 5.7 |
| | 56113056 | 1 | Vac Motor Brush Kit-120V (for 56105255) |
| P1 | 423-120-240 | 1 | Hour Meter (optional) |
| S1 | 1644 | 1 | Switch Rocker Dpst On/Off 20A 125-250vac ul |
| S2 | 1644 | 1 | Switch Rocker Dpst On/Off 20A 125-250vac ul |
| S3 | 1644 | 1 | Switch Rocker Dpst On/Off 20A 125-250vac ul |
| K1 | SW4 | 1 | Thermostat (part of E1) |
| K1 | SW5 | 1 | Thermal Cut-Out 262 Deg (part of E1) |

Service Kit

| | | | |
|----|-------|---|-----------------------------|
| K1 | FP256 | 1 | Repair Kit Heat Bi-Metallic |
|----|-------|---|-----------------------------|

BLK = Black
 BLU = Blue
 GRN = Green
 ORN = Orange
 WHT = White
 YEL = Yellow

LADDER DIAGRAM – SINGLE CORD COLD



Kit Item Ref. No. Qty Description

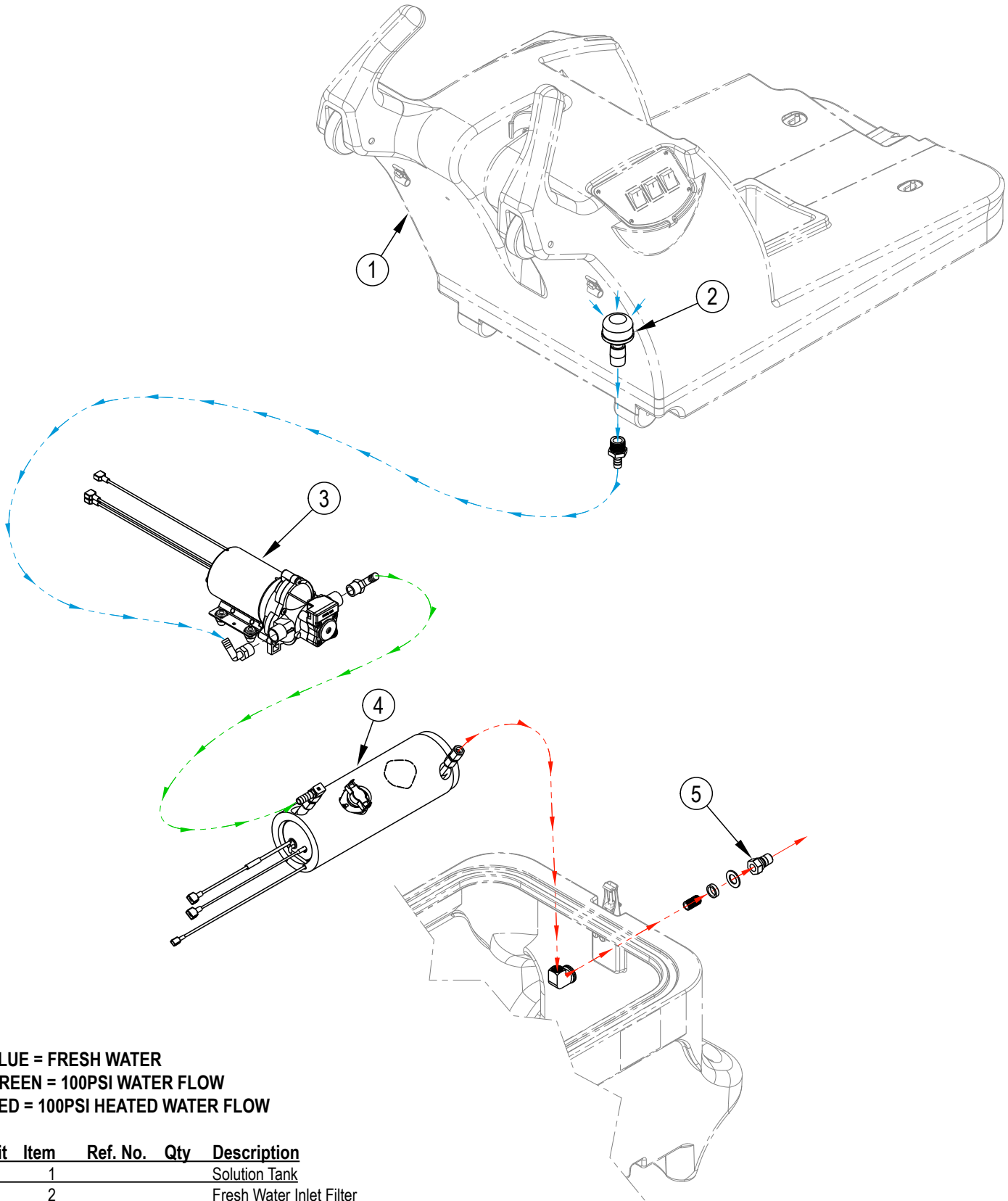
| | | | |
|----|----------|---|---|
| M1 | 56105217 | 1 | Kit-Pump Complete 100PSI |
| M3 | 56105255 | 1 | Vacuum Motor, 3-Stage, 5.7 |
| | 56113056 | 1 | Vac Motor Brush Kit-120V (for 56105255) |
| S1 | 1644 | 1 | Switch Rocker Dpst On/Off 20A 125-250vac ul |
| S2 | 1644 | 1 | Switch Rocker Dpst On/Off 20A 125-250vac ul |

BLK = Black
 BLU = Blue
 GRN = Green
 ORN = Orange
 WHT = White
 YEL = Yellow

OPTIONS & ACCESSORIES

| Kit | Item | Ref. No. | Qty | Description |
|------------|-------------|-----------------|------------|---|
| | | 56113108 | 1 | Kit-Hour Meter 120/240 (can only be used on 100H) |
| | | FPHT-5 | 1 | Hand Tool Detailer S/S |
| | | FP153 | 1 | Vac Hose/Pressure LN 15 Extr |
| | | 56044706 | 1 | Literature Pack |
| | | FP195 | 1 | Vac Hose/Pressure Line 25' 1/8 |
| | | FP196 | 1 | Vac Hose/Pressure Line 25' Extension |
| | | CSW-12 | 1 | Carpet Scrub Wand 12 Head-Lp |
| | | CSW-12HP | 1 | Carpet Scrub Wand 12 Head Doub |
| | | 56380572 | 1 | Aquawand Carpet Scrub Wand 13 |

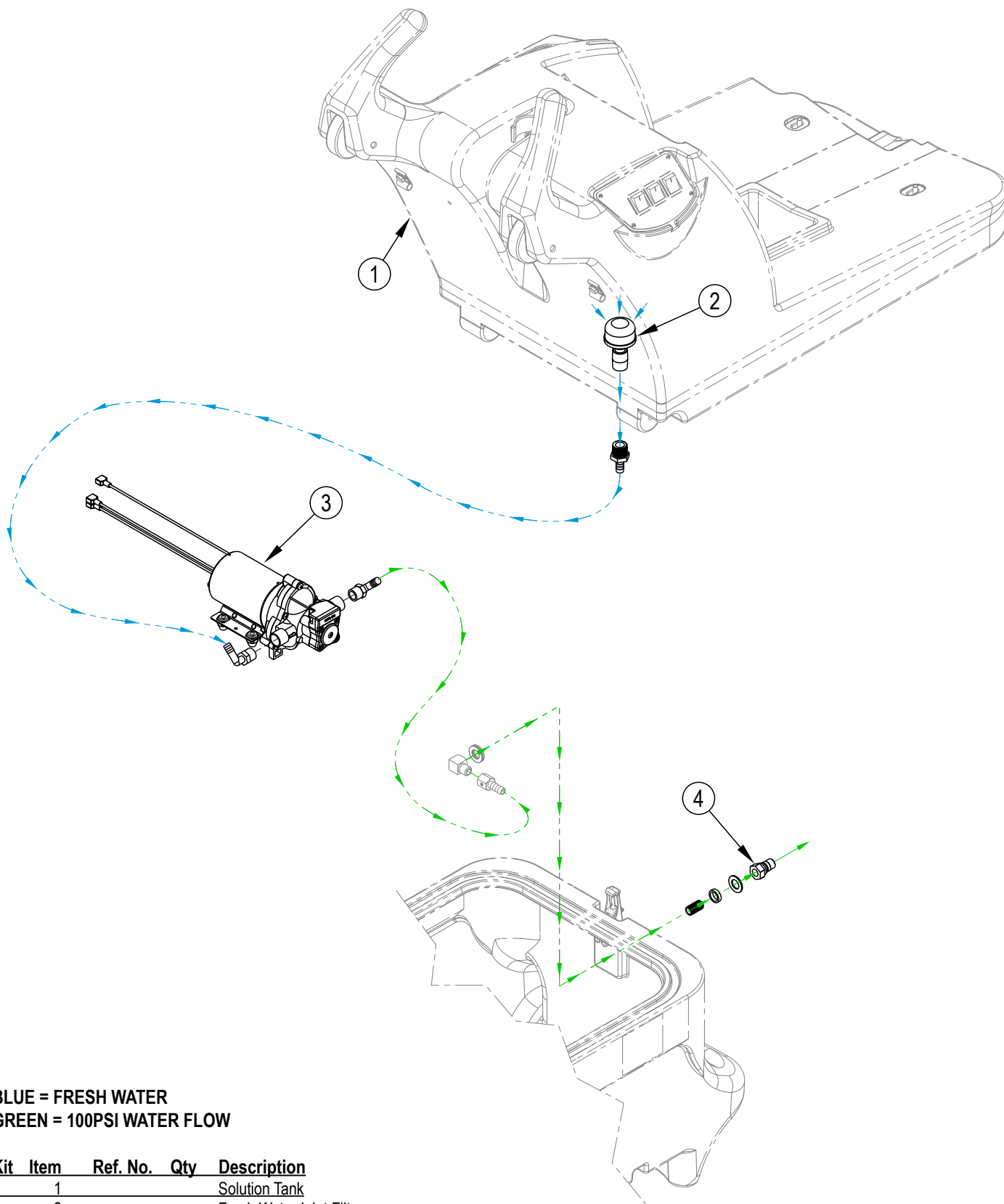
WATER FLOW DIAGRAM HEATED



BLUE = FRESH WATER
GREEN = 100PSI WATER FLOW
RED = 100PSI HEATED WATER FLOW

| Kit | Item | Ref. No. | Qty | Description |
|-----|------|----------|-----|--------------------------|
| | 1 | | | Solution Tank |
| | 2 | | | Fresh Water Inlet Filter |
| | 3 | | | 100PSI Pump |
| | 4 | | | Heat Exchanger |
| | 5 | | | 100PSI Quick Connect |

WATER FLOW DIAGRAM COLD



BLUE = FRESH WATER
GREEN = 100PSI WATER FLOW

| Kit | Item | Ref. No. | Qty | Description |
|-----|------|----------|-----|--------------------------|
| | 1 | | | Solution Tank |
| | 2 | | | Fresh Water Inlet Filter |
| | 3 | | | 100PSI Pump |
| | 4 | | | 100PSI Quick Connect |

Clarke[®]

14600 21st Avenue North
Plymouth, MN 55447-3408

www.clarkeus.com

Phone: 800-253-0367

Fax: 800-825-2753

©2015 Nilfisk-Advance, Inc.

A Nilfisk-Advance Brand